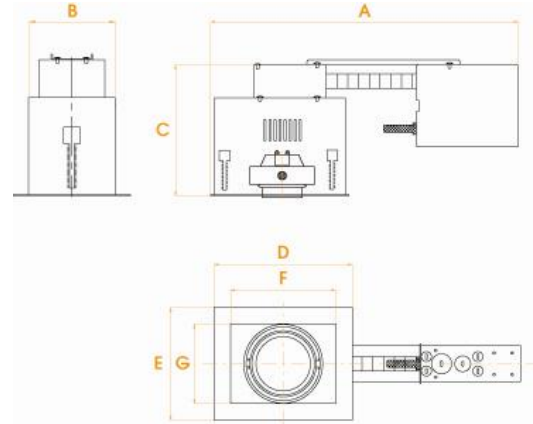




# MGRP20-1E-xx

LOW VOLTAGE MODULINEAR  
DOUBLE GIMBAL

Type	
Project	
Catalog No.	



### CATALOG INFORMATION

MODEL	LAMP	# LAMPS	TRANSFORMER	FINISH*
MGR	P20 – PAR20	1 – 1-Linear	E – Electronic	BB – Black Trim / Black Gimbal / Black Interior SB – Silver Trim / Black Gimbal / Black Interior WB – White Trim / Black Gimbal / Black Interior

Ordering Instructions Example:

MODEL	LAMP	# LAMPS	TRANSFORMER	-	FINISH
MGR	P20	1	E	-	BB

\* Custom Silver and White Gimbal / Interior available (consult factory)

### DIMENSIONS

HOUSING			TRIM		APERTURE		CUT-OUT	
L	W	H	L	W	L	W	L	W
A	B	C	F	G	H	I		
16-7/8"	5"	7-1/4"	7-3/4"	6-3/8"	5-3/4"	4-3/8"	7-3/4"	5-1/8"

### DESCRIPTION

- Remodel 1-Light Linear recessed fixture comprised of separate housing and trim. Trim design allows use in ceilings up to 2" thick. No IC, must maintain 3" clearance from any insulation on all sides.

#### HOUSING:

3/4" overlap flanges combined with "pull-tight" torsion springs allows forgiveness in minor dry wall cutting errors.

#### MOUNTING:

Designed to be installed with overlap flange trim. Universal mounting brackets allow the use of conduit, HB or FB bar stock, or "C" channel bars. May be used as trimless for "mud in" installation.

#### AIMING:

Vertical: Inner Ring 40° - Outer Ring 45°

#### LAMPING:

Use (1) PAR20, 120V 50W maximum. (Lamp not included).

#### LISTING:

UL & CUL Listed.



www.jescolighting.com  
support@jescolighting.com  
Tech Support: 855.592.0029

15 Harbor Park Drive  
Port Washington, NY 11050  
Main Line: 800.527.7796  
Fax Line: 855.265.5768

219 South 6<sup>th</sup> Ave  
City of Industry, CA 91746  
Main Line: 855.654.0110  
Fax Line: 626.333.2955

Rev 16  
8/7/2014

Specifications subject to change without notice.