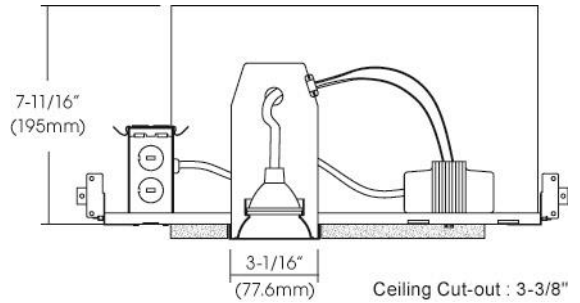




**LV3001ICA**

**RECESSED LIGHTING**  
3" APERTURE LOW VOLTAGE HOUSINGS

Type	
Project	
Catalog No.	



**COMPATIBLE TRIMS**

GENERAL ILLUMINATION				ACCENT		WALL WASH	WET LOCATIONS	
Baffle	Reflector	Slot	Glass	Gimbal	Eyeball		TM309*	TM315*
TM301	TM302	TM303	TM320	TM308	TM306	TM304		

Complete Fixture consists of Housing and Trim. Order separately. See trim specification sheet for details.  
\* 35W max.

**DESCRIPTION**

3" aperture low voltage recessed housing for general illumination, accent, wall wash and wet location. Designed for use in insulated ceiling and can be in direct contact with insulation. Air-Tight design prevents airflow through ceiling for further savings of heating and air conditioning costs.

**HOUSING:**

Double wall aluminum housing. 7-11/16" height allows for use in 2" x 8" joist. Adjustable for ceiling thickness up to 1-1/4".

**JUNCTION BOX**

UL Listed for a maximum of 8 12AWG through branch circuit conductors suitable for 90°C. (5) 1/2" knockouts with pry-out slots and (4) knockouts with integral cable clamps for attachment of nonmetallic Romex cable.

**MOUNTING FRAME**

Galvanized steel. 11-3/8"L x 15-3/8"W

**HANGER BARS**

Toolless adjustable from 12" to 24". Integral nails and T-bar clips.

**SOCKET**

Ceramic socket with aluminum heat shield for Bi Pin MR16 lamp.

**TRANSFORMER**

Magnetic 120V primary to 12V secondary 50W max. Access above ceiling required.

**THERMAL PROTECTOR**

Thermal protection device safe guard against overheating and improper installation.

**DIMMING**

Use only dimmers specifically designed for use with magnetic low voltage transformers. May be advertised as MLV, standard phase control or leading edge. May produce audible sound when used with dimmer.

**LABELS**

UL and cUL Listed to UL and CSA standards for IC applications in damp locations. Certified Air-Tight under ASTM E283.



www.jescolighting.com  
support@jescolighting.com  
Tech Support: 855.592.0029

15 Harbor Park Drive  
Port Washington, NY 11050  
Main Line: 800.527.7796  
Fax Line: 855.265.5768

219 South 6<sup>th</sup> Ave  
City of Industry, CA 91746  
Main Line: 855.654.0110  
Fax Line: 626.333.2955

Rev 9  
8/7/2014

Specifications subject to change without notice.