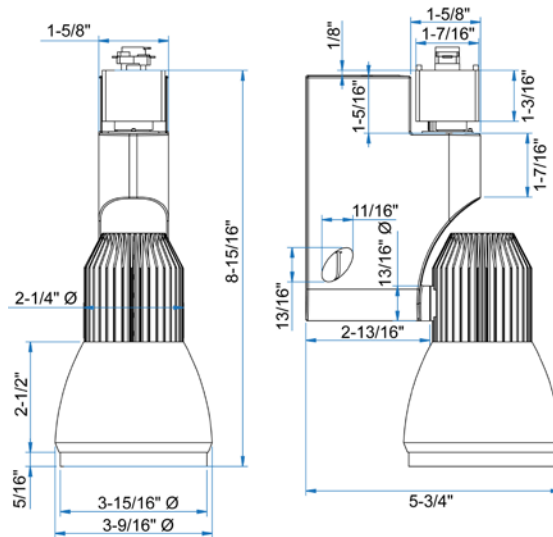
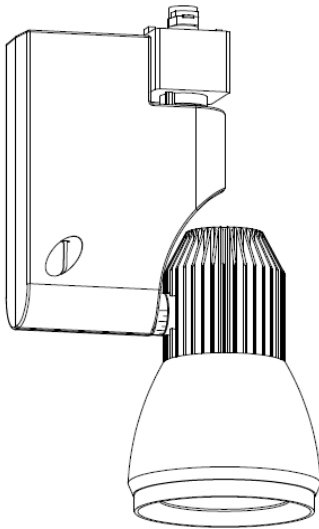




# L515

**LED TRACK HEAD**  
CONTEMPO SERIES

Type	
Project	
Catalog No.	



## DESCRIPTION

Line voltage LED track fixture suitable for retail, commercial and hospitality general lighting, accent and display applications.

### CONSTRUCTION

Complete die-cast aluminum construction.  
No exposed wiring.  
330° horizontal, ±90° vertical aim adjustment.  
Vertical aim indicator marks every 15°, lockable with 1.5mm hex key.

### MOUNTING

Provides electrical and mechanical connection to track or canopy.

### ELECTRICAL

Input 120VAC 50/60Hz  
Input Power 20W  
Efficacy 43 lm/W  
Power Factor >0.9  
Dimming 15% Use only electronic low voltage dimmer

#### Recommended Dimmers:

Lutron<sup>1</sup> – Diva DVELV-300P  
Lutron<sup>1</sup> – Maestro MAELV-600  
Lutron<sup>1</sup> – Skylark SELV-300P  
Lutron<sup>1</sup> – NovaT NTELV-300  
Leviton<sup>2</sup> – Illumatech IPE04  
Leviton<sup>2</sup> – Vizia VZE061LZ  
Leviton<sup>2</sup> – Sureslide 6615

### LED

CCT ANSI 3000K (within a 3-step MacAdam Ellipse)  
CRI 85 typical  
Optics Ordered Separately. Field Changeable.  
**RF-16C11552** Narrow (16°)  
**RF-40C11553** Wide (40°)

Holds up to 2 accessories

Passively cooled heat sink provides silent operation to yield over 70% lumen maintenance at 35,000 operation hours in 25°C (77°F) ambient.

### LABELS

cULus Listed

### WARRANTY

5 Years

## ORDERING INFORMATION

SYSTEM	SERIES	CCT	FINISH
H = Jesco H Track or Halo <sup>3</sup> Power Track	L515	30 – 3000K	B – Black
L = Jesco L Track or Lightolier <sup>4</sup> Lytespan 6000			W – White
J = Juno <sup>5</sup> Trac-Master			
	L515	30	

**Reflector Options** (Ordered Separately. Field Changeable)

**RF-16C11552** Narrow (16°)  
**RF-40C11553** Wide (40°)

#### Notes:

<sup>1</sup>Lutron is a registered trademark of Lutron Electronics, Inc.  
<sup>2</sup>Leviton is a registered trademark of Leviton Mfg. Co., Inc.  
<sup>3</sup>Halo is a registered trademark of Cooper Lighting.  
<sup>4</sup>Lightolier is a registered trademark of Philips Lighting.  
<sup>5</sup>Juno is a registered trademark of Juno Lighting.



www.jescolighting.com  
support@jescolighting.com  
Tech Support: 855.592.0029

6625 Traffic Ave  
Glendale, NY 11385  
Main Line: 800.527.7796  
Fax Line: 855.265.5768

219 South 6<sup>th</sup> Ave  
City of Industry, CA 91746  
Main Line: 855.654.0110  
Fax Line: 626.333.2955

Rev 4  
7/23/2013

Specifications subject to change without notice.

Page 1 of 2



**L515**

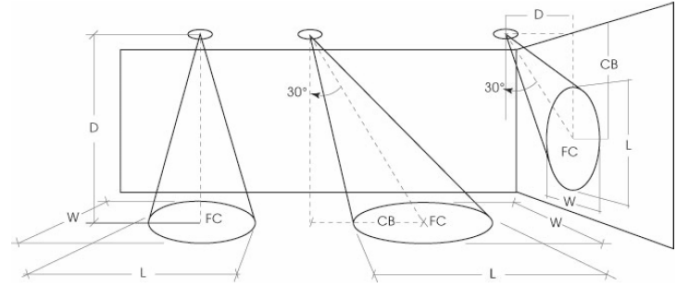
**LED TRACK HEAD  
CONTEMPO SERIES**

Type	
Project	
Catalog No.	

**APPLICATION DATA**

**Notes and Definitions:**

Beam spread is to 50% center beam candlepower (CBCP).  
 D = Distance to floor or wall.  
 FC = Footcandles on floor or wall at center beam aiming location.  
 L = Effective Visual Beam length in feet (50% of maximum footcandle level).  
 W = Effective Visual Beam width in feet (50% of maximum footcandle level).  
 CB = Distance across or down to center beam location.



	0° Aiming Angle Horizontal Footcandles				30° Aiming Angle Horizontal Footcandles					30° Aiming Angle Vertical Footcandles					60° Aiming Angle Vertical Footcandles				
	D	FC	L	W	D	FC	L	W	CB	D	FC	L	W	CB	D	FC	L	W	CB
NARROW 16° CBCP = 4301	5.0'	172	1.7	1.7	5.0'	112	2.3	1.9	2.9	3.0'	60	4.4	2.0	5.2	3.0'	310	1.4	1.2	1.7
	7.5'	76	2.5	2.5	7.5'	50	3.4	2.9	4.3	4.0'	34	5.8	2.7	6.9	4.0'	175	1.8	1.5	2.3
	10.0'	43	3.3	3.3	10.0'	28	4.5	3.9	5.8	5.0'	22	7.3	3.3	8.7	5.0'	112	2.3	1.9	2.9
	12.5'	28	4.2	4.2	12.5'	18	5.6	4.8	7.2	6.0'	15	8.8	4.0	10.4	6.0'	78	2.7	2.3	3.5
WIDE 40° CBCP = 2098	5.0'	84	3.0	3.0	5.0'	55	4.1	3.5	2.9	3.0'	29	9.8	3.6	5.2	3.0'	151	2.5	2.1	1.7
	7.5'	37	4.5	4.5	7.5'	24	6.2	5.2	4.3	4.0'	16	13.1	4.8	6.9	4.0'	85	3.3	2.8	2.3
	10.0'	21	6.0	6.0	10.0'	14	8.2	6.9	5.8	5.0'	10	16.3	6.0	8.7	5.0'	55	4.1	3.5	2.9
	12.5'	13	7.5	7.5	12.5'	9	10.3	8.6	7.2	6.0'	7	19.6	7.2	10.4	6.0'	38	4.8	4.1	3.5