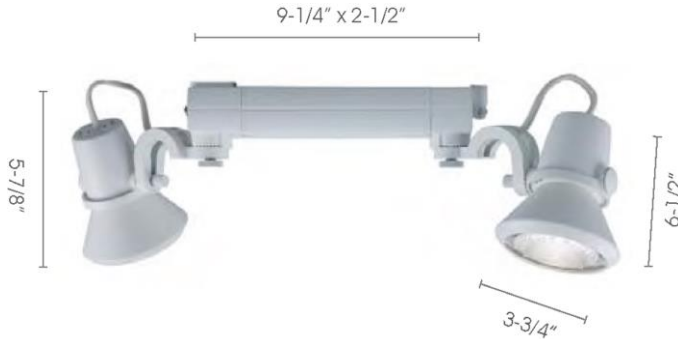




HV904 • PAR20 (2)

TRACK LIGHTING
LINE VOLTAGE • CONTEMPO SERIES

Type	
Project	
Catalog No.	



TRACK SYSTEMS



H – 3-wire System



L – 2-wire System



J – 2-wire System

CATALOG INFORMATION

SYSTEM	SERIES	LAMP	WATTAGE	FINISH
H	HV904	P20 – PAR20 (2)	50 – 50W (2)	B – Black
L				W – White
J				S – Silver Gray

Ordering Instructions

Example: SYSTEM - SERIES - LAMP - FINISH

Example: - - -

DESCRIPTION

- Line voltage track head. Aluminum die cast construction with twin head, curved yoke and gimbal style.
- Thumb-screw secures aiming angles.
- For use with Jesco H, L and J track systems. May also be used with other compatible track brands (consult Tech Department).

LAMPING:

Use (2) PAR20, 120V 50W maximum per lamp. (Lamp not included).
Medium base ceramic socket with aluminum shell.

AIMING:

200° vertical and 180° rotation.

MATERIALS:

Aluminum die cast construction.

LISTINGS:

UL & CUL listed.

MATCHING FIXTURES



HV914 P20



HV904 P30/38



MH904 P20/30/38