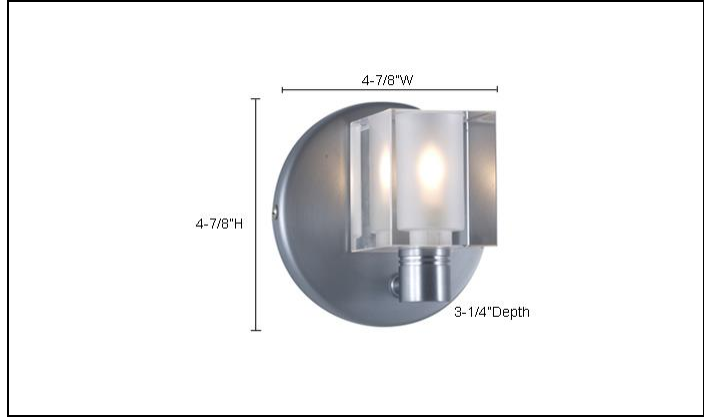
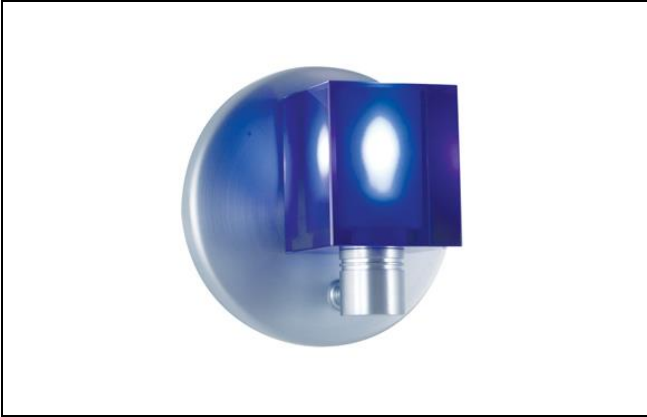




WS 292 • CUBE

ENVISAGE
COMPANION WALL SCONCES

Type	
Project	
Catalog No.	



CATALOG INFORMATION

MODEL	SHADE FINISH	HARDWARE FINISH
WS 292 CUBE	CB – Cobalt CR – Crystal	SN – Satin Nickel

Ordering Instructions **MODEL** - **SHADE** - **HARDWARE FINISH**
 Example: - -

DESCRIPTION

- Crystal Cube Shade Wall Sconce.
- ADA Compliant.
- Dimensions: 4-7/8”H x 4-7/8”W x 3-1/4”D

LAMP:
 (1) G9 120V 40W (included).