



# PDSSE26-01

Line Voltage Socket Set  
Installation and Field Shortening instructions



## IMPORTANT SAFETY INSTRUCTIONS



Please read and save these instructions. Read carefully before using product. Protect yourself and others by observing all safety information, warnings and cautions. Failure to comply with instructions could result in personal injury and/or damage to product or property. Please retain instruction sheet for future reference.

### READ AND FOLLOW ALL SAFETY INSTRUCTIONS

1. Read completely before beginning. If you feel you do not have adequate electrical wiring experience, have this installed by a qualified licensed electrician.
2. All electrical connections must be in accordance with local codes, ordinances and the National Electric Code.
3. This product operates on 120 VAC; always confirm the maximum wattage of the socket set does not exceed the maximum wattage of the circuit it is connected to.
4. If you are unfamiliar with methods of installing electrical wiring, secure the services of a qualified licensed electrician.
5. Suitable for DRY and DAMP Locations
6. Save these installation instructions and refer to them when modifications or lamp replacements are made.

### CAUTION-RISK OF FIRE

**MAXIMUM WATTAGE AS MARKED ON LUMINAIRE MUST NOT BE EXCEEDED**



#### TURN OFF ELECTRICITY

at main fuse box (or circuit breaker box) before beginning installation by switching circuit breaker off or removing fuse.

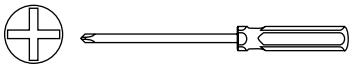
MIN 90° C SUPPLY CONDUCTORS.



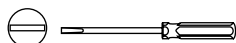
#### CONSULT A QUALIFIED ELECTRICIAN TO ENSURE CORRECT BRANCH CIRCUIT

RATED 120VOLT AC

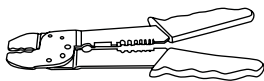
#### TOOLS REQUIRED



PHILLIPS SCREWDRIVER



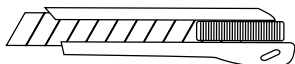
MINI FLATHEAD SCREWDRIVER



WIRE CUTTER

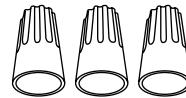


ELECTRICAL TAPE



UTILITY KNIFE

#### HARDWARE INCLUDED



WIRE NUTS



MOUNTING SCREWS

### SAVE THESE INSTRUCTIONS



www.jescocolighting.com  
support@jescocolighting.com  
Tech Support: 855.592.0029

15 Harbor Park Drive  
Port Washington, NY 11050  
Main Line: 800.527.7796  
Fax Line: 855.265.5768

219 South 6th Ave  
City of Industry, CA 91746  
Main Line: 855.654.0110  
Fax Line: 626.333.2955

REV1  
JW12092014



# PDSSE26-01

## Line Voltage Socket Set

Installation and Field Shortening instructions

# INSTALLATION INSTRUCTIONS

**1**

A. Canopy  
B. Lock Nut  
C. Cord  
D. Finial  
E. Washer  
F. Stem  
G. Shade Holder

Loosen set screws on lock nut (B), on finial (D), and on shade holder (F) with a mini flathead screwdriver. Remove canopy (A), lock nut (B), finial (D) and washer (E), save parts for later use.

**2**

**NOTE:** For normal applications, shade holder (G) should be set so that lamp filament is centered in shade

**2.1**

**2.1** Feed cord (C) and stem (F) through hole in glass shade. Adjust the height of shade holder (G) to desired height on fixture's stem (F). Then tighten set screw on shade holder (G) with a mini flathead screwdriver. Thread through finial (D) and washer (E), tighten set screw on finial (D) to hold glass in place. **2.2** On shallow glass shades, the shade holder (G) can be removed for the installation, allowing the glass to sit on the socket.

**3**

**CORD SHORTENING INSTRUCTIONS**  
If cord shortening not required, skip to step 5 on page 3.

With shade locked in place, determine desired length (X), add 6 inches and cut cord with a wire cutter.

**4**

**4.1** Measure 4 inches from top of cord, use an utility knife to cleanly remove the braided jacket. CAUTION DO NOT CUT THROUGH INSULATION. **4.2** Apply a small piece of electrical tape to the braided jacket and insulated wire. **4.3** Measure 2 inches from top of wire and strip away the outer insulation. **4.4** Strip off 3/4 inch of insulation from each wire.

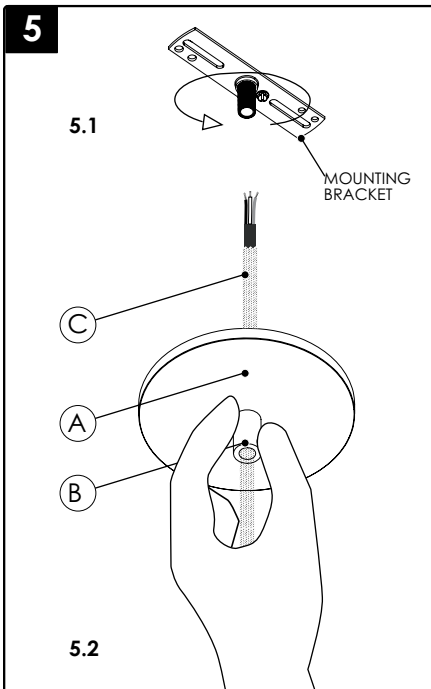


# PDSSE26-01

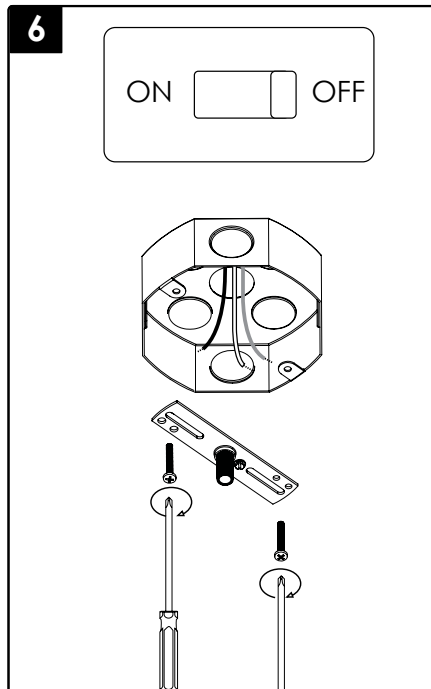
## Line Voltage Socket Set

Installation and Field Shortening instructions

# INSTALLATION INSTRUCTIONS

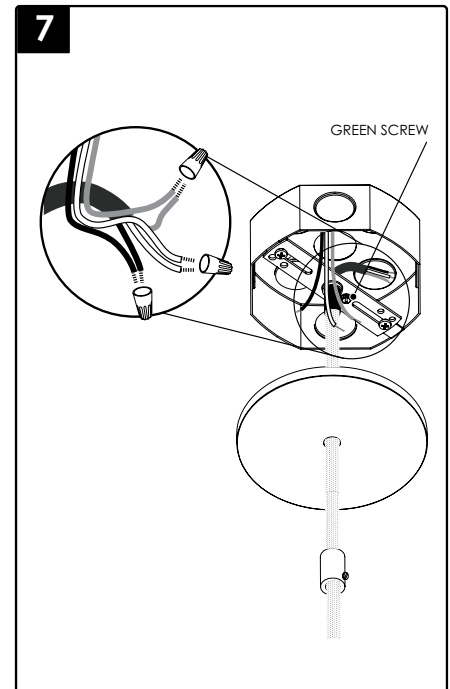


5.1 Hold onto lock nut (B) and twist off mounting bracket from canopy.  
 5.2 Thread cord (C) through lock nut (B) and canopy (A).

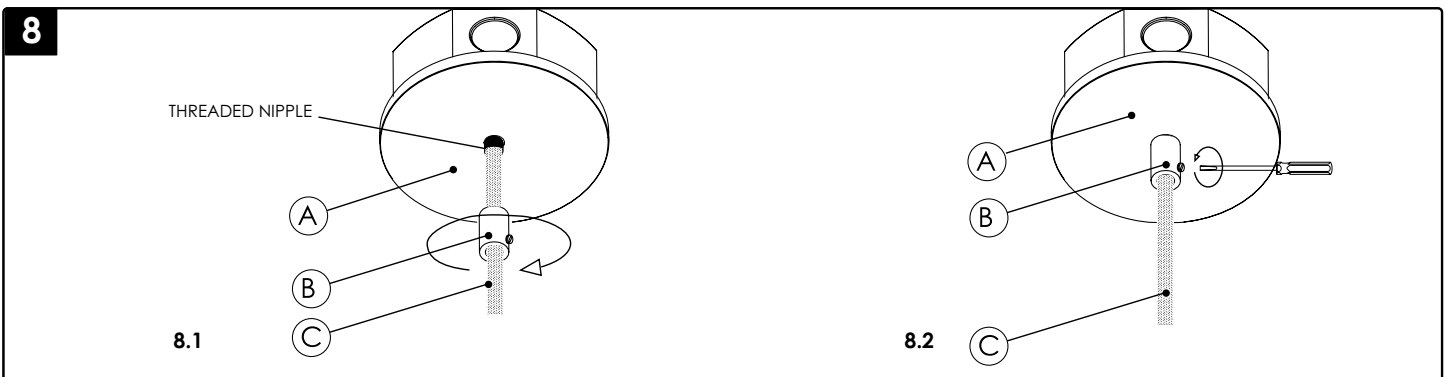


**TURN OFF ELECTRICITY AT MAIN FUSE BOX**

Secure mounting bracket to junction box with supplied mounting screws.



Connect stripped wire ends of fixture with supply circuit wires-black to black, white to white, green to green or bare copper wire. Twist on wire nuts to secure connection. (If there is no green supply wire, connect ground fixture wire to mounting bracket's green screw.) Carefully tuck connected wires and wire nuts into junction box.



8.1 Bring up lock nut(B) and thread onto threaded nipple to secure canopy (A) to ceiling. 8.2 Tighten set screw on lock nut (B) to secure cord (C).