



CM405-S ULTRA THIN ROUND MINI DISK

Low Profile Ceiling Fixture, ADA Sconce or Retrofit (4" Housing) with Polycarbonate Shade
Line Voltage LED Fixture

Type	
Project	
Catalog No.	

CM405-S



DESCRIPTION

The CM405 series is the next generation of residential and commercial lighting incorporating JESCO's exclusive *Driverless AC LED* technology. Operating directly off of AC voltage, no secondary LED driver is required. The unique design, only 1 1/4" high, allows for ultimate flexibility, installs easily onto a standard junction box. It can also be used as a retrofit on any 4" IC or Non-IC recessed downlight housing. The fixture incorporates a 12W LED module which emits up to 900 lumens which exceeds the lumen output of a 60W incandescent lamp. It can be dimmed by most standard incandescent, electronic or magnetic low voltage, and CFL/LED dimmers. Operating at 277 VAC can be accomplished with an additional transformer.

FEATURES

- Up to 900 lumens emitted from fixture
- JESCO's exclusive *Driverless AC LED* technology eliminates the need for an in-line or secondary LED driver, incorporated with our advanced heat sink design, provides superior thermal management for true 50,000 hours of operation with 70% lumen maintenance
- Patent pending inrush current / surge protection designed to prevent damage to both LED module and dimmer
- 90 CRI available in all color temperatures
- 2700K, 3000K and 4000K
- Dimmable 10-100% with most leading or trailing edge incandescent or low voltage dimmers
- ADA compliant wall sconce
- Wet location listed
- Suitable for use in closet applications
- Eco Friendly – No mercury or hazardous material
- J-box mounted or it can be used as an LED retrofit for a 4" recessed downlight

SPECIFICATIONS

Model	CM405-S-xx-xx	
Description	Small LED Ceiling Fixture, ADA Sconce or Downlight Retrofit	
Input Voltage	120 VAC	
Wattage	12W	
CTT	3000K 4000K	2700K♦
CRI	80*	90
Lumens	833Lm 900Lm	639Lm
Efficacy	69.4Lm/W 75.0Lm/W	53.3Lm/W
Power Factor	>0.97	>0.97
Dimming **	10-100% Triac, ELV, MLV, CFL/LED	
Dimensions***	6"Ø x 1 1/4"	
L70	50,000 hours	
Finish	White, Brushed Nickel, Chrome	
Environment	Indoor - Dry/Damp/Wet	
Certifications		
Warranty	5 Years – see published warranty terms for detailed information	

*90 CRI available. Contact factory for details.



** Recommended:
- Thirty fixture maximum run on one 600W dimmer
- Fifteen fixture maximum run on one 300W dimmer
See reverse side for recommended list of dimmers
*** Dimensions on reverse side
♦2700K-Title 24

ORDERING INSTRUCTIONS

MODEL	SHAPE	SIZE	CCT	FINISH
CM	405	S		
CM – Series	405 – Round Mini Disk	S – 4"	27 – 2700K 30 – 3000K 40 – 4000K	WH – White BN – Brushed Nickel CH – Chrome

Example: CM405-S-30-WH



www.jescolighting.com
support@jescolighting.com
Tech Support: 855.592.0029

15 Harbor Park Drive
Port Washington, NY 11050
Main Line: 800.527.7796
Fax Line: 855.265.5768

219 South 6th Ave
City of Industry, CA 91746
Main Line: 855.654.0110
Fax Line: 626.333.2955

Rev 33
12/16/2014

Specifications subject to change without notice.

Page 1 of 3

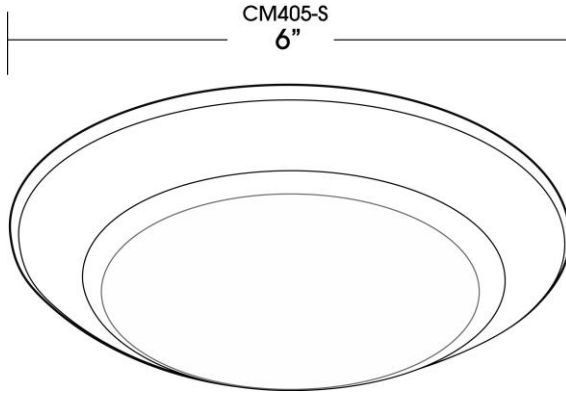


**CM405-S ULTRA THIN
ROUND MINI DISK**

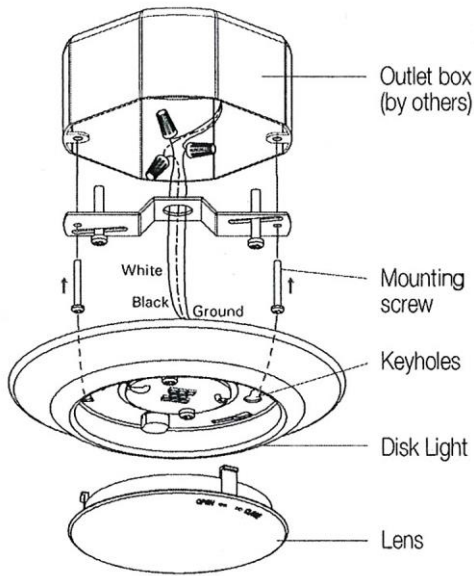
Low Profile Ceiling Fixture, ADA Sconce or Retrofit (4" Housing) with Polycarbonate Shade
Line Voltage LED Fixture

Type	
Project	
Catalog No.	

DIMENSIONS



J-Box Mounting



4" Downlight Retrofit Mounting



OPTIONAL ACCESSORY

CM405S-MK Mounting Kit for 4" Retrofit includes:



Mounting Clip

Adapter





CM405-S ULTRA THIN ROUND MINI DISK

Low Profile Ceiling Fixture, ADA Sconce or
Retrofit (4" Housing) with Polycarbonate Shade
Line Voltage LED Fixture

Type	
Project	
Catalog No.	

COMPATIBLE JESCO LINE VOLTAGE HOUSINGS

MODEL	DESCRIPTION	
RS2000B, RS2000BA, RS2000IC, RS2000ICA	4" Line Voltage New Construction	
RS2000R, RS2000RA	4" Line Voltage Remodel	

OTHER COMPATIBLE LINE VOLTAGE HOUSINGS

HALO H99T, H99RT, H99ICT
ALL-PRO ET400, ET400R, ET400AT
JUNO TC1, TC1R,
CAPRI R4, RR4, R4ASIC
LITHONIA L3, L3R
THOMAS PS4, PS4RM, PS4ASIC

COMPATIBLE DIMMERS

MANUFACTURER	STYLE	MODEL NUMBER	TYPE
Lutron	Diva	DVCL-153P	(CFL/LED)
	Diva	DVELV-303P	(Electronic Low Voltage)
	Diva	DVLV-600P	(Magnetic Low Voltage)
	Maestro	MACL-153M	(CFL/LED)
	Maestro	MFR2-6DN-120	(Spec Grade)
	Skylark	SELV-300P	(Electronic Low Voltage)
	Skylark	S-600	(Incandescent)
	Skylark Contour	CTCL-153P	(CFL/LED)
Leviton	Acenti	Ate06-1LW	(Electronic Low Voltage)
	Trimatron	705	(Incandescent)
Cooper	Devine	D106P	(Incandescent/Magnetic/Low Voltage)
Pass & Seymour	Harmony		(Incandescent 600W)