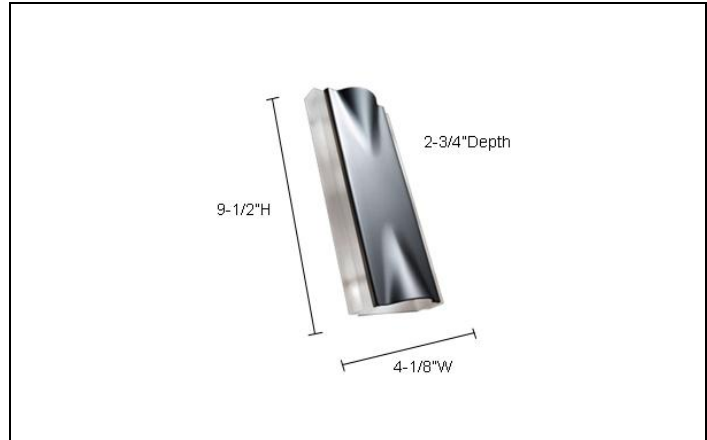




WS 631 • TEMPO

ENVISAGE
SERIES 631

Type	
Project	
Catalog No.	



CATALOG INFORMATION

MODEL	GROK	FINISH
WS 631 TEMPO	05 2673	AL – Aluminum BK – Black

Ordering Instructions Example: MODEL - FINISH

DESCRIPTION

- Wall Sconce
- ADA Compliant
- Dimensions: 4-1/8"W x 9-1/2"H x 2-3/4"D

LAMP:
(2) Halogen G9 120 75W.

TEMPO SERIES



PD 631