

Jeremiah

Lighting

29043-BBZ

Please read carefully and save these instructions, as you may need them at a later date.

CAUTION

Turn off the main power at the circuit breaker before installing the fixture in order to prevent possible shock.

All electrical connections must be in accordance with local and National Electrical Code (N.E.C.) standards. If you are unfamiliar with proper electrical wiring connections, obtain the services of a qualified electrician.

GENERAL

Remove all parts and hardware from the box and mounting package and make sure that none are missing by referencing the illustrations provided.

ASSEMBLY AND INSTALLATION

1. Pull the SUPPLY WIRES (8 & 10) and the SUPPLY GROUND WIRE (7) out from the OUTLET BOX (1) (not included) and attach the MOUNTING STRAP (2) assembly to the OUTLET BOX (1) using the slotted holes of the MOUNTING STRAP (2) and the OUTLET BOX SCREWS and WASHERS (3). [See Fig. 1]
2. Remove the THREADED RING (16) from the SCREW COLLAR LOOP (5) and set aside. Place the CANOPY (15) over the OUTLET BOX (1) and adjust the SCREW COLLAR LOOP (5) and THREADED ROD (14) until the midpoint of the outside threads on the SCREW COLLAR LOOP (5) is centered (aligned) with the surface of the CANOPY (15). Remove the CANOPY (15) and tighten both HEX NUTS (4) down on the MOUNTING STRAP (2) and the SCREW COLLAR LOOP (5). [See Fig. 1]
3. Remove FIXTURE LOOP (19) and COVER (20) from FIXTURE (27). Thread CENTER ROD (26) onto the threaded rod at top of the FIXTURE (27) until tight. Attach the smaller part of the ARMS (22) to the top of the CENTER ROD (26) using RIBBED NUTS (21). Attach the larger part of the ARMS (22) to the FIXTURE (27) using DECORATIVE SCREWS (23). Lower the COVER (20) over threaded rod at top of the CENTER ROD (26) and then thread FIXTURE LOOP (19) onto the threaded rod at top of the CENTER ROD (26) until tight. [See Fig. 2]
4. Attach one OPEN CHAIN LINK (18) to each end of the CHAIN (17). Then attach one end of the CHAIN (17) to the FIXTURE LOOP (19). Slide the THREADED RING (16) and the CANOPY (15) onto the CHAIN (17) (in that order) and attach the other end of the CHAIN (17) to the SCREW COLLAR LOOP (5). Close the OPEN CHAIN LINKS (18). [See Fig. 1 & 2]
5. Unravel the FIXTURE LEAD WIRES (9 & 11) and FIXTURE GROUND WIRE (6) and thread them through every other link of the CHAIN (17) starting with the OPEN END CHAIN LINK (18) attached to the FIXTURE LOOP (19). Feed the FIXTURE LEAD WIRES (9 & 11) and FIXTURE GROUND WIRE (6) through the SCREW COLLAR LOOP (5) and THREADED ROD (14). Pull the FIXTURE LEAD WIRES (9 & 11) and the FIXTURE GROUND WIRE (6) upward to remove any excess slack. [See Fig. 1]
6. Attach the power supply wires to the fixture lead wires by connecting the BLACK SUPPLY WIRE (8) to the SMOOTH FIXTURE LEAD WIRE (9) and the WHITE SUPPLY WIRE (10) to the RIBBED FIXTURE LEAD WIRE (11). Loop the SUPPLY GROUND WIRE (7) around the GROUND SCREW (13) of the MOUNTING STRAP (2). [Note: Be sure to provide an extra 3in. length of the SUPPLY GROUND WIRE (7) for connection to the FIXTURE GROUND WIRE (6).] Connect the remaining SUPPLY GROUND WIRE (7) to the FIXTURE GROUND WIRE (6). Use a WIRE CONNECTOR (12) for all wire connections. Push wiring and connections inside the OUTLET BOX (1). [See Fig. 1]
7. Slide the CANOPY (15) and the THREADED RING (16) up the CHAIN (17). Place the CANOPY (15) over the OUTLET BOX (1) and secure by screwing the THREADED RING (16) onto the SCREW COLLAR LOOP (5). [See Fig. 1]
8. Attach THREADED ROD (25) to the bottom of the CLUSTER ASSEMBLY (35) and secure with the HEX NUT (25). Install bulbs, **MAXIMUM 60W** each.

ASSEMBLY AND INSTALLATION (Continued)

9. Slide one CAP (28), the METAL SLEEVE (29), the other CAP (28), the METAL PLATE (30), the GLASS SHADE (36) and the WASHERS (31) over the THREADED ROD (25) and secure with HEX NUT (32). Attach FINIAL PLATE (33) with the FINIAL (34). [See Fig. 2]

INSTALLATION IS NOW COMPLETE

MCKINNEY

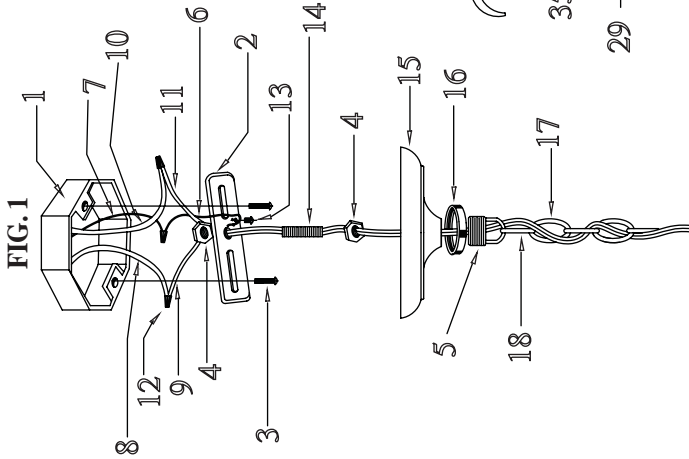
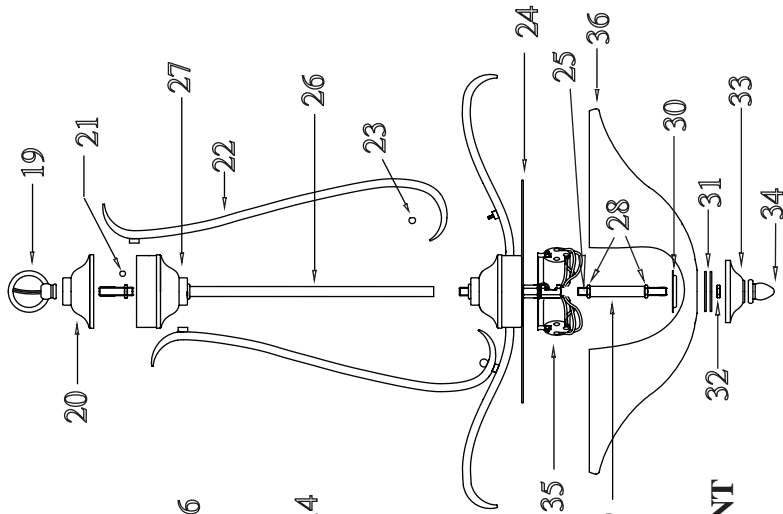


FIG. 2



3-LIGHT INVERTED PENDANT

1. OUTLET BOX (NOT INCLUDED)
2. MOUNTING STRAP (pre-attached to outlet box)
3. OUTLET BOX SCREW and WASHER (pre-attached to outlet box)
4. HEX NUT
5. SCREW COLLAR LOOP (pre-attached)
6. FIXTURE GROUND WIRE
7. SUPPLY GROUND WIRE (not included)
8. BLACK SUPPLY WIRE (not included)
9. SMOOTH FIXTURE LEAD WIRE
10. WHITE SUPPLY WIRE (not included)
11. RIBBED FIXTURE LEAD WIRE
12. WIRE CONNECTOR
13. GROUND SCREW (pre-attached)
14. THREADED ROD (pre-attached)
15. CANOPY
16. THREADED RING
17. CHAIN
18. OPEN CHAIN LINK
19. FIXTURE LOOP
20. COVER
21. RIBBED NUT (pre-attached)
22. ARM
23. DECORATIVE NUT (pre-attached)
24. DIFFUSER PLATE
25. THREADED ROD and HEX NUT
26. CENTER ROD
27. FIXTURE
28. CAPS
29. METAL SLEEVE
30. METAL PLATE
31. WASHERS
32. HEX NUT
33. FINIAL PLATE
34. FINIAL
35. CLUSTER ASSEMBLY
36. GLASS SHADE