

# Jeremiah Lighting

# 28853-GGL

*Please read carefully and save these instructions, as you may need them at a later date.*

## CAUTION

Turn off the main power at the circuit breaker before installing the fixture in order to prevent possible shock.

All electrical connections must be in accordance with local and National Electrical Code (N.E.C.) standards. If you are unfamiliar with proper electrical wiring connections, obtain the services of a qualified electrician.

## GENERAL

Remove all parts and hardware from the box, and the mounting package and make sure that none are missing by referencing the illustrations provided.

## ASSEMBLY AND INSTALLATION

1. Pull the SUPPLY WIRES (4 & 6) and the SUPPLY GROUND WIRE (8) out from the OUTLET BOX (1) (not included) and attach the MOUNTING STRAP (2) assembly from the hardware bag to the OUTLET BOX (1) using the slotted holes of the MOUNTING STRAP (2) and the OUTLET BOX SCREWS and WASHERS (3). [See Fig. 1]
2. Remove the THREADED RING (15) from the SCREW COLLAR LOOP (13) and set aside. Place the CANOPY (11) over the OUTLET BOX (1) and adjust the SCREW COLLAR LOOP (13) and THREADED ROD (12) until the midpoint of the outside threads on the SCREW COLLAR LOOP (13) is centered (aligned) with the surface of the CANOPY (11). Remove the CANOPY (11) and tighten both HEX NUTS (21) down on the MOUNTING STRAP (2) and the SCREW COLLAR LOOP (13). [See Fig. 1]
3. Thread the FIXTURE LOOP (17) onto the threaded rod at the top of the FIXTURE (16) until tight. Pull the ARMS (18) on the fixture so they are evenly spaced. [See Fig. 2]
4. Attach one OPEN CHAIN LINK (19) to each end of the CHAIN (14). Then attach one end of the CHAIN (14) to the FIXTURE LOOP (17). Slide the THREADED RING (15) and the CANOPY (11) (in that order) onto the CHAIN (14) and attach the other end of the CHAIN (14) to the SCREW COLLAR LOOP (13). Close the OPEN CHAIN LINKS (19). [See Fig. 1 & 2]
5. Unravel the FIXTURE LEAD WIRES (5 & 7) and FIXTURE GROUND WIRE (9) and thread them through every other link of the CHAIN (14) starting with the chain link attached to the FIXTURE LOOP (17). Feed the FIXTURE LEAD WIRES (5 & 7) and FIXTURE GROUND WIRE (9) through the SCREW COLLAR LOOP (13) and THREADED ROD (12). Pull the FIXTURE LEAD WIRES (5 & 7) and the FIXTURE GROUND WIRE (9) upward to remove any excess slack. [See Fig. 1]
6. Attach the power supply wires to the fixture lead wires by connecting the BLACK SUPPLY WIRE (4) to the SMOOTH FIXTURE LEAD WIRE (5) and the WHITE SUPPLY WIRE (6) to the RIBBED FIXTURE LEAD WIRE (7). Loop the SUPPLY GROUND WIRE (8) around the GROUND SCREW (20) on the MOUNTING STRAP (2). [Note: Be sure to provide an extra 3in. length of the SUPPLY GROUND WIRE (8) for connection to the FIXTURE GROUND WIRE (9).] Tighten the GROUND SCREW (20). Connect the remaining SUPPLY GROUND WIRE (8) to the FIXTURE GROUND WIRE (9). Use a WIRE CONNECTOR (10) for all wire connections. Push wiring and connections inside the OUTLET BOX (1). [See Fig. 1]
7. Slide the CANOPY (11) and the THREADED RING (15) up the CHAIN (14). Place the CANOPY (11) over the OUTLET BOX (1) and secure it by screwing the THREADED RING (15) onto the SCREW COLLAR LOOP (13). Make sure DECORATIVE NUTS (29) are securely tightened against top of FIXTURE (16). [See Fig. 1]

## ASSEMBLY AND INSTALLATION (Continued)

8. Attach CENTER STEM (23) to the bottom of the FIXTURE (16). Install bulbs, **MAXIMUM 60W** each.
9. Adjust the uppermost HEX NUT (24) on the CENTER STEM (23). Slide one FLAT WASHER (25), one RUBBER WASHER (26), the GLASS SHADE (25), the other RUBBER WASHER (26), and the other FLAT WASHER (25) over the CENTER STEM (23) and secure with the other HEX NUT (24). Attach the FINIAL PLATE (27) with the FINIAL (28). [See Fig. 2]

## INSTALLATION IS NOW COMPLETE

### KENNEDALE

FIG. 1

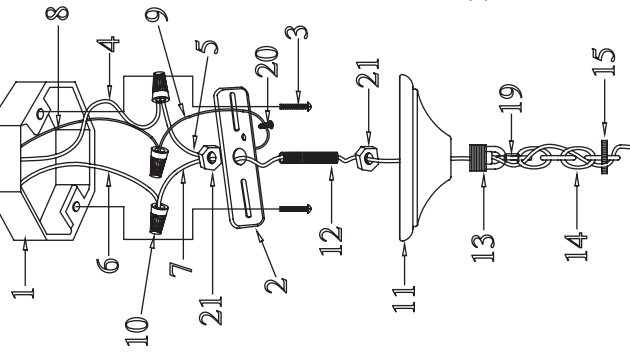
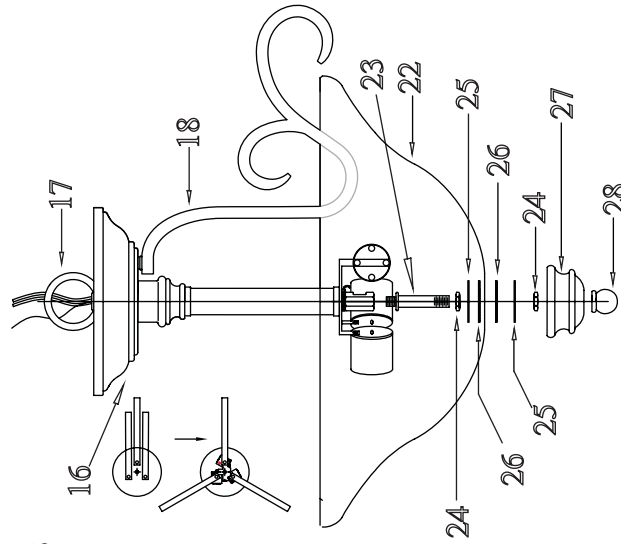


FIG. 2



## 3-LIGHT CONVERTIBLE (PENDANT)

- |   |                                 |
|---|---------------------------------|
| 1. OUTLET BOX (NOT INCLUDED)                                | 15. THREADED RING               |
| 2. MOUNTING STRAP   | 16. FIXTURE                     |
| 3. OUTLET BOX SCREW and WASHER (pre-attached to outlet box) | 17. FIXTURE LOOP                |
| 4. BLACK SUPPLY WIRE (not included)                         | 18. ARM (pre-attached)          |
| 5. SMOOTH FIXTURE LEAD WIRE                                 | 19. OPEN CHAIN LINK             |
| 6. WHITE SUPPLY WIRE (not included)                         | 20. GROUND SCREW (pre-attached) |
| 7. RIBBED FIXTURE LEAD WIRE                                 | 21. HEX NUT (pre-attached)      |
| 8. SUPPLY GROUND WIRE (not included)                        | 22. GLASS SHADE                 |
| 9. WIRE CONNECTOR   | 23. CENTER STEM                 |
| 10. CANOPY  | 24. HEX NUT                     |
| 11. THREADED ROD (pre-attached)                             | 25. FLAT WASHER                 |
| 12. SCREW COLLAR LOOP (pre-attached)                        | 26. RUBBER WASHER               |
| 13. CHAIN   | 27. FINIAL PLATE                |
|   | 28. FINIAL                      |
|   | 29. DECORATIVE NUT              |

# Jeremiah Lighting

# 28853-GGL

*Please read carefully and save these instructions, as you may need them at a later date.*

## CAUTION

Turn off the main power at the circuit breaker before installing the fixture in order to prevent possible shock.

All electrical connections must be in accordance with local and National Electrical Code (N.E.C.) standards. If you are unfamiliar with proper electrical wiring connections, obtain the services of a qualified electrician.

## GENERAL

Remove all parts and hardware from the box and the mounting package and make sure that none are missing by referencing the illustrations provided.

## ASSEMBLY AND INSTALLATION

1. Remove DECORATIVE NUTS (29) from the FIXTURE SCREWS (21) and then loosen SHORT THREADED ROD (30) in middle of MOUNTING STRAP (2). Unravel the FIXTURE LEAD WIRES (5 & 7) and FIXTURE GROUND WIRE (9). Remove FIXTURE LOOP (17) and MOUNTING STRAP (2) from top of FIXTURE (16). Pull the SUPPLY WIRES (4 & 6) and the SUPPLY GROUND WIRE (8) out from the OUTLET BOX (1) (not included) and attach the MOUNTING STRAP (2) to the OUTLET BOX (1) using the slotted holes of the MOUNTING STRAP (2) and the OUTLET BOX SCREWS and WASHERS (3).
2. Place the top of FIXTURE (16) over the OUTLET BOX (1) to determine the amount of adjustment necessary; the FIXTURE SCREWS (21) should come through holes in top of FIXTURE (16) just enough so that DECORATIVE NUTS (29) fit flush when FIXTURE (16) is mounted. Adjust the 1/8" IPS HEX NUTS (21) with the surface of the top of the FIXTURE (16). Remove the FIXTURE (16) and tighten both 1/8" IPS HEX NUTS (21) down on the MOUNTING STRAP (2).

3. Pull the ARMS (18) on the FIXTURE (16) so they are evenly spaced.

4. Attach the power supply wires to the fixture lead wires by connecting the BLACK SUPPLY WIRE (4) to the SMOOTH FIXTURE LEAD WIRE (5) and the WHITE SUPPLY WIRE (6) to the RIBBED FIXTURE LEAD WIRE (7). Loop the SUPPLY GROUND WIRE (8) around the GROUND SCREW (20) on the MOUNTING STRAP (2). [Note: Be sure to provide an extra 3in. length of the SUPPLY GROUND WIRE (8) for connection to the FIXTURE GROUND WIRE (9).] Connect the remaining SUPPLY GROUND WIRE (8) to the FIXTURE GROUND WIRE (9). Use a WIRE CONNECTOR (10) for all wire connections. Push wiring and connections inside the OUTLET BOX (1).

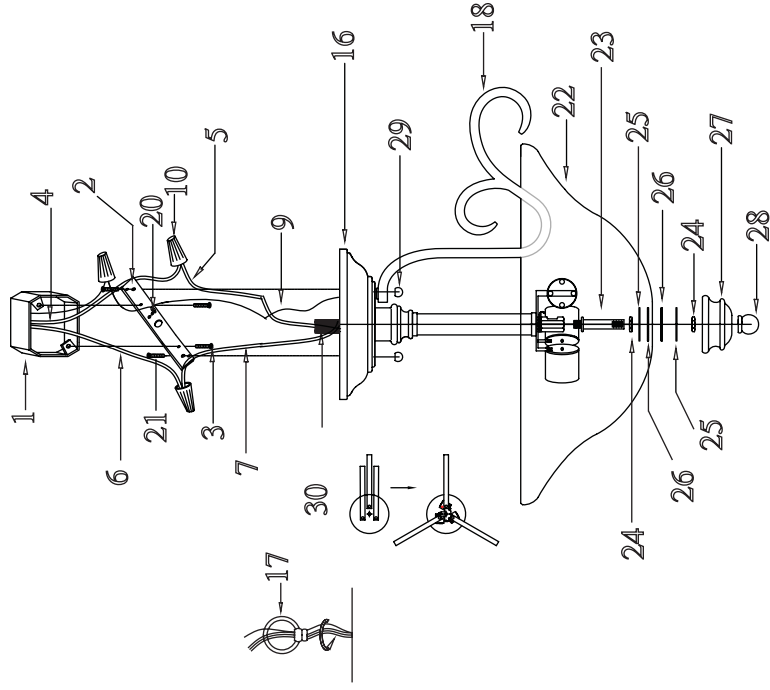
5. Place FIXTURE (16) over the FIXTURE SCREWS (21) and secure with the DECORATIVE NUTS (29) provided.

6. Attach CENTER STEM (23) to the bottom of the FIXTURE (16). Install bulbs, **MAXIMUM 60W** each.

7. Adjust the uppermost HEX NUT (24) on the CENTER STEM (23). Slide one FLAT WASHER (25), one RUBBER WASHER (26), the GLASS SHADE (22), the other RUBBER WASHER (26) and the other FLAT WASHER (25) over the CENTER STEM (23) and secure with the other HEX NUT (24). Attach the FINIAL PLATE (27) with the FINIAL (28).

**INSTALLATION IS NOW COMPLETE**

## KENNEDALE



## 3-LIGHT CONVERTIBLE (SEMI-FLUSH)

- |   |  |
|---|--|
| 1. OUTLET BOX (NOT INCLUDED)                                | 20. GROUND SCREW (pre-attached)                |
| 2. MOUNTING STRAP   | 21. FIXTURE SCREWS and HEX NUTS (pre-attached) |
| 3. OUTLET BOX SCREW and WASHER (pre-attached to outlet box) | 22. GLASS SHADE                                |
| 4. BLACK SUPPLY WIRE (not included)                         | 23. CENTER STEM                                |
| 5. SMOOTH FIXTURE LEAD WIRE                                 | 24. HEX NUT                                    |
| 6. WHITE SUPPLY WIRE (not included)                         | 25. FLAT WASHER                                |
| 7. RIBBED FIXTURE LEAD WIRE                                 | 26. RUBBER WASHER                              |
| 8. SUPPLY GROUND WIRE (not included)                        | 27. FINIAL PLATE                               |
| 9. FIXTURE GROUND WIRE                                      | 28. FINIAL                                     |
| 10. WIRE CONNECTOR  | 29. DECORATIVE NUT                             |
| 16. FIXTURE   | 30. SHORT THREADED ROD                         |
| 17. FIXTURE LOOP  |  |
| 18. ARM (pre-attached)                                      |  |

Customer Service: 1 (800) 527-1292