

Jeremiah Lighting

28821-GGL

Please read carefully and save these instructions, as you may need them at a later date.

CAUTION

Turn off the main power at the circuit breaker before installing the fixture in order to prevent possible shock.

All electrical connections must be in accordance with local and National Electrical Code (N.E.C.) standards. If you are unfamiliar with proper electrical wiring connections, obtain the services of a qualified electrician.

GENERAL

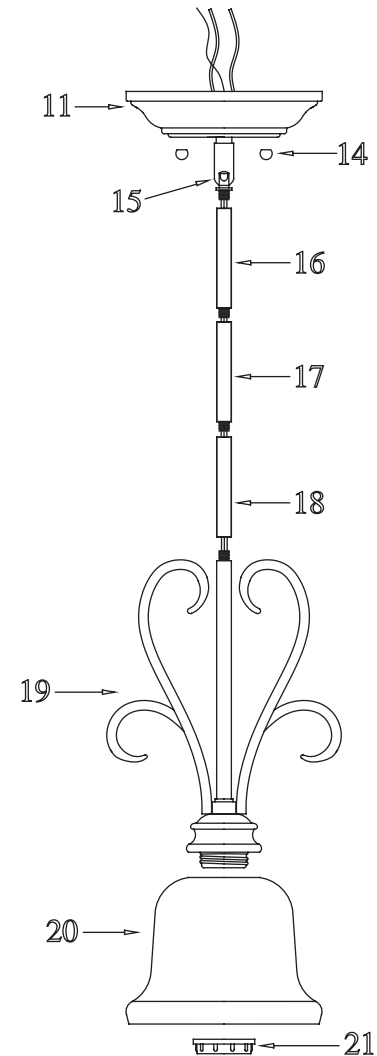
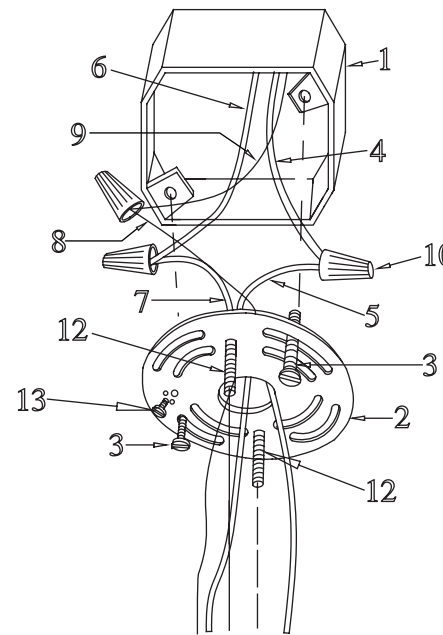
Remove all parts and hardware from the box and make sure that none are missing by referencing the illustrations provided.

ASSEMBLY AND INSTALLATION

1. Remove the DECORATIVE NUTS (14) from the FIXTURE SCREWS (12) and remove the MOUNTING PLATE (2) from the CANOPY (11). Secure the position of the FIXTURE SCREWS (12) by tightening the HEX NUTS (12) against the MOUNTING PLATE (2).
2. Carefully pass the SUPPLY WIRES (4 & 6) and the SUPPLY GROUND WIRE (9) through the center hole of the MOUNTING PLATE (2). Secure the MOUNTING PLATE (2) to the OUTLET BOX (1) (not included) with OUTLET BOX SCREWS and WASHERS (3).
3. Thread TUBE-C (18) onto the SOCKET ASSEMBLY (19), TUBE-B (17) onto TUBE-C (18), and TUBE-A (16) onto TUBE-B (17). Thread the SWIVEL ASSEMBLY (15) onto TUBE-A (16).
4. Attach the BLACK SUPPLY WIRE (4) to the SMOOTH (or BLACK) FIXTURE LEAD WIRE (5) by using the WIRE CONNECTOR (10). In the same manner, attach the WHITE SUPPLY WIRE (6) to the RIBBED (or WHITE) FIXTURE LEAD WIRE (7). Loop the SUPPLY GROUND WIRE (9) around the GROUND SCREW (13) on the MOUNTING PLATE (2). [Note: Be sure to provide an extra 3in. length of the SUPPLY GROUND WIRE (9) for connection to the FIXTURE GROUND WIRE (8).] Tighten the GROUND SCREW (13). Connect the remaining SUPPLY GROUND WIRE (9) to the FIXTURE GROUND WIRE (8) using a WIRE CONNECTOR (10). Push wiring and connections inside the OUTLET BOX (1).
5. Place the CANOPY (11) over the FIXTURE SCREWS (12) and secure CANOPY (11) with the DECORATIVE NUTS (14) provided.
6. Remove the SOCKET RING (21). Secure the GLASS SHADE (20) with the SOCKET RING (21).
7. Install bulb, **MAXIMUM 100W**.

INSTALLATION IS NOW COMPLETE

KENNEDALE



1-LIGHT MINIPENDANT

- | | |
|---|--|
| 1. OUTLET BOX (NOT INCLUDED) | 12. FIXTURE SCREW and HEX NUT (pre-attached) |
| 2. MOUNTING PLATE | 13. GROUND SCREW (pre-attached) |
| 3. OUTLET BOX SCREW and WASHER (pre-attached to outlet box) | 14. DECORATIVE NUT |
| 4. BLACK SUPPLY WIRE (not included) | 15. SWIVEL ASSEMBLY (pre-attached) |
| 5. SMOOTH (or BLACK) FIXTURE LEAD WIRE | 16. TUBE-A |
| 6. WHITE SUPPLY WIRE (not included) | 17. TUBE-B |
| 7. RIBBED (or WHITE) FIXTURE LEAD WIRE | 18. TUBE-C |
| 8. FIXTURE GROUND WIRE | 19. SOCKET ASSEMBLY |
| 9. SUPPLY GROUND WIRE (not included) | 20. GLASS SHADE |
| 10. WIRE CONNECTORS | 21. SOCKET RING |
| 11. CANOPY | |

Customer Service: 1 (800) 527-1292