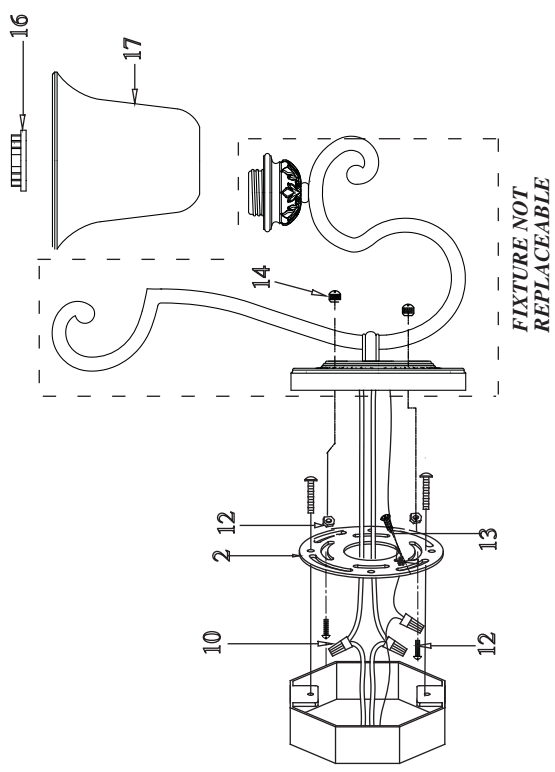




SL  
JOSEPHINE

3401 W. Trinity Blvd.  
Grand Prairie, Tx 75050  
1 (800) 527-1292

Please circle the part that is damaged or defective on the diagram and comment, then Fax back to us at (214) 492-6385 along with your information filled out at the bottom.



**2-LIGHT WALL SCONCE**

- 2. MOUNTING PLATE
- 10. WIRE CONNECTORS
- 12. FIXTURE SCREW and HEX NUT
- 13. GROUND SCREW
- 14. DECORATIVE NUT
- 16. SOCKET RING
- 17. GLASS SHADE

Comments Regarding the Problem:

Company Name \_\_\_\_\_

Shipping Address \_\_\_\_\_

Telephone \_\_\_\_\_

Fax \_\_\_\_\_

Requester Name \_\_\_\_\_

Authorized by \_\_\_\_\_

Date \_\_\_\_\_