

# Jeremiah

## Lighting

# 28102-HI/BNK

*Please read carefully and save these instructions, as you may need them at a later date.*

### CAUTION

Turn off the main power at the circuit breaker before installing the fixture in order to prevent possible shock.

All electrical connections must be in accordance with local and National Electrical Code (N.E.C.) standards. If you are unfamiliar with proper electrical wiring connections, obtain the services of a qualified electrician.

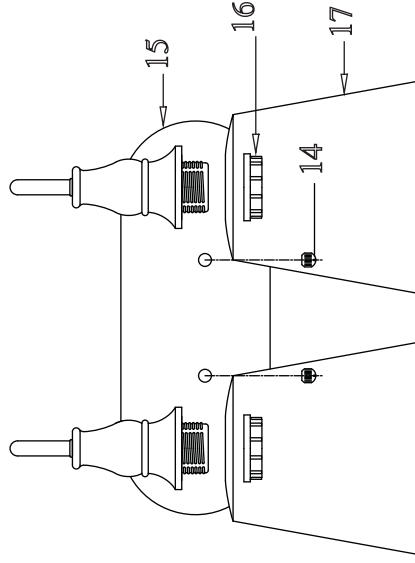
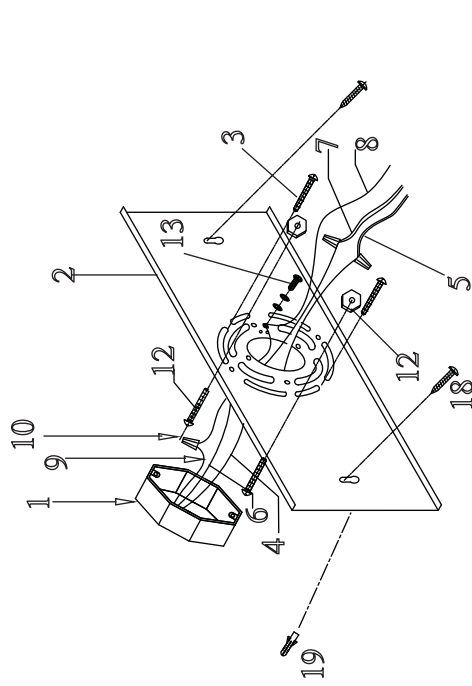
### GENERAL

Remove all parts and hardware from the box and mounting package and make sure that none are missing by referencing the illustrations provided.

### ASSEMBLY AND INSTALLATION

1. Remove DECORATIVE NUTS (14) from the FIXTURE SCREWS (12). Screw FIXTURE SCREWS (12) into the MOUNTING PLATE (2) and thread the HEX NUTS (12) onto FIXTURE SCREWS (12), as shown. Secure the position of the FIXTURE SCREWS (12) by tightening the HEX NUTS (12) against the MOUNTING PLATE (2).
2. Carefully pass the power SUPPLY WIRES (4 & 6) and the SUPPLY GROUND WIRE (9) through the center hole of the MOUNTING PLATE (2). Secure the MOUNTING PLATE (2) to the OUTLET BOX (1) (not included) with existing OUTLET BOX SCREWS and WASHERS (3).
3. It is advisable to anchor the MOUNTING PLATE (2) to the wall by using the set of holes at each end of the MOUNTING PLATE (2) and the WALL ANCHORS (19) with the WALL ANCHORS SCREWS (18) or your own screws, toggle bolts, plastic anchors, etc. (Screws not provided on all models.)
4. Attach the BLACK SUPPLY WIRE (4) to the SMOOTH (or BLACK) FIXTURE LEAD WIRE (5) with WIRE CONNECTOR (10). In the same manner, attach the WHITE SUPPLY WIRE (6) to the RIBBED (or WHITE) FIXTURE LEAD WIRE (7). Loop the SUPPLY GROUND WIRE (9) around the GROUND SCREW (11) of the MOUNTING PLATE (2). [Note: Be sure to provide an extra 3in. length of the SUPPLY GROUND WIRE (5) for connection to the FIXTURE GROUND WIRE (4).] Tighten the GROUND SCREW (13). Connect the remaining SUPPLY GROUND WIRE (9) to the FIXTURE GROUND WIRE (8) using a WIRE CONNECTOR (10). Push wiring and connections inside the OUTLET BOX (1).
5. Place the COVER PLATE (15) over the FIXTURE SCREWS and HEX NUTS (12) and secure it with DECORATIVE NUTS (14) provided.
6. Remove SOCKET RINGS (16). Slide the GLASS SHADES (17) over the sockets and secure with the SOCKET RINGS (16).
7. Install bulbs, **MAXIMUM 100W.**

## PRESTON HOLLOW



## 2-LIGHT VANITY BAR

1. OUTLET BOX (**NOT INCLUDED**)
2. MOUNTING PLATE
3. OUTLET BOX SCREW and WASHER (pre-attached to outlet box)
4. BLACK SUPPLY WIRE (not included)
5. SMOOTH (or BLACK) FIXTURE LEAD WIRE
6. WHITE SUPPLY WIRE (not included)
7. RIBBED (or WHITE) FIXTURE LEAD WIRE
8. FIXTURE GROUND WIRE
9. SUPPLY GROUND WIRE (not included)
10. WIRE CONNECTORS
11. SOCKET WASHER
12. FIXTURE SCREW and HEX NUT (pre-attached)
13. GROUND SCREW (pre-attached)
14. DECORATIVE NUT
15. COVER PLATE
16. SOCKET RING
17. GLASS SHADE
18. WALL ANCHOR SCREW
19. WALL ANCHOR

Customer Service: 1 (800) 527-1292