

Jeremiah Lighting

28053-SPZ

Please read carefully and save these instructions, as you may need them at a later date.

CAUTION

Turn off the main power at the circuit breaker before installing the fixture in order to prevent possible shock.

All electrical connections must be in accordance with local and National Electrical Code (N.E.C.) standards. If you are unfamiliar with proper electrical wiring connections, obtain the services of a qualified electrician.

GENERAL

Remove all parts and hardware from the box and mounting package and make sure that none are missing by referencing the illustrations provided.

ASSEMBLY AND INSTALLATION

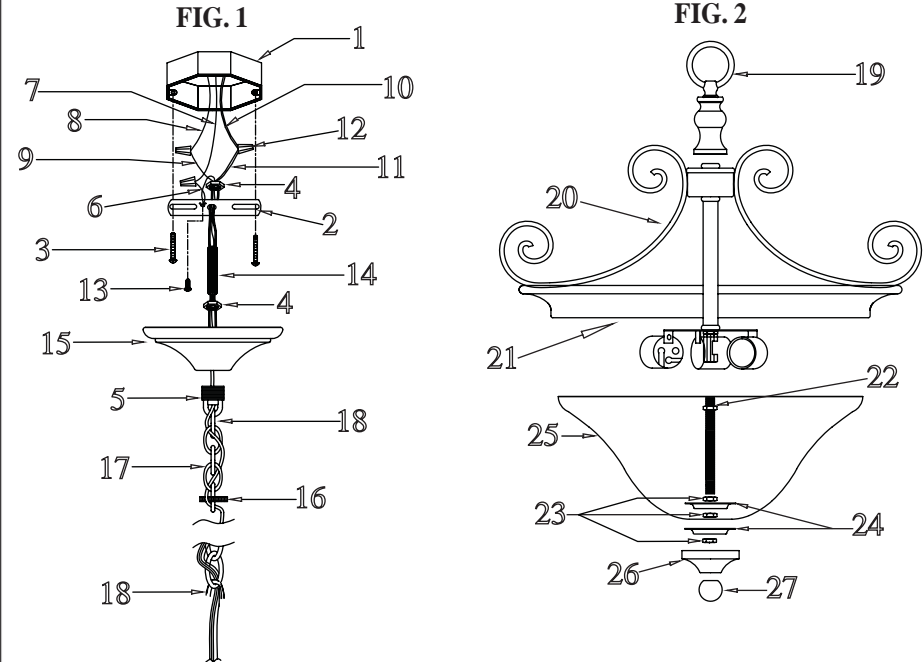
1. Pull the SUPPLY WIRES (8 & 10) and the SUPPLY GROUND WIRE (7) out from the OUTLET BOX (1) (not included) and attach the MOUNTING STRAP (2) assembly to the OUTLET BOX (1) using the slotted holes of the MOUNTING STRAP (2) and the OUTLET BOX SCREWS and WASHERS (3). [See Fig. 1]
2. Remove the THREADED RING (16) from the SCREW COLLAR LOOP (5) and set aside. Place the CANOPY (15) over the OUTLET BOX (1) and adjust the SCREW COLLAR LOOP (5) and THREADED ROD (14) until the midpoint of the outside threads on the SCREW COLLAR LOOP (5) is centered (aligned) with the surface of the CANOPY (15). Remove the CANOPY (15) and tighten both HEX NUTS (4) down on the MOUNTING STRAP (2) and the SCREW COLLAR LOOP (5). [See Fig. 1]
3. Slide the FIXTURE LOOP (19) down the fixture wires and then thread into the coupling at the top of the FIXTURE (21) until tight. Adjust the SCROLL ARMS (20) on the FIXTURE (21) so that they are level.
4. Attach one OPEN CHAIN LINK (18) to each end of the CHAIN (17). Then attach one end of the CHAIN (17) to the FIXTURE LOOP (19). Slide the THREADED RING (16) and the CANOPY (15) (in that order) onto the CHAIN (17) and attach the other end of the CHAIN (17) to the SCREW COLLAR LOOP (5). Close the OPEN CHAIN LINKS (18). [See Fig. 1 & 2]
5. Unravel the FIXTURE LEAD WIRES (9 & 11) and FIXTURE GROUND WIRE (6) and thread them through every other link of the CHAIN (17) starting with the chain link attached to the FIXTURE LOOP (19). Feed the FIXTURE LEAD WIRES (9 & 11) and FIXTURE GROUND WIRE (6) through the SCREW COLLAR LOOP (5) and THREADED ROD (14). Pull the FIXTURE LEAD WIRES (9 & 11) and the FIXTURE GROUND WIRE (6) upward to remove any excess slack. [See Fig. 1]
6. Attach the power supply wires to the fixture lead wires by connecting the BLACK SUPPLY WIRE (8) to the SMOOTH FIXTURE LEAD WIRE (9) and the WHITE SUPPLY WIRE (10) to the RIBBED FIXTURE LEAD WIRE (11). Loop the SUPPLY GROUND WIRE (7) around the GROUND SCREW (13) on the MOUNTING STRAP (2). [Note: Be sure to provide an extra 3in. length of the SUPPLY GROUND WIRE (7) for connection to the FIXTURE GROUND WIRE (6).] Connect the remaining SUPPLY GROUND WIRE (7) to the FIXTURE GROUND WIRE (6). Use a WIRE CONNECTOR (12) for all wire connections. Push wiring and connections inside the OUTLET BOX (1). [See Fig. 1]
7. Slide the CANOPY (15) and the THREADED RING (16) up the CHAIN (17). Place the CANOPY (15) over the OUTLET BOX (1) and secure by screwing the THREADED RING (16) onto the SCREW COLLAR LOOP (5). [See Fig. 1]

ASSEMBLY AND INSTALLATION (Continued)

8. Install bulbs, **MAXIMUM 60W** each.
9. Attach THREADED ROD (22) to the bottom of the FIXTURE (21) and secure with the (uppermost) HEX NUT (22). Attach a GASKET (24) to the THREADED ROD (22), securing it with a HEX NUT (23), then place the GLASS SHADE (25) and the other GASKET (24) onto the THREADED ROD (22); secure with the other HEX NUT (23). Attach FINIAL PLATE (26) and secure with FINIAL (27).

INSTALLATION IS NOW COMPLETE

SEVILLE



3-LIGHT CONVERTIBLE (PENDANT)

- | | | |
|--------------------------------------|---------------------|------------------|
| 1. OUTLET BOX (NOT INCLUDED) | 13. GROUND SCREW | 23. HEX NUT |
| 2. MOUNTING STRAP | (pre-attached) | 24. GASKET |
| 3. OUTLET BOX SCREW and WASHER | 14. THREADED ROD | 25. GLASS SHADE |
| (pre-attached to outlet box) | (pre-attached) | 26. FINIAL PLATE |
| 4. HEX NUT | 15. CANOPY | 27. FINIAL |
| 5. SCREW COLLAR LOOP | 16. THREADED RING | |
| (pre-attached) | 17. CHAIN | |
| 6. FIXTURE GROUND WIRE | 18. OPEN CHAIN LINK | |
| 7. SUPPLY GROUND WIRE (not included) | 19. FIXTURE LOOP | |
| 8. BLACK SUPPLY WIRE (not included) | 20. SCROLL ARM | |
| 9. SMOOTH FIXTURE LEAD WIRE | (pre-attached) | |
| 10. WHITE SUPPLY WIRE (not included) | 21. FIXTURE | |
| 11. RIBBED FIXTURE LEAD WIRE | 22. THREADED ROD | |
| 12. WIRE CONNECTOR | and HEX NUT | |

Customer Service: 1 (800) 527-1292

Jeremiah Lighting

28053-SPZ

Please read carefully and save these instructions, as you may need them at a later date.

CAUTION

Turn off the main power at the circuit breaker before installing the fixture in order to prevent possible shock.

All electrical connections must be in accordance with local and National Electrical Code (N.E.C.) standards. If you are unfamiliar with proper electrical wiring connections, obtain the services of a qualified electrician.

GENERAL

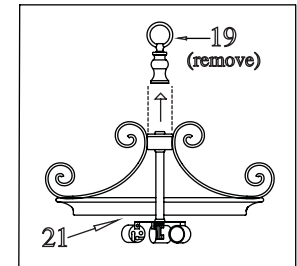
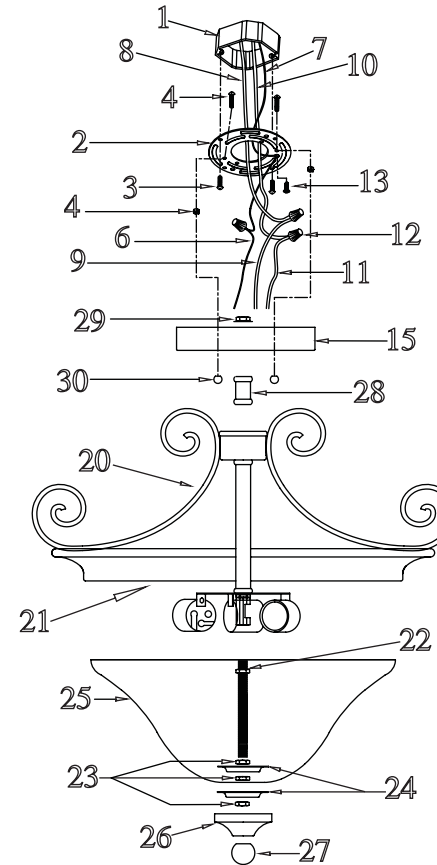
Remove all parts and hardware from the box and the mounting package make sure that none are missing by referencing the illustrations provided.

ASSEMBLY AND INSTALLATION

1. Remove DECORATIVE NUTS (30) from the FIXTURE SCREWS (4) and remove the MOUNTING PLATE (2) from the CANOPY (15). Carefully pass the power SUPPLY WIRES (8 & 10) and the SUPPLY GROUND WIRE (7) through the center hole of the MOUNTING PLATE (2). Secure the MOUNTING PLATE (2) to the OUTLET BOX (1) (not included) with the OUTLET BOX SCREWS and WASHERS (3).
2. Unravel the FIXTURE LEAD WIRES (9 & 11) and FIXTURE GROUND WIRE (6). Remove the FIXTURE LOOP (19) from the threaded rod at the top of the FIXTURE (21). Place the CANOPY (15) over the OUTLET BOX (1) to determine the amount of adjustment necessary; the FIXTURE SCREWS (4) should come through holes in CANOPY (15) just enough so that DECORATIVE NUTS (30) fit flush when the CANOPY (15) is mounted. Remove the CANOPY (15) and tighten both 1/8" IPS HEX NUTS (4) down on the MOUNTING STRAP (2).
3. Slide the DECORATIVE SLEEVE (28) down the FIXTURE WIRES (6, 9 & 11) and over the threaded rod. Slide the CANOPY (15) down the FIXTURE WIRES (6, 9 & 11) and use the HEX NUT WITH HAT (29) to attach the CANOPY (15) to the threaded rod. Adjust the SCROLL ARMS (20) on the FIXTURE (21) so that they are level.
4. Attach the power supply wires to the fixture lead wires by connecting the BLACK SUPPLY WIRE (8) to the SMOOTH FIXTURE LEAD WIRE (9) and the WHITE SUPPLY WIRE (10) to the RIBBED FIXTURE LEAD WIRE (11). Loop the SUPPLY GROUND WIRE (7) around the GROUND SCREW (13) on the MOUNTING STRAP (2). [Note: Be sure to provide an extra 3in. length of the SUPPLY GROUND WIRE (7) for connections to the FIXTURE GROUND WIRE (6).] Connect the remaining SUPPLY GROUND WIRE (7) to the FIXTURE GROUND WIRE (6). Use a WIRE CONNECTOR (13) for all wire connections. Push wiring and connections inside the OUTLET BOX (1). [See Fig. 1]
5. Place the CANOPY (15) over the FIXTURE SCREWS (4) and secure with the DECORATIVE NUTS (30) provided.
6. Install bulbs, **MAXIMUM 60W** each.
7. Attach THREADED ROD (22) to the bottom of the FIXTURE (21) and secure with the (uppermost) HEX NUT (22). Attach a GASKET (24) to the THREADED ROD (22), securing it with a HEX NUT (23), then place the GLASS SHADE (25) and the other GASKET (24) onto the THREADED ROD (22); secure with the other HEX NUT (23). Attach FINIAL PLATE (26) and secure with FINIAL (27).

INSTALLATION IS NOW COMPLETE

SEVILLE



3-LIGHT CONVERTIBLE (SEMI-FLUSH)

- | | |
|----------------------------------------------------------------|------------------------------|
| 1. OUTLET BOX (NOT INCLUDED) | 15. CANOPY |
| 2. MOUNTING PLATE | 20. SCROLL ARM |
| 3. OUTLET BOX SCREW and WASHER
(pre-attached to outlet box) | 21. FIXTURE |
| 4. FIXTURE SCREWS and HEX NUTS (pre-attached) | 22. THREADED ROD and HEX NUT |
| 6. FIXTURE GROUND WIRE | 23. HEX NUT |
| 7. SUPPLY GROUND WIRE (not included) | 24. GASKET |
| 8. BLACK SUPPLY WIRE (not included) | 25. GLASS SHADE |
| 9. SMOOTH FIXTURE LEAD WIRE | 26. FINIAL PLATE |
| 10. WHITE SUPPLY WIRE (not included) | 27. FINIAL |
| 11. RIBBED FIXTURE LEAD WIRE | 28. DECORATIVE SLEEVE |
| 12. WIRE CONNECTOR | 29. HEX NUT WITH HAT |
| 13. GROUND SCREW (pre-attached) | 30. DECORATIVE NUT |

Customer Service: 1 (800) 527-1292