

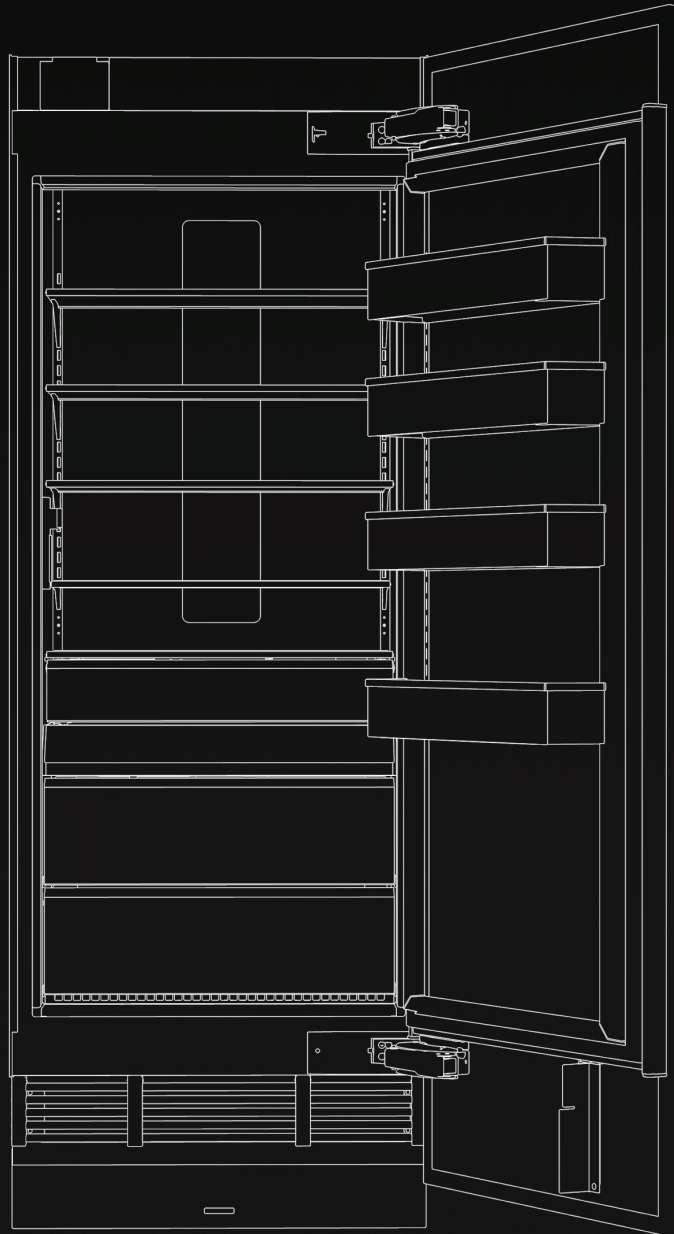
INSTALL

COLUMN REFRIGERATION

SINGLE UNIT

RÉFRIGÉRATEUR INTÉGRÉ EN COLONNE

COMPARTIMENT UNIQUE



JENNAIR®

Your safety and the safety of others are very important.

We have provided many important safety messages in this manual and on your appliance. Always read and obey all safety messages.



This is the safety alert symbol.

This symbol alerts you to potential hazards that can kill or hurt you and others.

All safety messages will follow the safety alert symbol and either the word "DANGER" or "WARNING."

These words mean:

⚠ DANGER

You can be killed or seriously injured if you don't immediately follow instructions.

⚠ WARNING

You can be killed or seriously injured if you don't follow instructions.

All safety messages will tell you what the potential hazard is, tell you how to reduce the chance of injury, and tell you what can happen if the instructions are not followed.

IMPORTANT SAFETY INSTRUCTIONS

WARNING: To reduce the risk of fire, electric shock, or injury when using your refrigerator, follow these basic precautions:

- To avoid a hazard due to instability of the appliance, it must be fixed in accordance with the instructions.
- Plug into a grounded 3 prong outlet.
- Installation shall be performed only by manufacturer, or an authorized agent.
- Do not remove ground prong.
- Do not use an adapter.
- Do not use an extension cord.
- Disconnect power before servicing.
- Replace all parts and panels before operating.
- Remove doors from your old refrigerator.
- Use nonflammable cleaner.
- Do not store or use petrol, flammable liquids or gas in the vicinity of this or other electrical appliances. The fumes can cause fires or explosions.
- Do not store explosive substances such as aerosol cans with a flammable propellant in this refrigerator.
- Do not use or place electrical devices inside the refrigerator compartments if they are not of the type expressly authorized by the manufacture.
- Use two or more people to move and install refrigerator.
- Disconnect power before installing ice maker (on ice maker kit ready models only).
- A qualified service technician must install the water line and ice maker. See installation instruction supplied with ice maker kit IC13B for complete details.
- Connect to a potable water supply only.
- Use a sturdy glass when dispensing ice (on some models).
- This appliance is not intended for use by persons (including children) with reduced physical, sensory or mental capabilities, or lack of experience and knowledge, unless they have been given supervision or instruction concerning use of the appliance by a person responsible for their safety.
- Children should be supervised to ensure that they do not play with the appliance.
- To avoid the risk of children becoming trapped and suffocating, do not allow them to play or hide inside the refrigerator.
- If the supply cord is damaged, it must be replaced by the manufacturer, its service agent or similarly qualified person in order to avoid a hazard.
- This refrigerator is intended to be used in household and similar applications such as:
 - staff kitchen areas in shops, offices, and other working environments
 - farm houses and by clients in hotels, motels, and other residential type environments
 - bed and breakfast type environments
 - catering and similar non-retail applications

SAVE THESE INSTRUCTIONS

⚠️ WARNING

Suffocation Hazard

Remove doors from your old refrigerator.

Failure to do so can result in death or brain damage.

Important information to know about disposal of refrigerants:

Dispose of refrigerator in accordance with Federal and Local regulations. Refrigerants must be evacuated by a licensed, EPA certified refrigerant technician in accordance with established procedures.



IMPORTANT: Child entrapment and suffocation are not problems of the past. Junked or abandoned refrigerators are still dangerous – even if they will sit for "just a few days." If you are getting rid of your old refrigerator, please follow these instructions to help prevent accidents.

Before You Throw Away Your Old Refrigerator or Freezer:

- Take off the doors.
- Leave the shelves in place so that children may not easily climb inside.

E A S E . S P E E D . S A F E T Y .

With the launch of the first ever JennAir® columns, we reimagined the entire columns installation process, eliminating problems that affect our sub-par competitors. Some of the features professional installers are most excited about:

- **Concealed six-point panel adjustment**
Easy and precise alignment
- **Site-tailored Rotter system shims**
Guide and keep column in position
- **Precision four-point front leveling**
On sturdy rollers that easily bear full weight
- **Metal fascia**
Increases durability
- **Solid wood core stainless steel panels**
Easy to prep and hang and do not require drilling through steel
- **Expanded utility areas**
Reduced changes to replace built-ins or upgrade from competitor columns

And with your help, we'll just keep getting better.

Contact the JennAir Epicenter through jennair.com or at 1-800-JENNAIR (536-6247) to report installation tips and tricks, or to consult with experts who know the installation process inside and out.

WHY WE LOVE JENNAIR INSTALLERS

THEY'RE TOTAL PROFESSIONALS (AND PERFECTIONISTS).

It's all about getting that seamless flush execution, that down-to-the-millimeter adjustment. Flawless installation is incredibly important to the function, appearance and lifetime enjoyment of our products, and our installers make it happen every day.

THEY DO THEIR HOMEWORK. AND HELP US WITH OURS.

These experts know JennAir® products inside and out. They train extensively on JennAir installation, learning the latest techniques and insider tips so they can install our cutting edge appliances with ease. And we value their input, incorporating installer feedback to refine and perfect our installations.

THEY THINK THROUGH EVERY DETAIL OF THE EXPERIENCE.

Above and beyond dedication is the baseline. The JennAir experience starts the minute an installer brings the customer's column home. Keeping the site spotless, taking extreme care with both the appliances and the home and providing an unforgettable introduction to columns is all part of the game plan.

TABLE OF CONTENTS

INTRODUCTION

- 02** SAFETY INSTRUCTIONS
- 06** TOOLS & PARTS
- 08** PRODUCT DIMENSIONS
- 10** OPENING DIMENSIONS
- 12** SITE PREP

PREPARATION

- 16** SECTION 1 // COLUMN
- 21** SECTION 2 // FURNITURE

COLUMN

- 28** SECTION 3 // INSTALLATION

TOE-KICK

- 36** SECTION 4 // COLUMN PREPARATION
- 42** SECTION 5 // CUSTOM WOOD PREPARATION
- 46** SECTION 6 // STAINLESS STEEL PREPARATION
- 49** SECTION 7 // ALIGNMENT AND INSTALLATION

PANEL

- 55** SECTION 8 // CUSTOM WOOD PREPARATION
- 60** SECTION 9 // STAINLESS STEEL PREPARATION
- 63** SECTION 10 // HANGING AND ADJUSTMENT

COMPLETE

- 70** SECTION 11 // COMPLETE INSTALLATION

APPENDIX

- 74** ADDITIONAL SHIM INFORMATION

TABLE DES MATIÈRES

INTRODUCTION

- 76** INSTRUCTIONS DE SÉCURITÉ
- 80** OUTILS ET PIÈCES
- 82** DIMENSIONS DU PRODUIT
- 84** DIMENSIONS DE L'OUVERTURE
- 86** PRÉPARATION DE L'EMPLACEMENT

PRÉPARATION

- 90** SECTION 1 // RÉFRIGÉRATEUR INTÉGRÉ EN COLONNE
- 95** SECTION 2 // MEUBLE

RÉFRIGÉRATEUR INTÉGRÉ EN COLONNE

- 102** SECTION 3 // INSTALLATION

PLINTHE

- 110** SECTION 4 // PRÉPARATION DE L'APPAREIL
- 116** SECTION 5 // PRÉPARATION DU PANNEAU EN BOIS PERSONNALISÉ
- 120** SECTION 6 // PRÉPARATION DU PANNEAU EN ACIER INOXYDABLE
- 123** SECTION 7 // ALIGNEMENT ET INSTALLATION

PANNEAU

- 129** SECTION 8 // PRÉPARATION DU PANNEAU EN BOIS PERSONNALISÉ
- 134** SECTION 9 // PRÉPARATION DU PANNEAU EN ACIER INOXYDABLE
- 137** SECTION 10 // SUSPENSION ET AJUSTEMENT

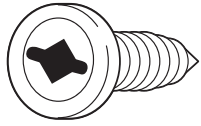
TERMINER

- 144** SECTION 11 // TERMINER L'INSTALLATION

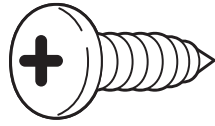
ANNEXE

- 148** INFORMATIONS SUPPLÉMENTAIRES SUR LES CALES

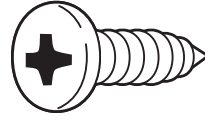
TOOLS + PARTS PROVIDED



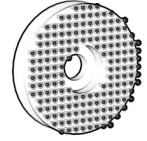
#2 Square-drive screws
(3-24004-079)



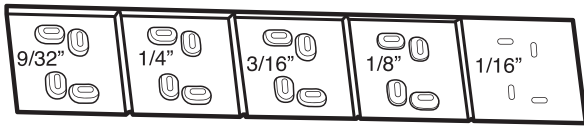
8-18 x 3/4 Phillips head screws
(W11041176)



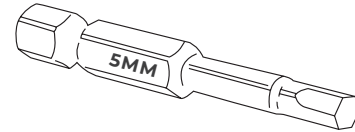
6-20 x .375 screws
(246131)



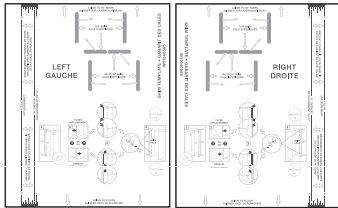
Gripping pads
(W10840464)



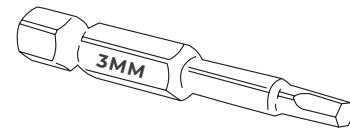
Four installation shims
(W10913387)



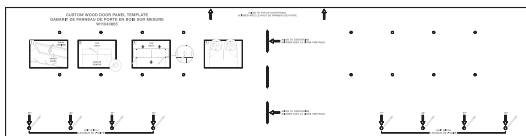
5 mm driver bit
(W11121505)



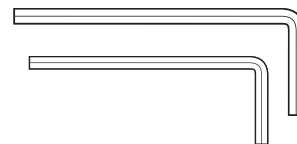
Shim installation template
(W11040585)



3 mm driver bit
(W11121512)



Toe-kick and door panel installation template
(W11040865)



3 mm Allen wrench
5 mm Allen wrench



READ AND FOLLOW THE INSTRUCTIONS PROVIDED WITH
ANY OF THE TOOLS LISTED

TOOLS + PARTS

NOT PROVIDED

TOOLS

- Cordless drill and drill bits or impact driver
- Drill bit set including 3/32" and 1/8" diameter bits
- Two adjustable wrenches
- #2 Phillips bit
- 1/4" magnetic nut driver
- #2 square-drive bit
- 48" or longer level or straight edge
- 3/8" and 1/2" open-end wrenches
- Tape measure
- Utility knife
- Masking tape
- Appliance dolly
- Right angle drill adapter
- 6" drill extension
- #8 pan head wood screws of assorted lengths including 1", 1-1/4", 1-1/2"

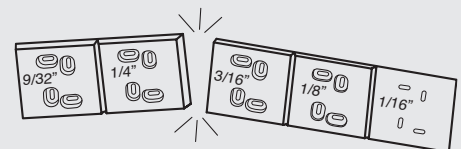
PARTS

- Flexible code-approved water supply line
- Custom door overlay panels
 - Stainless steel panels: order from JennAir
 - Custom wood panels: consult a qualified cabinetmaker or carpenter
- Additional fasteners will be required according to the kitchen furniture construction

WHY USE ROTTER SYSTEM SHIMS?

This recommended process might be unfamiliar to you as an installer, but it adds enormous value to both you and your client. Use the Rotter system to:

- Help position column without scratching
- Create precise 1/8" reveals on each side
- Always have ready-made shims tailored to each site
- Keep column stable in cutout over lifetime
- Eliminate misalignment issues for your client



DIMENSIONS

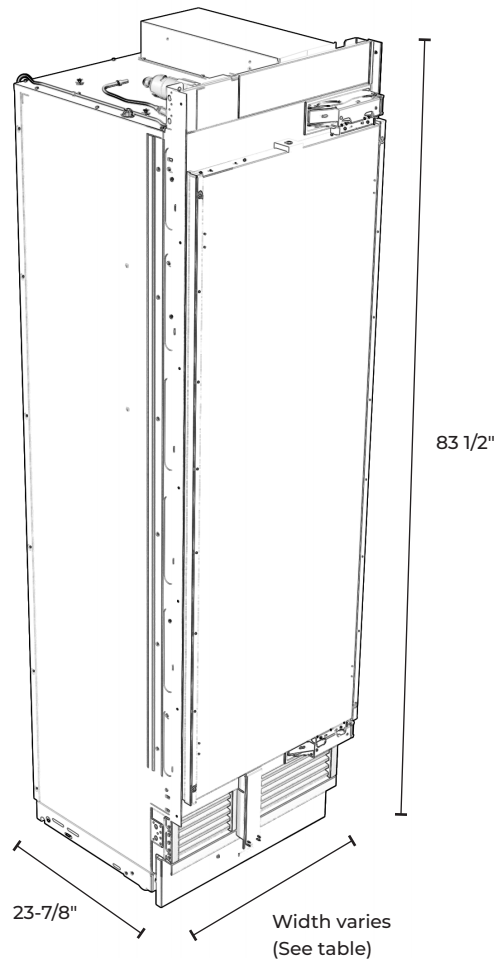
PRODUCT

OVERALL PRODUCT (NO PANEL)

Width	See unit width table below
Height	83-1/2" (212 cm)
Depth	23-7/8" (60.6 cm)
Raw Door Height	62-3/16" (157.9 cm)
Toe-kick Height	3-9/16" (9.1 cm)
Toe-kick Depth	3-1/4" – 4-7/8" (8.3 cm-12.4 cm)

PRODUCT WIDTH

Model	Width
18" JBZFR18IGX JBZFL18IGX	17-3/4" (45.1 cm)
24" JBRFR24IGX JBRFL24IGX JBZFR24IGX JBZFL24IGX	23-3/4" (60.3 cm)
30" JBRFR30IGX JBRFL30IGX JBZFR30IGX JBZFL30IGX	29-3/4" (75.6 cm)
36" JBRFR36IGX JBRFL36IGX	35-3/4" (90.8 cm)



DIMENSIONS

ACCESSORIES

STAINLESS STEEL PANEL

Height	80" (203.2 cm)
Thickness	13/16" (2.1 cm)

CUSTOM TOE-KICK

Height	3-9/16" (9.1 cm)
Thickness	3/16"-3/4" (.47 cm-1.9 cm)

CUSTOM PANEL

Thickness	3/4" (1.9 cm) max.
Weight	60 lbs. (27.2 kg) max.
Typical Height	80" (203.2 cm)

DOOR STYLE

CUSTOM PANEL WIDTH

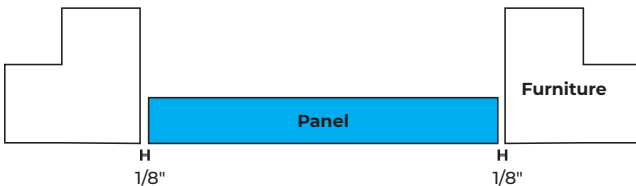
CAUTION

Pinch Hazard

Installation of door panels with less than a 3/8" (0.95 cm) gap between the door panel and the adjacent cabinet increases the risk of potential pinching.

MODEL	FLUSH WIDTH
18"	17-3/4" (45.1 cm)
24"	23-3/4" (60.3 cm)
30"	29-3/4" (75.6 cm)
36"	35-3/4" (90.8 cm)

MODEL	OVERLAY WIDTH
18"	19" (48.3 cm)
24"	25" (63.5 cm)
30"	31" (78.7 cm)
36"	37" (94 cm)

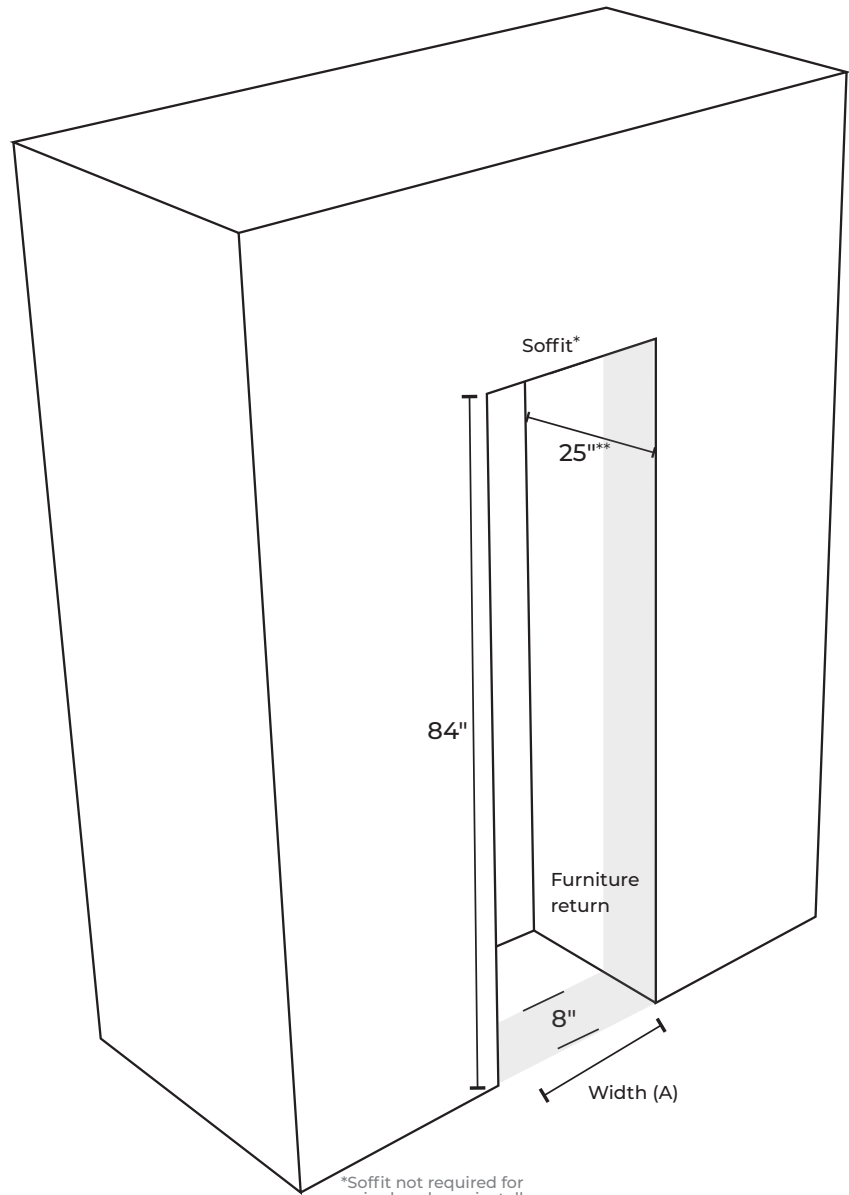


DIMENSIONS

OPENING

OPENING WIDTH

Model	Width (A)
18" JBZFR18IGX JBZFL18IGX	18" (45.7 cm)
24" JBRFR24IGX JBRFL24IGX JBZFR24IGX JBZFL24IGX	24" (61 cm)
30" JBRFR30IGX JBRFL30IGX JBZFR30IGX JBZFL30IGX	30" (76.2 cm)
36" JBRFR36IGX JBRFL36IGX	36" (91.4 cm)



*Soffit not required for a single column install
**24" with 24" trim kit

DIMENSIONS

OPENING

⚠ CAUTION

Pinch Hazard

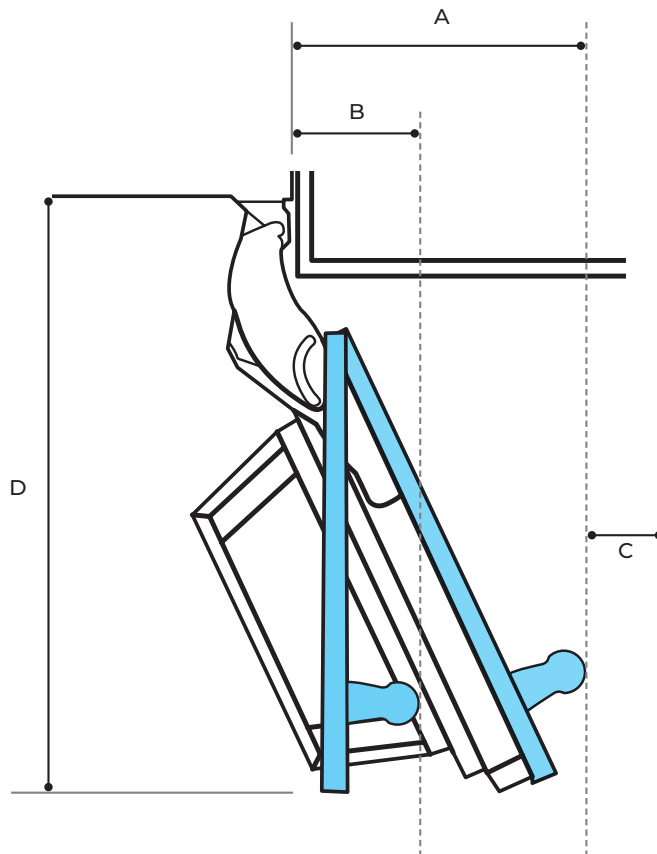
Installation of door panels with less than a $\frac{3}{8}$ " (0.95 cm) gap between the door panel and the adjacent cabinet increases the risk of potential pinching.

DOOR SWING REQUIREMENTS

Model	115° Door Swing "A"	90° Door Swing "B"	Wall Gap "C"	Door Open Depth "D"
18"	10-1/2" (26.7 cm)	5" (12.7 cm)	2-1/2" (6.4 cm)	44-1/2" (113 cm)
24"	13" (33 cm)	5" (12.7 cm)	2-1/2" (6.4 cm)	50-1/2" (128.3 cm)
30"	15-1/2" (39.4 cm)	5" (12.7 cm)	2-1/2" (6.4 cm)	56-3/8" (143 cm)
36"	18" (45.7 cm)	5" (12.7 cm)	2-1/2" (6.4 cm)	62-7/16" (158.6 cm)

Dimensions give 2-1/2" spacing between stainless steel handle accessory and wall to avoid pinching.

For a custom wood panel, consider handle depth to maintain 2-1/2" spacing.



SITE PREP

1. CHECK THE FURNITURE

- Measure to make sure all opening dimensions are correct. (See previous page.)
- Side panel construction: 3/4" (1.9 cm) thick plywood
IMPORTANT: Cannot be constructed of pressed fiber material such as MDF.
- Soffit height (if present): 84" (213.4 cm)

⚠ WARNING



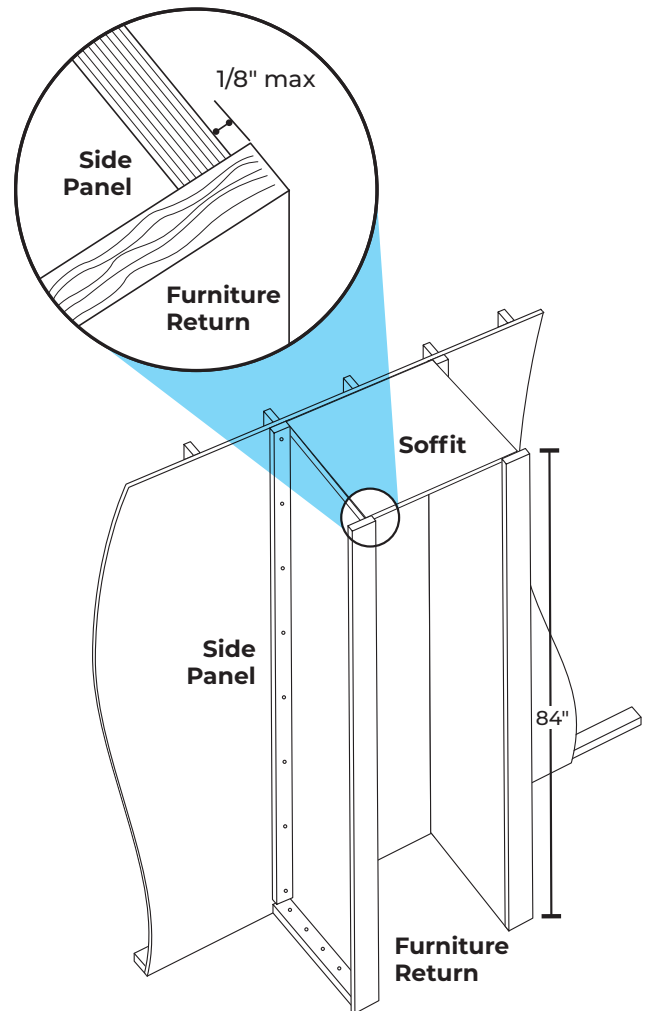
Explosion Hazard

Keep flammable materials and vapors, such as gasoline, away from refrigerator.

Failure to do so can result in death, explosion, or fire.

2. CHECK THE INSTALLATION SITE

- Away from ovens, radiators or other heat sources.
- Temperature will not fall below 55° F (13° C).
- Floor supports more than 600 lbs. (272 kg) plus door panel and contents weight.
- Floor level with the room.
- Furniture face plumb.



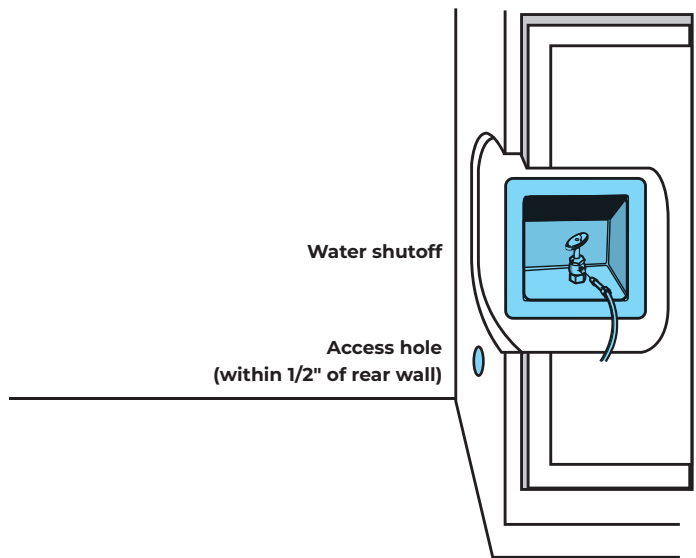
SITE PREP

3. CHECK THE WATER SUPPLY

- Water supply meets local plumbing codes.
- Water shutoff in base cabinet, as shown, or accessible area.
- Access hole through the cabinet is within 1/2" (1.3 cm) of the rear wall.
- Install any additional tubing only where temperatures remain above freezing. Check for leaks.
- Not using a piercing-type or 3/16" (4.76 mm) saddle valve. See refrigerator dealer for saddle-type valve kit that complies with local plumbing codes.
- If water pressure to reverse osmosis system is less than 40 to 60 psi (276 to 414 kPa):
 - Check sediment filter to see if it is blocked. Replace filter if necessary.
 - Allow the storage tank to refill after heavy usage.
 - Remove the water filter cartridge. No filter bypass is necessary.

WATER SUPPLY REQUIREMENTS

Water Pressure	30 – 120 psi (207 – 827 kPa)
Water Pressure to Reverse Osmosis System	Minimum 40 – 60 psi (276 – 414 kPa)
Excess Water Line for Connection	30" (76.2 cm)
Supply	1/4" OD copper, braided stainless steel or PEX tubing



? IF YOU HAVE QUESTIONS ABOUT YOUR WATER SUPPLY, CALL A LICENSED, QUALIFIED PLUMBER

SITE PREP

⚠ WARNING



Electrical Shock Hazard

Plug into a grounded 3 prong outlet.

Do not remove ground prong.

Do not use an adapter.

Do not use an extension cord.

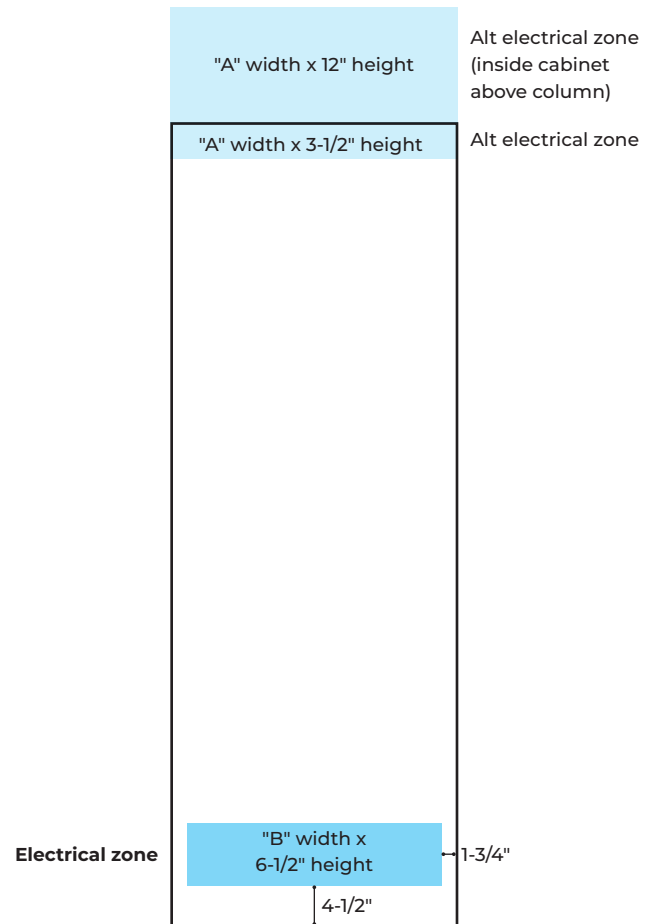
Failure to follow these instructions can result in death, fire, or electrical shock.

4. CHECK THE ELECTRICAL

- Column on a separate circuit. Outlet cannot be turned off by a switch.
- Not using an extension cord.
- Not using a GFCI protected outlet.
- Electrical installed in the zones highlighted. (See graphic to the right.)

ELECTRICAL REQUIREMENTS

Product Width/ Alternate Electrical Zone Width "A"	Electrical Zone Width "B"
18" (45.7 cm)	14-1/2" (36.8 cm)
24" (61 cm)	20-1/2" (52 cm)
30" (76.2 cm)	26-1/2" (67.3 cm)
36" (91.4 cm)	32-1/2" (82.6 cm)



IF YOU HAVE QUESTIONS ABOUT YOUR ELECTRICAL SUPPLY, CALL A LICENSED, QUALIFIED ELECTRICIAN

SITE PREP

5. PRE-INSTALLATION CHECK

- Verify customer's selected door style.
- Remove all installation materials from the deli drawer.
- Mark selected door style on templates and door depth gauges with a permanent marker.
- Verify that the diagonal measurements of opening match.
- Check design considerations document to verify panel and toe-kick dimensions, as well as gaps and overlays.

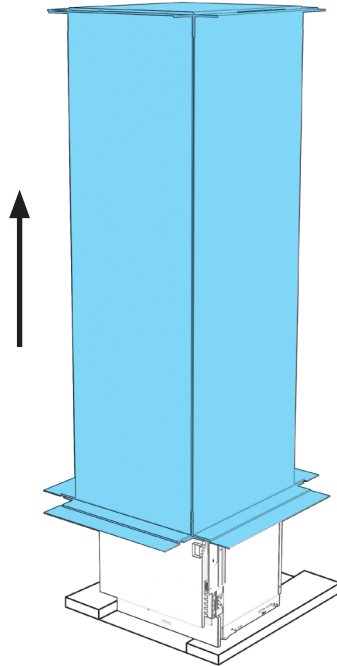
C O L U M N

PREPARATION



1.1

UNCRATE COLUMN, DISCARD CARTON.



REMOVE INSTALLATION KIT FROM DELI DRAWER WHILE ON SKIDS

BEFORE MOVING COLUMNS, REVIEW ALL WARNINGS.

⚠ WARNING



Tip Over Hazard

Refrigerator is top heavy and tips easily when not completely installed.

Keep doors taped closed until refrigerator is completely installed.

Use two or more people to move and install refrigerator.

Failure to do so can result in death or serious injury.

When Moving Your Refrigerator:

Your refrigerator is heavy. When moving the refrigerator for cleaning or service, be sure to cover the floor with cardboard or hardboard to avoid floor damage. Always pull the refrigerator straight out when moving it. Do not wiggle or “walk” the refrigerator when trying to move it, as floor damage could occur.

Important information to know about glass shelves and covers:

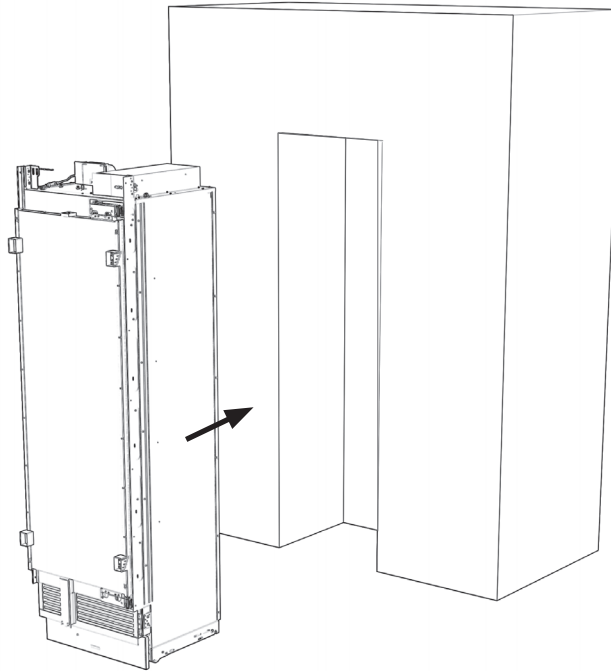
Do not clean glass shelves or covers with warm water when they are cold. Shelves and covers may break if exposed to sudden temperature changes or impact, such as bumping. Tempered glass is designed to shatter into many small, pebble-size pieces. This is normal. Glass shelves and covers are heavy. Use both hands when removing them to avoid dropping.

1

COLUMN PREPARATION

1.2

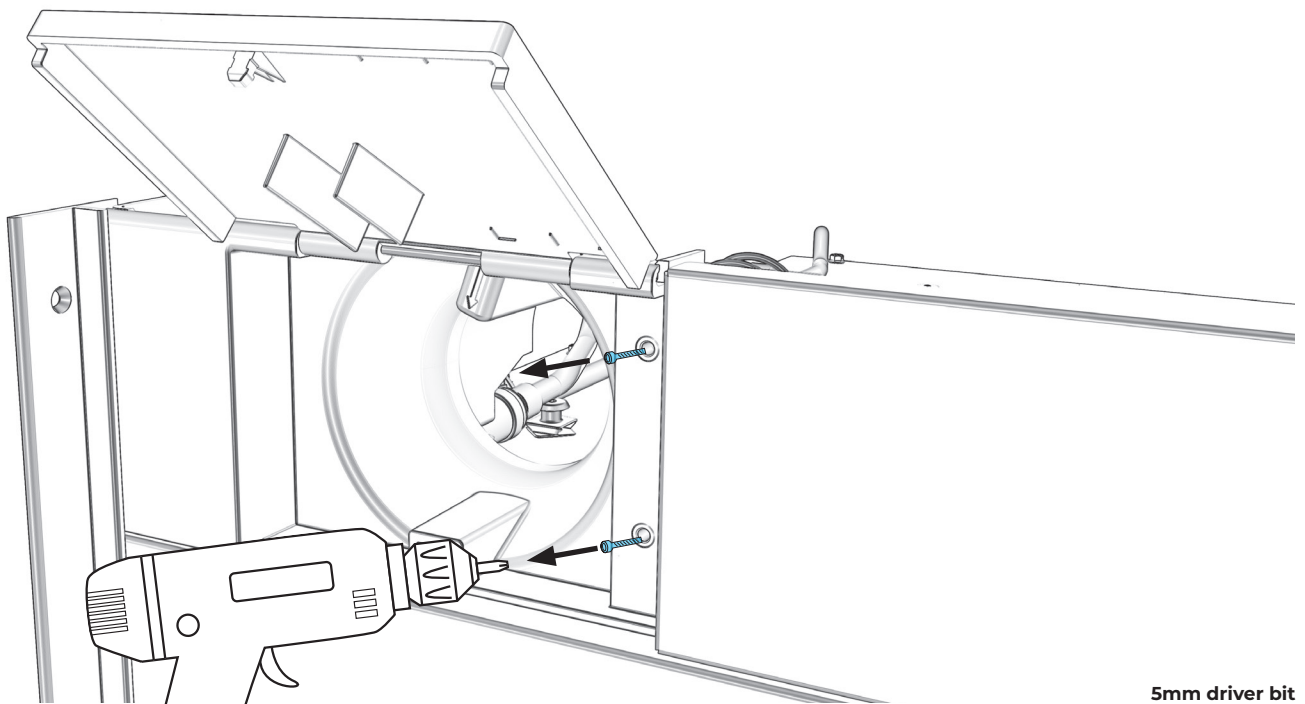
MOVE COLUMN IN FRONT OF OPENING.



USE TWO PEOPLE. DO NOT OPEN DOOR UNTIL COLUMN IS SECURED

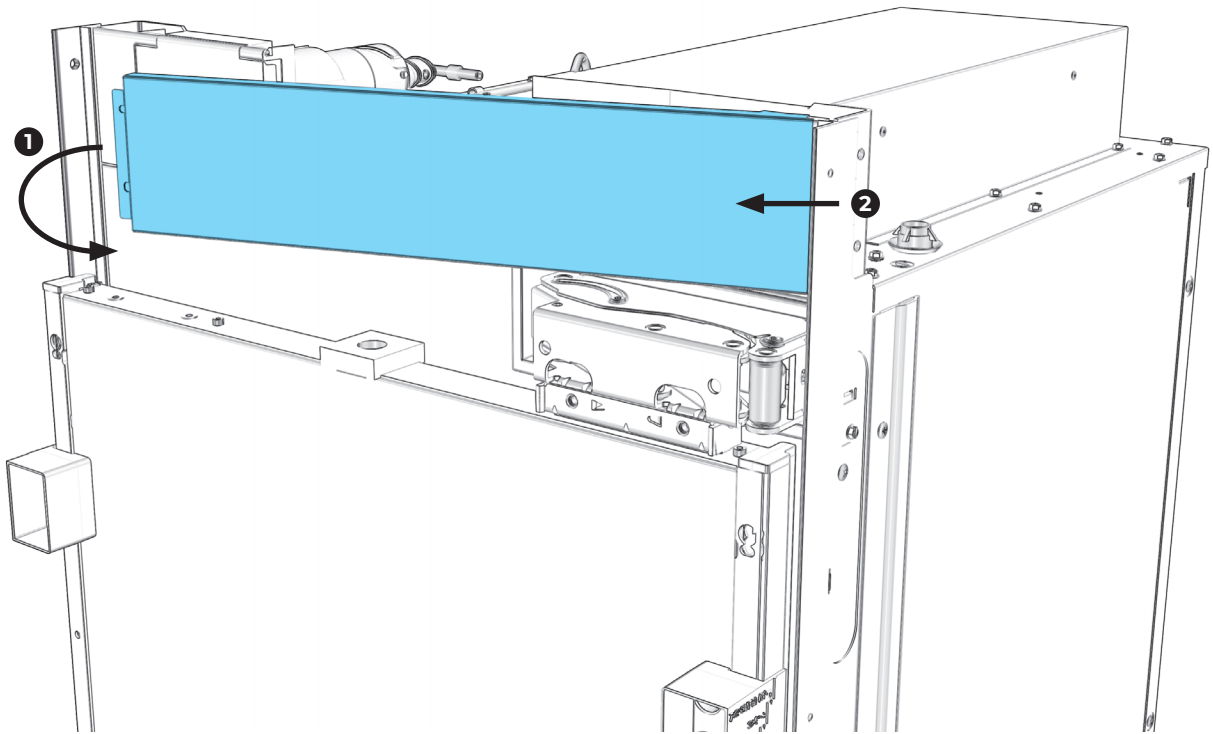
1.3

REMOVE BOTH WATER FILTER SCREWS.

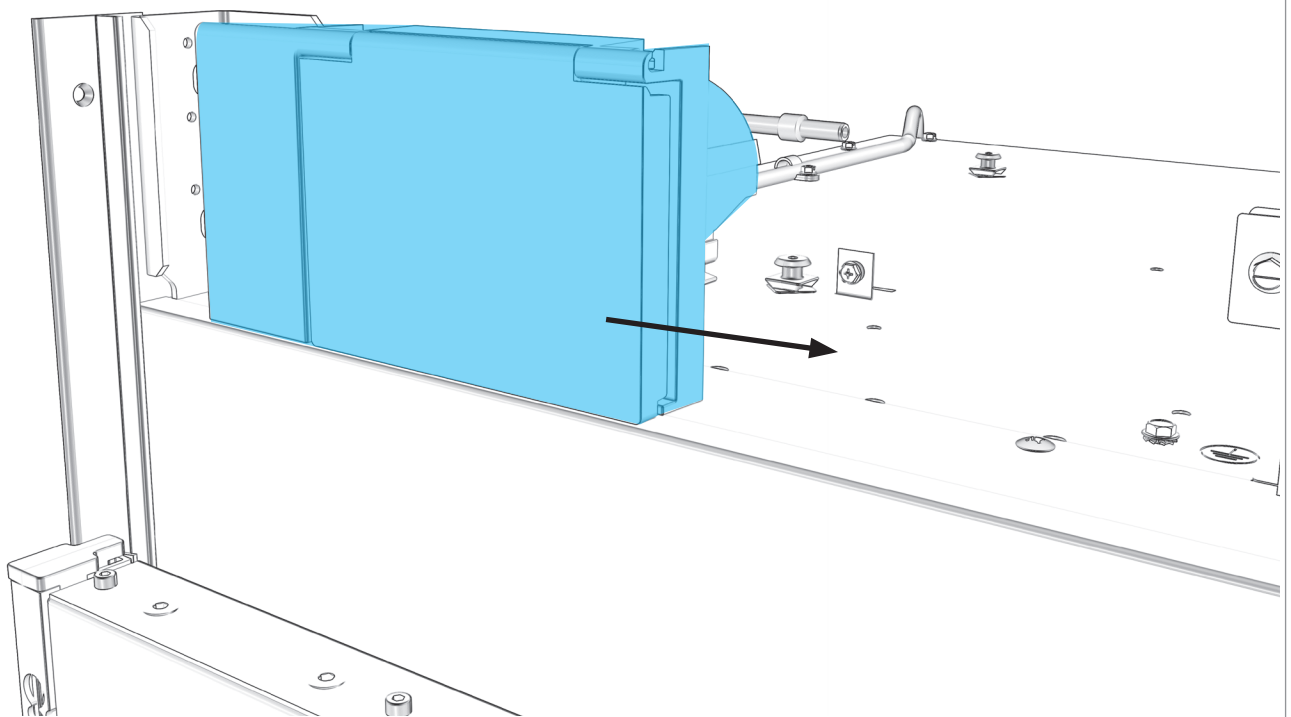


5mm driver bit

1.4 PULLING LEFT, REMOVE FACEPLATE.

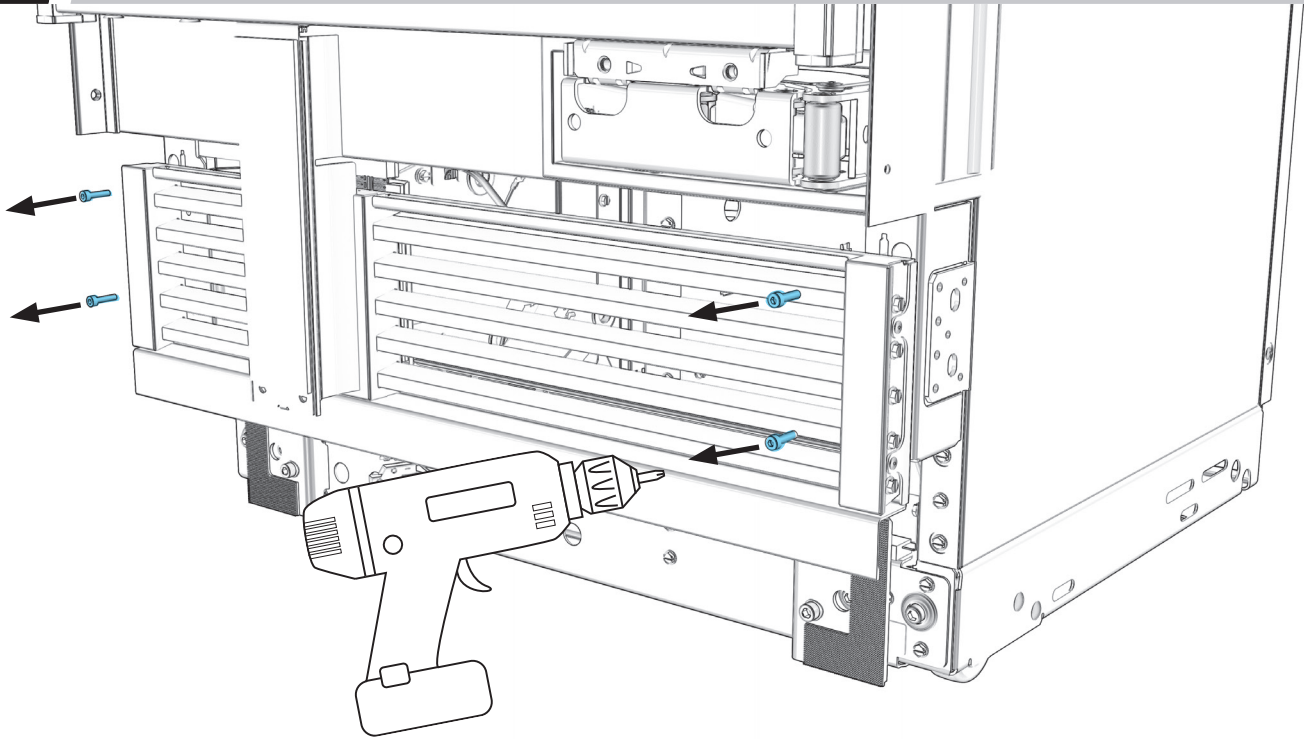


1.5 PULL HOUSING FORCEFULLY RIGHT, REMOVE.



1.6

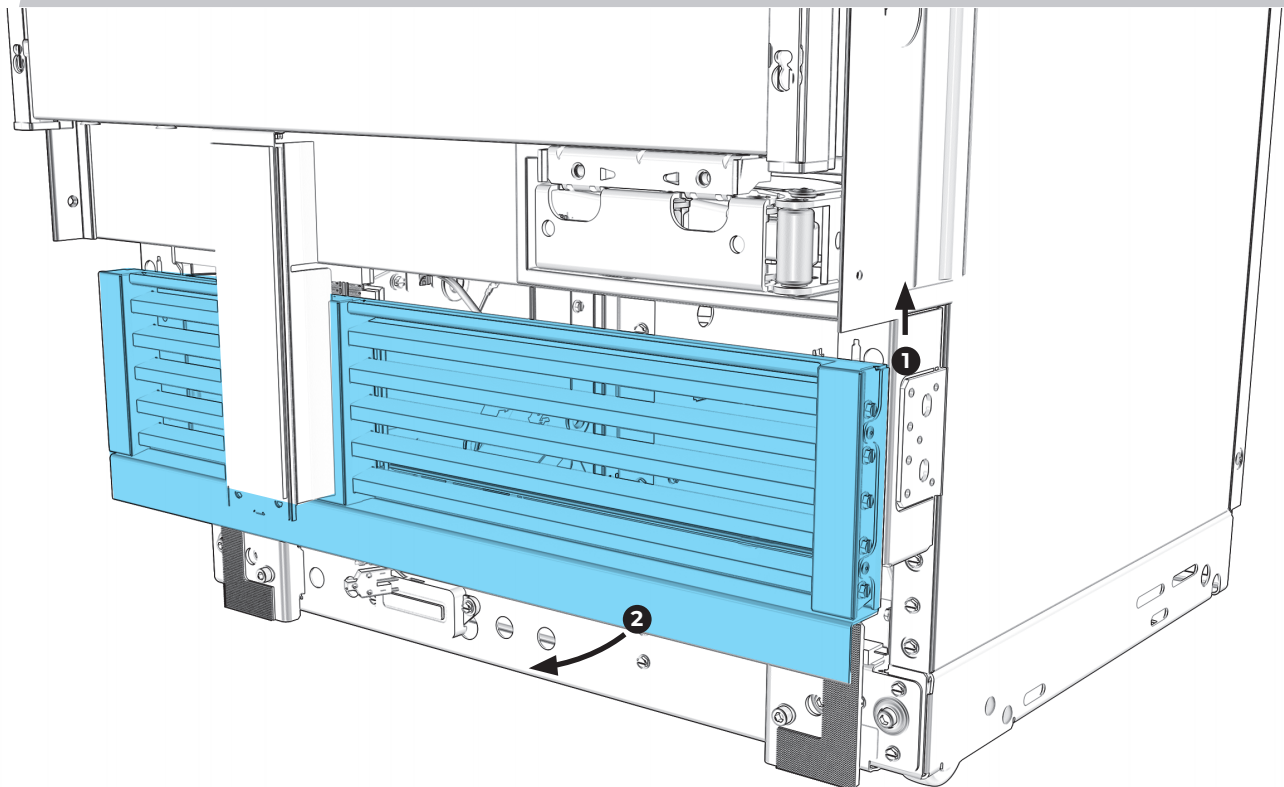
REMOVE FOUR AIR GRILLE SCREWS.



5mm driver bit

1.7

REMOVE BASE AIR GRILLE.



FURNITURE

PREPARATION

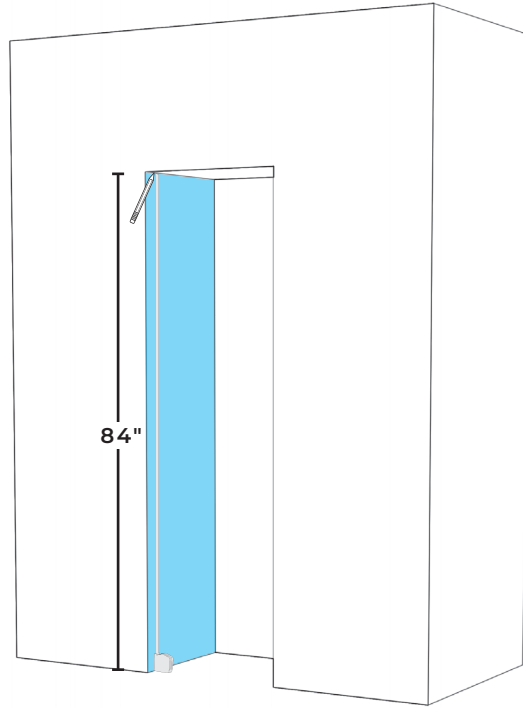


2

FURNITURE PREPARATION

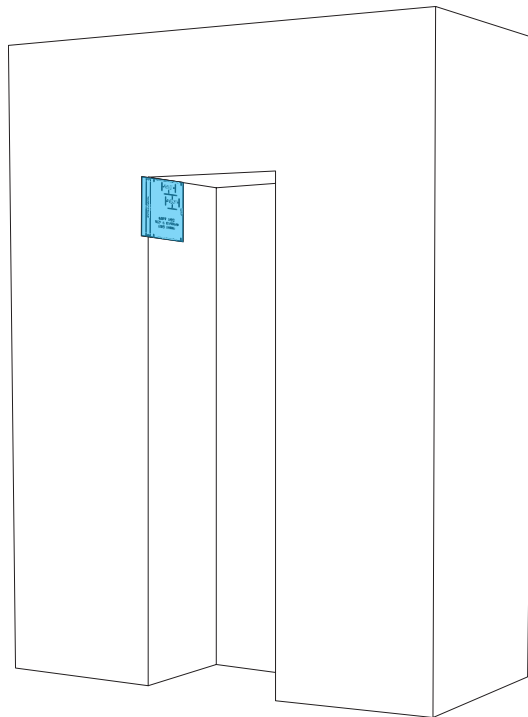
2.1

MEASURE AND MARK LEFT PANEL LINE.



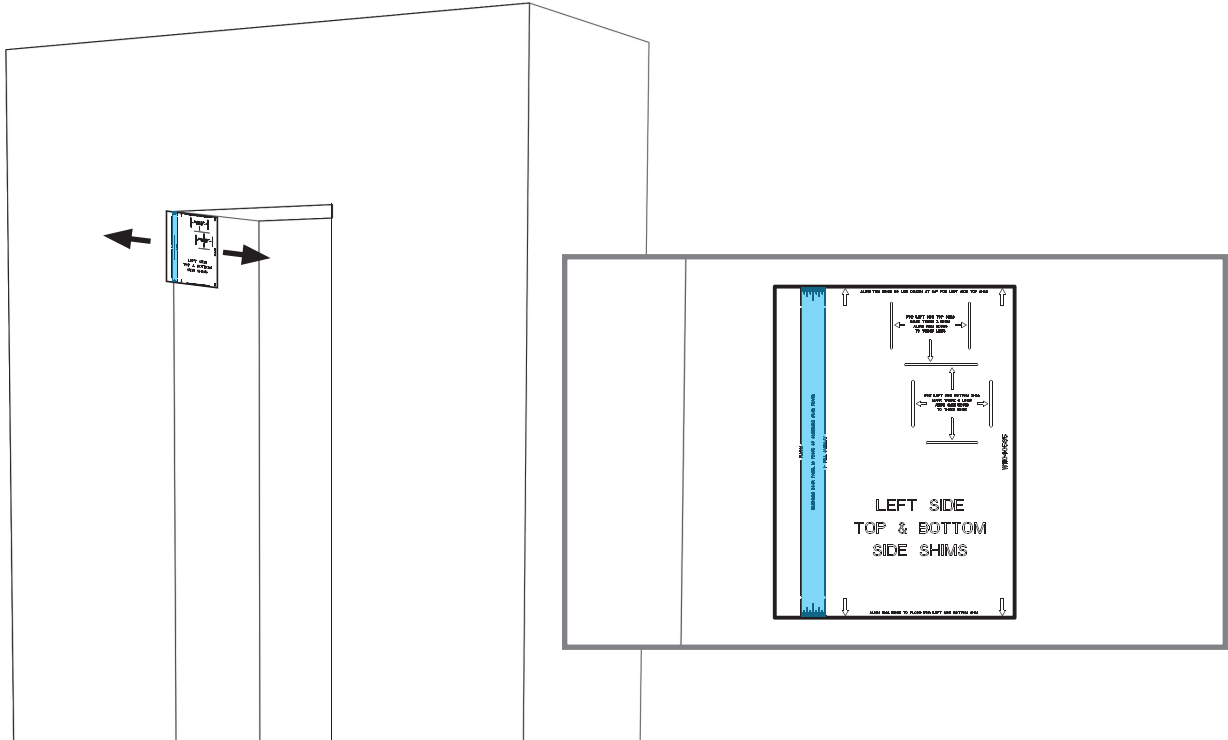
2.2

POSITION TEMPLATE ON LEFT PANEL.



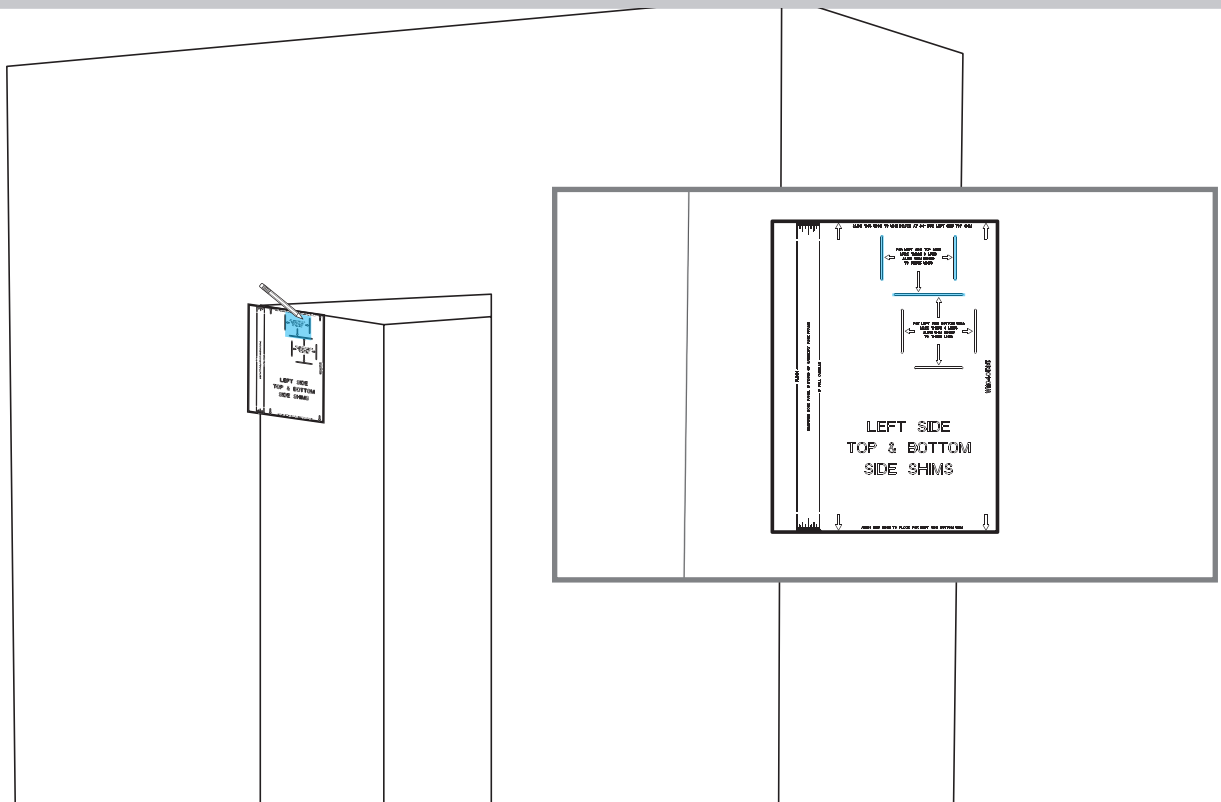
2.3

ALIGN DOOR STYLE LINE WITH CABINET FACE.



2.4

MARK TOP SHIM ALIGNMENT LINES.

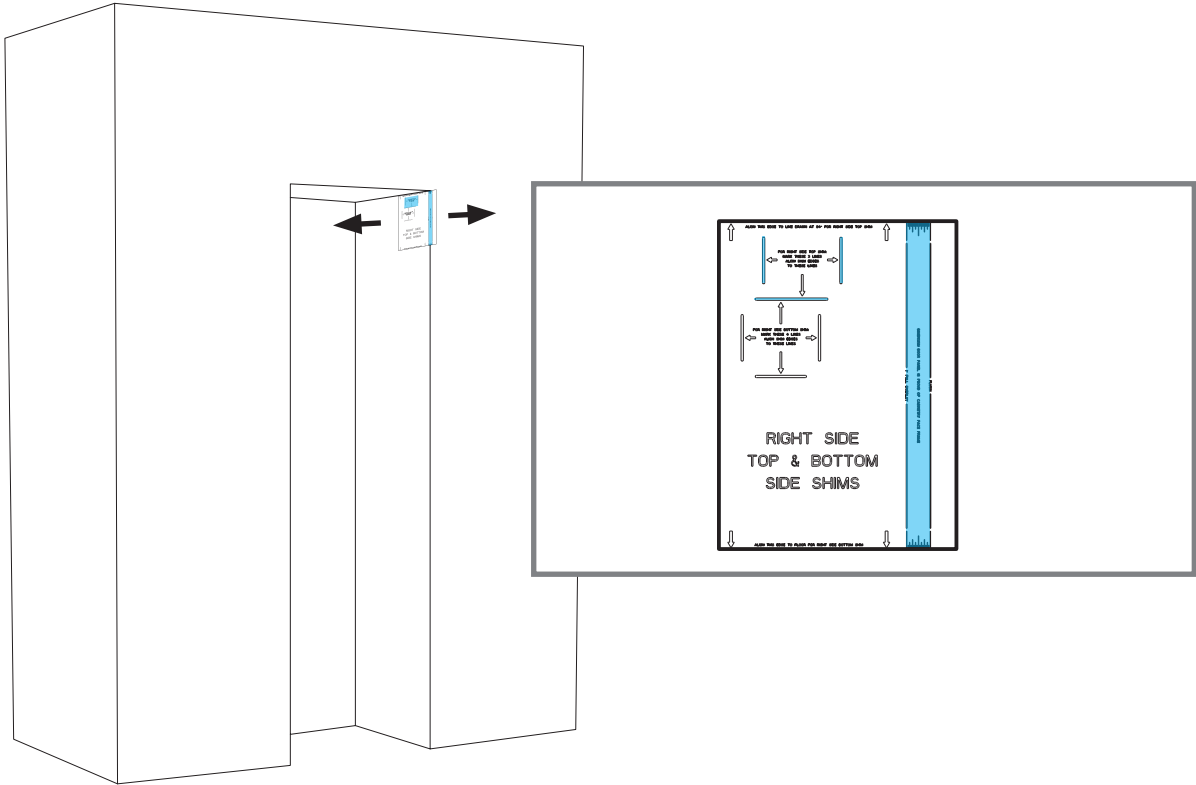


2

FURNITURE PREPARATION

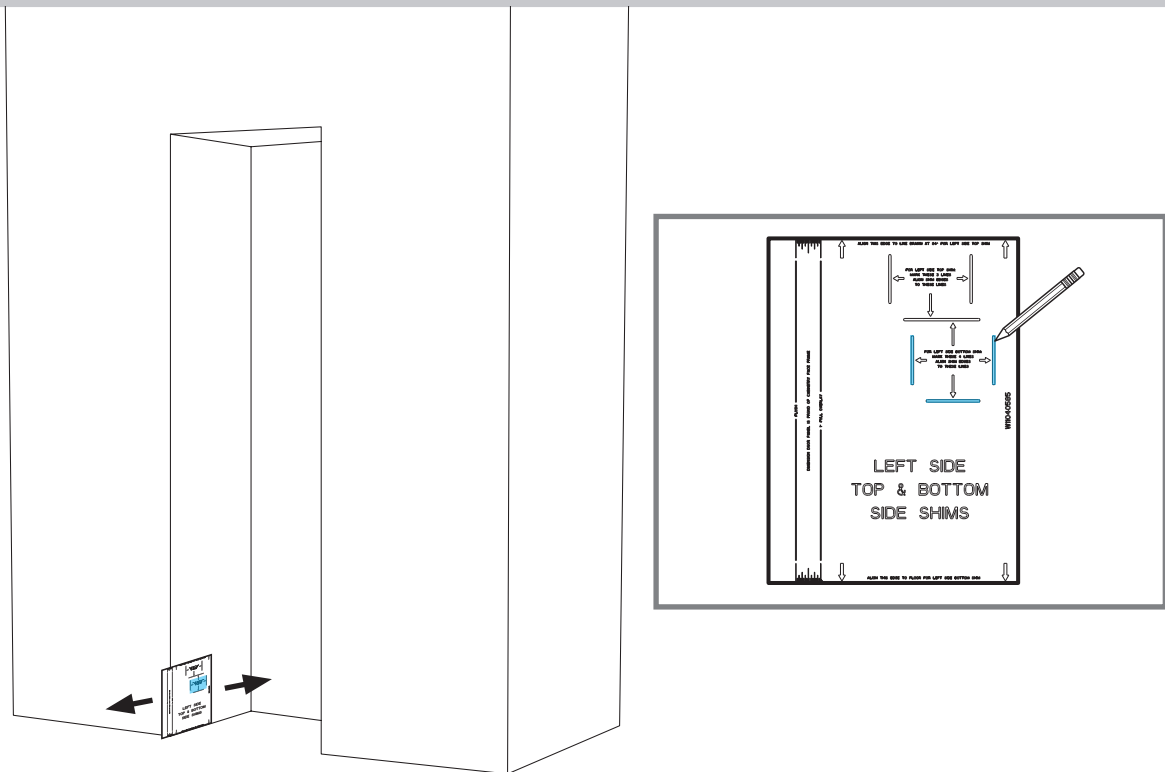
2.5

REPEAT 2.1-2.4 ON RIGHT PANEL.



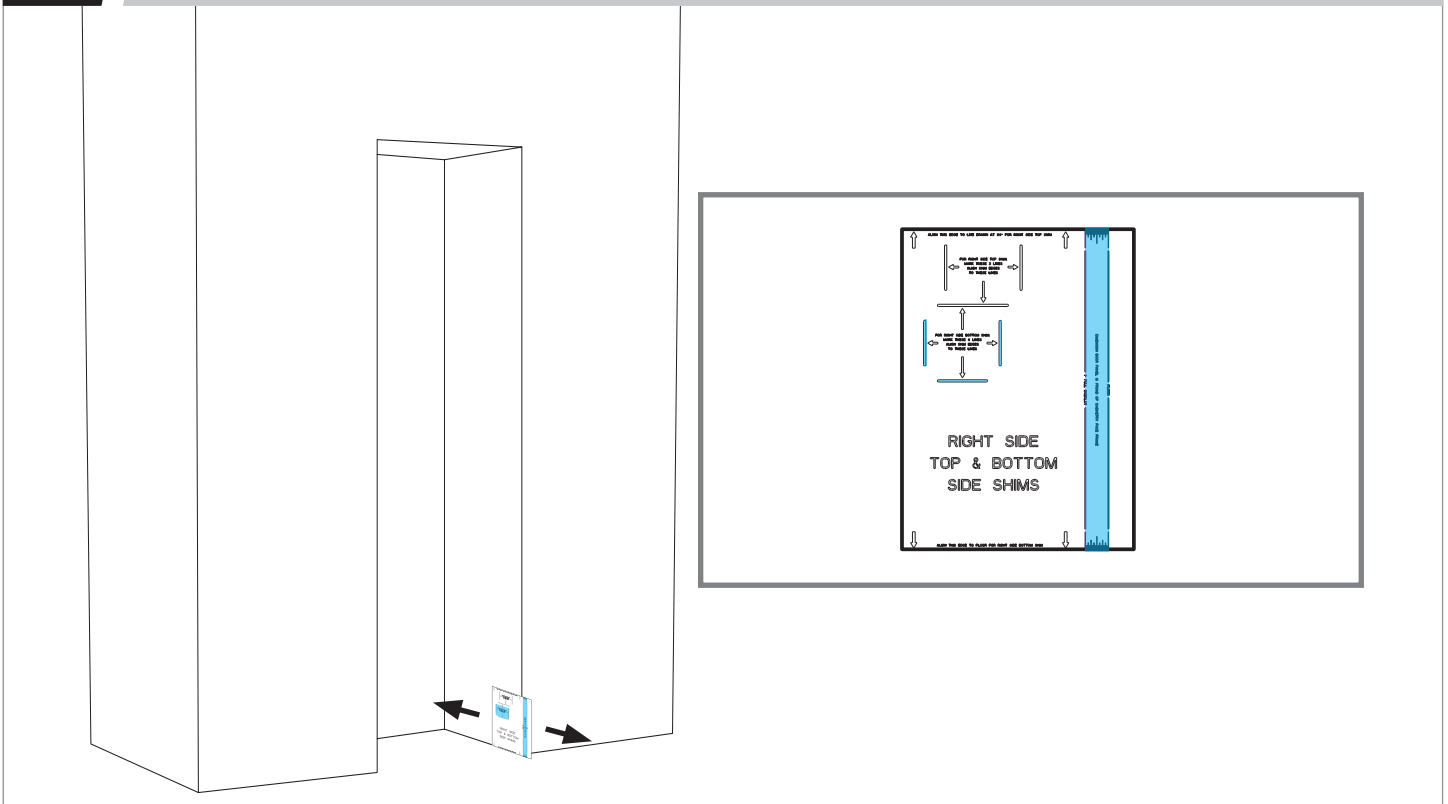
2.6

POSITION AND ALIGN TEMPLATE ON BOTTOM LEFT PANEL, MARKING SHIM ALIGNMENT LINES.



2.7

REPEAT STEP 2.6 ON RIGHT PANEL.



2.8

CRACK APART ROTTER SHIMS, ADHERE TO FOOTPRINTS.



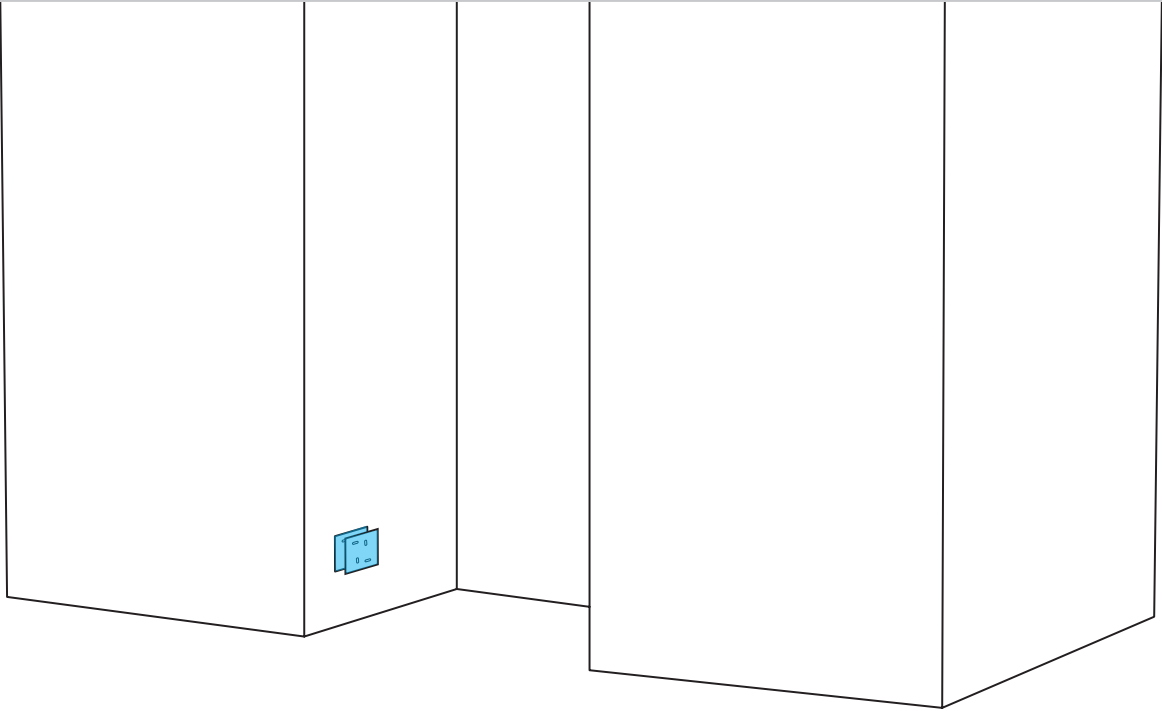
USE AT LEAST ONE 1/4" SHIM ON EACH FOOTPRINT

2

FURNITURE PREPARATION

2.9

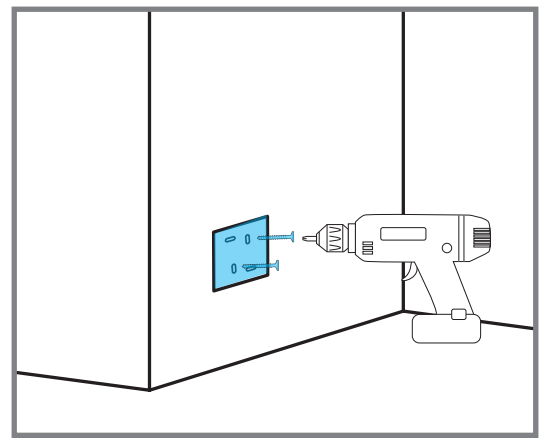
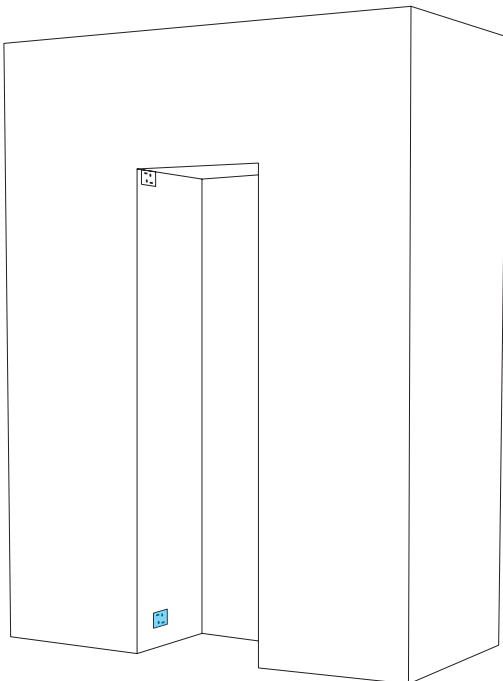
STACK ADDITIONAL SHIMS AS NEEDED.



SEE ADDITIONAL SHIM EQUATION IN APPENDIX

2.10

SECURE SHIMS TO SIDE PANELS.



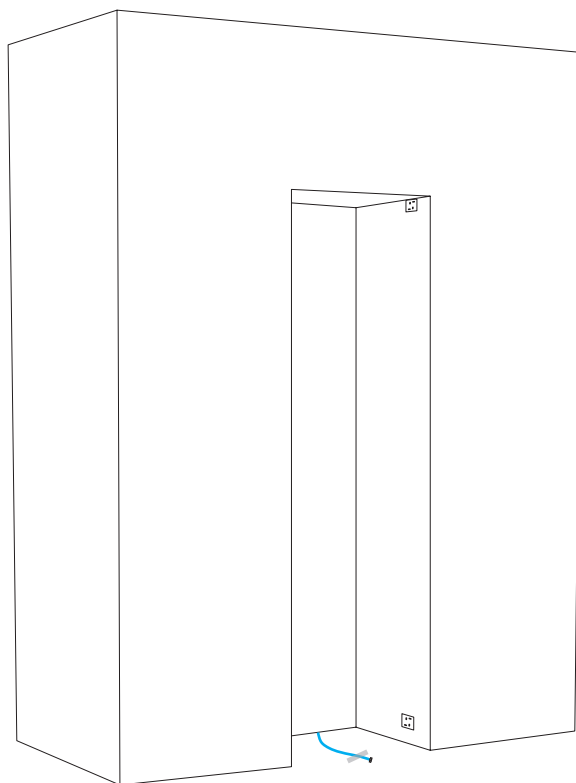
1/4" min. wood screws



USE A MINIMUM OF TWO WOOD SCREWS

2.11

TAPE WATER LINE TO FLOOR.

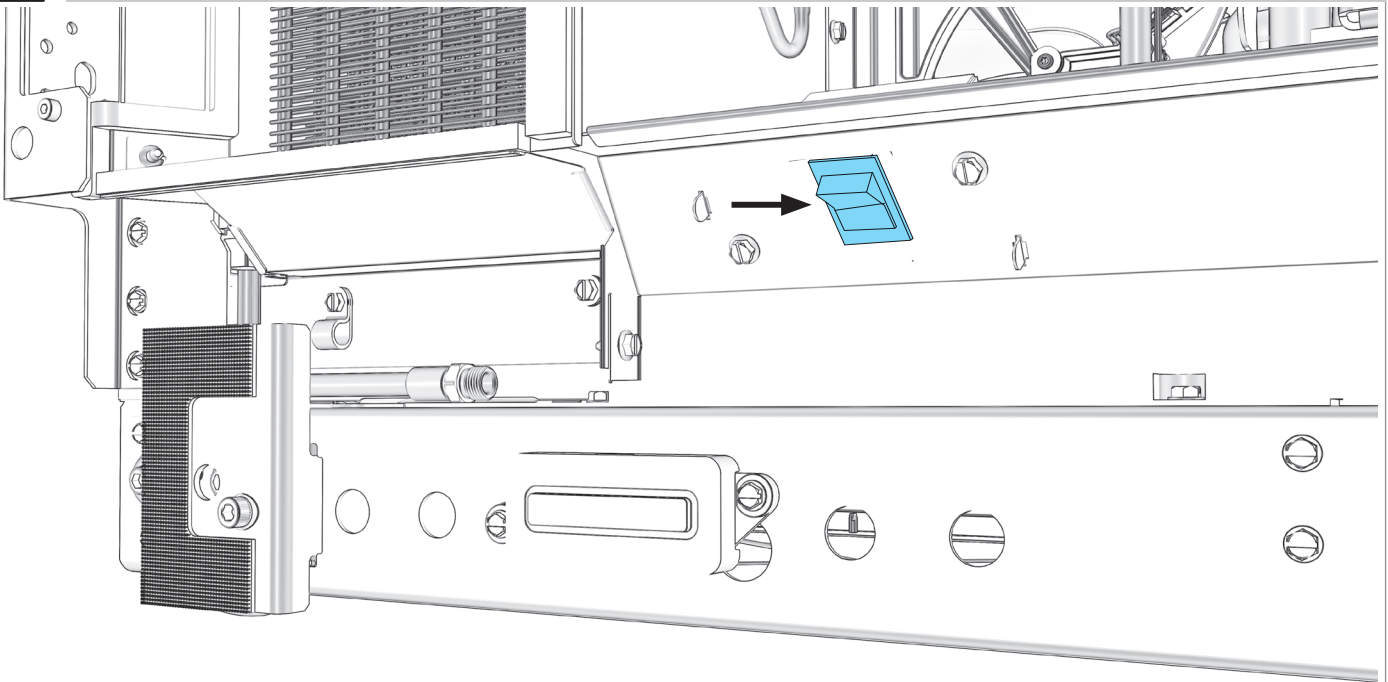


C O L U M N

INSTALLATION

3.1

SWITCH COLUMN OFF.



BEFORE PLUGGING IN COLUMN, READ WARNING.

⚠ WARNING



Electrical Shock Hazard

Plug into a grounded 3 prong outlet.

Do not remove ground prong.

Do not use an adapter.

Do not use an extension cord.

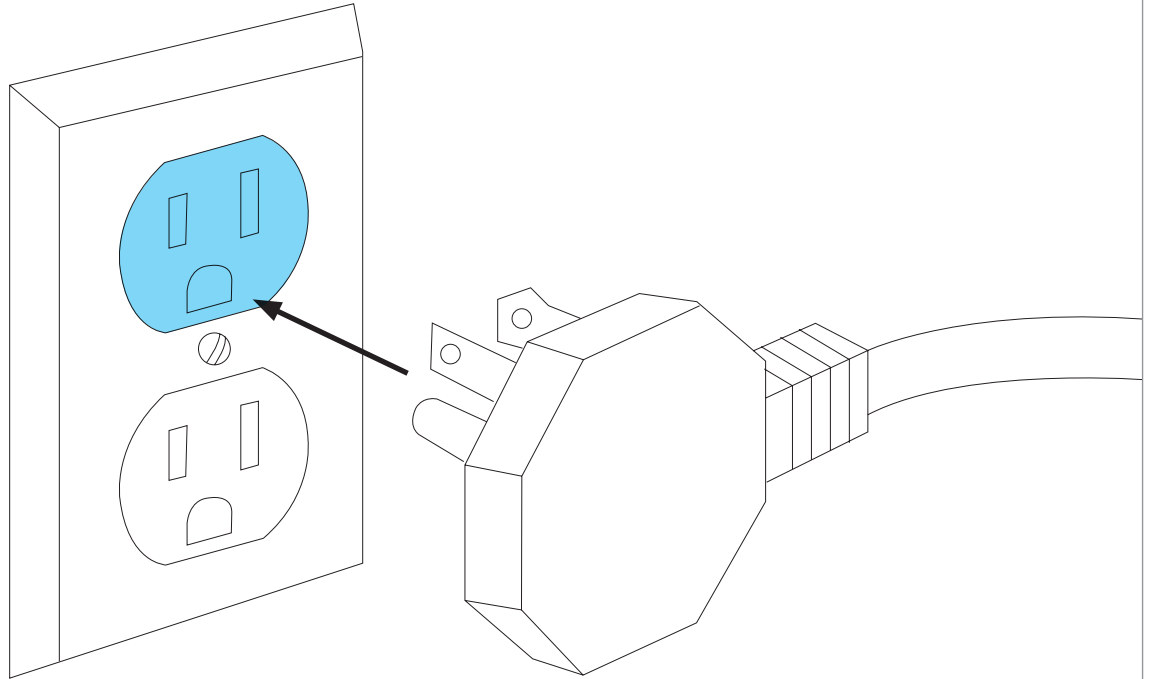
Failure to follow these instructions can result in death, fire, or electrical shock.

3

COLUMN INSTALLATION

3.2

PLUG INTO GROUNDED 3 PRONG OUTLET.



BEFORE MOVING COLUMN, READ WARNING.

! WARNING



Tip Over Hazard

Refrigerator is top heavy and tips easily when not completely installed.

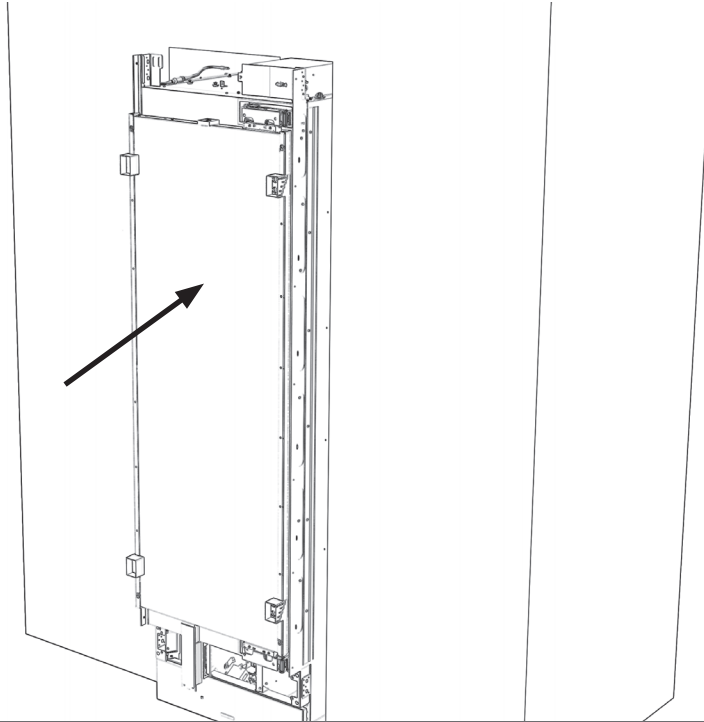
Keep doors taped closed until refrigerator is completely installed.

Use two or more people to move and install refrigerator.

Failure to do so can result in death or serious injury.

3.3

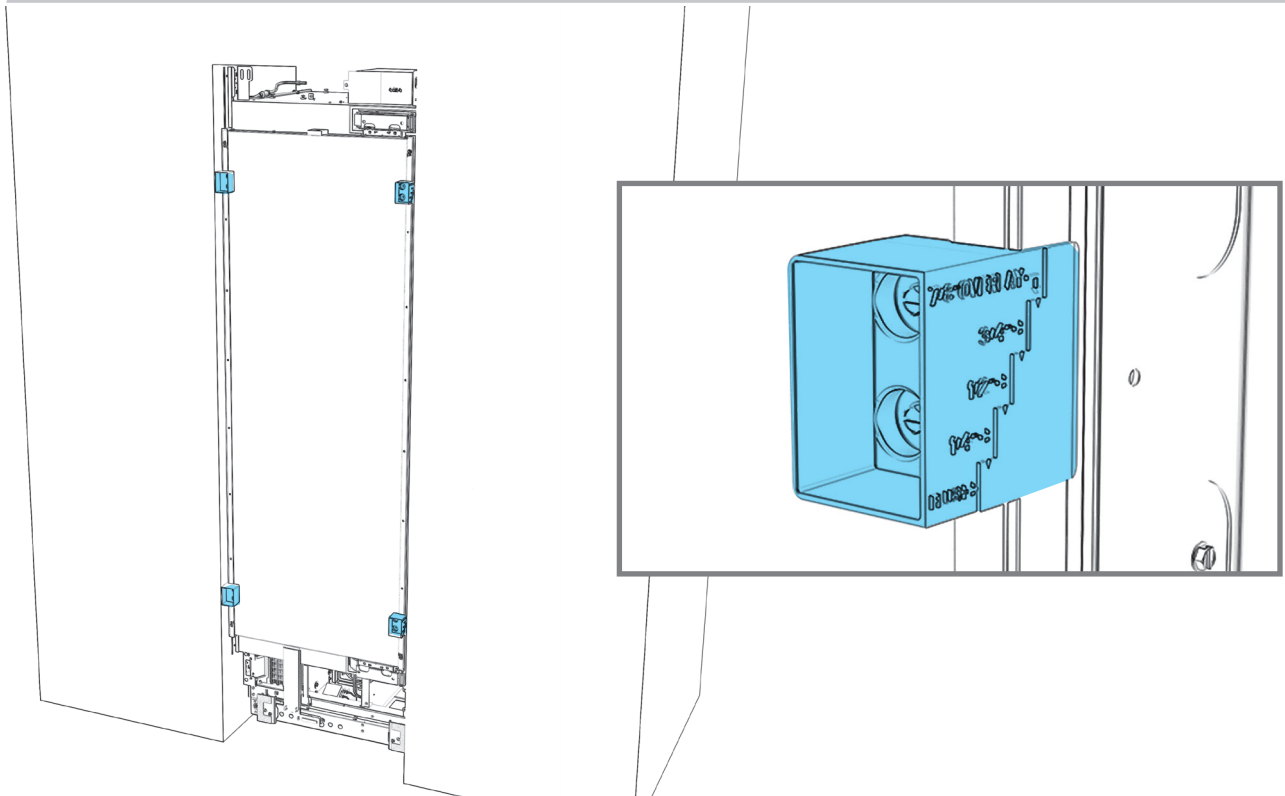
MOVE COLUMN INTO THE CUTOUT.



DO NOT DAMAGE THE WATER LINE

3.4

USE DEPTH GAUGES TO ALIGN.

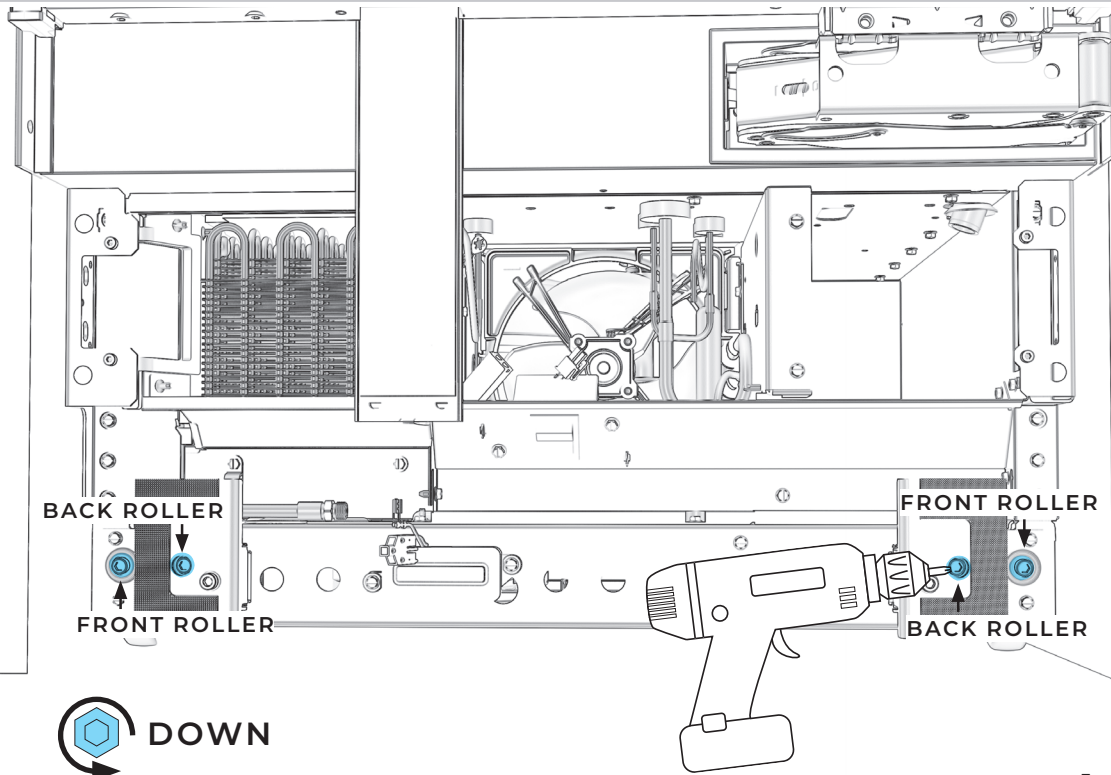


3

COLUMN INSTALLATION

3.5

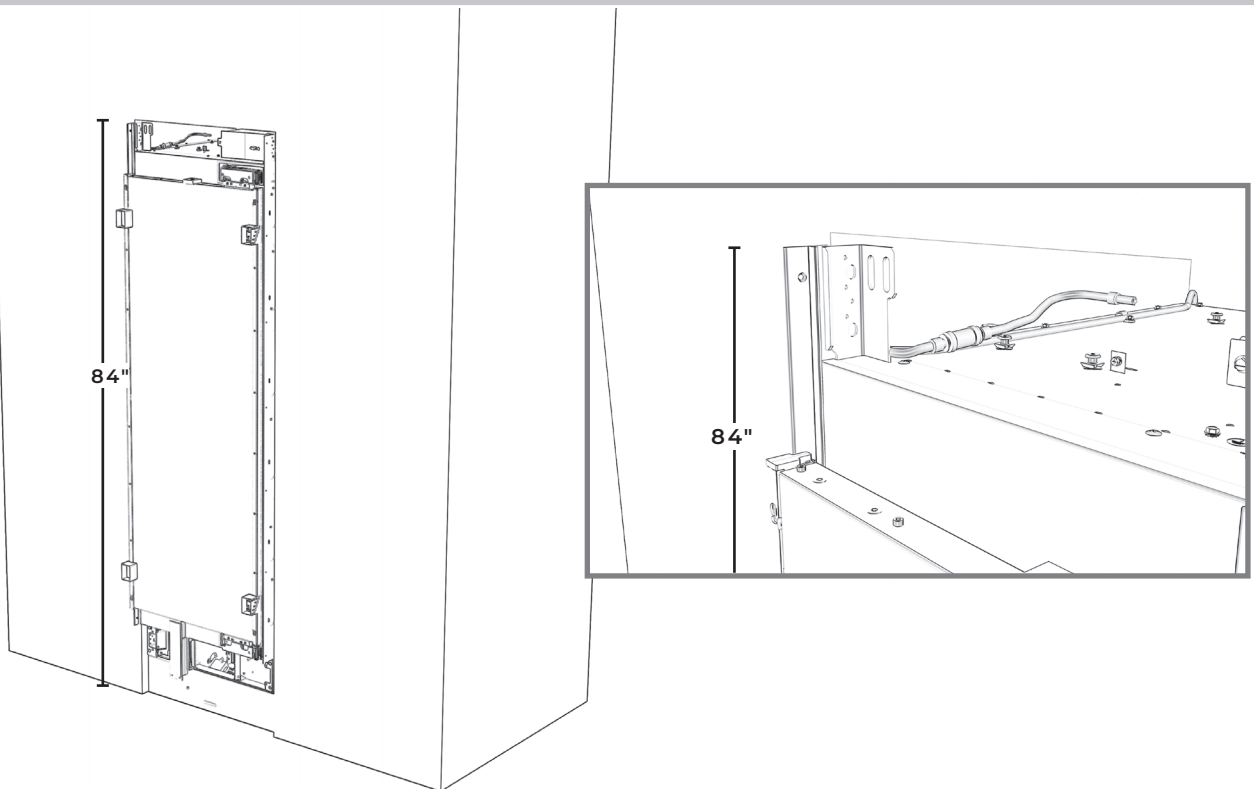
EXTEND LEVELING ROLLERS INDIVIDUALLY.



5mm driver bit

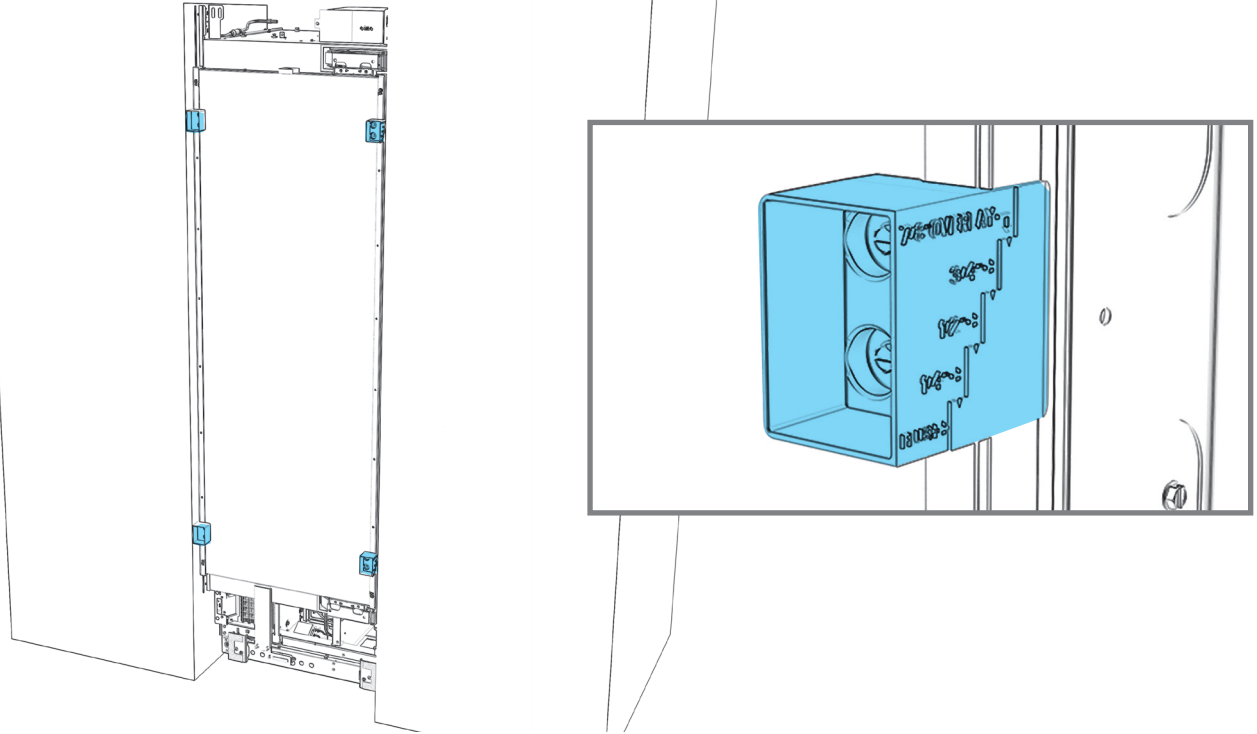
3.6

MAKE SURE INSTALLATION BRACKET ALIGNS WITH 84" LINE.



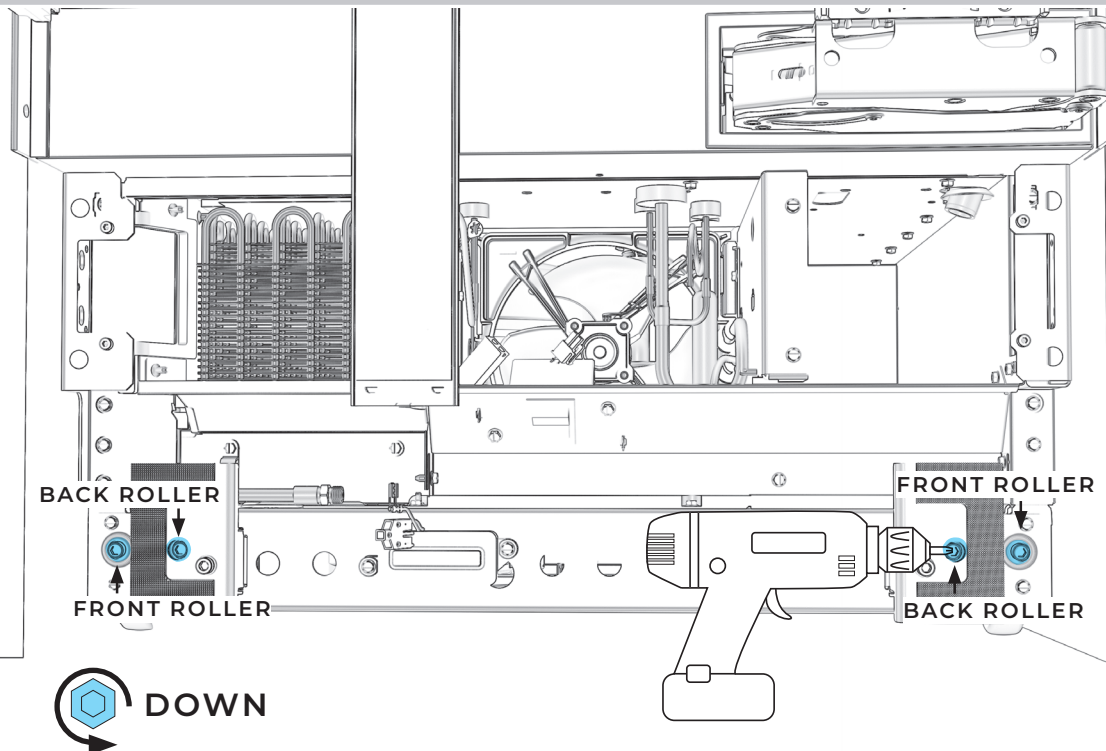
3.7

CHECK THAT DEPTH GAUGES INDICATE SAME DEPTH.



3.8

EXTEND LEVELING ROLLERS INDIVIDUALLY, UNTIL DEPTH GAUGES MATCH.



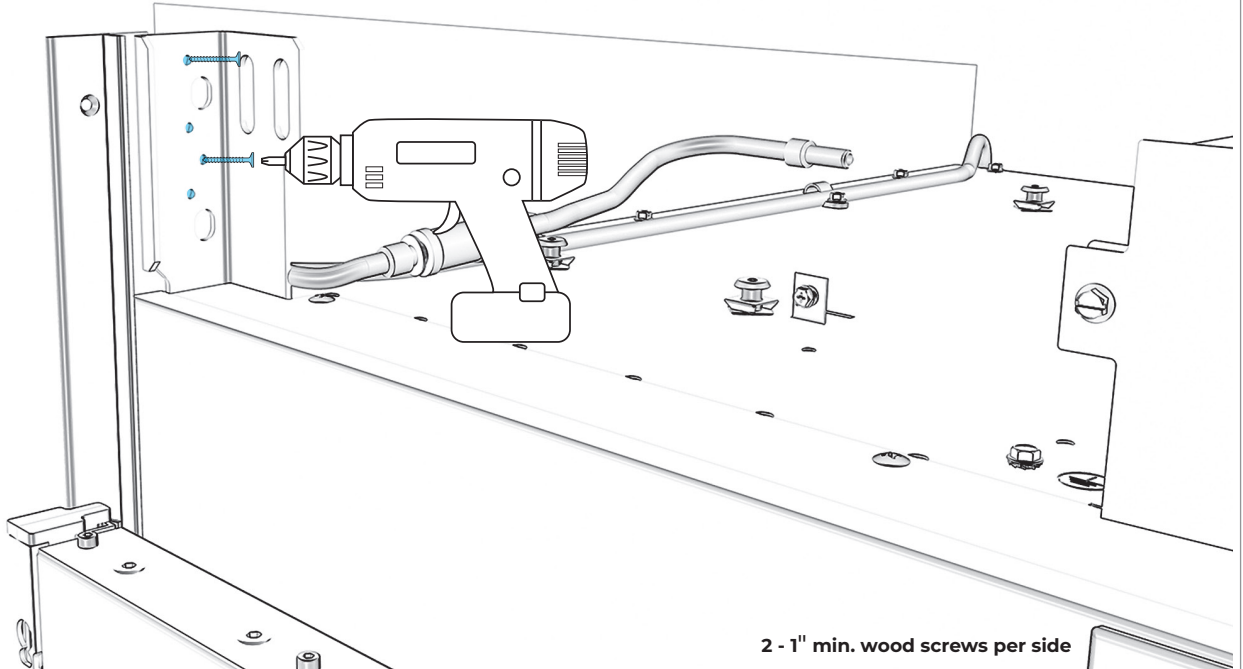
5mm driver bit

3

COLUMN INSTALLATION

3.9

SECURE COLUMN TO EACH SIDE PANEL.



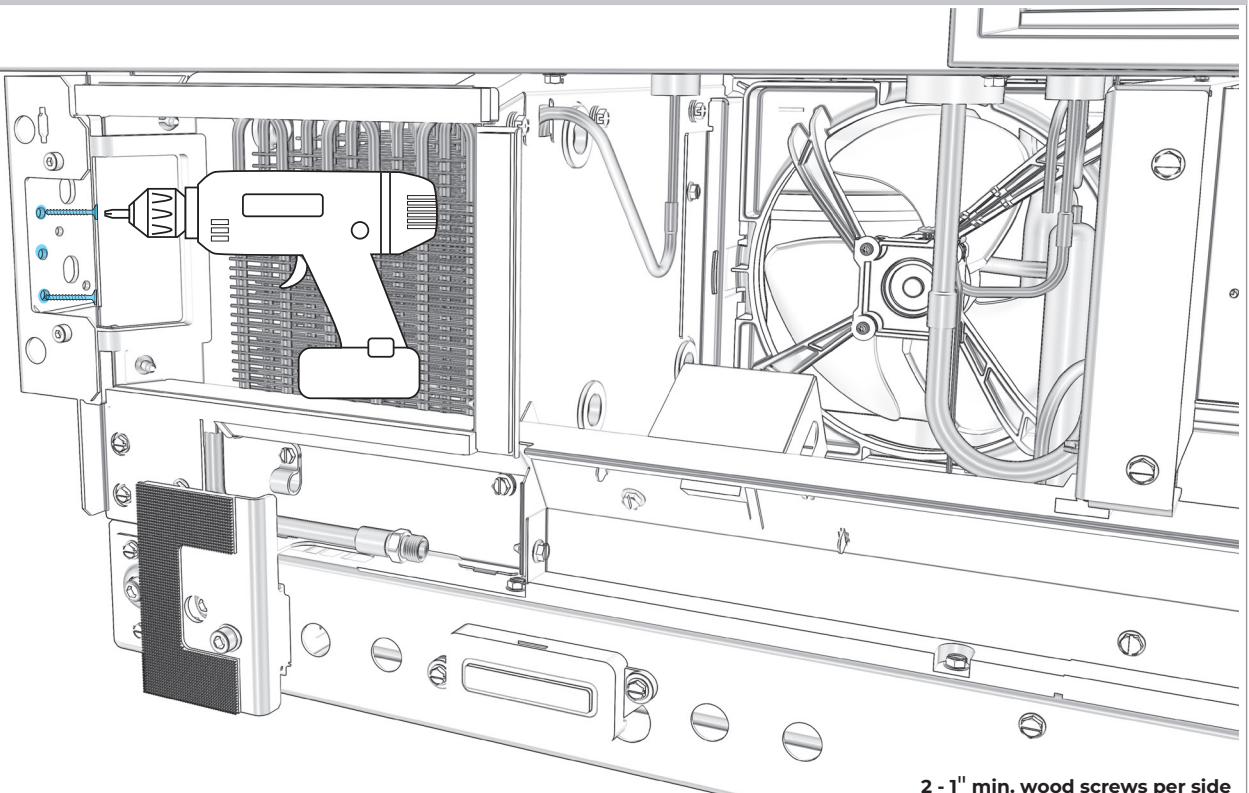
2 - 1" min. wood screws per side



USE WOOD SCREWS OF AN APPROPRIATE LENGTH

3.10

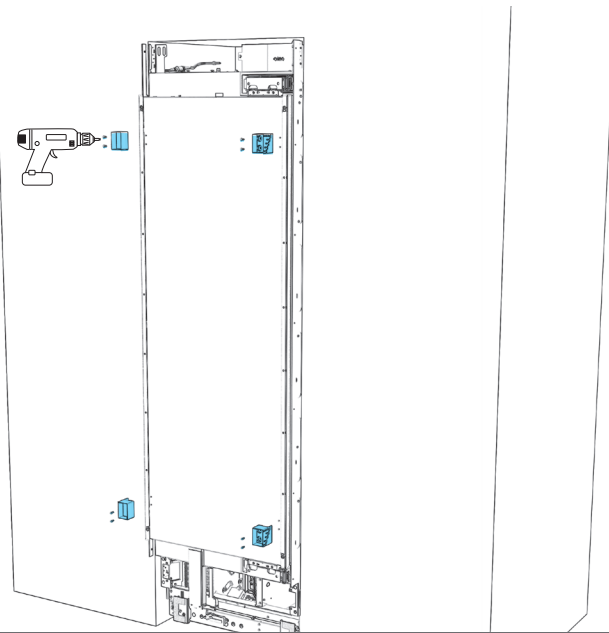
REPEAT ON BOTTOM BRACKET.



2 - 1" min. wood screws per side

3.11

REMOVE AND DISCARD DEPTH GAUGES.



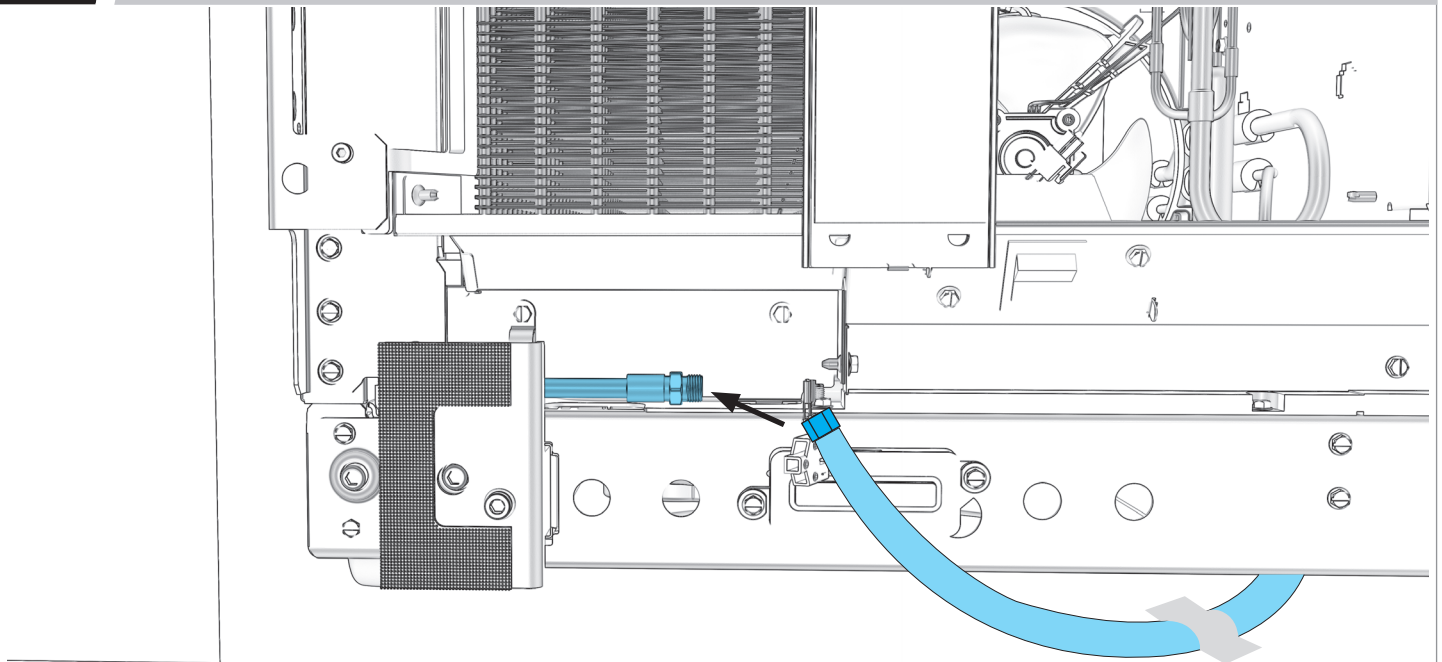
1/4" driver bit



IMPORTANT: TO AVOID A HAZARD, MAKE SURE THAT THE COLUMN IS OFF BEFORE MOVING TO THE NEXT STEP AND CONNECTING THE WATER LINE.

3.12

CONNECT THE WATER SUPPLY LINE.



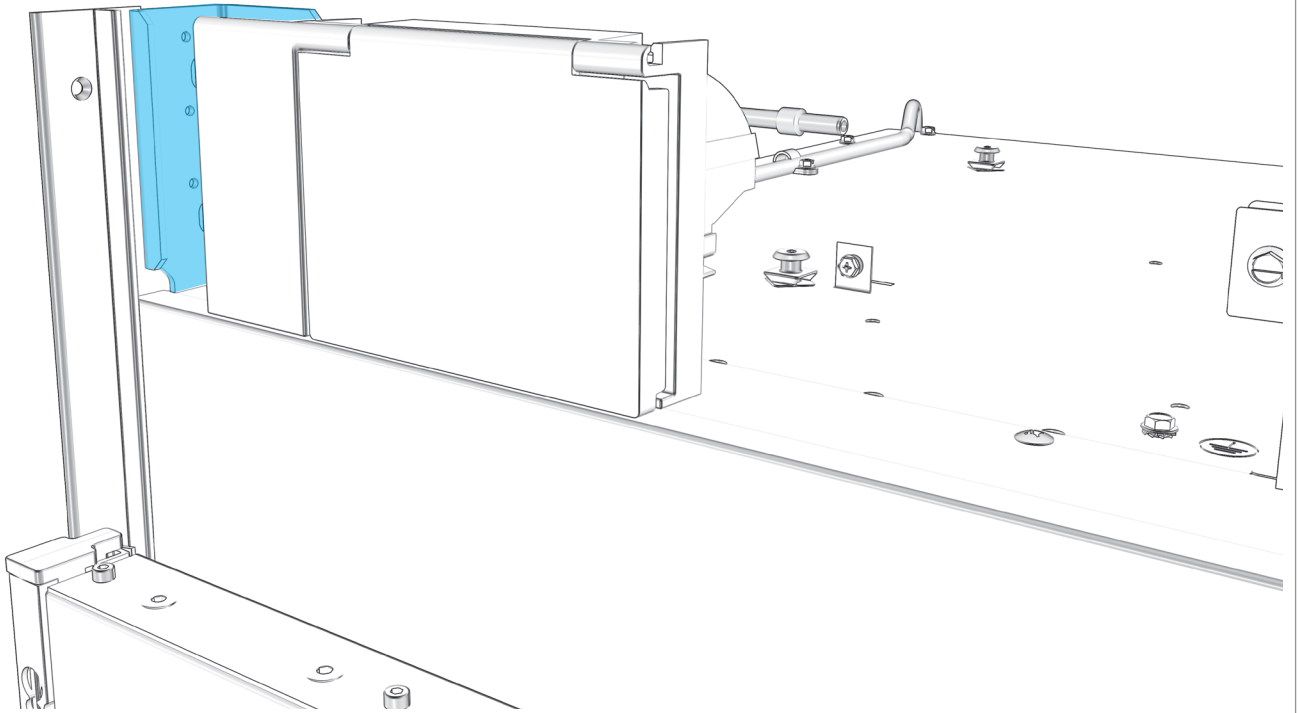
THE DOOR MAY BE OPENED FROM THIS POINT FORWARD

TOE-4-KICK

COLUMN PREPARATION

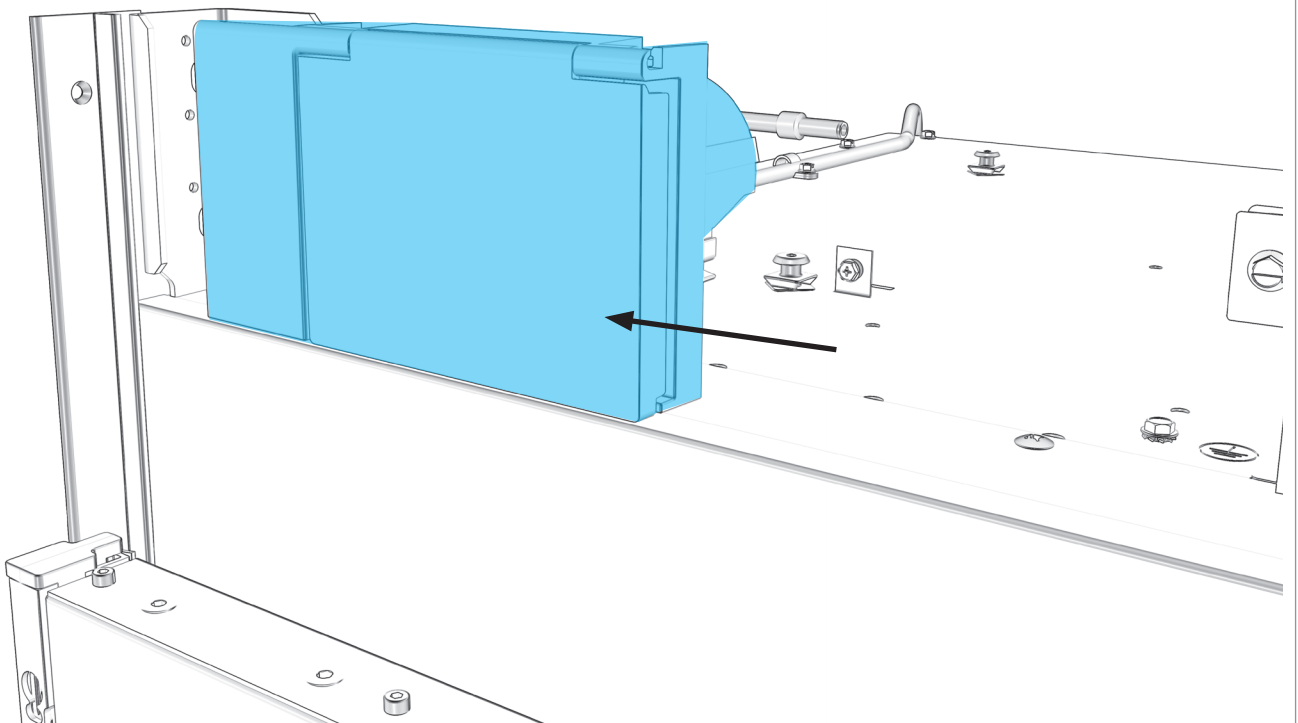
4.1

ALIGN FILTER HOUSING BETWEEN BRACKETS ON TOP OF COLUMN.



4.2

REINSTALL HOUSING, PUSHING LEFT WITH FORCE.

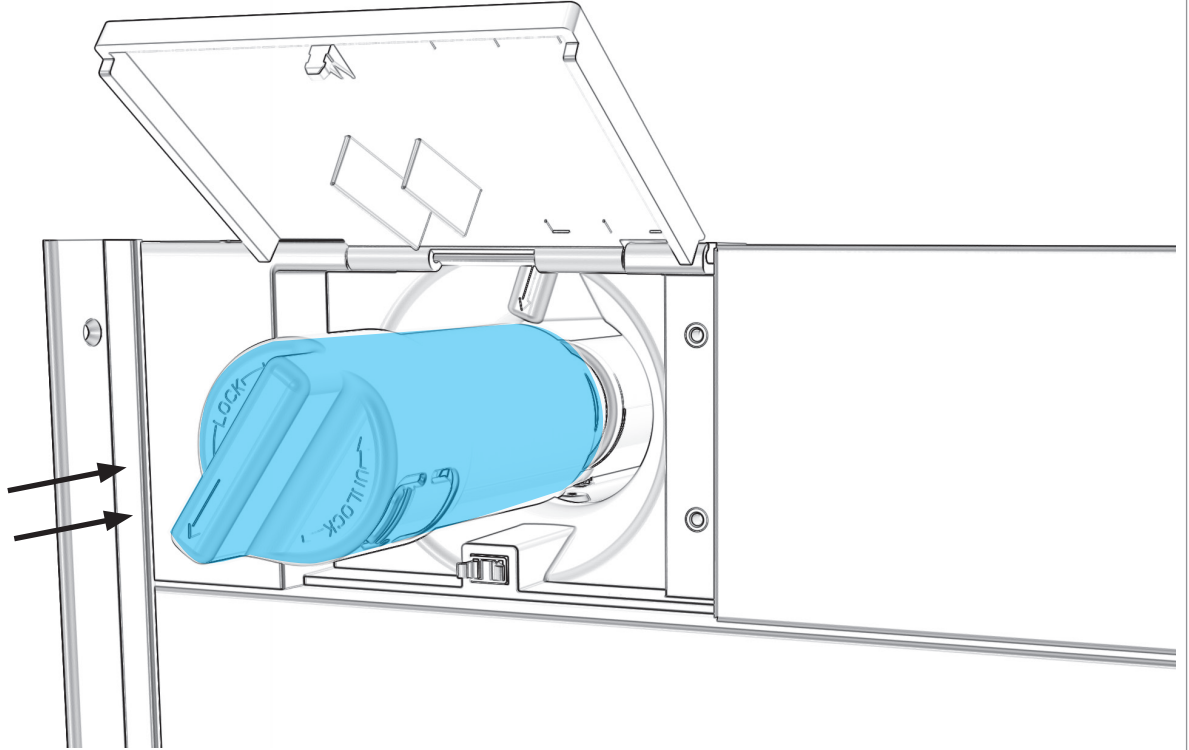


4

TOE-KICK COLUMN PREPARATION

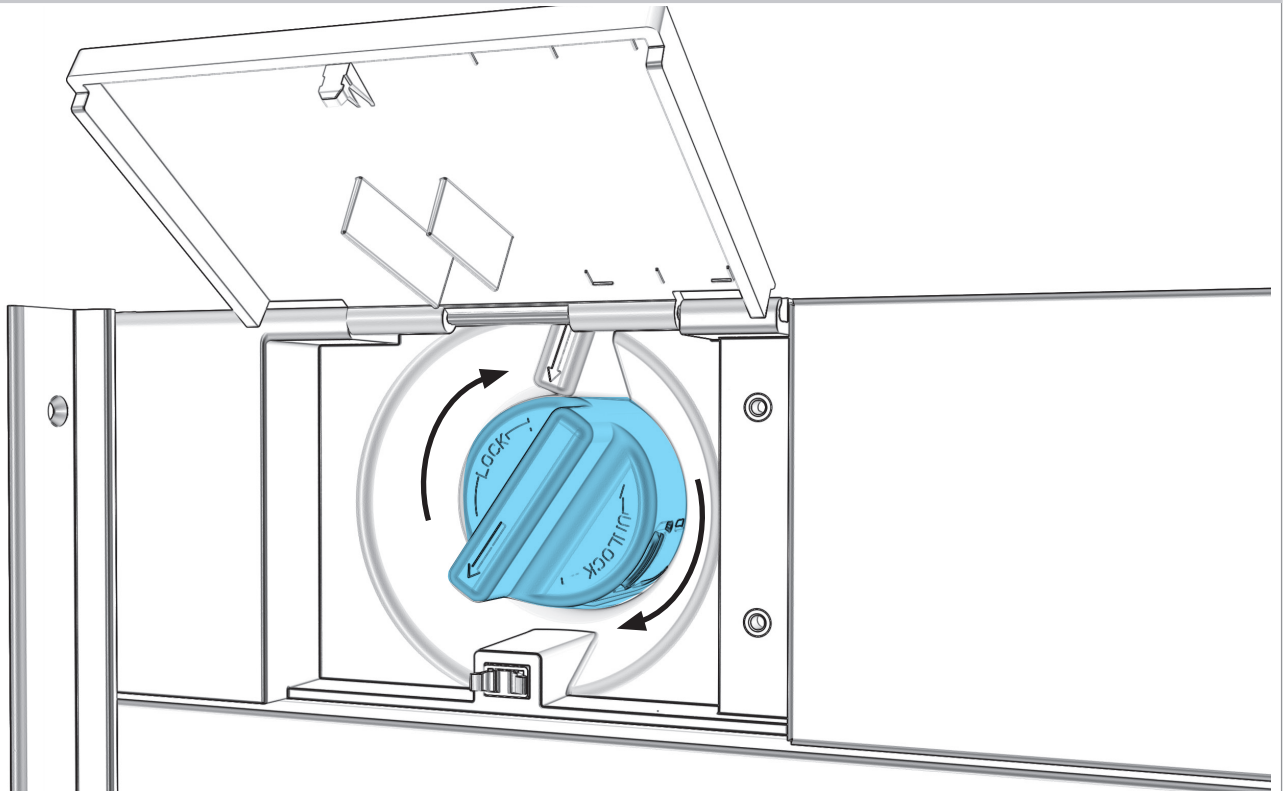
4.3

INSERT WATER FILTER UNTIL SEATED.



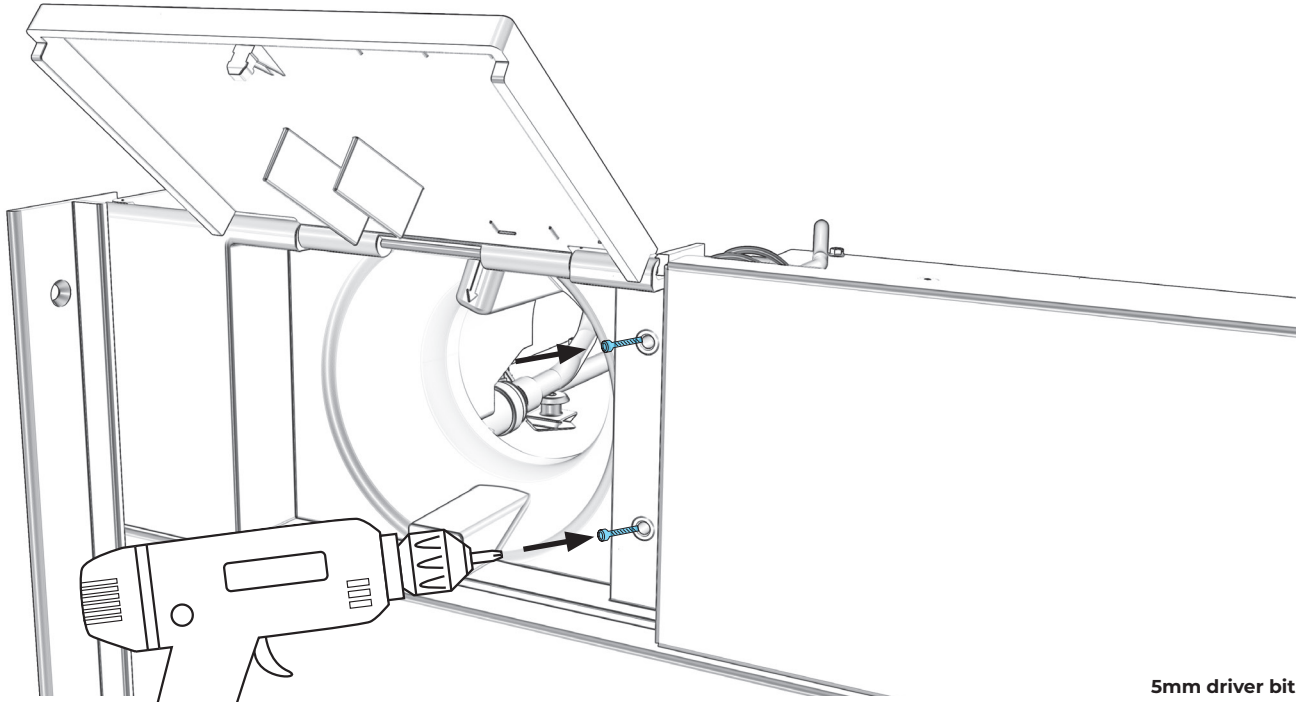
4.4

ROTATE FILTER CLOCKWISE TO ALIGN ARROWS.



4.5

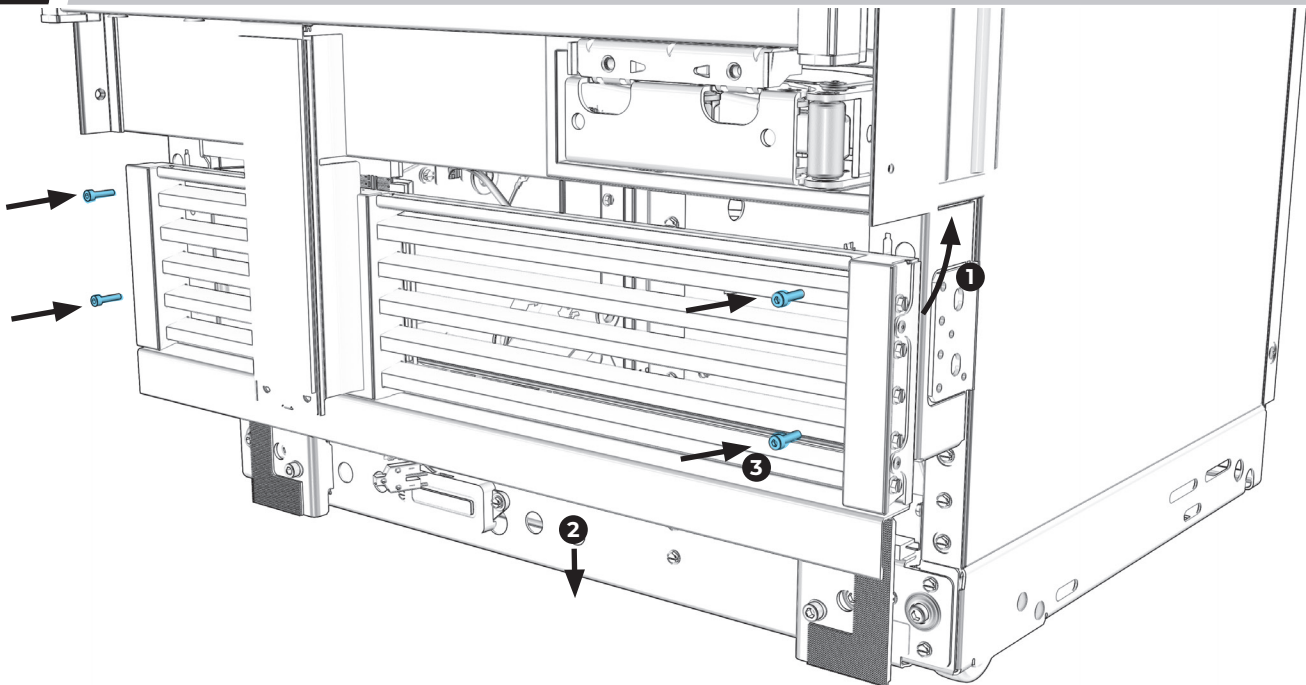
REPLACE TOP COVER AND SECURE WITH TWO SCREWS.



5mm driver bit

4.6

REINSTALL AIR GRILLE.



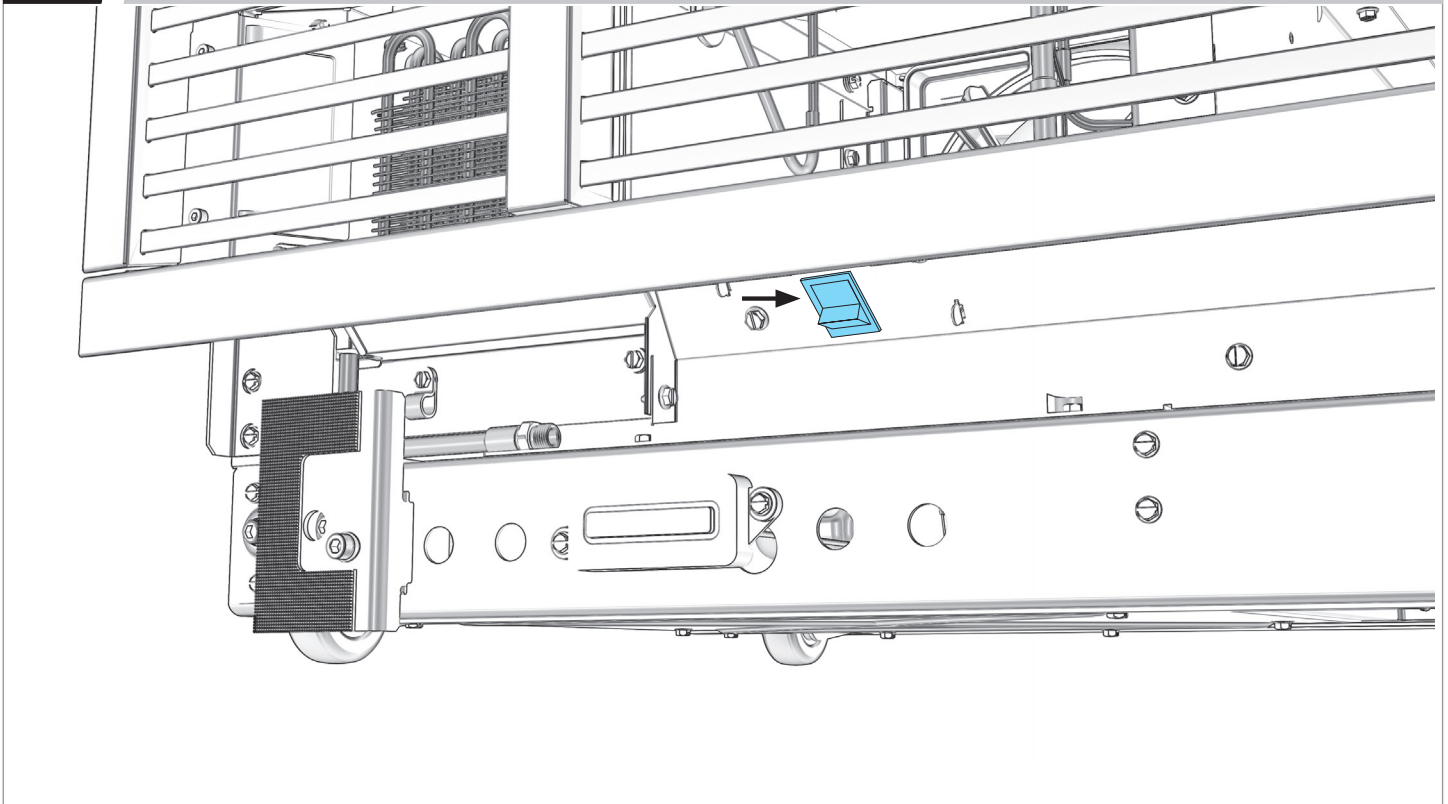
5mm driver bit

4

TOE-KICK COLUMN PREPARATION

4.7

TURN POWER ON.



CHECKPOINT

INSTALLATION CHECKPOINT

PG. 42 CUSTOM WOOD
TOE-KICK PREPARATION

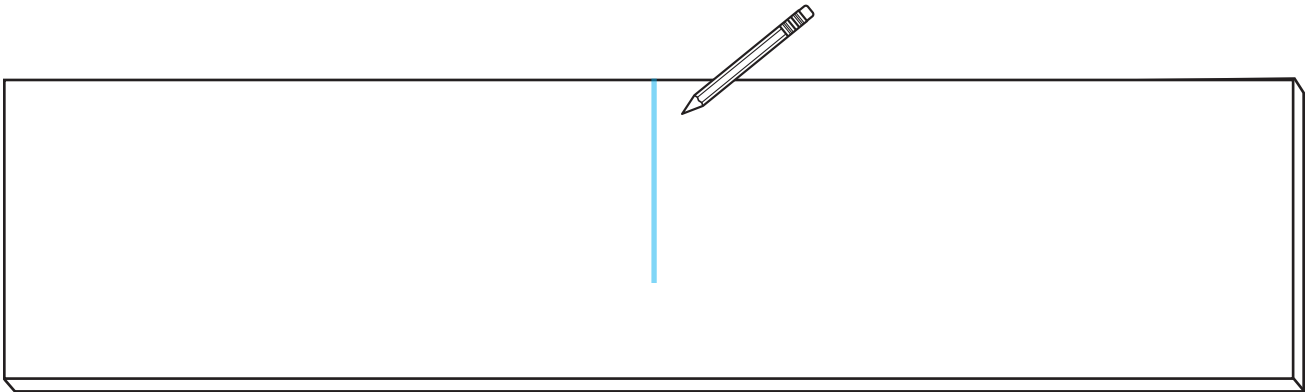
PG. 46 STAINLESS STEEL
TOE-KICK PREPARATION

PG. 49 ALIGN AND INSTALL ALL TOE-KICKS

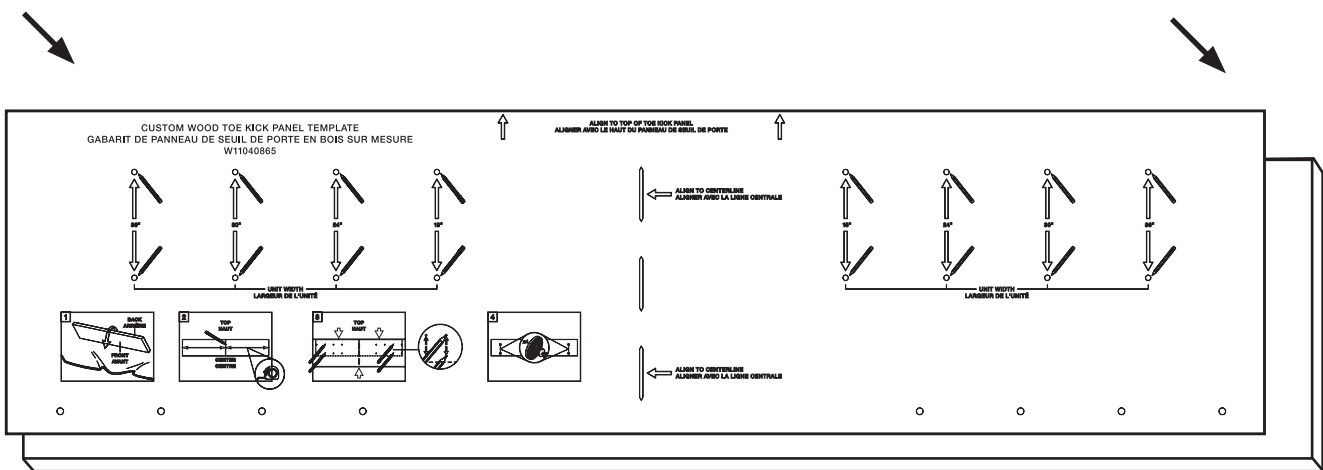
TOE-KICK

CUSTOM WOOD PREPARATION

5.1 MEASURE AND MARK CENTER LINE OF TOE-KICK.



5.2 ALIGN TEMPLATE.

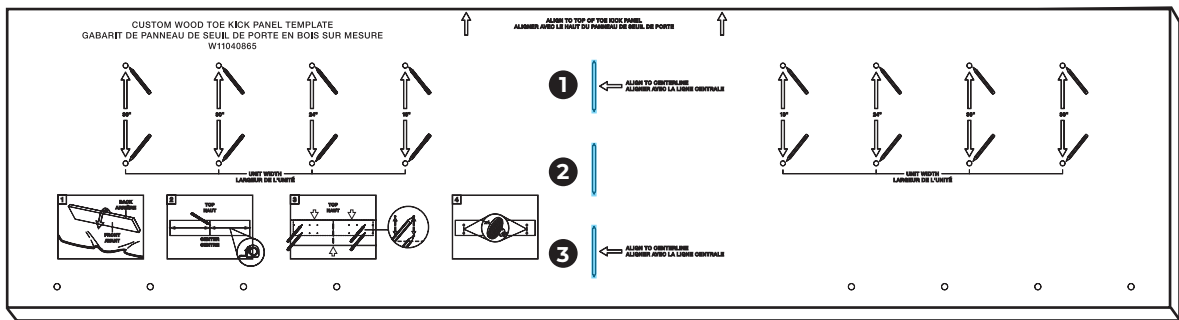


5

TOE-KICK CUSTOM WOOD PREPARATION

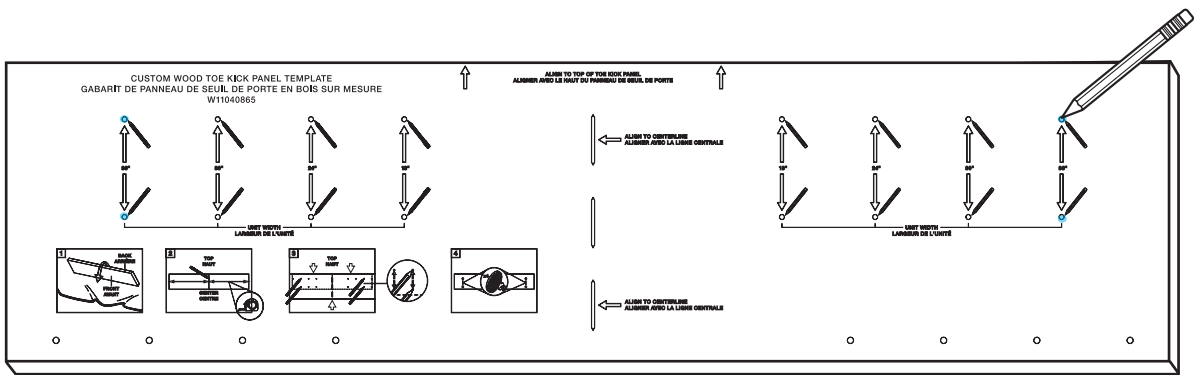
5.3

ALIGN TEMPLATE WITH CENTER LINE.



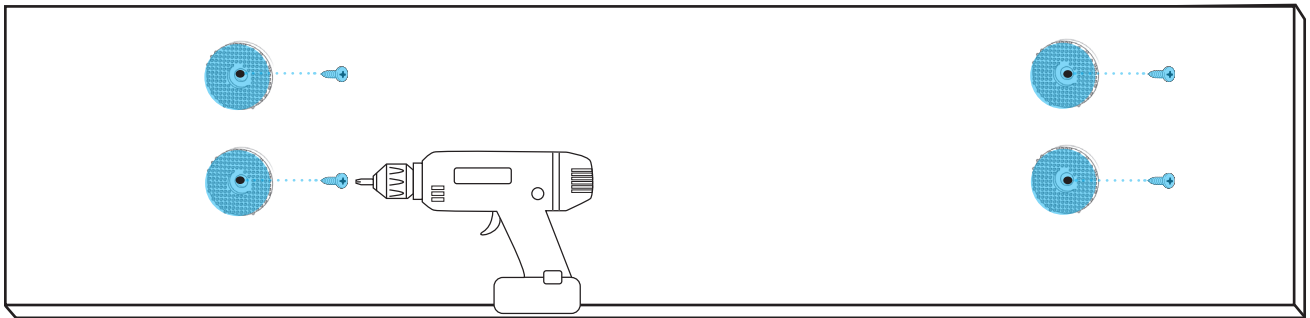
5.4

MARK GRIPPING PAD LOCATIONS.



5.5

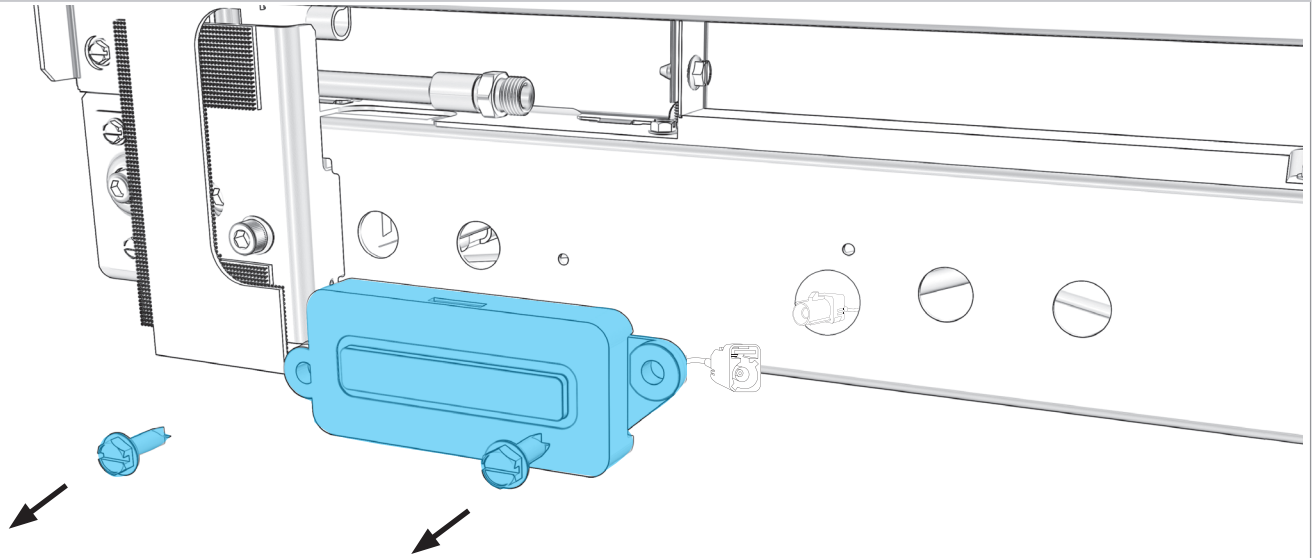
ADHERE GRIPPING PADS TO POINTS.



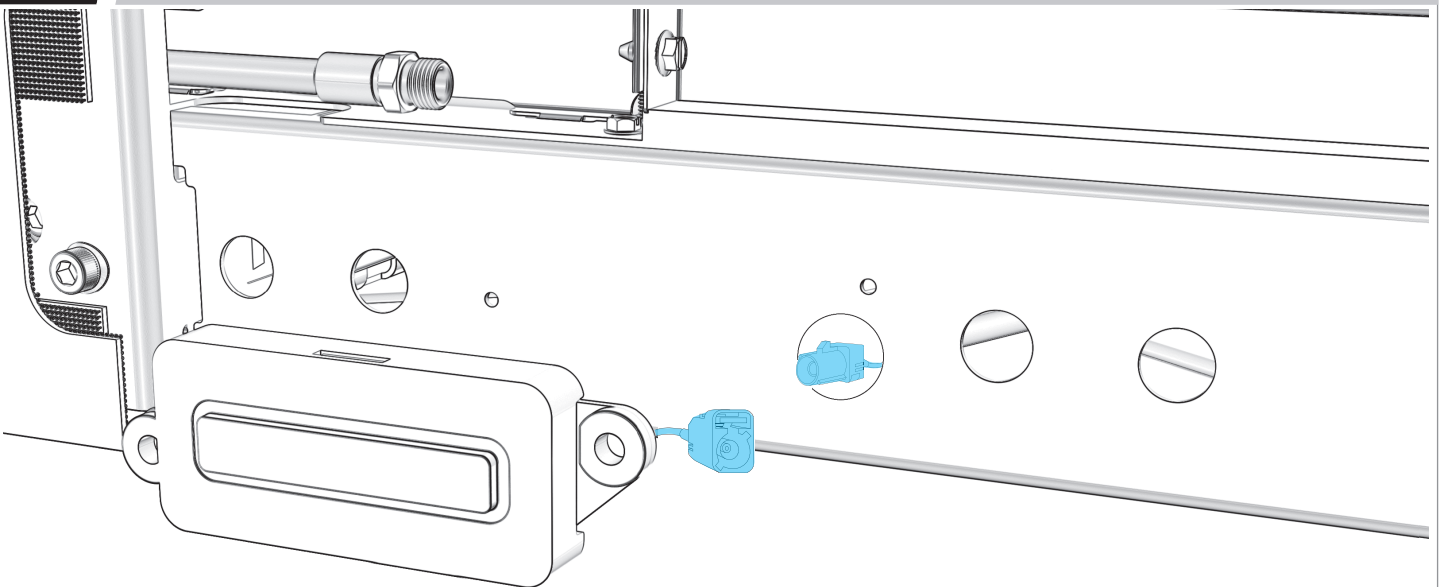
TOE-KICK

STAINLESS STEEL PREPARATION

6.1 UNSCREW AND DISCARD WIFI HARNESS.



6.2 DISCONNECT BLUE WIFI WIRE FROM HARNESS.

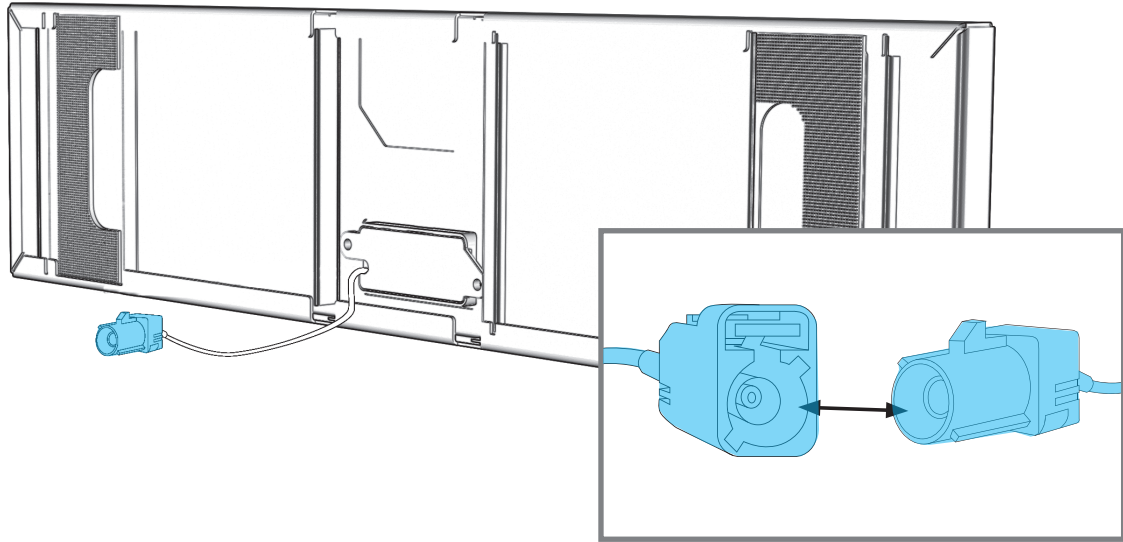


6

TOE-KICK STAINLESS STEEL PREPARATION

6.3

ATTACH BLUE TOE-KICK AND COLUMN WIRES.



TOE-KICK

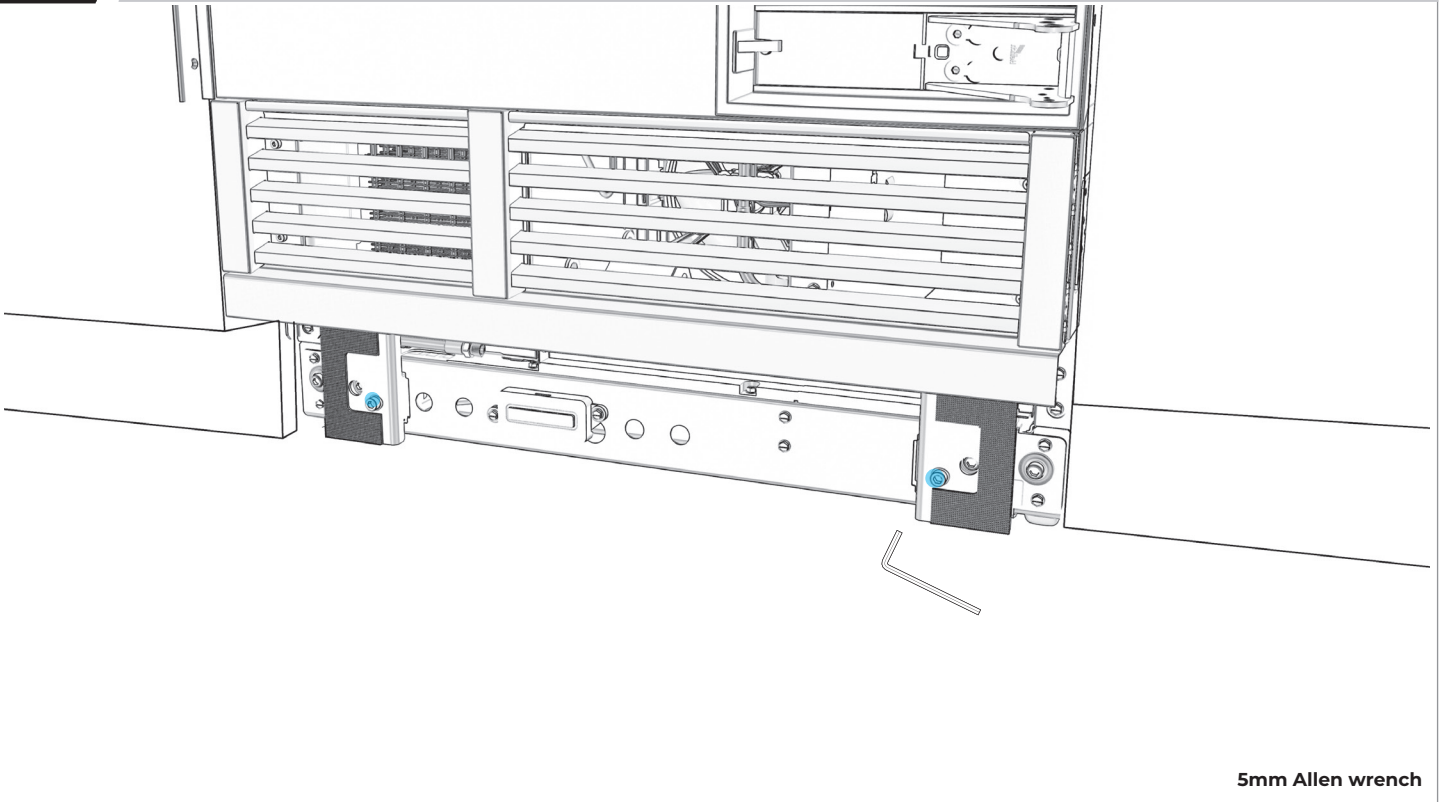
ALIGNMENT AND INSTALLATION

7

TOE-KICK ALIGNMENT AND INSTALLATION

7.1

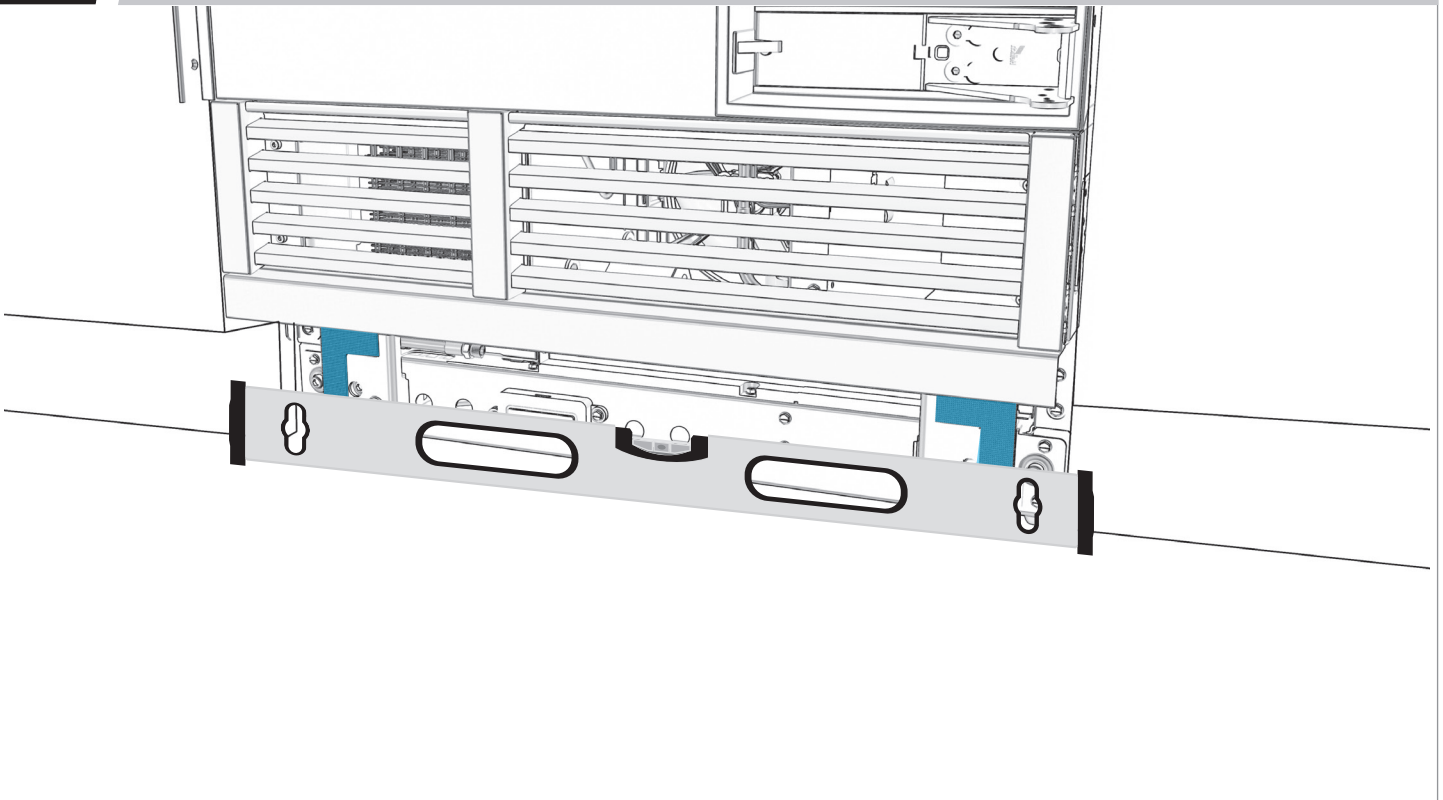
ALIGN TOE-KICK BRACKETS WITH FURNITURE TOE-KICK.



5mm Allen wrench

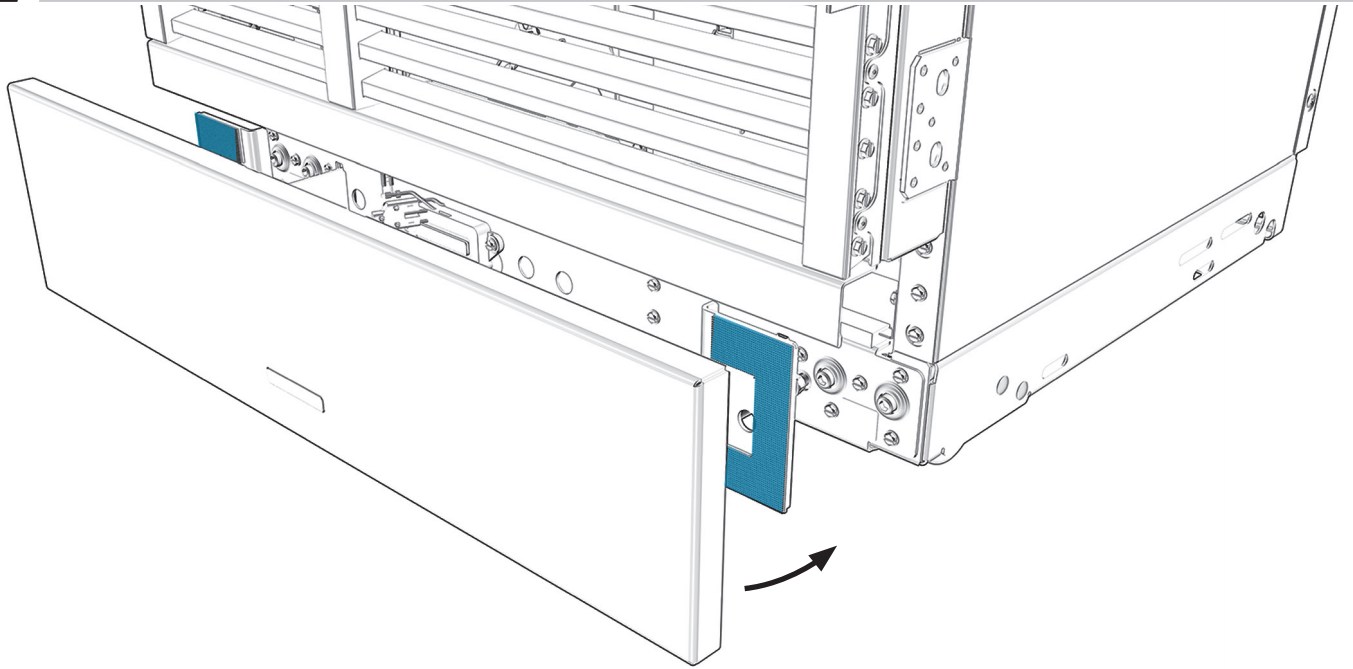
7.2

CHECK THAT BRACKETS ARE IN PLANE.



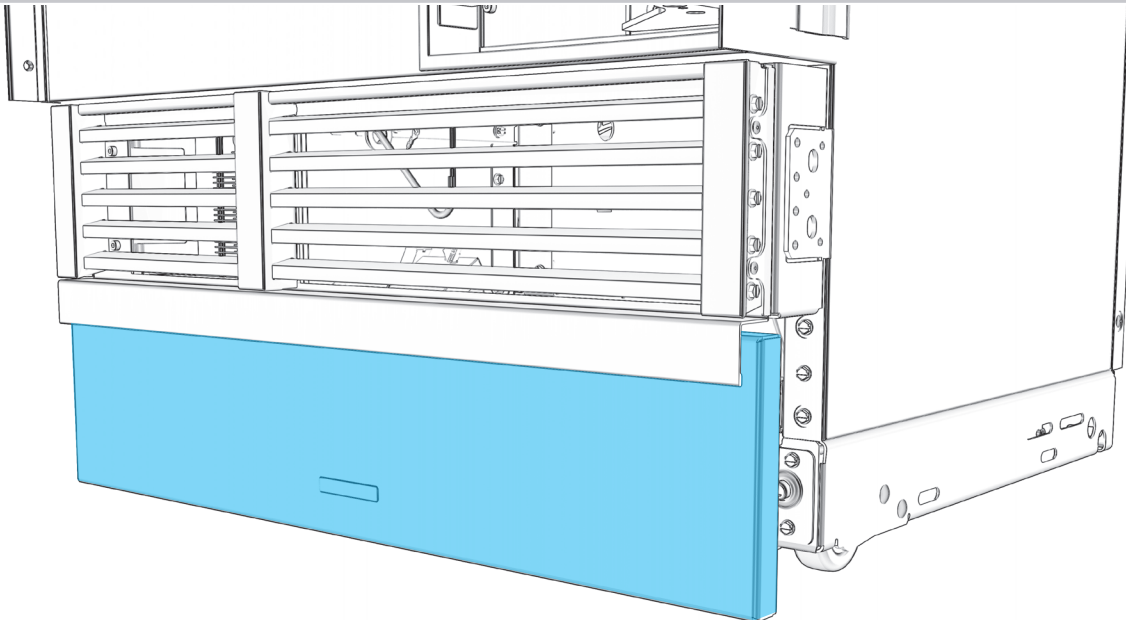
7.3

ALIGN TOE-KICK GRIPPING PADS WITH BRACKETS.



7.4

PRESS FIRMLY TO ATTACH.

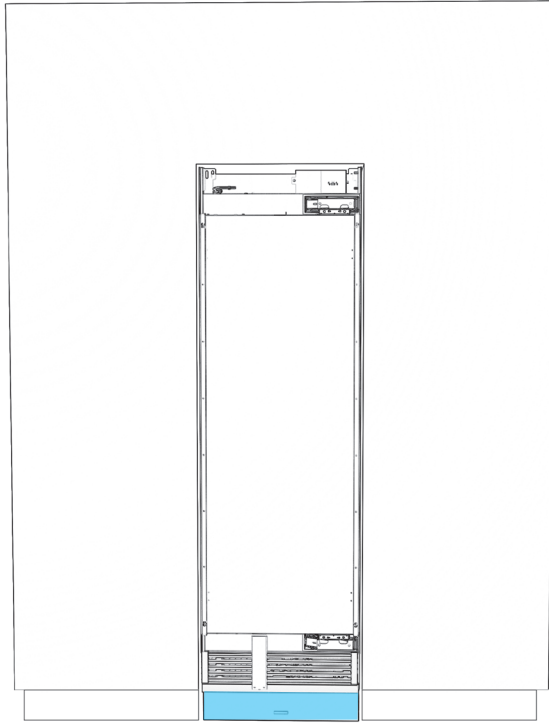


7

TOE-KICK ALIGNMENT AND INSTALLATION

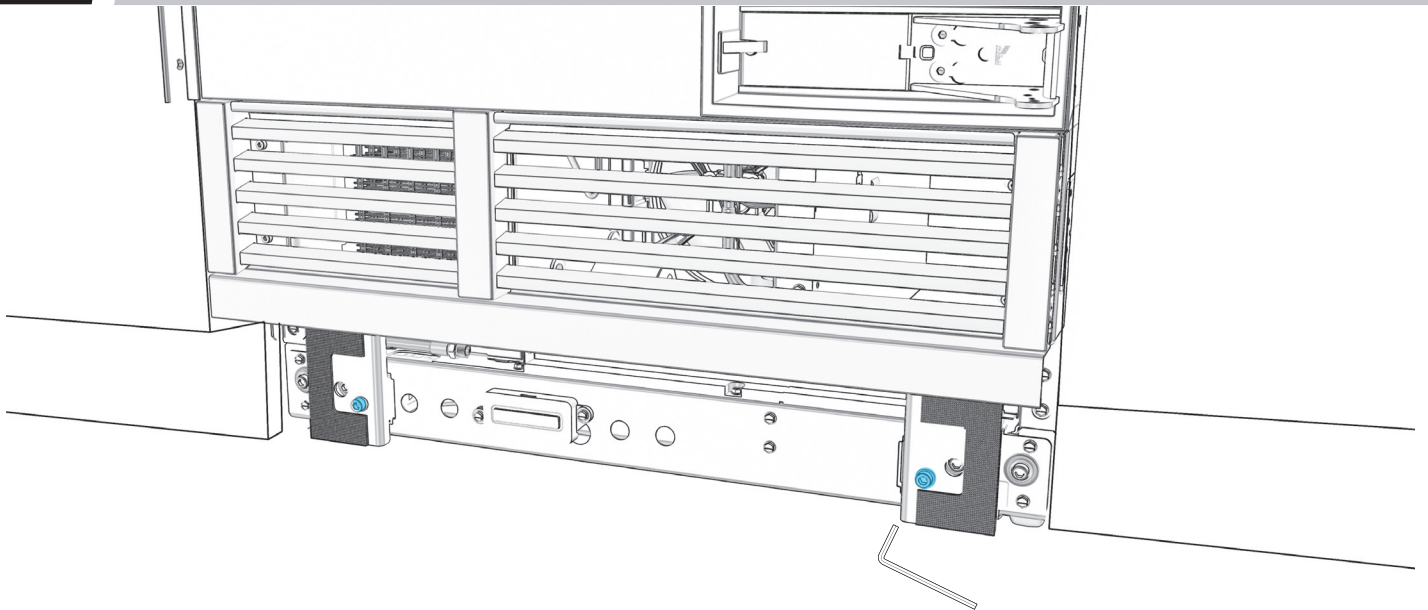
7.5

MEASURE OFFSET. IF UNEVEN, REMOVE PANEL.



7.6

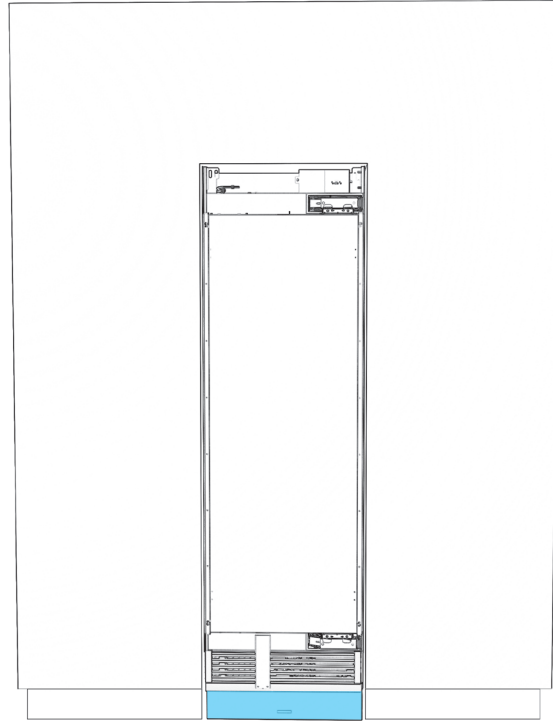
ADJUST BRACKETS TO ALIGN PANEL.



5mm Allen wrench

7.7

CONFIRM ALIGNMENT, READJUSTING IF NECESSARY.



CHECKPOINT

INSTALLATION CHECKPOINT

PG. 55 CUSTOM WOOD DOOR PANEL

PG. 60 STAINLESS STEEL DOOR PANEL

PG. 63 HANG AND ALIGN DOOR PANEL



P A N E L

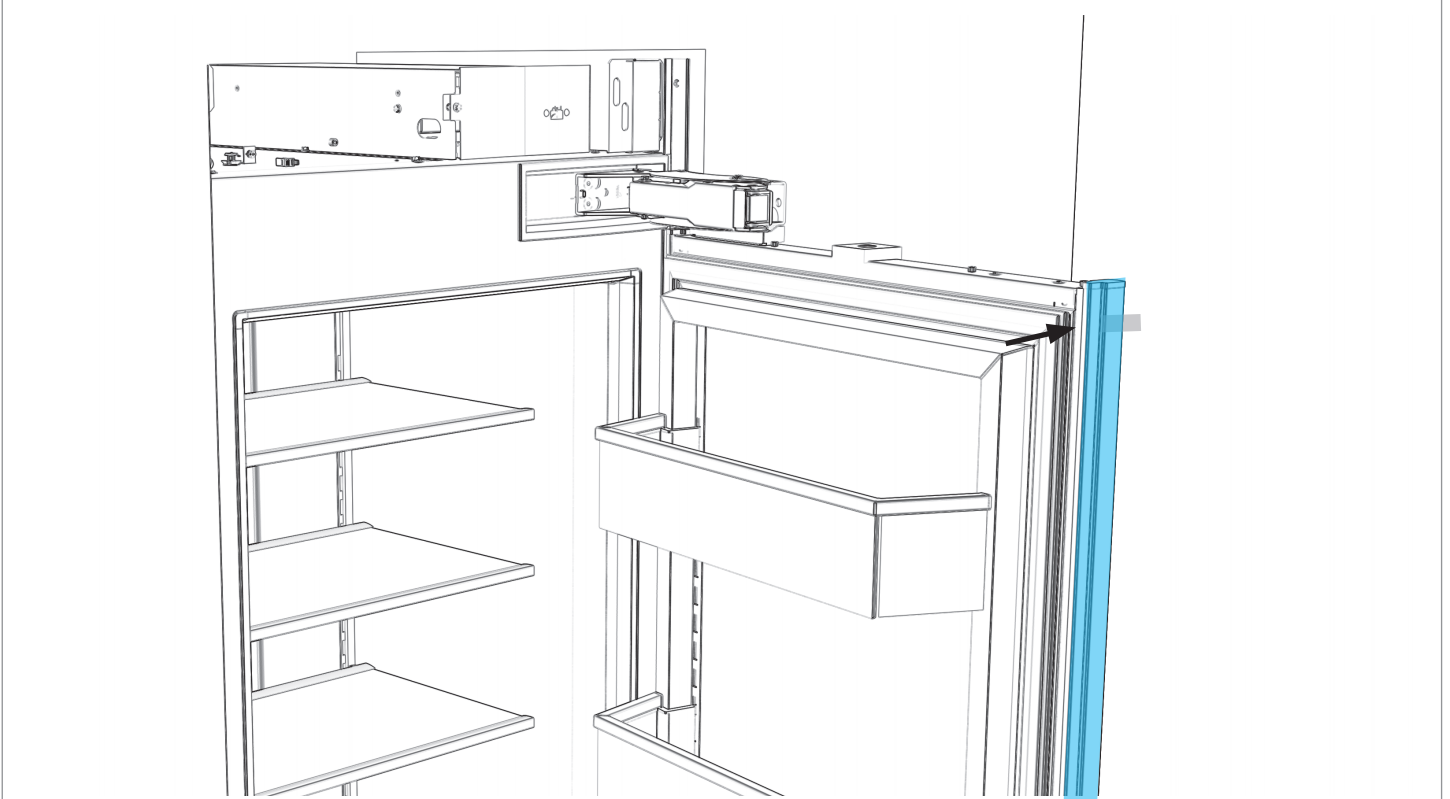
CUSTOM WOOD PREPARATION

8

PANEL CUSTOM WOOD PREPARATION

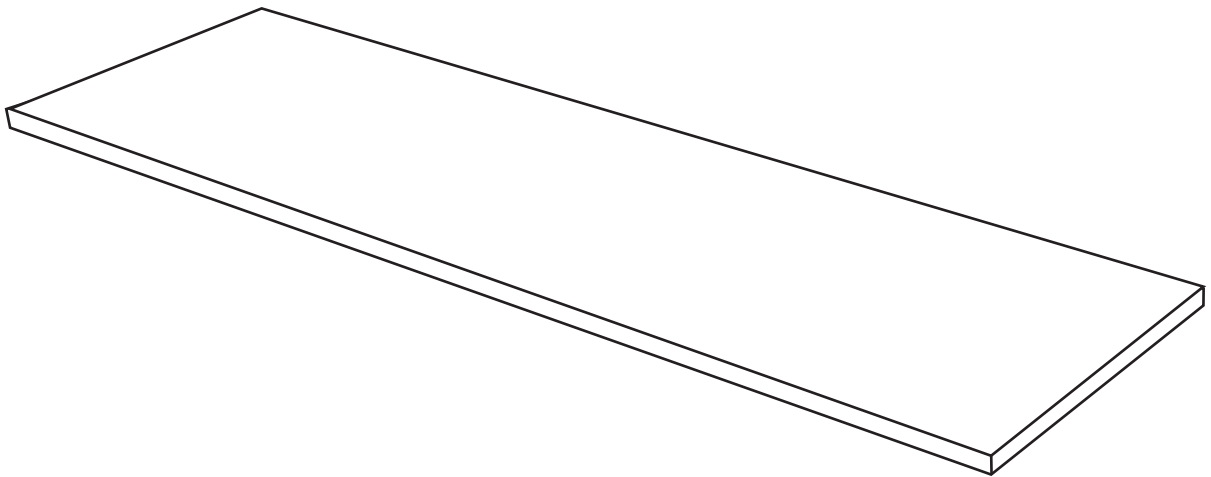
8.1

PULL TAPE TO POP OFF BRACKET TRIM.



8.2

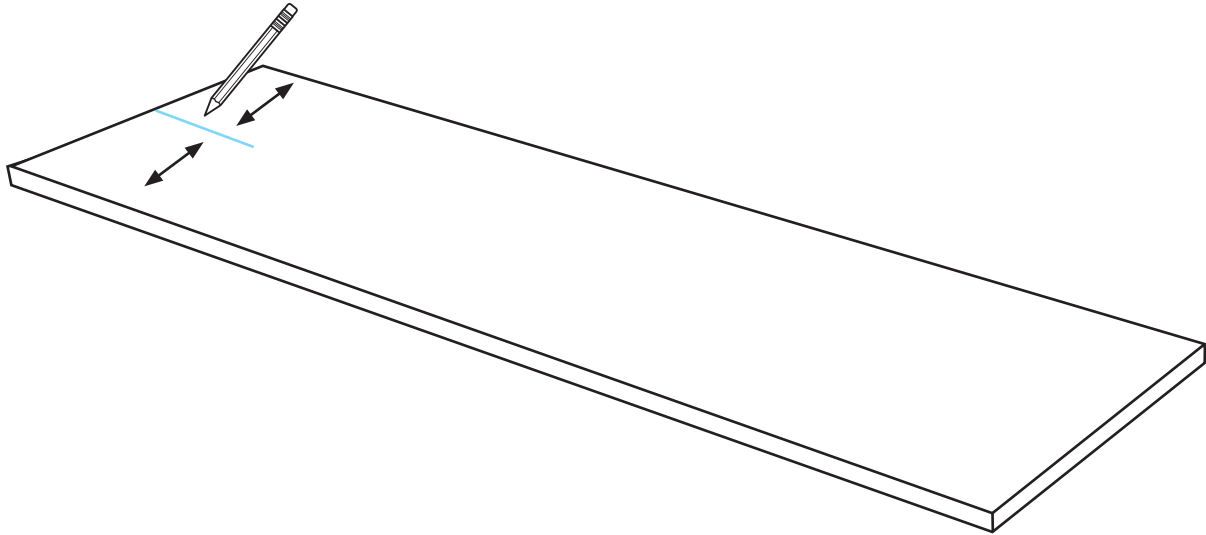
PLACE PANEL FACE-DOWN.



PLACE ON A FLAT, COVERED SURFACE

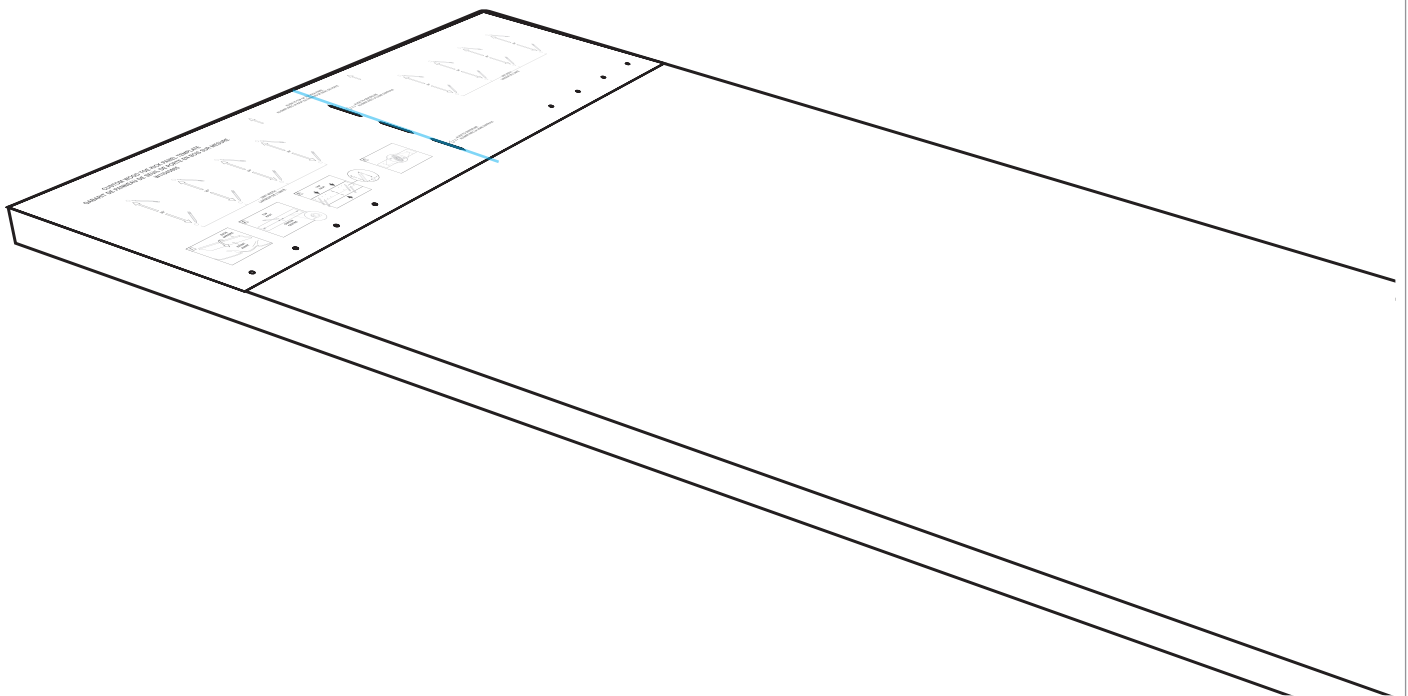
8.3

MEASURE AND MARK CENTER OF THE PANEL.



8.4

ALIGN CUSTOM WOOD PANEL TEMPLATE SLOTS WITH PANEL CENTERLINE.

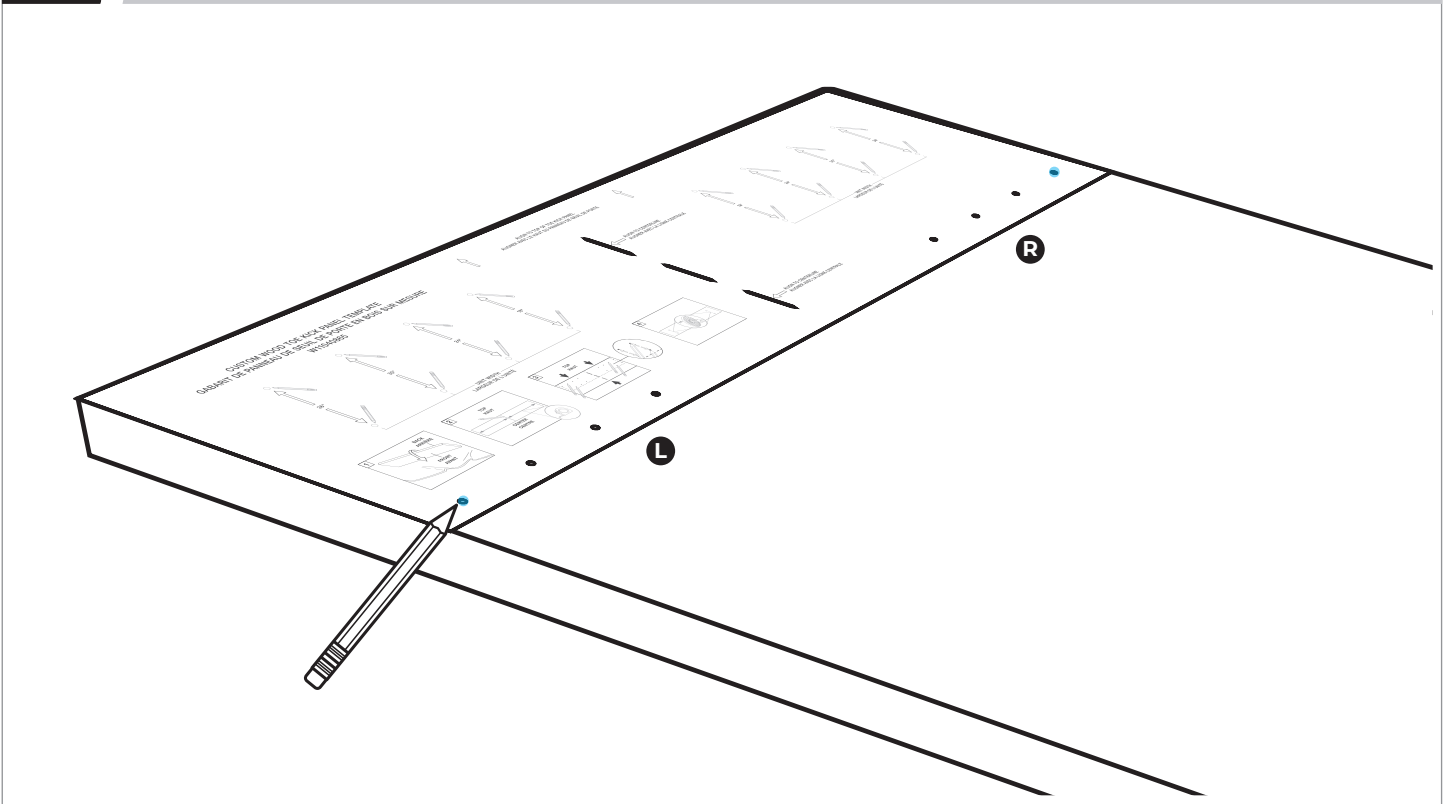


8

PANEL CUSTOM WOOD PREPARATION

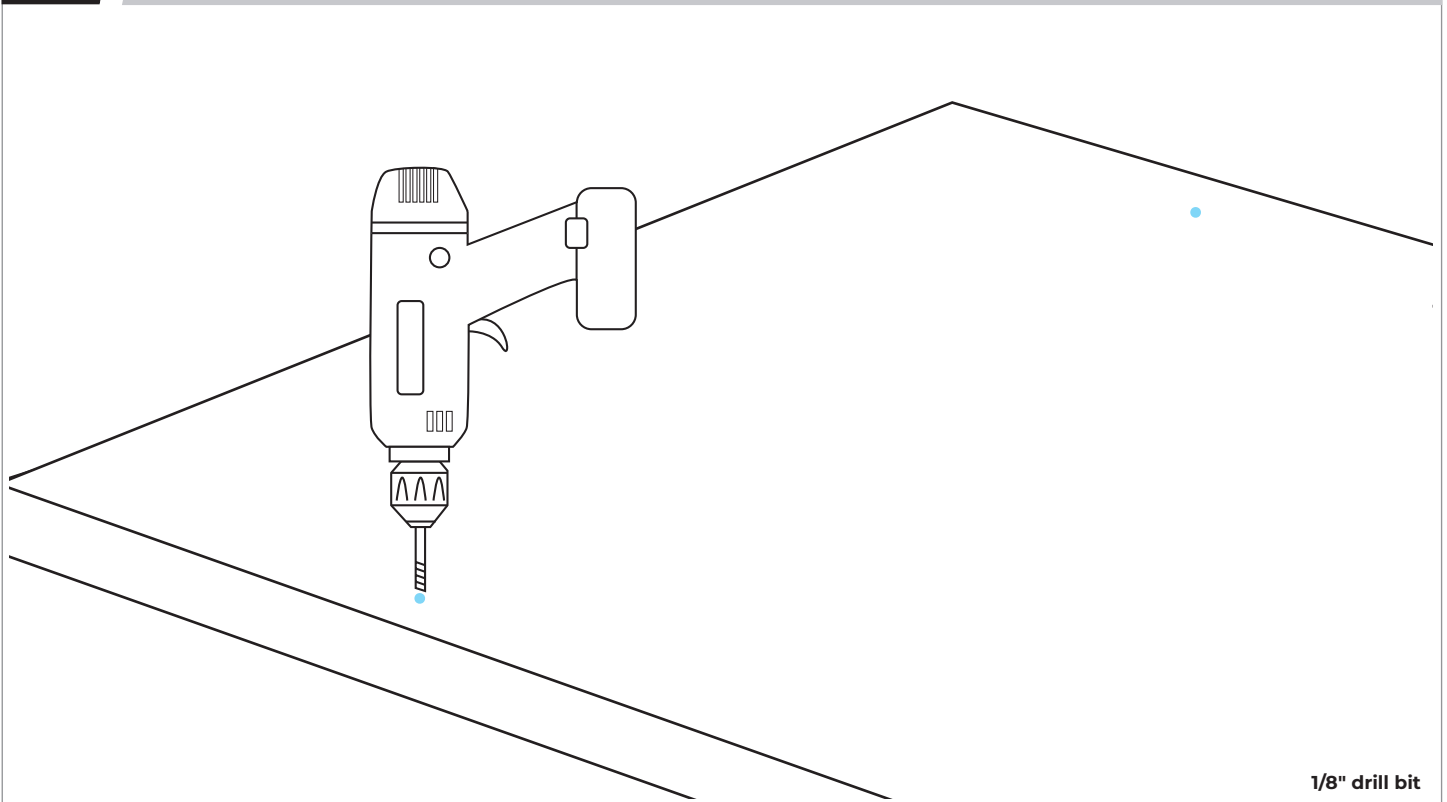
8.5

MARK LEFT AND RIGHT HOLES.



8.6

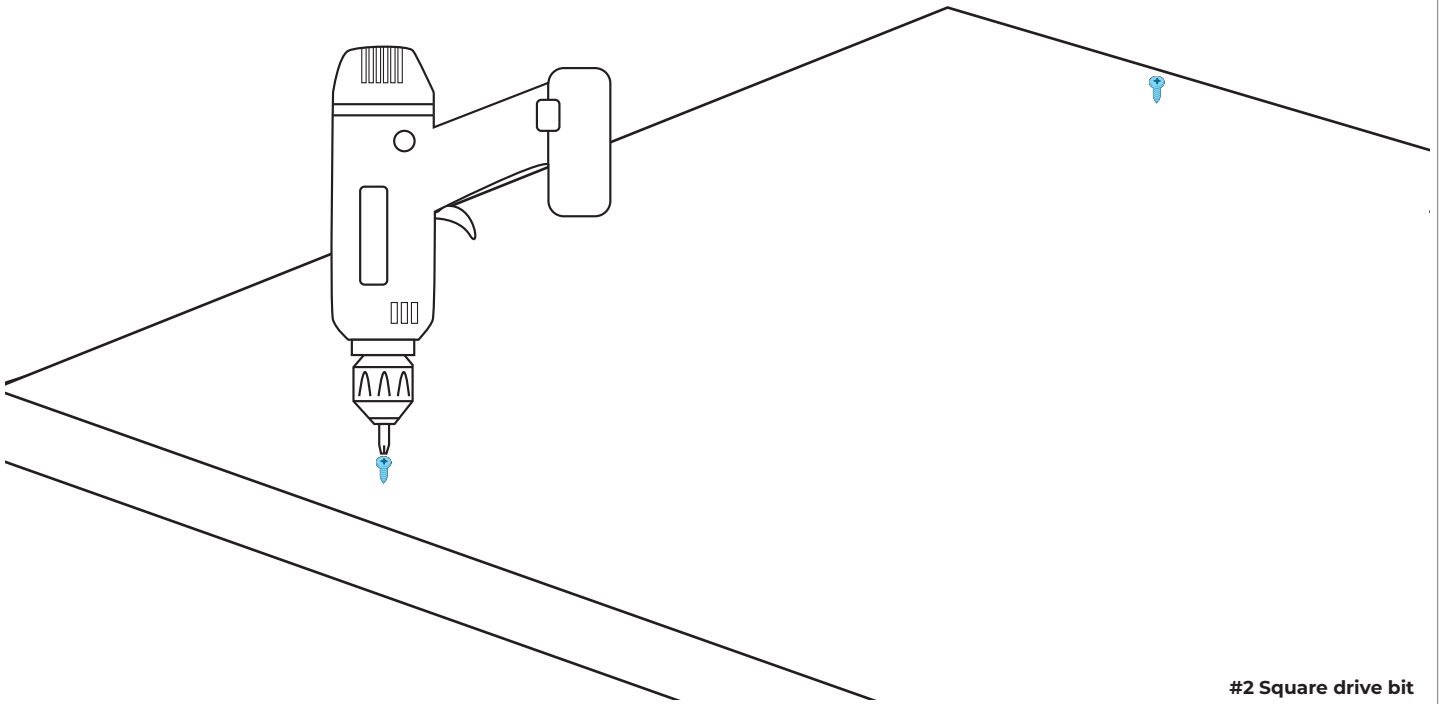
DRILL HOLES.



1/8" drill bit

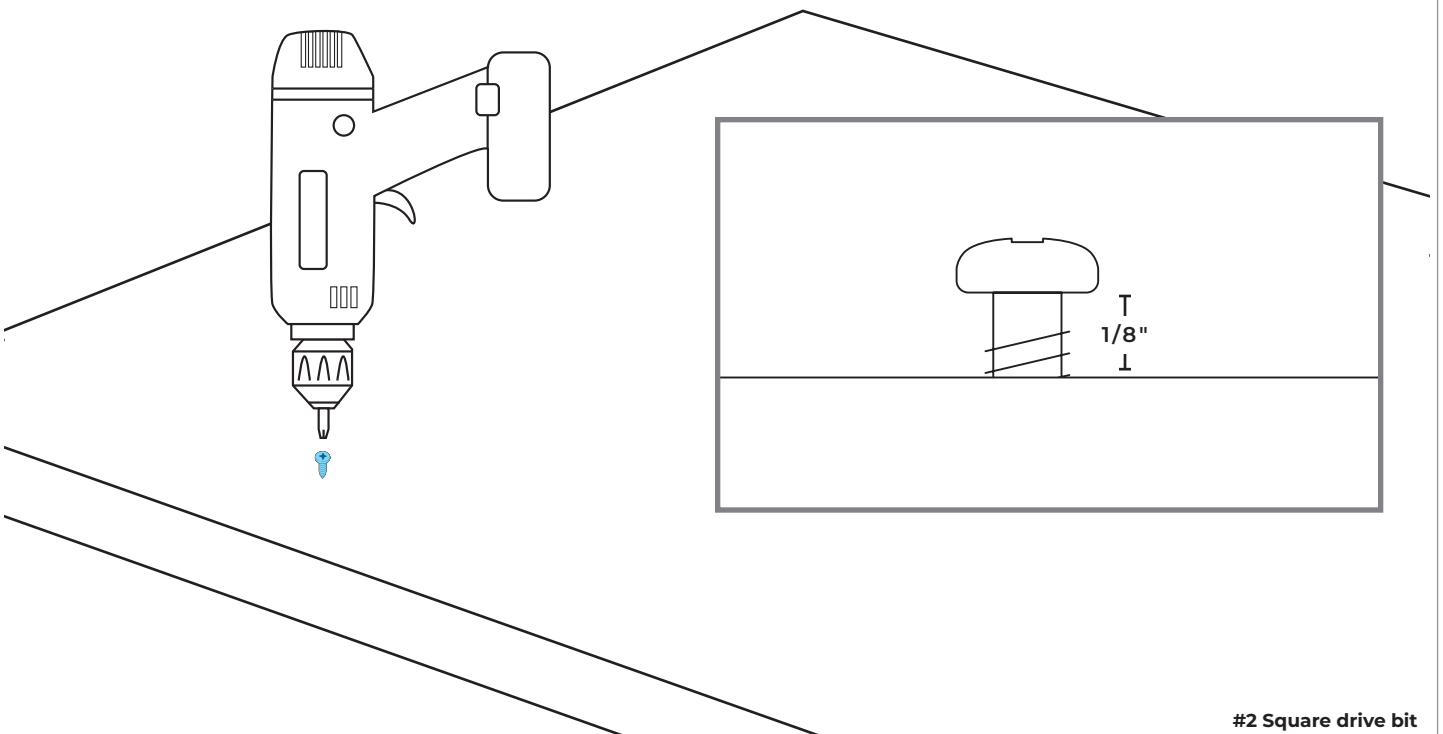
8.7

DRIVE FASTENERS INTO PRE-DRILLED LOCATIONS.



8.8

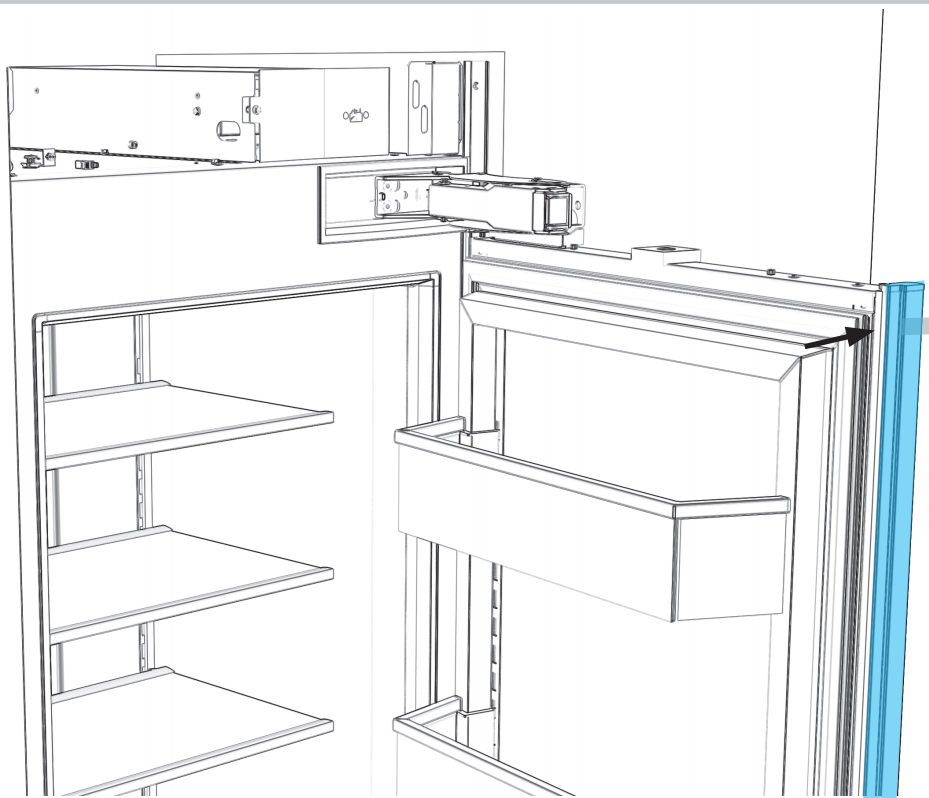
ENSURE SPACE OF 1/8" (3.18 MM).



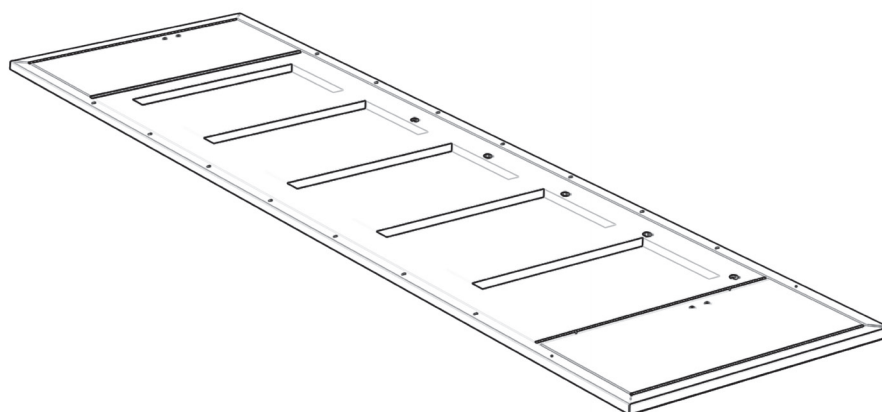
P A N E L

STAINLESS STEEL PREPARATION

9.1 PULL TAPE TO POP OFF BRACKET TRIMS.



9.2 PLACE PANEL FACE-DOWN.



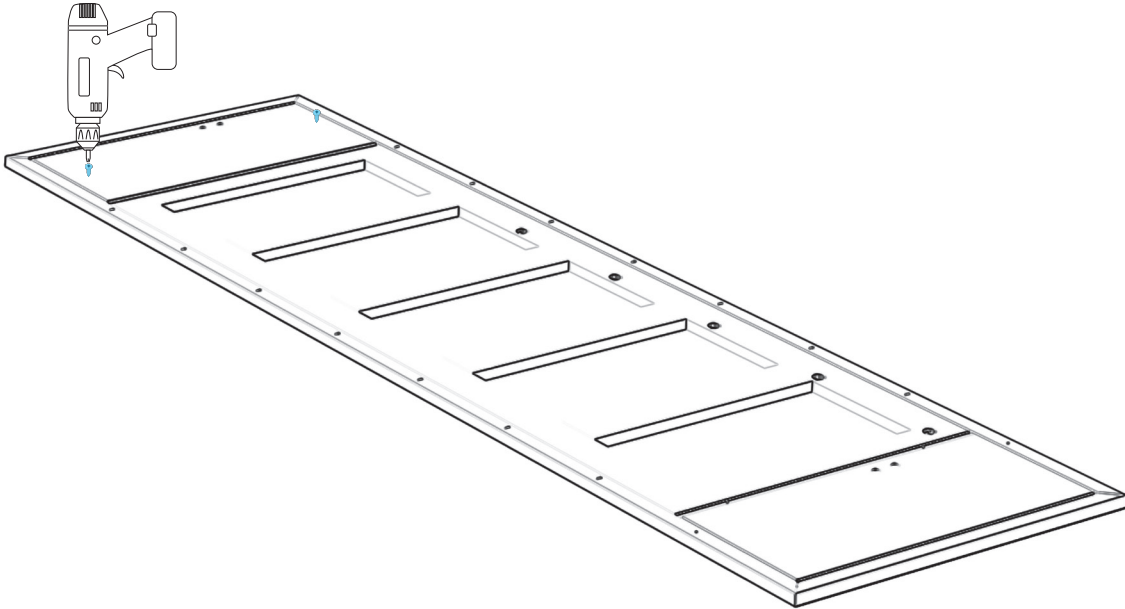
PLACE ON A FLAT, COVERED SURFACE

9

PANEL STAINLESS STEEL PREPARATION

9.3

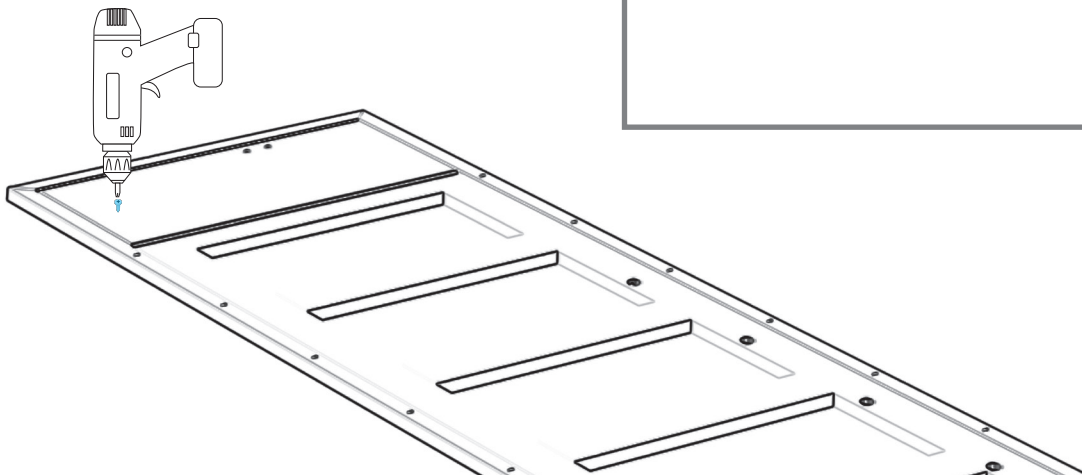
DRIVE FASTENERS INTO PRE-DRILLED LOCATIONS.



#2 Square drive bit

9.4

ENSURE SPACE OF 1/8" (3.18 MM).



#2 Square drive bit

PANEL

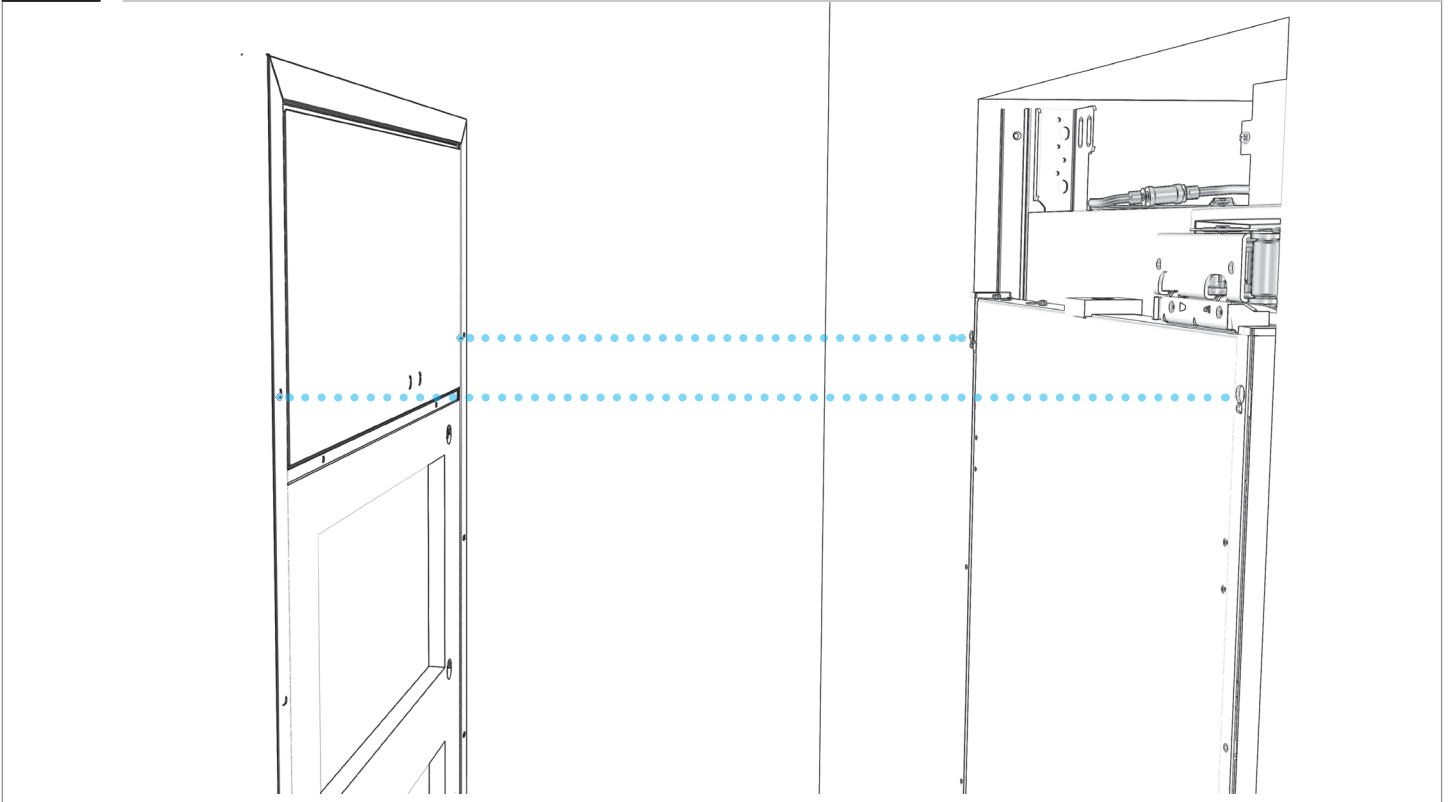
HANGING AND ADJUSTMENT

10

PANEL HANGING AND ADJUSTMENT

10.1

INSERT FASTENERS INTO TOP SLOTS OF DOOR ADJUSTMENT TRIMS.

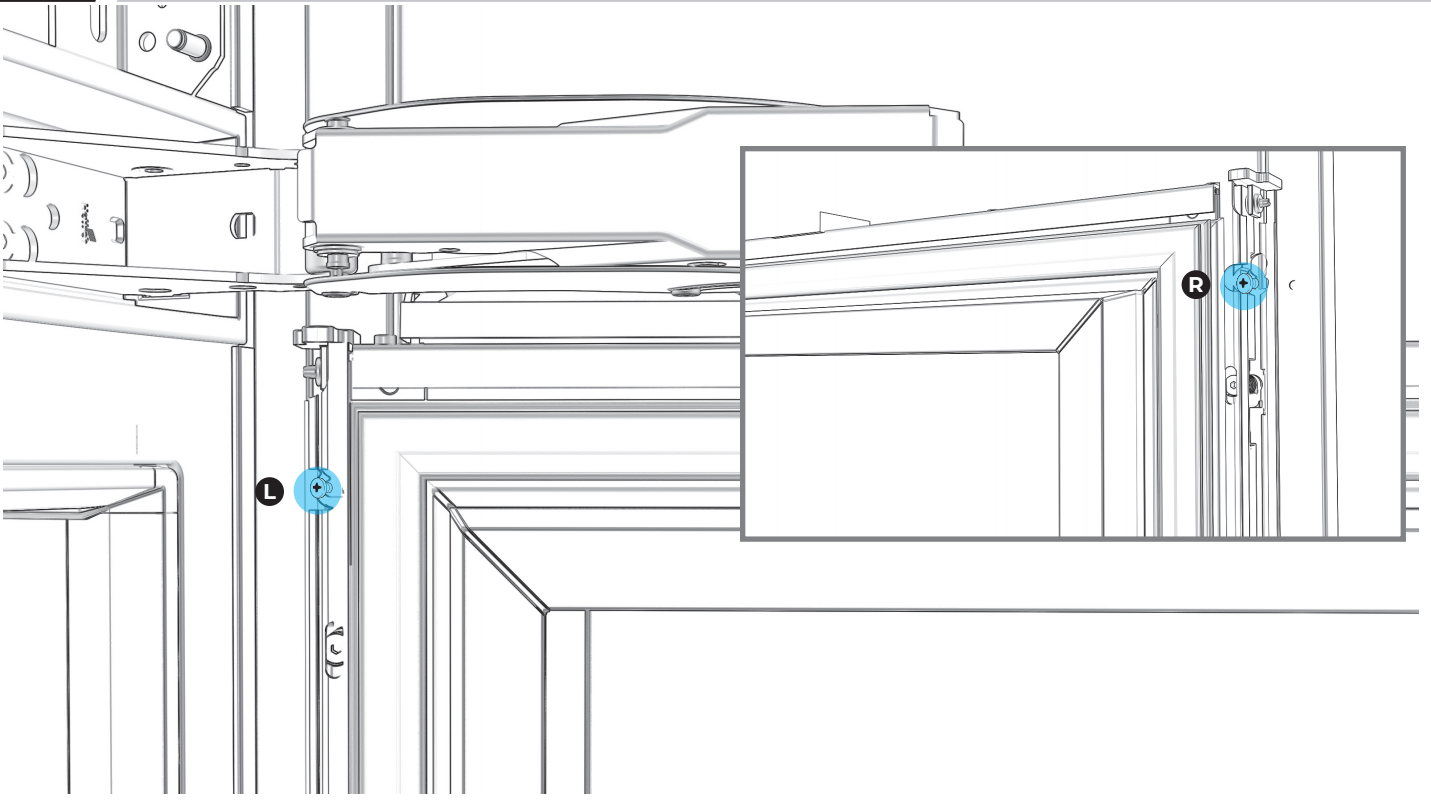


10.2

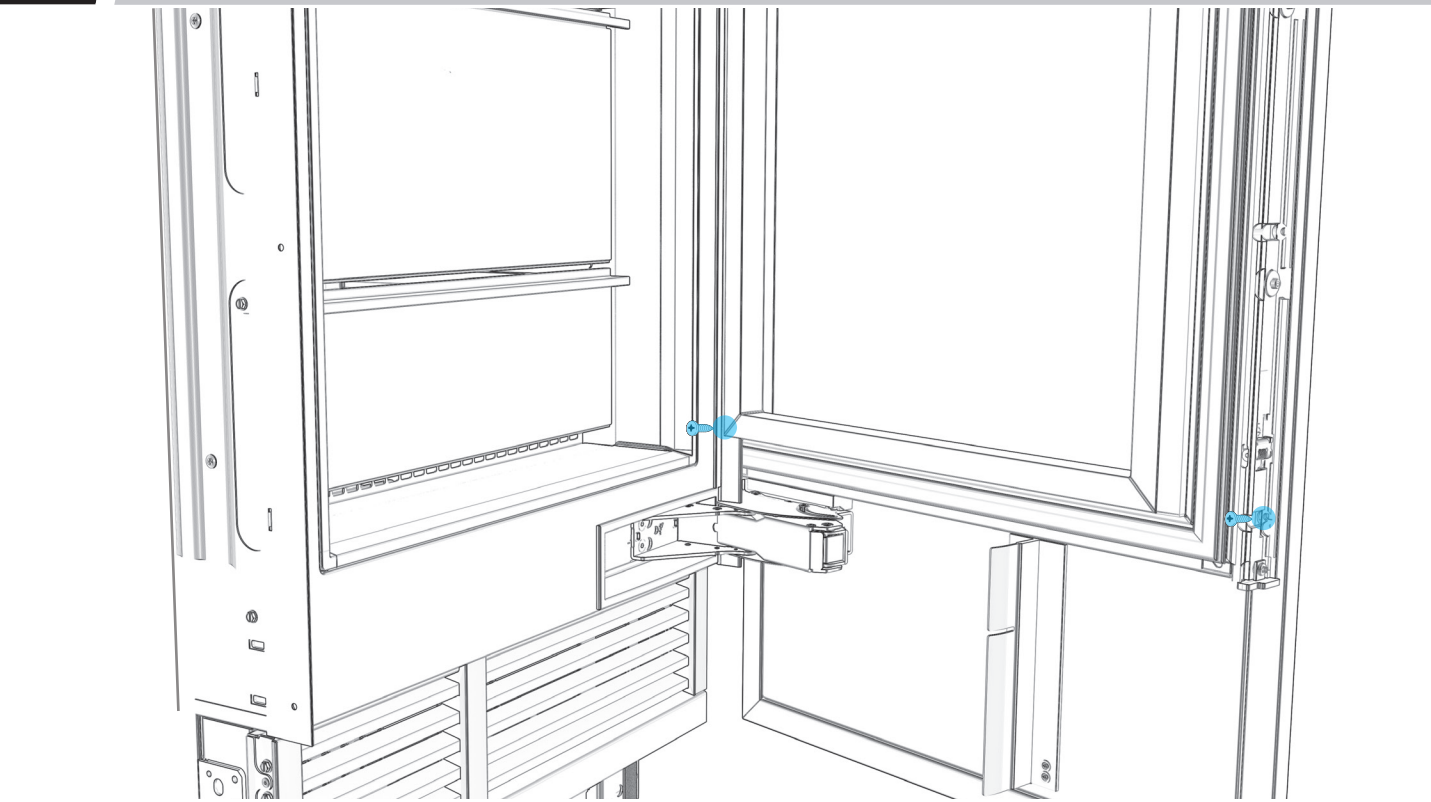
MANUALLY ADJUST POSITION OF DOOR PANEL.



10.3 TIGHTEN TOP TWO FASTENERS.



10.4 LOOSELY DRIVE IN TWO BOTTOM FASTENERS.

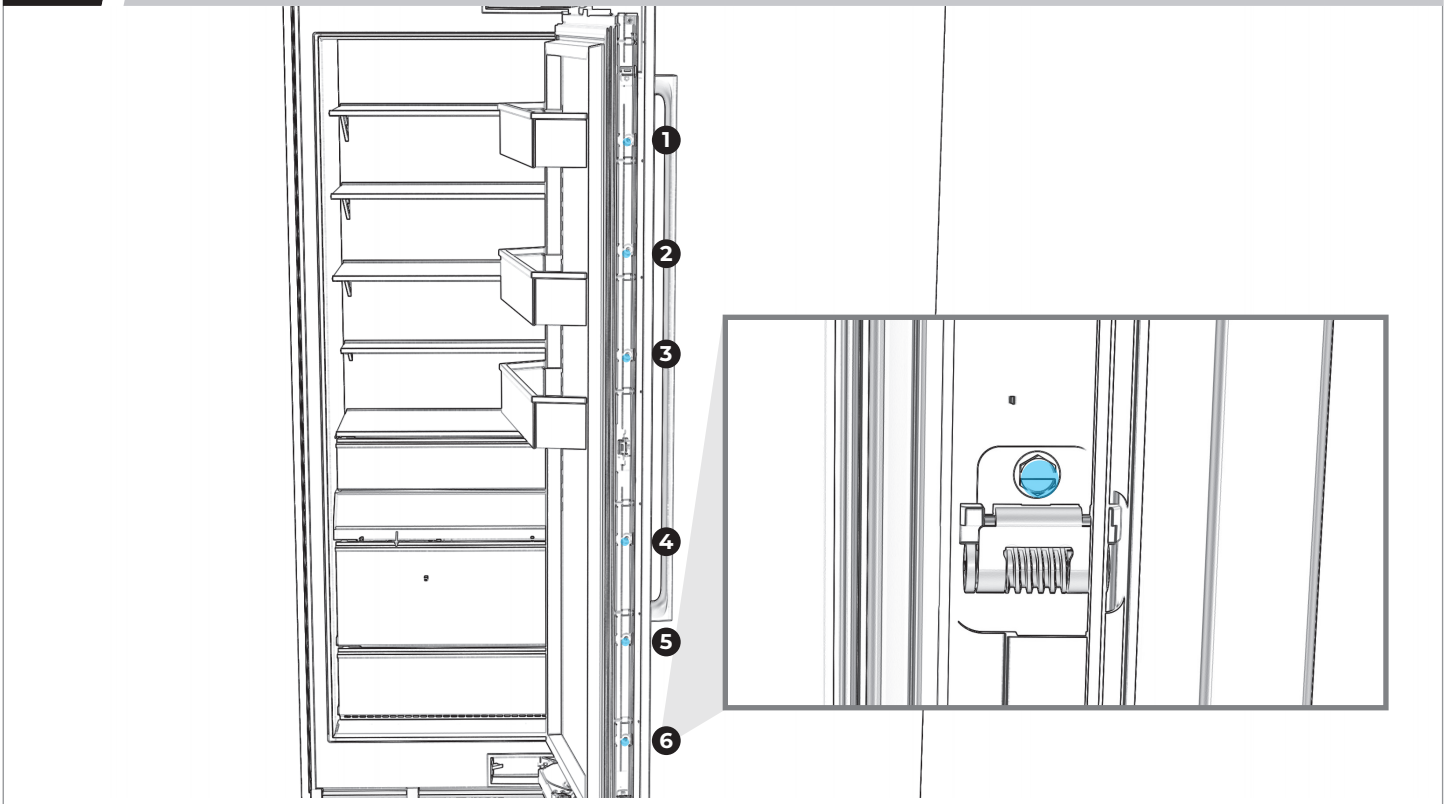


10

PANEL HANGING AND ADJUSTMENT

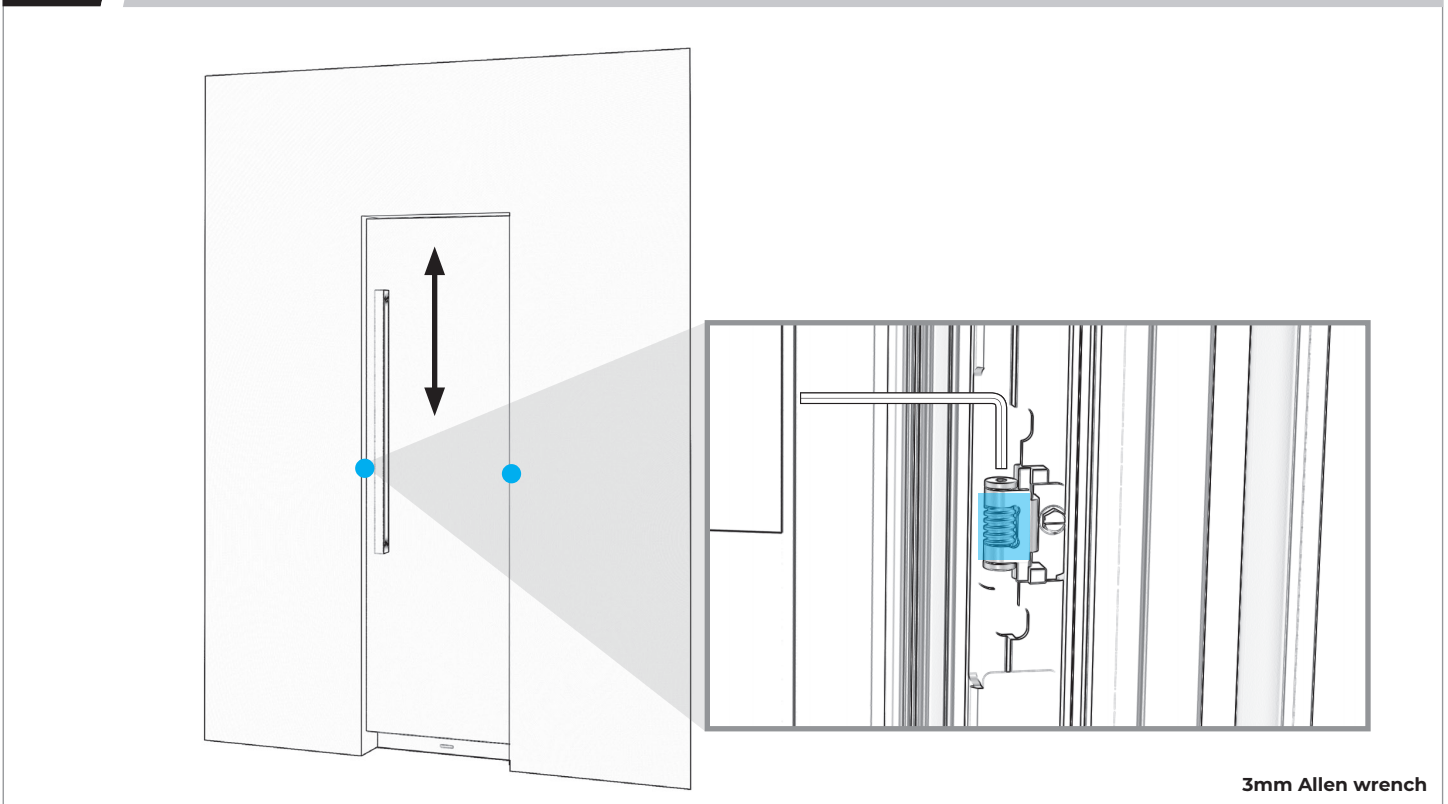
10.5

LOOSEN SIX ADJUSTMENT SCREWS PER SIDE.



10.6

ADJUST DOOR PANEL HEIGHT UP AND DOWN.



3mm Allen wrench

10.7

ADJUST DEPTH OF THE DOOR PANEL.



3mm Allen wrench

10.8

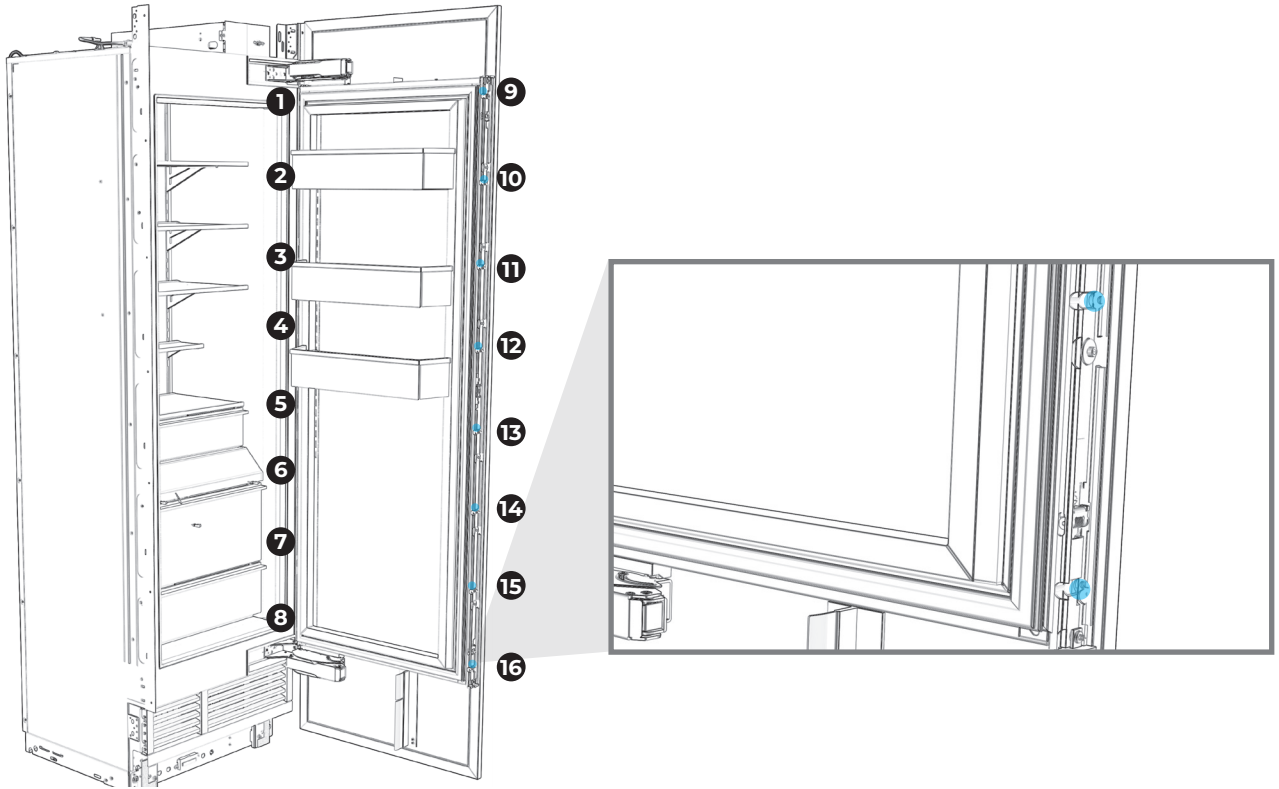
CHECK THAT DOOR PANEL IS IN PLANE WITH FURNITURE.



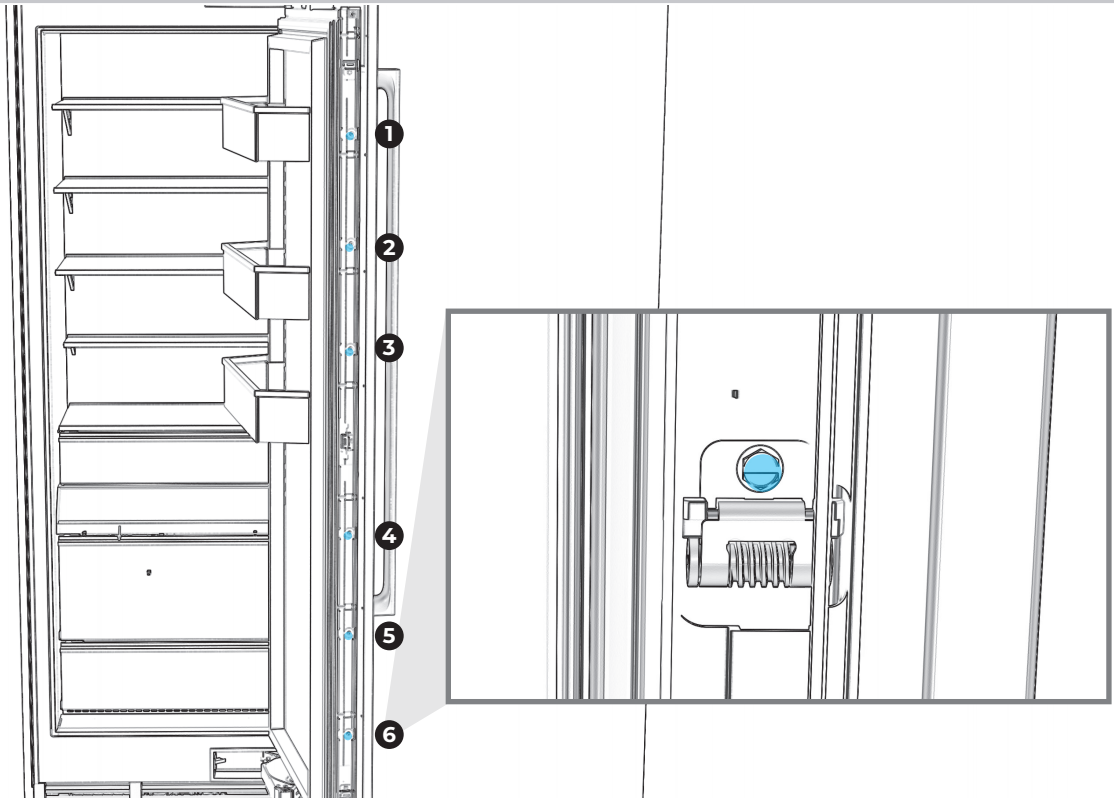
10

PANEL HANGING AND ADJUSTMENT

10.9 INSERT AND TIGHTEN ALL 16 FASTENERS.

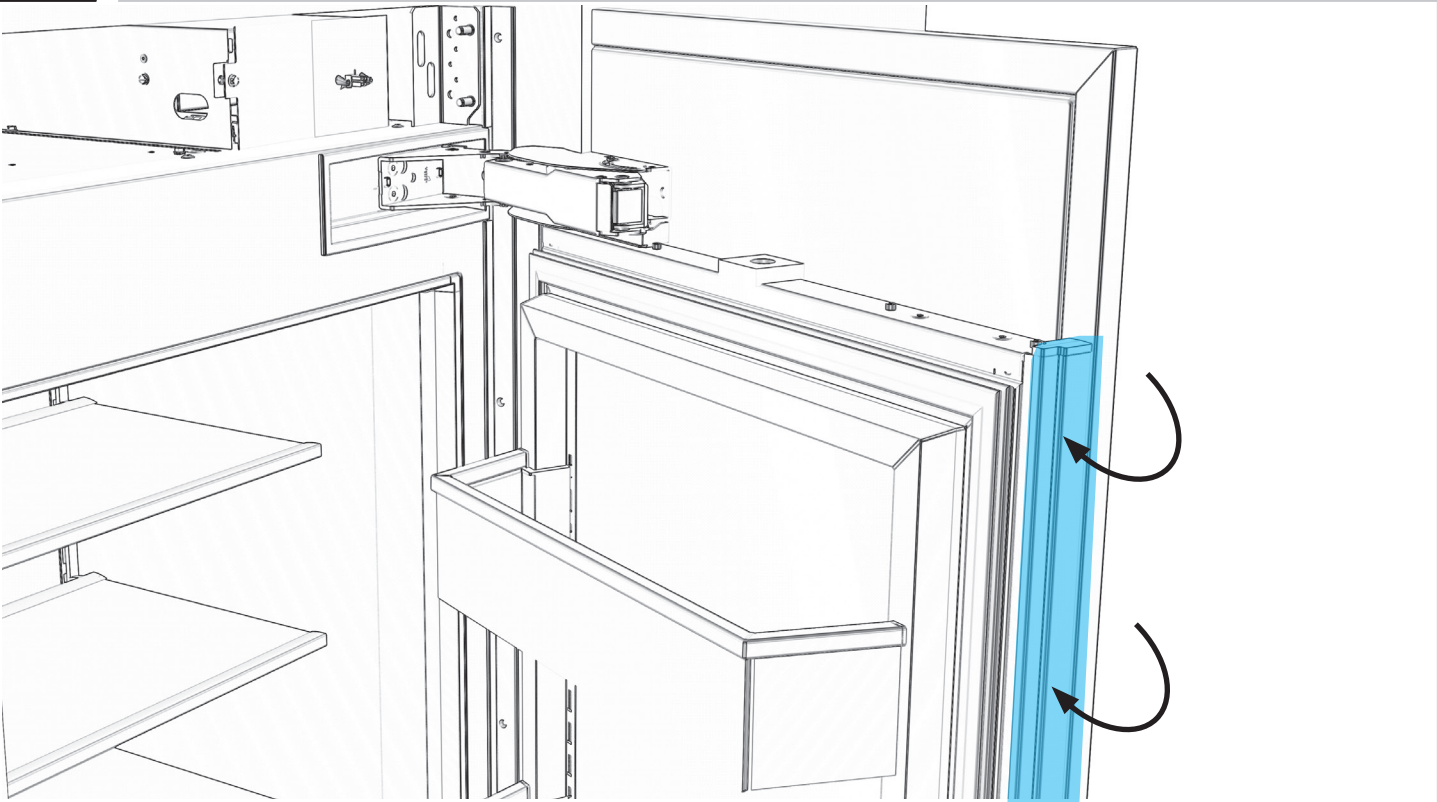


10.10 TIGHTLY SECURE SIX ADJUSTMENT SCREWS PER SIDE.



10.11

REINSTALL BRACKET TRIMS.



C O M P L E T E
INSTALLATION

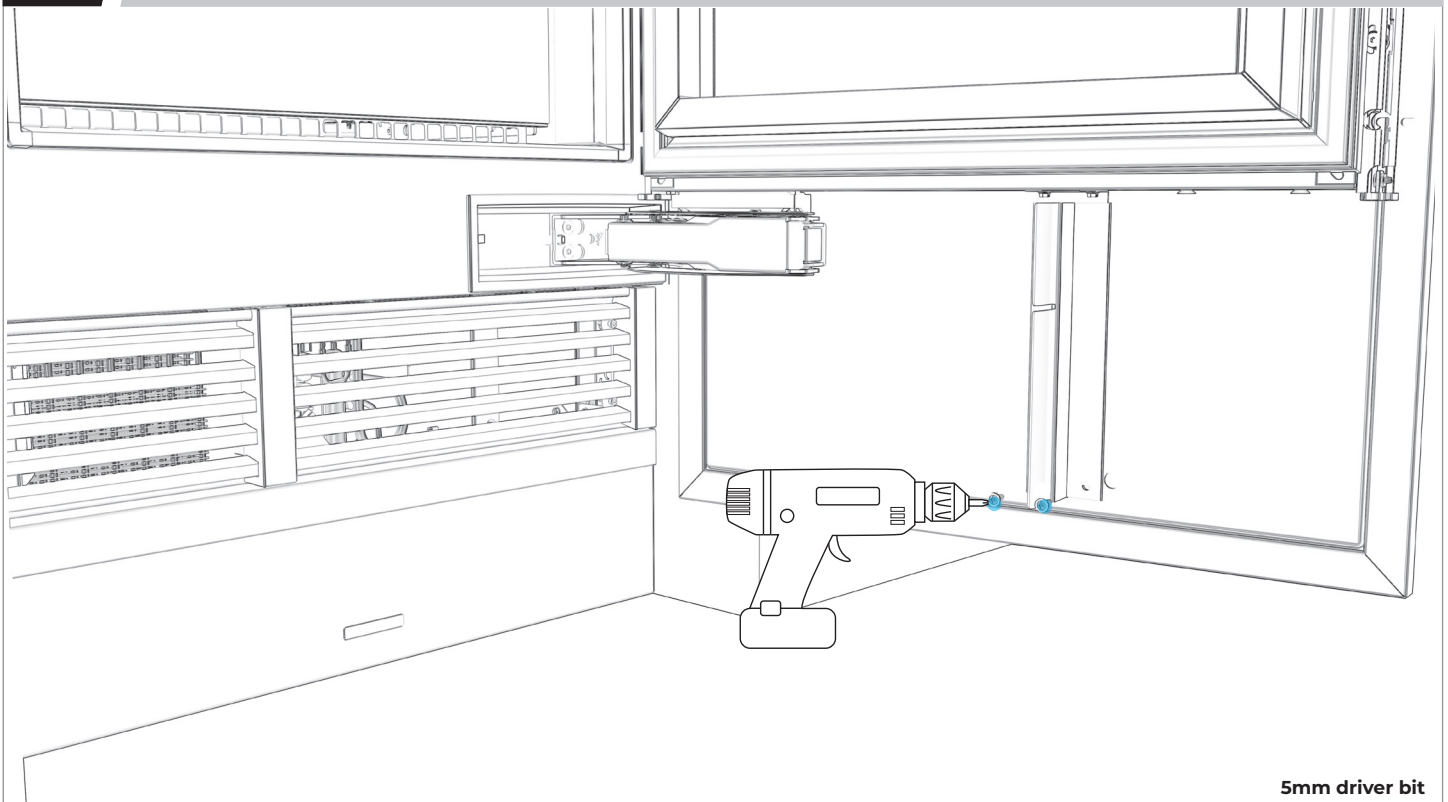
11.1

DRAW SIDE TRIM TIGHT ON EACH SIDE.



11.2

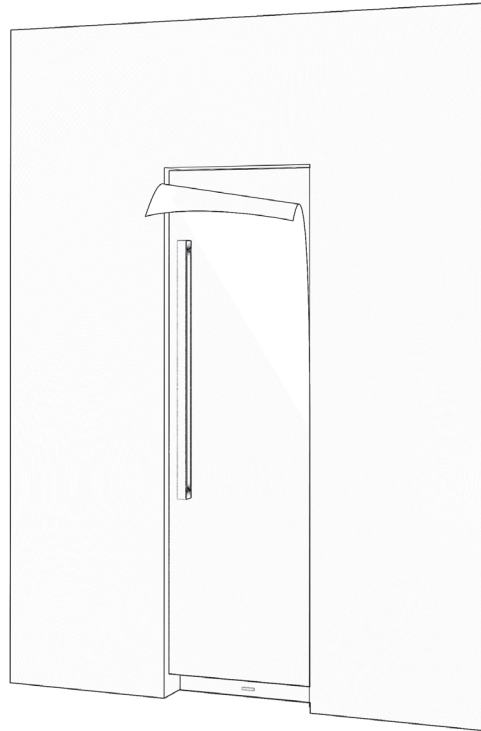
SECURE AIR DIVIDER TO DOOR PANEL.



5mm driver bit

11.3

REMOVE FILM.



BEFORE FINAL CHECK, READ WARNING.

⚠ WARNING



Electrical Shock Hazard

Plug into a grounded 3 prong outlet.

Do not remove ground prong.

Do not use an adapter.

Do not use an extension cord.

Failure to follow these instructions can result in death, fire, or electrical shock.

FINAL CHECK

- All packaging removed from the residence
- Column plugged in, powered on and operating at peak performance
- Column leveled
- Panels aligned and rechecked after 20 minutes operation
- Water supply properly connected with no leaks
- Water filter installed (not applicable with reverse osmosis system)
- Water dispenser and/or ice maker working
- Any problems with installation or parts reported to JennAir Epicenter

OWNER WALKTHROUGH

If the owner is present, provide them with the User Guide. Guide the owner through:

- Control panel functions
- App and WiFi setup
- Discarding first few batches of ice
- Replacing the water filter
- Registering their column
- How to contact JennAir Epicenter through jennair.com or at 1-800-JENNAIR (536-6247)

APPENDIX

ADDITIONAL SHIM INFORMATION

FINDING TOP SHIM THICKNESS

1. Measure and record the distance between the top left and right shim footprints.
Record this measurement below as "A".

A = _____

2. Use the below table to find the B value for your model width.
Then subtract B from A to find C:

$$\frac{\quad}{A} - \frac{\quad}{B} = \frac{\quad}{C}$$

Model Width	B
18"	17-3/4" (45.1 cm)
24"	23-3/4" (60.3 cm)
30"	29-3/4" (75.6 cm)
36"	35-3/4" (90.8 cm)

3. Divide C by 2 to find the required top shim thickness:

$$\frac{\quad}{C} / \frac{2}{\quad} = \frac{\quad}{\text{Thickness}}$$

Create the appropriate shim thickness by stacking a combination of the shims provided, if necessary.

APPENDIX

ADDITIONAL SHIM INFORMATION

FINDING BOTTOM SHIM THICKNESS

1. Measure and record the distance between the bottom left and right shim footprints. Record this measurement below as "D".

D = _____

2. Use the below table to find the E value for your model width. Then subtract E from D to find F:

$$\begin{array}{r} \underline{\hspace{2cm}} \\ D \end{array} - \begin{array}{r} \underline{\hspace{2cm}} \\ E \end{array} = \begin{array}{r} \underline{\hspace{2cm}} \\ F \end{array}$$

Model Width	E
18"	17-1/2" (44.5 cm)
24"	23-7/16" (59.5 cm)
30"	29-7/16" (74.8 cm)
36"	35-7/16" (90 cm)

3. Divide F by 2 to find the required bottom shim thickness:

$$\begin{array}{r} \underline{\hspace{2cm}} \\ F \end{array} / \begin{array}{r} \underline{\hspace{2cm}} \\ 2 \end{array} = \begin{array}{r} \underline{\hspace{2cm}} \\ \text{Thickness} \end{array}$$

Create the appropriate shim thickness by stacking a combination of the shims provided, if necessary.

Votre sécurité et celle des autres est très importante.

Nous donnons de nombreux messages de sécurité importants dans ce manuel et sur votre appareil ménager. Assurez-vous de toujours lire tous les messages de sécurité et de vous y conformer.



Voici le symbole d'alerte de sécurité.

Ce symbole d'alerte de sécurité vous signale les dangers potentiels de décès et de blessures graves à vous et à d'autres.

Tous les messages de sécurité suivront le symbole d'alerte de sécurité et le mot "DANGER" ou "AVERTISSEMENT". Ces mots signifient :

⚠ DANGER

Risque possible de décès ou de blessure grave si vous ne suivez pas immédiatement les instructions.

⚠ AVERTISSEMENT

Risque possible de décès ou de blessure grave si vous ne suivez pas les instructions.

Tous les messages de sécurité vous diront quel est le danger potentiel et vous disent comment réduire le risque de blessure et ce qui peut se produire en cas de non-respect des instructions.

IMPORTANTES INSTRUCTIONS DE SÉCURITÉ

AVERTISSEMENT : Pour réduire le risque d'incendie, de choc électrique ou de blessure dans le cadre de l'utilisation du réfrigérateur, suivre les consignes de base suivantes :

- Pour éviter un danger provoqué par l'instabilité de l'appareil, ce dernier doit être fixé selon les instructions.
- Brancher l'appareil sur une prise à 3 alvéoles reliée à la terre.
- Installation ne devrait être effectuée que par le fabricant ou un agent autorisé.
- Ne pas enlever la prise de liaison à la terre.
- Ne pas utiliser d'adaptateur.
- Ne pas utiliser de rallonge.
- Déconnecter la source de courant électrique avant l'entretien.
- Replacer pièces et panneaux avant de faire la mise en marche.
- Enlever les portes de votre ancien réfrigérateur.
- Utiliser un produit de nettoyage ininflammable.
- Ne pas remiser ou utiliser de l'essence ou tout autre liquide ou vapeur inflammable à proximité de cet appareil ou de tout autre appareil électroménager. Les émanations peuvent causer des incendies ou explosions.
- Ne pas entreposer de substances explosives comme des aérosols avec agent propulseur inflammable dans ce réfrigérateur.
- Ne pas utiliser ou placer de dispositif électrique à l'intérieur des compartiments du réfrigérateur si ce dispositif ne correspond pas au type de dispositif expressément autorisé par le fabricant.
- Il faut l'aide d'au moins deux personnes pour déplacer et installer le réfrigérateur.
- Déconnecter la source de courant électrique avant d'installer la machine à glaçons (sur modèles avec ensemble de machine à glaçons prêt-à-installer uniquement).
- L'installation de la canalisation d'eau et de la machine à glaçons doit être effectuée par un technicien de service qualifié. Consulter les instructions d'installation fournies avec la trousse de machine à glaçons IC13B pour tous les détails.
- Raccorder à la canalisation d'arrivée d'eau potable uniquement.
- Utiliser un verre robuste pour prendre des glaçons (sur certains modèles).
- Cet appareil ne convient pas à une utilisation par des personnes (y compris des enfants) à capacités physiques, sensorielles ou mentales réduites, ou possédant un manque d'expérience et de connaissances, à moins qu'elles ne soient placées sous supervision ou qu'elles aient reçu des instructions concernant l'utilisation de l'appareil par une personne responsable de leur sécurité.
- Les enfants doivent être placés sous surveillance afin de s'assurer qu'ils ne jouent pas avec l'appareil.
- Pour éviter que les enfants ne soient coincés et ne suffoquent à l'intérieur du réfrigérateur, ne pas les laisser jouer ou se cacher à l'intérieur de l'appareil.
- Si le cordon d'alimentation est endommagé, il doit être remplacé par le fabricant, son agent de réparation ou toute autre personne qualifiée afin d'éviter tout danger.
- Ce réfrigérateur est destiné à un usage domestique et à d'autres usages similaires tels que :
 - espace de cuisine pour personnel de boutiques, bureaux et autres environnements professionnels;
 - résidences fermières et utilisation par les clients d'hôtels, de motels et d'autres types de résidences;
 - environnements de type chambres d'hôtes;
 - Banquets et autres utilisations non commerciales semblables.

CONSERVEZ CES INSTRUCTIONS

⚠ AVERTISSEMENT

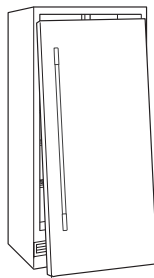
Risque de suffoquer

Enlever les portes de votre vieux réfrigérateur.

Le non-respect de cette instruction peut causer un décès ou des lésions cérébrales.

Renseignements importants à propos de la mise au rebut des fluides réfrigérants :

Mettre le réfrigérateur au rebut conformément à la réglementation fédérale et locale. Les fluides réfrigérants doivent être évacués par un technicien certifié et agréé par l'EPA conformément aux procédures établies.



IMPORTANT: Le risque qu'un enfant puisse se retrouver coincé et suffoquer n'est pas chose du passé. Les réfrigérateurs jetés ou abandonnés restent dangereux, même s'ils ne restent à l'extérieur que pour "quelques jours seulement". Si l'ancien réfrigérateur doit être mis au rebut, suivre les instructions suivantes afin d'éviter les accidents.

Avant de jeter l'ancien réfrigérateur ou congélateur :

- Enlever les portes.
- Laisser les tablettes en place de sorte que les enfants ne puissent pas y pénétrer facilement.

F A C I L E . R A P I D E . S É C U R I T A I R E .

Grâce au tout premier réfrigérateur intégré en colonne JennAir®, nous avons complètement repensé le processus d'installation pour éliminer les problèmes que rencontre notre concurrence de moins bonne qualité. Voici quelques-unes des caractéristiques très attendues par les installateurs professionnels :

- **Ajustement en 6 points du panneau dissimulé**
Alignement facile et précis
- **Cales du système Rotter ajustable sur place**
Guident et gardent l'appareil en place
- **Nivellement avant précis en 4 points**
Sur de robustes roulettes qui peuvent facilement supporter le poids complet
- **Façade en métal**
Augmente la durabilité
- **Panneau en acier inoxydable avec coeur en bois**
Facile à préparer et à suspendre, ne requiert pas de perçage dans l'acier
- **Zones utilitaires améliorées**
Réduit les modifications pour remplacer un appareil intégré ou l'appareil désuet d'un compétiteur

Et grâce à votre aide, nous nous améliorons sans cesse.

Communiquer avec l'Epicenter de JennAir en passant par le site Web au jennair.com ou en composant le 1 800 JENNAIR (536-6247) pour nous faire part de vos conseils et astuces d'installation ou pour consulter un expert qui connaît sur le bout des doigts le processus d'installation.

POURQUOI AIMONS-NOUS LES INSTALLATEURS JENNAIR ?

PARCE QU'ILS SONT COMPLÈTEMENT PROFESSIONNELS (ET PERFECTIONNISTES).

Tout ce qui compte, c'est une installation aussi parfaite que possible avec un ajustement au millimètre près. Une installation sans faille est très importante pour le fonctionnement, l'apparence et la durée de vie du produit, et c'est exactement ce que nos installateurs font tous les jours.

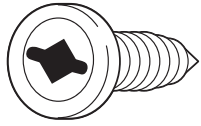
ILS FONT LEURS DEVOIRS. ET NOUS AIDENT À FAIRE LES NÔTRES.

Ces experts connaissent les produits JennAir® sur le bout de leurs doigts. Ils se forment de façon intensive pour l'installation des produits JennAir, apprenant les plus récentes techniques et les conseils des initiés pour pouvoir installer facilement nos appareils à la fine pointe de la technologie. Nous attribuons une grande valeur à leurs commentaires, c'est pourquoi nous les utilisons pour améliorer et perfectionner nos installations.

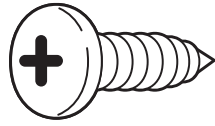
ILS PENSENT À TOUS LES DÉTAILS DE L'EXPÉRIENCE.

La base, c'est un dévouement hors du commun. L'expérience JennAir commence dès l'instant où un installateur apporte un réfrigérateur intégré en colonne chez un client. Maintenir le site propre, prendre un soin extrême des appareils et de la maison, ainsi que fournir une introduction inoubliable pour comprendre l'appareil sont tous des éléments du plan de match.

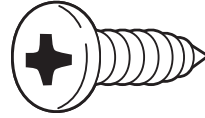
OUTILS ET PIÈCES INCLUS



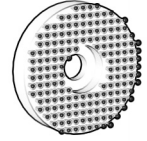
Vis à tête carrée no 2
(3-24004-079)



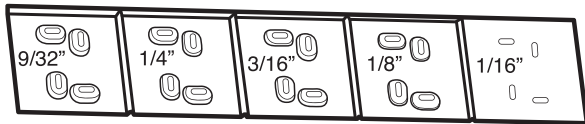
Vis à tête cruciforme
8-18 x 3/4 po
(W11041176)



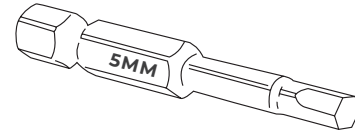
Vis 6-20 x 0,375 po
(246131)



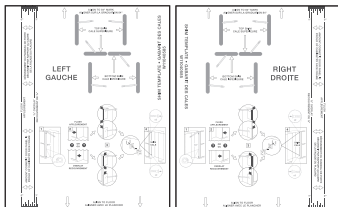
Coussins de prise
(W10840464)



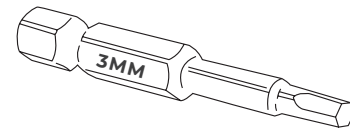
Quatre cales d'installation
(W10913387)



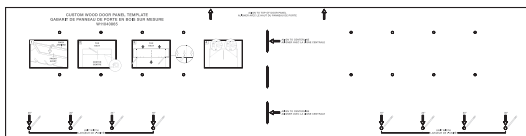
Embout de perceuse 5 mm
(W11121505)



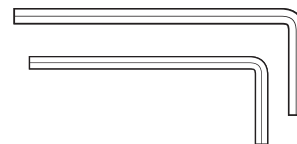
Gabarit d'installation des cales
(W11040585)



Embout de perceuse 3 mm
(W11121512)



Gabarit d'installation de la plinthe et du panneau de porte
(W11040865)



Clé hexagonale de 3 mm
Clé hexagonale de 5 mm



LIRE ET OBSERVER LES INSTRUCTIONS D'INSTALLATION FOURNIES
AVEC CHACUN DES OUTILS MENTIONNÉS DANS LA LISTE

OUTILS ET PIÈCES

NON INCLUS

OUTILS

- Perceuse sans fil avec foret ou tournevis à percussion
- Ensemble de forets incluant des forets de 3/32 po et 1/8 po
- Deux clés à molette
- Embout de tournevis cruciforme no 2
- Tourne-écrou magnétique de 1/4 po
- Embout de perceuse carré no 2
- Niveau ou règle plate de 48 po ou plus
- Clés plates de 3/8 po et 1/2 po
- Ruban à mesurer
- Couteau utilitaire
- Ruban adhésif de masquage
- Chariot pour appareil ménager
- Adaptateur de perceuse à angle droit
- Rallonge pour perceuse de 6 po
- Assortiment de vis à bois à tête plate no 8 de 1 po, 1 1/4 po et 1 1/2 po de long

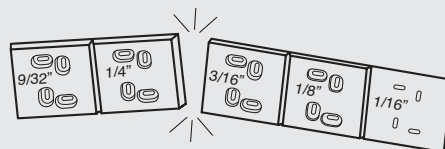
PIÈCES

- Tuyau d'entrée d'eau flexible approuvé par le code
- Panneaux de porte décoratifs personnalisés
 - Panneaux en acier inoxydable : à commander de JennAir
 - Panneaux de bois personnalisés : consulter un fabricant de meubles ou un menuisier qualifié
- Des attaches supplémentaires seront requises en fonction de la fabrication des meubles de cuisine

POURQUOI UTILISER LES CALES DU SYSTÈME ROTTER?

Cette procédure recommandée pourrait ne pas sembler familière aux installateurs, mais elle ajoute beaucoup de valeur au client comme à vous. Utiliser le système Rotter pour :

- Aider à positionner l'appareil sans rayer de surfaces
- Créer un dégagement précis de 1/8 po de chaque côté
- Toujours avoir à portée de la main des cales conçues pour chacun des côtés
- Garder l'appareil stable dans l'ouverture pour toute la durée de vie utile
- Éliminer les problèmes d'alignement pour votre client



DIMENSIONS

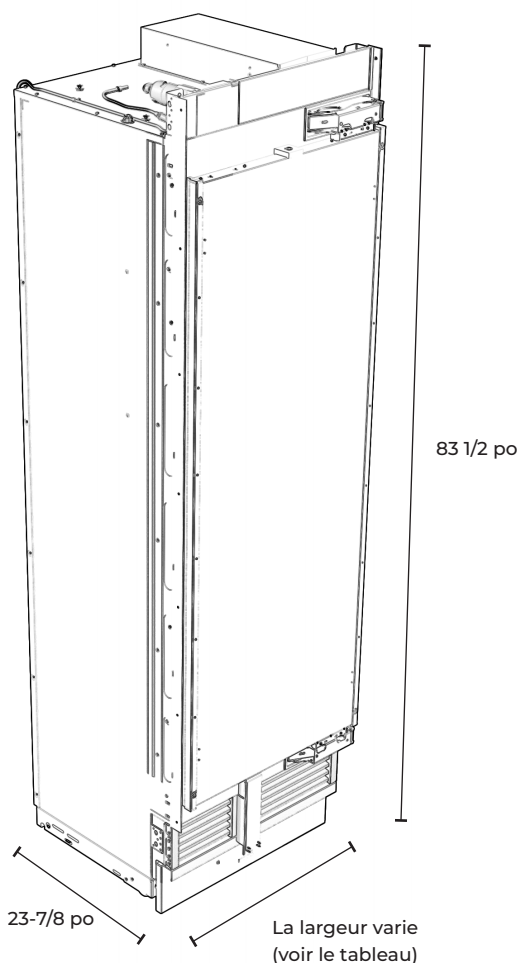
PRODUIT

APERÇU DU PRODUIT (SANS PANNEAU)

Largeur	Consulter le tableau de largeur du produit ci-dessous
Hauteur	83-1/2 po (212 cm)
Profondeur	23 7/8 po (60,6 cm)
Hauteur de porte sans panneau	62 3/16 po (157,9 cm)
Hauteur de la plinthe	3 9/16 po (9,1 cm)
Profondeur de la plinthe	3 1/4 po – 4 7/8 po (8,3 cm – 12,4 cm)

LARGEUR DU PRODUIT

Modèle	Largeur
18 po JBZFR18IGX JBZFL18IGX	17-3/4 po (45,1 cm)
24 po JBRFR24IGX JBRFL24IGX JBZFR24IGX JBZFL24IGX	23-3/4 po (60,3 cm)
30 po JBRFR30IGX JBRFL30IGX JBZFR30IGX JBZFL30IGX	29-3/4 po (75,6 cm)
36 po JBRFR36IGX JBRFL36IGX	35-3/4 po (90,8 cm)



DIMENSIONS

ACCESSOIRES

PANNEAU EN ACIER INOXYDABLE

Hauteur	80 po (203,2 cm)
Épaisseur	13/16 po (2,1 cm)

PLINTHE PERSONNALISÉE

Hauteur	3-9/16 po (9,1 cm)
Épaisseur	3/16 po -3/4 po (,47 cm-1,9 cm)

PANNEAU PERSONNALISÉ

Épaisseur	3/4 po (1,9 cm) max.
Poids	60 lbs. (27,2 kg) max.
Hauteur habituelle	80 po (203,2 cm)

STYLE DE PORTE

LARGEUR DU PANNEAU PERSONNALISÉ

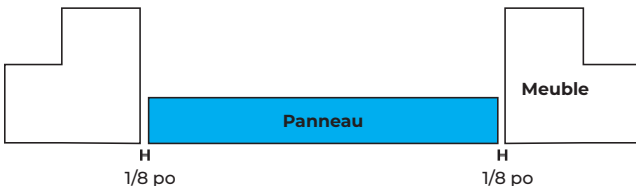
▲ MISE EN GARDE

Risque de pincement

L'installation de panneaux de porte avec un espacement de moins de 3/8 po (0,95 cm) entre le panneau de porte et l'armoire adjacente augmente le risque de pincement.

MODÈLE	LARGEUR EN AFFLEUREMENT
18 po	17-3/4 po (45,1 cm)
24 po	23-3/4 po (60,3 cm)
30 po	29-3/4 po (75,6 cm)
36 po	35-3/4 po (90,8 cm)

MODÈLE	LARGEUR PAR DESSUS
18 po	19 po (48,3 cm)
24 po	25 po (63,5 cm)
30 po	31 po (78,7 cm)
36 po	37 po (94 cm)

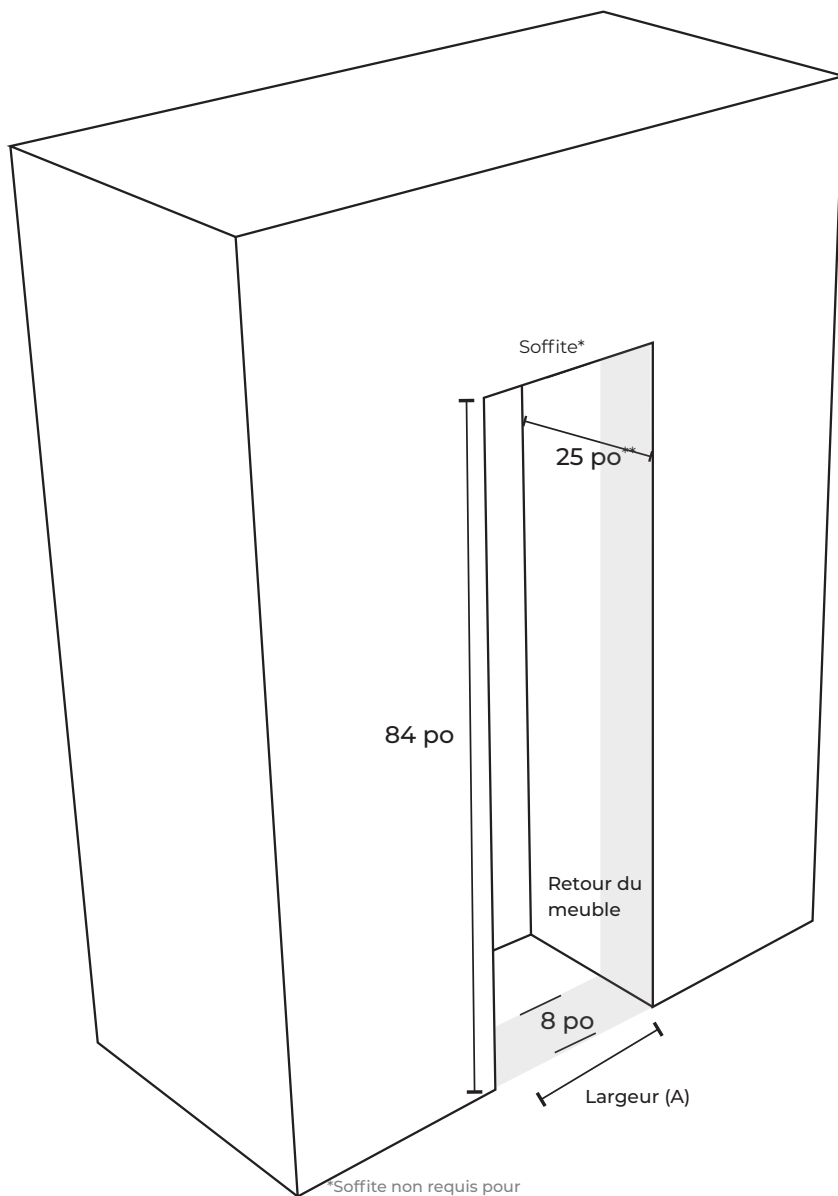


DIMENSIONS

OUVERTURE

LARGEUR DE L'OUVERTURE

Modèle	Largeur (A)
18 po JBZFR18IGX JBZFL18IGX	18 po (45,7 cm)
24 po JBRFR24IGX JBRFL24IGX JBZFR24IGX JBZFL24IGX	24 po (61 cm)
30 po JBRFR30IGX JBRFL30IGX JBZFR30IGX JBZFL30IGX	30 po (76,2 cm)
36 po JBRFR36IGX JBRFL36IGX	36 po (91,4 cm)



*Soffite non requis pour une installation avec compartiment unique

**24 po avec trousse de garniture de 24 po

DIMENSIONS

OUVERTURE

⚠ MISE EN GARDE

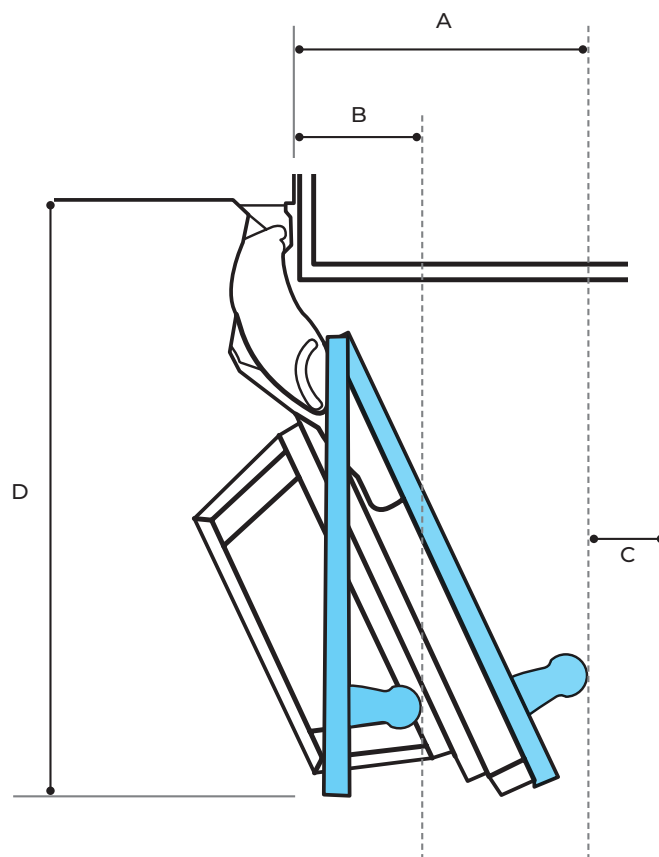
Risque de pincement

L'installation de panneaux de porte avec un espacement de moins de 3/8 po (0,95 cm) entre le panneau de porte et l'armoire adjacente augmente le risque de pincement.

EXIGENCES POUR L'OUVERTURE DE LA PORTE

Modèle	Ouverture de porte à 115° (A)	Ouverture de porte à 90° (B)	Espace avec le mur (C)	Profondeur d'ouverture de porte (D)
18 po	10-1/2 po (26,7 cm)	5 po (12,7 cm)	2-1/2 po (6,4 cm)	44-1/2 po (113 cm)
24 po	13 po (33 cm)	5 po (12,7 cm)	2-1/2 po (6,4 cm)	50-1/2 po (128,3 cm)
30 po	15-1/2 po (39,4 cm)	5 po (12,7 cm)	2-1/2 po (6,4 cm)	56-3/8 po (143 cm)
36 po	18 po (45,7 cm)	5 po (12,7 cm)	2-1/2 po (6,4 cm)	62-7/16 po (158,6 cm)

Les dimensions donnent 2 1/2 po d'espace entre la poignée en acier inoxydable et le mur pour éviter les pincements. Si un panneau de bois personnalisé est utilisé, ne pas oublier la profondeur de la poignée pour conserver un espace de 2 1/2 po.



PRÉPARATION DE L'EMPLACEMENT

1. VÉRIFIER LE MEUBLE

- Mesurer pour s'assurer que toutes les dimensions de l'ouverture sont bonnes. (Voir la page précédente.)
- Panneau latéral : Contreplaqué de 3/4 po (1,9 cm) d'épaisseur
IMPORTANT : Ne doit pas être fabriqué en fibres pressées comme le MDF.
- Hauteur du soffite (si présent) : 84 po (213,4 cm)

⚠ AVERTISSEMENT



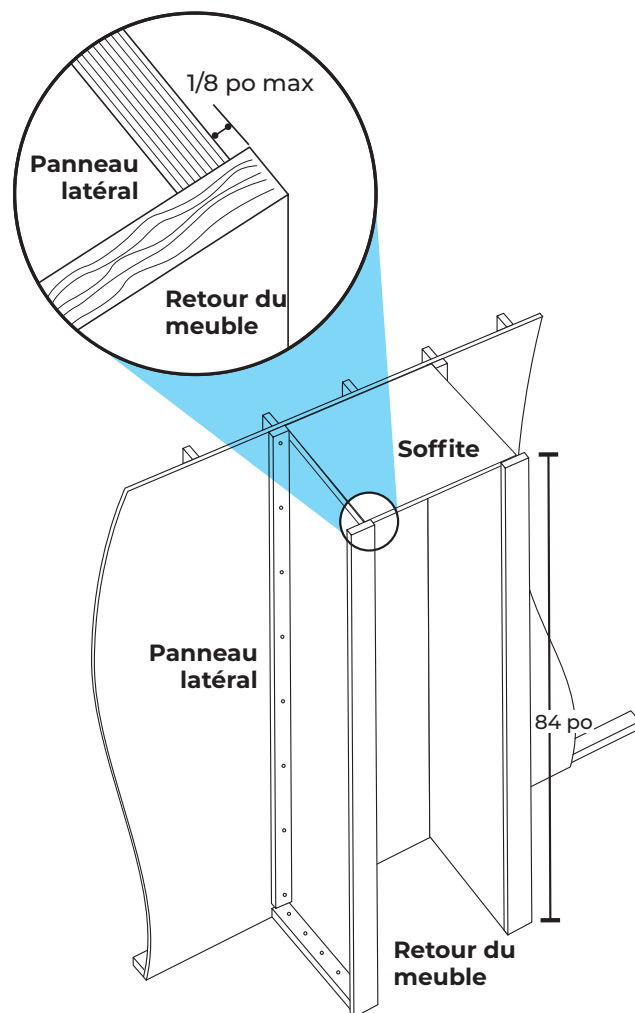
Risque d'explosion

Garder les matériaux et les vapeurs inflammables, telle que l'essence, loin du réfrigérateur.

Le non-respect de cette instruction peut causer un décès, une explosion ou un incendie.

2. VÉRIFIER LE LIEU DE L'INSTALLATION

- Loin de tout four, radiateur ou autre source de chaleur.
- La température ne doit pas descendre sous 55 °F (13 °C).
- Le plancher doit pouvoir supporter plus de 600 lb. [272 kg], les panneaux de porte et le contenu.
- Plancher de la pièce d'aplomb.
- Avant du meuble d'aplomb.



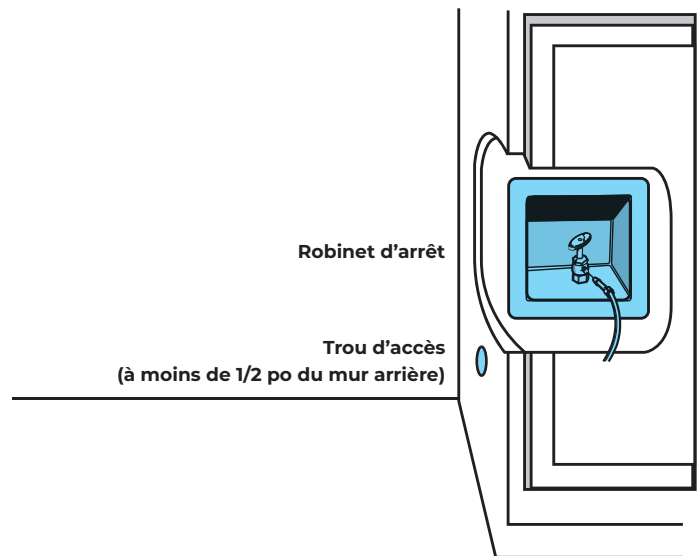
PRÉPARATION DE L'EMPLACEMENT

3. VÉRIFIER L'ARRIVÉE D'EAU

- L'arrivée d'eau est conforme avec les codes locaux de plomberie.
- Le robinet d'arrêt est situé dans l'armoire du bas, comme indiqué, ou dans un espace facile d'accès.
- Le trou d'accès à travers l'armoire se trouve à moins de 1/2 po (1,3 cm) du mur arrière.
- N'installer de tuyau supplémentaire que si la température reste au-dessus du point de congélation. Vérifier qu'il n'y a pas de fuite.
- Ne pas utiliser de robinet d'arrêt de type à percer de 3/16 po (4,76 mm). Demander au marchand de réfrigérateurs une trousse de robinet d'arrêt à étrier conforme avec les codes locaux de plomberie.
- Si la pression d'eau au système de filtration par osmose inverse est inférieure à 40 – 60 lb/po² (276 – 414 kPa) :
 - Vérifier que le filtre à sédiment n'est pas bloqué. Remplacer le filtre si nécessaire.
 - Laisser le réservoir se remplir après une utilisation intense.
 - Enlever la cartouche de filtre à eau. Aucune dérivation de filtre n'est nécessaire.

SPÉCIFICATIONS DE L'ALIMENTATION EN EAU

Pression d'eau	30 – 120 lb/po ² (207 – 827 kPa)
Pression d'eau au système d'osmose inverse	40 – 60 lb/po ² (276 – 414 kPa) min.
Excédent de canalisation d'eau pour le raccordement	30 po (76,2 cm)
Alimentation	Tuyau en cuivre, à tresse d'acier inoxydable ou PEX d'un diamètre extérieur de 1/4 po



POUR TOUTE QUESTION AU SUJET DE L'ALIMENTATION EN EAU, FAIRE APPEL À UN PLOMBIER QU'ALIFIÉ À GRÉÉ

PRÉPARATION DE L'EMPLACEMENT

⚠ AVERTISSEMENT



Risque de choc électrique

Brancher sur une prise à 3 alvéoles reliée à la terre.

Ne pas enlever la broche de liaison à la terre.

Ne pas utiliser un adaptateur.

Ne pas utiliser un câble de rallonge.

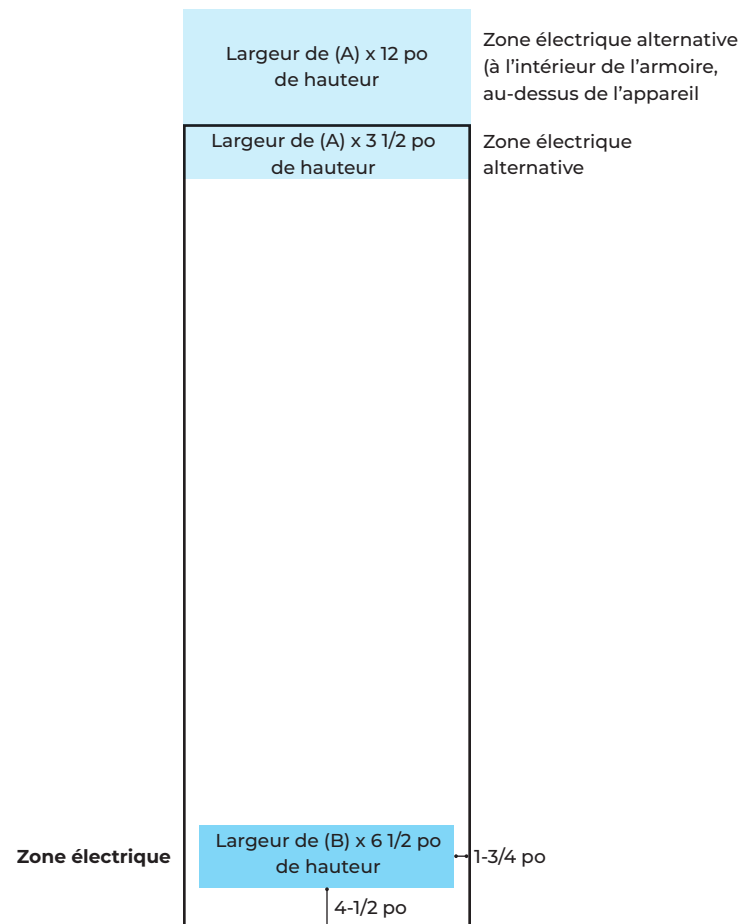
Le non-respect de ces instructions peut causer un décès, un incendie ou un choc électrique.

SPÉCIFICATIONS ÉLECTRIQUES

Largeur du produit/ largeur de la zone électrique alternative (A)	Largeur de la zone électrique (B)
18 po (45,7 cm)	14-1/2 po (36,8 cm)
24 po (61 cm)	20-1/2 po (52 cm)
30 po (76,2 cm)	26-1/2 po (67,3 cm)
36 po (91,4 cm)	32-1/2 po (82,6 cm)

4. VÉRIFIER L'ÉLECTRICITÉ

- Le réfrigérateur intégré en colonne doit être branché sur un circuit séparé. La prise de courant ne doit pas pouvoir être éteinte par un interrupteur.
- Ne pas utiliser de rallonge.
- Ne pas utiliser une prise protégée par un disjoncteur différentiel.
- Ne pas utiliser une prise protégée par un disjoncteur différentiel.



? POUR TOUTE QUESTION AU SUJET DE L'ALIMENTATION ÉLECTRIQUE, FAIRE APPEL À UN ÉLECTRICIEN QU ALIFIÉ AGRÉÉ

PRÉPARATION DE L'EMPLACEMENT

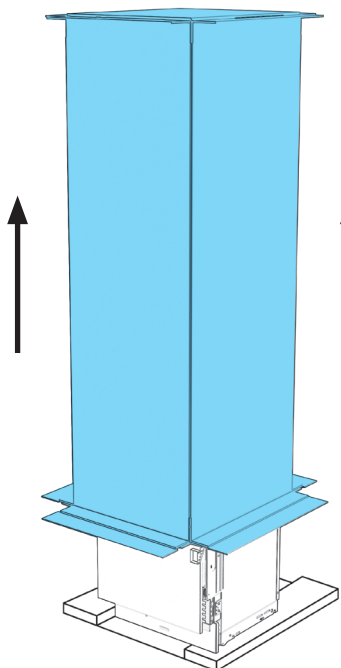
5. VÉRIFICATION AVANT L'INSTALLATION

- Vérifier le style de porte choisi par le client.
- Enlever tous les éléments d'installation du tiroir pour spécialités.
- Marque le style de porte choisi sur les gabarits et les gabarits de profondeur de porte à l'aide d'un marqueur indélébile.
- Vérifier que les mesures diagonales de l'ouverture correspondent.
- Consulter le document de conception pour vérifier les dimensions de la plinthe et du panneau, ainsi que les ouvertures et chevauchements.

PRÉPARATION DE
L'APPARENCE!

1.1

RETIRER L'APPAREIL DE LA BOÎTE, JETER CARTON.



ENLEVER LA TROUSSE D'INSTALLATION DU TIROIR À SPÉCIALITÉ
PENDANT QUE L'APPAREIL EST ENCORE SUR LES PATINS

AVANT DE DÉPLACER L'APPAREIL, LIRE TOUS LES AVERTISSEMENTS.

⚠ AVERTISSEMENT



Risque de basculement

Le réfrigérateur est lourd au sommet et bascule facilement lorsqu'il n'est pas complètement installé.

Garder les portes fermées avec un ruban adhésif jusqu'à l'installation complète du réfrigérateur.

Utiliser deux ou plus de personnes pour déplacer et installer le réfrigérateur.

Le non-respect de ces instructions peut causer un décès ou une blessure grave.

Déplacement de votre réfrigérateur :

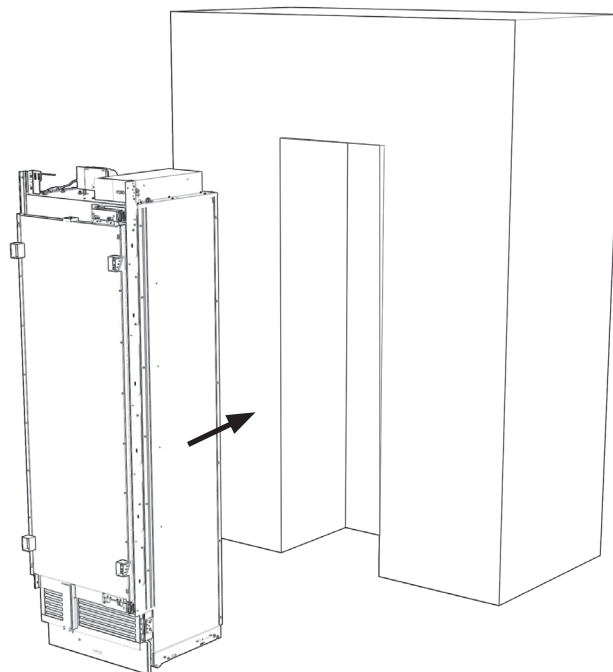
Votre réfrigérateur est lourd. Lors du déplacement de votre réfrigérateur pour le nettoyage ou un entretien ou réparation, veiller à recouvrir le plancher avec du carton ou un panneau de fibres dures pour éviter qu'il ne subisse tout dommage. Toujours tirer le réfrigérateur tout droit lors de son déplacement. Ne pas incliner le réfrigérateur d'un côté ou de l'autre ni le "faire marcher" en essayant de le déplacer car le plancher pourrait être endommagé.

Importants renseignements à savoir au sujet des tablettes et des couvercles en verre :

Ne pas nettoyer les tablettes ou couvercles en verre avec de l'eau tiède quand ils sont froids. Les tablettes et les couvercles peuvent se briser s'ils sont exposés à des changements soudains de température ou à un impact tel que coup brusque. Le verre trempé est conçu pour éclater en d'innombrables pièces minuscules. Ceci est normal. Les tablettes et les couvercles en verre sont lourds. Les saisir à deux mains lors de leur dépose afin d'éviter de les faire tomber.

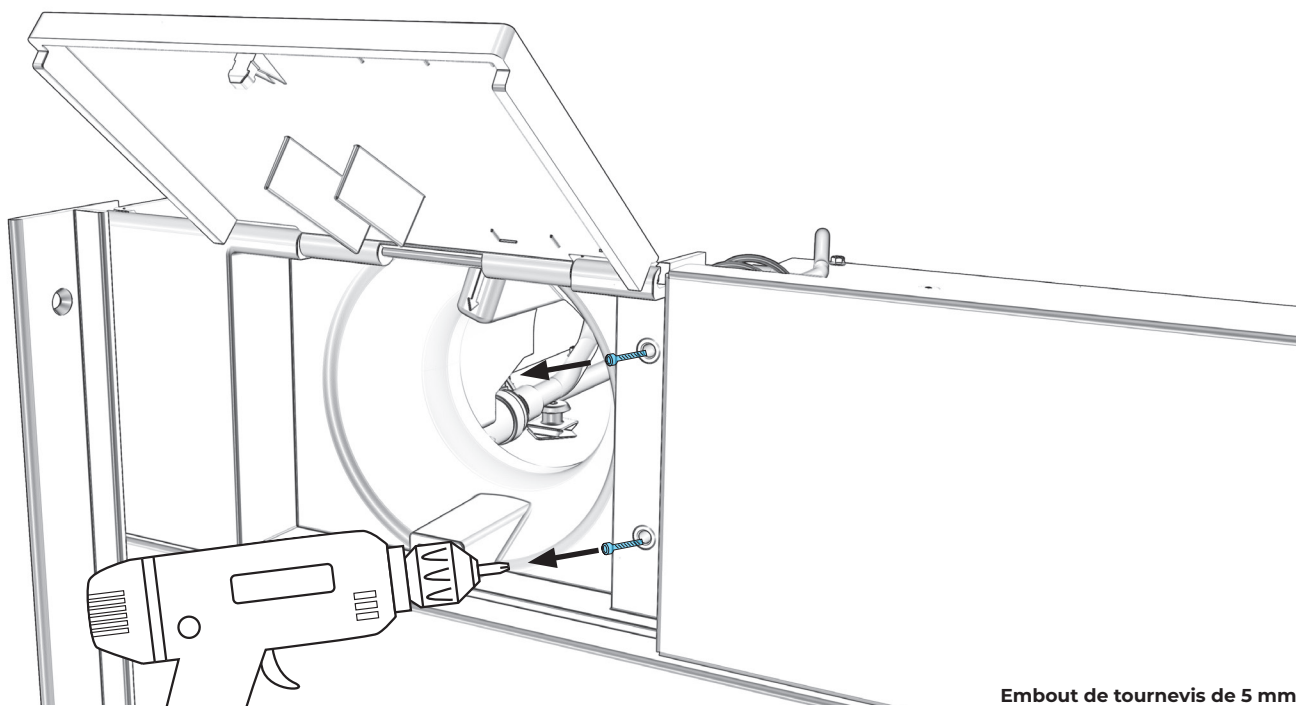
1.2

DÉPLACER L'APPAREIL DEVANT L'OUVERTURE.

DÉPLACER L'APPAREIL À DEUX PERSONNES. NE PAS OUVRIR LA
PORTE AVANT QUE L'APPAREIL SOIT SÉCURISÉ

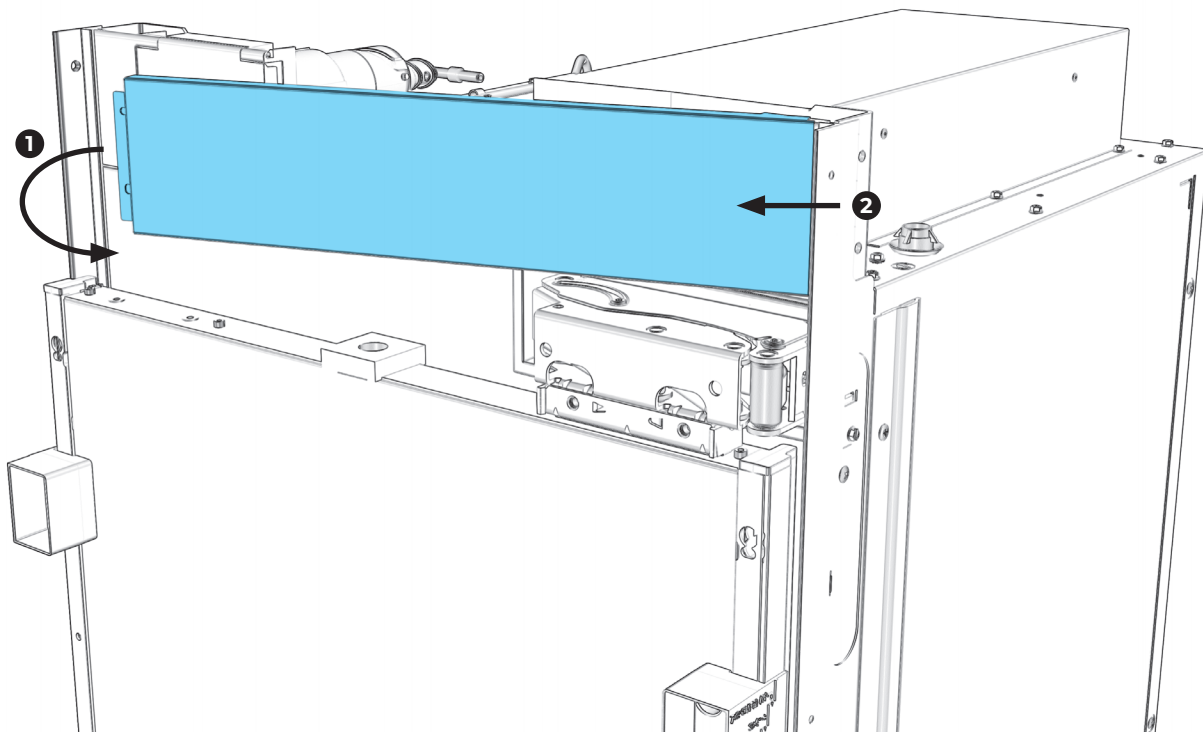
1.3

ENLEVER LES DEUX VIS DU FILTRE À EAU.

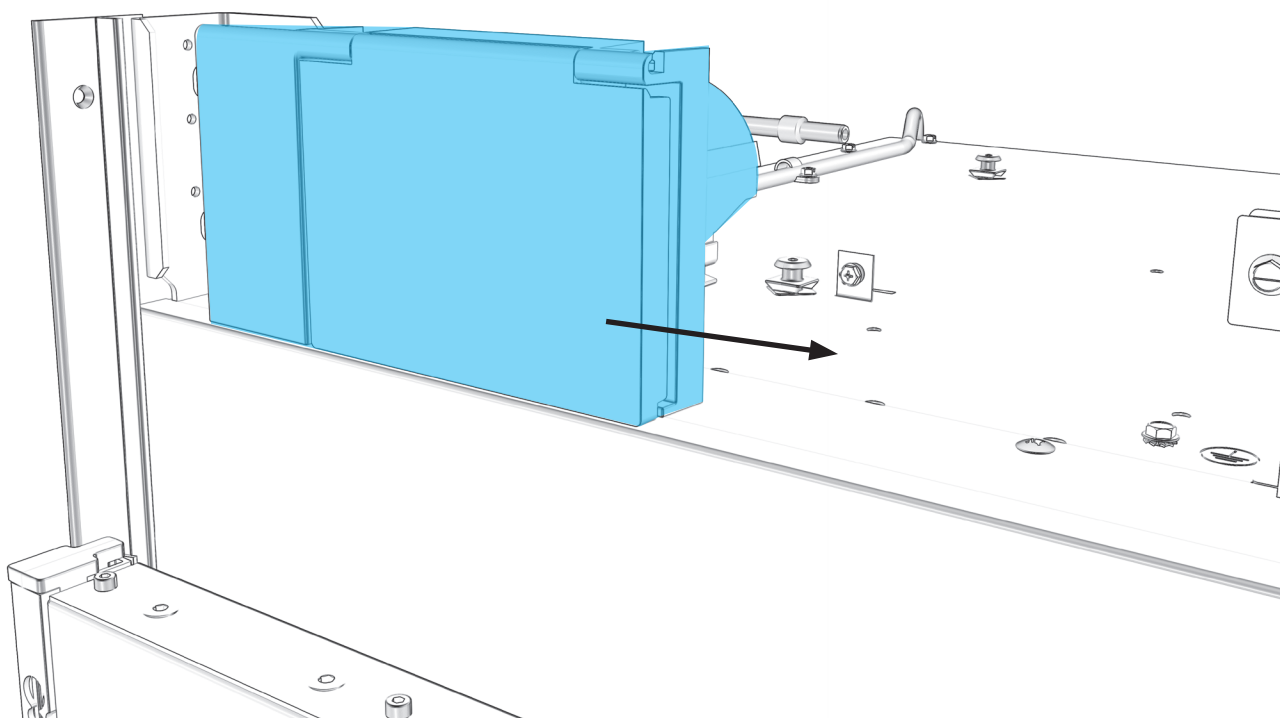


Embout de tournevis de 5 mm

1.4 ENLEVER LA FAÇADE EN TIRANT VERS LA GAUCHE.

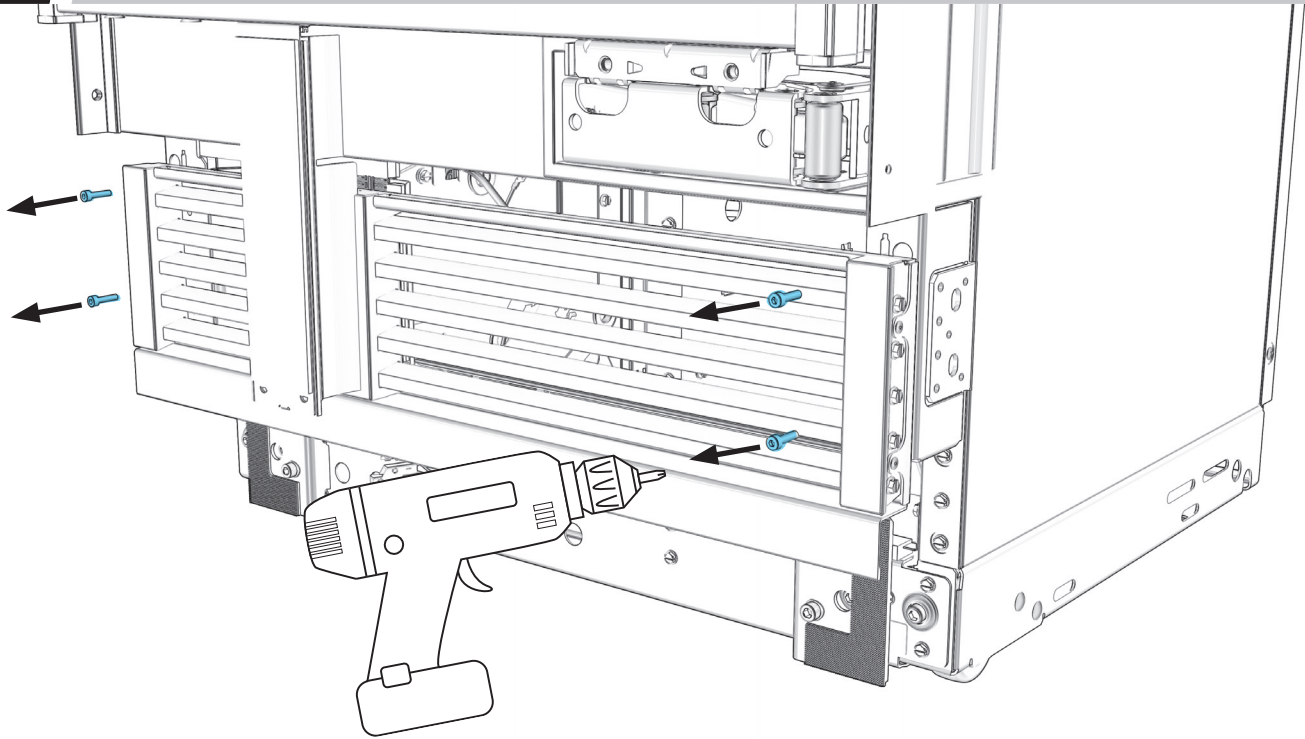


1.5 TIRER AVEC FORCE LE LOGEMENT VERS LA DROITE POUR L'ENLEVER.



1.6

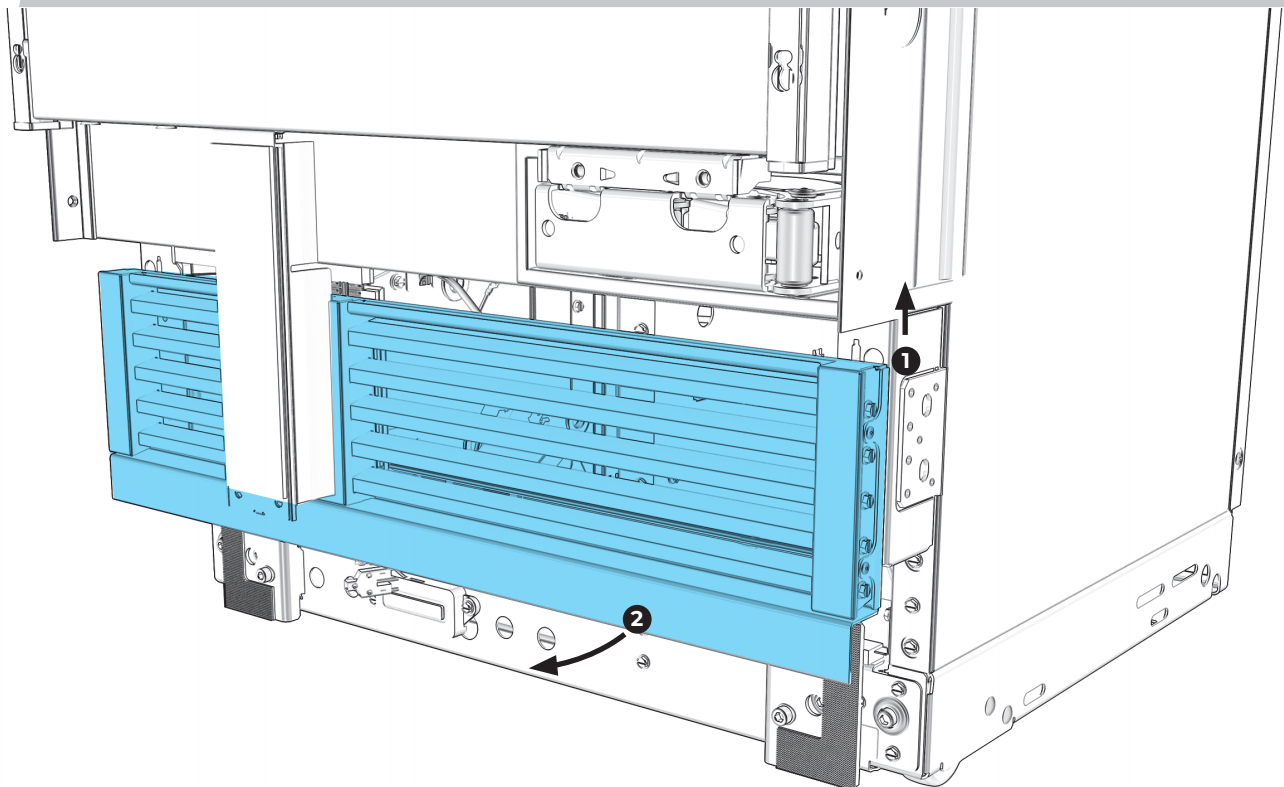
RETIRER LES QUATRE VIS DE LA GRILLE DE VENTILATION.



Embout de tournevis de 5 mm

1.7

ENLEVER LA GRILLE DE VENTILATION DE LA BASE.



PRÉPARATION DU

M E U B L E

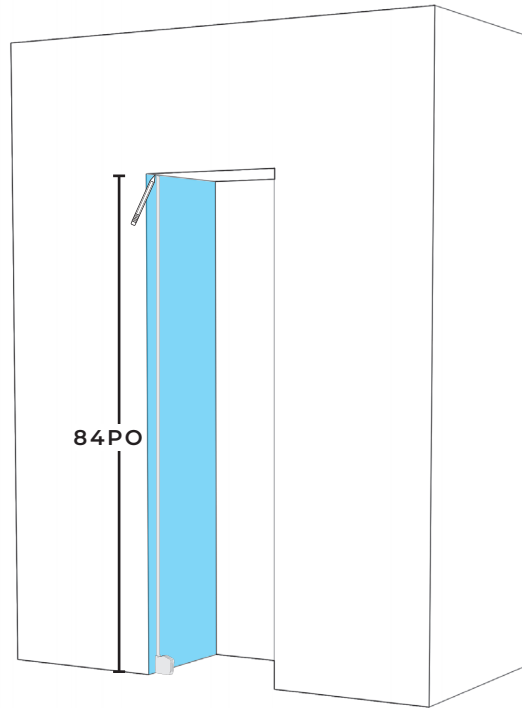


2

PRÉPARATION DU MEUBLE

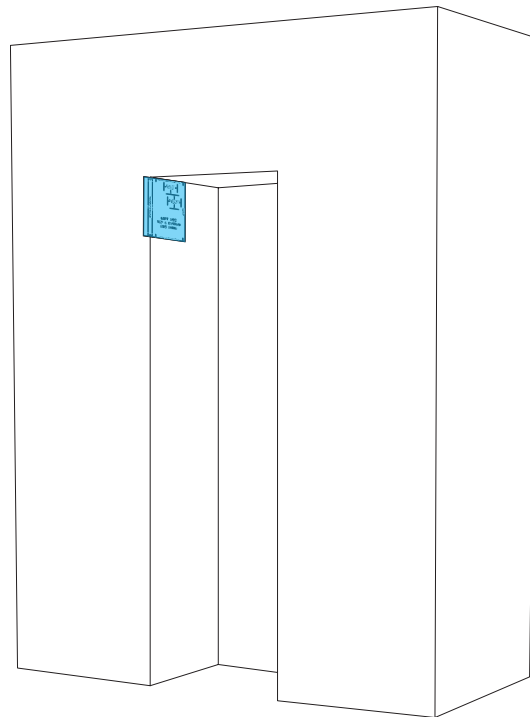
2.1

MESURER ET MARQUER LA LIGNE DU PANNEAU DE GAUCHE.



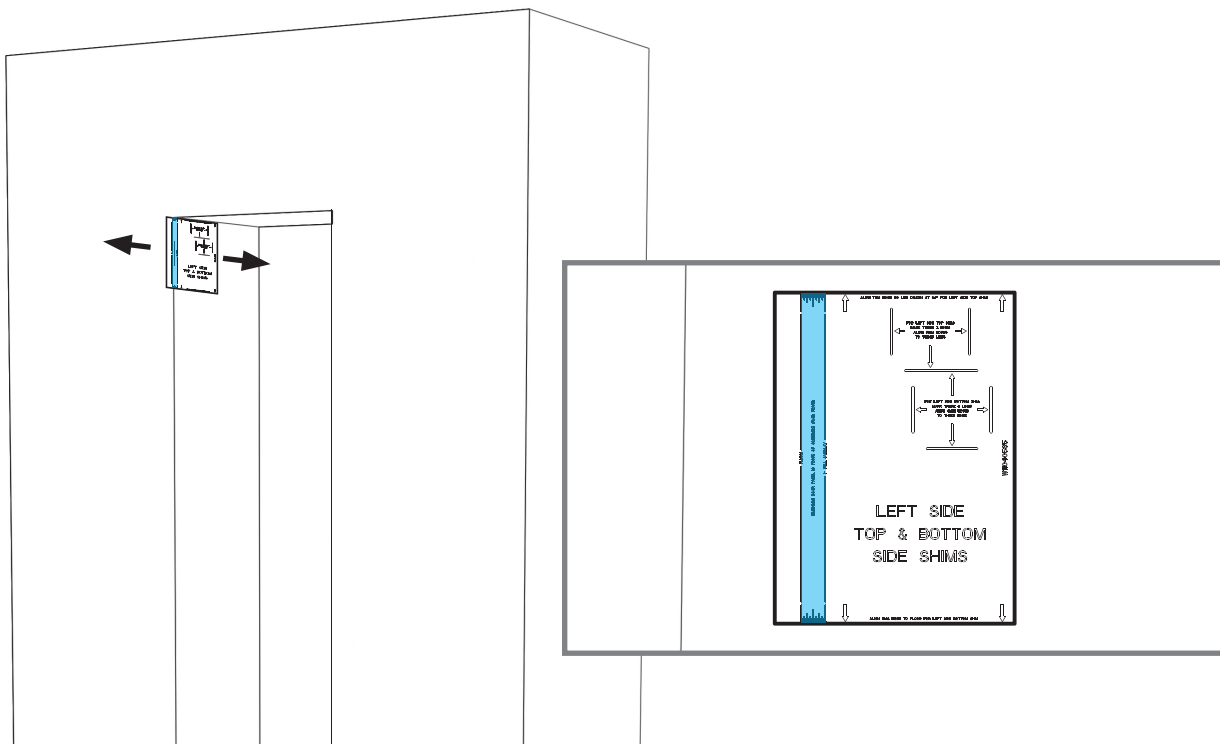
2.2

PLACER LE GABARIT SUR LE PANNEAU DE GAUCHE.



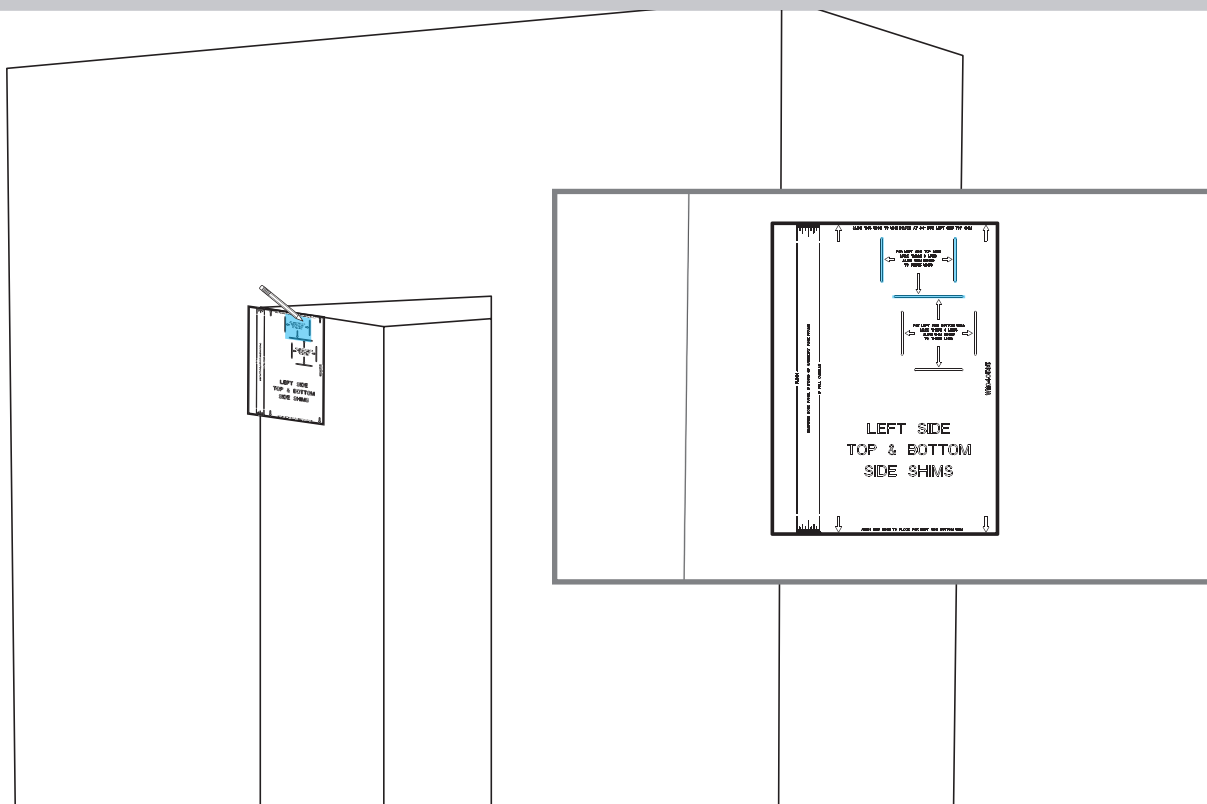
2.3

ALIGNER LA LIGNE DE STYLE DE PORTE AVEC LE DEVANT DE L'ARMOIRE.



2.4

MARQUER LES LIGNES D'ALIGNEMENT DE LA CALE SUPÉRIEURE.

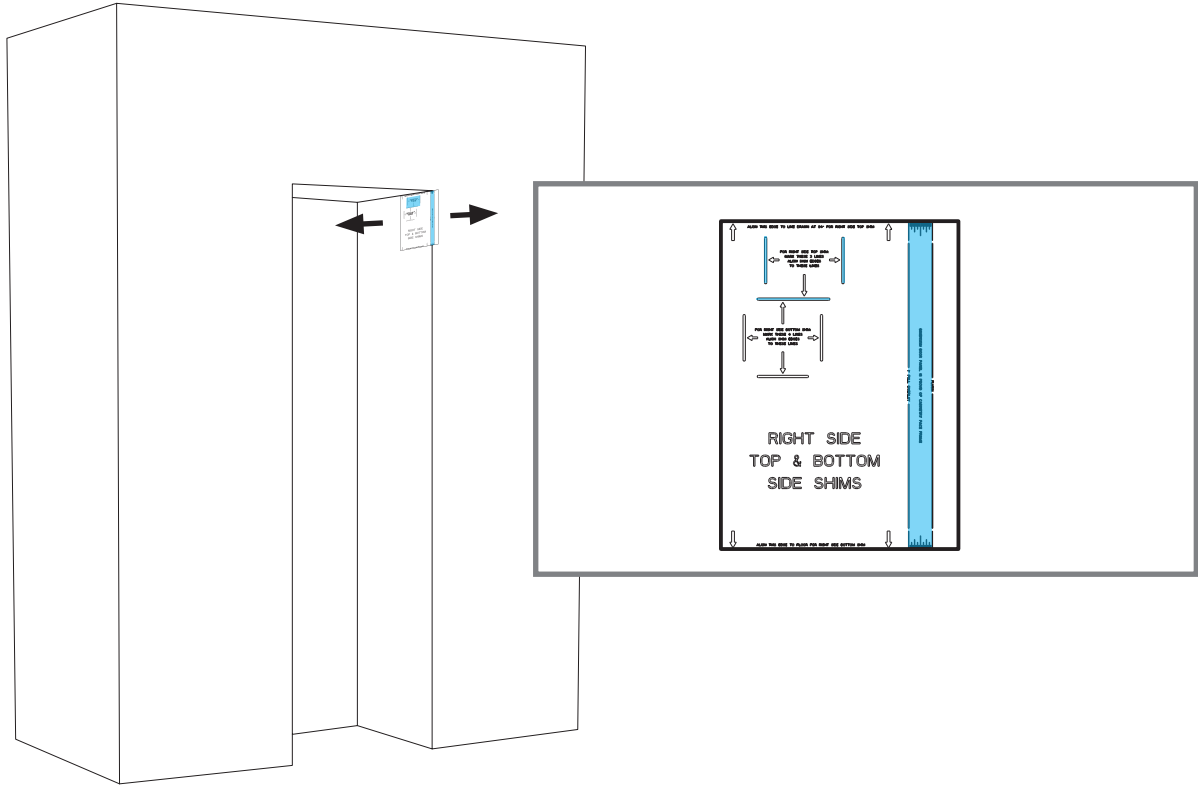


2

PRÉPARATION DU MEUBLE

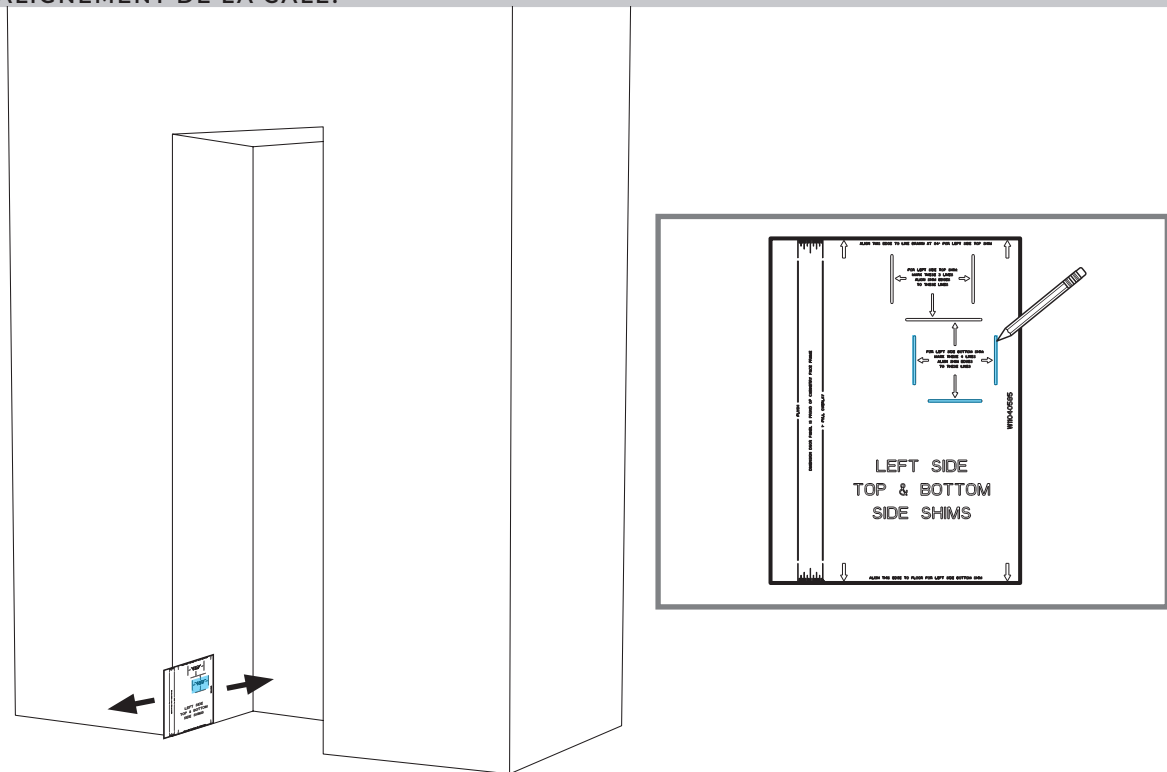
2.5

RÉPÉTER LES ÉTAPES 2,1 À 2,4 POUR LE PANNEAU DE DROITE.



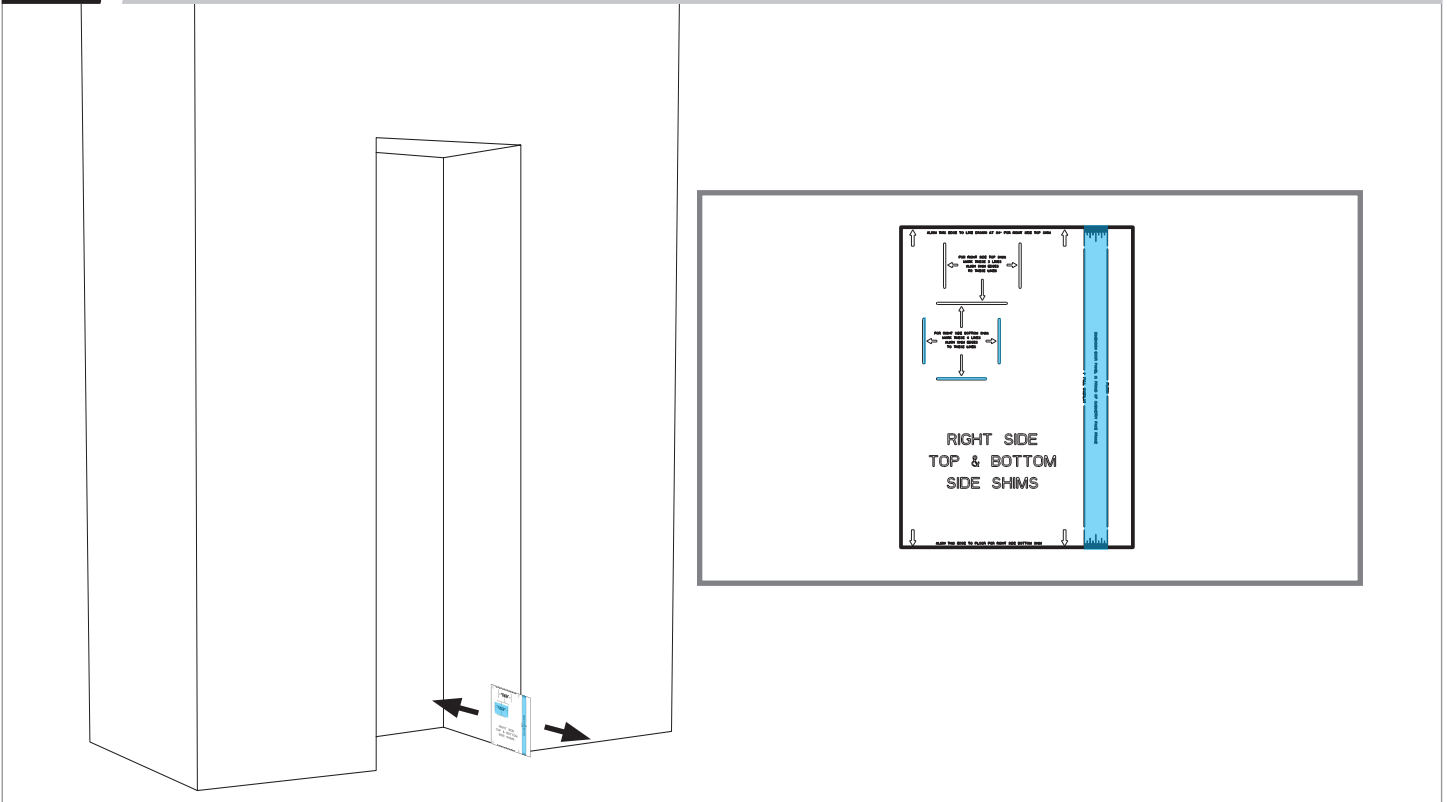
2.6

PLACER ET ALIGNER LE GABARIT SUR LE PANNEAU INFÉRIEUR GAUCHE, MARQUE LES LIGNES D'ALIGNEMENT DE LA CALE.



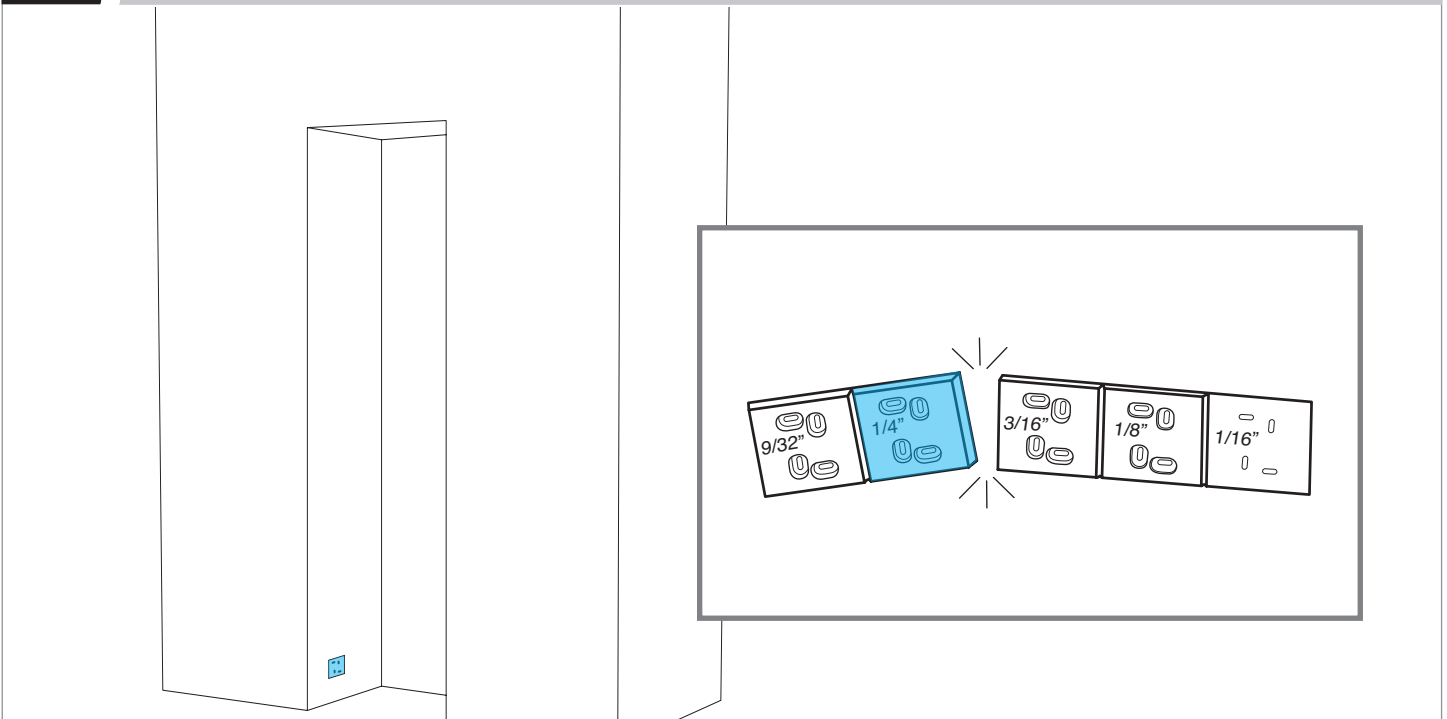
2.7

RÉPÉTER L'ÉTAPE 2,6 POUR LE PANNEAU DE DROITE.



2.8

SÉPARER LES CALES ROTTER ET LES COLLER SUR LES MARQUES DU BAS.



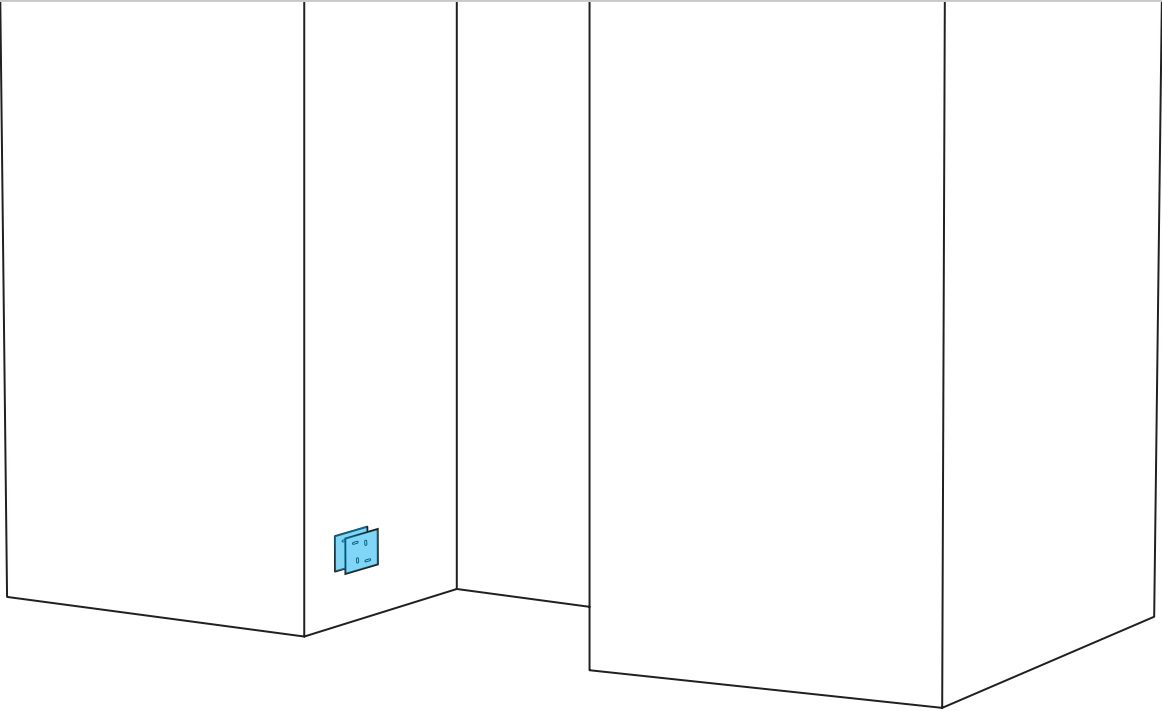
UTILISER AU MOINS UNE CALE DE 1/4 PO DE CHAQUE CÔTÉ

2

PRÉPARATION DU MEUBLE

2.9

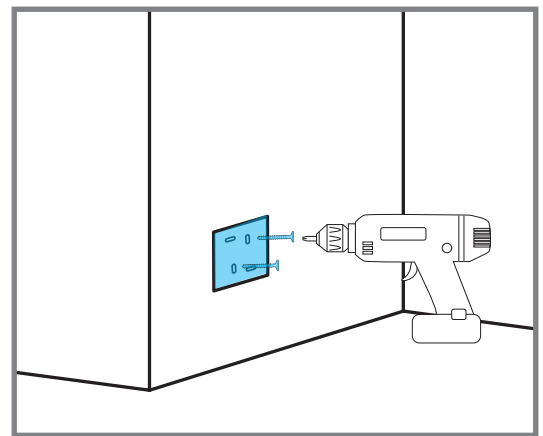
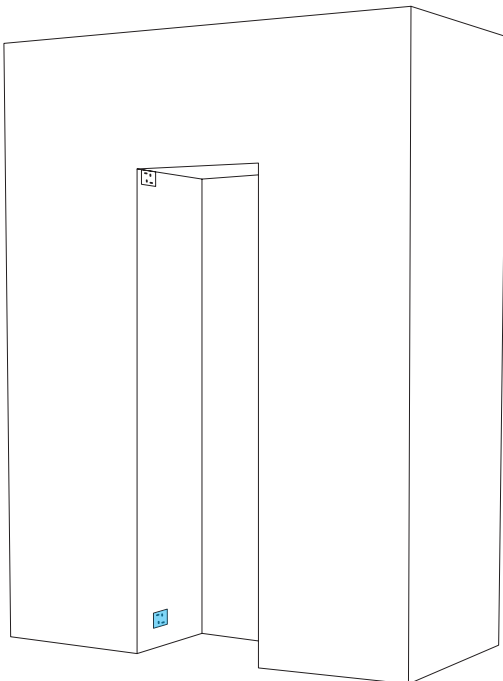
AJOUTER DES CALES AU BESOIN.



CONSULTER L'ÉQUATION DE CALES SUPPLÉMENTAIRE DE L'ANNEXE

2.10

FIXER LES CALES AUX PANNEAUX LATÉRAUX.



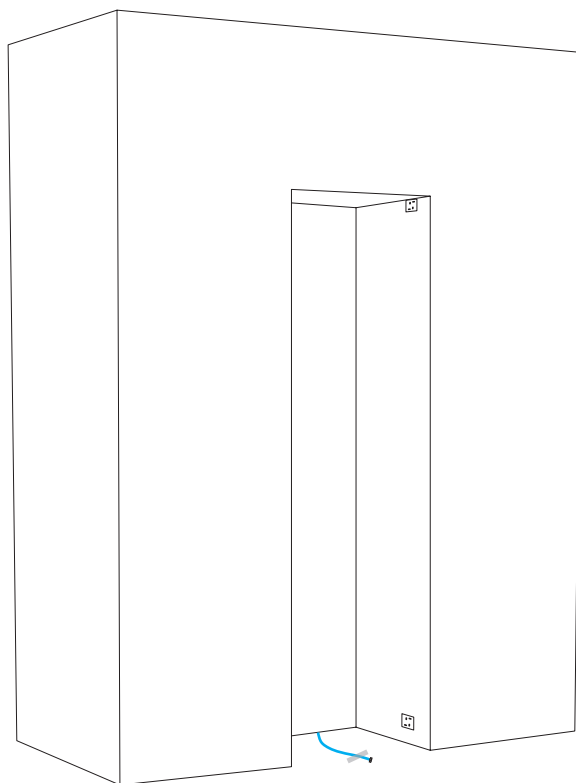
Vis à bois de 1/4 po min.



UTILISER AU MOINS DEUX VIS À BOIS

2.11

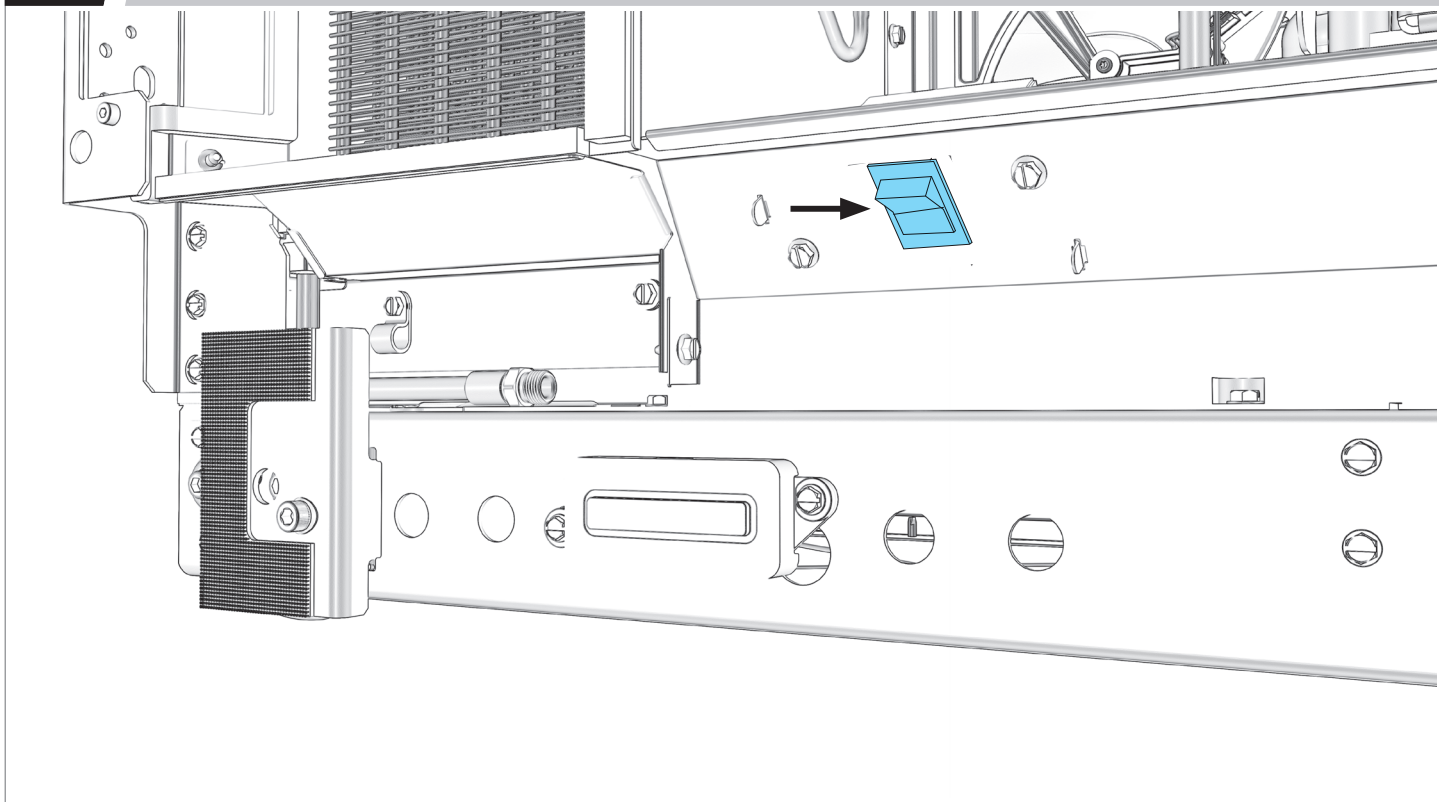
COLLER LE TUYAU D'EAU AU PLANCHER.



INSTALLATION DE
L'APPAREIL.

3.1

ÉTEINDRE L'APPAREIL.



AVANT DE BRANCHER L'APPAREIL, LIRE LES AVERTISSEMENTS.

⚠ AVERTISSEMENT



Risque de choc électrique

Brancher sur une prise à 3 alvéoles reliée à la terre.

Ne pas enlever la broche de liaison à la terre.

Ne pas utiliser un adaptateur.

Ne pas utiliser un câble de rallonge.

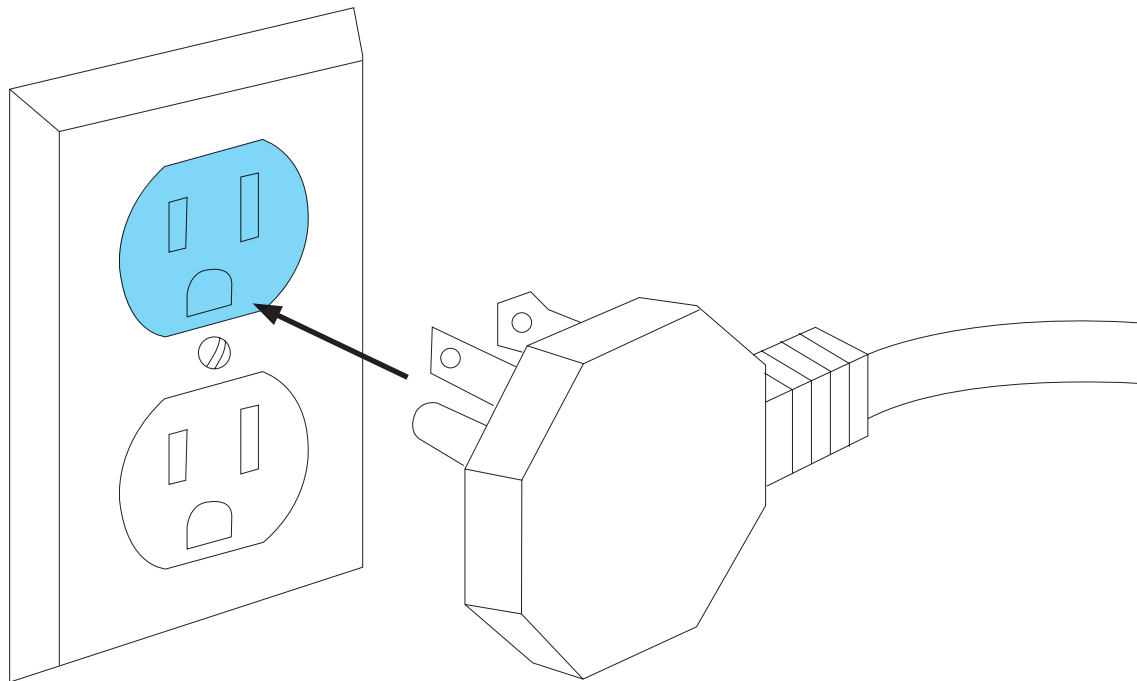
Le non-respect de ces instructions peut causer un décès, un incendie ou un choc électrique.

3

INSTALLATION DE L'APPAREIL

3.2

BRANCHER À UNE PRISE À TROIS ALVÉOLES RELIÉE À LA TERRE.



AVANT DE DÉPLACER L'APPAREIL, LIRE LES AVERTISSEMENTS.

⚠ AVERTISSEMENT



Risque de basculement

Le réfrigérateur est lourd au sommet et bascule facilement lorsqu'il n'est pas complètement installé.

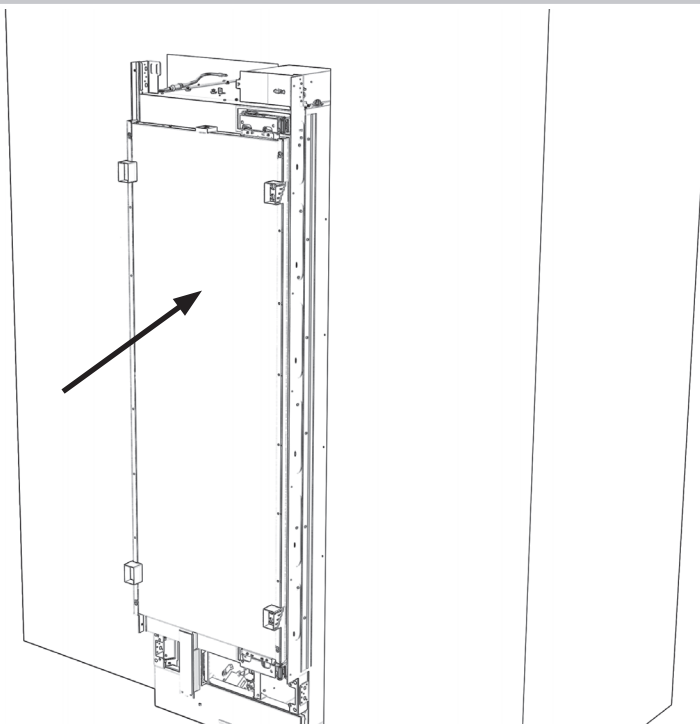
Garder les portes fermées avec un ruban adhésif jusqu'à l'installation complète du réfrigérateur.

Utiliser deux ou plus de personnes pour déplacer et installer le réfrigérateur.

Le non-respect de ces instructions peut causer un décès ou une blessure grave.

3.3

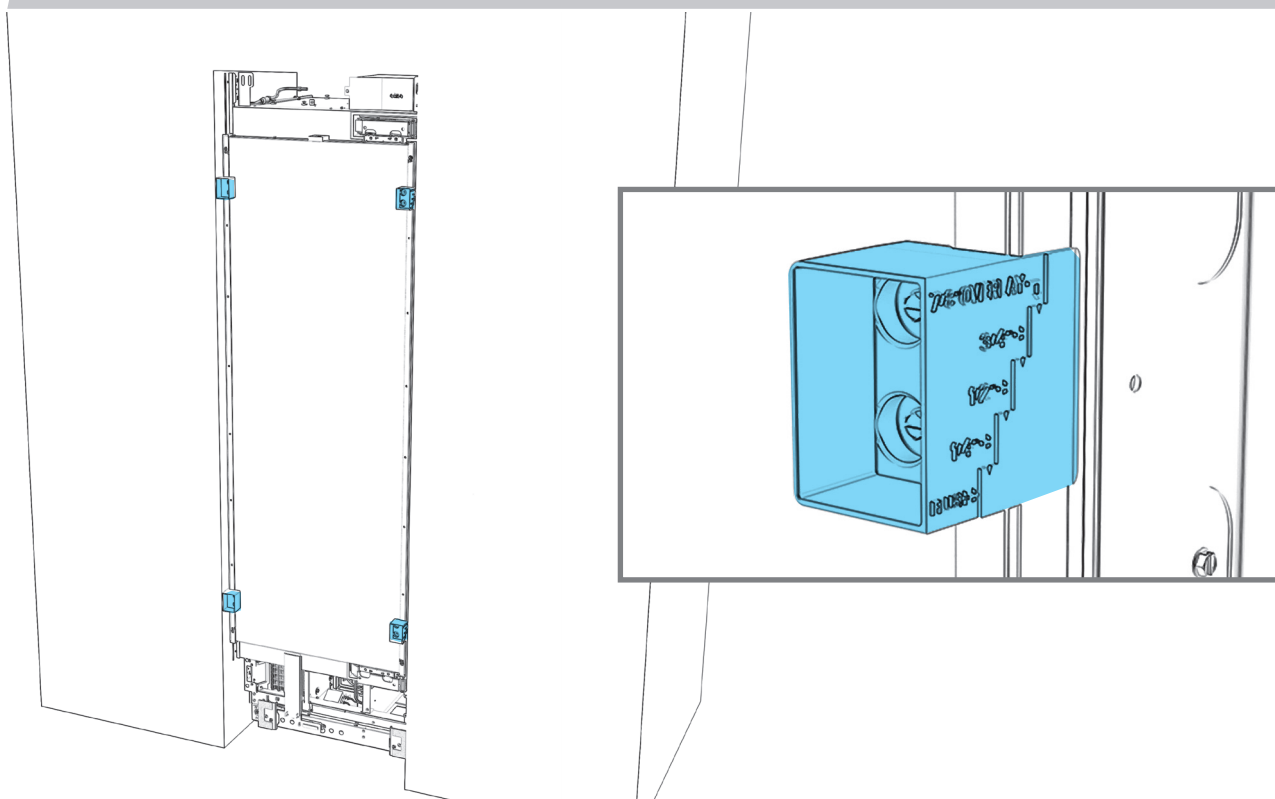
PLACER L'APPAREIL DANS L'OUVERTURE.



NE PAS ENDOMMAGER LE TUYAU D'EAU

3.4

UTILISER LES GABARITS DE PROFONDEUR POUR ALIGNER.

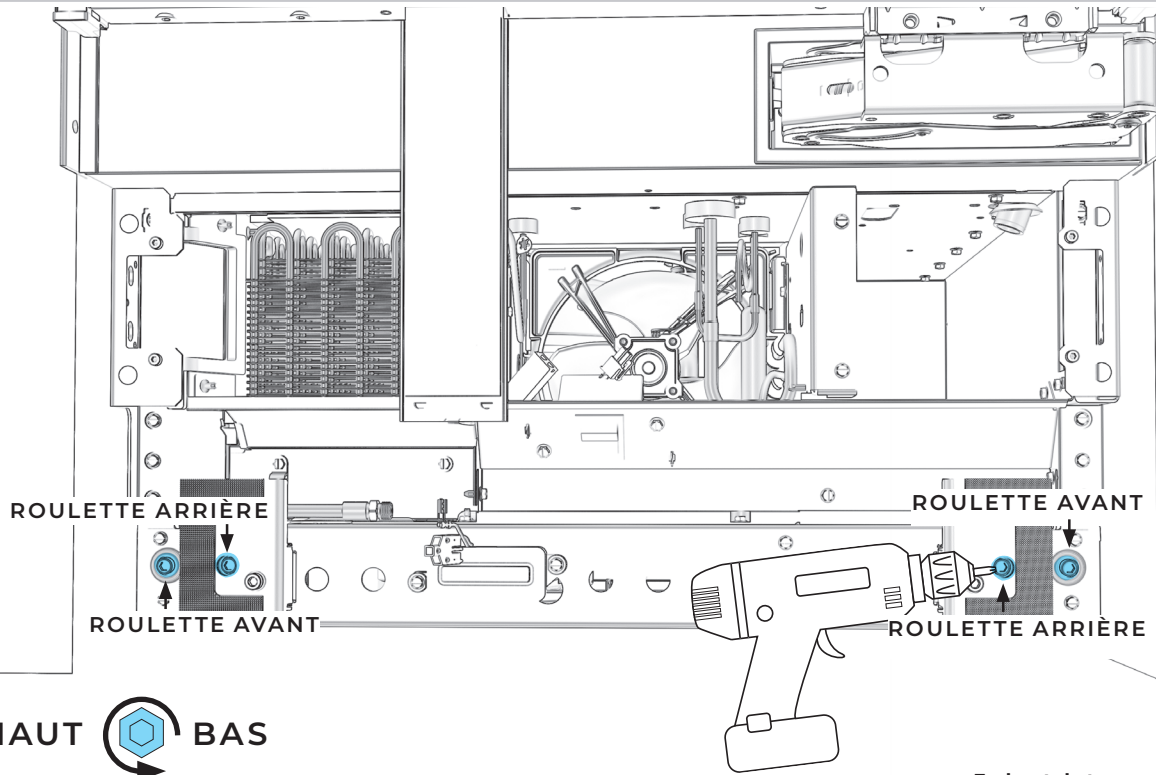


3

INSTALLATION DE L'APPAREIL

3.5

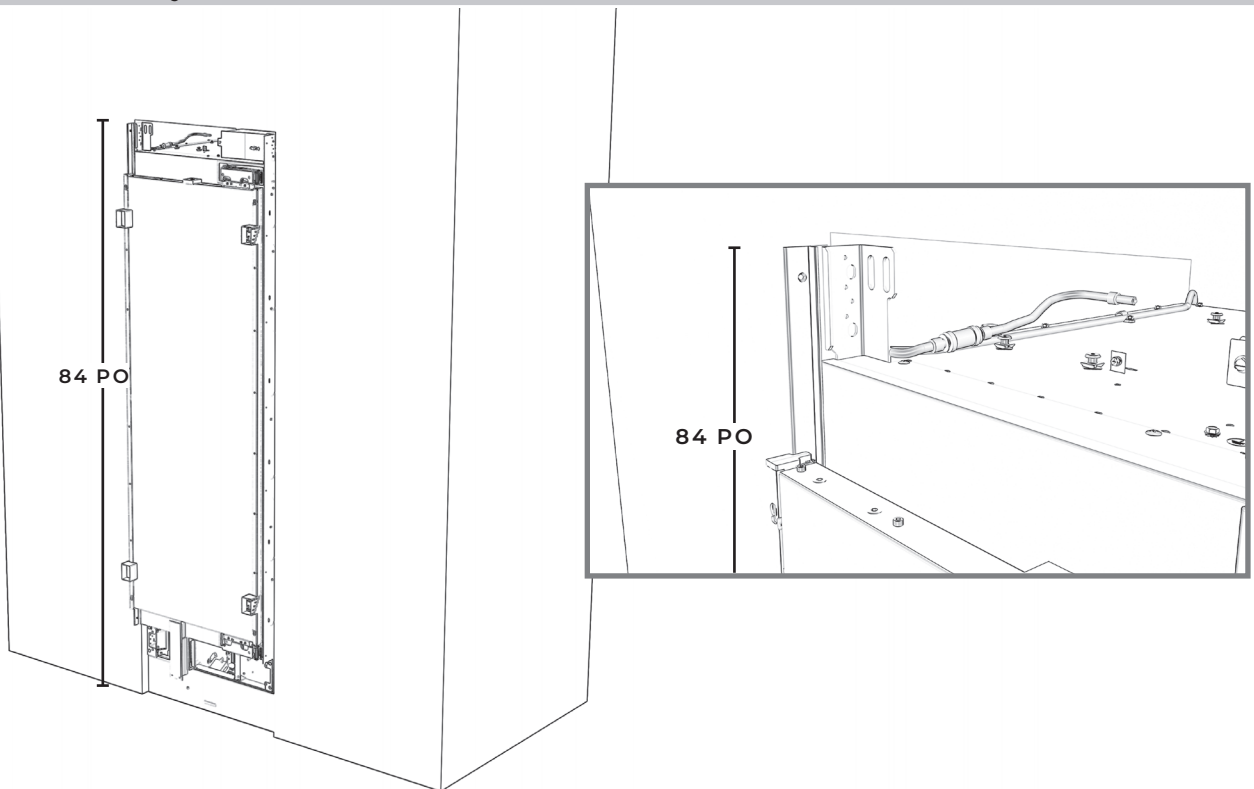
DÉPLOYER LES ROULETTES DE MISE AU NIVEAU INDIVIDUELLEMENT.



Embout de tournevis de 5 mm

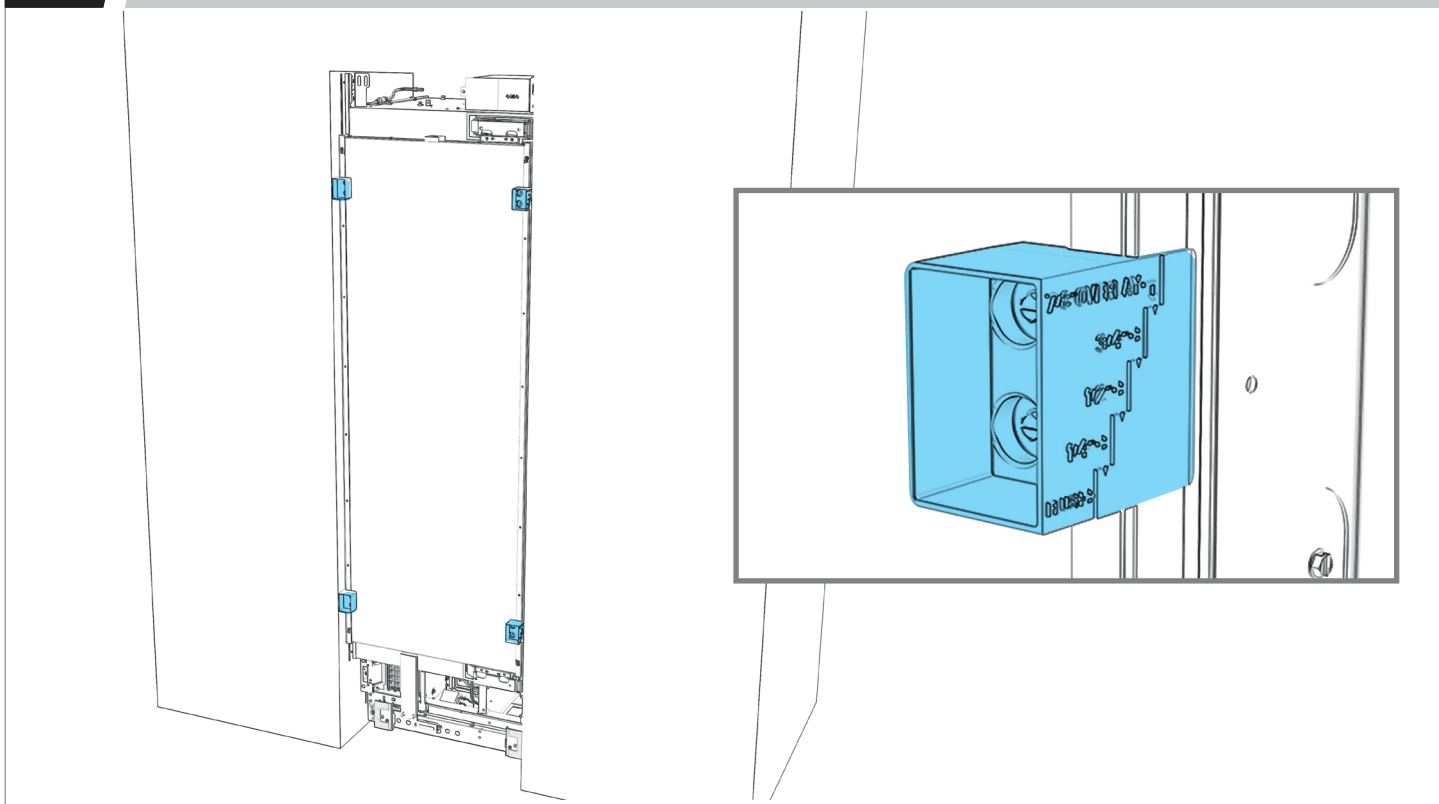
3.6

S'ASSURER QUE LES SUPPORTS D'INSTALLATION SONT ALIGNÉS AVEC LA LIGNE DE 84 PO.



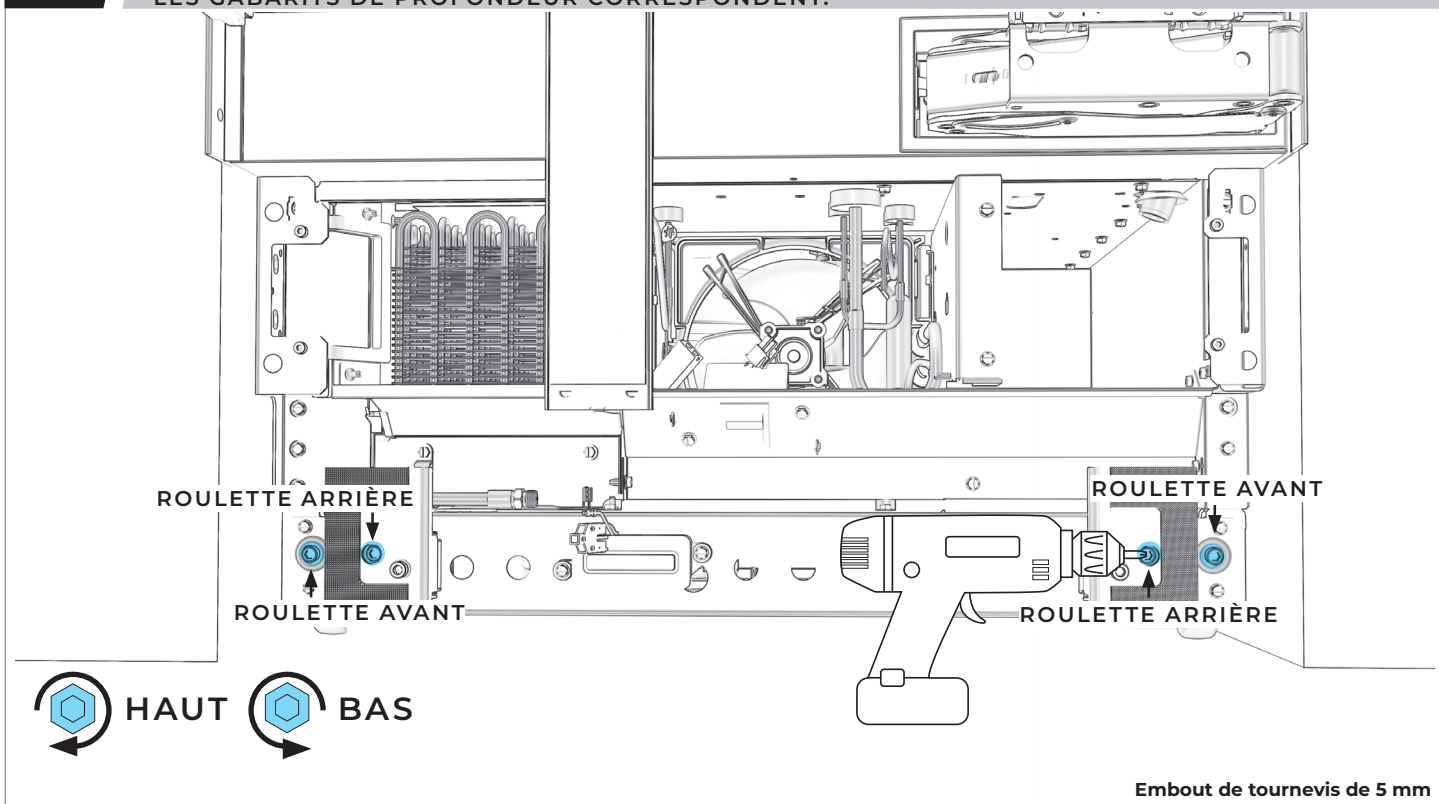
3.7

VÉRIFIER QUE LES GABARITS DE PROFONDEUR INDICENT LA MÊME PROFONDEUR.



3.8

DÉPLOYER LES ROULETTES DE MISE AU NIVEAU INDIVIDUELLEMENT, JUSQU'À CE QUE LES GABARITS DE PROFONDEUR CORRESPONDENT.

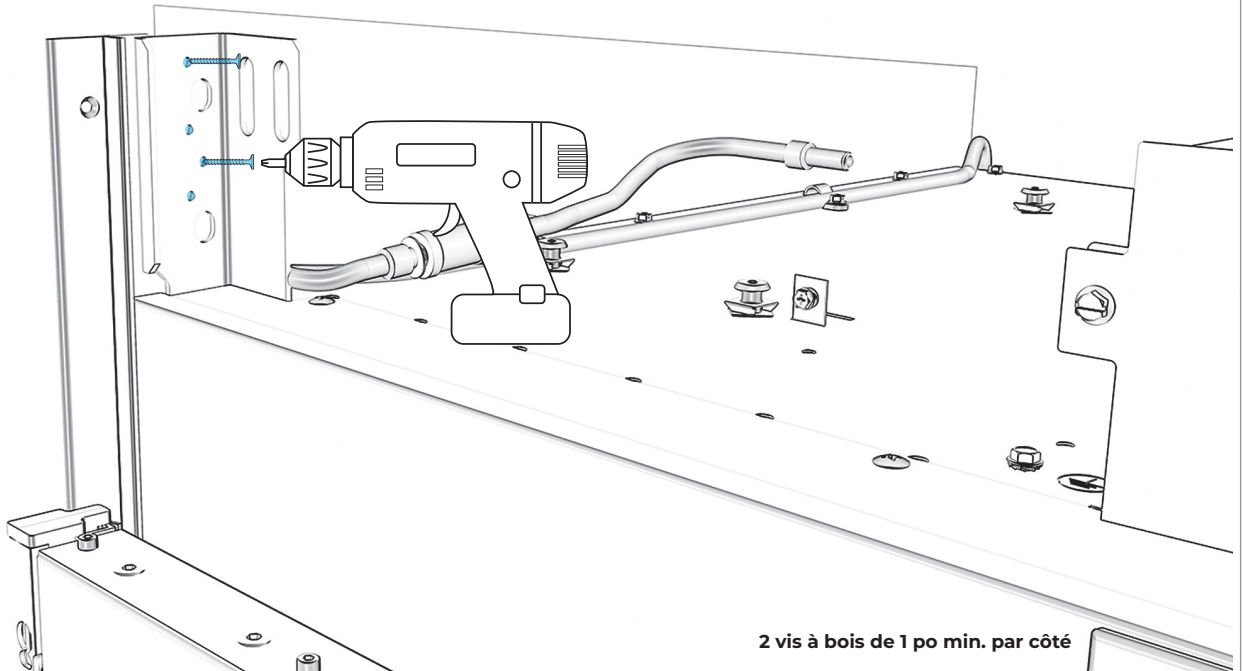


3

INSTALLATION DE L'APPAREIL

3.9

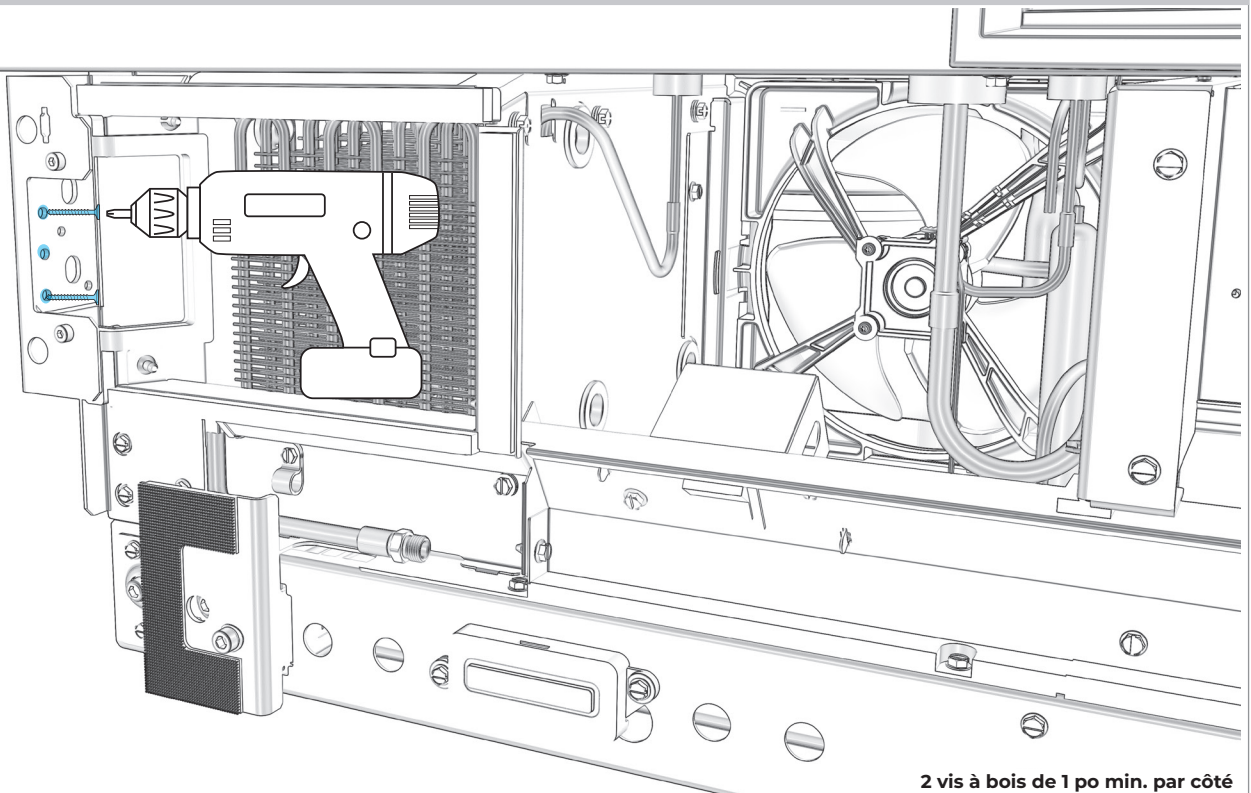
FIXER L'APPAREIL À CHACUN DES PANNEAUX LATÉRAUX.



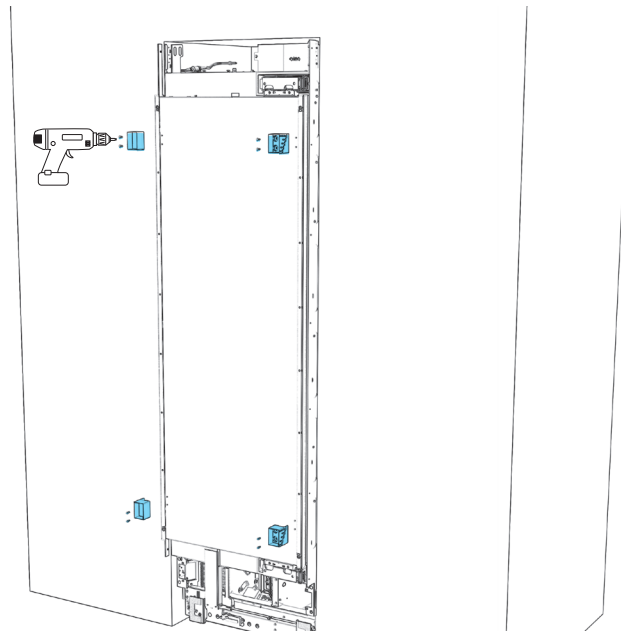
UTILISER DES VIS À BOIS D'UNE LONGUEUR APPROPRIÉE

3.10

RÉPÉTER POUR LE SUPPORT INFÉRIEUR.



3.11 ENLEVER ET JETER LES GABARITS DE PROFONDEUR.

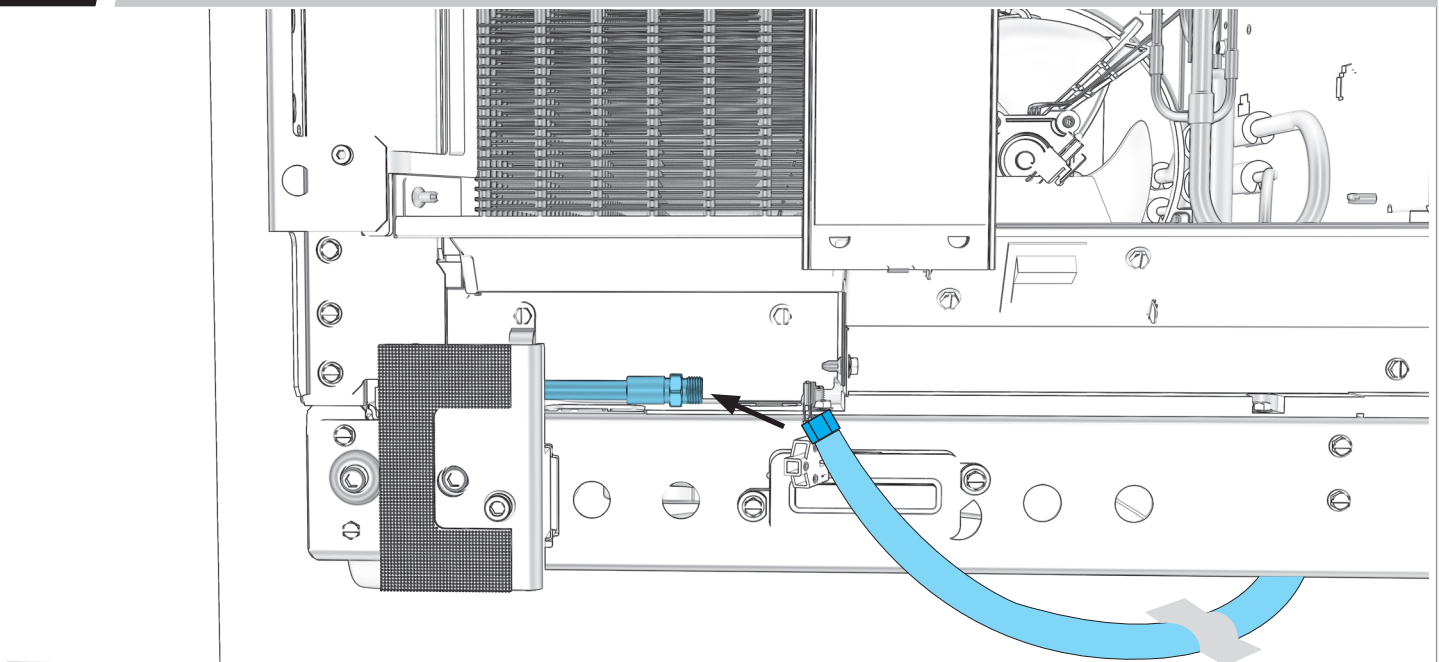


Embout de 1/4 po



IMPORTANT : AFIN D'ÉVITER TOUT DANGER, S'ASSURER QUE LA COLONNE EST ENLEVÉE AVANT D'ENTREPRENDRE LA PROCHAINE ÉTAPE ET RACCORDER LA CANALISATION D'EAU.

3.12 RACCORDER LE TUYAU D'ARRIVÉE D'EAU.



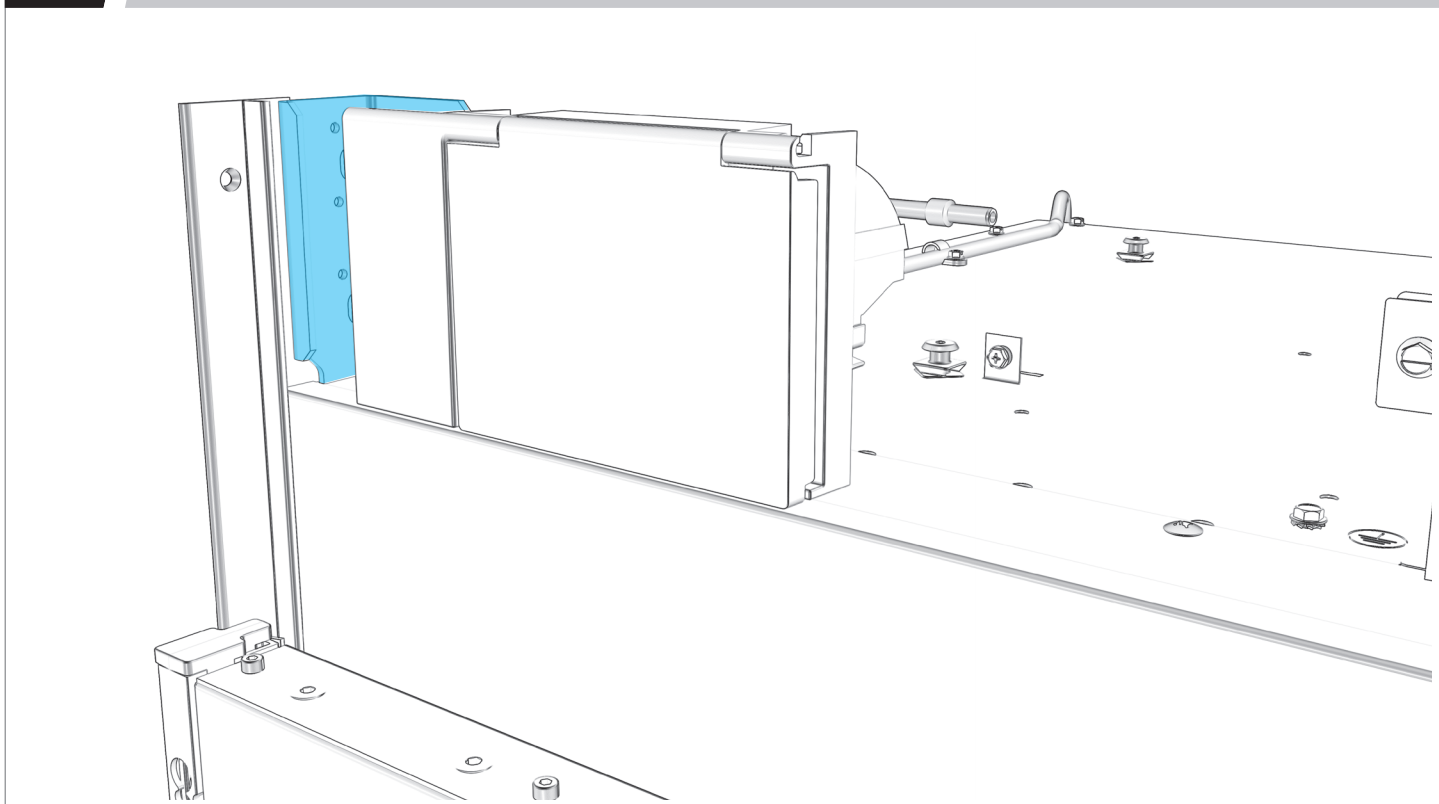
LA PORTE PEUT ÊTRE OUVERTE À PARTIR DE CE MOMENT



PRÉPARATION DE LA
PLANCHÉ
DE L'APPAREIL

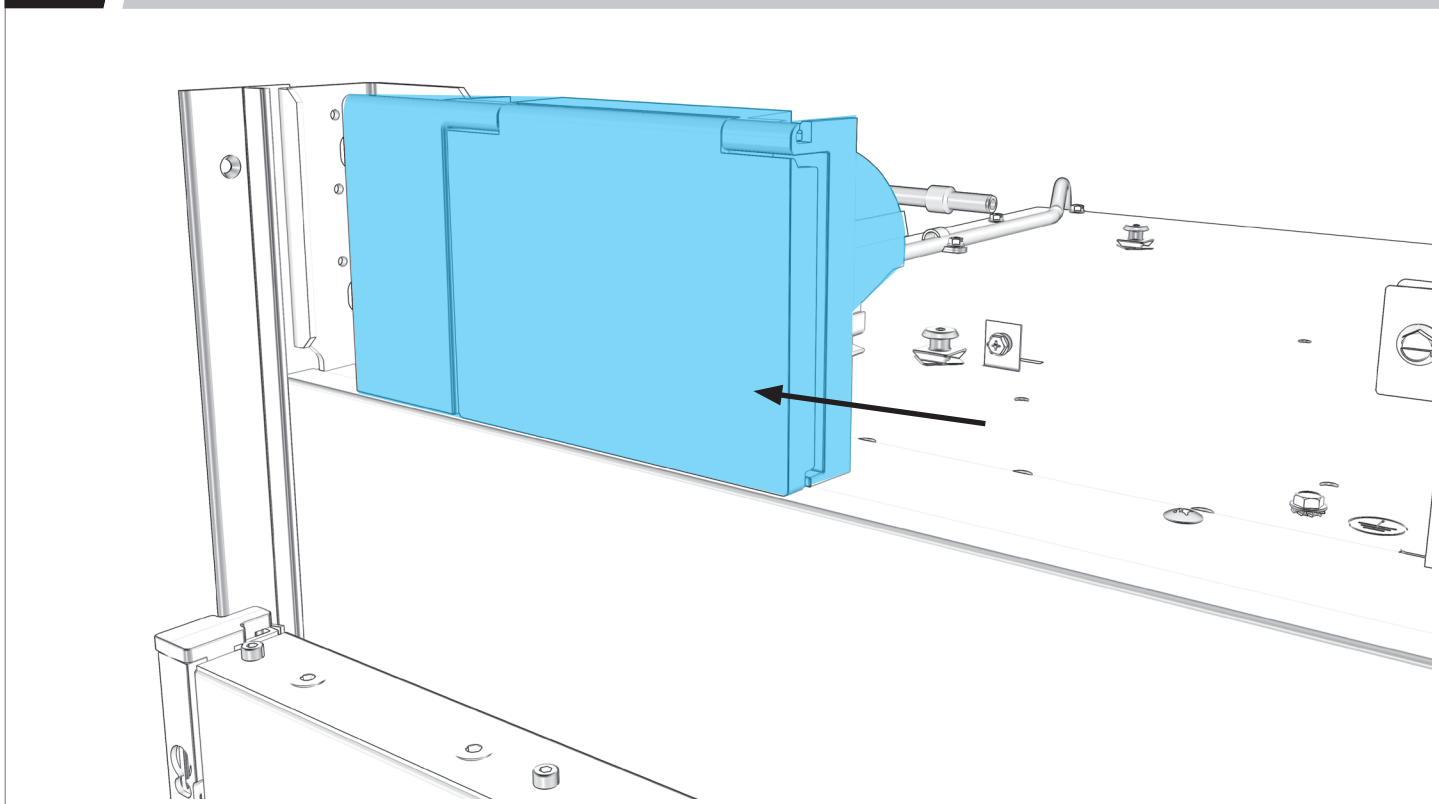
4.1

ALIGNER LE LOGEMENT DU FILTRE ENTRE LES SUPPORTS, AU HAUT DE L'APPAREIL.



4.2

REPLACER LE LOGEMENT EN POUSSANT AVEC FORCE VERS LA GAUCHE.

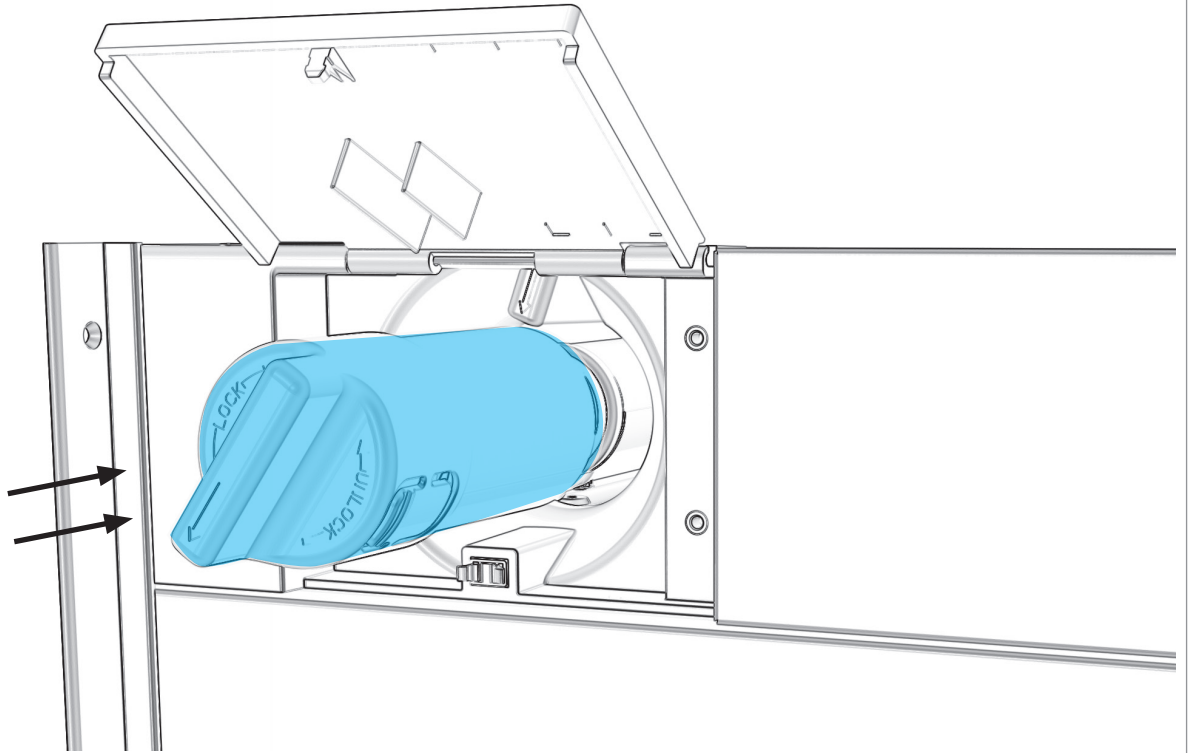


4

PRÉPARATION DE LA PLINTE DE L'APPAREIL

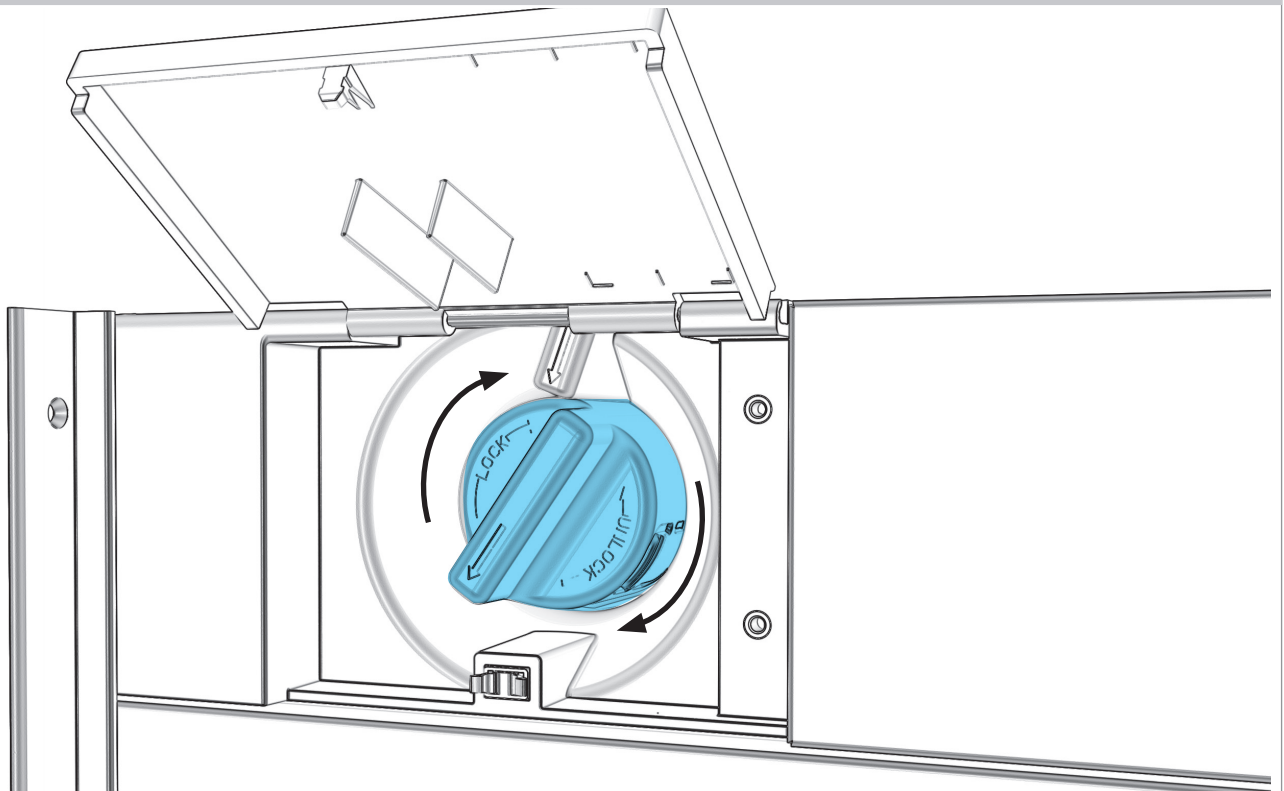
4.3

INSÉRER LE FILTRE À EAU JUSQU'À CE QU'IL SOIT BIEN PLACÉ.



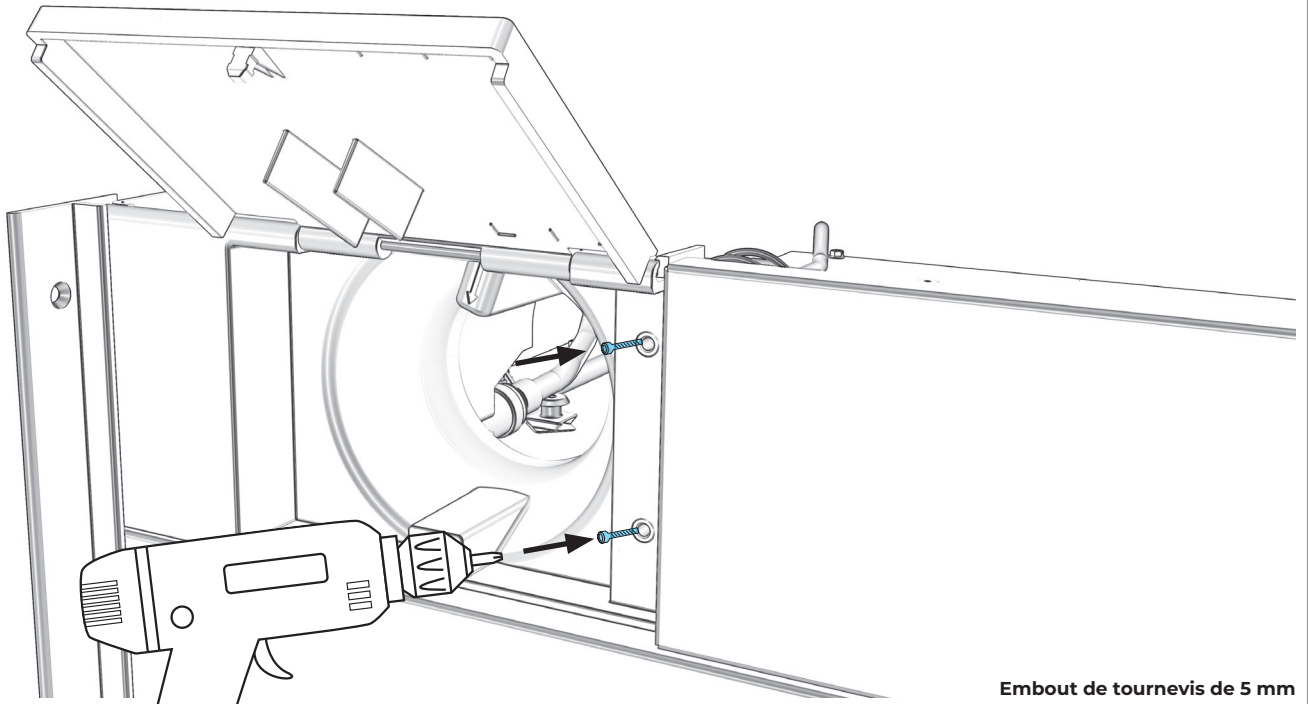
4.4

FAIRE TOURNER LE FILTRE DANS LE SENS HORAIRE POUR ALIGNER LES FLÈCHES.



4.5

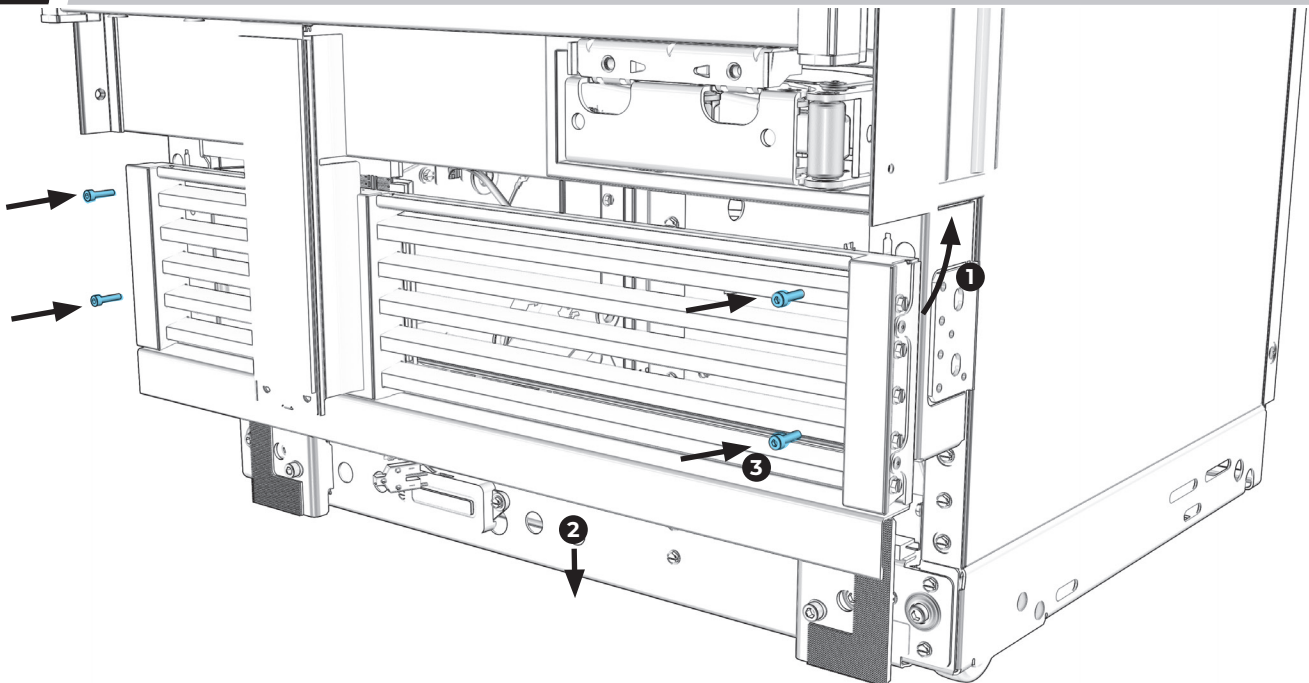
RÉINSTALLER LE COUVERCLE DU HAUT ET LE FIXER À L'AIDE DE DEUX VIS.



Embout de tournevis de 5 mm

4.6

RÉINSTALLER LA GRILLE DE VENTILATION.



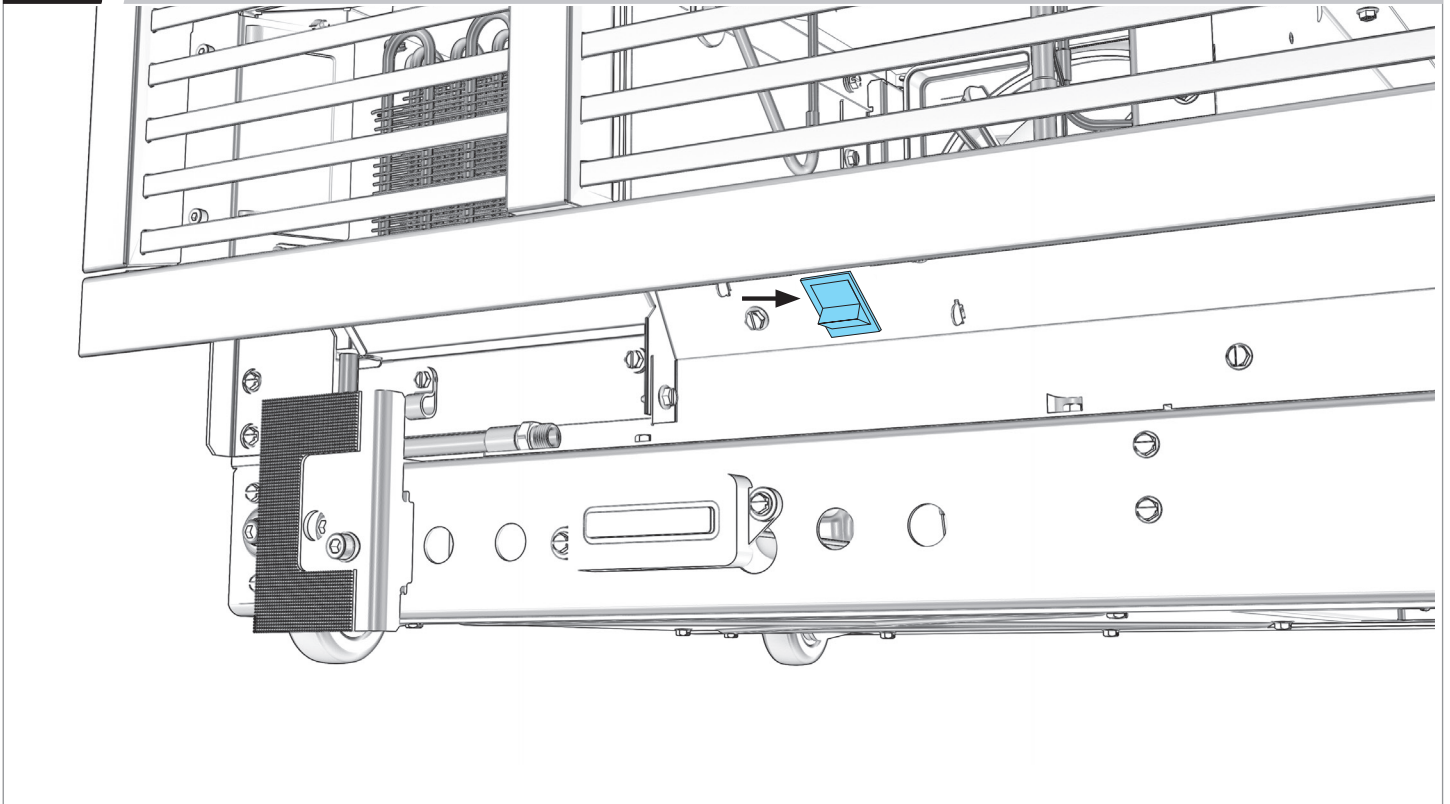
Embout de tournevis de 5 mm

4

PRÉPARATION DE LA PLINTE DE L'APPAREIL

4.7

METTRE L'APPAREIL SOUS TENSION.



VÉRIFICATION DE L'INSTALLATION

PG.116 PRÉPARATION DE LA PLINTHE
EN BOIS PERSONNALISÉE

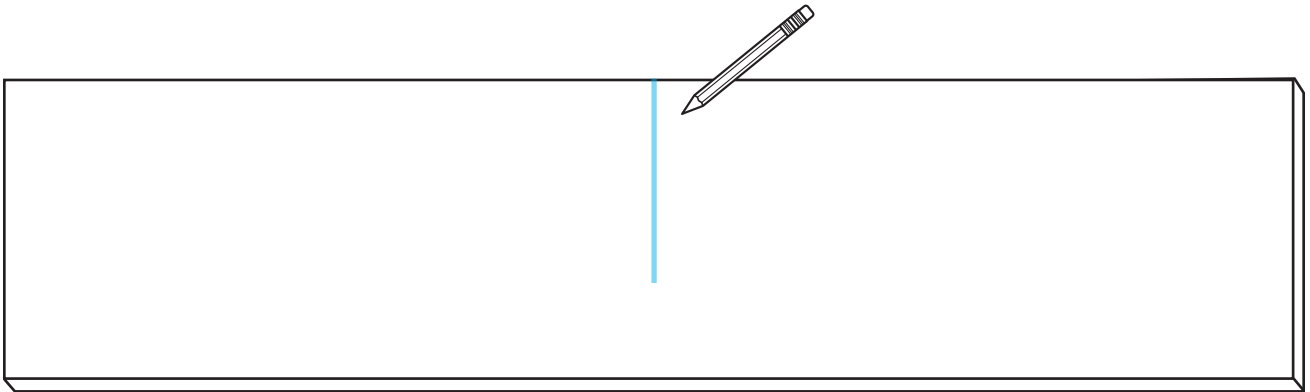
PG.120 PRÉPARATION DE LA PLINTHE
EN ACIER INOXYDABLE

PG.123 ALIGNER ET INSTALLER LA PLINTHE

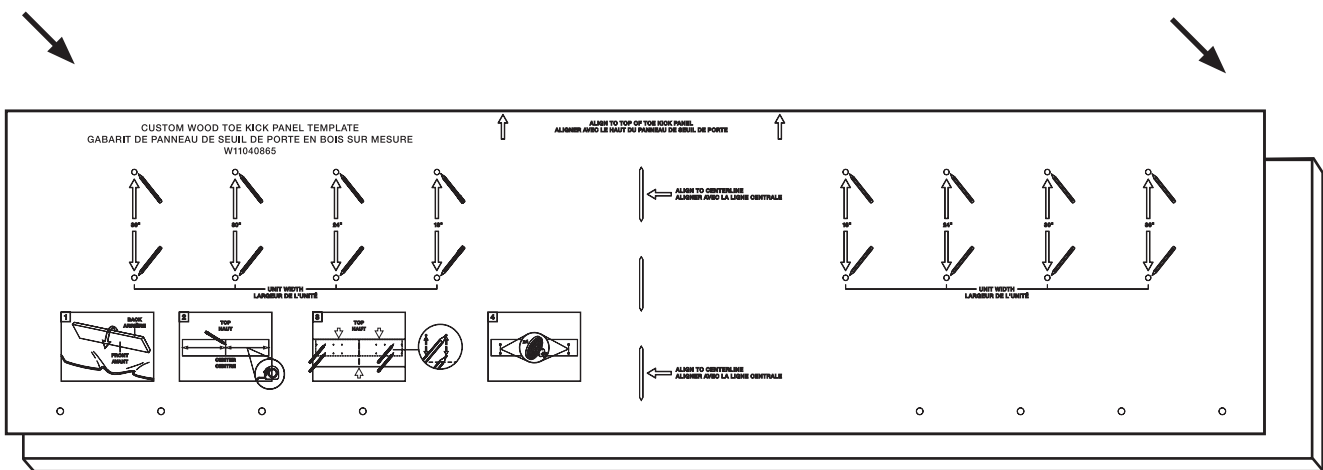


PRÉPARATION DE LA
P L I N T H E
EN BOIS PERSONNALISÉ

5.1 MESURER ET MARQUER LA LIGNE CENTRALE DE LA PLINTHE.



5.2 GABARIT D'ALIGNEMENT.

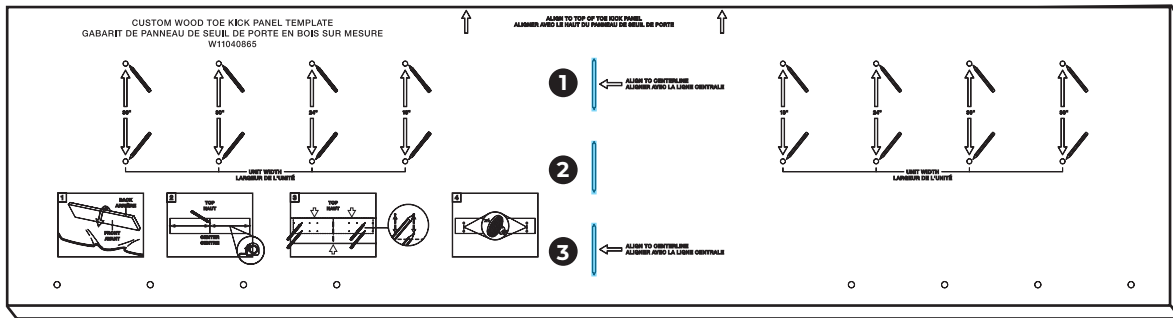


5

PRÉPARATION DE LA PLINTHE EN BOIS PERSONNALISÉE

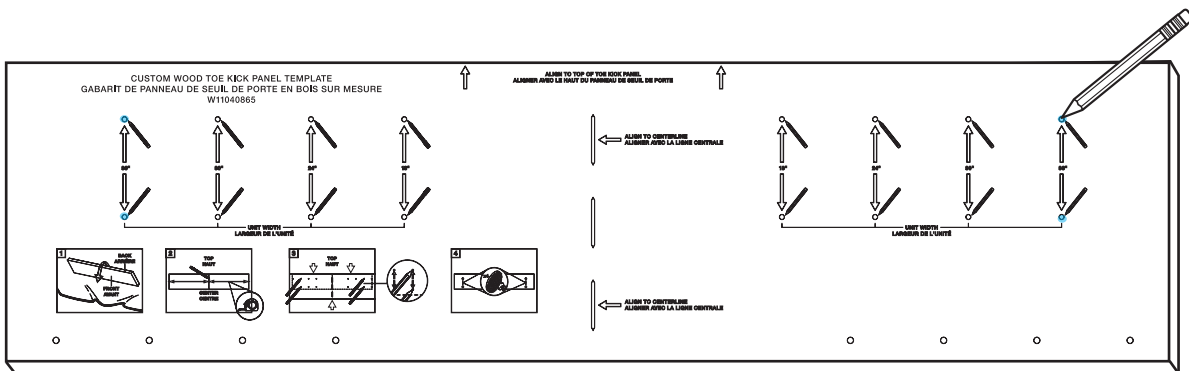
5.3

ALIGNER LE GABARIT AVEC LA LIGNE CENTRALE.



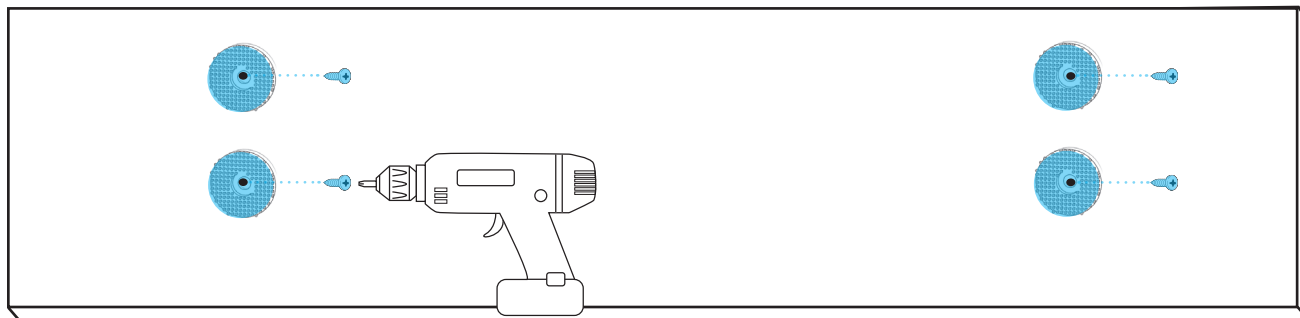
5.4

MARQUER LES EMPLACEMENTS DE COUSSINS DE PRISE.



5.5

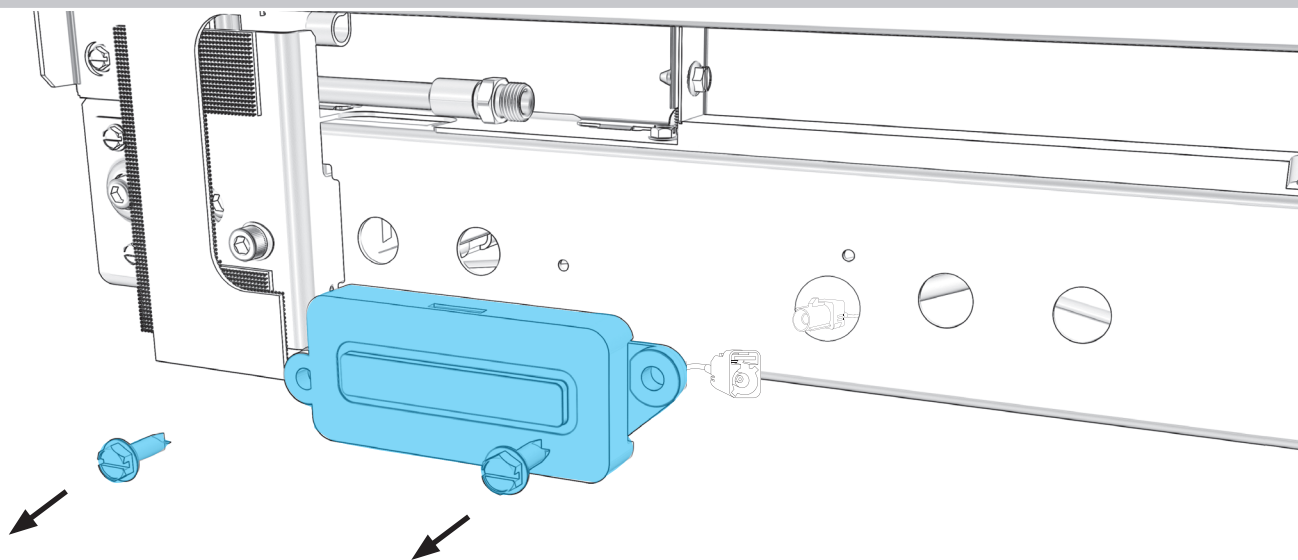
FIXER LES COUSSINS DE PRISE AUX POINTS.



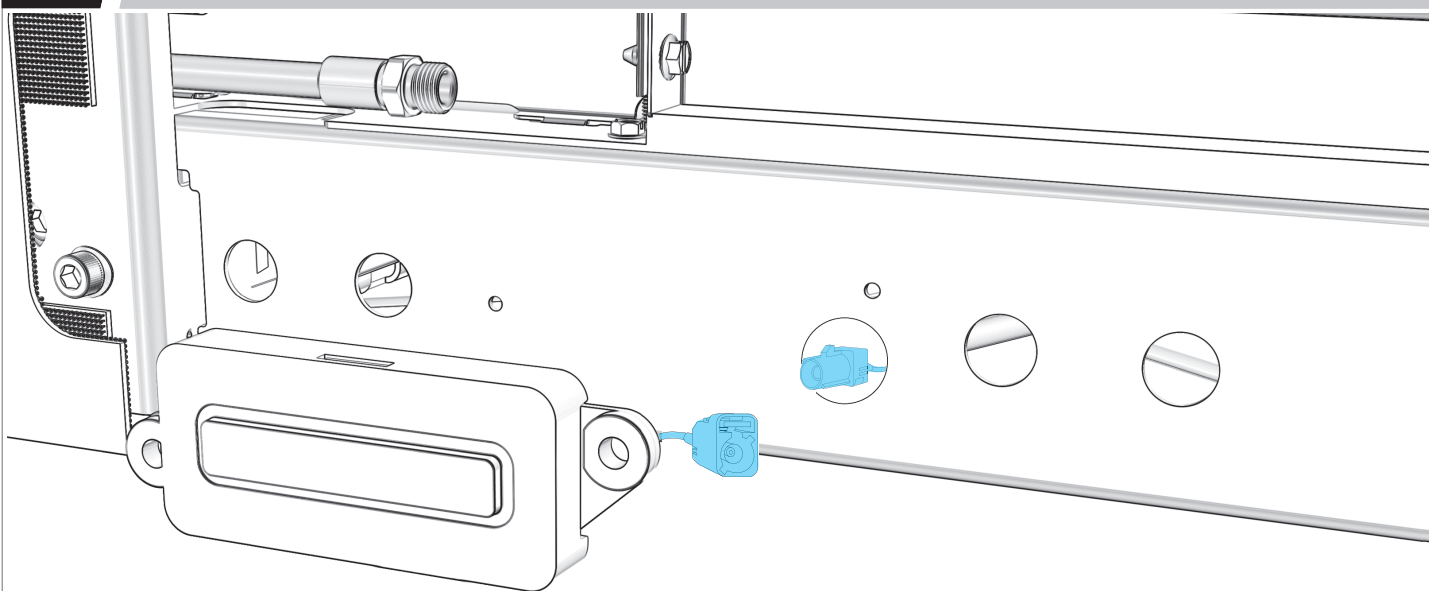


PRÉPARATION DE LA
P L I N G H E
EN ACIER INOXYDABLE

6.1 DÉVISSER ET JETER LE HARNAIS WI-FI.



6.2 DÉBRANCHER LE FIL WI-FI BLEU DU HARNAIS.

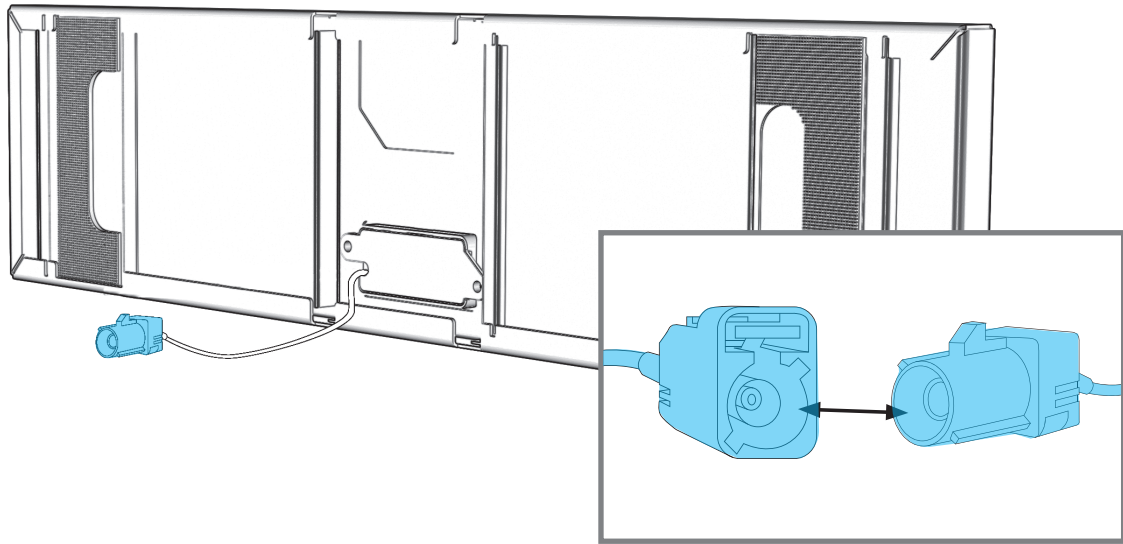


6

PRÉPARATION DE LA PLINTHE EN ACIER INOXYDABLE

6.3

BRANCHER LES FILS BLEUS DE LA PLINTHE ET DE L'APPAREIL.





ALIGNEMENT ET INSTALLATION DE LA

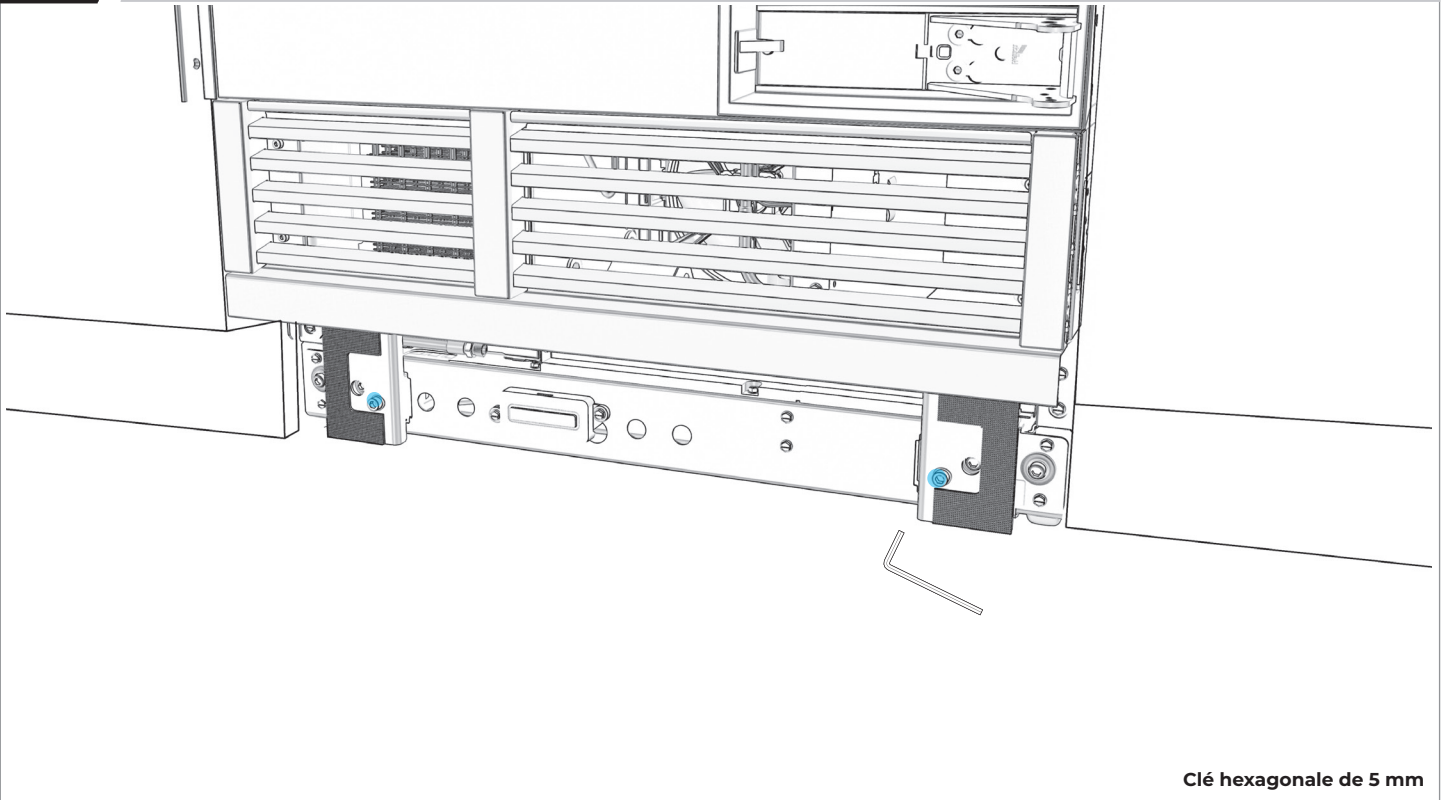
PLINTE

7

ALIGNEMENT ET INSTALLATION DE LA PLINTHE

7.1

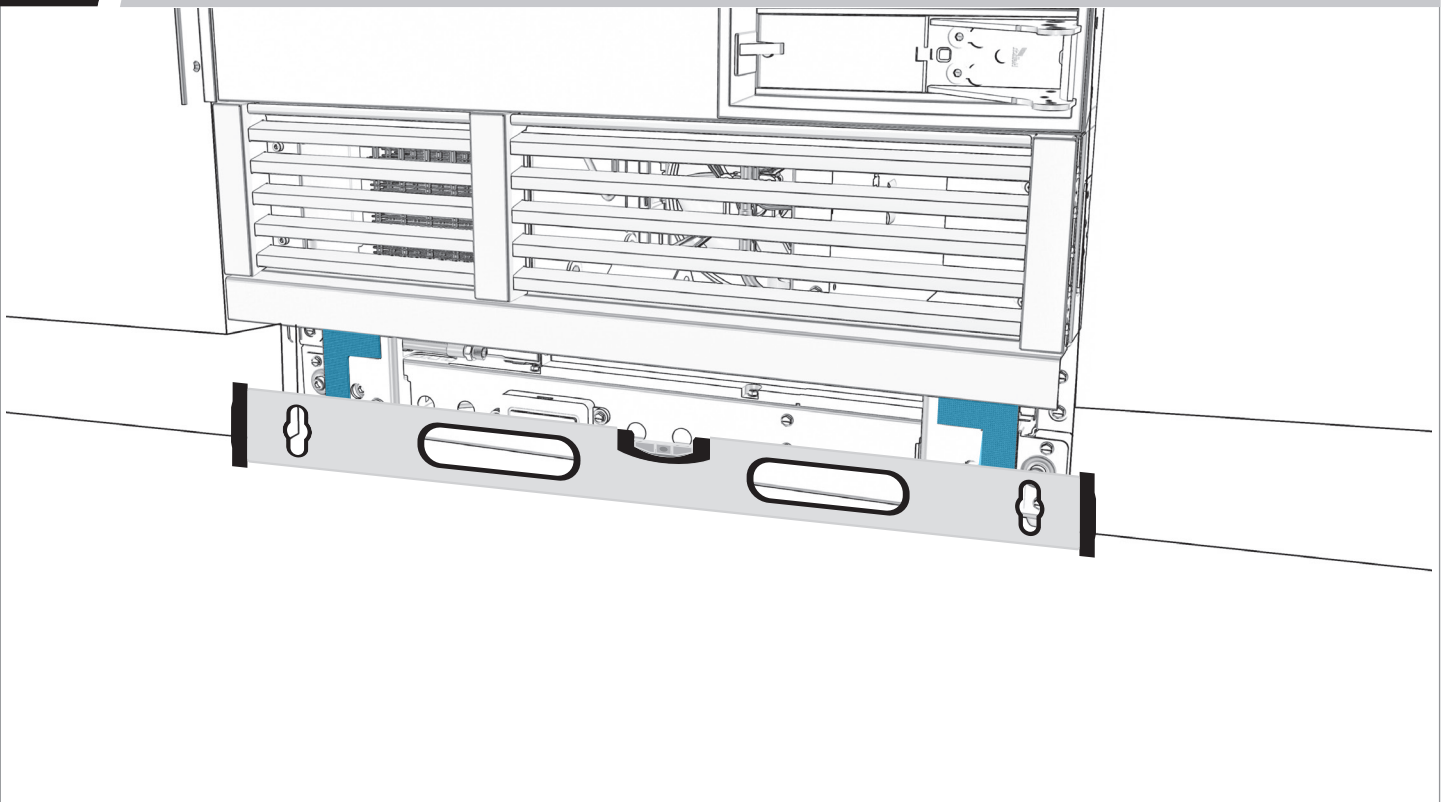
ALIGNER LES SUPPORTS DE LA PLINTHE AVEC LA PLINTHE DU MEUBLE.



Clé hexagonale de 5 mm

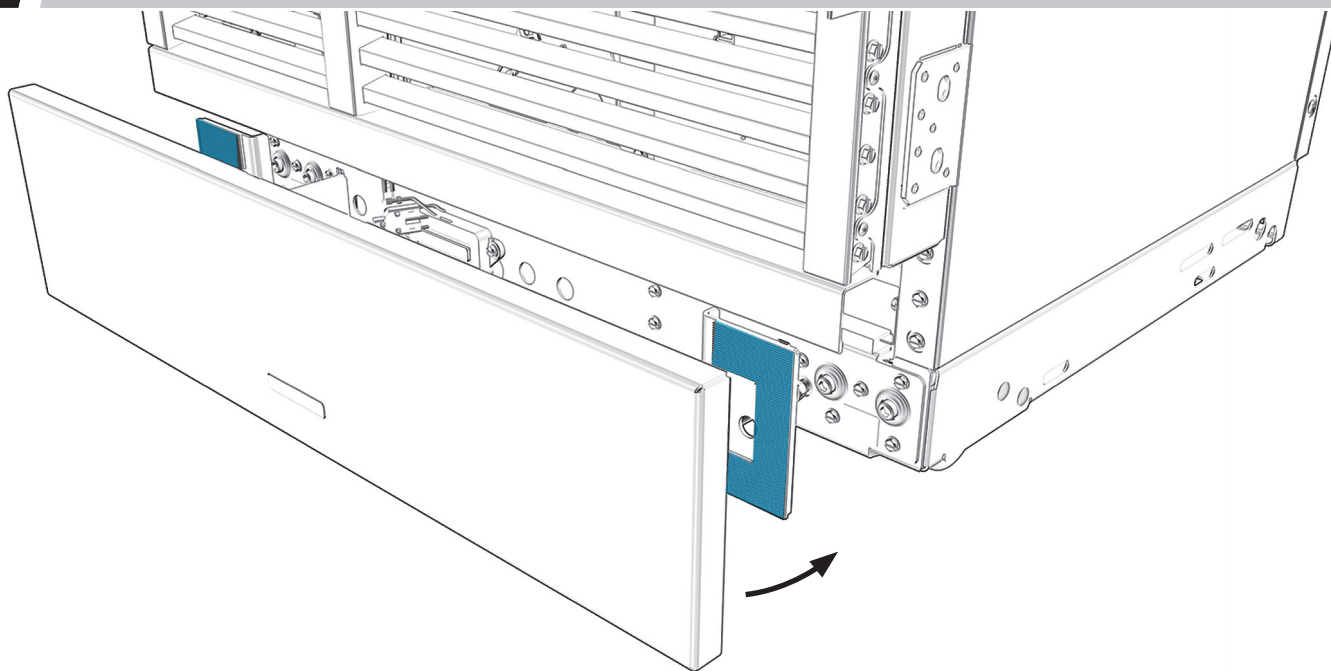
7.2

VÉRIFIER QUE LES SUPPORTS SONT ALIGNÉS.



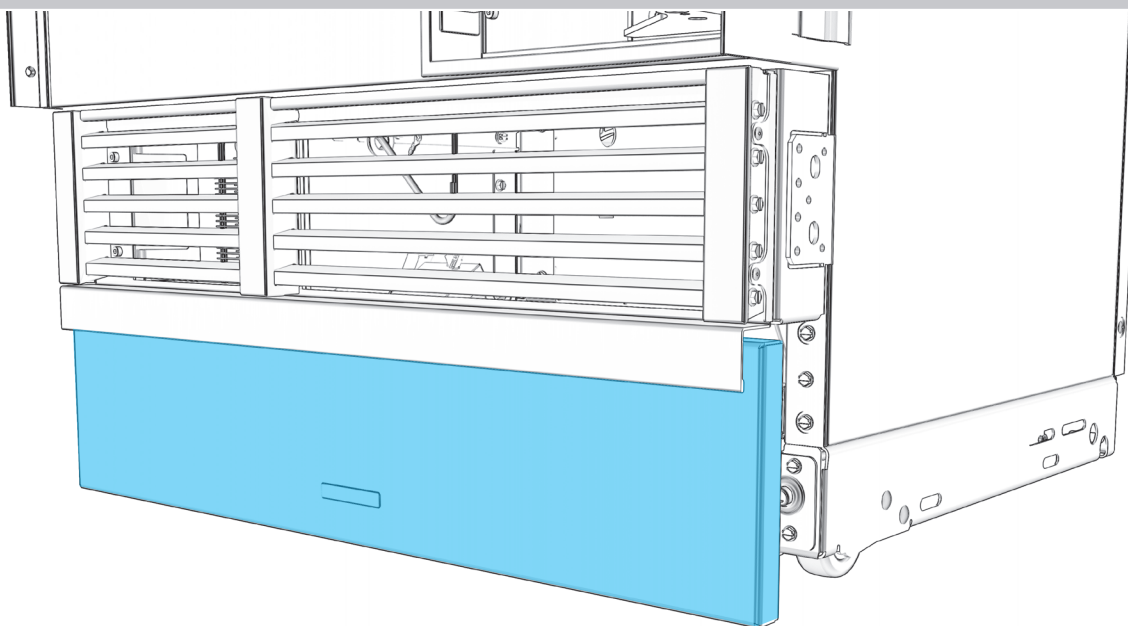
7.3

ALIGNER LES COUSSINS DE PRISE DE LA PLINTHE AVEC LES SUPPORTS.



7.4

PRESSER FERMEMENT POUR FIXER.

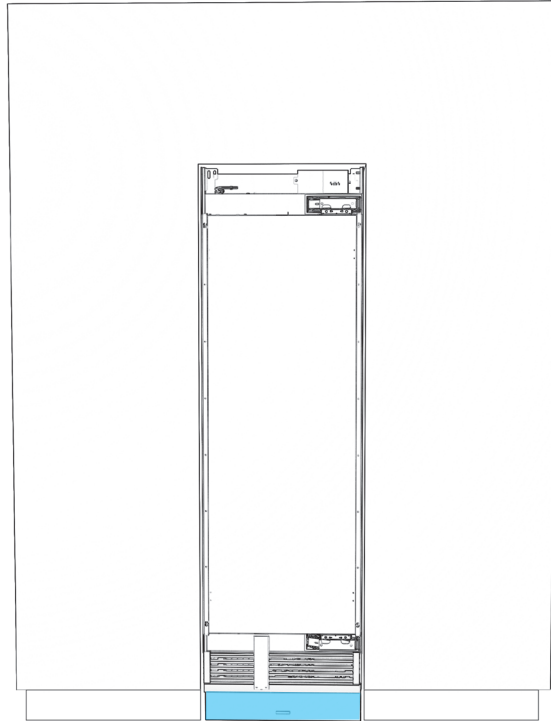


7

ALIGNEMENT ET INSTALLATION DE LA PLINTHE

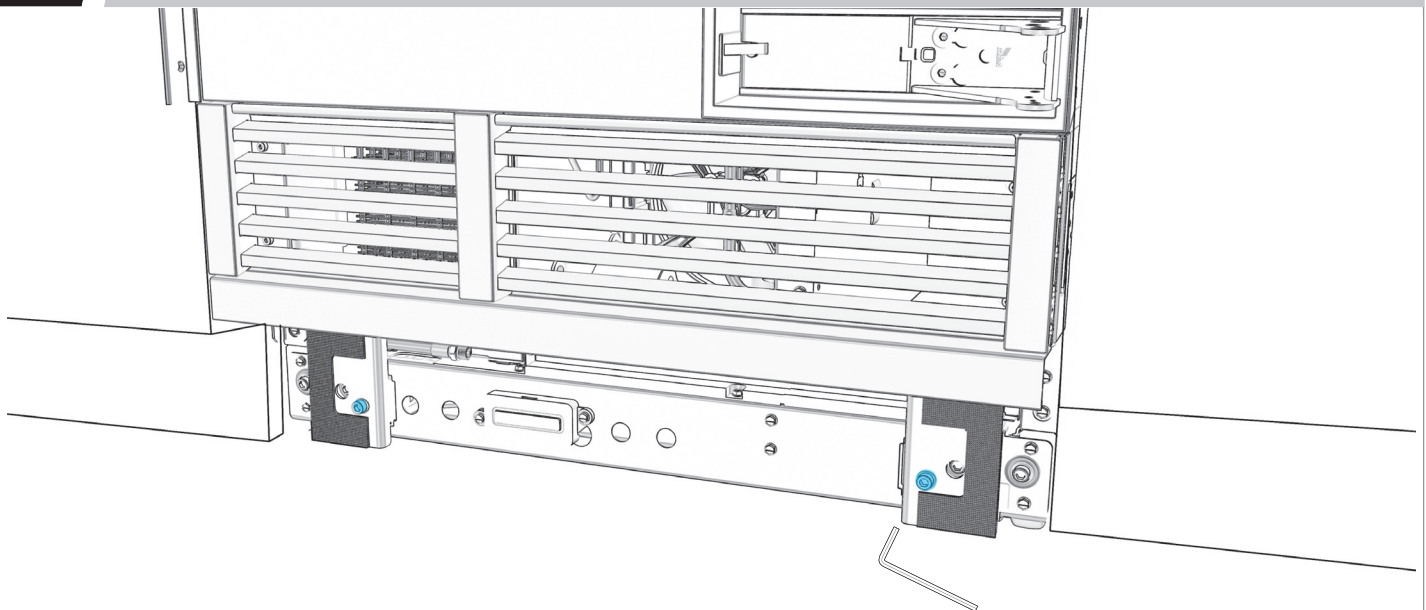
7.5

MESURER LE DÉCALAGE. S'IL N'EST PAS ÉGAL, ENLEVER LE PANNEAU.



7.6

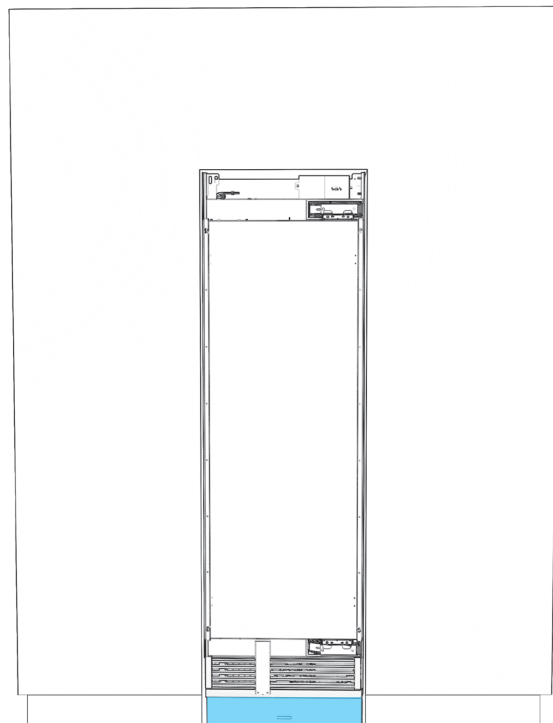
AJUSTER LES SUPPORTS POUR ALIGNER LE PANNEAU.



Clé hexagonale de 5 mm

7.7

CONFIRMER L'ALIGNEMENT, REPLACER AU BESOIN.



VÉRIFICATION DE L'INSTALLATION

- PG.129** PANNEAU DE PORTE EN BOIS PERSONNALISÉ
- PG.134** PANNEAU DE PORTE EN ACIER INOXYDABLE
- PG.137** SUSPENDRE ET ALIGNER UN PANNEAU DE PORTE

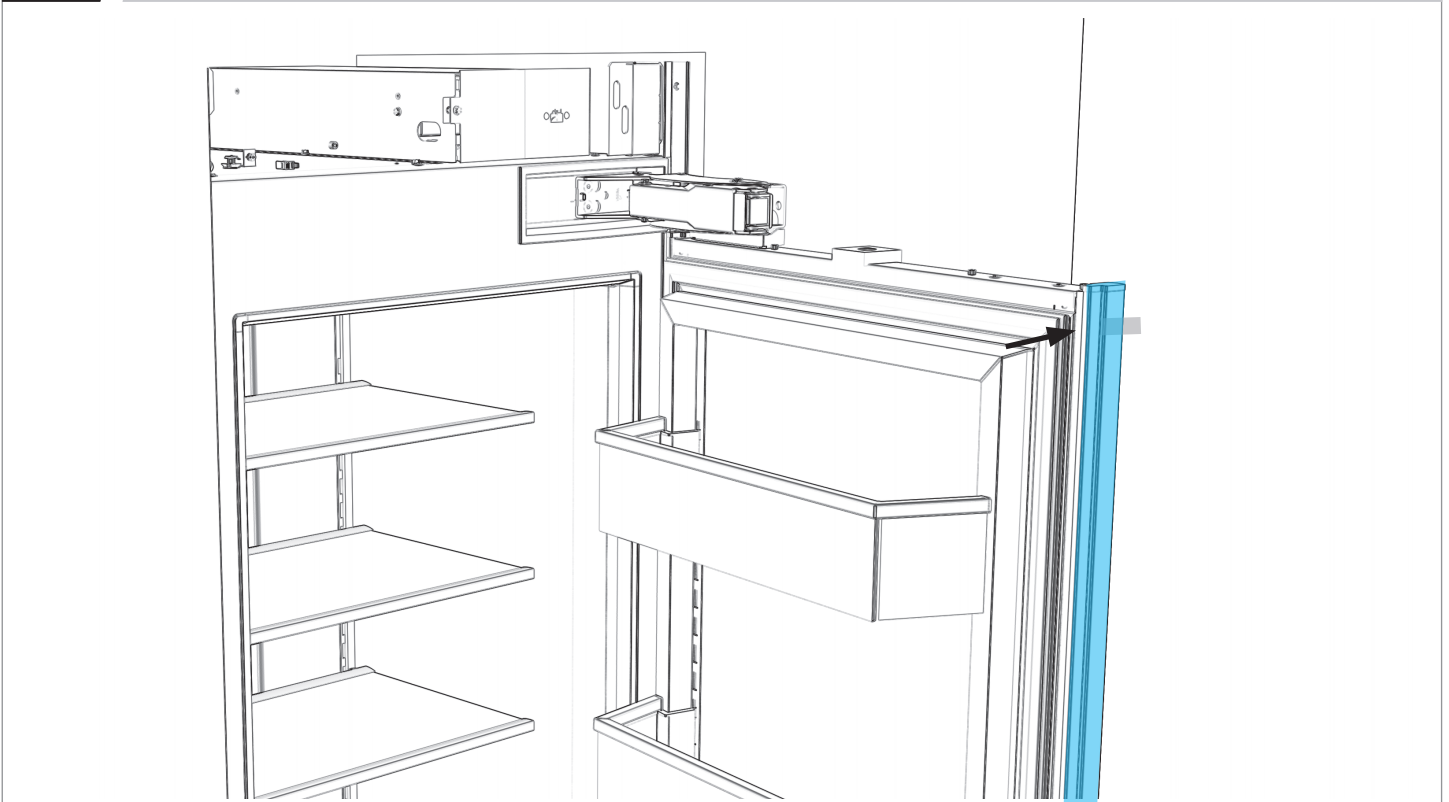
PRÉPARATION DU
P A N N E A U
EN BOIS PERSONNALISÉ

8

PRÉPARATION DU PANNEAU DE BOIS PERSONNALISÉ

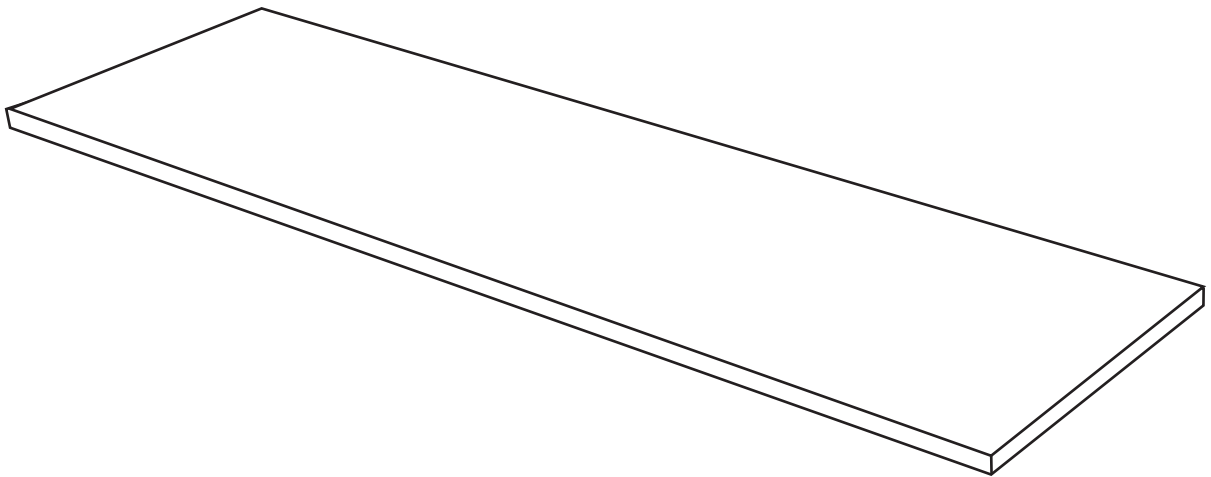
8.1

TIRER SUR LE RUBAN POUR FAIRE SORTIR LA GARNITURE DE SUPPORT.



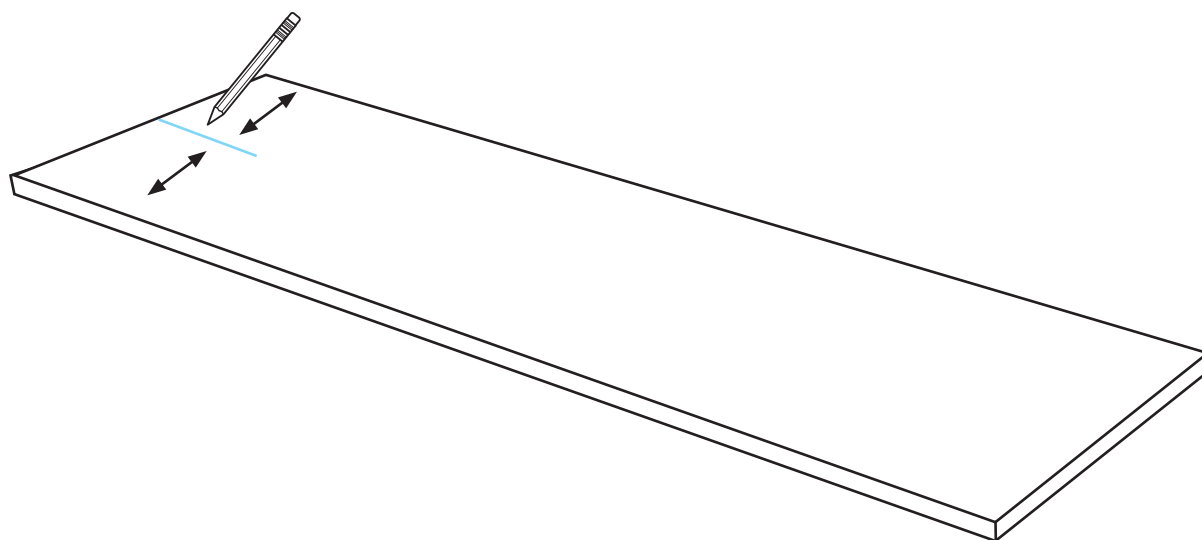
8.2

PLACER LE PANNEAU, FACE CONTRE LE SOL.

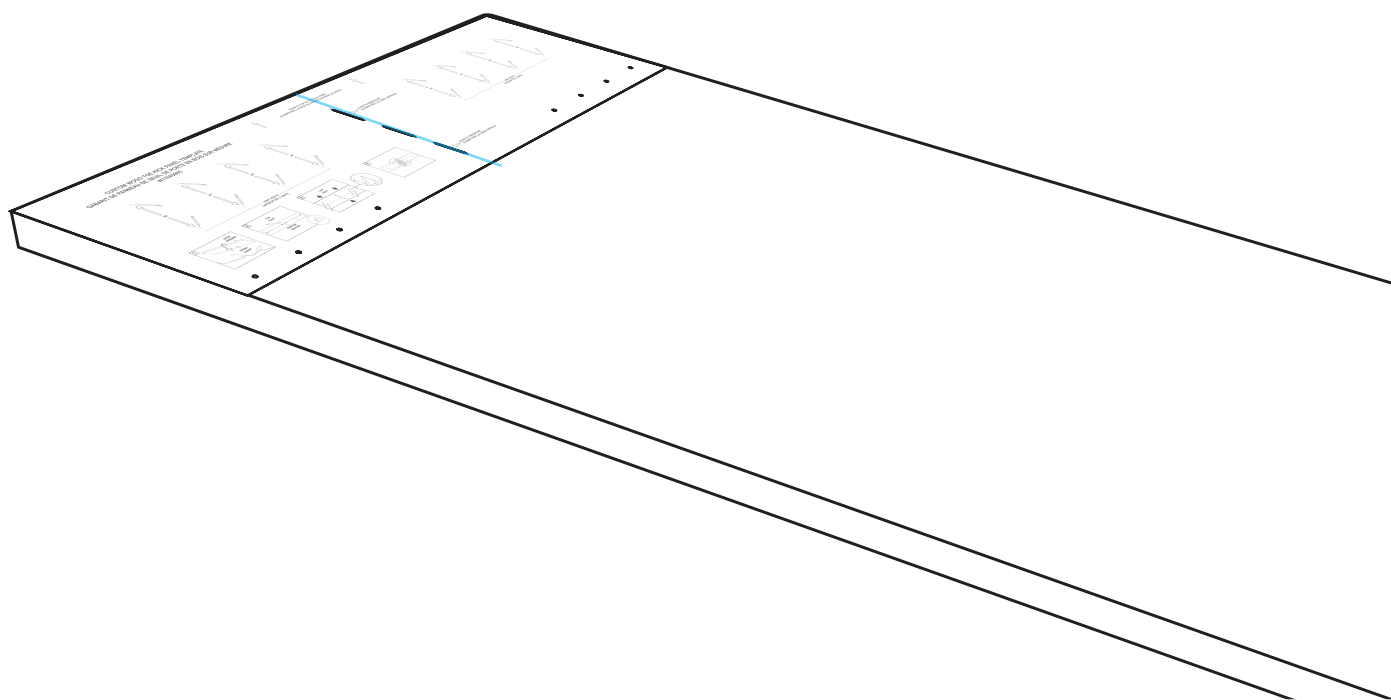


PLACER SUR UNE SURFACE PLANE, RECOUVERTE D'UN TISSU

8.3 MESURER ET MARQUER LE CENTRE DU PANNEAU.



8.4 ALIGNER LES FENTES DU GABARIT POUR PANNEAU EN BOIS PERSONNALISÉ AVEC LA LIGNE AU CENTRE DU PANNEAU.

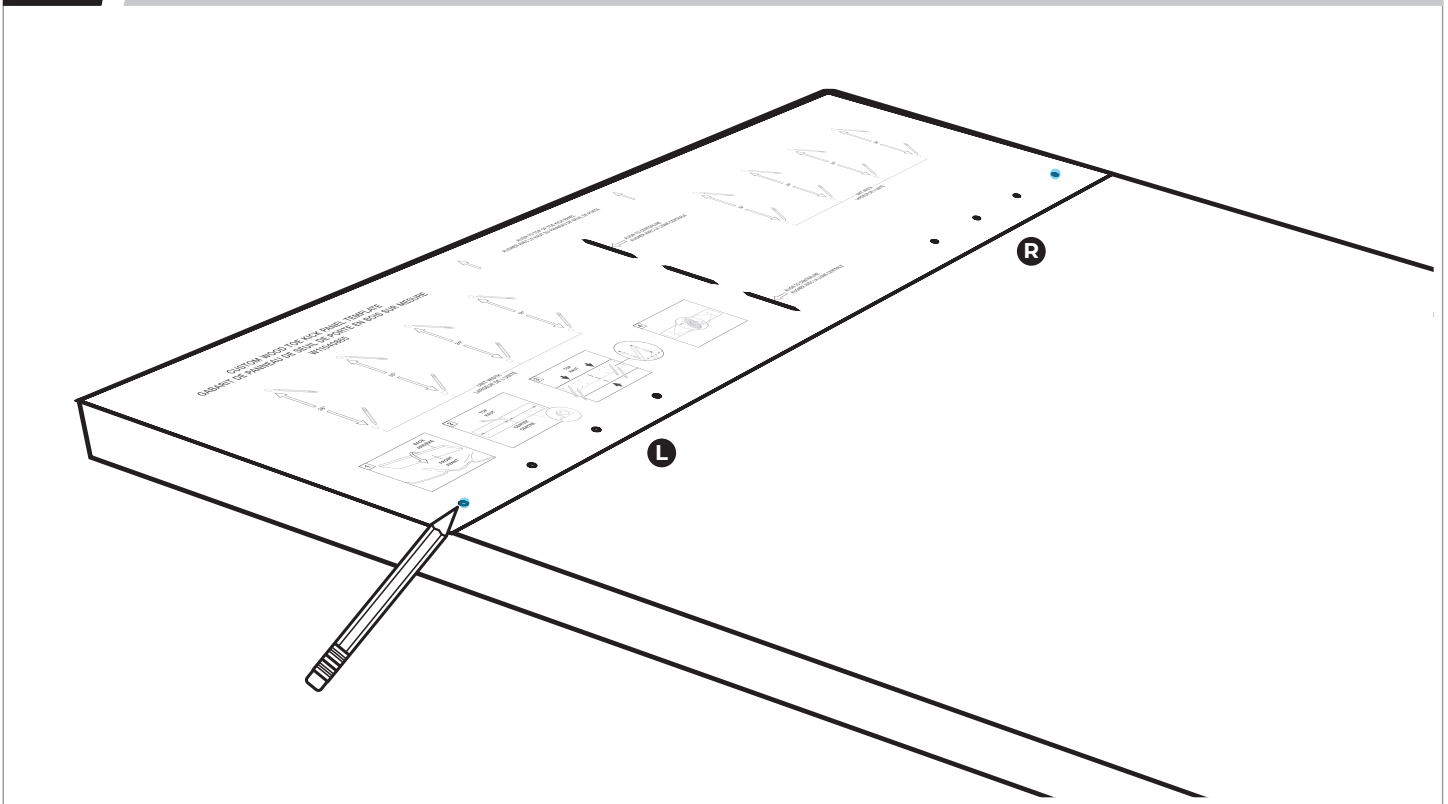


8

PRÉPARATION DU PANNEAU DE BOIS PERSONNALISÉ

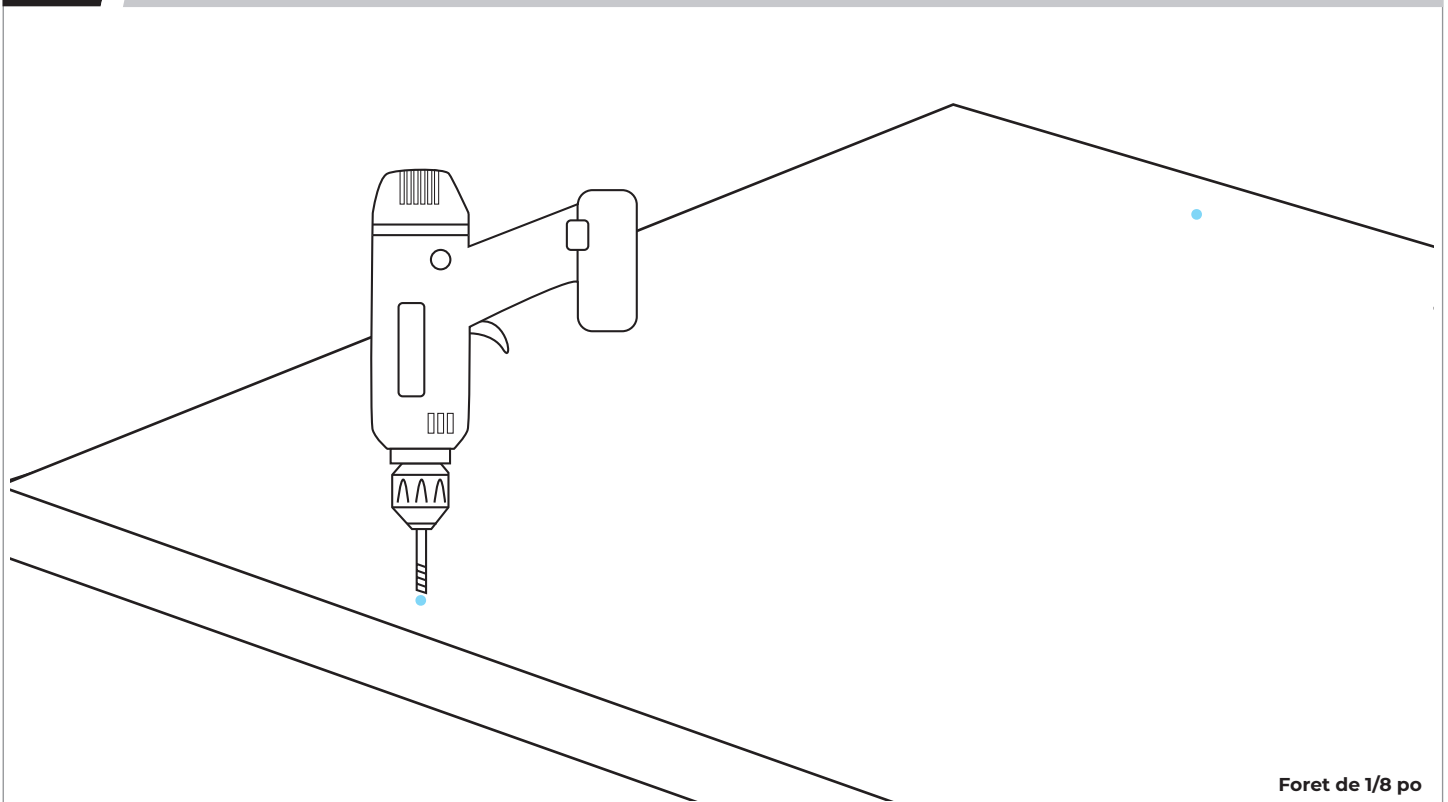
8.5

MARQUER LES TROUS DE GAUCHE ET DE DROITE.



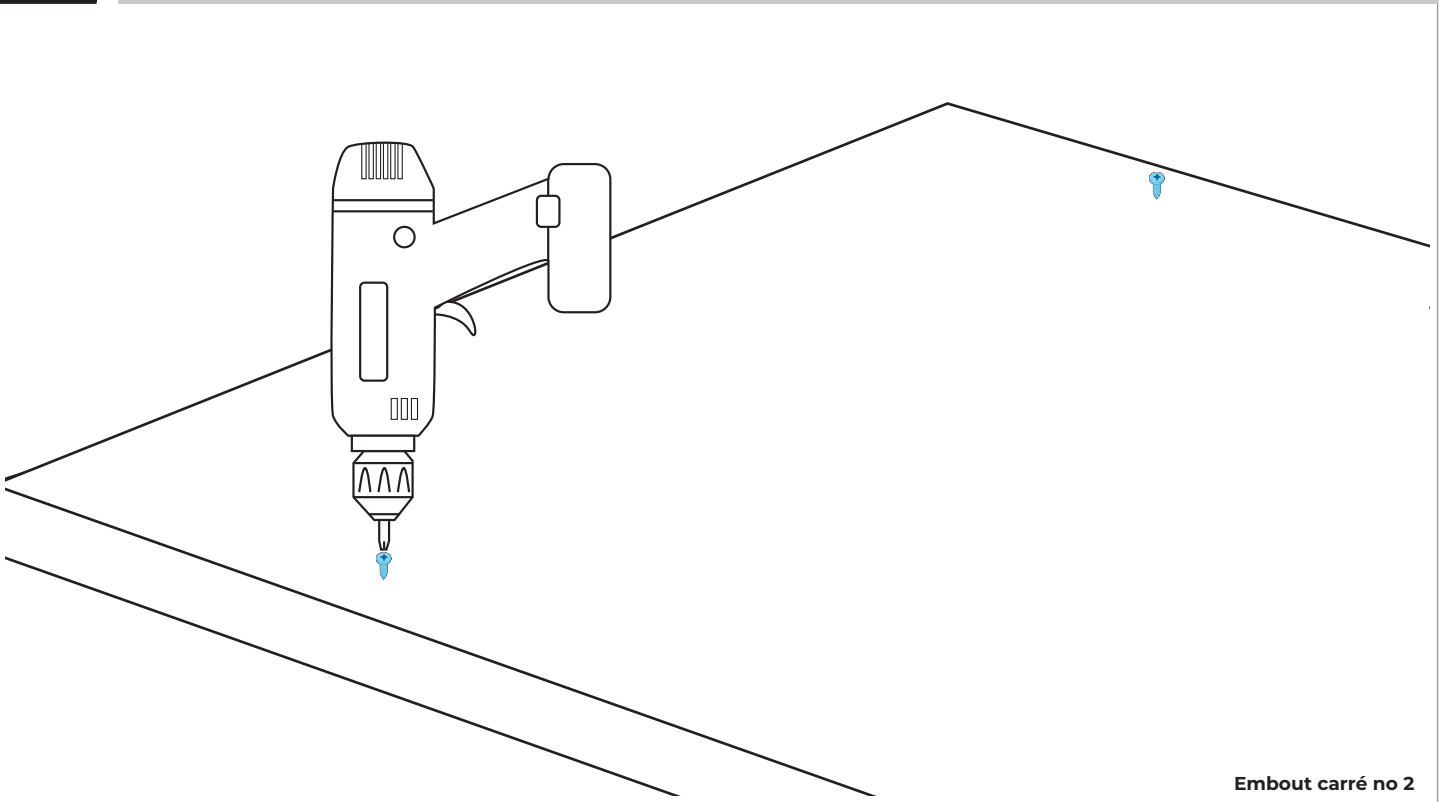
8.6

PERCER LES TROUS.

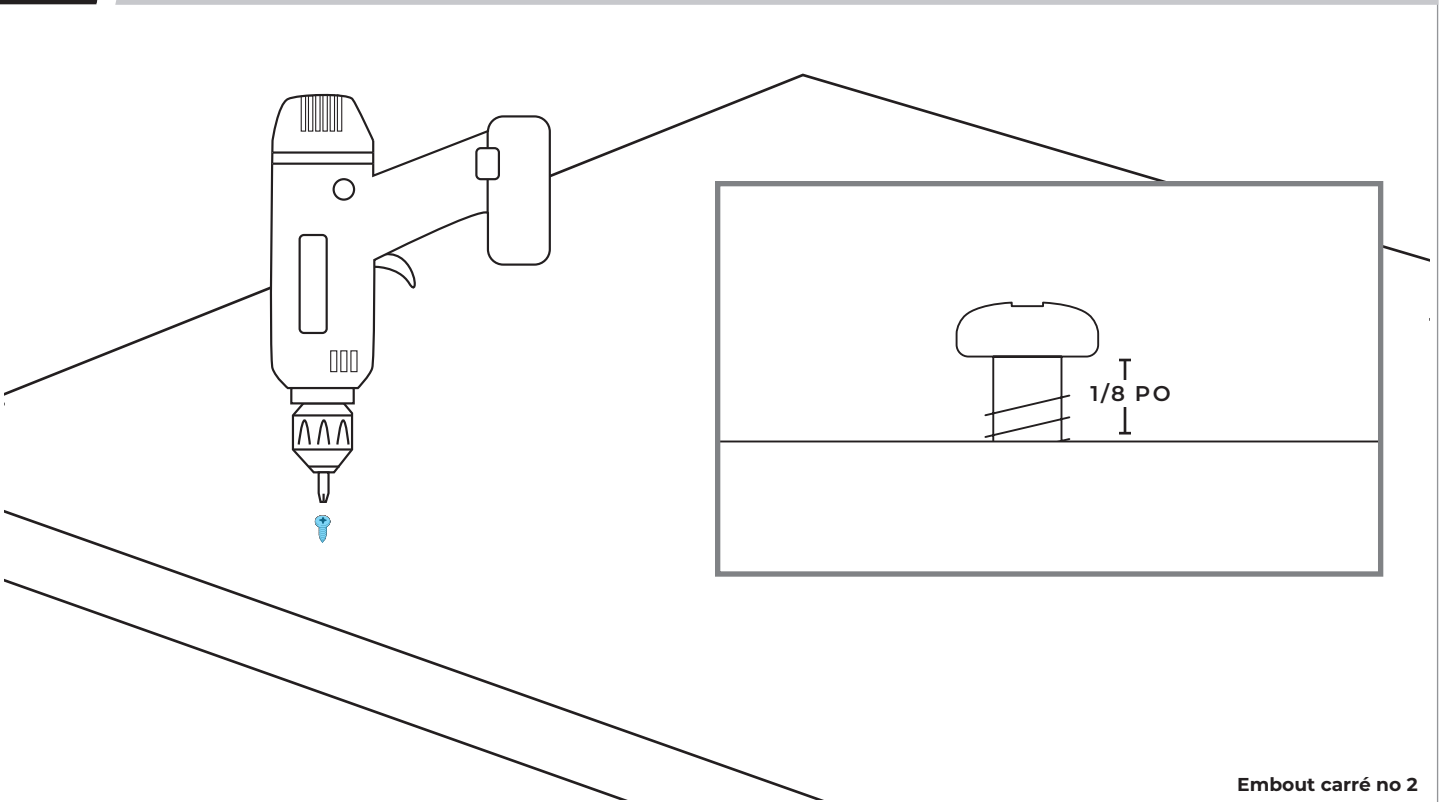


Foret de 1/8 po

8.7 INSÉRER DES VIS DANS LES TROUS.



8.8 S'ASSURER DE GARDER UN JEU DE 1/8 PO (3,18 MM).

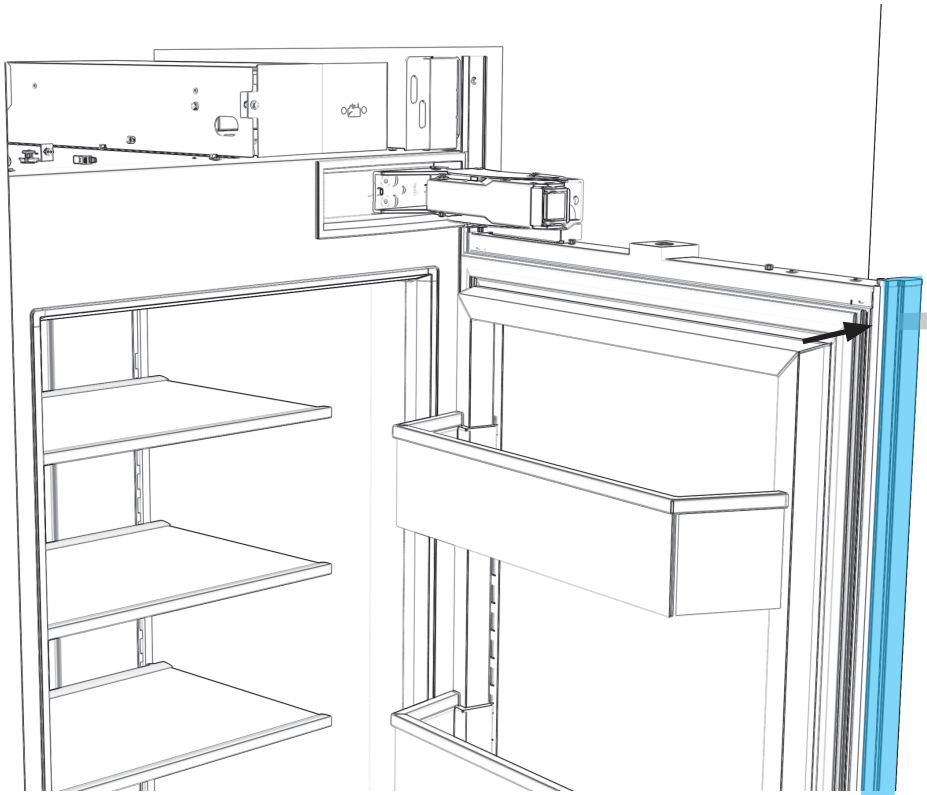




PRÉPARATION DU
P A N N E A U
EN ACIER INOXYDABLE

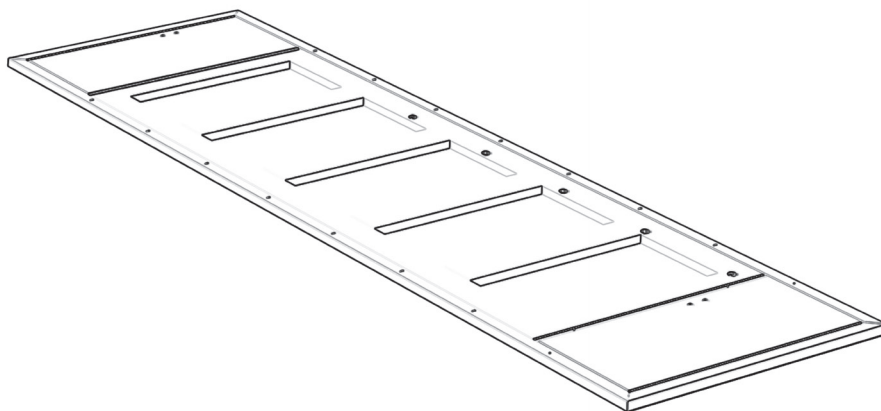
9.1

TIRER SUR LE RUBAN POUR FAIRE SORTIR LES GARNITURES DE SUPPORT.



9.2

PLACER LE PANNEAU, FACE CONTRE LE SOL.



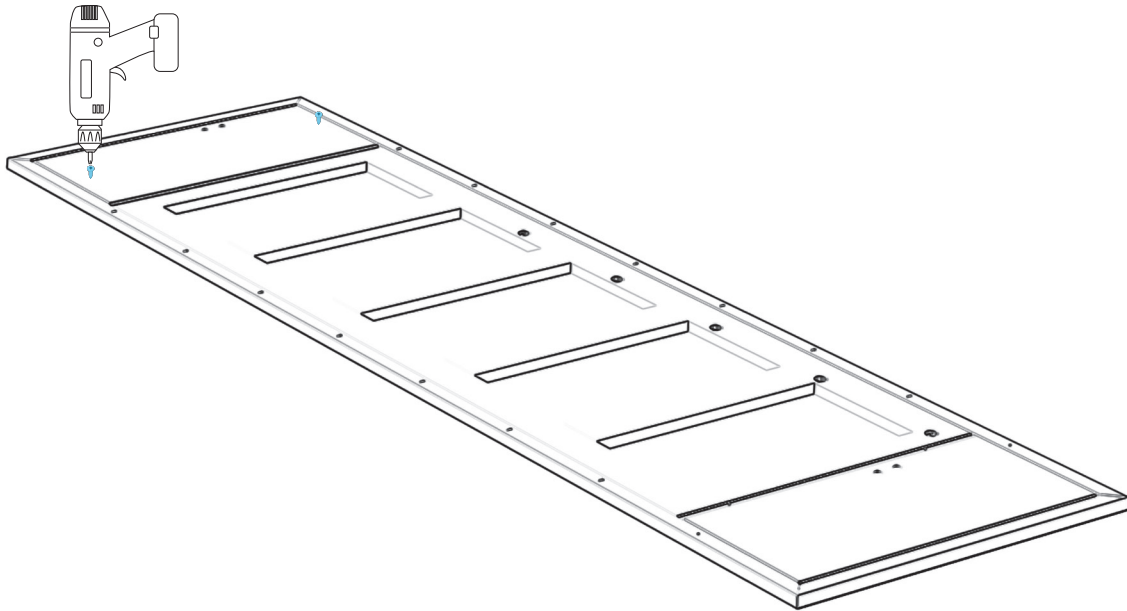
PLACER SUR UNE SURFACE PLANE, RECOUVERTE D'UN TISSU

9

PRÉPARATION DU PANNEAU EN ACIER INOXYDABLE

9.3

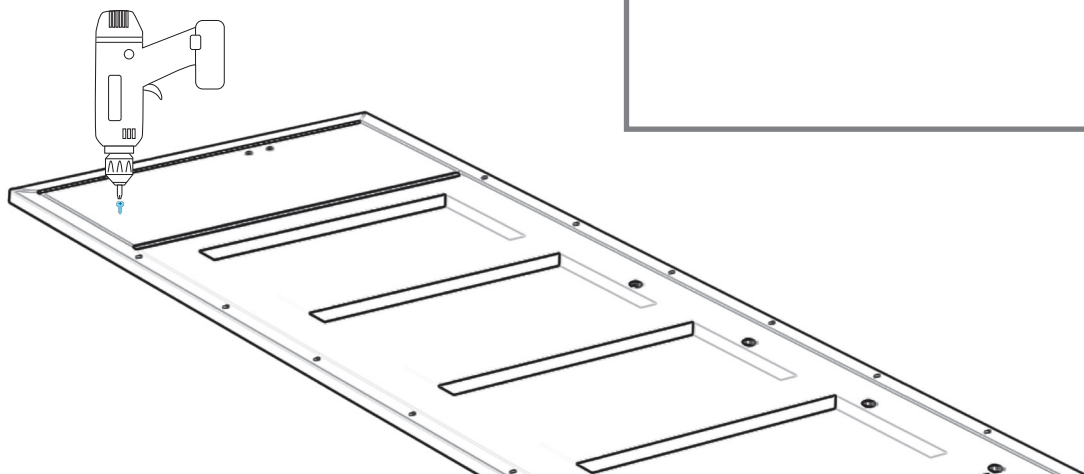
INSÉRER DES VIS DANS LES TROUS.



Embout carré no 2

9.4

S'ASSURER DE GARDER UN JEU DE 1/8 PO (3,18 MM).



Embout carré no 2

10

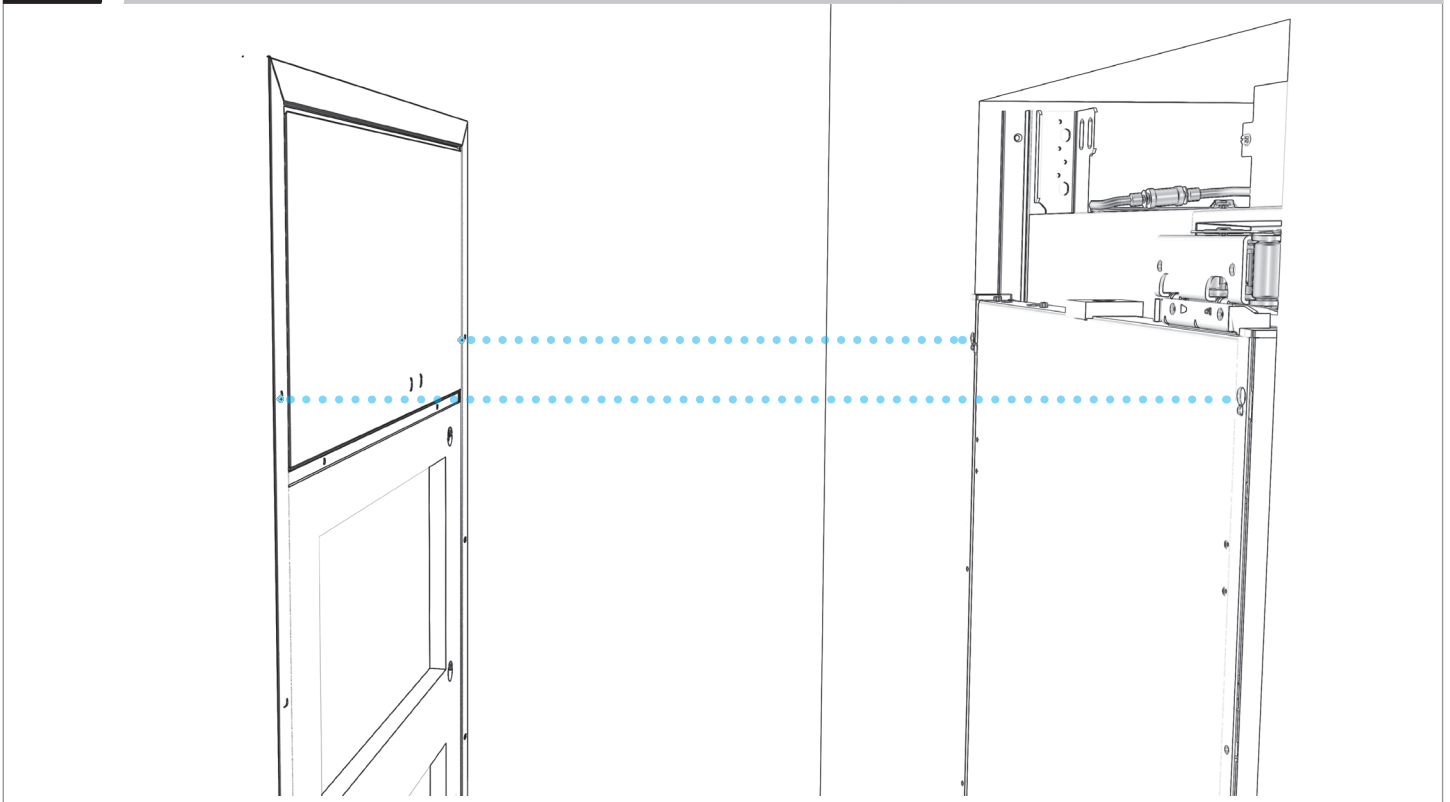
SUSPENSION ET AJUSTEMENT DU
P A N N E A U

10

SUSPENSION ET AJUSTEMENT DU PANNEAU

10.1

INSÉRER LES VIS DANS LES FENTES SUPÉRIEURES DES GARNITURES D'AJUSTEMENT DE PORTE.

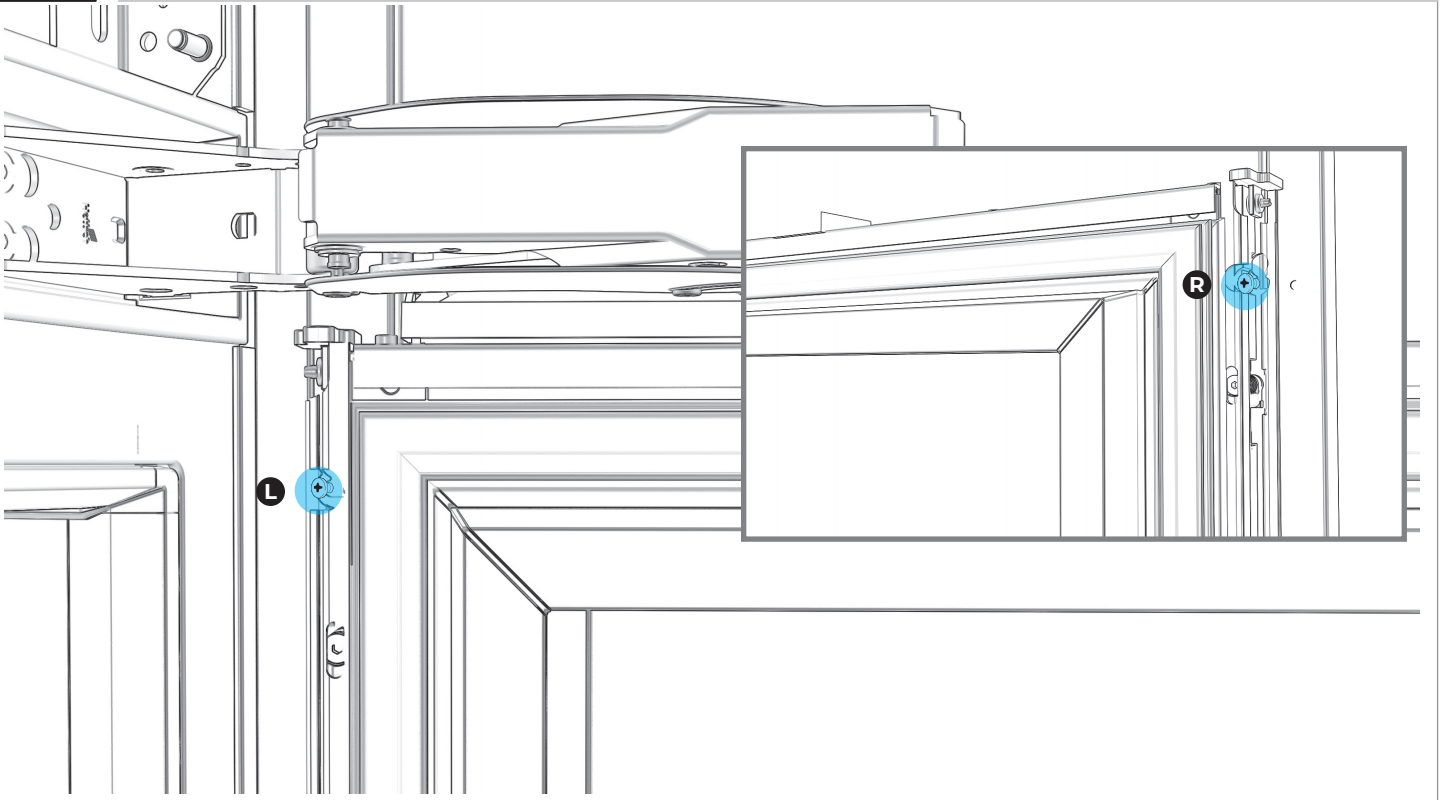


10.2

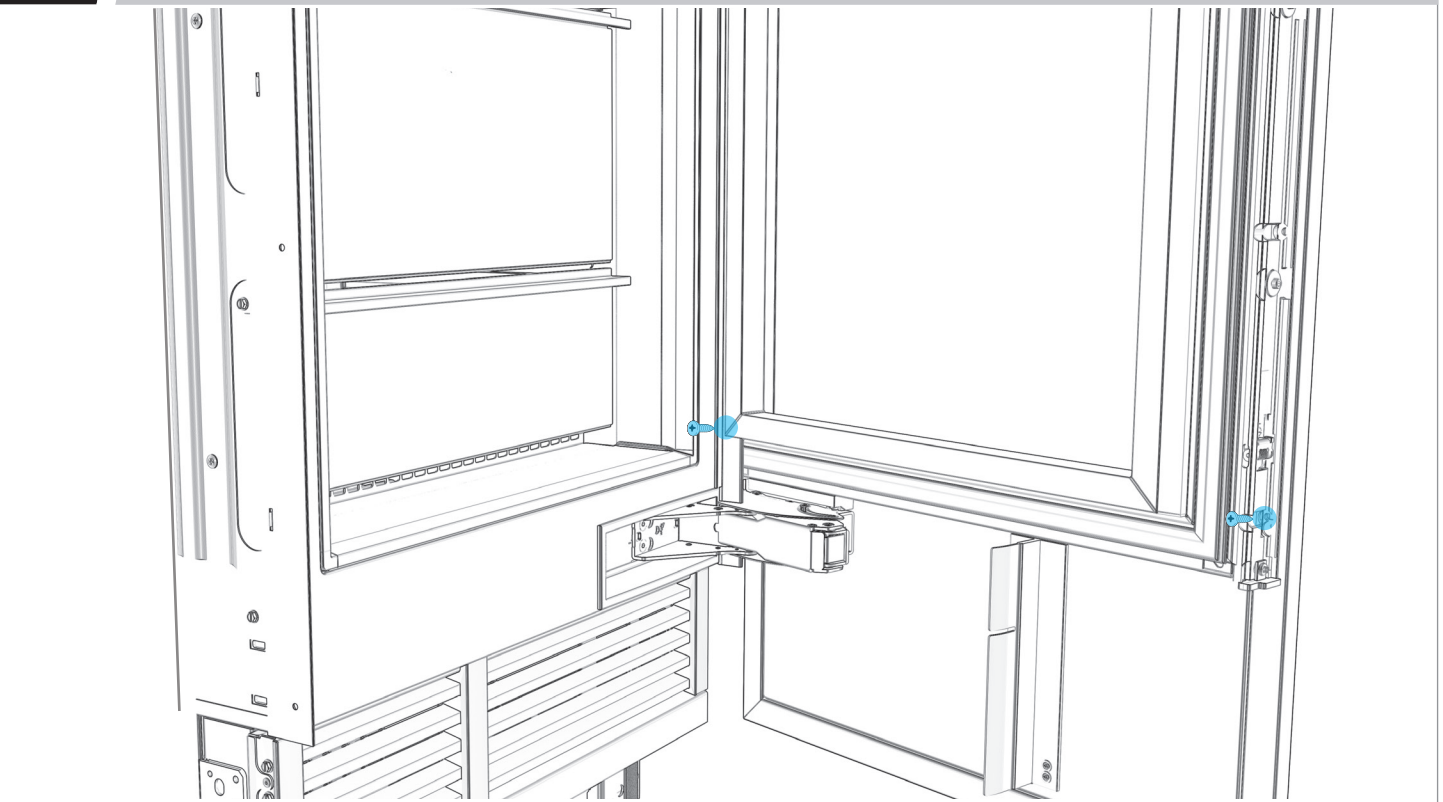
AJUSTER MANUELLEMENT LA POSITION DU PANNEAU DE PORTE.



10.3 SERRER LES DEUX VIS SUPÉRIEURES.



10.4 INSERRER, SANS SERRER, DEUX VIS DANS LES TROUS INFÉRIEURS.

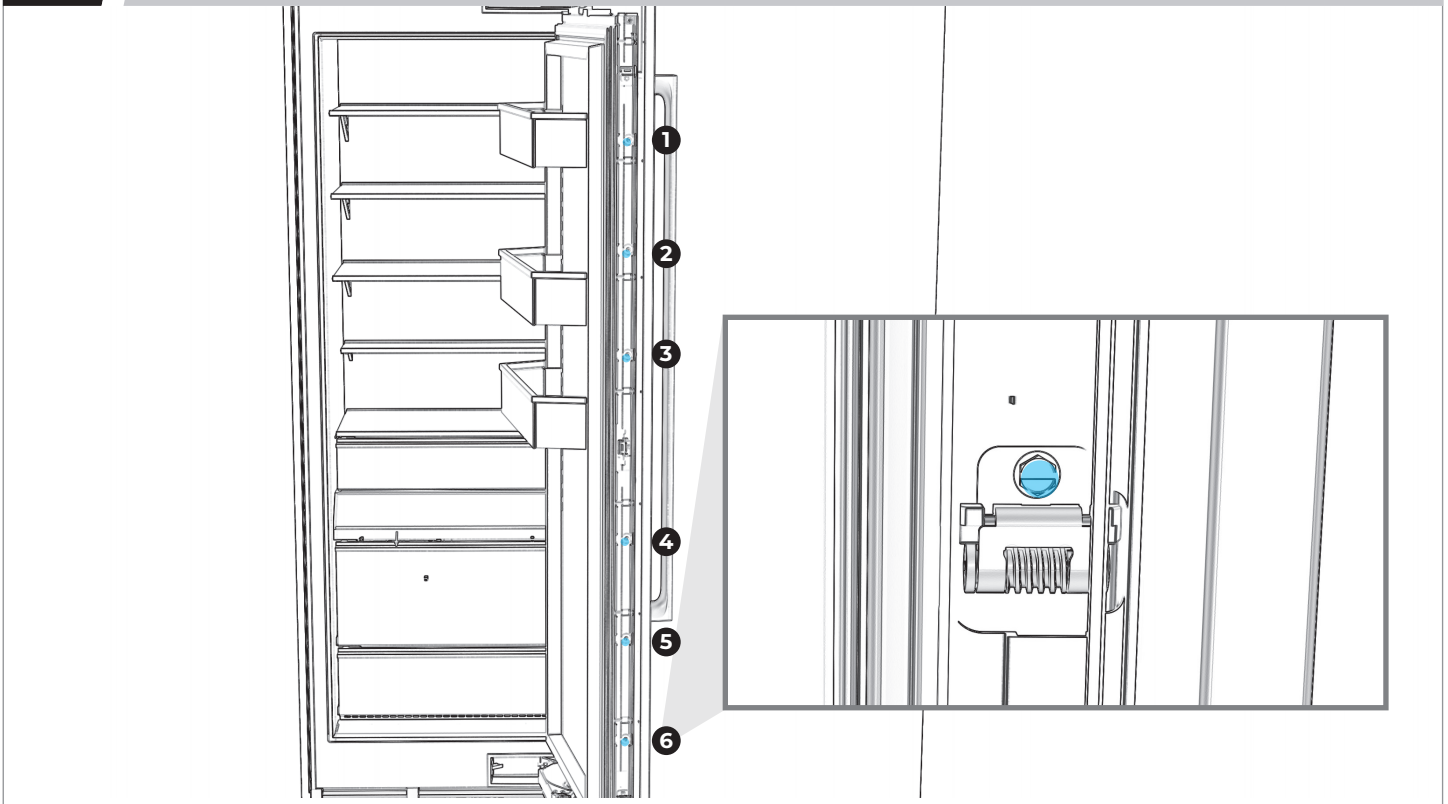


10

SUSPENSION ET AJUSTEMENT DU PANNEAU

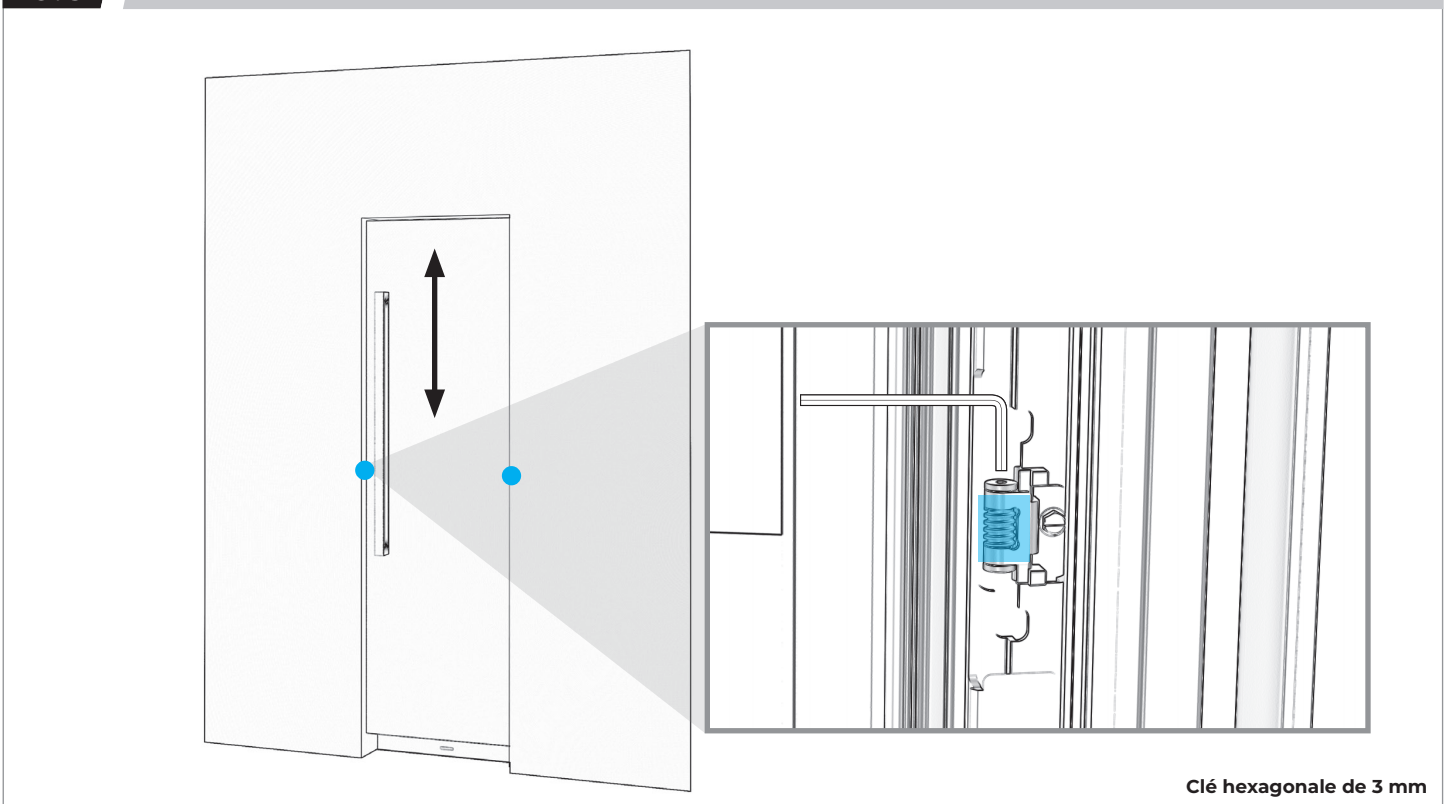
10.5

DESSERRER SIX VIS D'AJUSTEMENT PAR CÔTÉ.



10.6

RÉGLER LA HAUTEUR DU PANNEAU DE PORTE.



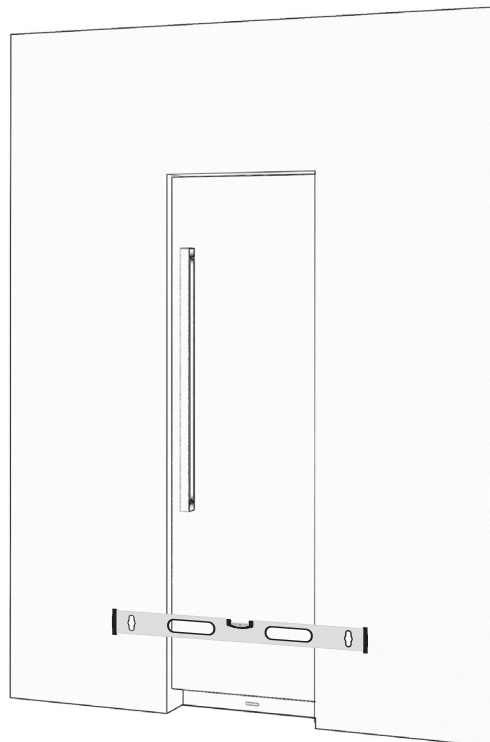
Clé hexagonale de 3 mm

10.7 AJUSTER LA PROFONDEUR DU PANNEAU DE PORTE.



Clé hexagonale de 3 mm

10.8 VÉRIFIER QUE LE PANNEAU DE PORTE EST DE NIVEAU AVEC LES MEUBLES.

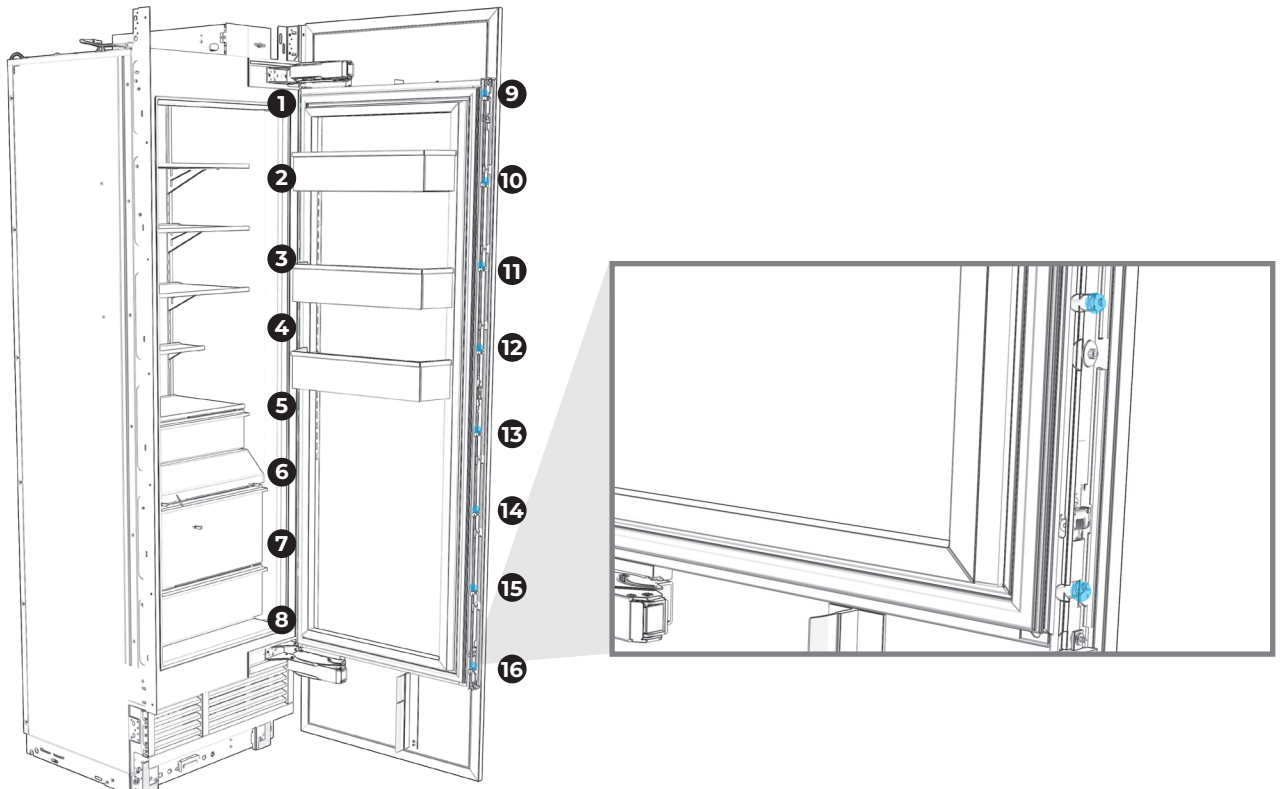


10

SUSPENSION ET AJUSTEMENT DU PANNEAU

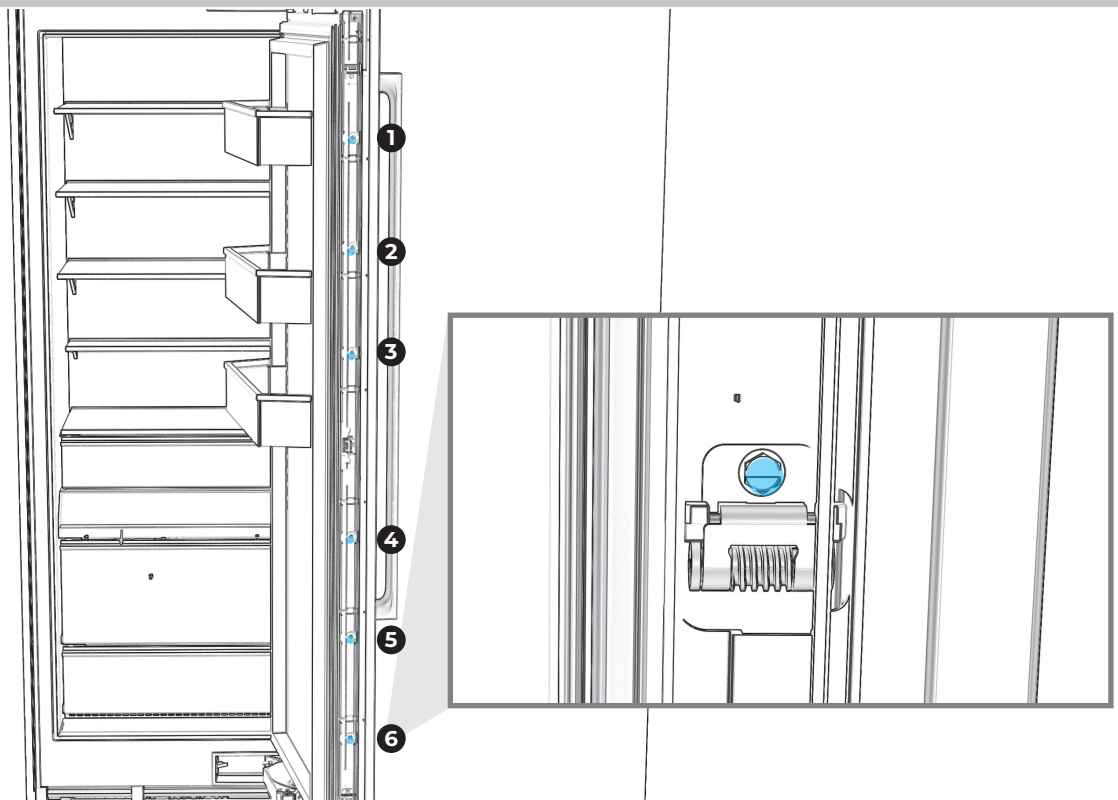
10.9

INSÉRER ET SERRER LES 16 VIS.



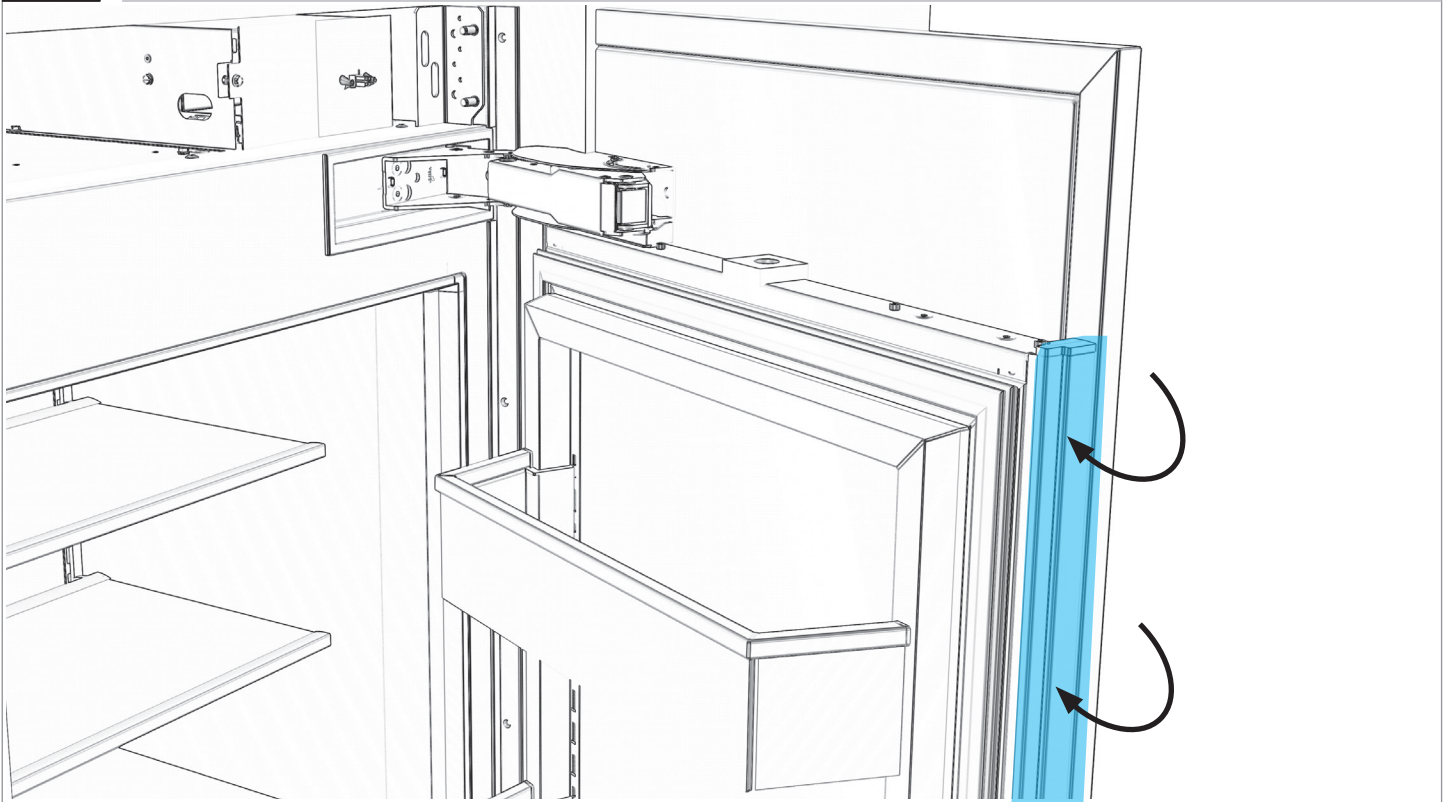
10.10

BIEN SERRER SIX VIS D'AJUSTEMENT PAR CÔTÉ.



10.11

RÉINSTALLER LES GARNITURES DE SUPPORT.



TERMINER
L'INSTALLATION

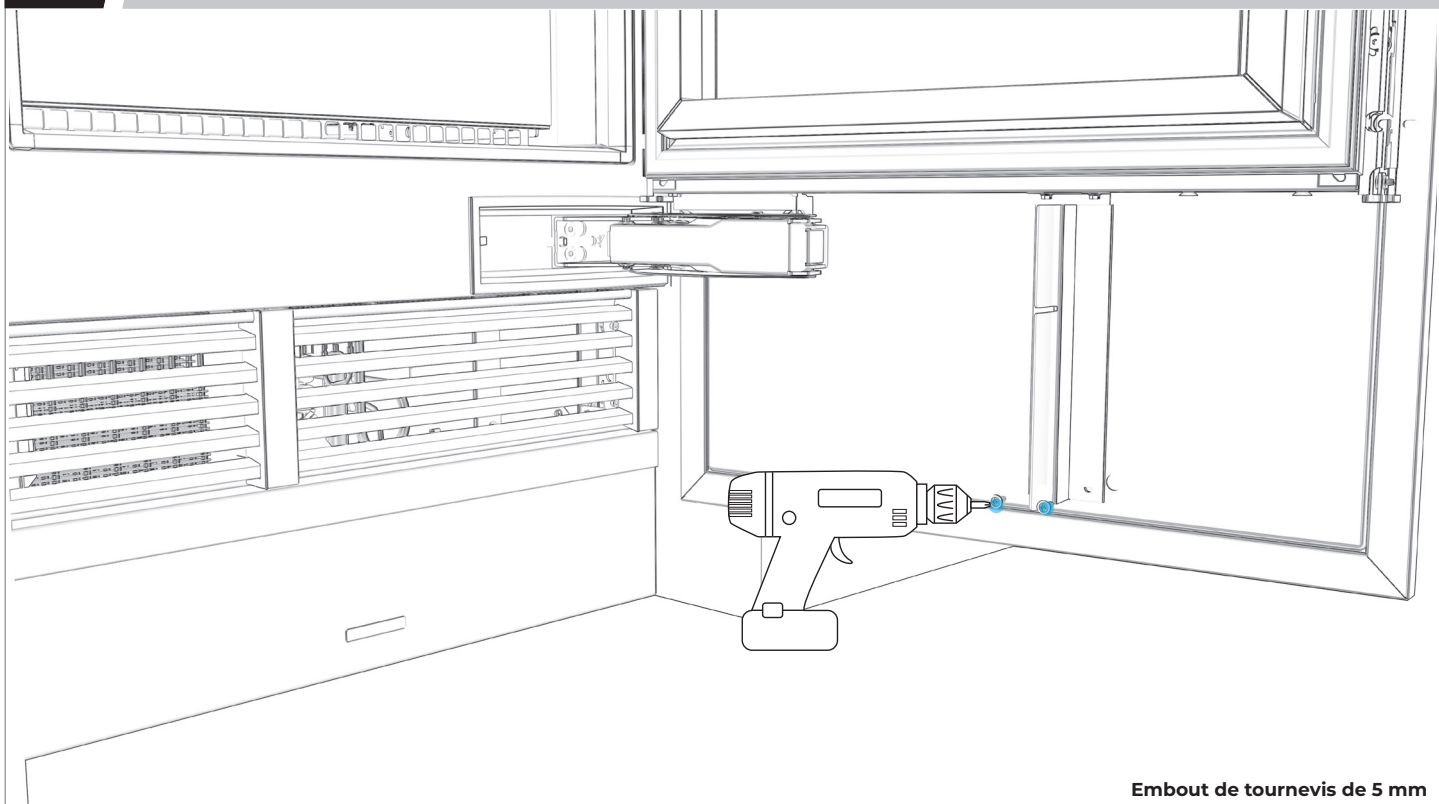
11.1

TIRER SUR LES GARNITURES DE CÔTÉ POUR QU'ELLES SOIENT BIEN SERRÉES.



11.2

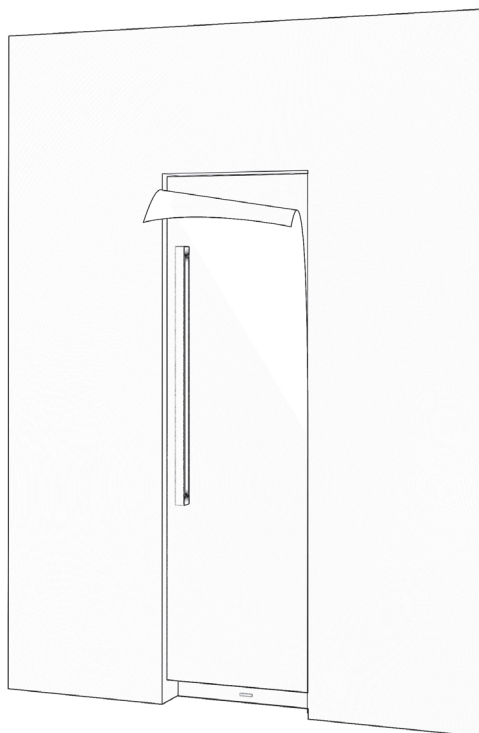
FIXER LE SÉPARATEUR D'AIR AU PANNEAU DE PORTE.



Embout de tournevis de 5 mm

11.3

11.3 RETIRER LE FILM.



AVANT LA VÉRIFICATION FINALE, LIRE LES AVERTISSEMENTS.

⚠ AVERTISSEMENT



Risque de choc électrique

Brancher sur une prise à 3 alvéoles reliée à la terre.

Ne pas enlever la broche de liaison à la terre.

Ne pas utiliser un adaptateur.

Ne pas utiliser un câble de rallonge.

Le non-respect de ces instructions peut causer un décès, un incendie ou un choc électrique.

VÉRIFICATION FINALE

- Il ne reste plus d'emballage dans la maison du client
- Le réfrigérateur intégré en colonne est branché, alimenté et fonctionne à son rendement cible
- L'appareil est d'aplomb
- Les panneaux sont alignés et ont été vérifiés de nouveau après 20 minutes de fonctionnement
- Le tuyau d'entrée d'eau est raccordé correctement, il n'y a pas de fuite
- Le filtre à eau est installé (ne s'applique pas s'il y a un système d'osmose inverse)
- Le distributeur et la machine à glaçons fonctionnent
- Tout problème en lien avec l'installation ou les pièces a été signalé à l'Epicenter de JennAir

EXPLICATIONS AU CLIENT

Si le client est présent, lui remettre le guide d'utilisation. Expliquer au client comment :

- Fonctionne le tableau de commande
- Configurer l'application et le Wi-Fi
- Jeter les premières quantités de glaçons produites
- Remplacer le filtre à eau
- Enregistrer son appareil
- Comment communiquer avec l'Epicenter JennAir à partir du jennair.com ou en composant le 1 800 JENNAIR (536-6247)

ANNEXE

RENSEIGNEMENTS SUPPLÉMENTAIRES SUR LES CALES

CONNAÎTRE L'ÉPAISSEUR DES CALES

1. Mesurer et inscrire la distance entre les empreintes des cales supérieures gauche et droite. Inscrive cette mesure ci-dessous à « A ».

A = _____

2. Utiliser le tableau suivant pour trouver la valeur de B pour votre largeur de modèle.
Soustraire B de A pour trouver C :

$$\frac{\quad}{A} - \frac{\quad}{B} = \frac{\quad}{C}$$

Largeur du modèle	B
18 po	17 3/4 po (45,1 cm)
24 po	23 3/4 po (60,3 cm)
30 po	29 3/4 po (75,6 cm)
36 po	35 3/4 po (90,8 cm)

3. Diviser C par 2 pour obtenir l'épaisseur requise pour les cales supérieures :

$$\frac{\quad}{C} / \frac{2}{\quad} = \frac{\quad}{\text{Épaisseur}}$$

Créer des cales de la bonne épaisseur en empilant une combinaison des cales fournies, au besoin.

ANNEXE

RENSEIGNEMENTS SUPPLÉMENTAIRES SUR LES CALES

CONNAÎTRE L'ÉPAISSEUR DES CALES INFÉRIEURES

1. Mesurer et inscrire la distance entre les empreintes des cales inférieures gauche et droite. Inscrire cette mesure ci-dessous à « D ».

D = _____

2. Utiliser le tableau suivant pour trouver la valeur de E pour votre largeur de modèle.
Soustraire E de D pour trouver F.

$$\frac{\quad}{D} - \frac{\quad}{E} = \frac{\quad}{F}$$

Largeur du modèle	E
18 po	17 1/2 po (44,5 cm)
24 po	23 7/16 po (59,5 cm)
30 po	29 7/16 po (74,8 cm)
36 po	35 7/16 po (90 cm)

3. Diviser F par 2 pour obtenir l'épaisseur requise pour les cales supérieures :

$$\frac{\quad}{F} / \frac{2}{\quad} = \frac{\quad}{\text{Épaisseur}}$$

Créer des cales de la bonne épaisseur en empilant une combinaison des cales fournies, au besoin.

NOTES

NOTES

NOTES

NOTES



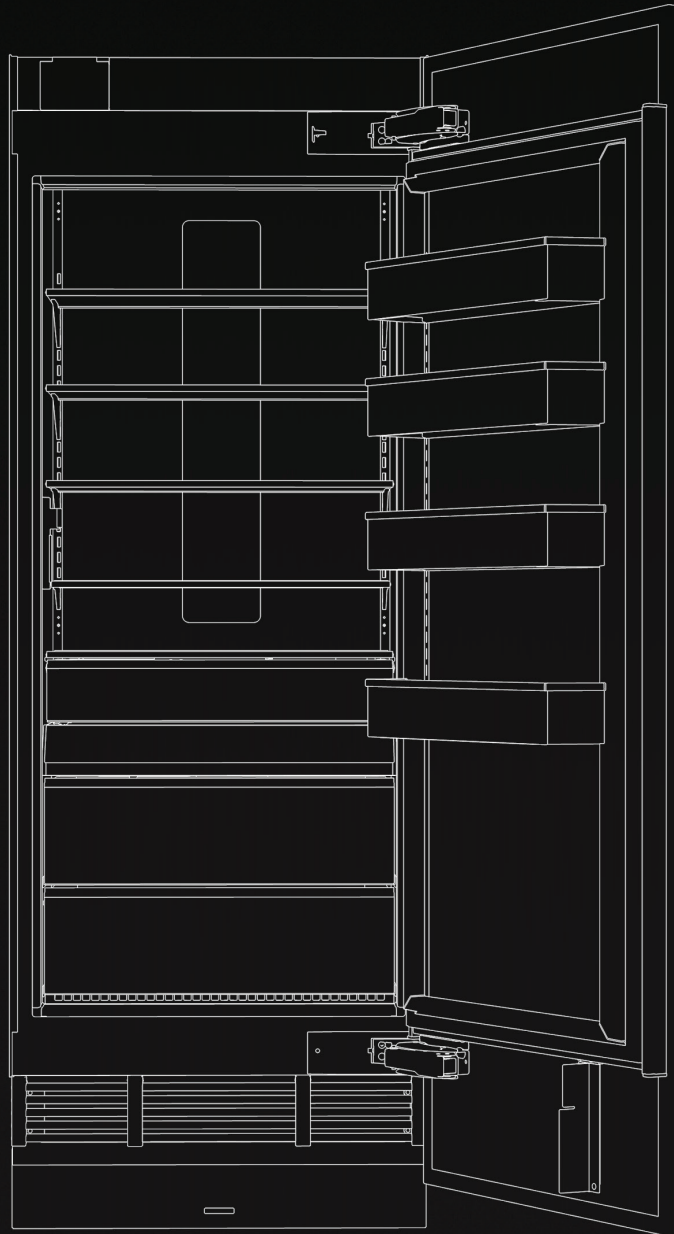
INSTALL

COLUMN REFRIGERATION

SINGLE UNIT

RÉFRIGÉRATEUR INTÉGRÉ EN COLONNE

COMPARTIMENT UNIQUE



JENNAIR®

Your safety and the safety of others are very important.

We have provided many important safety messages in this manual and on your appliance. Always read and obey all safety messages.



This is the safety alert symbol.

This symbol alerts you to potential hazards that can kill or hurt you and others.

All safety messages will follow the safety alert symbol and either the word "DANGER" or "WARNING."

These words mean:

⚠ DANGER

You can be killed or seriously injured if you don't immediately follow instructions.

⚠ WARNING

You can be killed or seriously injured if you don't follow instructions.

All safety messages will tell you what the potential hazard is, tell you how to reduce the chance of injury, and tell you what can happen if the instructions are not followed.

IMPORTANT SAFETY INSTRUCTIONS

WARNING: To reduce the risk of fire, electric shock, or injury when using your refrigerator, follow these basic precautions:

- To avoid a hazard due to instability of the appliance, it must be fixed in accordance with the instructions.
- Plug into a grounded 3 prong outlet.
- Installation shall be performed only by manufacturer, or an authorized agent.
- Do not remove ground prong.
- Do not use an adapter.
- Do not use an extension cord.
- Disconnect power before servicing.
- Replace all parts and panels before operating.
- Remove doors from your old refrigerator.
- Use nonflammable cleaner.
- Do not store or use petrol, flammable liquids or gas in the vicinity of this or other electrical appliances. The fumes can cause fires or explosions.
- Do not store explosive substances such as aerosol cans with a flammable propellant in this refrigerator.
- Do not use or place electrical devices inside the refrigerator compartments if they are not of the type expressly authorized by the manufacture.
- Use two or more people to move and install refrigerator.
- Disconnect power before installing ice maker (on ice maker kit ready models only).
- A qualified service technician must install the water line and ice maker. See installation instruction supplied with ice maker kit IC13B for complete details.
- Connect to a potable water supply only.
- Use a sturdy glass when dispensing ice (on some models).
- This appliance is not intended for use by persons (including children) with reduced physical, sensory or mental capabilities, or lack of experience and knowledge, unless they have been given supervision or instruction concerning use of the appliance by a person responsible for their safety.
- Children should be supervised to ensure that they do not play with the appliance.
- To avoid the risk of children becoming trapped and suffocating, do not allow them to play or hide inside the refrigerator.
- If the supply cord is damaged, it must be replaced by the manufacturer, its service agent or similarly qualified person in order to avoid a hazard.
- This refrigerator is intended to be used in household and similar applications such as:
 - staff kitchen areas in shops, offices, and other working environments
 - farm houses and by clients in hotels, motels, and other residential type environments
 - bed and breakfast type environments
 - catering and similar non-retail applications

SAVE THESE INSTRUCTIONS

⚠️ WARNING

Suffocation Hazard

Remove doors from your old refrigerator.

Failure to do so can result in death or brain damage.

Important information to know about disposal of refrigerants:

Dispose of refrigerator in accordance with Federal and Local regulations. Refrigerants must be evacuated by a licensed, EPA certified refrigerant technician in accordance with established procedures.



IMPORTANT: Child entrapment and suffocation are not problems of the past. Junked or abandoned refrigerators are still dangerous – even if they will sit for "just a few days." If you are getting rid of your old refrigerator, please follow these instructions to help prevent accidents.

Before You Throw Away Your Old Refrigerator or Freezer:

- Take off the doors.
- Leave the shelves in place so that children may not easily climb inside.

E A S E . S P E E D . S A F E T Y .

With the launch of the first ever JennAir® columns, we reimagined the entire columns installation process, eliminating problems that affect our sub-par competitors. Some of the features professional installers are most excited about:

- **Concealed six-point panel adjustment**
Easy and precise alignment
- **Site-tailored Rotter system shims**
Guide and keep column in position
- **Precision four-point front leveling**
On sturdy rollers that easily bear full weight
- **Metal fascia**
Increases durability
- **Solid wood core stainless steel panels**
Easy to prep and hang and do not require drilling through steel
- **Expanded utility areas**
Reduced changes to replace built-ins or upgrade from competitor columns

And with your help, we'll just keep getting better.

Contact the JennAir Epicenter through jennair.com or at 1-800-JENNAIR (536-6247) to report installation tips and tricks, or to consult with experts who know the installation process inside and out.

WHY WE LOVE JENNAIR INSTALLERS

THEY'RE TOTAL PROFESSIONALS (AND PERFECTIONISTS).

It's all about getting that seamless flush execution, that down-to-the-millimeter adjustment. Flawless installation is incredibly important to the function, appearance and lifetime enjoyment of our products, and our installers make it happen every day.

THEY DO THEIR HOMEWORK. AND HELP US WITH OURS.

These experts know JennAir® products inside and out. They train extensively on JennAir installation, learning the latest techniques and insider tips so they can install our cutting edge appliances with ease. And we value their input, incorporating installer feedback to refine and perfect our installations.

THEY THINK THROUGH EVERY DETAIL OF THE EXPERIENCE.

Above and beyond dedication is the baseline. The JennAir experience starts the minute an installer brings the customer's column home. Keeping the site spotless, taking extreme care with both the appliances and the home and providing an unforgettable introduction to columns is all part of the game plan.

TABLE OF CONTENTS

INTRODUCTION

- 02** SAFETY INSTRUCTIONS
- 06** TOOLS & PARTS
- 08** PRODUCT DIMENSIONS
- 10** OPENING DIMENSIONS
- 12** SITE PREP

PREPARATION

- 16** SECTION 1 // COLUMN
- 21** SECTION 2 // FURNITURE

COLUMN

- 28** SECTION 3 // INSTALLATION

TOE-KICK

- 36** SECTION 4 // COLUMN PREPARATION
- 42** SECTION 5 // CUSTOM WOOD PREPARATION
- 46** SECTION 6 // STAINLESS STEEL PREPARATION
- 49** SECTION 7 // ALIGNMENT AND INSTALLATION

PANEL

- 55** SECTION 8 // CUSTOM WOOD PREPARATION
- 60** SECTION 9 // STAINLESS STEEL PREPARATION
- 63** SECTION 10 // HANGING AND ADJUSTMENT

COMPLETE

- 70** SECTION 11 // COMPLETE INSTALLATION

APPENDIX

- 74** ADDITIONAL SHIM INFORMATION

TABLE DES MATIÈRES

INTRODUCTION

- 76** INSTRUCTIONS DE SÉCURITÉ
- 80** OUTILS ET PIÈCES
- 82** DIMENSIONS DU PRODUIT
- 84** DIMENSIONS DE L'OUVERTURE
- 86** PRÉPARATION DE L'EMPLACEMENT

PRÉPARATION

- 90** SECTION 1 // RÉFRIGÉRATEUR INTÉGRÉ EN COLONNE
- 95** SECTION 2 // MEUBLE

RÉFRIGÉRATEUR INTÉGRÉ EN COLONNE

- 102** SECTION 3 // INSTALLATION

PLINTHE

- 110** SECTION 4 // PRÉPARATION DE L'APPAREIL
- 116** SECTION 5 // PRÉPARATION DU PANNEAU EN BOIS PERSONNALISÉ
- 120** SECTION 6 // PRÉPARATION DU PANNEAU EN ACIER INOXYDABLE
- 123** SECTION 7 // ALIGNEMENT ET INSTALLATION

PANNEAU

- 129** SECTION 8 // PRÉPARATION DU PANNEAU EN BOIS PERSONNALISÉ
- 134** SECTION 9 // PRÉPARATION DU PANNEAU EN ACIER INOXYDABLE
- 137** SECTION 10 // SUSPENSION ET AJUSTEMENT

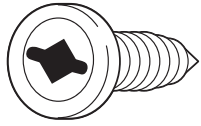
TERMINER

- 144** SECTION 11 // TERMINER L'INSTALLATION

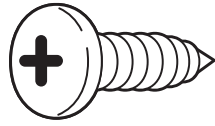
ANNEXE

- 148** INFORMATIONS SUPPLÉMENTAIRES SUR LES CALES

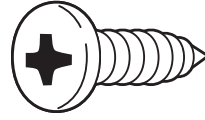
TOOLS + PARTS PROVIDED



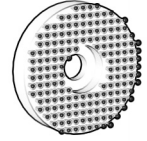
#2 Square-drive screws
(3-24004-079)



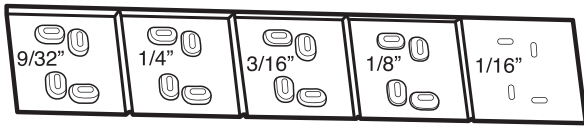
8-18 x 3/4 Phillips head screws
(W11041176)



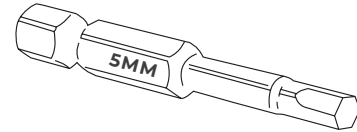
6-20 x .375 screws
(246131)



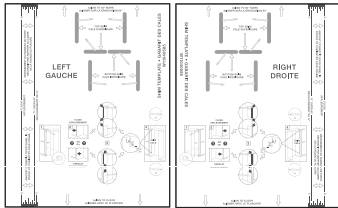
Gripping pads
(W10840464)



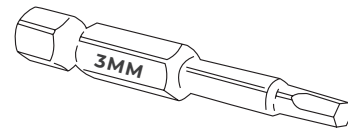
Four installation shims
(W10913387)



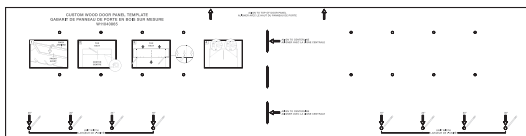
5 mm driver bit
(W11121505)



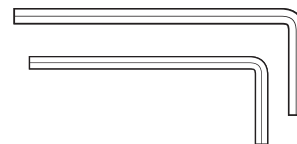
Shim installation template
(W11040585)



3 mm driver bit
(W11121512)



Toe-kick and door panel installation template
(W11040865)



3 mm Allen wrench
5 mm Allen wrench



READ AND FOLLOW THE INSTRUCTIONS PROVIDED WITH
ANY OF THE TOOLS LISTED

TOOLS + PARTS

NOT PROVIDED

TOOLS

- Cordless drill and drill bits or impact driver
- Drill bit set including 3/32" and 1/8" diameter bits
- Two adjustable wrenches
- #2 Phillips bit
- 1/4" magnetic nut driver
- #2 square-drive bit
- 48" or longer level or straight edge
- 3/8" and 1/2" open-end wrenches
- Tape measure
- Utility knife
- Masking tape
- Appliance dolly
- Right angle drill adapter
- 6" drill extension
- #8 pan head wood screws of assorted lengths including 1", 1-1/4", 1-1/2"

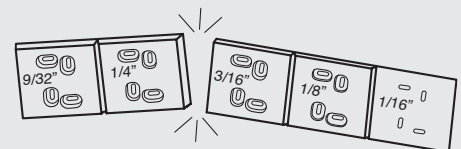
PARTS

- Flexible code-approved water supply line
- Custom door overlay panels
 - Stainless steel panels: order from JennAir
 - Custom wood panels: consult a qualified cabinetmaker or carpenter
- Additional fasteners will be required according to the kitchen furniture construction

WHY USE ROTTER SYSTEM SHIMS?

This recommended process might be unfamiliar to you as an installer, but it adds enormous value to both you and your client. Use the Rotter system to:

- Help position column without scratching
- Create precise 1/8" reveals on each side
- Always have ready-made shims tailored to each site
- Keep column stable in cutout over lifetime
- Eliminate misalignment issues for your client



DIMENSIONS

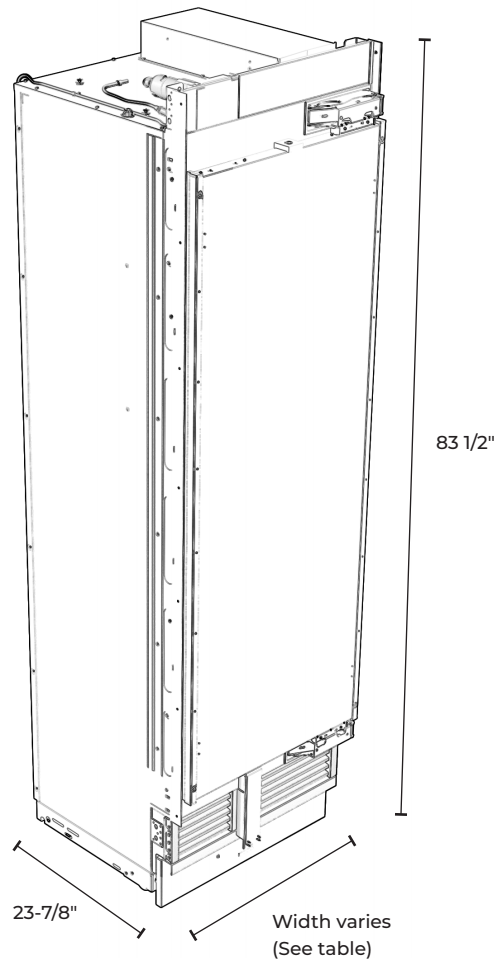
PRODUCT

OVERALL PRODUCT (NO PANEL)

Width	See unit width table below
Height	83-1/2" (212 cm)
Depth	23-7/8" (60.6 cm)
Raw Door Height	62-3/16" (157.9 cm)
Toe-kick Height	3-9/16" (9.1 cm)
Toe-kick Depth	3-1/4" – 4-7/8" (8.3 cm-12.4 cm)

PRODUCT WIDTH

Model	Width
18" JBZFR18IGX JBZFL18IGX	17-3/4" (45.1 cm)
24" JBRFR24IGX JBRFL24IGX JBZFR24IGX JBZFL24IGX	23-3/4" (60.3 cm)
30" JBRFR30IGX JBRFL30IGX JBZFR30IGX JBZFL30IGX	29-3/4" (75.6 cm)
36" JBRFR36IGX JBRFL36IGX	35-3/4" (90.8 cm)



DIMENSIONS

ACCESSORIES

STAINLESS STEEL PANEL

Height	80" (203.2 cm)
Thickness	13/16" (2.1 cm)

CUSTOM TOE-KICK

Height	3-9/16" (9.1 cm)
Thickness	3/16"-3/4" (.47 cm-1.9 cm)

CUSTOM PANEL

Thickness	3/4" (1.9 cm) max.
Weight	60 lbs. (27.2 kg) max.
Typical Height	80" (203.2 cm)

DOOR STYLE

CUSTOM PANEL WIDTH

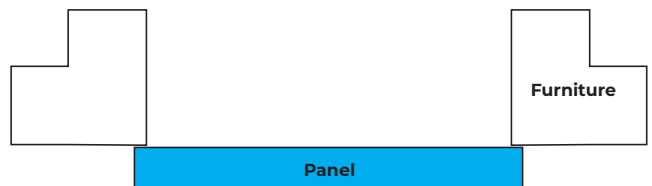
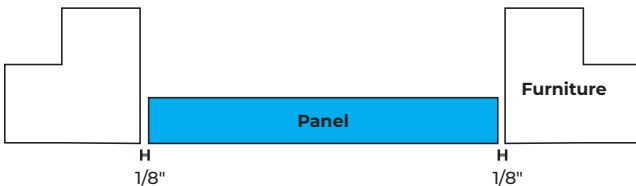
⚠ CAUTION

Pinch Hazard

Installation of door panels with less than a 3/8" (0.95 cm) gap between the door panel and the adjacent cabinet increases the risk of potential pinching.

MODEL	FLUSH WIDTH
18"	17-3/4" (45.1 cm)
24"	23-3/4" (60.3 cm)
30"	29-3/4" (75.6 cm)
36"	35-3/4" (90.8 cm)

MODEL	OVERLAY WIDTH
18"	19" (48.3 cm)
24"	25" (63.5 cm)
30"	31" (78.7 cm)
36"	37" (94 cm)

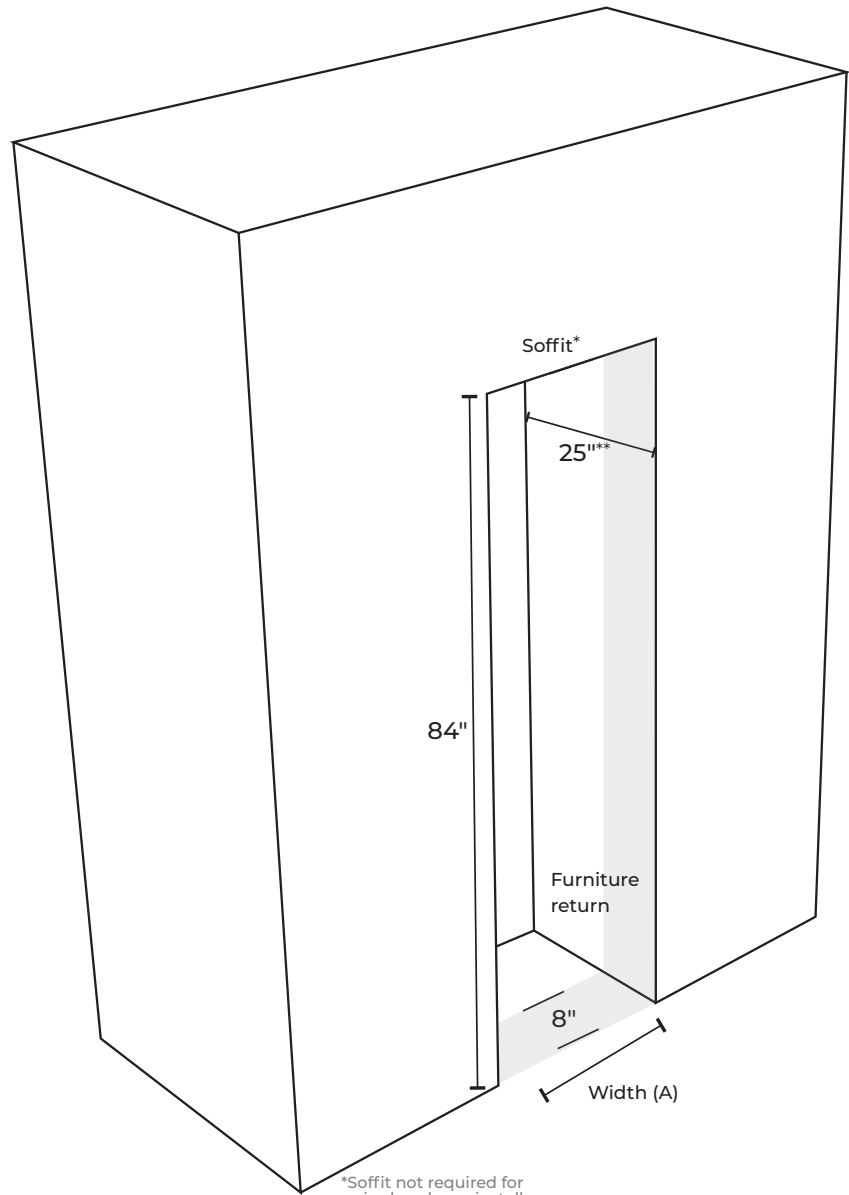


DIMENSIONS

OPENING

OPENING WIDTH

Model	Width (A)
18" JBZFR18IGX JBZFL18IGX	18" (45.7 cm)
24" JBRFR24IGX JBRFL24IGX JBZFR24IGX JBZFL24IGX	24" (61 cm)
30" JBRFR30IGX JBRFL30IGX JBZFR30IGX JBZFL30IGX	30" (76.2 cm)
36" JBRFR36IGX JBRFL36IGX	36" (91.4 cm)



*Soffit not required for a single column install
**24" with 24" trim kit

DIMENSIONS

OPENING

⚠ CAUTION

Pinch Hazard

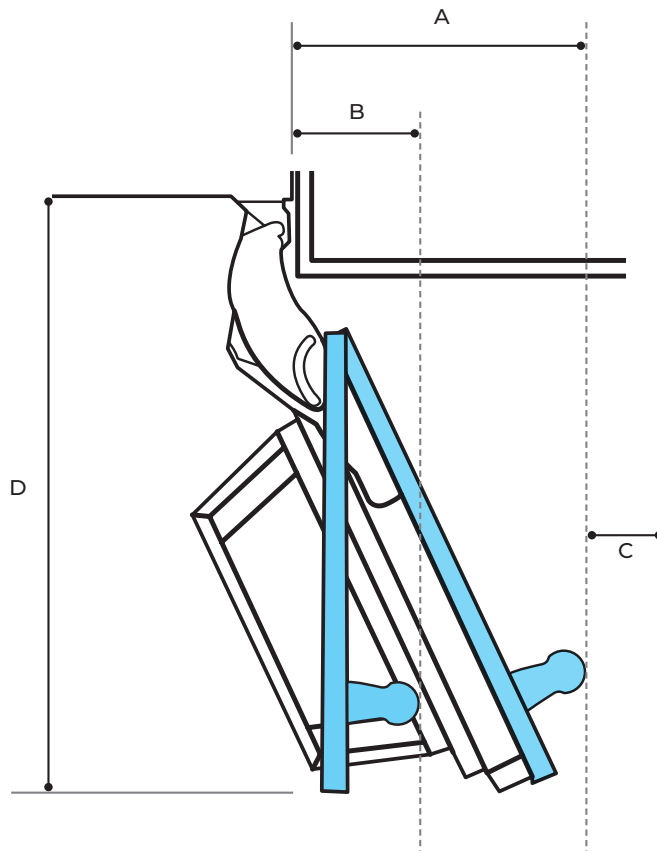
Installation of door panels with less than a $\frac{3}{8}$ " (0.95 cm) gap between the door panel and the adjacent cabinet increases the risk of potential pinching.

DOOR SWING REQUIREMENTS

Model	115° Door Swing "A"	90° Door Swing "B"	Wall Gap "C"	Door Open Depth "D"
18"	10-1/2" (26.7 cm)	5" (12.7 cm)	2-1/2" (6.4 cm)	44-1/2" (113 cm)
24"	13" (33 cm)	5" (12.7 cm)	2-1/2" (6.4 cm)	50-1/2" (128.3 cm)
30"	15-1/2" (39.4 cm)	5" (12.7 cm)	2-1/2" (6.4 cm)	56-3/8" (143 cm)
36"	18" (45.7 cm)	5" (12.7 cm)	2-1/2" (6.4 cm)	62-7/16" (158.6 cm)

Dimensions give 2-1/2" spacing between stainless steel handle accessory and wall to avoid pinching.

For a custom wood panel, consider handle depth to maintain 2-1/2" spacing.



SITE PREP

1. CHECK THE FURNITURE

- Measure to make sure all opening dimensions are correct. (See previous page.)
- Side panel construction: 3/4" (1.9 cm) thick plywood
IMPORTANT: Cannot be constructed of pressed fiber material such as MDF.
- Soffit height (if present): 84" (213.4 cm)

⚠ WARNING



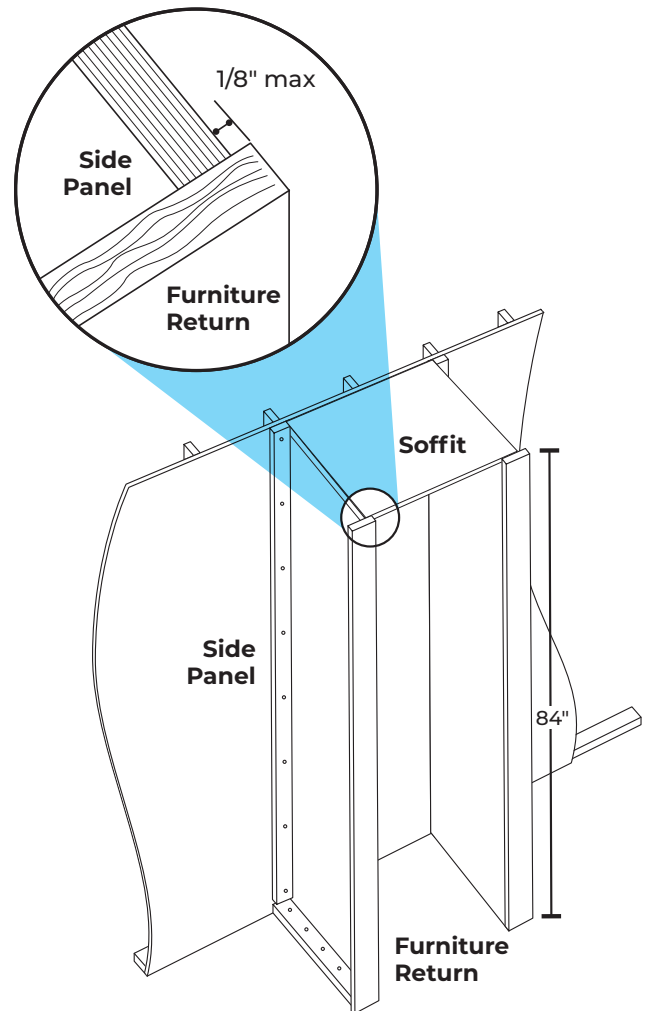
Explosion Hazard

Keep flammable materials and vapors, such as gasoline, away from refrigerator.

Failure to do so can result in death, explosion, or fire.

2. CHECK THE INSTALLATION SITE

- Away from ovens, radiators or other heat sources.
- Temperature will not fall below 55° F (13° C).
- Floor supports more than 600 lbs. (272 kg) plus door panel and contents weight.
- Floor level with the room.
- Furniture face plumb.



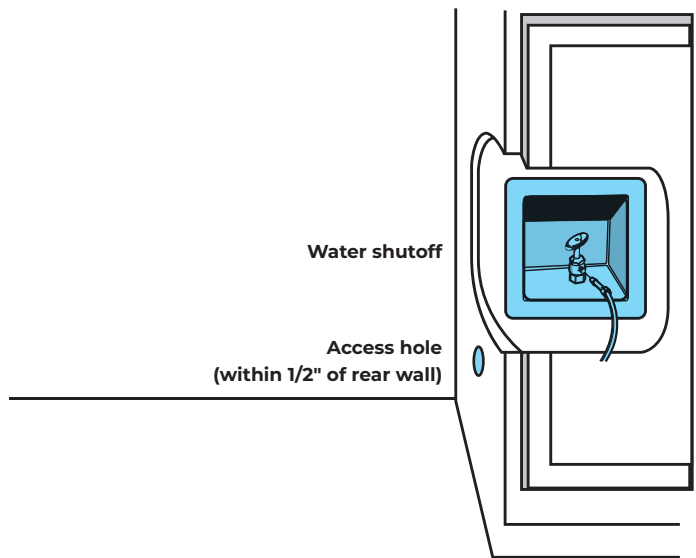
SITE PREP

3. CHECK THE WATER SUPPLY

- Water supply meets local plumbing codes.
- Water shutoff in base cabinet, as shown, or accessible area.
- Access hole through the cabinet is within 1/2" (1.3 cm) of the rear wall.
- Install any additional tubing only where temperatures remain above freezing. Check for leaks.
- Not using a piercing-type or 3/16" (4.76 mm) saddle valve. See refrigerator dealer for saddle-type valve kit that complies with local plumbing codes.
- If water pressure to reverse osmosis system is less than 40 to 60 psi (276 to 414 kPa):
 - Check sediment filter to see if it is blocked. Replace filter if necessary.
 - Allow the storage tank to refill after heavy usage.
 - Remove the water filter cartridge. No filter bypass is necessary.

WATER SUPPLY REQUIREMENTS

Water Pressure	30 – 120 psi (207 – 827 kPa)
Water Pressure to Reverse Osmosis System	Minimum 40 – 60 psi (276 – 414 kPa)
Excess Water Line for Connection	30" (76.2 cm)
Supply	1/4" OD copper, braided stainless steel or PEX tubing



? IF YOU HAVE QUESTIONS ABOUT YOUR WATER SUPPLY, CALL A LICENSED, QUALIFIED PLUMBER

SITE PREP

⚠ WARNING



Electrical Shock Hazard

Plug into a grounded 3 prong outlet.

Do not remove ground prong.

Do not use an adapter.

Do not use an extension cord.

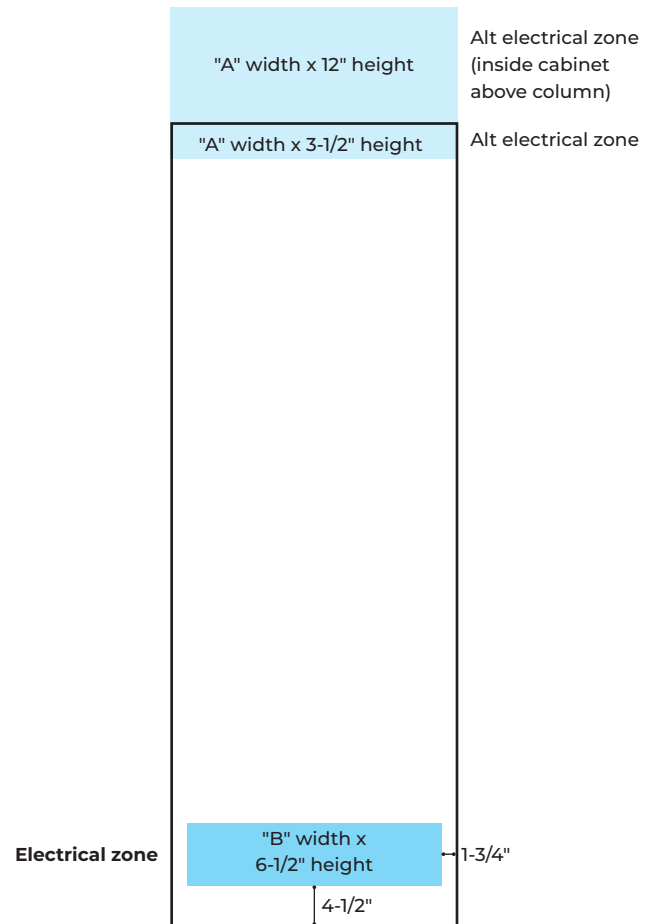
Failure to follow these instructions can result in death, fire, or electrical shock.

4. CHECK THE ELECTRICAL

- Column on a separate circuit. Outlet cannot be turned off by a switch.
- Not using an extension cord.
- Not using a GFCI protected outlet.
- Electrical installed in the zones highlighted. (See graphic to the right.)

ELECTRICAL REQUIREMENTS

Product Width/ Alternate Electrical Zone Width "A"	Electrical Zone Width "B"
18" (45.7 cm)	14-1/2" (36.8 cm)
24" (61 cm)	20-1/2" (52 cm)
30" (76.2 cm)	26-1/2" (67.3 cm)
36" (91.4 cm)	32-1/2" (82.6 cm)



IF YOU HAVE QUESTIONS ABOUT YOUR ELECTRICAL SUPPLY, CALL A LICENSED, QUALIFIED ELECTRICIAN

SITE PREP

5. PRE-INSTALLATION CHECK

- Verify customer's selected door style.
- Remove all installation materials from the deli drawer.
- Mark selected door style on templates and door depth gauges with a permanent marker.
- Verify that the diagonal measurements of opening match.
- Check design considerations document to verify panel and toe-kick dimensions, as well as gaps and overlays.

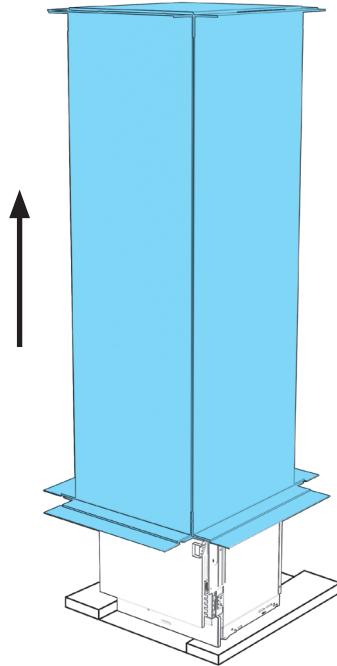
C O L U M N

PREPARATION



1.1

UNCRATE COLUMN, DISCARD CARTON.



REMOVE INSTALLATION KIT FROM DELI DRAWER WHILE ON SKIDS

BEFORE MOVING COLUMNS, REVIEW ALL WARNINGS.

⚠ WARNING



Tip Over Hazard

Refrigerator is top heavy and tips easily when not completely installed.

Keep doors taped closed until refrigerator is completely installed.

Use two or more people to move and install refrigerator.

Failure to do so can result in death or serious injury.

When Moving Your Refrigerator:

Your refrigerator is heavy. When moving the refrigerator for cleaning or service, be sure to cover the floor with cardboard or hardboard to avoid floor damage. Always pull the refrigerator straight out when moving it. Do not wiggle or “walk” the refrigerator when trying to move it, as floor damage could occur.

Important information to know about glass shelves and covers:

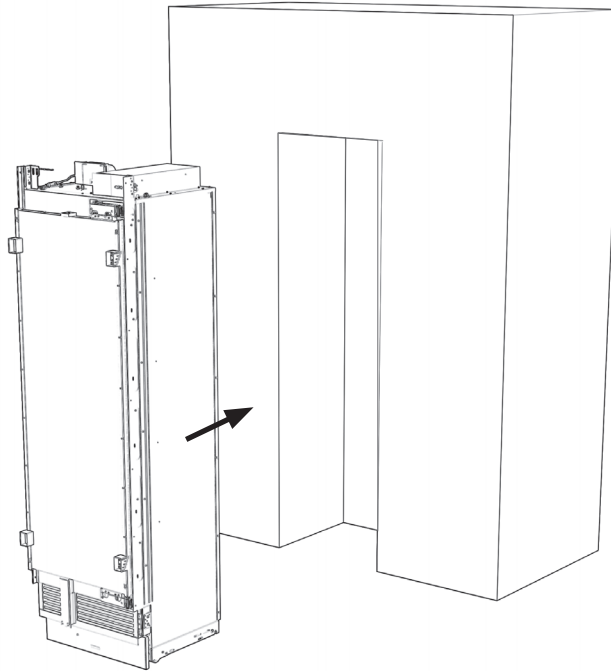
Do not clean glass shelves or covers with warm water when they are cold. Shelves and covers may break if exposed to sudden temperature changes or impact, such as bumping. Tempered glass is designed to shatter into many small, pebble-size pieces. This is normal. Glass shelves and covers are heavy. Use both hands when removing them to avoid dropping.

1

COLUMN PREPARATION

1.2

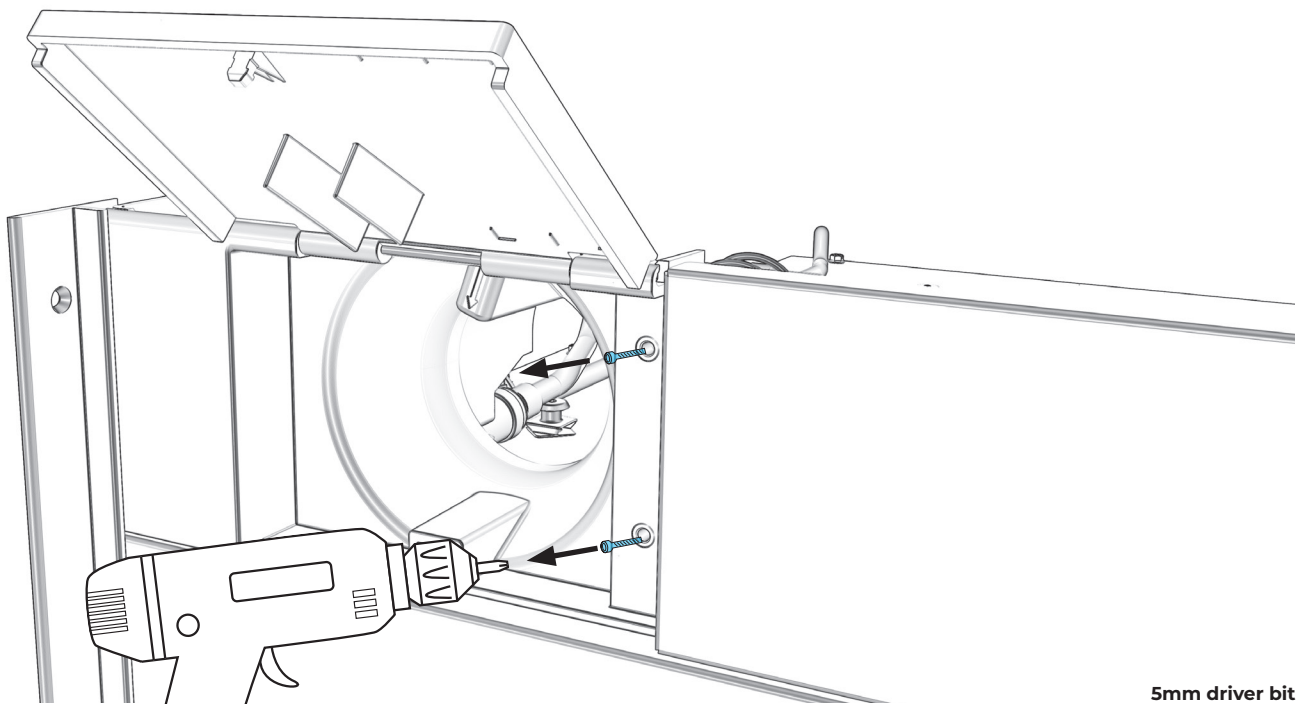
MOVE COLUMN IN FRONT OF OPENING.



USE TWO PEOPLE. DO NOT OPEN DOOR UNTIL COLUMN IS SECURED

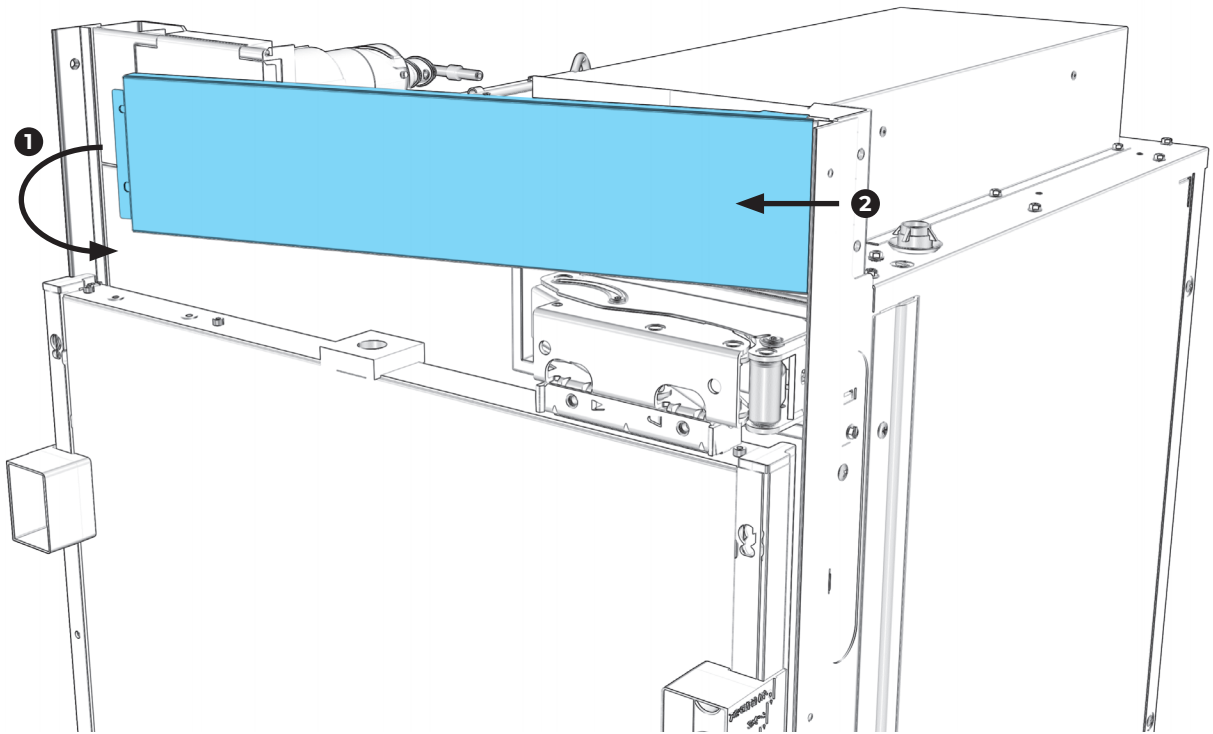
1.3

REMOVE BOTH WATER FILTER SCREWS.

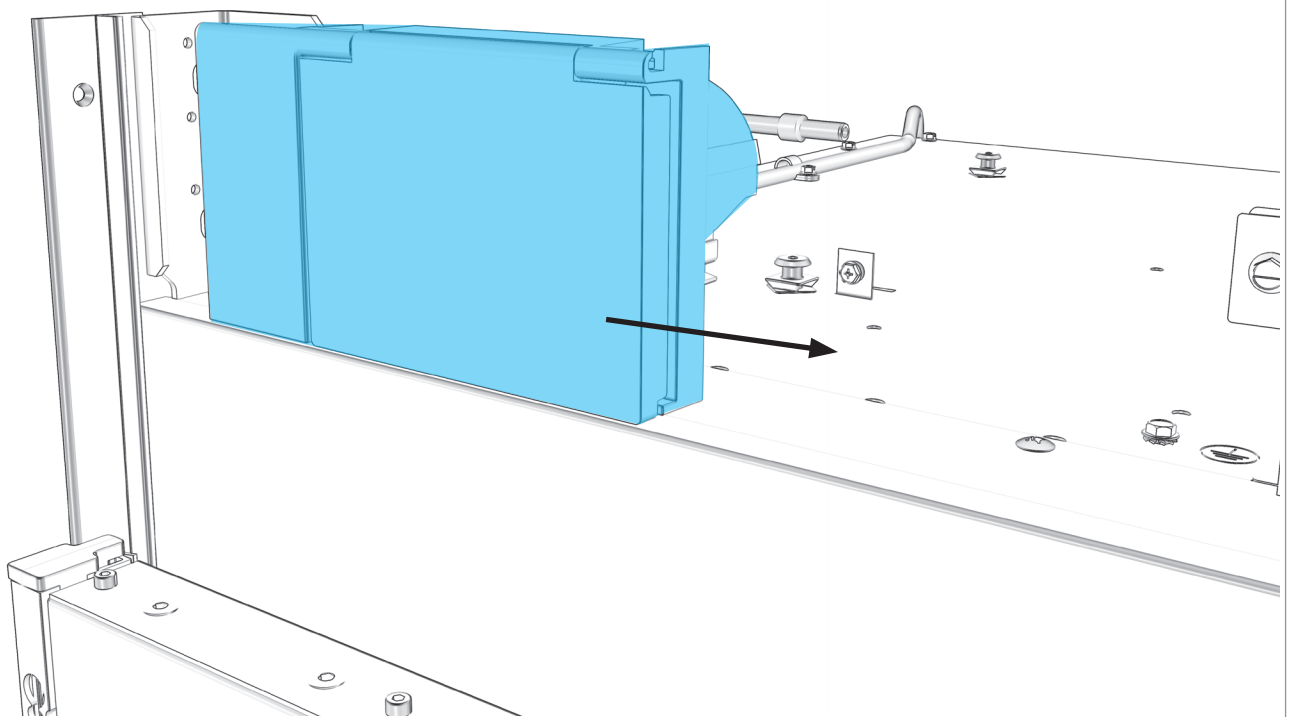


5mm driver bit

1.4 PULLING LEFT, REMOVE FACEPLATE.

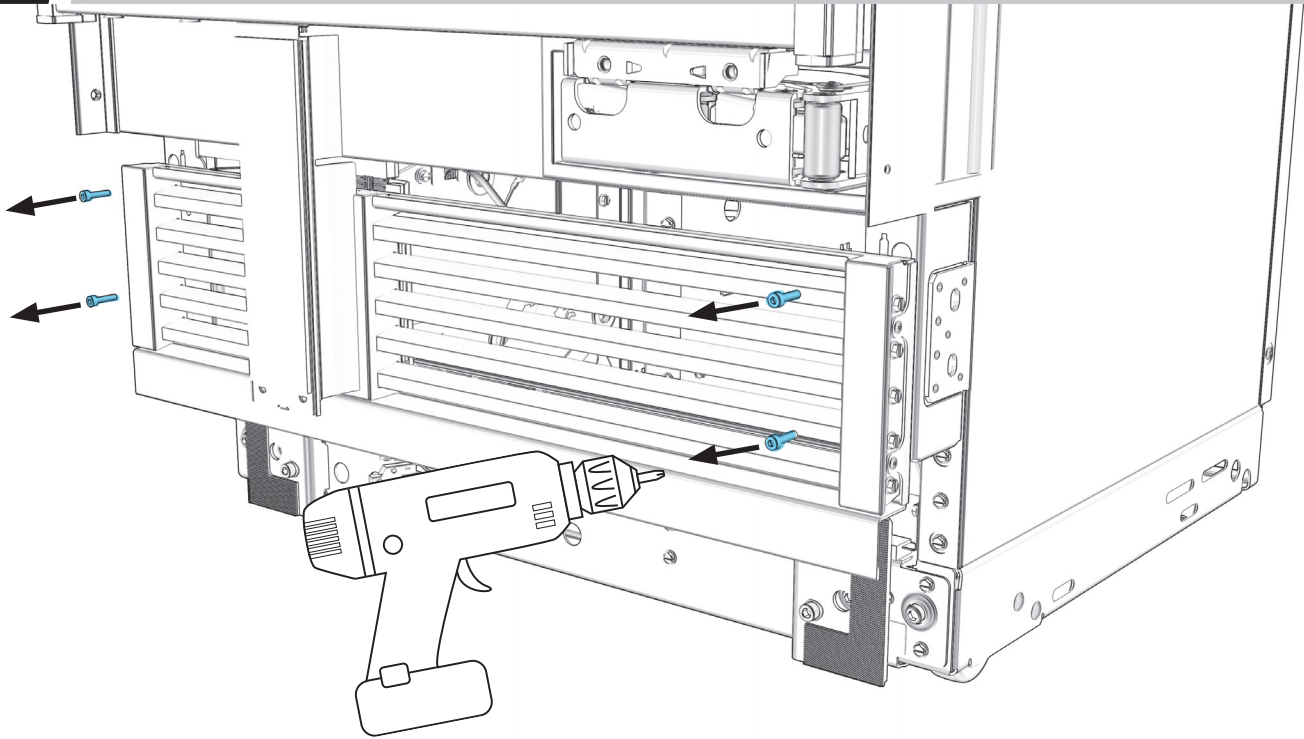


1.5 PULL HOUSING FORCEFULLY RIGHT, REMOVE.



1.6

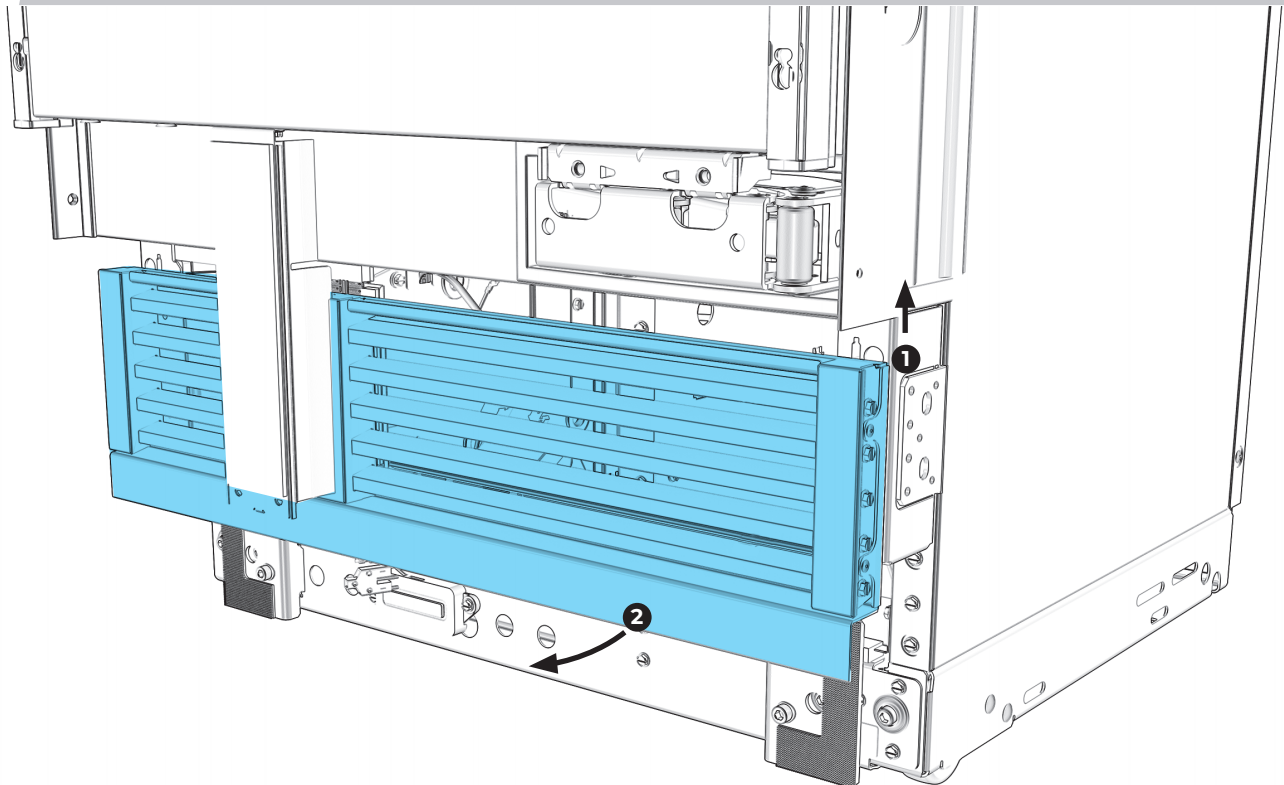
REMOVE FOUR AIR GRILLE SCREWS.



5mm driver bit

1.7

REMOVE BASE AIR GRILLE.



FURNITURE

PREPARATION

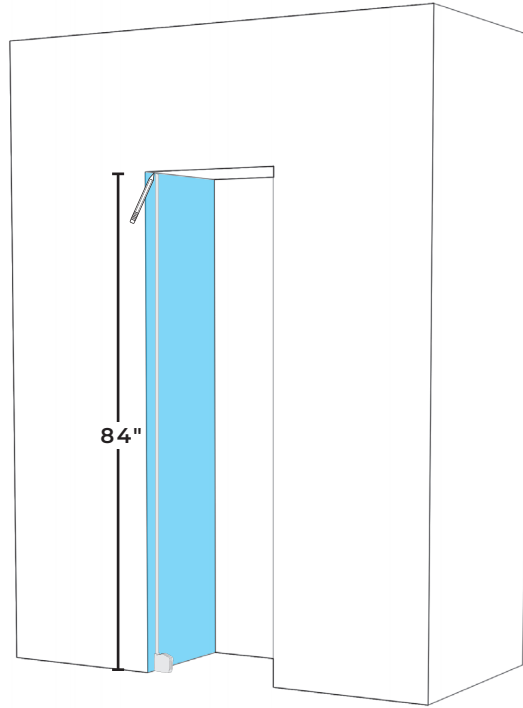


2

FURNITURE PREPARATION

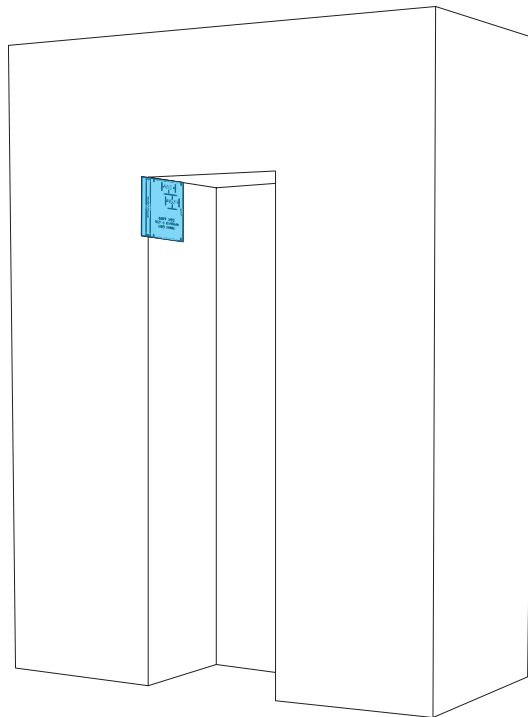
2.1

MEASURE AND MARK LEFT PANEL LINE.



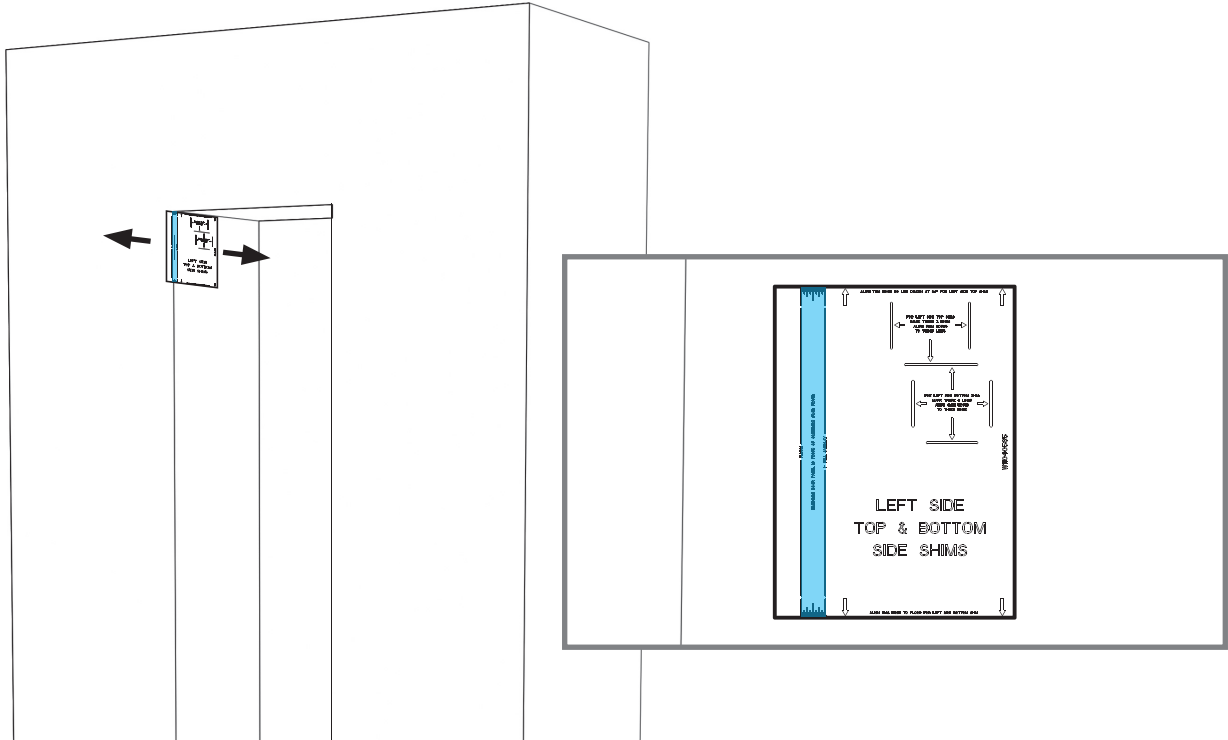
2.2

POSITION TEMPLATE ON LEFT PANEL.



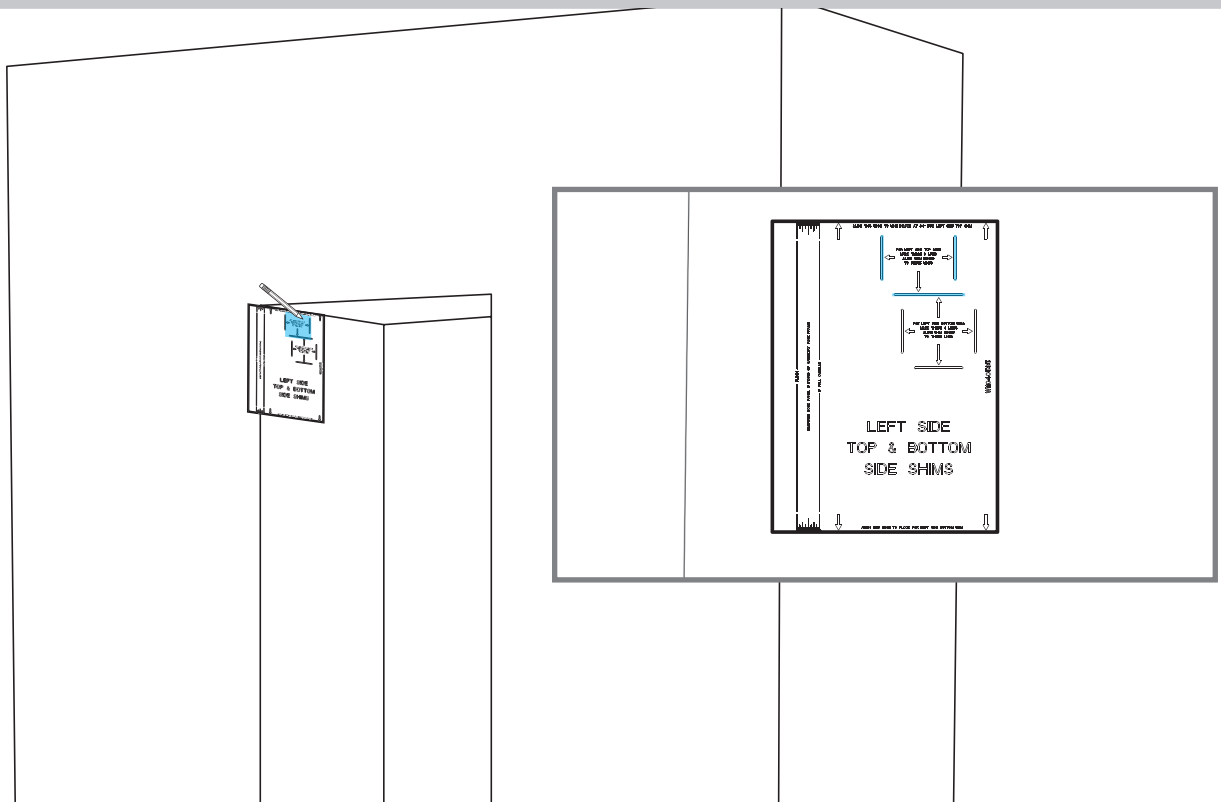
2.3

ALIGN DOOR STYLE LINE WITH CABINET FACE.



2.4

MARK TOP SHIM ALIGNMENT LINES.

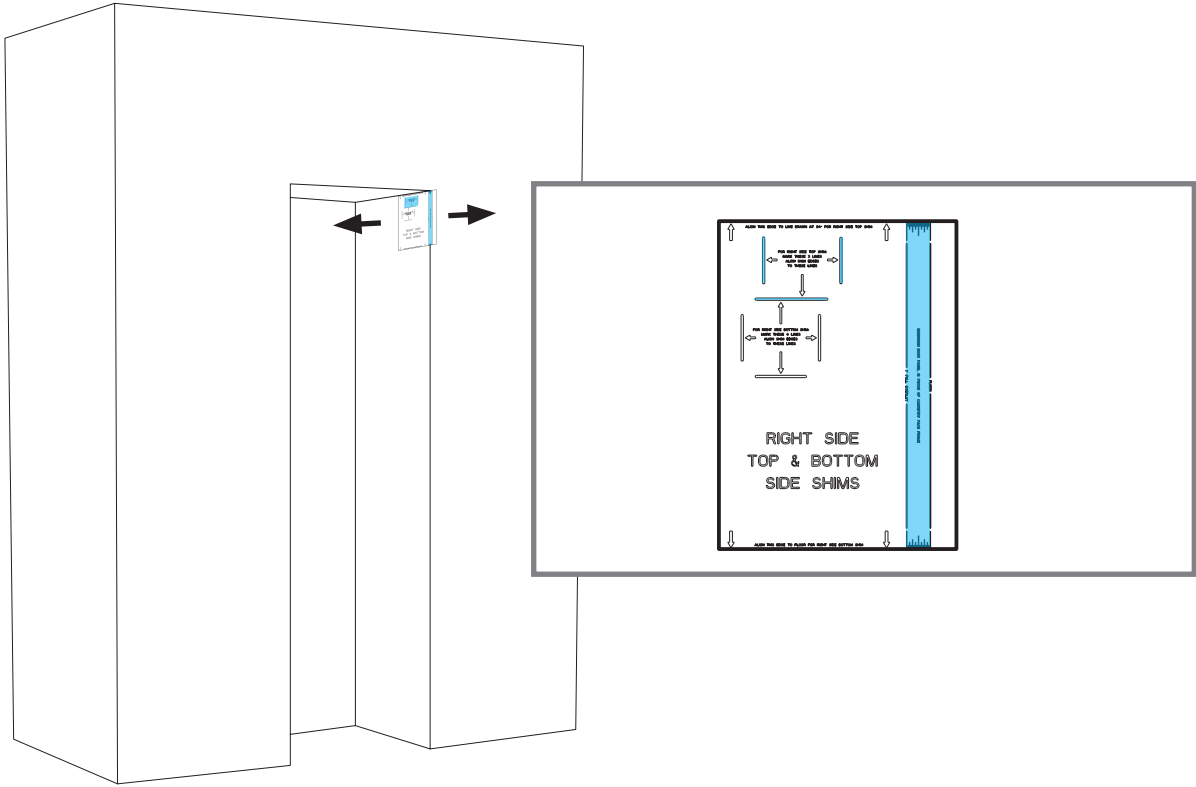


2

FURNITURE PREPARATION

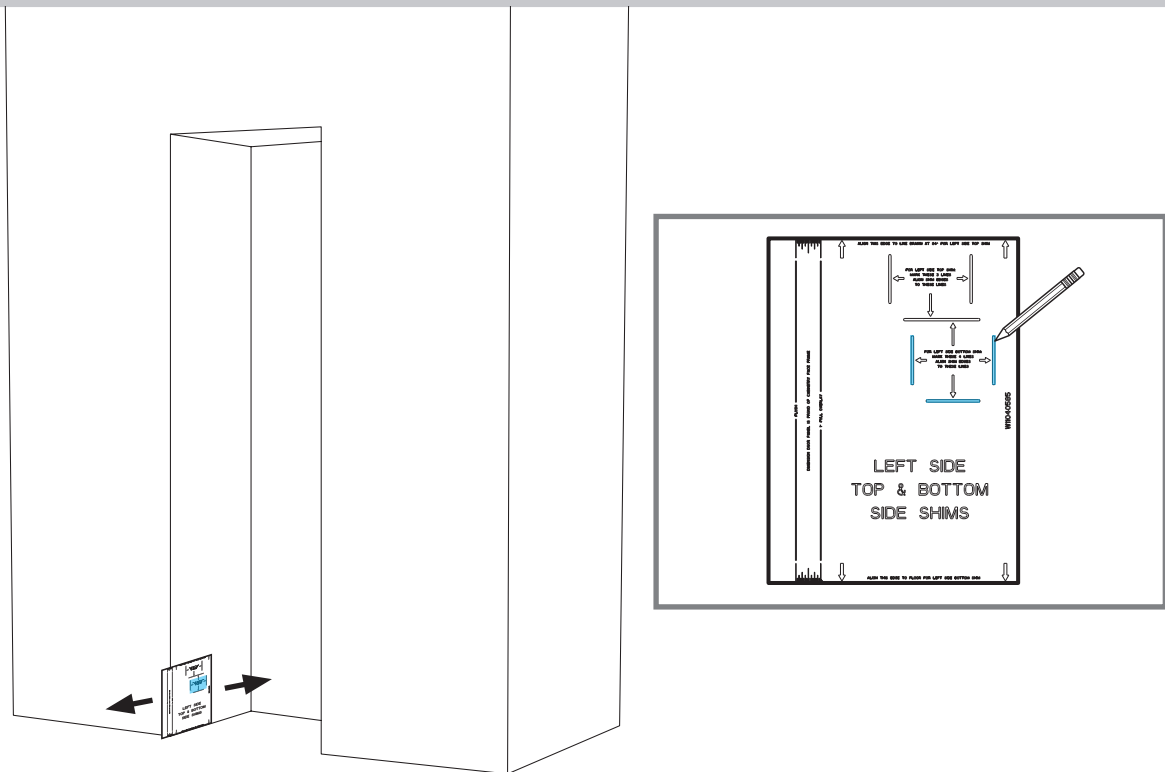
2.5

REPEAT 2.1-2.4 ON RIGHT PANEL.



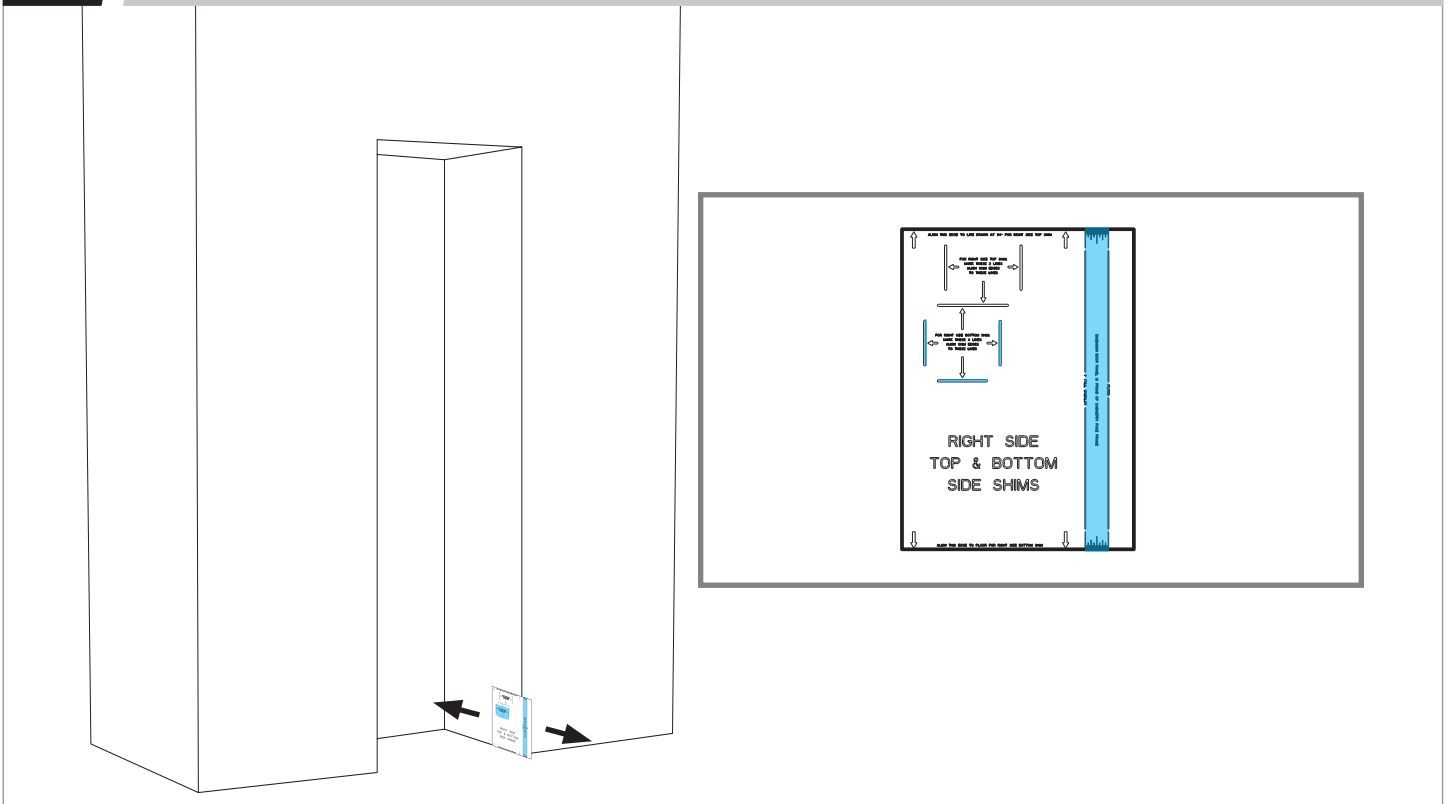
2.6

POSITION AND ALIGN TEMPLATE ON BOTTOM LEFT PANEL, MARKING SHIM ALIGNMENT LINES.



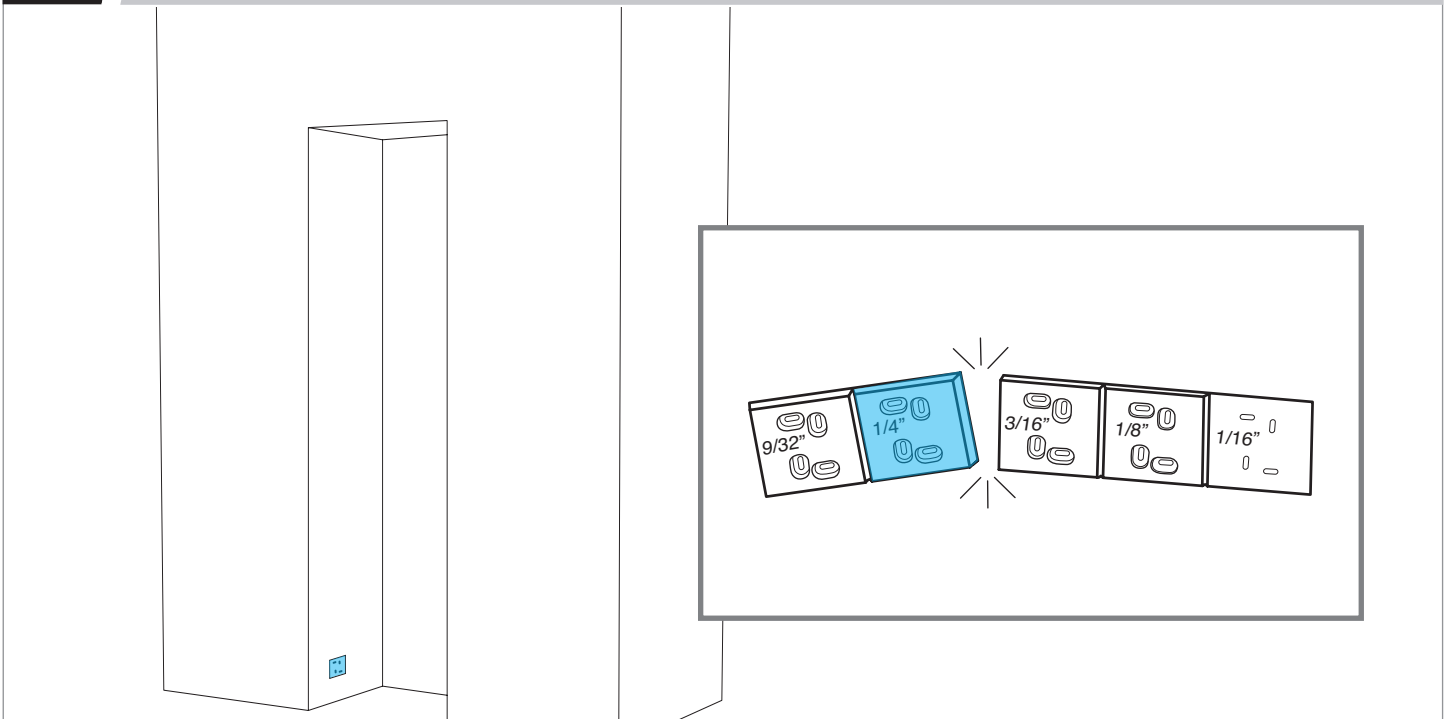
2.7

REPEAT STEP 2.6 ON RIGHT PANEL.



2.8

CRACK APART ROTTER SHIMS, ADHERE TO FOOTPRINTS.



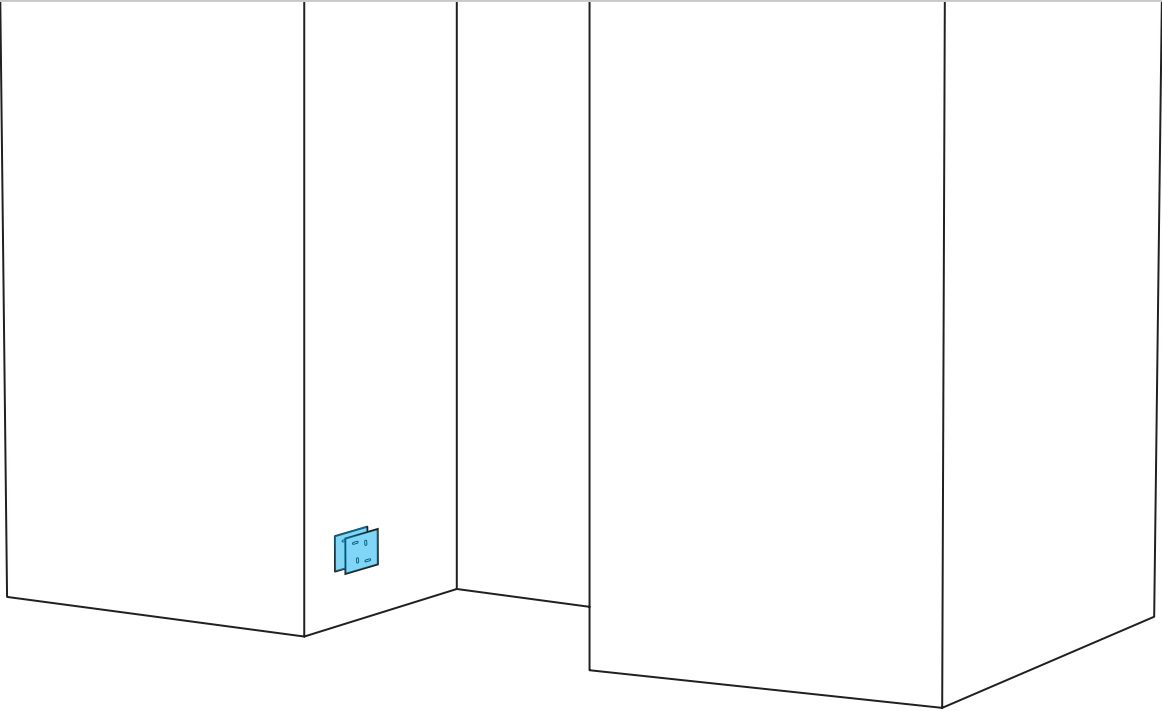
USE AT LEAST ONE 1/4" SHIM ON EACH FOOTPRINT

2

FURNITURE PREPARATION

2.9

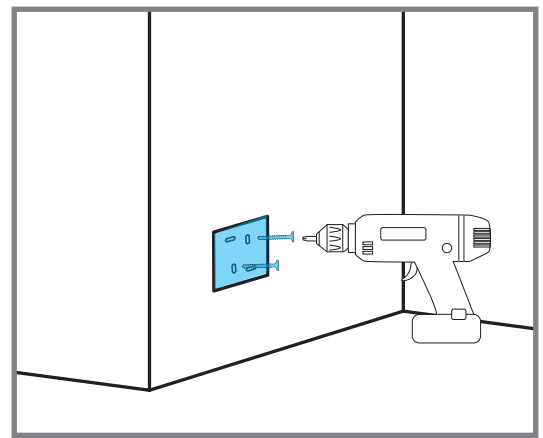
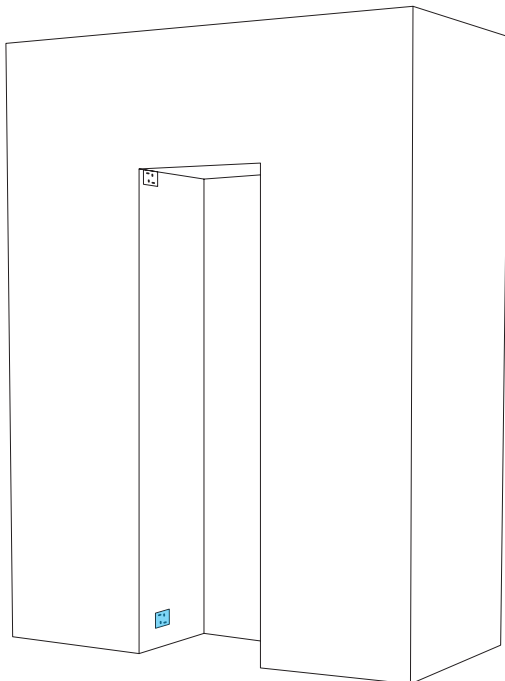
STACK ADDITIONAL SHIMS AS NEEDED.



SEE ADDITIONAL SHIM EQUATION IN APPENDIX

2.10

SECURE SHIMS TO SIDE PANELS.



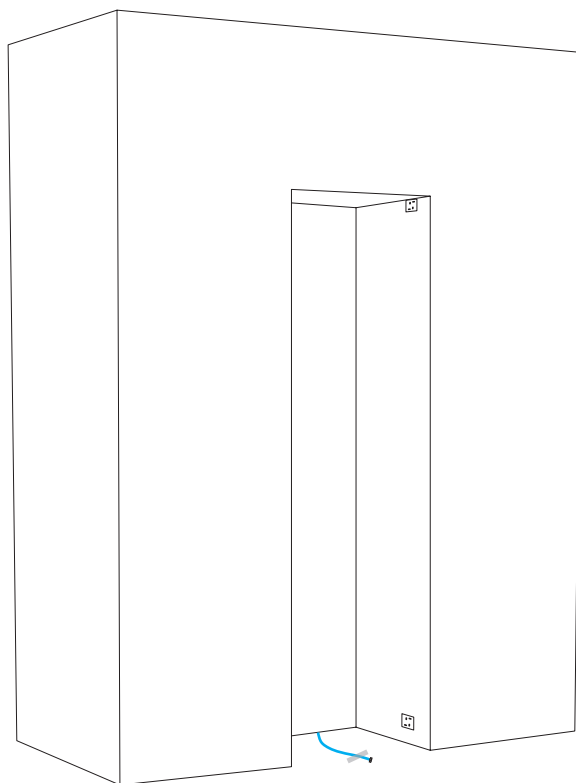
1/4" min. wood screws



USE A MINIMUM OF TWO WOOD SCREWS

2.11

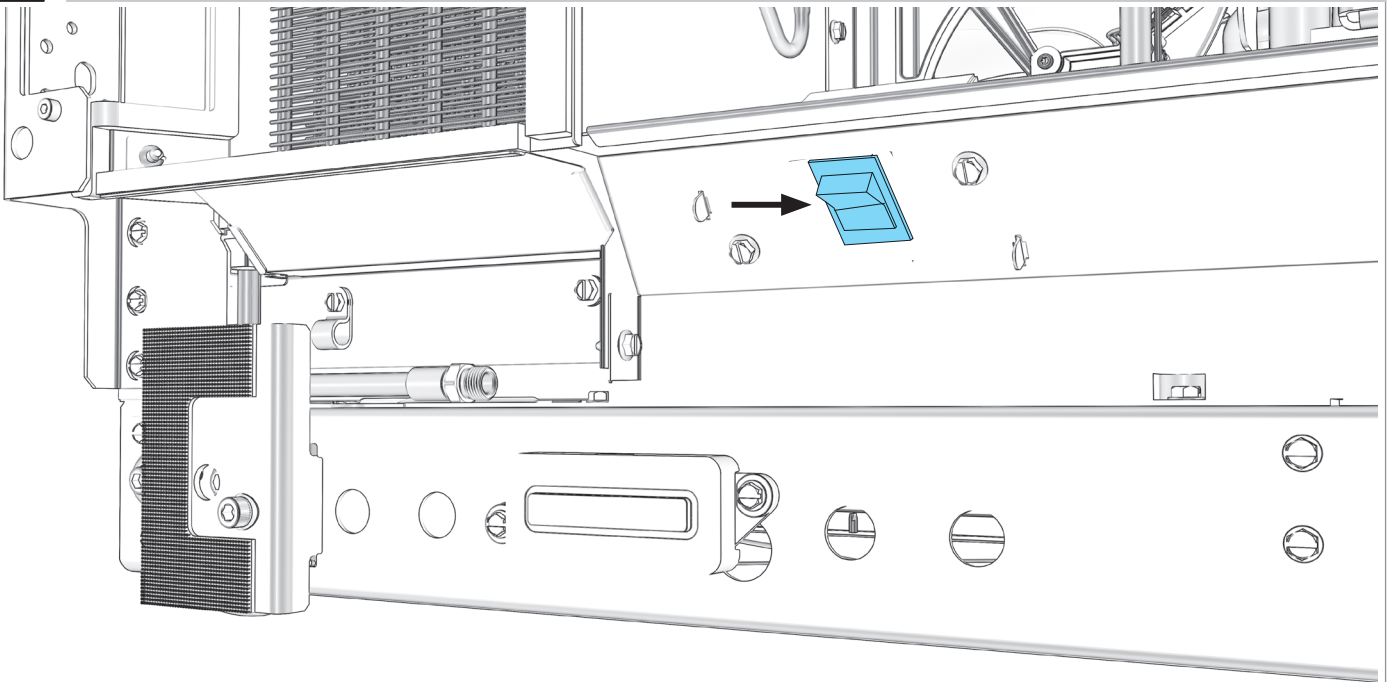
TAPE WATER LINE TO FLOOR.



C O L U M N

INSTALLATION

3.1 SWITCH COLUMN OFF.



BEFORE PLUGGING IN COLUMN, READ WARNING.

⚠ WARNING



Electrical Shock Hazard

Plug into a grounded 3 prong outlet.

Do not remove ground prong.

Do not use an adapter.

Do not use an extension cord.

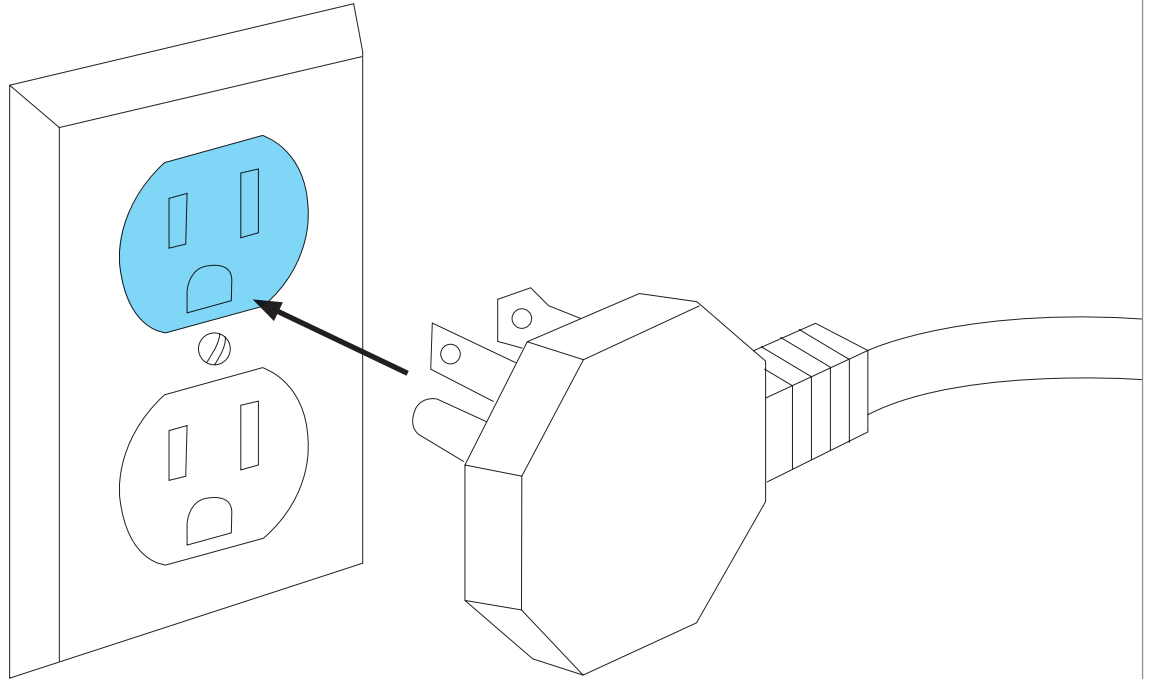
Failure to follow these instructions can result in death, fire, or electrical shock.

3

COLUMN INSTALLATION

3.2

PLUG INTO GROUNDED 3 PRONG OUTLET.



BEFORE MOVING COLUMN, READ WARNING.

WARNING



Tip Over Hazard

Refrigerator is top heavy and tips easily when not completely installed.

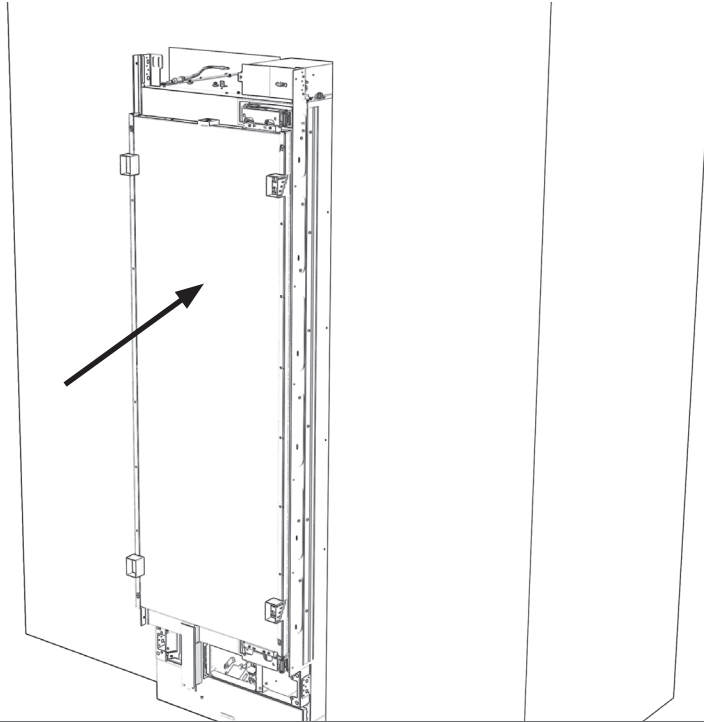
Keep doors taped closed until refrigerator is completely installed.

Use two or more people to move and install refrigerator.

Failure to do so can result in death or serious injury.

3.3

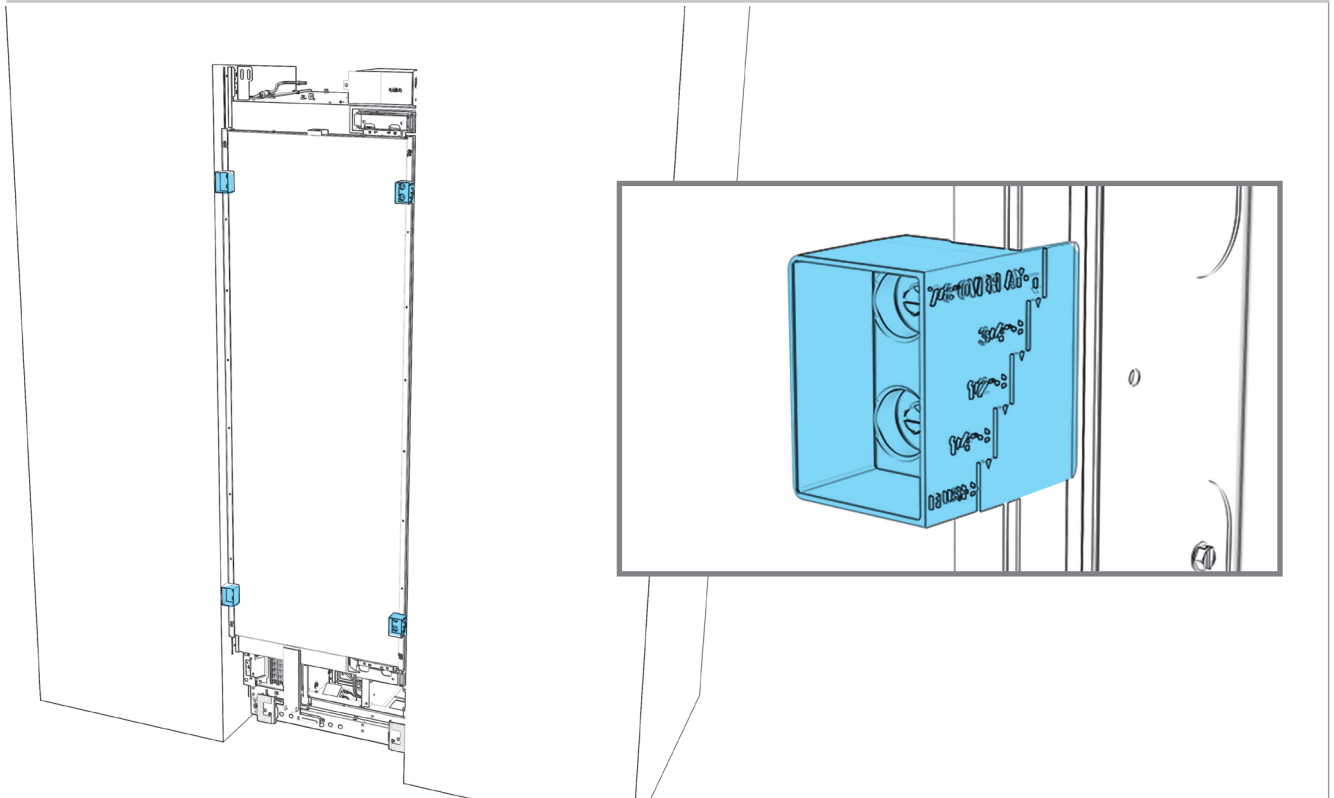
MOVE COLUMN INTO THE CUTOUT.



DO NOT DAMAGE THE WATER LINE

3.4

USE DEPTH GAUGES TO ALIGN.

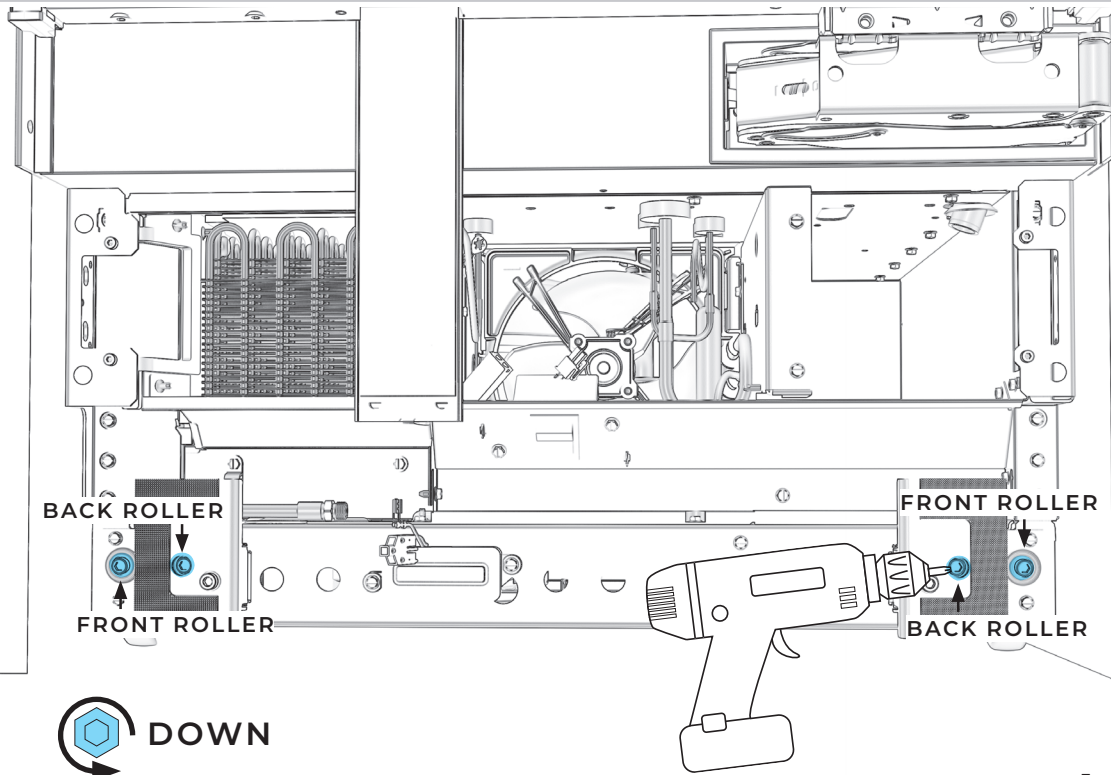


3

COLUMN INSTALLATION

3.5

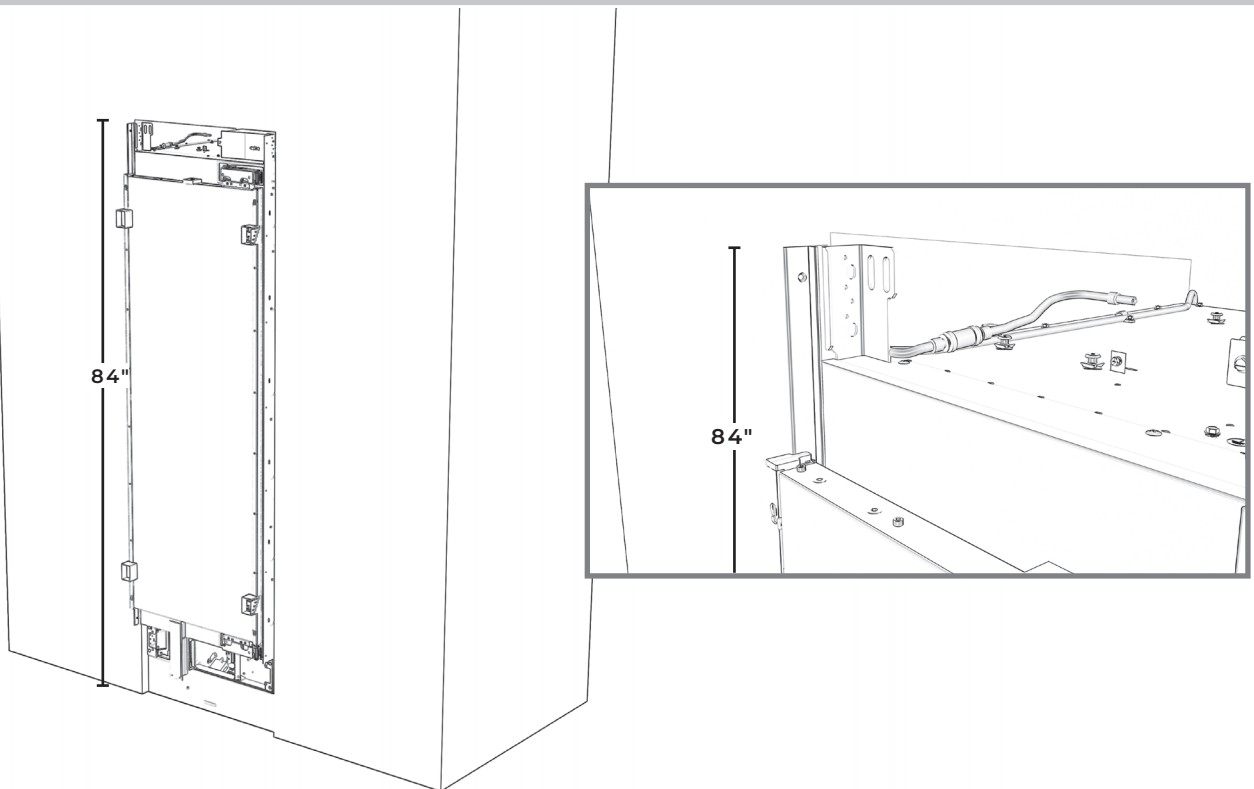
EXTEND LEVELING ROLLERS INDIVIDUALLY.



5mm driver bit

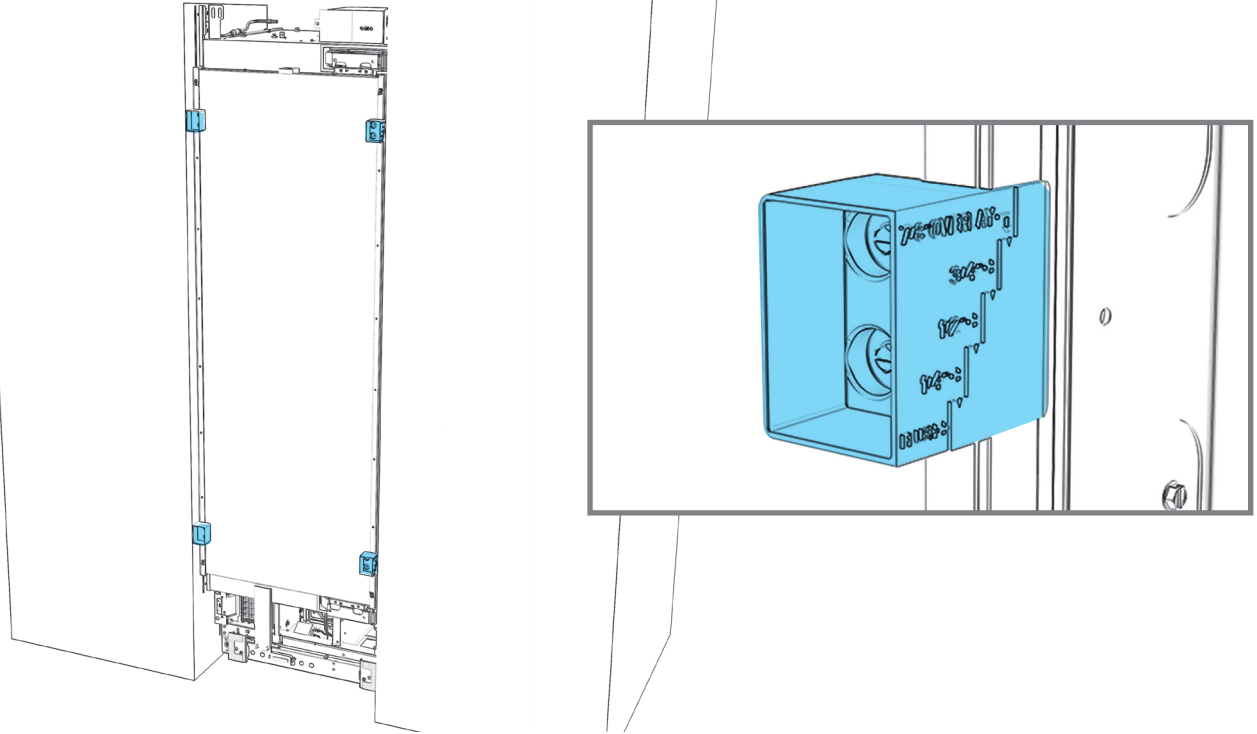
3.6

MAKE SURE INSTALLATION BRACKET ALIGNS WITH 84" LINE.



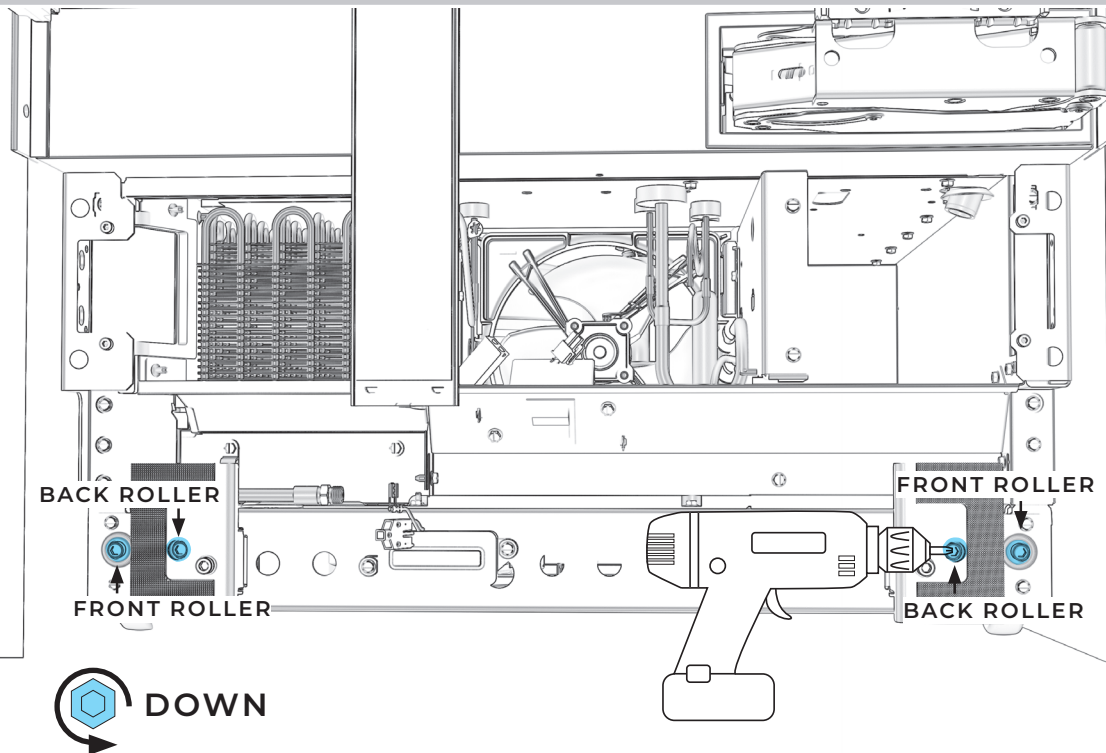
3.7

CHECK THAT DEPTH GAUGES INDICATE SAME DEPTH.



3.8

EXTEND LEVELING ROLLERS INDIVIDUALLY, UNTIL DEPTH GAUGES MATCH.



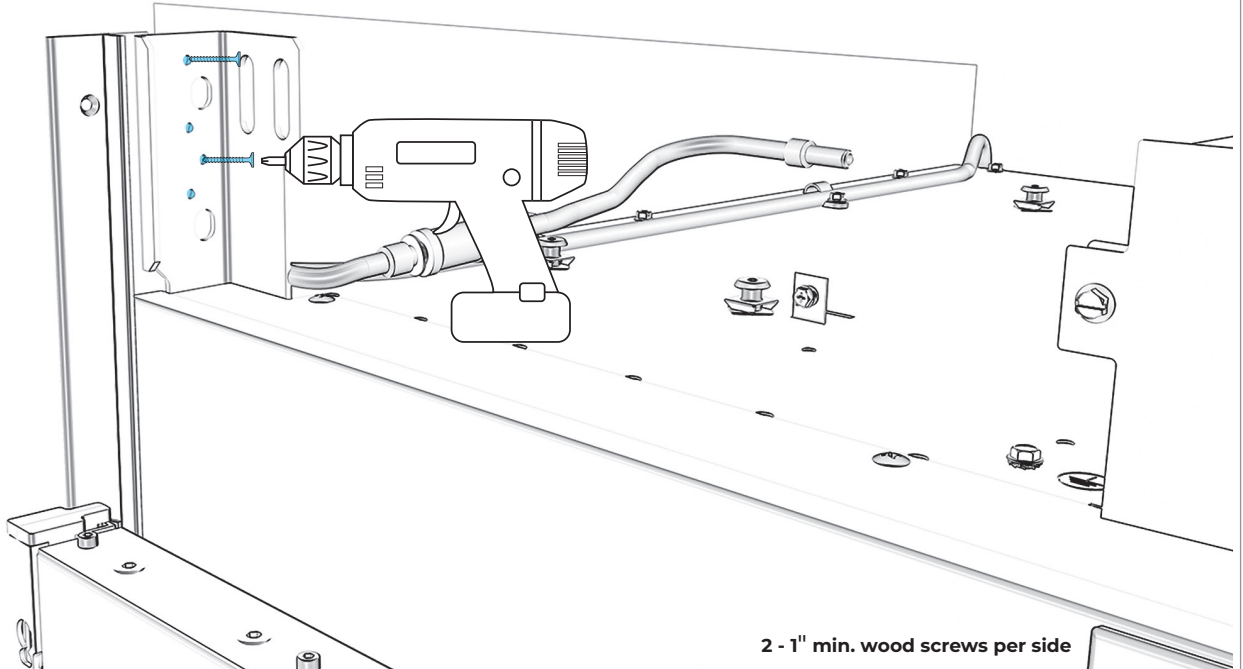
5mm driver bit

3

COLUMN INSTALLATION

3.9

SECURE COLUMN TO EACH SIDE PANEL.



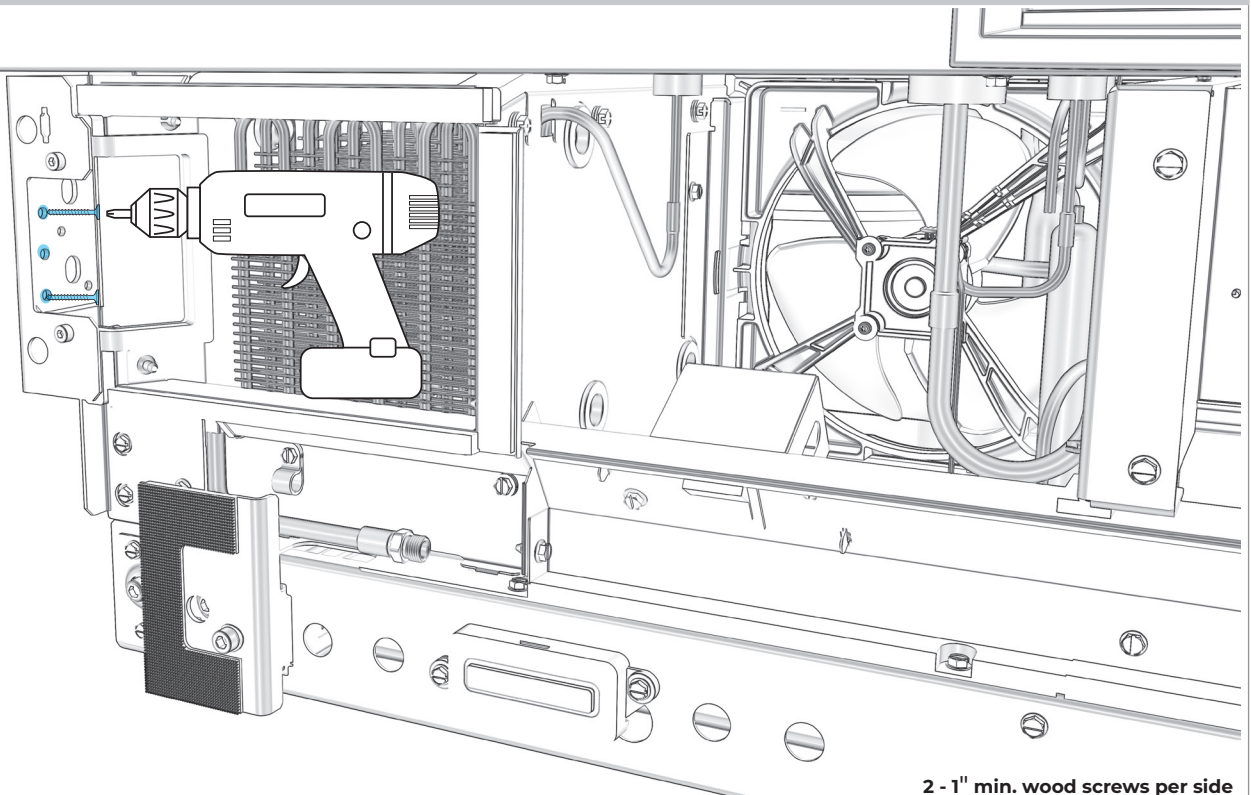
2 - 1" min. wood screws per side



USE WOOD SCREWS OF AN APPROPRIATE LENGTH

3.10

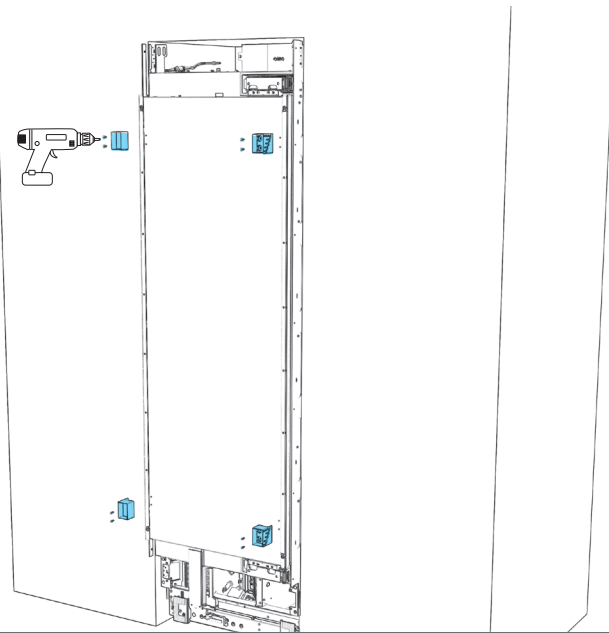
REPEAT ON BOTTOM BRACKET.



2 - 1" min. wood screws per side

3.11

REMOVE AND DISCARD DEPTH GAUGES.



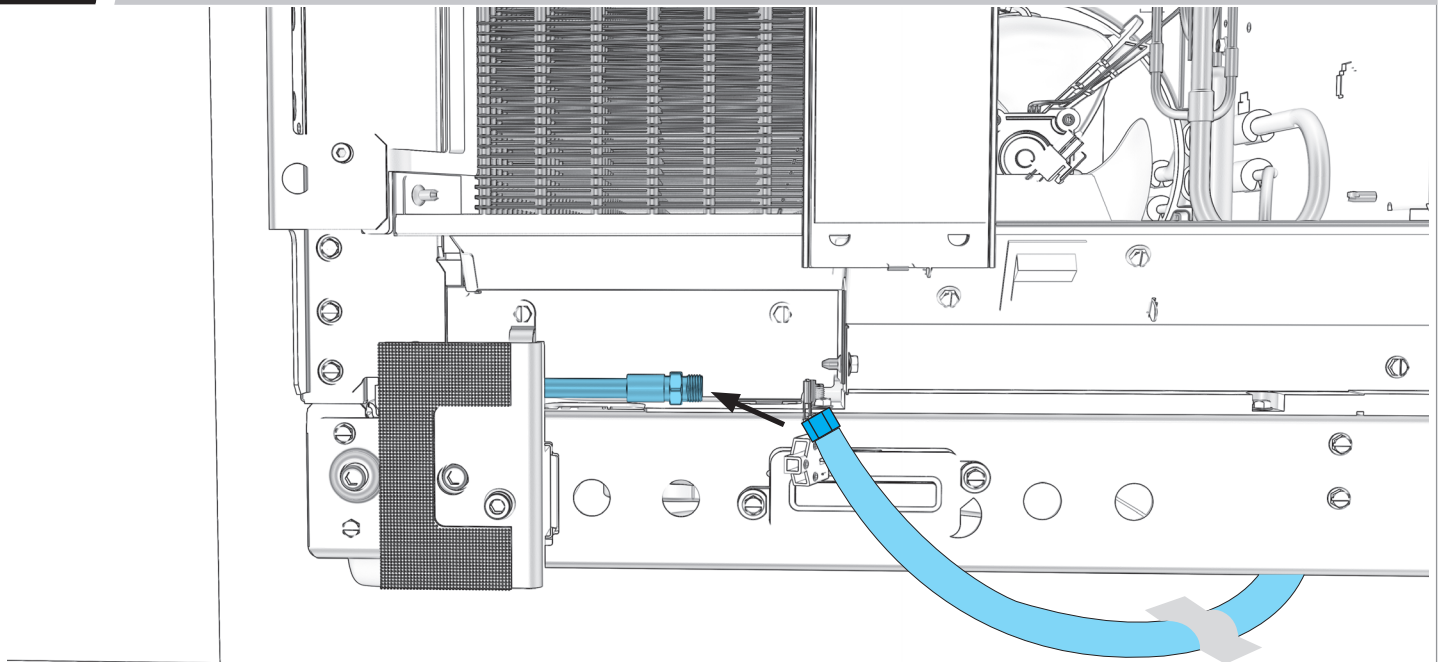
1/4" driver bit



IMPORTANT: TO AVOID A HAZARD, MAKE SURE THAT THE COLUMN IS OFF BEFORE MOVING TO THE NEXT STEP AND CONNECTING THE WATER LINE.

3.12

CONNECT THE WATER SUPPLY LINE.

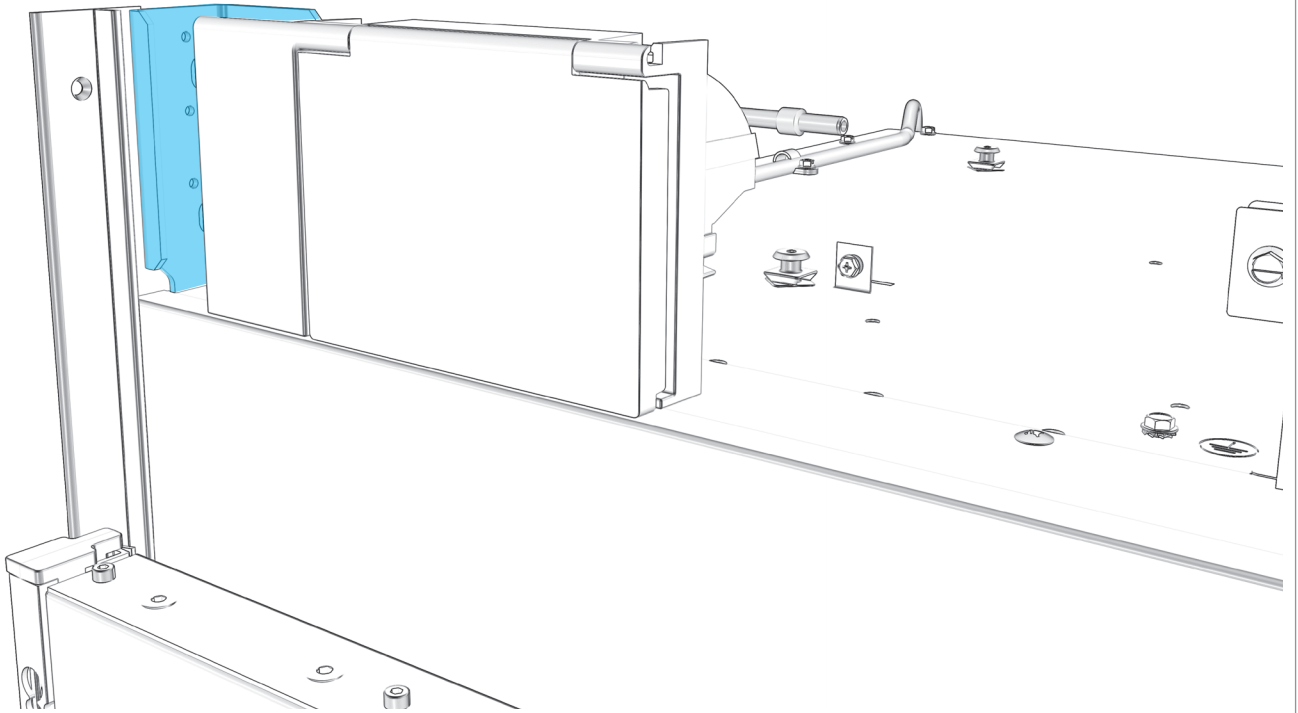


THE DOOR MAY BE OPENED FROM THIS POINT FORWARD

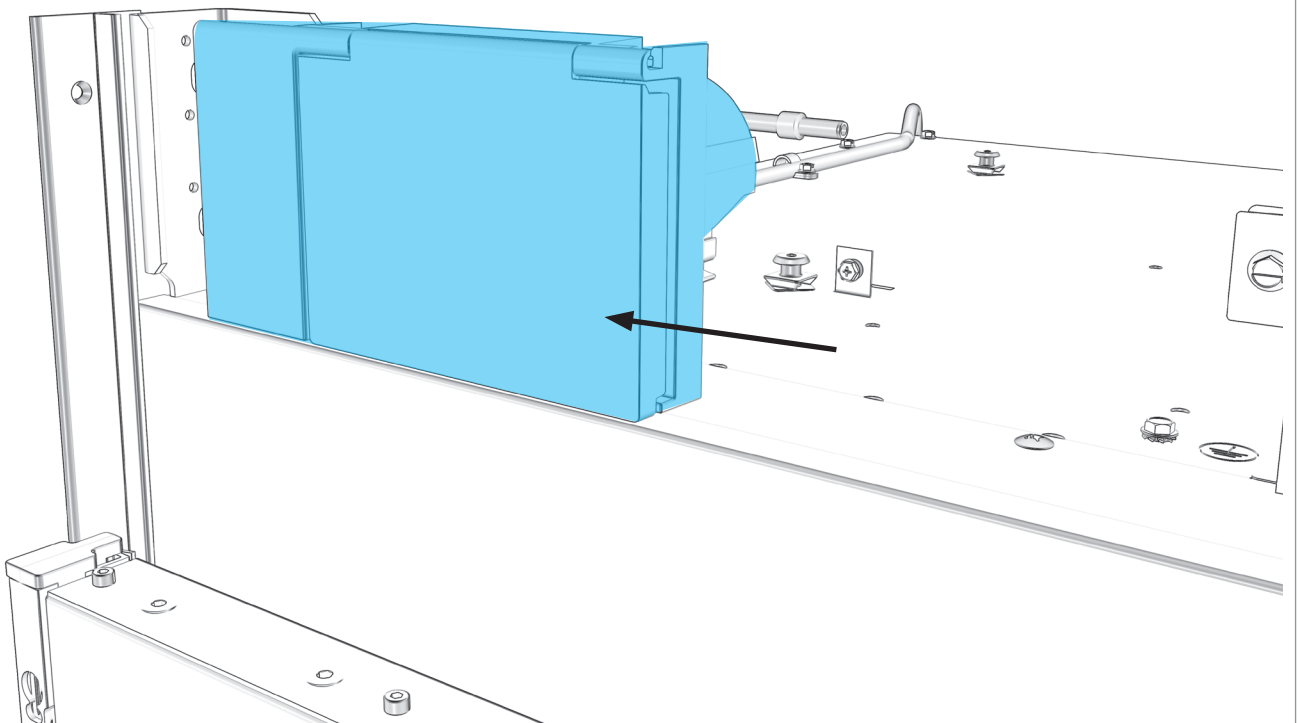
TOE-4-KICK

COLUMN PREPARATION

4.1 ALIGN FILTER HOUSING BETWEEN BRACKETS ON TOP OF COLUMN.



4.2 REINSTALL HOUSING, PUSHING LEFT WITH FORCE.

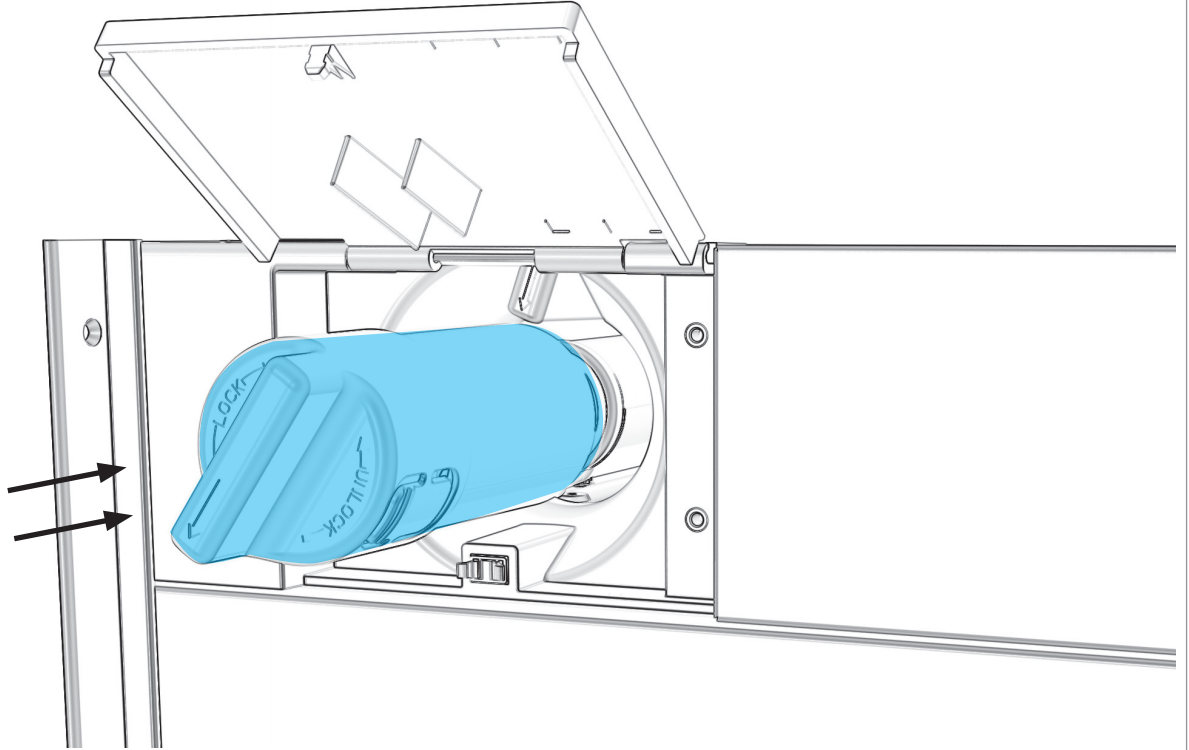


4

TOE-KICK COLUMN PREPARATION

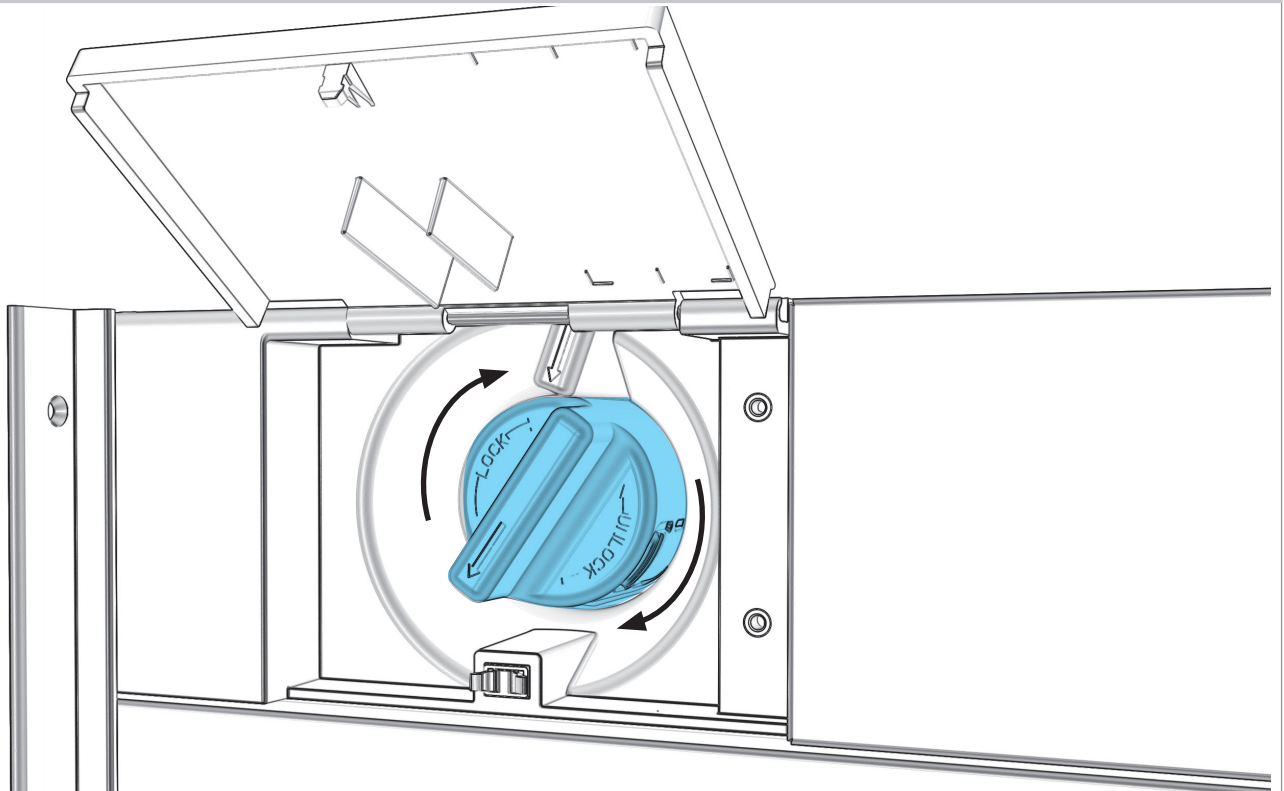
4.3

INSERT WATER FILTER UNTIL SEATED.



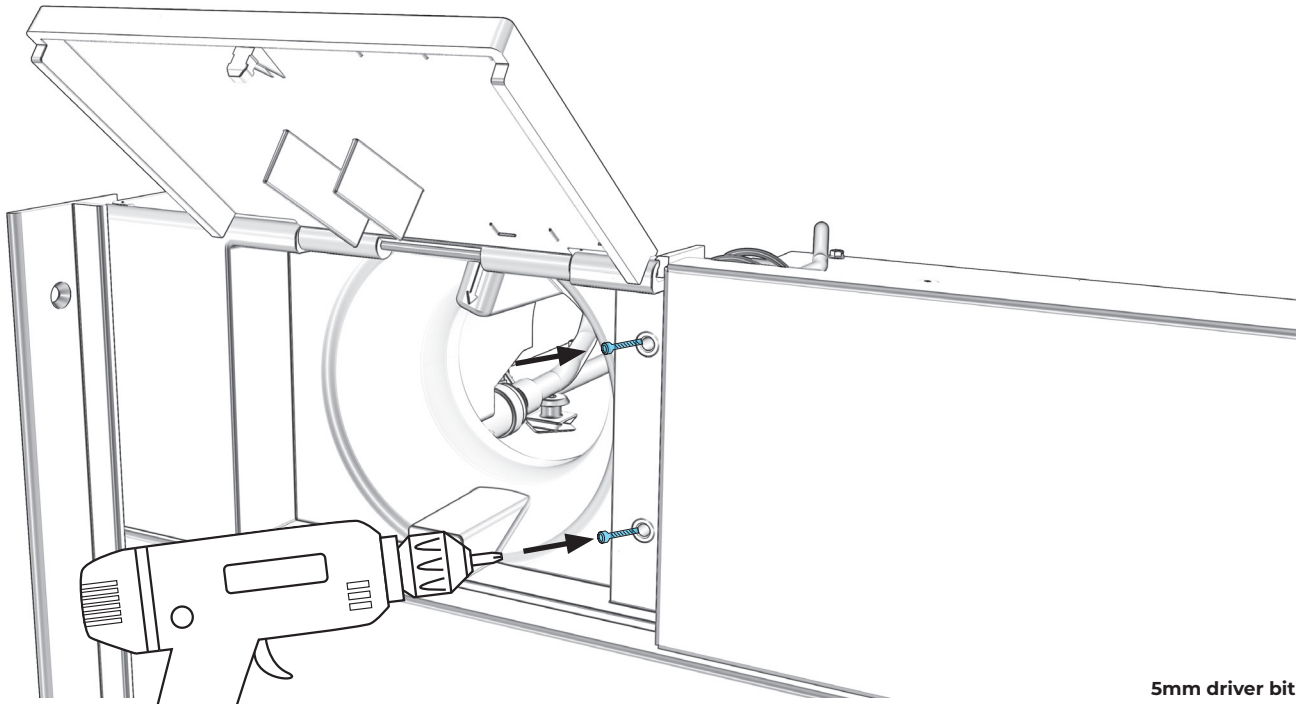
4.4

ROTATE FILTER CLOCKWISE TO ALIGN ARROWS.



4.5

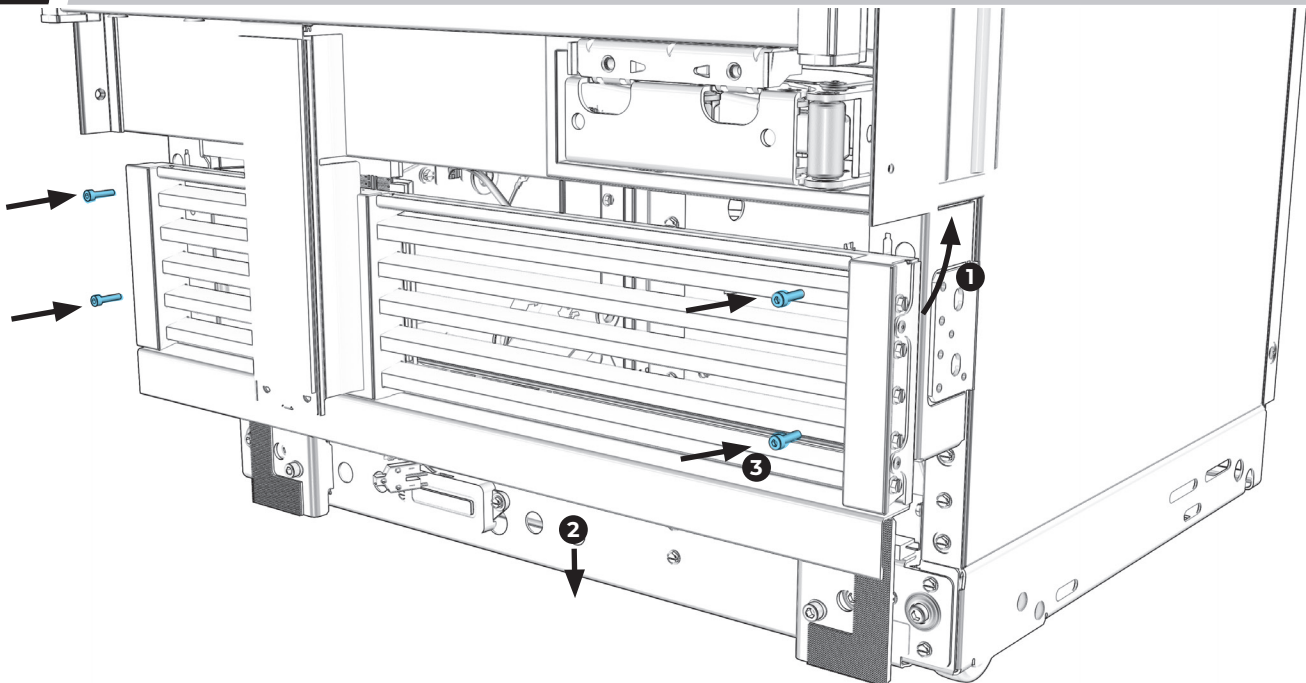
REPLACE TOP COVER AND SECURE WITH TWO SCREWS.



5mm driver bit

4.6

REINSTALL AIR GRILLE.



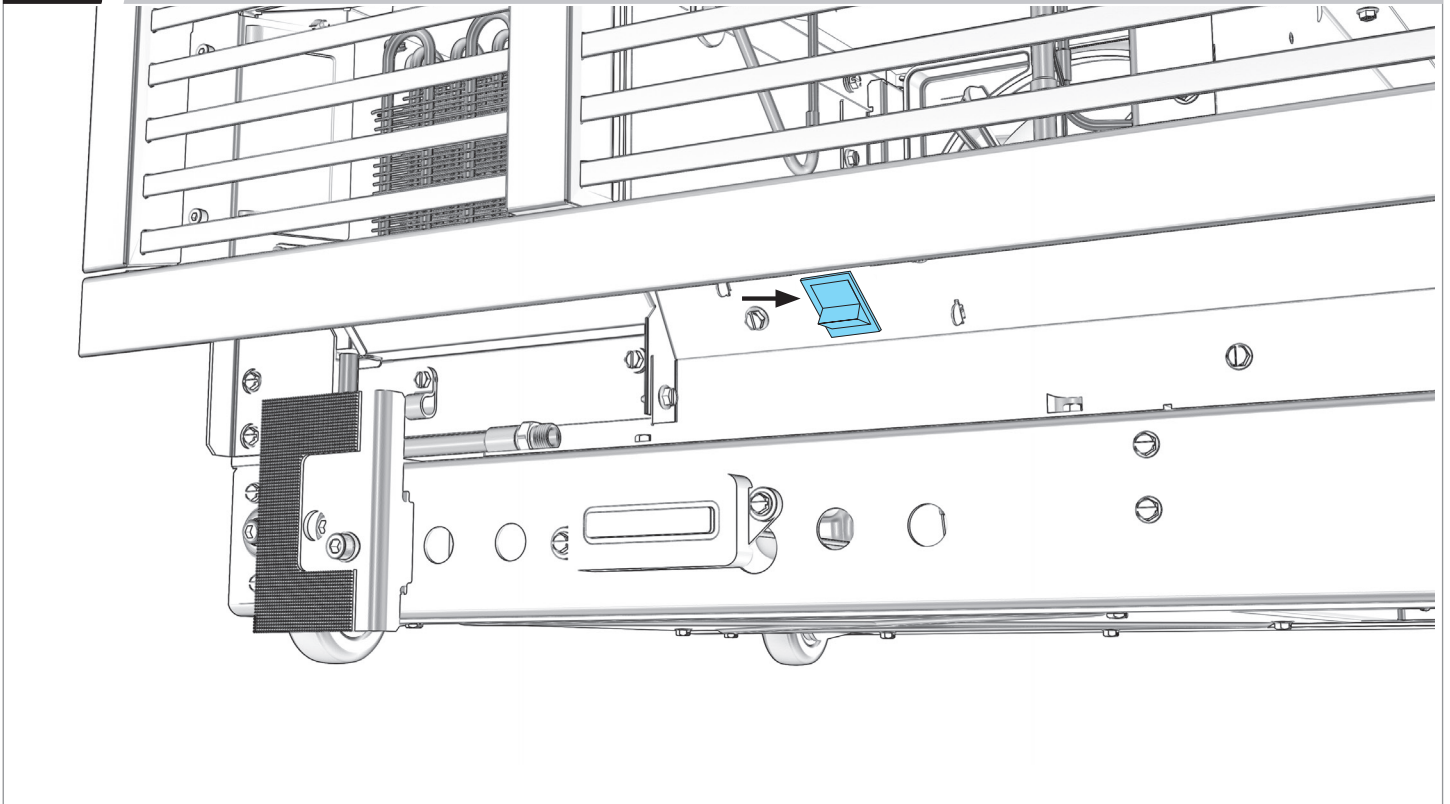
5mm driver bit

4

TOE-KICK COLUMN PREPARATION

4.7

TURN POWER ON.



CHECKPOINT

INSTALLATION CHECKPOINT

PG. 42 CUSTOM WOOD
TOE-KICK PREPARATION

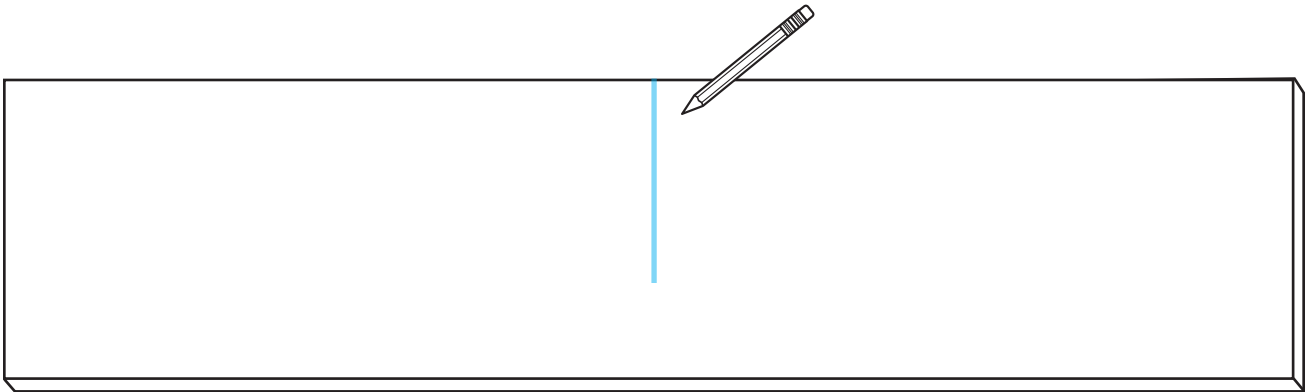
PG. 46 STAINLESS STEEL
TOE-KICK PREPARATION

PG. 49 ALIGN AND INSTALL ALL TOE-KICKS

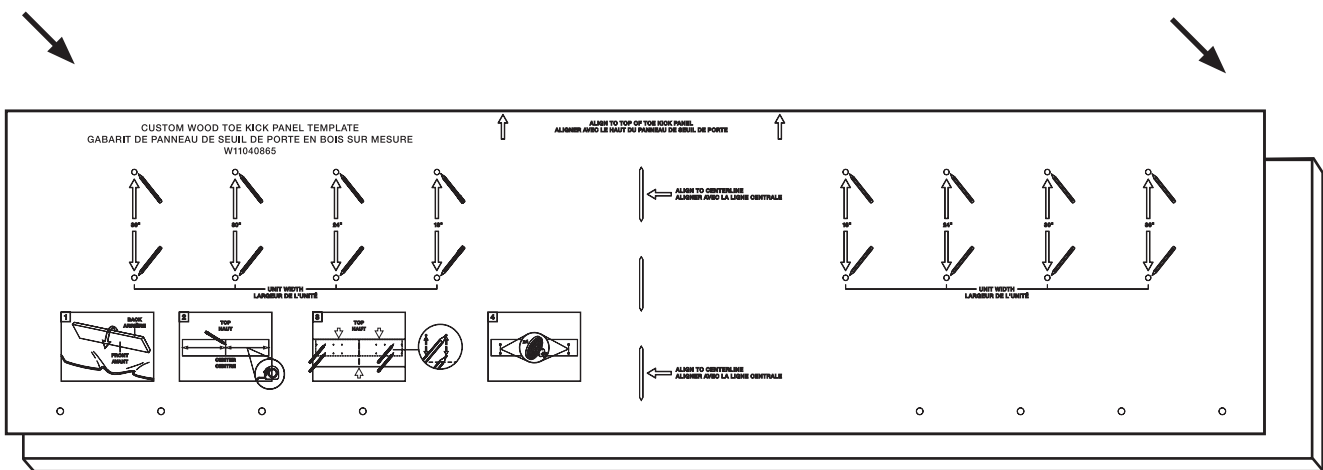
TOE-KICK

CUSTOM WOOD PREPARATION

5.1 MEASURE AND MARK CENTER LINE OF TOE-KICK.



5.2 ALIGN TEMPLATE.

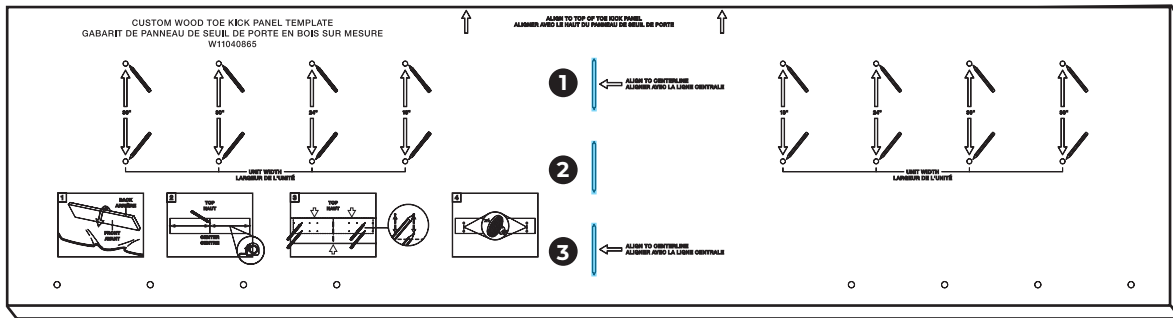


5

TOE-KICK CUSTOM WOOD PREPARATION

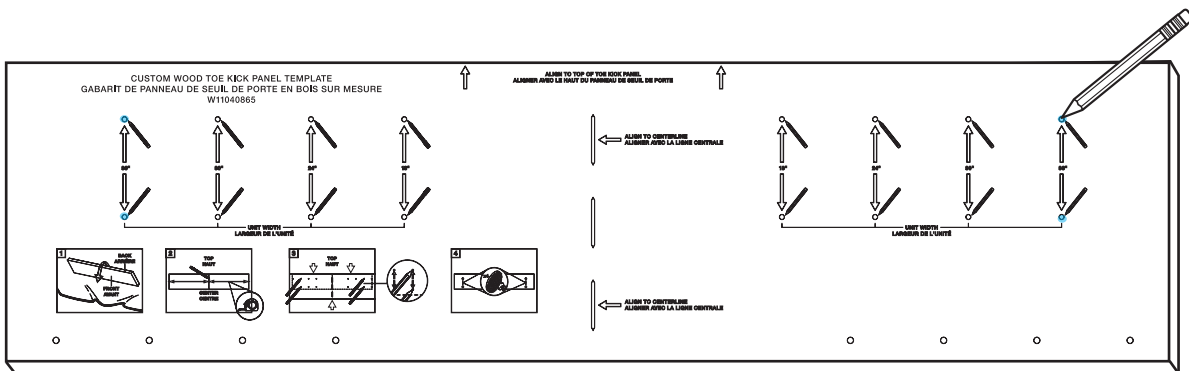
5.3

ALIGN TEMPLATE WITH CENTER LINE.



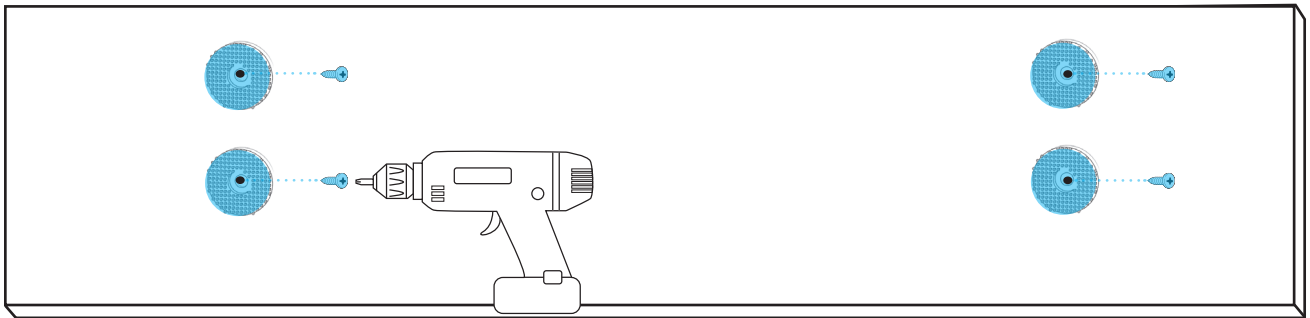
5.4

MARK GRIPPING PAD LOCATIONS.



5.5

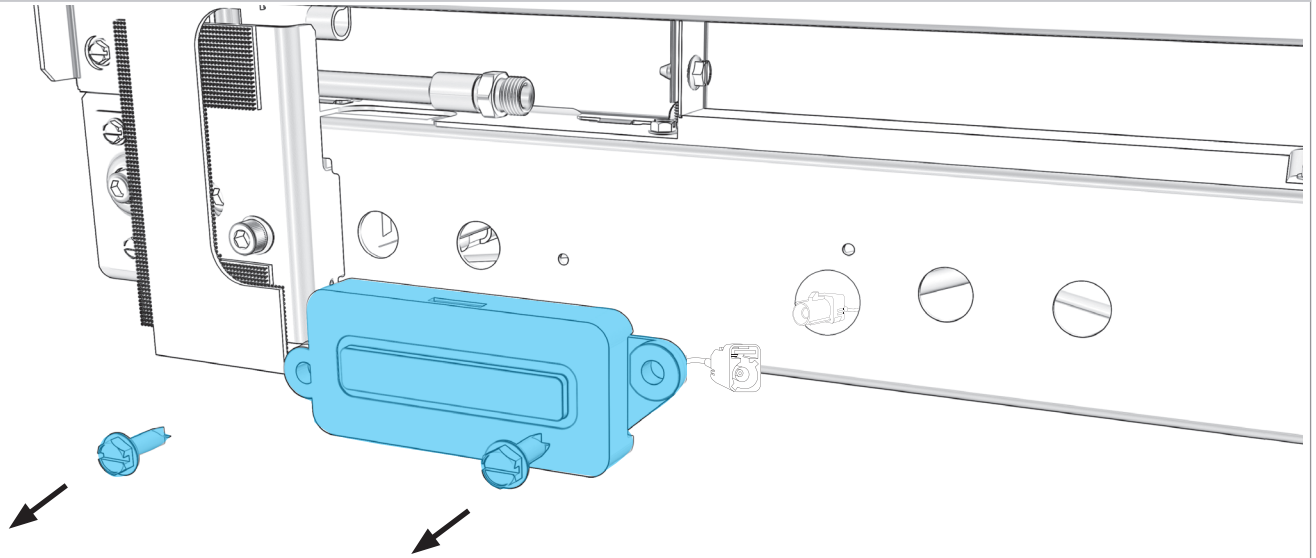
ADHERE GRIPPING PADS TO POINTS.



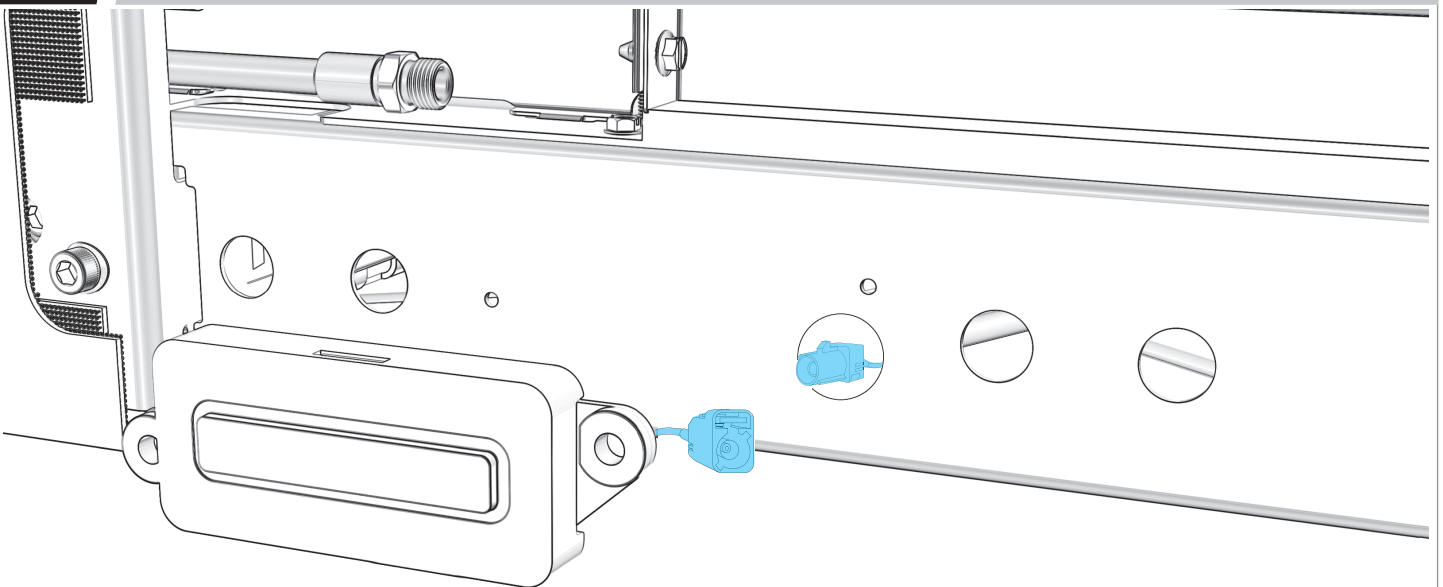
TOE-KICK

STAINLESS STEEL PREPARATION

6.1 UNSCREW AND DISCARD WIFI HARNESS.



6.2 DISCONNECT BLUE WIFI WIRE FROM HARNESS.

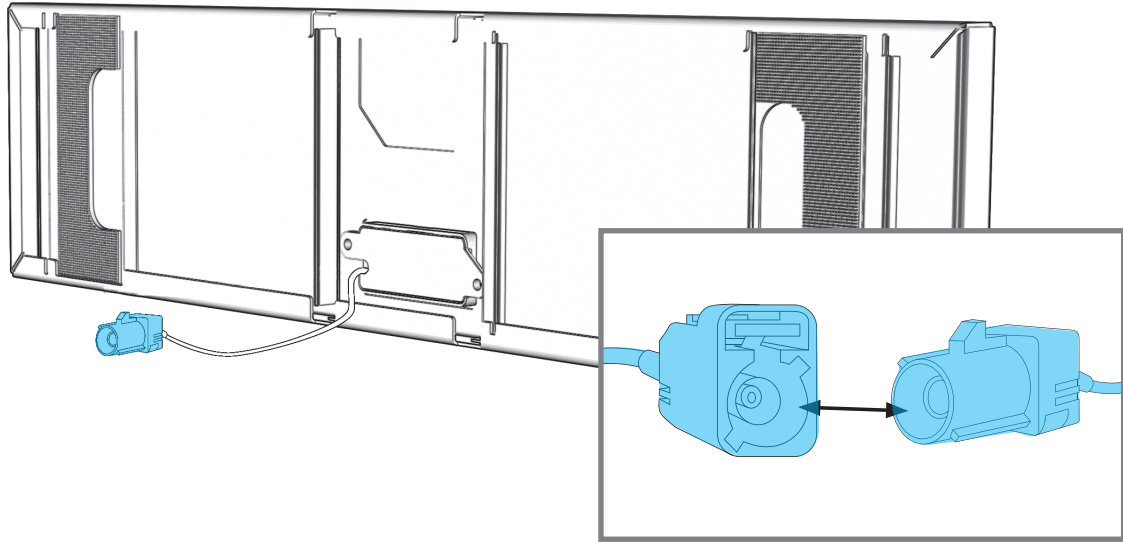


6

TOE-KICK STAINLESS STEEL PREPARATION

6.3

ATTACH BLUE TOE-KICK AND COLUMN WIRES.



TOE-KICK

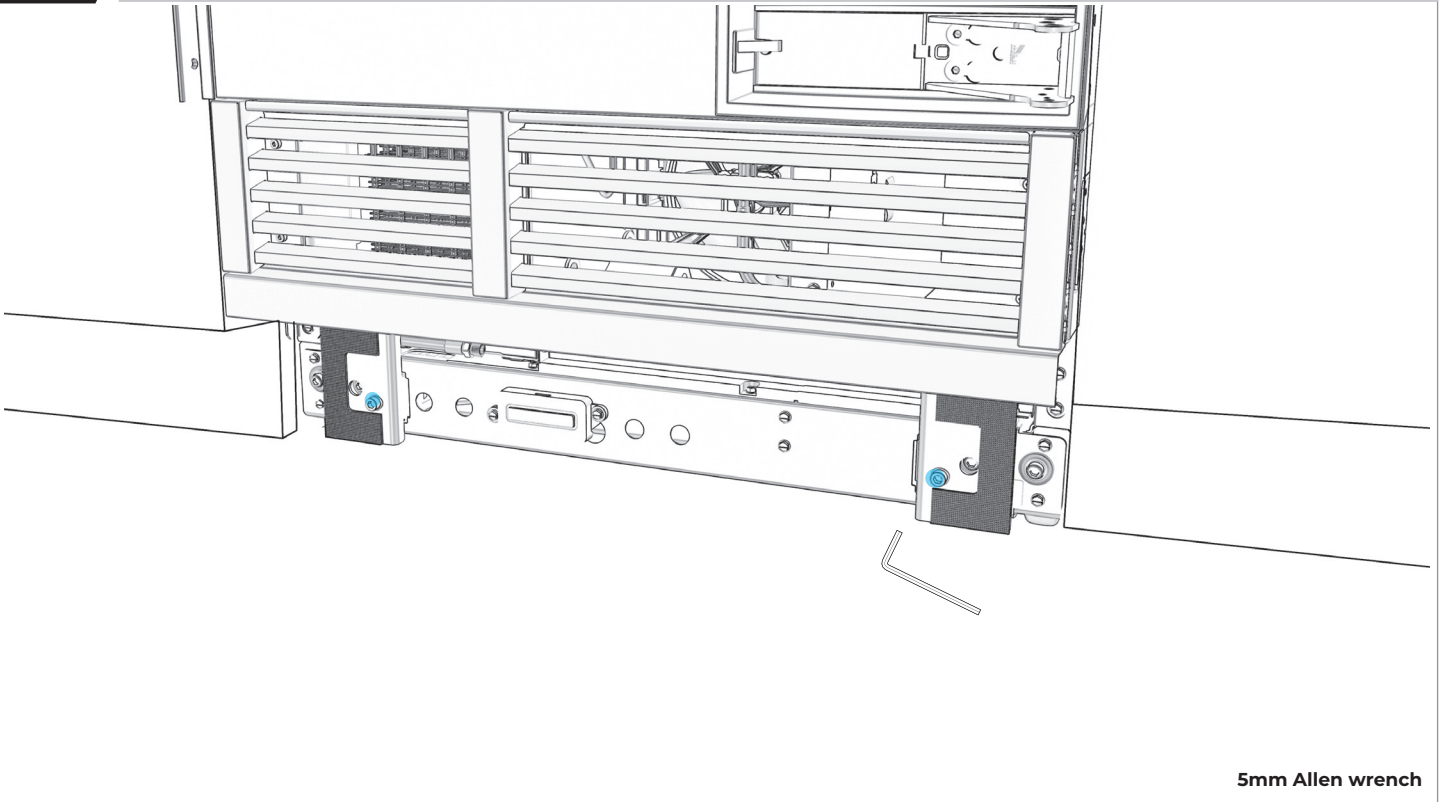
ALIGNMENT AND INSTALLATION

7

TOE-KICK ALIGNMENT AND INSTALLATION

7.1

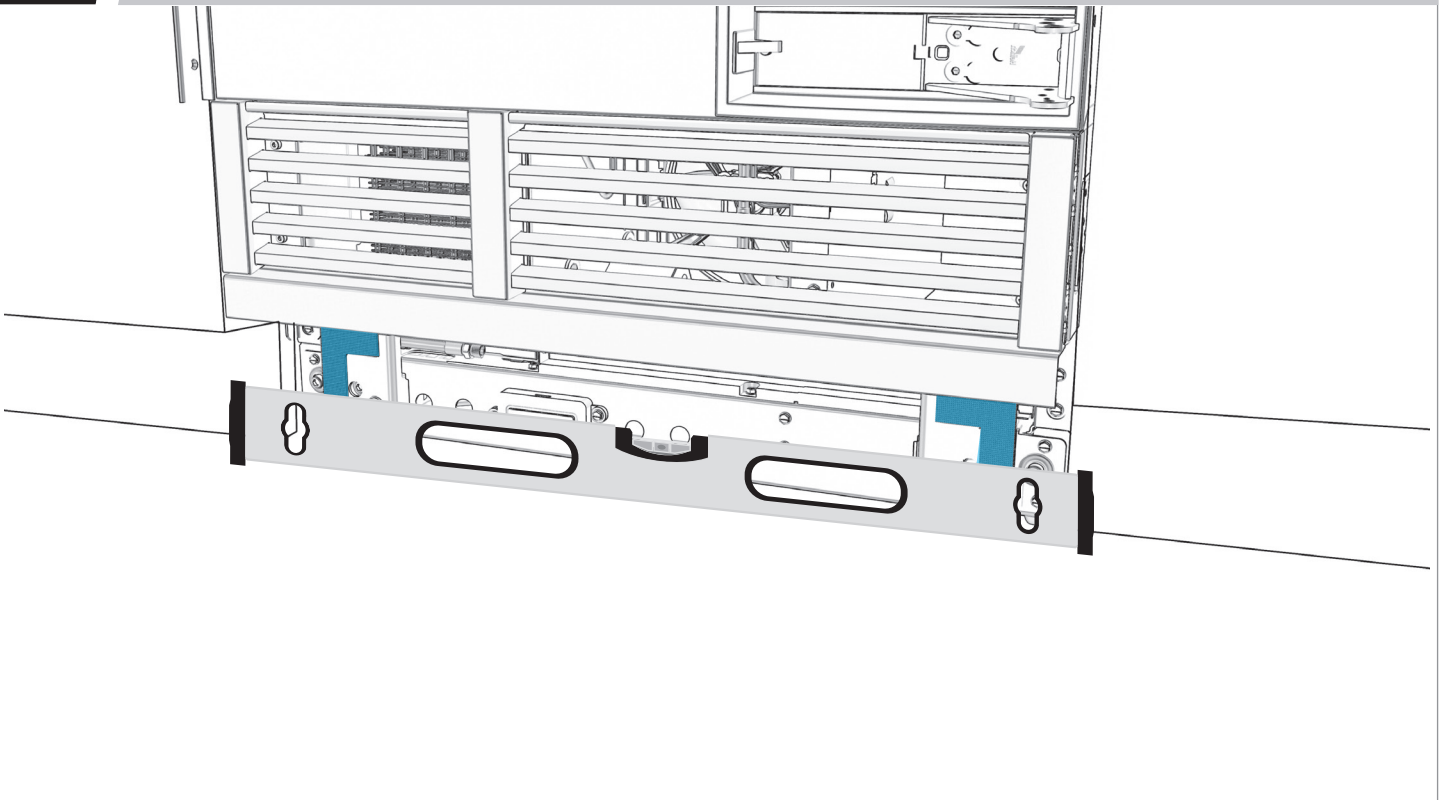
ALIGN TOE-KICK BRACKETS WITH FURNITURE TOE-KICK.



5mm Allen wrench

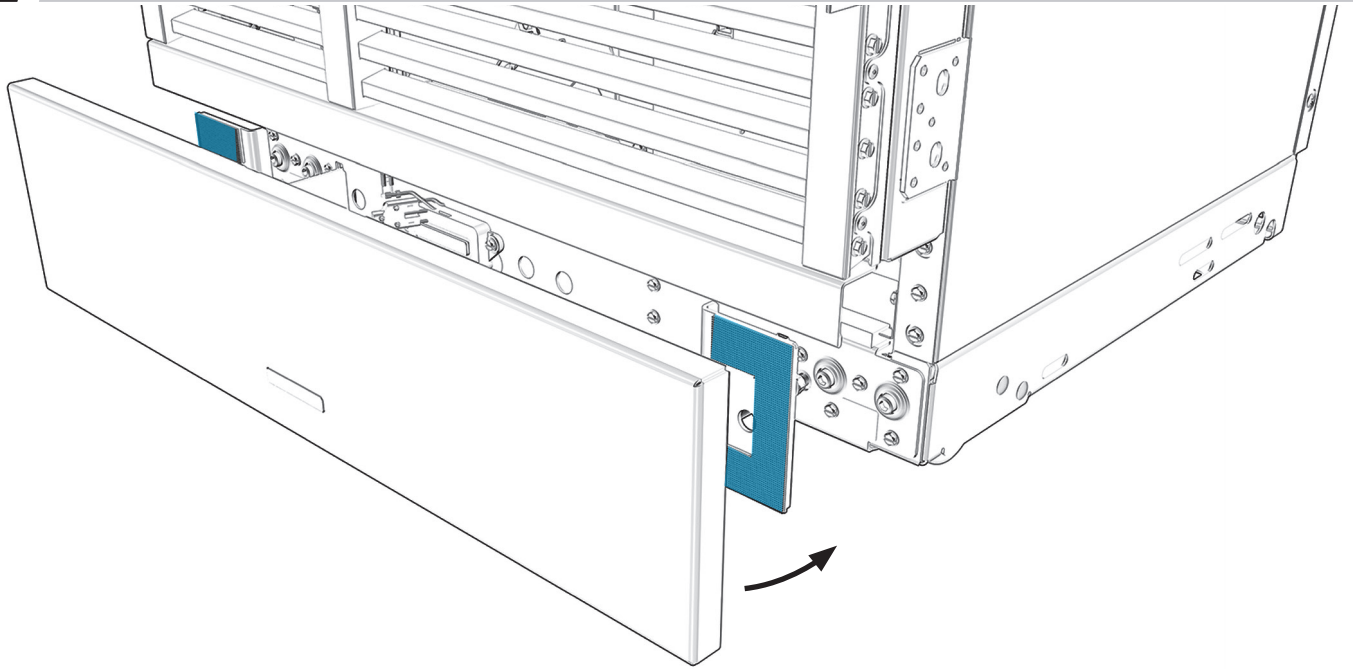
7.2

CHECK THAT BRACKETS ARE IN PLANE.



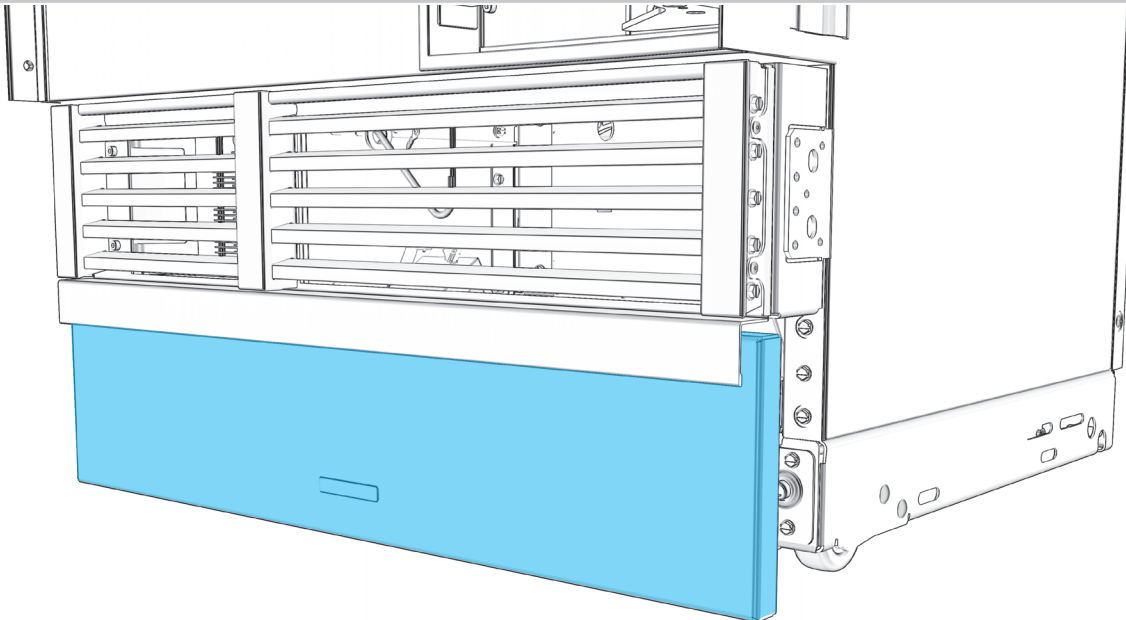
7.3

ALIGN TOE-KICK GRIPPING PADS WITH BRACKETS.



7.4

PRESS FIRMLY TO ATTACH.

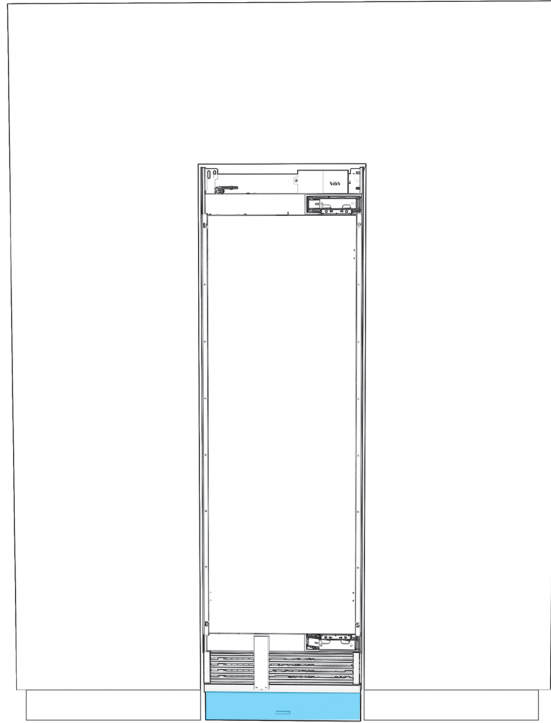


7

TOE-KICK ALIGNMENT AND INSTALLATION

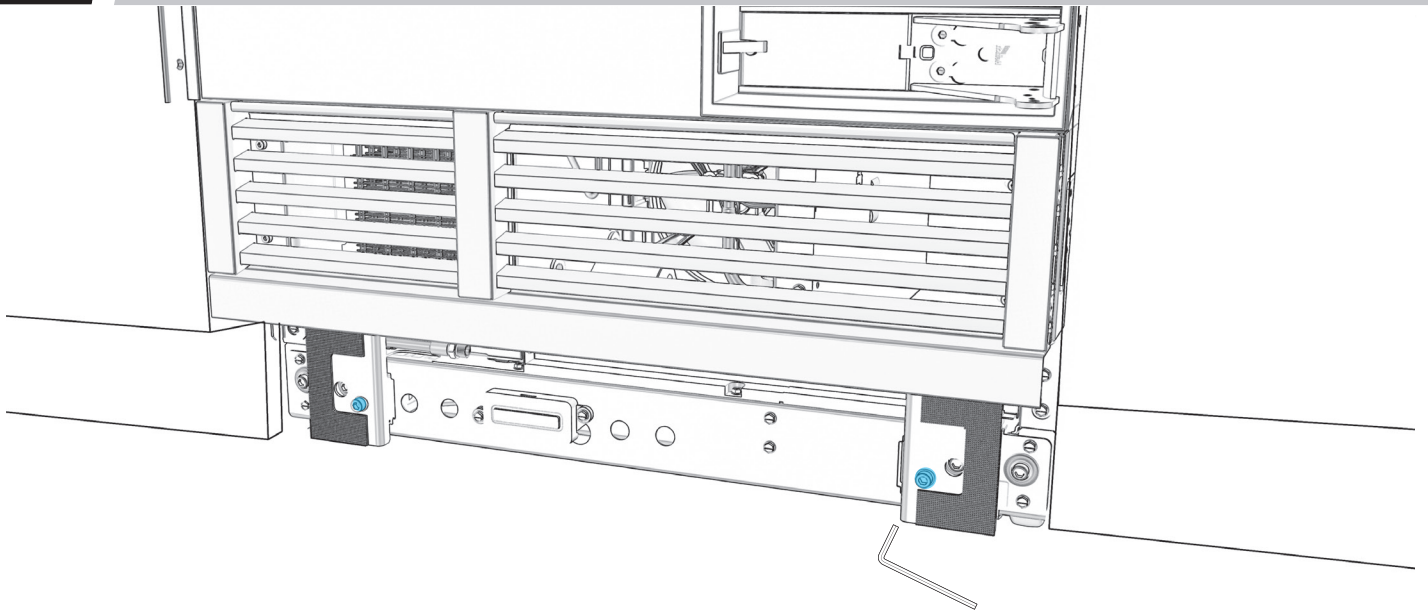
7.5

MEASURE OFFSET. IF UNEVEN, REMOVE PANEL.



7.6

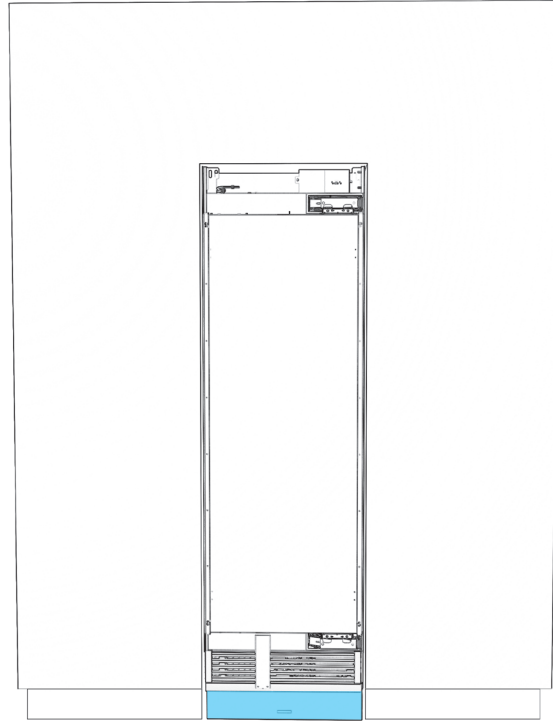
ADJUST BRACKETS TO ALIGN PANEL.



5mm Allen wrench

7.7

CONFIRM ALIGNMENT, READJUSTING IF NECESSARY.



CHECKPOINT

INSTALLATION CHECKPOINT

PG. 55 CUSTOM WOOD DOOR PANEL

PG. 60 STAINLESS STEEL DOOR PANEL

PG. 63 HANG AND ALIGN DOOR PANEL



P A N E L

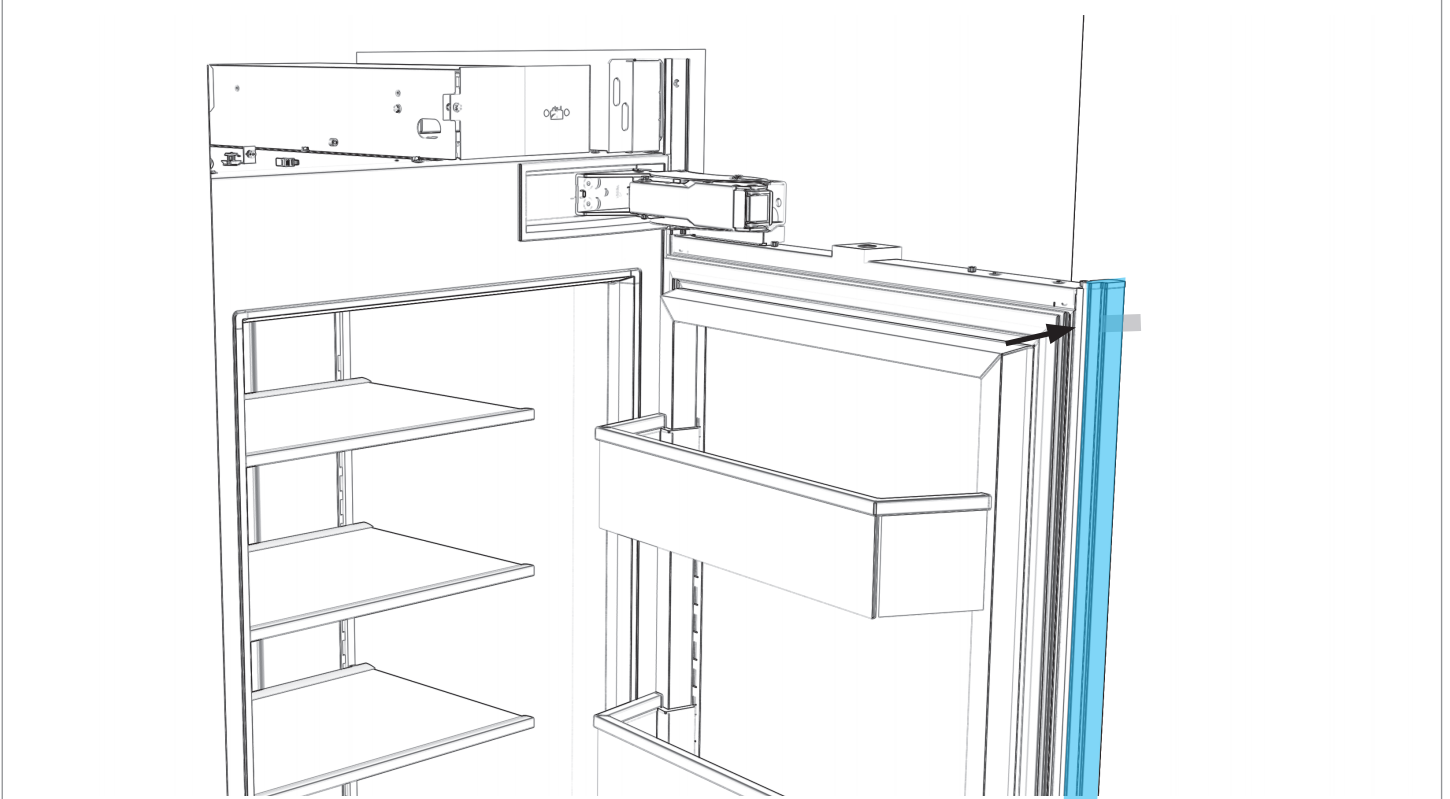
CUSTOM WOOD PREPARATION

8

PANEL CUSTOM WOOD PREPARATION

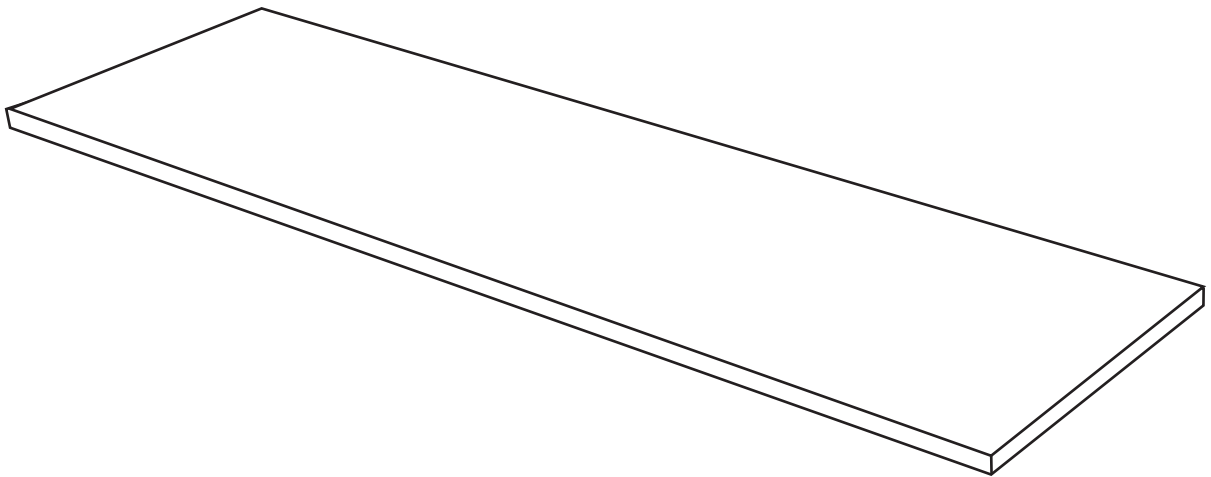
8.1

PULL TAPE TO POP OFF BRACKET TRIM.



8.2

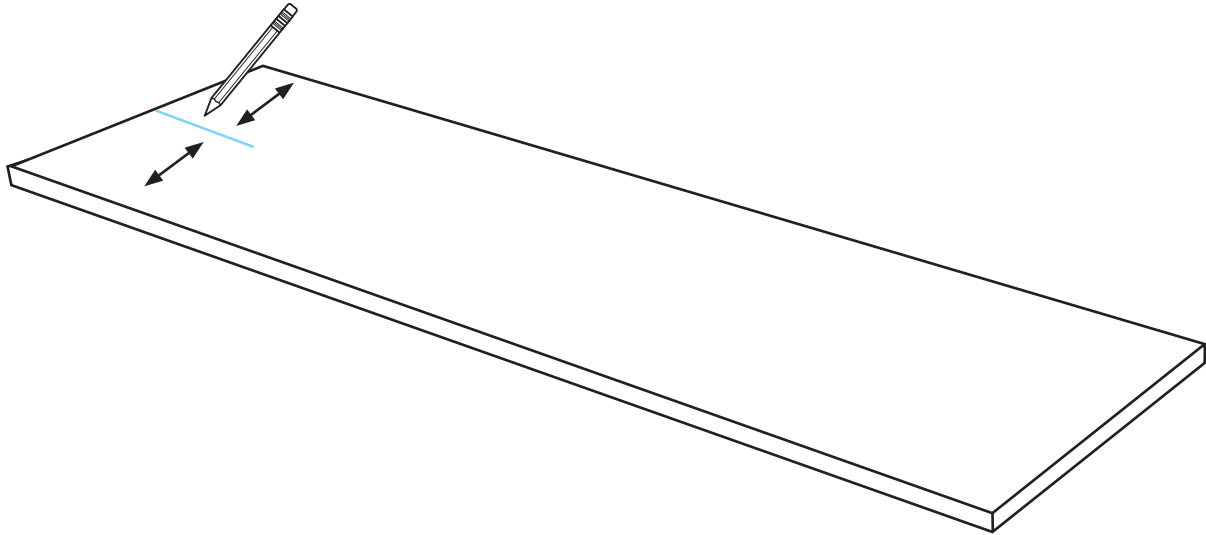
PLACE PANEL FACE-DOWN.



PLACE ON A FLAT, COVERED SURFACE

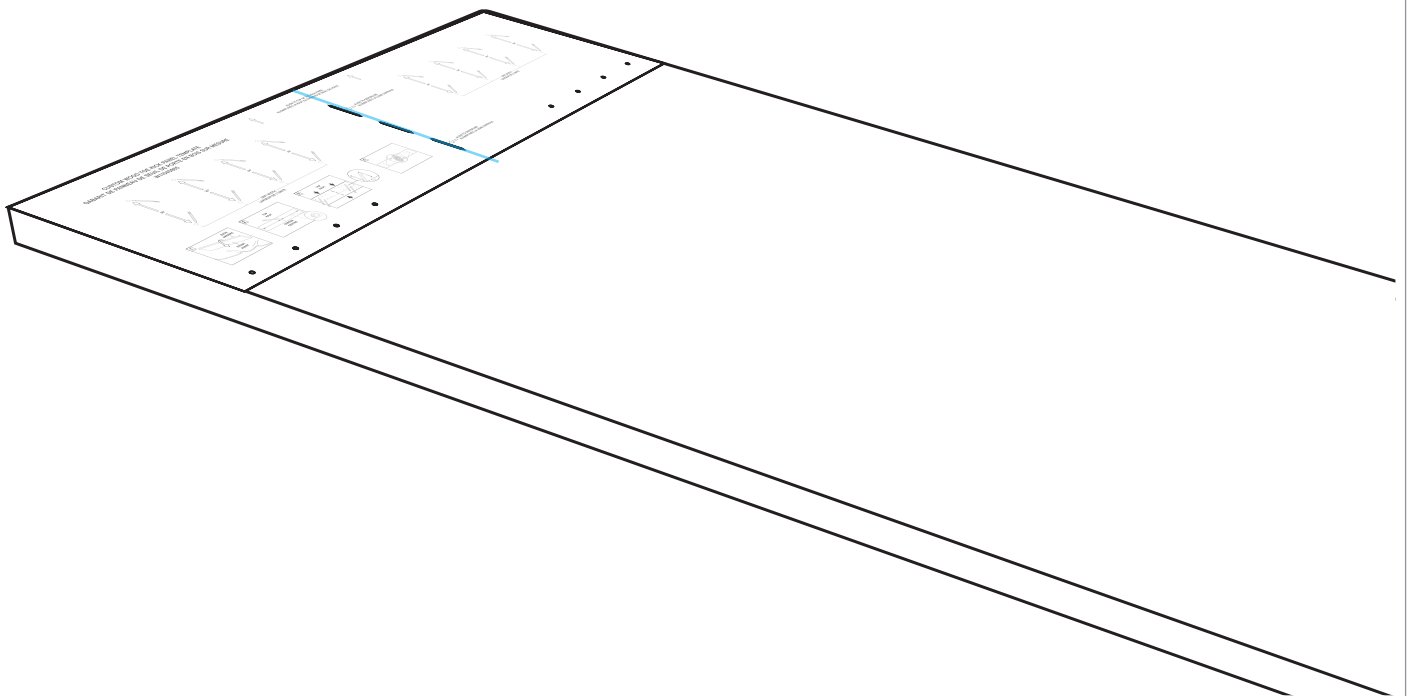
8.3

MEASURE AND MARK CENTER OF THE PANEL.



8.4

ALIGN CUSTOM WOOD PANEL TEMPLATE SLOTS WITH PANEL CENTERLINE.

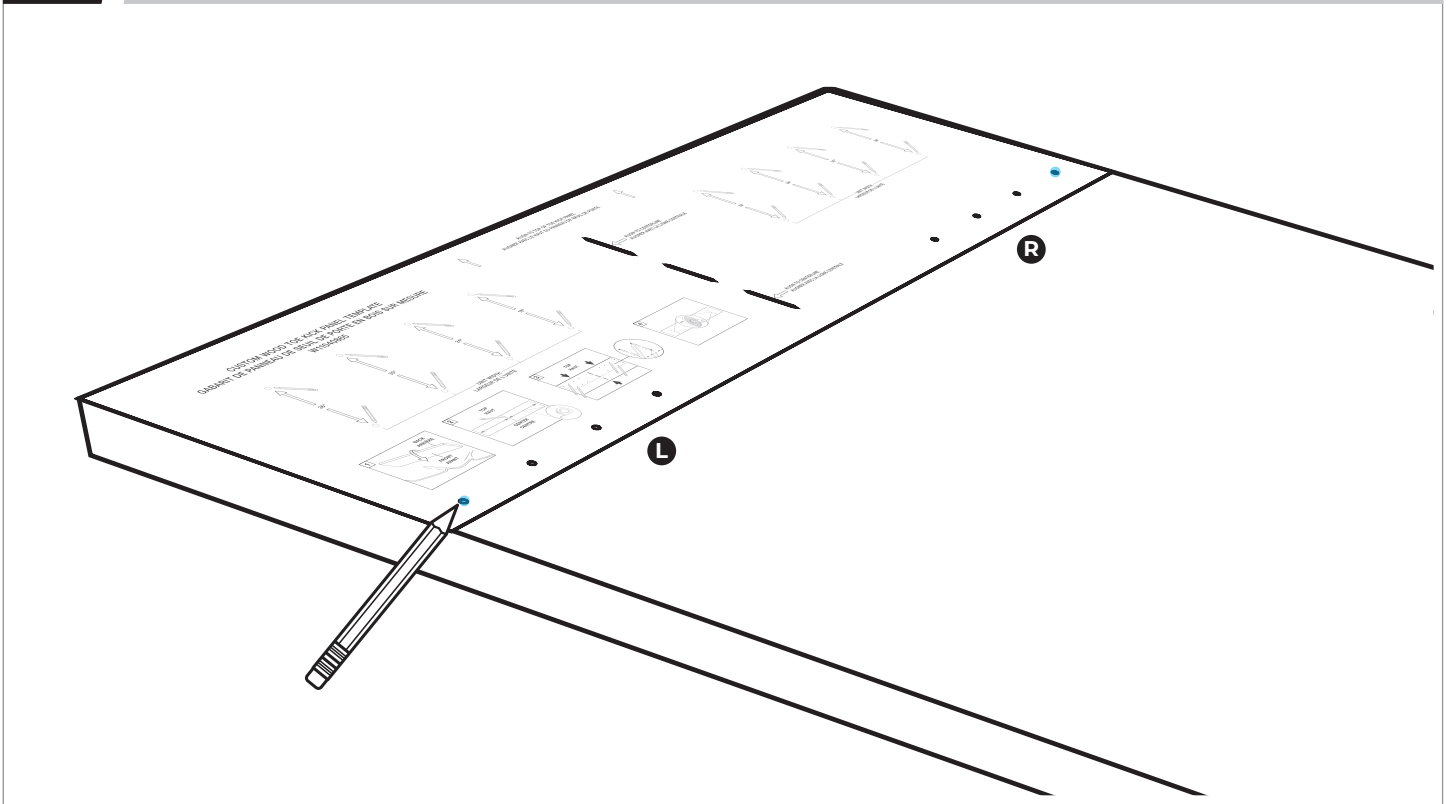


8

PANEL CUSTOM WOOD PREPARATION

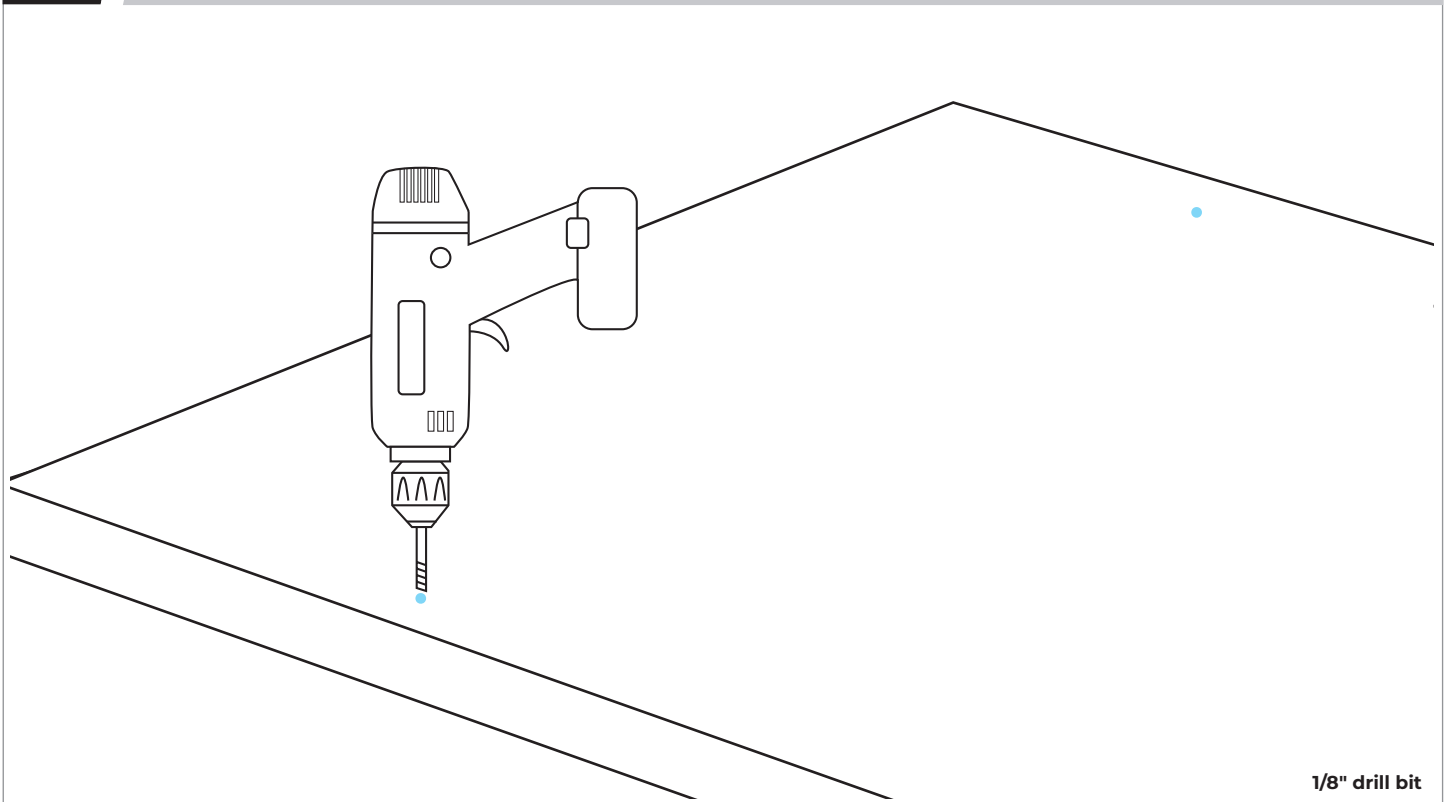
8.5

MARK LEFT AND RIGHT HOLES.



8.6

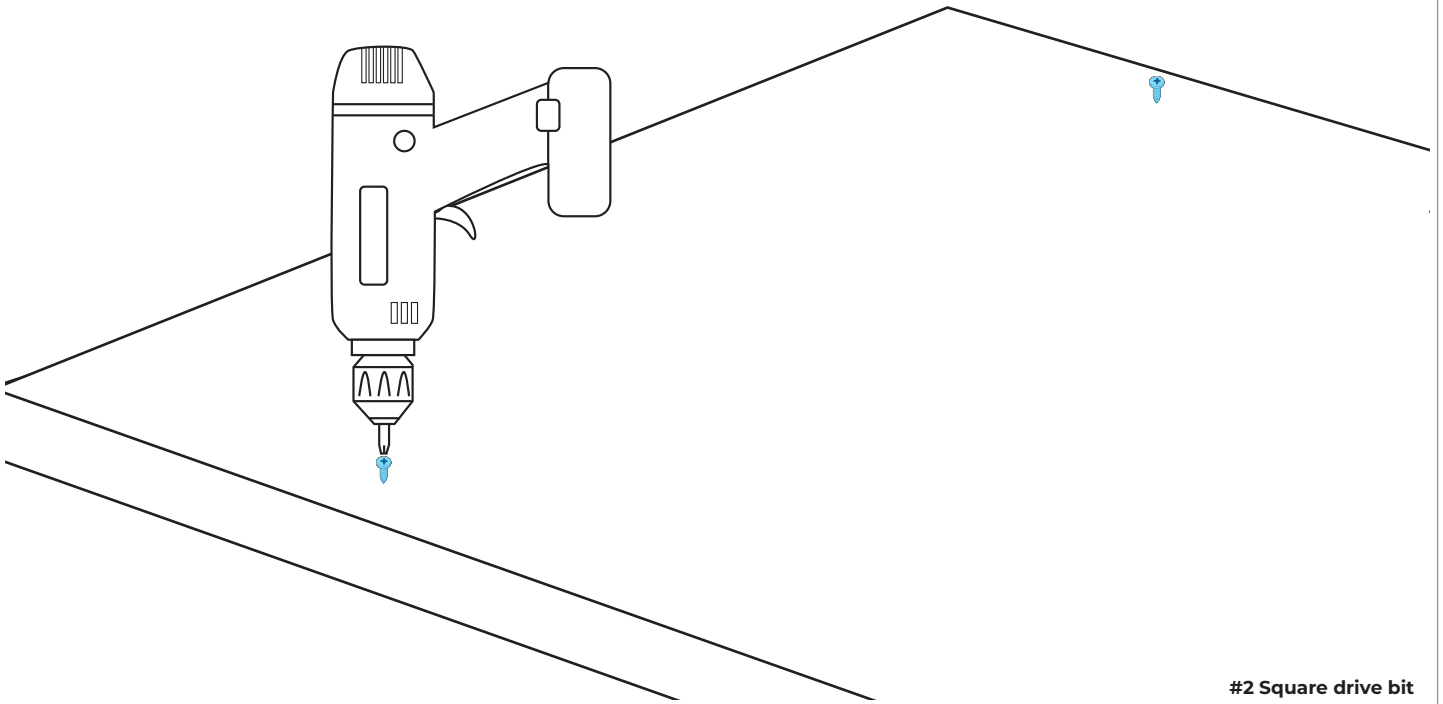
DRILL HOLES.



1/8" drill bit

8.7

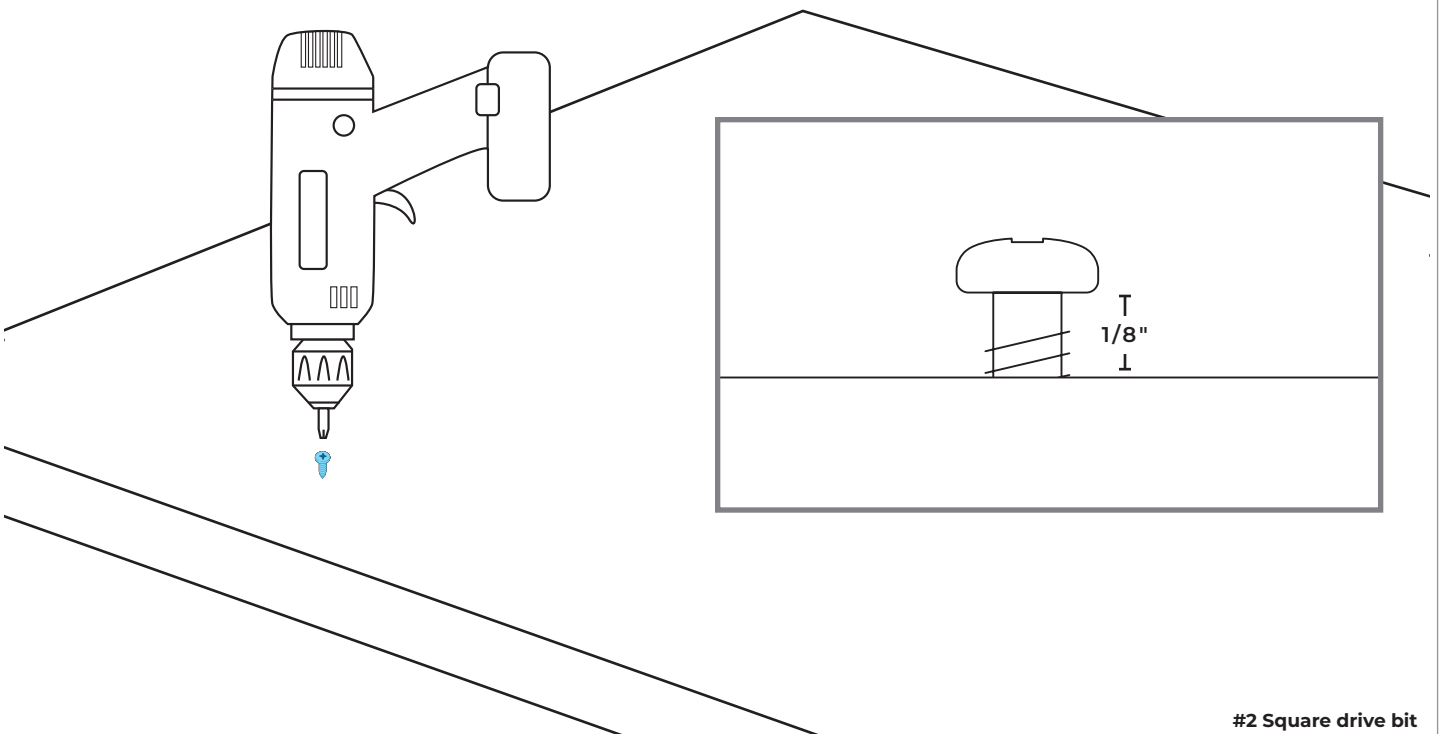
DRIVE FASTENERS INTO PRE-DRILLED LOCATIONS.



#2 Square drive bit

8.8

ENSURE SPACE OF 1/8" (3.18 MM).

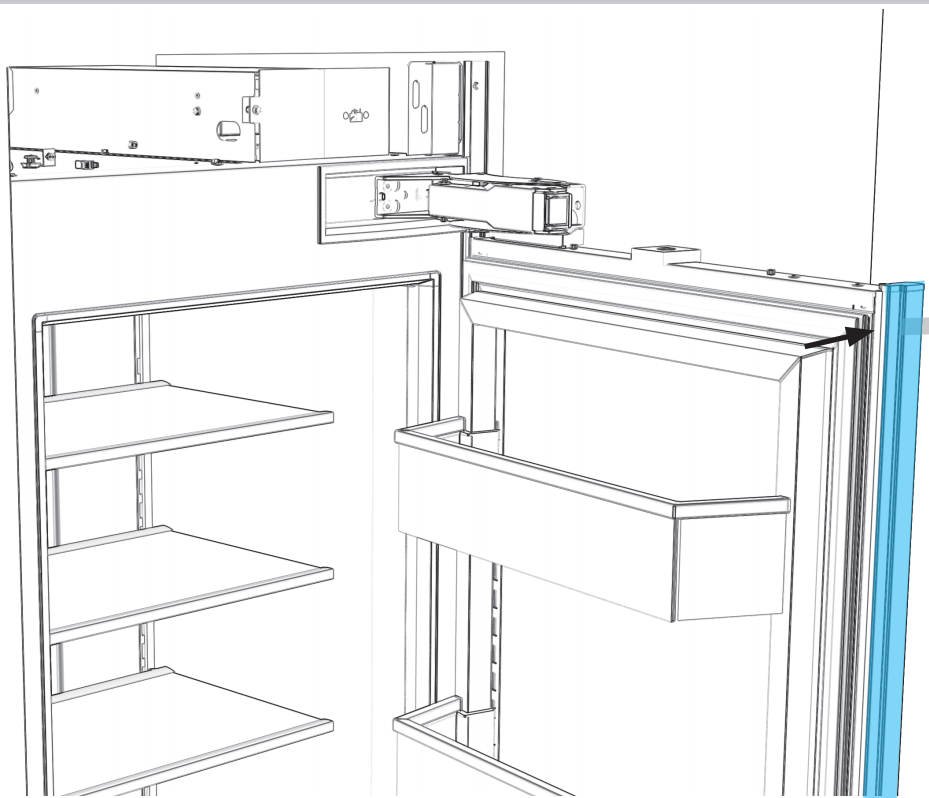


#2 Square drive bit

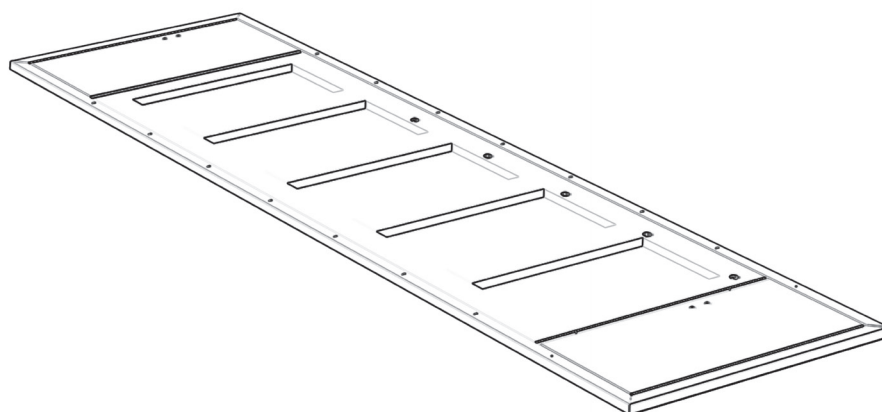
P A N E L

STAINLESS STEEL PREPARATION

9.1 PULL TAPE TO POP OFF BRACKET TRIMS.



9.2 PLACE PANEL FACE-DOWN.



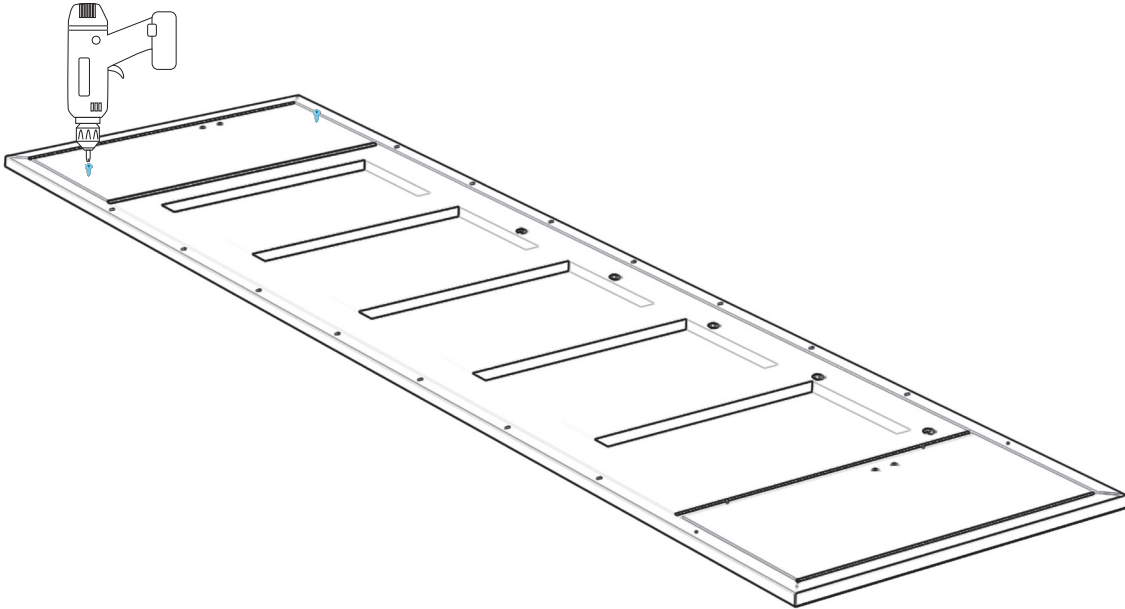
PLACE ON A FLAT, COVERED SURFACE

9

PANEL STAINLESS STEEL PREPARATION

9.3

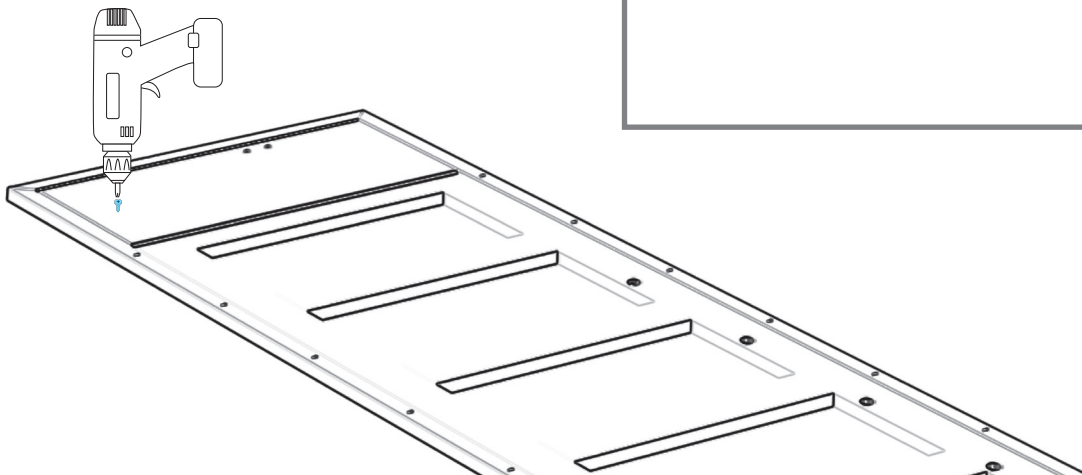
DRIVE FASTENERS INTO PRE-DRILLED LOCATIONS.



#2 Square drive bit

9.4

ENSURE SPACE OF 1/8" (3.18 MM).



#2 Square drive bit

PANEL

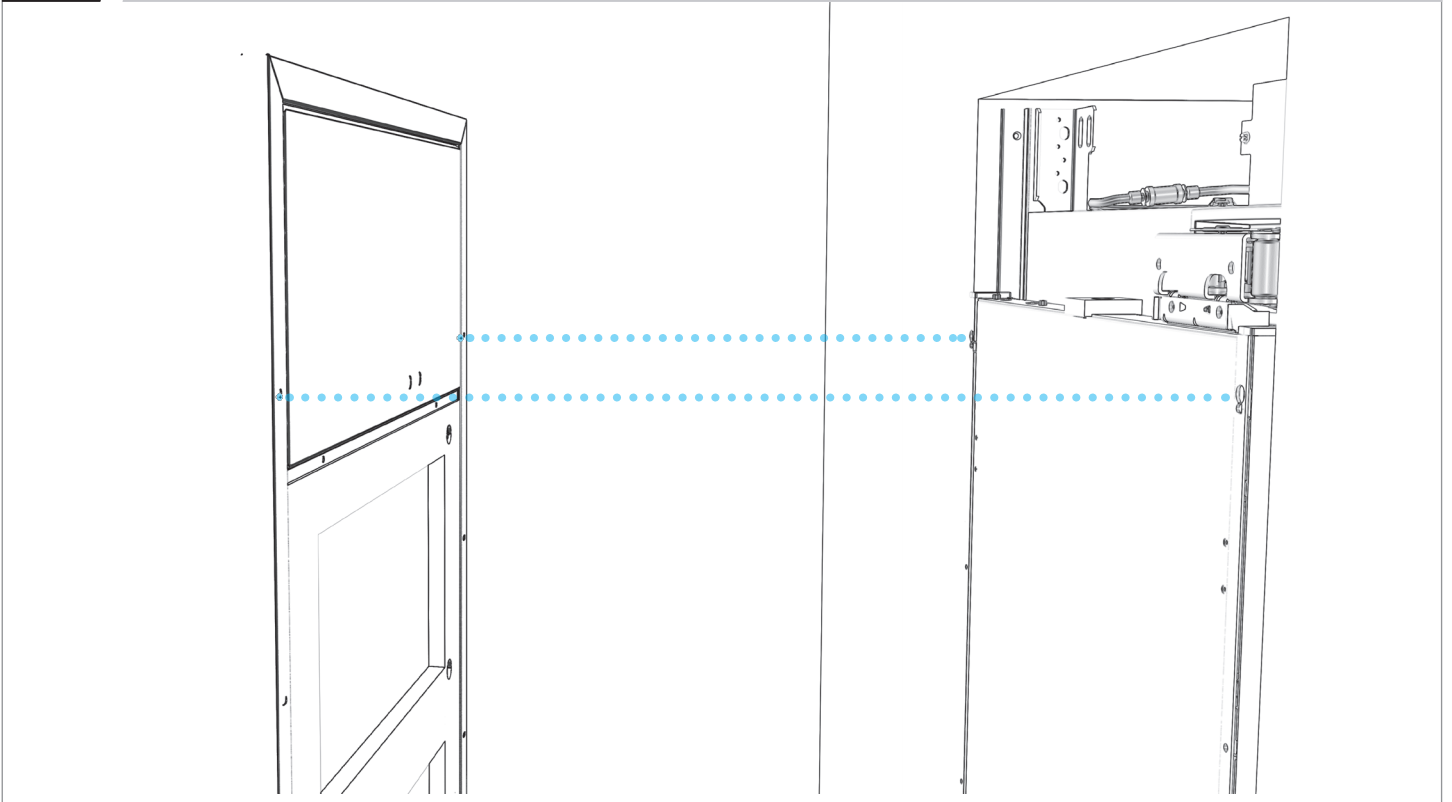
HANGING AND ADJUSTMENT

10

PANEL HANGING AND ADJUSTMENT

10.1

INSERT FASTENERS INTO TOP SLOTS OF DOOR ADJUSTMENT TRIMS.

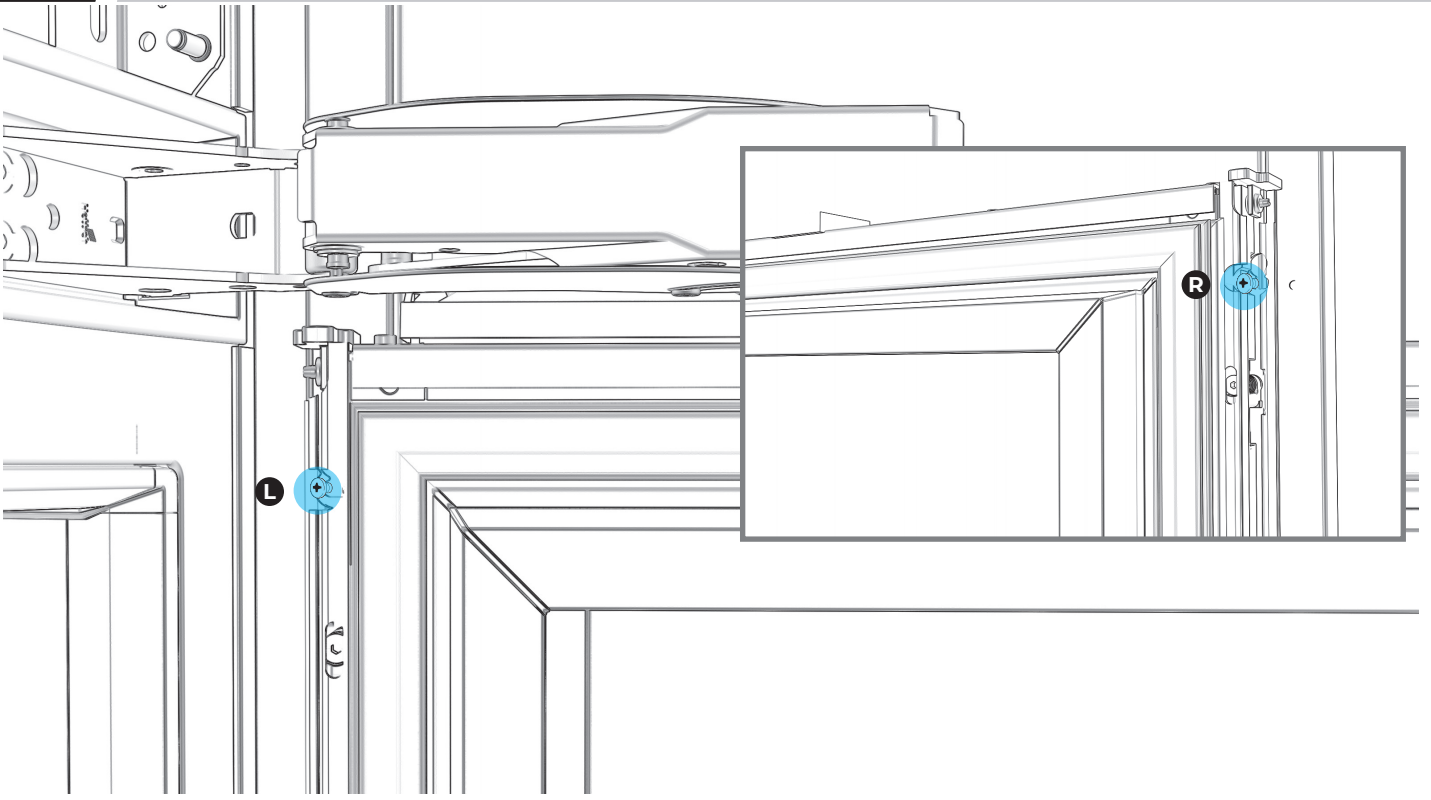


10.2

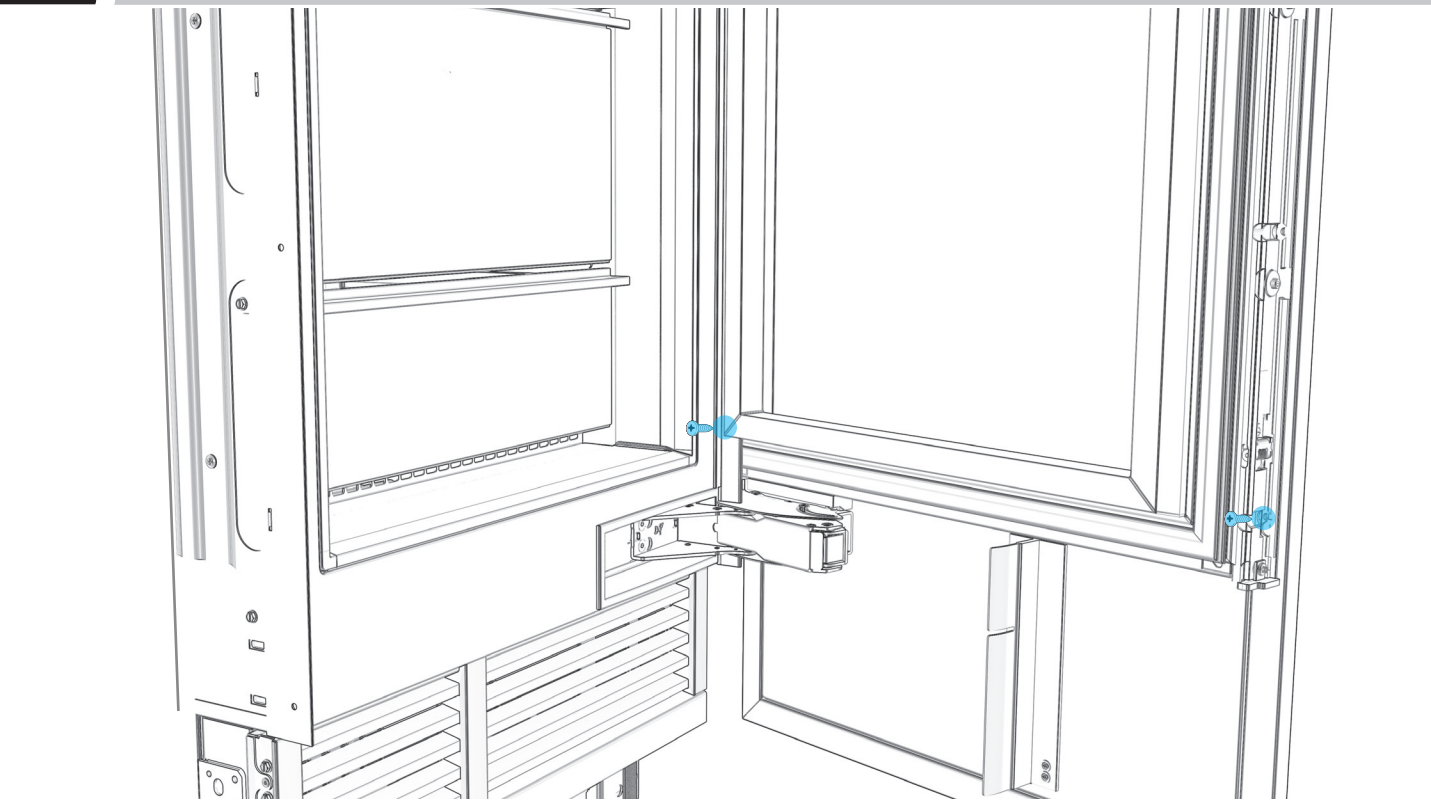
MANUALLY ADJUST POSITION OF DOOR PANEL.



10.3 TIGHTEN TOP TWO FASTENERS.



10.4 LOOSELY DRIVE IN TWO BOTTOM FASTENERS.

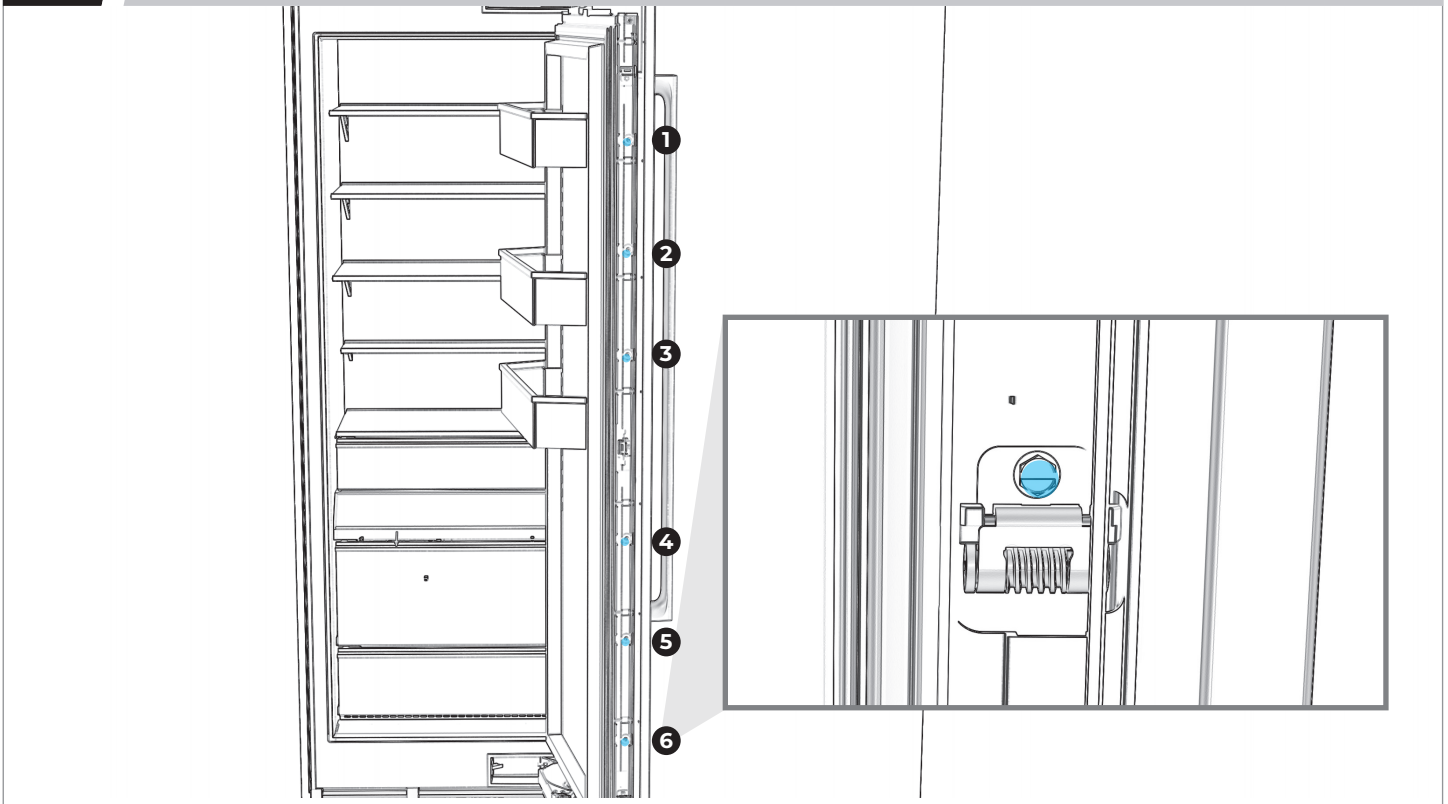


10

PANEL HANGING AND ADJUSTMENT

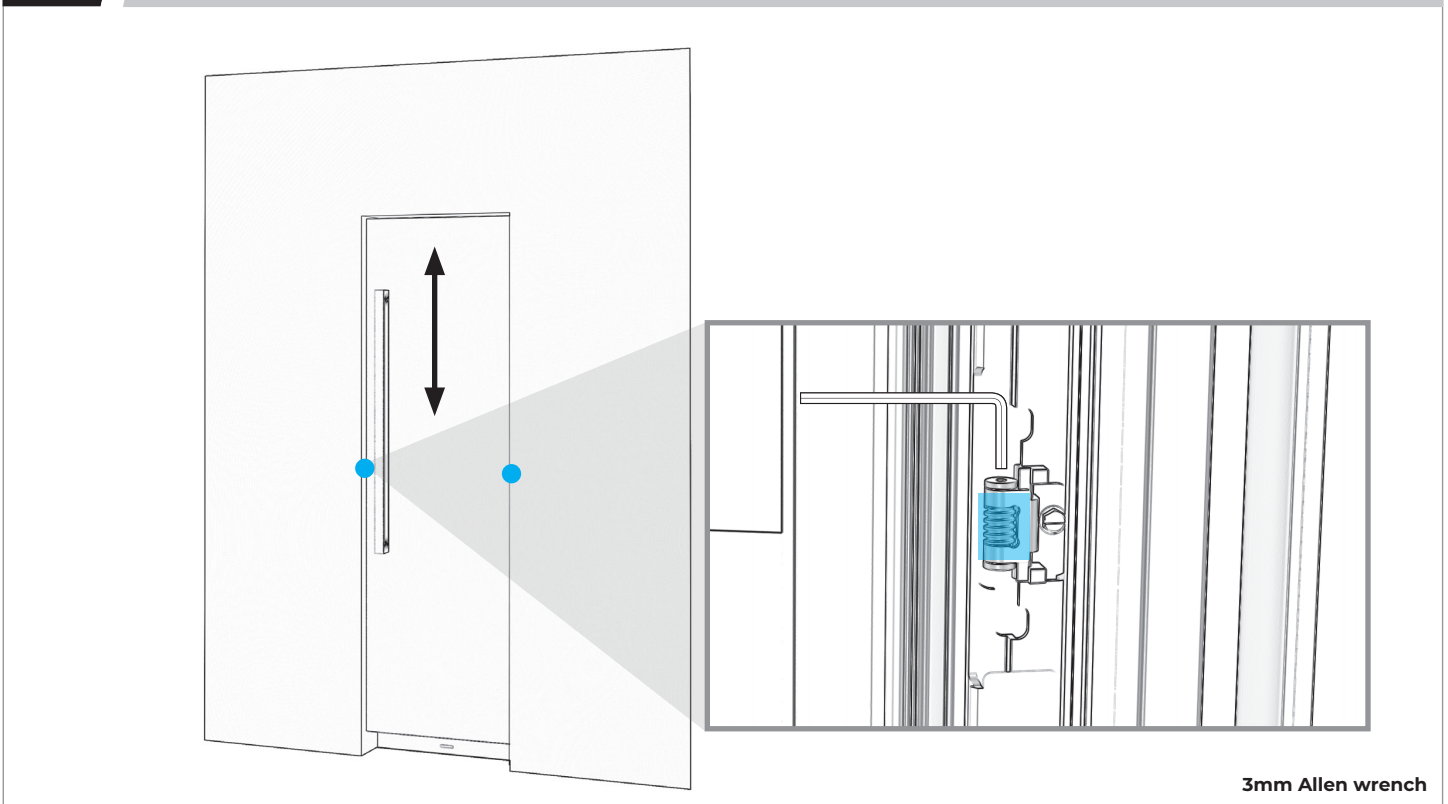
10.5

LOOSEN SIX ADJUSTMENT SCREWS PER SIDE.



10.6

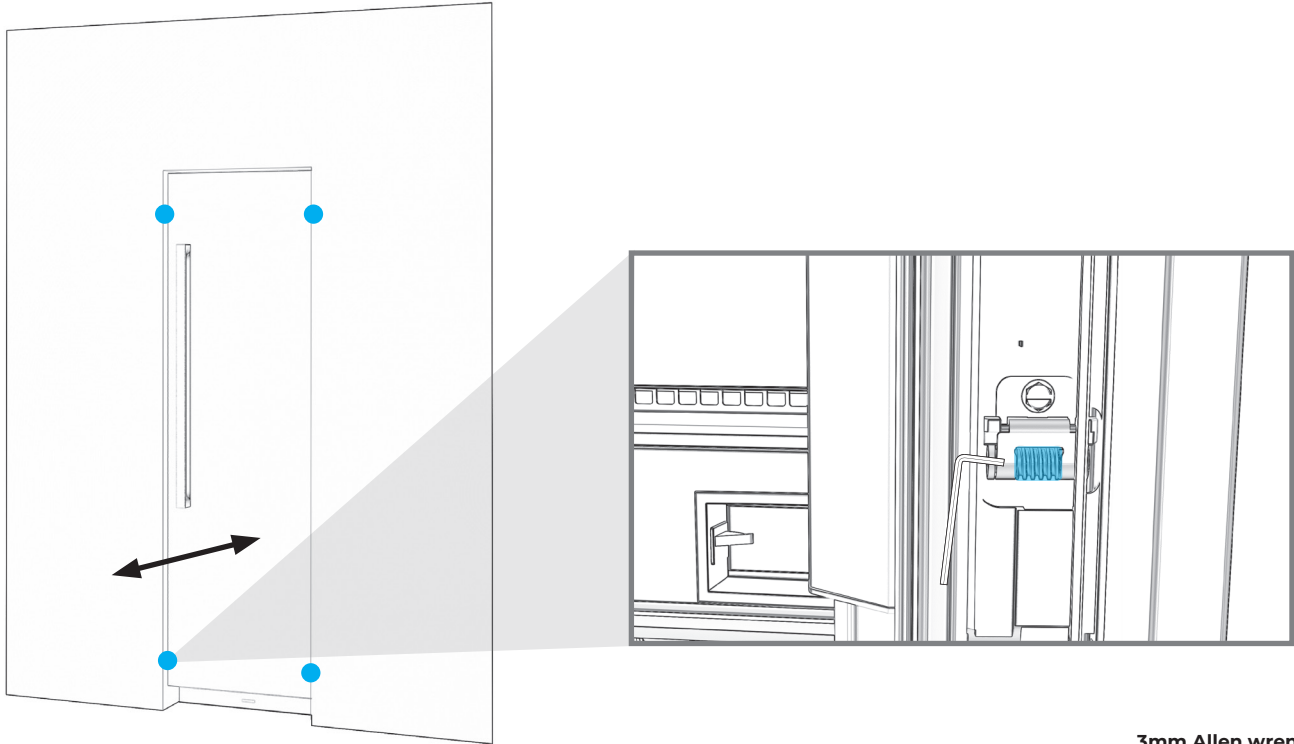
ADJUST DOOR PANEL HEIGHT UP AND DOWN.



3mm Allen wrench

10.7

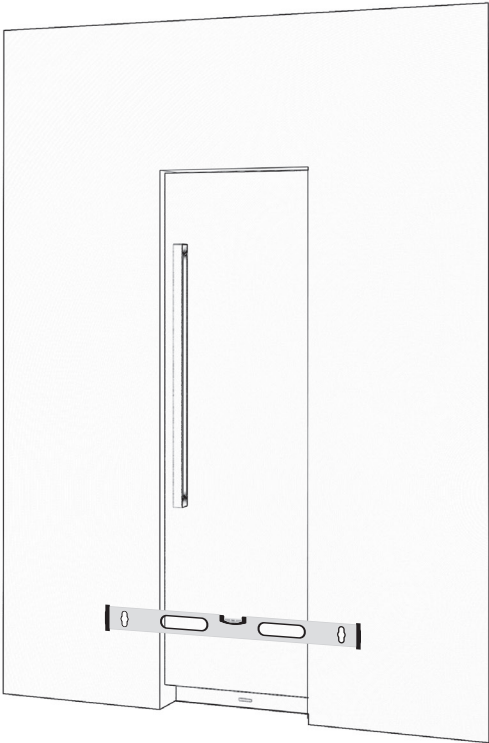
ADJUST DEPTH OF THE DOOR PANEL.



3mm Allen wrench

10.8

CHECK THAT DOOR PANEL IS IN PLANE WITH FURNITURE.

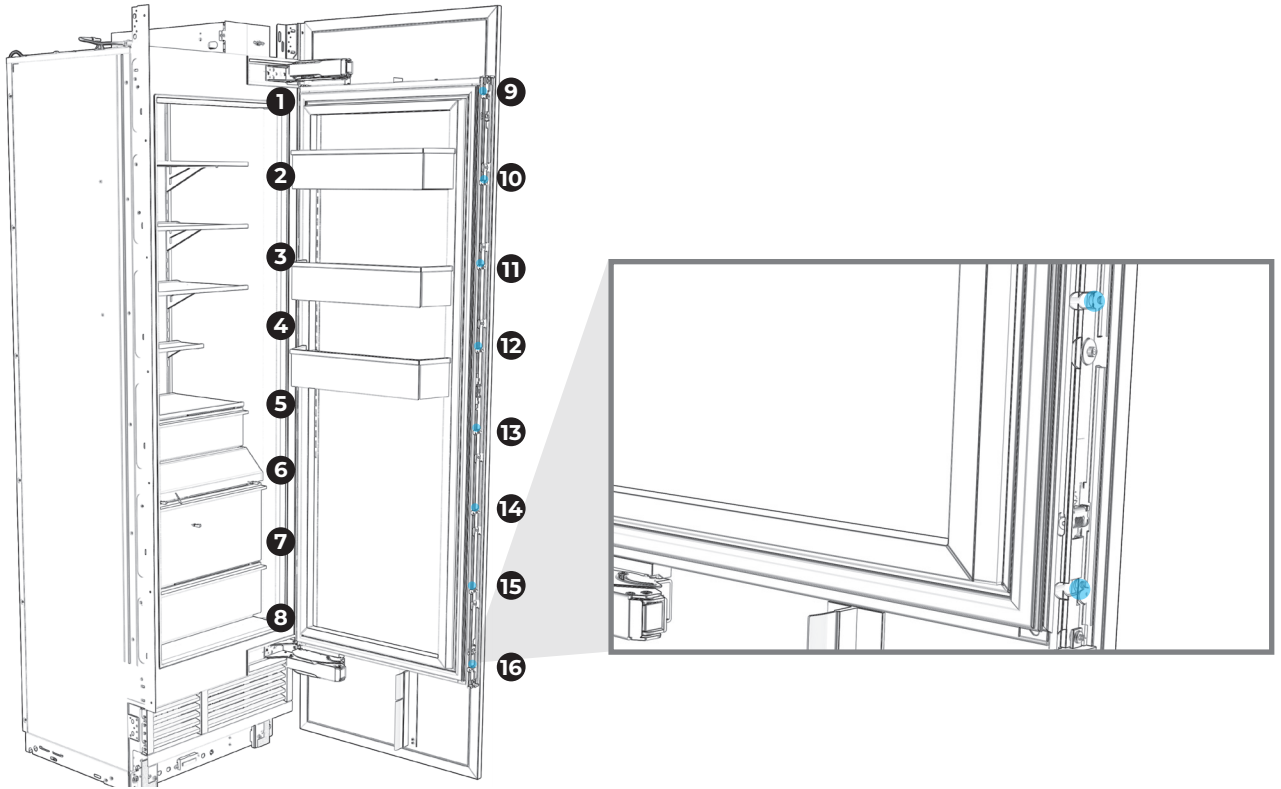


10

PANEL HANGING AND ADJUSTMENT

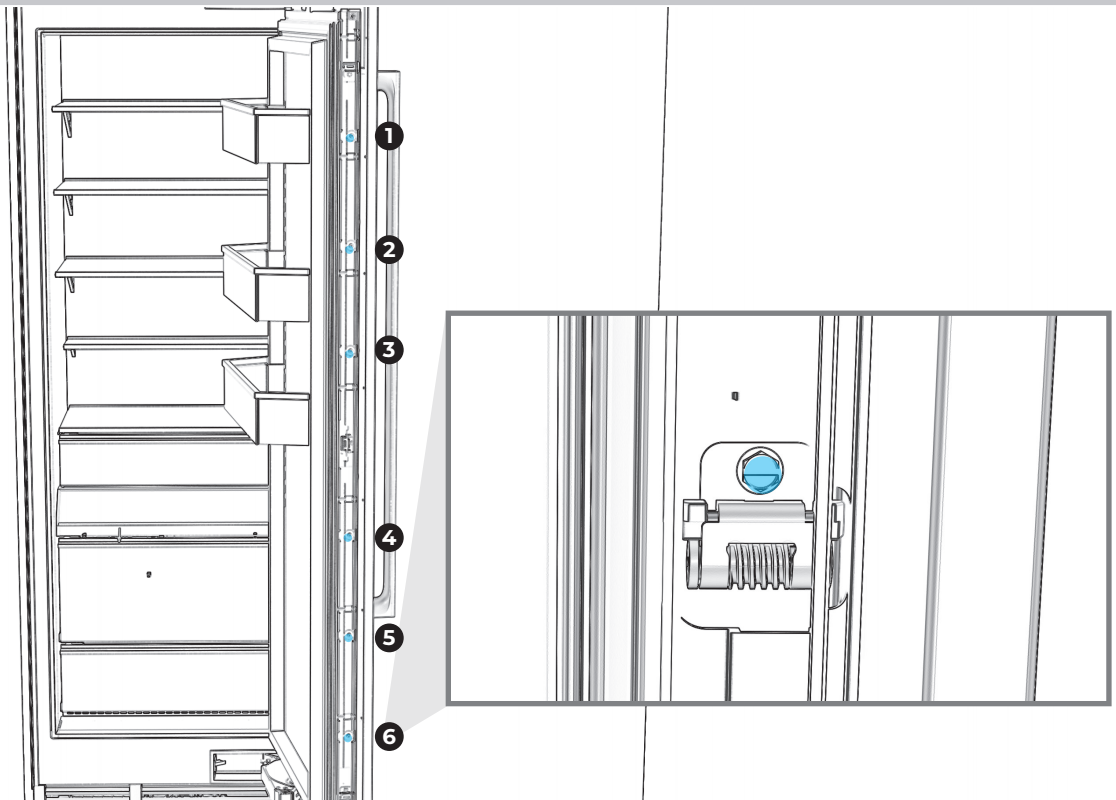
10.9

INSERT AND TIGHTEN ALL 16 FASTENERS.



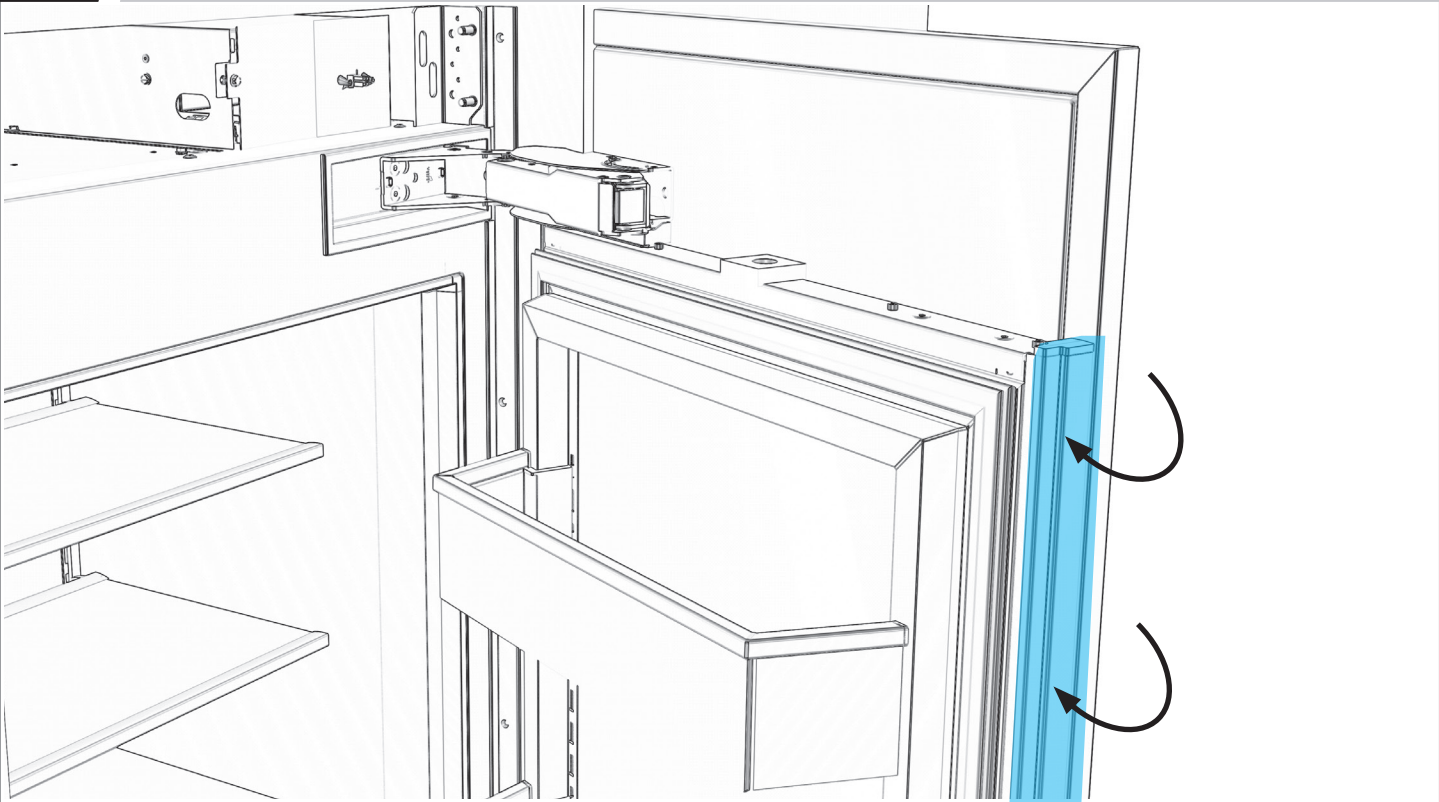
10.10

TIGHTLY SECURE SIX ADJUSTMENT SCREWS PER SIDE.



10.11

REINSTALL BRACKET TRIMS.



C O M P L E T E
INSTALLATION

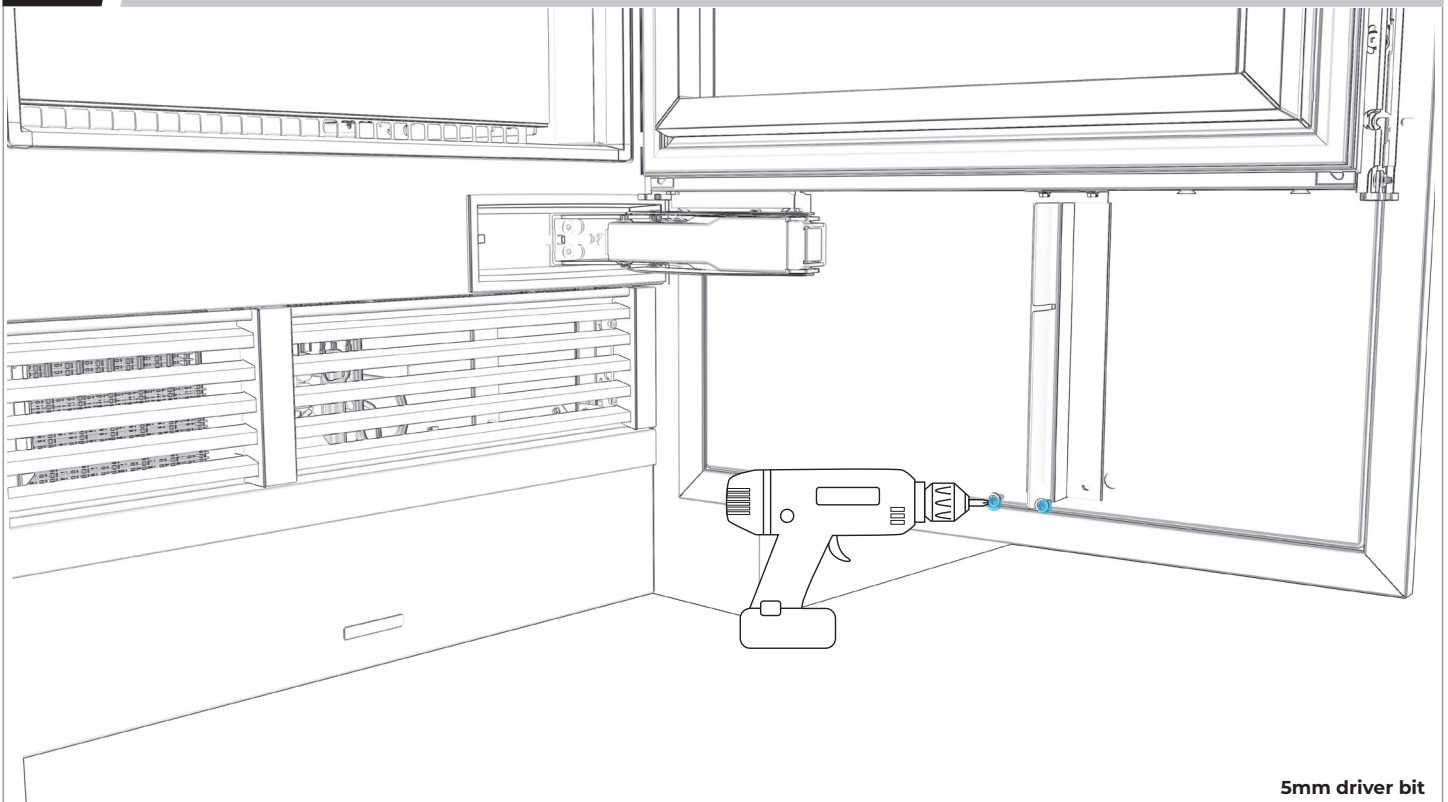
11.1

DRAW SIDE TRIM TIGHT ON EACH SIDE.



11.2

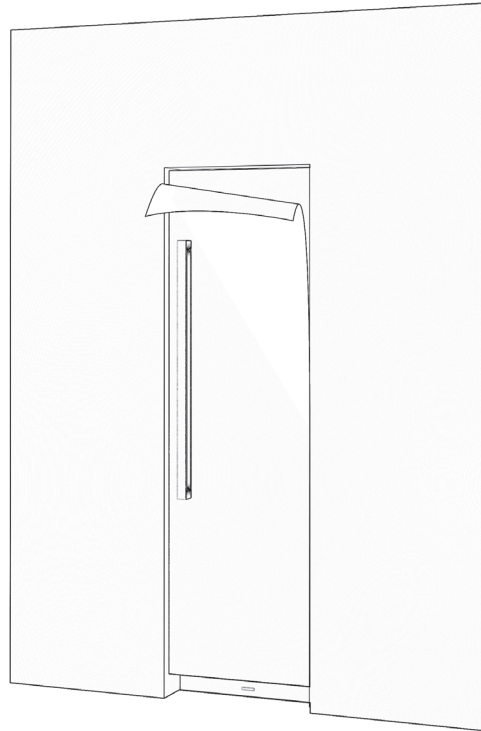
SECURE AIR DIVIDER TO DOOR PANEL.



5mm driver bit

11.3

REMOVE FILM.



BEFORE FINAL CHECK, READ WARNING.

⚠ WARNING



Electrical Shock Hazard

Plug into a grounded 3 prong outlet.

Do not remove ground prong.

Do not use an adapter.

Do not use an extension cord.

Failure to follow these instructions can result in death, fire, or electrical shock.

FINAL CHECK

- All packaging removed from the residence
- Column plugged in, powered on and operating at peak performance
- Column leveled
- Panels aligned and rechecked after 20 minutes operation
- Water supply properly connected with no leaks
- Water filter installed (not applicable with reverse osmosis system)
- Water dispenser and/or ice maker working
- Any problems with installation or parts reported to JennAir Epicenter

OWNER WALKTHROUGH

If the owner is present, provide them with the User Guide. Guide the owner through:

- Control panel functions
- App and WiFi setup
- Discarding first few batches of ice
- Replacing the water filter
- Registering their column
- How to contact JennAir Epicenter through jennair.com or at 1-800-JENNAIR (536-6247)

APPENDIX

ADDITIONAL SHIM INFORMATION

FINDING TOP SHIM THICKNESS

1. Measure and record the distance between the top left and right shim footprints.
Record this measurement below as "A".

A = _____

2. Use the below table to find the B value for your model width.
Then subtract B from A to find C:

$$\begin{array}{r} \underline{\hspace{2cm}} \\ A \end{array} - \begin{array}{r} \underline{\hspace{2cm}} \\ B \end{array} = \begin{array}{r} \underline{\hspace{2cm}} \\ C \end{array}$$

Model Width	B
18"	17-3/4" (45.1 cm)
24"	23-3/4" (60.3 cm)
30"	29-3/4" (75.6 cm)
36"	35-3/4" (90.8 cm)

3. Divide C by 2 to find the required top shim thickness:

$$\begin{array}{r} \underline{\hspace{2cm}} \\ C \end{array} / \begin{array}{r} \underline{\hspace{2cm}} \\ 2 \end{array} = \begin{array}{r} \underline{\hspace{2cm}} \\ \text{Thickness} \end{array}$$

Create the appropriate shim thickness by stacking a combination of the shims provided, if necessary.

APPENDIX

ADDITIONAL SHIM INFORMATION

FINDING BOTTOM SHIM THICKNESS

1. Measure and record the distance between the bottom left and right shim footprints. Record this measurement below as "D".

D = _____

2. Use the below table to find the E value for your model width. Then subtract E from D to find F:

$$\begin{array}{r} \underline{\hspace{2cm}} \\ D \end{array} - \begin{array}{r} \underline{\hspace{2cm}} \\ E \end{array} = \begin{array}{r} \underline{\hspace{2cm}} \\ F \end{array}$$

Model Width	E
18"	17-1/2" (44.5 cm)
24"	23-7/16" (59.5 cm)
30"	29-7/16" (74.8 cm)
36"	35-7/16" (90 cm)

3. Divide F by 2 to find the required bottom shim thickness:

$$\begin{array}{r} \underline{\hspace{2cm}} \\ F \end{array} / \begin{array}{r} \underline{\hspace{2cm}} \\ 2 \end{array} = \begin{array}{r} \underline{\hspace{2cm}} \\ \text{Thickness} \end{array}$$

Create the appropriate shim thickness by stacking a combination of the shims provided, if necessary.

Votre sécurité et celle des autres est très importante.

Nous donnons de nombreux messages de sécurité importants dans ce manuel et sur votre appareil ménager. Assurez-vous de toujours lire tous les messages de sécurité et de vous y conformer.



Voici le symbole d'alerte de sécurité.

Ce symbole d'alerte de sécurité vous signale les dangers potentiels de décès et de blessures graves à vous et à d'autres.

Tous les messages de sécurité suivront le symbole d'alerte de sécurité et le mot "DANGER" ou "AVERTISSEMENT". Ces mots signifient :

⚠ DANGER

Risque possible de décès ou de blessure grave si vous ne suivez pas immédiatement les instructions.

⚠ AVERTISSEMENT

Risque possible de décès ou de blessure grave si vous ne suivez pas les instructions.

Tous les messages de sécurité vous diront quel est le danger potentiel et vous disent comment réduire le risque de blessure et ce qui peut se produire en cas de non-respect des instructions.

IMPORTANTES INSTRUCTIONS DE SÉCURITÉ

AVERTISSEMENT : Pour réduire le risque d'incendie, de choc électrique ou de blessure dans le cadre de l'utilisation du réfrigérateur, suivre les consignes de base suivantes :

- Pour éviter un danger provoqué par l'instabilité de l'appareil, ce dernier doit être fixé selon les instructions.
- Brancher l'appareil sur une prise à 3 alvéoles reliée à la terre.
- Installation ne devrait être effectuée que par le fabricant ou un agent autorisé.
- Ne pas enlever la prise de liaison à la terre.
- Ne pas utiliser d'adaptateur.
- Ne pas utiliser de rallonge.
- Déconnecter la source de courant électrique avant l'entretien.
- Replacer pièces et panneaux avant de faire la mise en marche.
- Enlever les portes de votre ancien réfrigérateur.
- Utiliser un produit de nettoyage ininflammable.
- Ne pas remiser ou utiliser de l'essence ou tout autre liquide ou vapeur inflammable à proximité de cet appareil ou de tout autre appareil électroménager. Les émanations peuvent causer des incendies ou explosions.
- Ne pas entreposer de substances explosives comme des aérosols avec agent propulseur inflammable dans ce réfrigérateur.
- Ne pas utiliser ou placer de dispositif électrique à l'intérieur des compartiments du réfrigérateur si ce dispositif ne correspond pas au type de dispositif expressément autorisé par le fabricant.
- Il faut l'aide d'au moins deux personnes pour déplacer et installer le réfrigérateur.
- Déconnecter la source de courant électrique avant d'installer la machine à glaçons (sur modèles avec ensemble de machine à glaçons prêt-à-installer uniquement).
- L'installation de la canalisation d'eau et de la machine à glaçons doit être effectuée par un technicien de service qualifié. Consulter les instructions d'installation fournies avec la trousse de machine à glaçons IC13B pour tous les détails.
- Raccorder à la canalisation d'arrivée d'eau potable uniquement.
- Utiliser un verre robuste pour prendre des glaçons (sur certains modèles).
- Cet appareil ne convient pas à une utilisation par des personnes (y compris des enfants) à capacités physiques, sensorielles ou mentales réduites, ou possédant un manque d'expérience et de connaissances, à moins qu'elles ne soient placées sous supervision ou qu'elles aient reçu des instructions concernant l'utilisation de l'appareil par une personne responsable de leur sécurité.
- Les enfants doivent être placés sous surveillance afin de s'assurer qu'ils ne jouent pas avec l'appareil.
- Pour éviter que les enfants ne soient coincés et ne suffoquent à l'intérieur du réfrigérateur, ne pas les laisser jouer ou se cacher à l'intérieur de l'appareil.
- Si le cordon d'alimentation est endommagé, il doit être remplacé par le fabricant, son agent de réparation ou toute autre personne qualifiée afin d'éviter tout danger.
- Ce réfrigérateur est destiné à un usage domestique et à d'autres usages similaires tels que :
 - espace de cuisine pour personnel de boutiques, bureaux et autres environnements professionnels;
 - résidences fermières et utilisation par les clients d'hôtels, de motels et d'autres types de résidences;
 - environnements de type chambres d'hôtes;
 - Banquets et autres utilisations non commerciales semblables.

CONSERVEZ CES INSTRUCTIONS

⚠ AVERTISSEMENT

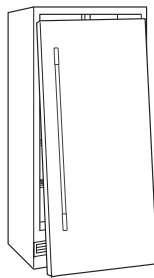
Risque de suffoquer

Enlever les portes de votre vieux réfrigérateur.

Le non-respect de cette instruction peut causer un décès ou des lésions cérébrales.

Renseignements importants à propos de la mise au rebut des fluides réfrigérants :

Mettre le réfrigérateur au rebut conformément à la réglementation fédérale et locale. Les fluides réfrigérants doivent être évacués par un technicien certifié et agréé par l'EPA conformément aux procédures établies.



IMPORTANT: Le risque qu'un enfant puisse se retrouver coincé et suffoquer n'est pas chose du passé. Les réfrigérateurs jetés ou abandonnés restent dangereux, même s'ils ne restent à l'extérieur que pour "quelques jours seulement". Si l'ancien réfrigérateur doit être mis au rebut, suivre les instructions suivantes afin d'éviter les accidents.

Avant de jeter l'ancien réfrigérateur ou congélateur :

- Enlever les portes.
- Laisser les tablettes en place de sorte que les enfants ne puissent pas y pénétrer facilement.

F A C I L E . R A P I D E . S É C U R I T A I R E .

Grâce au tout premier réfrigérateur intégré en colonne JennAir®, nous avons complètement repensé le processus d'installation pour éliminer les problèmes que rencontre notre concurrence de moins bonne qualité. Voici quelques-unes des caractéristiques très attendues par les installateurs professionnels :

- **Ajustement en 6 points du panneau dissimulé**
Alignement facile et précis
- **Cales du système Rotter ajustable sur place**
Guident et gardent l'appareil en place
- **Nivellement avant précis en 4 points**
Sur de robustes roulettes qui peuvent facilement supporter le poids complet
- **Façade en métal**
Augmente la durabilité
- **Panneau en acier inoxydable avec coeur en bois**
Facile à préparer et à suspendre, ne requiert pas de perçage dans l'acier
- **Zones utilitaires améliorées**
Réduit les modifications pour remplacer un appareil intégré ou l'appareil désuet d'un compétiteur

Et grâce à votre aide, nous nous améliorons sans cesse.

Communiquer avec l'Epicenter de JennAir en passant par le site Web au jennair.com ou en composant le 1 800 JENNAIR (536-6247) pour nous faire part de vos conseils et astuces d'installation ou pour consulter un expert qui connaît sur le bout des doigts le processus d'installation.

POURQUOI AIMONS-NOUS LES INSTALLATEURS JENNAIR ?

PARCE QU'ILS SONT COMPLÈTEMENT PROFESSIONNELS (ET PERFECTIONNISTES).

Tout ce qui compte, c'est une installation aussi parfaite que possible avec un ajustement au millimètre près. Une installation sans faille est très importante pour le fonctionnement, l'apparence et la durée de vie du produit, et c'est exactement ce que nos installateurs font tous les jours.

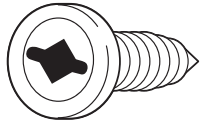
ILS FONT LEURS DEVOIRS. ET NOUS AIDENT À FAIRE LES NÔTRES.

Ces experts connaissent les produits JennAir® sur le bout de leurs doigts. Ils se forment de façon intensive pour l'installation des produits JennAir, apprenant les plus récentes techniques et les conseils des initiés pour pouvoir installer facilement nos appareils à la fine pointe de la technologie. Nous attribuons une grande valeur à leurs commentaires, c'est pourquoi nous les utilisons pour améliorer et perfectionner nos installations.

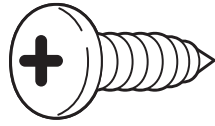
ILS PENSENT À TOUS LES DÉTAILS DE L'EXPÉRIENCE.

La base, c'est un dévouement hors du commun. L'expérience JennAir commence dès l'instant où un installateur apporte un réfrigérateur intégré en colonne chez un client. Maintenir le site propre, prendre un soin extrême des appareils et de la maison, ainsi que fournir une introduction inoubliable pour comprendre l'appareil sont tous des éléments du plan de match.

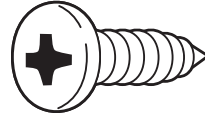
OUTILS ET PIÈCES INCLUS



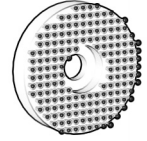
Vis à tête carrée no 2
(3-24004-079)



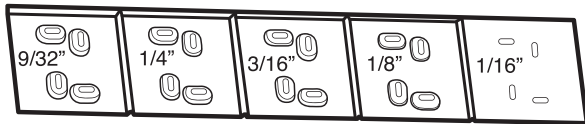
Vis à tête cruciforme
8-18 x 3/4 po
(W11041176)



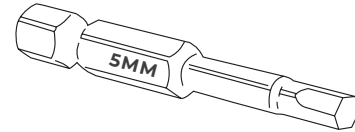
Vis 6-20 x 0,375 po
(246131)



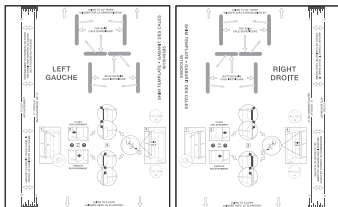
Coussins de prise
(W10840464)



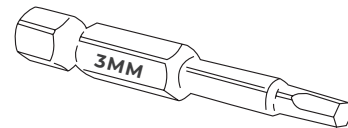
Quatre cales d'installation
(W10913387)



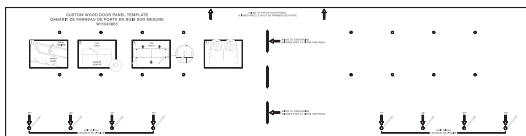
Embout de perceuse 5 mm
(W11121505)



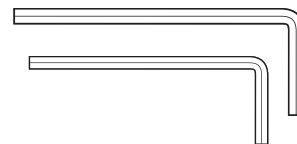
Gabarit d'installation des cales
(W11040585)



Embout de perceuse 3 mm
(W11121512)



Gabarit d'installation de la plinthe et du panneau de porte
(W11040865)



Clé hexagonale de 3 mm
Clé hexagonale de 5 mm



LIRE ET OBSERVER LES INSTRUCTIONS D'INSTALLATION FOURNIES
AVEC CHACUN DES OUTILS MENTIONNÉS DANS LA LISTE

OUTILS ET PIÈCES

NON INCLUS

OUTILS

- Perceuse sans fil avec foret ou tournevis à percussion
- Ensemble de forets incluant des forets de 3/32 po et 1/8 po
- Deux clés à molette
- Embout de tournevis cruciforme no 2
- Tourne-écrou magnétique de 1/4 po
- Embout de perceuse carré no 2
- Niveau ou règle plate de 48 po ou plus
- Clés plates de 3/8 po et 1/2 po
- Ruban à mesurer
- Couteau utilitaire
- Ruban adhésif de masquage
- Chariot pour appareil ménager
- Adaptateur de perceuse à angle droit
- Rallonge pour perceuse de 6 po
- Assortiment de vis à bois à tête plate no 8 de 1 po, 1 1/4 po et 1 1/2 po de long

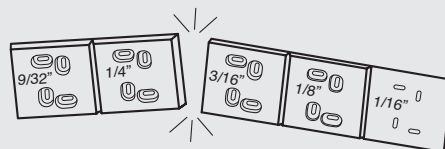
PIÈCES

- Tuyau d'entrée d'eau flexible approuvé par le code
- Panneaux de porte décoratifs personnalisés
 - Panneaux en acier inoxydable : à commander de JennAir
 - Panneaux de bois personnalisés : consulter un fabricant de meubles ou un menuisier qualifié
- Des attaches supplémentaires seront requises en fonction de la fabrication des meubles de cuisine

POURQUOI UTILISER LES CALES DU SYSTÈME ROTTER?

Cette procédure recommandée pourrait ne pas sembler familière aux installateurs, mais elle ajoute beaucoup de valeur au client comme à vous. Utiliser le système Rotter pour :

- Aider à positionner l'appareil sans rayer de surfaces
- Créer un dégagement précis de 1/8 po de chaque côté
- Toujours avoir à portée de la main des cales conçues pour chacun des côtés
- Garder l'appareil stable dans l'ouverture pour toute la durée de vie utile
- Éliminer les problèmes d'alignement pour votre client



DIMENSIONS

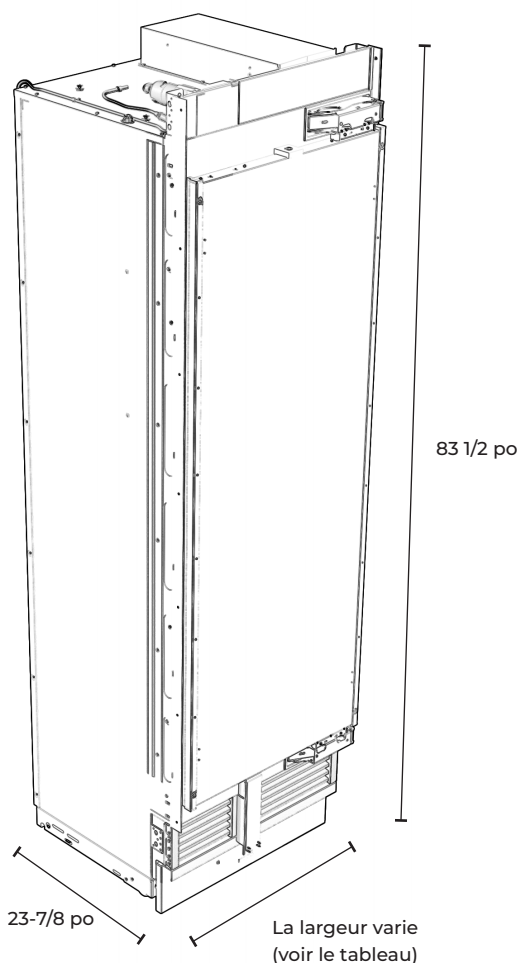
PRODUIT

APERÇU DU PRODUIT (SANS PANNEAU)

Largeur	Consulter le tableau de largeur du produit ci-dessous
Hauteur	83-1/2 po (212 cm)
Profondeur	23 7/8 po (60,6 cm)
Hauteur de porte sans panneau	62 3/16 po (157,9 cm)
Hauteur de la plinthe	3 9/16 po (9,1 cm)
Profondeur de la plinthe	3 1/4 po – 4 7/8 po (8,3 cm – 12,4 cm)

LARGEUR DU PRODUIT

Modèle	Largeur
18 po JBZFR18IGX JBZFL18IGX	17-3/4 po (45,1 cm)
24 po JBRFR24IGX JBRFL24IGX JBZFR24IGX JBZFL24IGX	23-3/4 po (60,3 cm)
30 po JBRFR30IGX JBRFL30IGX JBZFR30IGX JBZFL30IGX	29-3/4 po (75,6 cm)
36 po JBRFR36IGX JBRFL36IGX	35-3/4 po (90,8 cm)



DIMENSIONS

ACCESSOIRES

PANNEAU EN ACIER INOXYDABLE

Hauteur	80 po (203,2 cm)
Épaisseur	13/16 po (2,1 cm)

PLINTHE PERSONNALISÉE

Hauteur	3-9/16 po (9,1 cm)
Épaisseur	3/16 po -3/4 po (,47 cm-1,9 cm)

PANNEAU PERSONNALISÉ

Épaisseur	3/4 po (1,9 cm) max.
Poids	60 lbs. (27,2 kg) max.
Hauteur habituelle	80 po (203,2 cm)

STYLE DE PORTE

LARGEUR DU PANNEAU PERSONNALISÉ

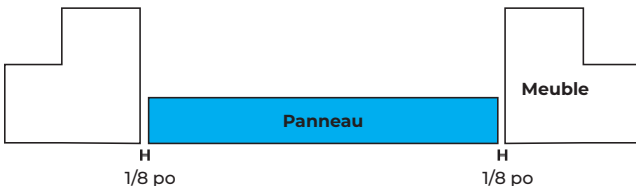
▲ MISE EN GARDE

Risque de pincement

L'installation de panneaux de porte avec un espacement de moins de 3/8 po (0,95 cm) entre le panneau de porte et l'armoire adjacente augmente le risque de pincement.

MODÈLE	LARGEUR EN AFFLEUREMENT
18 po	17-3/4 po (45,1 cm)
24 po	23-3/4 po (60,3 cm)
30 po	29-3/4 po (75,6 cm)
36 po	35-3/4 po (90,8 cm)

MODÈLE	LARGEUR PAR DESSUS
18 po	19 po (48,3 cm)
24 po	25 po (63,5 cm)
30 po	31 po (78,7 cm)
36 po	37 po (94 cm)

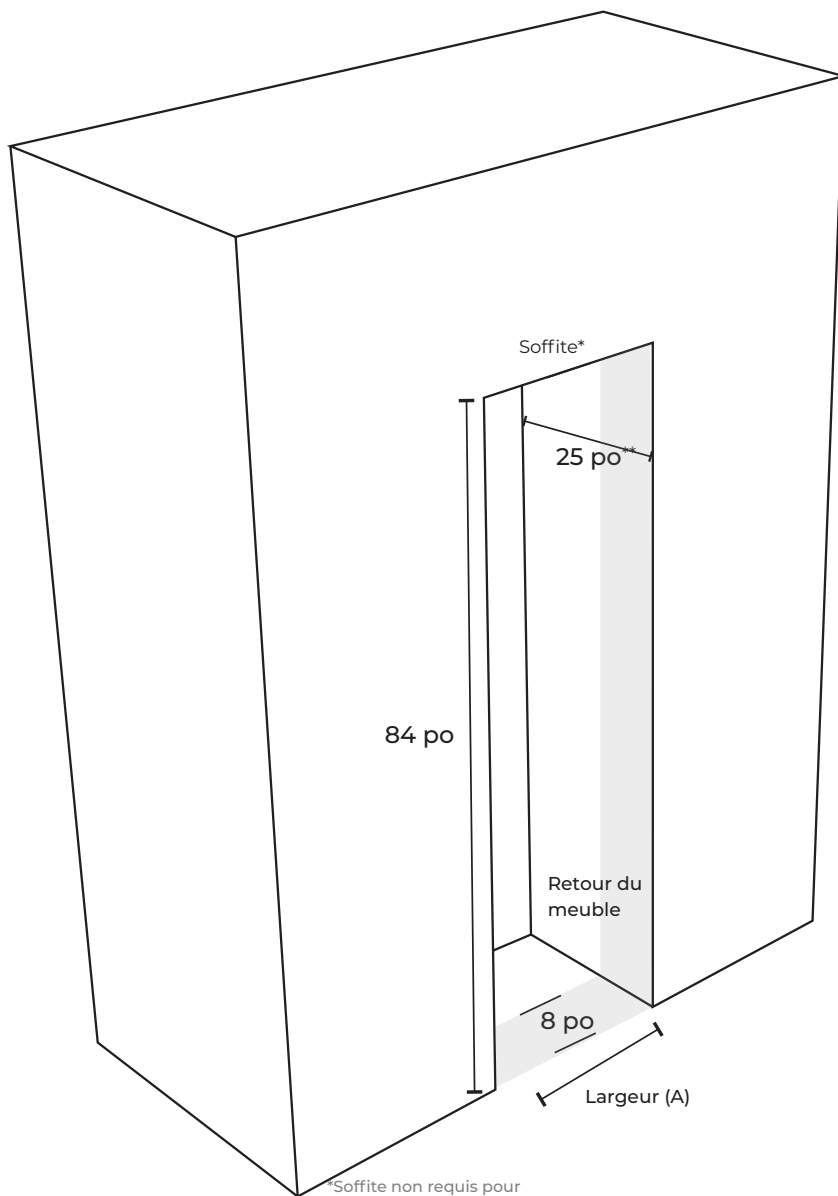


DIMENSIONS

OUVERTURE

LARGEUR DE L'OUVERTURE

Modèle	Largeur (A)
18 po JBZFR18IGX JBZFL18IGX	18 po (45,7 cm)
24 po JBRFR24IGX JBRFL24IGX JBZFR24IGX JBZFL24IGX	24 po (61 cm)
30 po JBRFR30IGX JBRFL30IGX JBZFR30IGX JBZFL30IGX	30 po (76,2 cm)
36 po JBRFR36IGX JBRFL36IGX	36 po (91,4 cm)



*Soffite non requis pour une installation avec compartiment unique

**24 po avec trousse de garniture de 24 po

DIMENSIONS

OUVERTURE

⚠ MISE EN GARDE

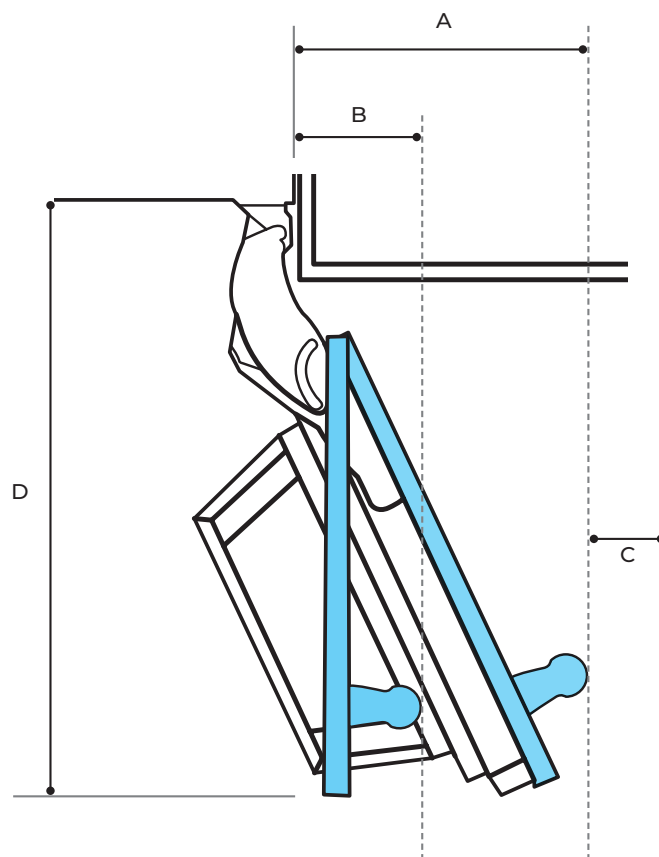
Risque de pincement

L'installation de panneaux de porte avec un espacement de moins de 3/8 po (0,95 cm) entre le panneau de porte et l'armoire adjacente augmente le risque de pincement.

EXIGENCES POUR L'OUVERTURE DE LA PORTE

Modèle	Ouverture de porte à 115° (A)	Ouverture de porte à 90° (B)	Espace avec le mur (C)	Profondeur d'ouverture de porte (D)
18 po	10-1/2 po (26,7 cm)	5 po (12,7 cm)	2-1/2 po (6,4 cm)	44-1/2 po (113 cm)
24 po	13 po (33 cm)	5 po (12,7 cm)	2-1/2 po (6,4 cm)	50-1/2 po (128,3 cm)
30 po	15-1/2 po (39,4 cm)	5 po (12,7 cm)	2-1/2 po (6,4 cm)	56-3/8 po (143 cm)
36 po	18 po (45,7 cm)	5 po (12,7 cm)	2-1/2 po (6,4 cm)	62-7/16 po (158,6 cm)

Les dimensions donnent 2 1/2 po d'espace entre la poignée en acier inoxydable et le mur pour éviter les pincements. Si un panneau de bois personnalisé est utilisé, ne pas oublier la profondeur de la poignée pour conserver un espace de 2 1/2 po.



PRÉPARATION DE L'EMPLACEMENT

1. VÉRIFIER LE MEUBLE

- Mesurer pour s'assurer que toutes les dimensions de l'ouverture sont bonnes. (Voir la page précédente.)
- Panneau latéral : Contreplaqué de 3/4 po (1,9 cm) d'épaisseur
IMPORTANT : Ne doit pas être fabriqué en fibres pressées comme le MDF.
- Hauteur du soffite (si présent) : 84 po (213,4 cm)

⚠ AVERTISSEMENT



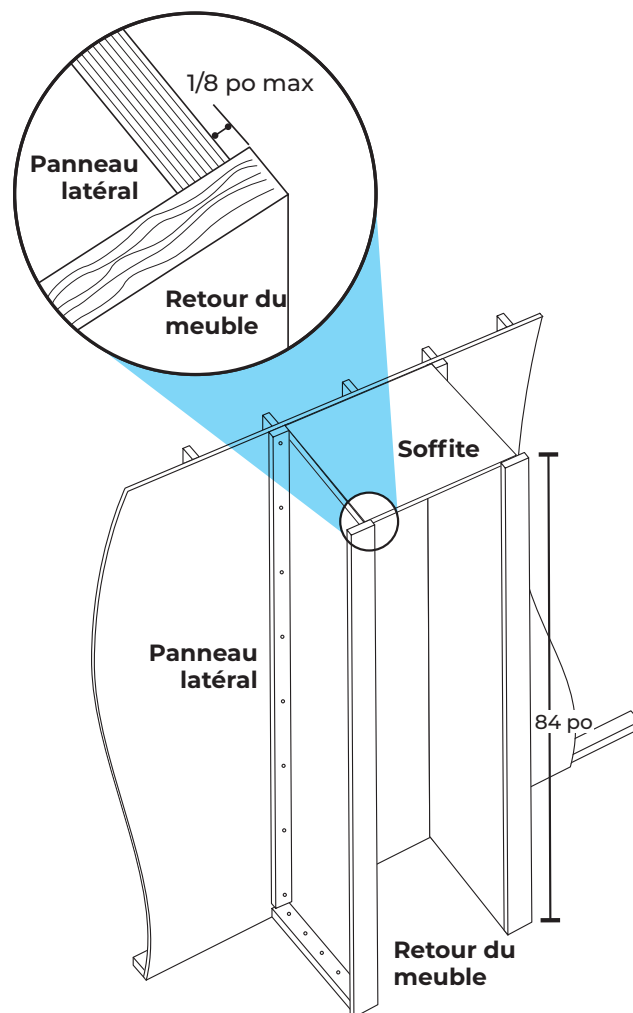
Risque d'explosion

Garder les matériaux et les vapeurs inflammables, telle que l'essence, loin du réfrigérateur.

Le non-respect de cette instruction peut causer un décès, une explosion ou un incendie.

2. VÉRIFIER LE LIEU DE L'INSTALLATION

- Loin de tout four, radiateur ou autre source de chaleur.
- La température ne doit pas descendre sous 55 °F (13 °C).
- Le plancher doit pouvoir supporter plus de 600 lb. [272 kg], les panneaux de porte et le contenu.
- Plancher de la pièce d'aplomb.
- Avant du meuble d'aplomb.



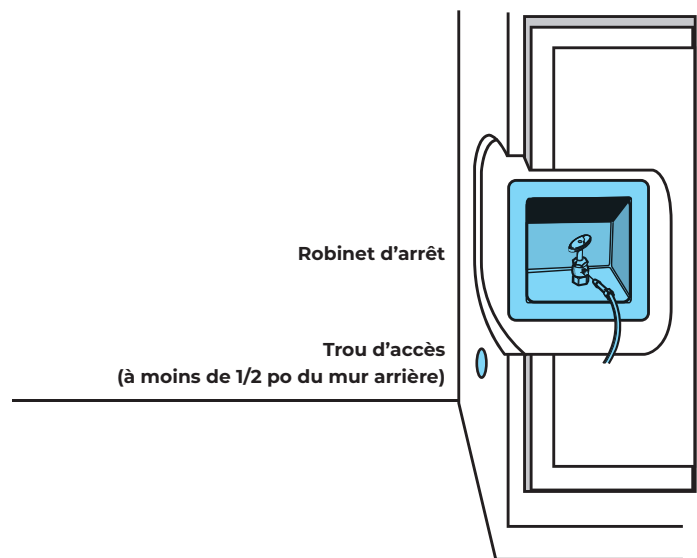
PRÉPARATION DE L'EMPLACEMENT

3. VÉRIFIER L'ARRIVÉE D'EAU

- L'arrivée d'eau est conforme avec les codes locaux de plomberie.
- Le robinet d'arrêt est situé dans l'armoire du bas, comme indiqué, ou dans un espace facile d'accès.
- Le trou d'accès à travers l'armoire se trouve à moins de 1/2 po (1,3 cm) du mur arrière.
- N'installer de tuyau supplémentaire que si la température reste au-dessus du point de congélation. Vérifier qu'il n'y a pas de fuite.
- Ne pas utiliser de robinet d'arrêt de type à percer de 3/16 po (4,76 mm). Demander au marchand de réfrigérateurs une trousse de robinet d'arrêt à étrier conforme avec les codes locaux de plomberie.
- Si la pression d'eau au système de filtration par osmose inverse est inférieure à 40 – 60 lb/po² (276 – 414 kPa) :
 - Vérifier que le filtre à sédiment n'est pas bloqué. Remplacer le filtre si nécessaire.
 - Laisser le réservoir se remplir après une utilisation intense.
 - Enlever la cartouche de filtre à eau. Aucune dérivation de filtre n'est nécessaire.

SPÉCIFICATIONS DE L'ALIMENTATION EN EAU

Pression d'eau	30 – 120 lb/po ² (207 – 827 kPa)
Pression d'eau au système d'osmose inverse	40 – 60 lb/po ² (276 – 414 kPa) min.
Excédent de canalisation d'eau pour le raccordement	30 po (76,2 cm)
Alimentation	Tuyau en cuivre, à tresse d'acier inoxydable ou PEX d'un diamètre extérieur de 1/4 po



POUR TOUTE QUESTION AU SUJET DE L'ALIMENTATION EN EAU, FAIRE APPEL À UN PLOMBIER QU'ALIFIÉ À GRÉÉ

PRÉPARATION DE L'EMPLACEMENT

⚠ AVERTISSEMENT



Risque de choc électrique

Brancher sur une prise à 3 alvéoles reliée à la terre.

Ne pas enlever la broche de liaison à la terre.

Ne pas utiliser un adaptateur.

Ne pas utiliser un câble de rallonge.

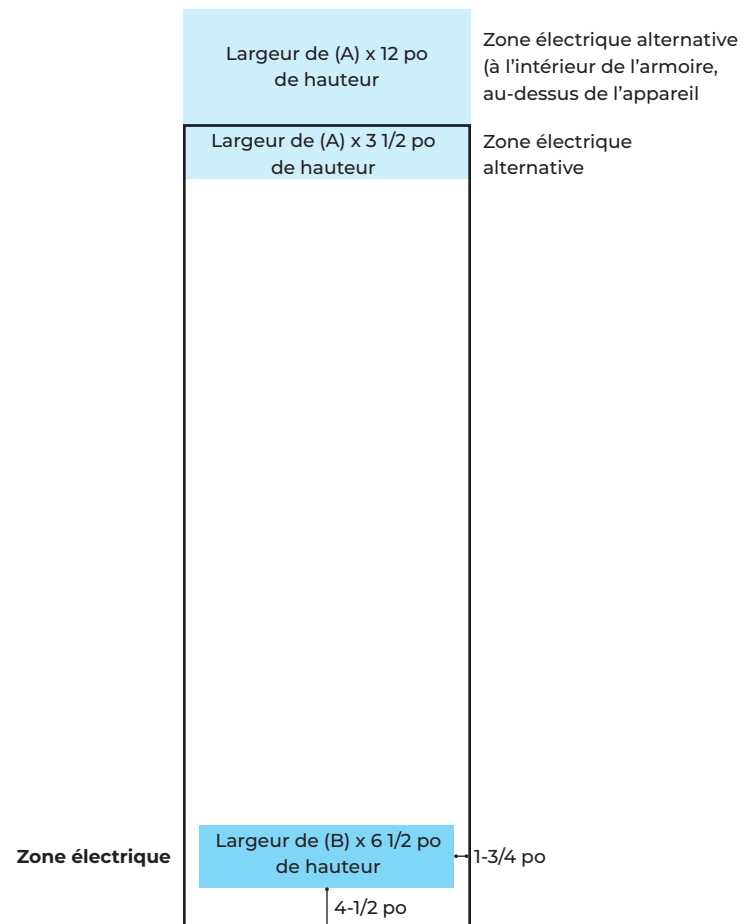
Le non-respect de ces instructions peut causer un décès, un incendie ou un choc électrique.

4. VÉRIFIER L'ÉLECTRICITÉ

- Le réfrigérateur intégré en colonne doit être branché sur un circuit séparé. La prise de courant ne doit pas pouvoir être éteinte par un interrupteur.
- Ne pas utiliser de rallonge.
- Ne pas utiliser une prise protégée par un disjoncteur différentiel.
- Ne pas utiliser une prise protégée par un disjoncteur différentiel.

SPÉCIFICATIONS ÉLECTRIQUES

Largeur du produit/ largeur de la zone électrique alternative (A)	Largeur de la zone électrique (B)
18 po (45,7 cm)	14-1/2 po (36,8 cm)
24 po (61 cm)	20-1/2 po (52 cm)
30 po (76,2 cm)	26-1/2 po (67,3 cm)
36 po (91,4 cm)	32-1/2 po (82,6 cm)



? POUR TOUTE QUESTION AU SUJET DE L'ALIMENTATION ÉLECTRIQUE, FAIRE APPEL À UN ÉLECTRICIEN QU ALIFIÉ AGRÉÉ

PRÉPARATION DE L'EMPLACEMENT

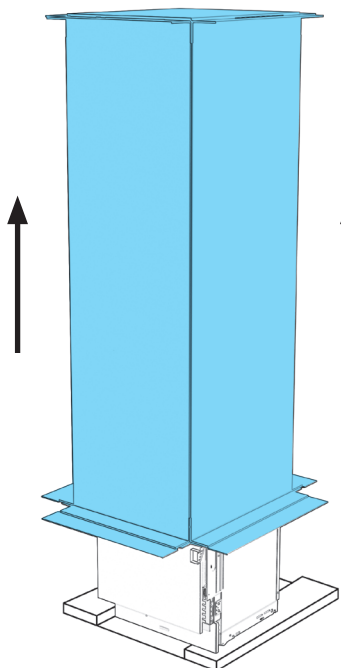
5. VÉRIFICATION AVANT L'INSTALLATION

- Vérifier le style de porte choisi par le client.
- Enlever tous les éléments d'installation du tiroir pour spécialités.
- Marque le style de porte choisi sur les gabarits et les gabarits de profondeur de porte à l'aide d'un marqueur indélébile.
- Vérifier que les mesures diagonales de l'ouverture correspondent.
- Consulter le document de conception pour vérifier les dimensions de la plinthe et du panneau, ainsi que les ouvertures et chevauchements.

PRÉPARATION DE
L'APPARENCE!

1.1

RETIRER L'APPAREIL DE LA BOÎTE, JETER CARTON.



ENLEVER LA TROUSSE D'INSTALLATION DU TIROIR À SPÉCIALITÉ
PENDANT QUE L'APPAREIL EST ENCORE SUR LES PATINS

AVANT DE DÉPLACER L'APPAREIL, LIRE TOUS LES AVERTISSEMENTS.

AVERTISSEMENT



Risque de basculement

Le réfrigérateur est lourd au sommet et bascule facilement lorsqu'il n'est pas complètement installé.

Garder les portes fermées avec un ruban adhésif jusqu'à l'installation complète du réfrigérateur.

Utiliser deux ou plus de personnes pour déplacer et installer le réfrigérateur.

Le non-respect de ces instructions peut causer un décès ou une blessure grave.

Déplacement de votre réfrigérateur :

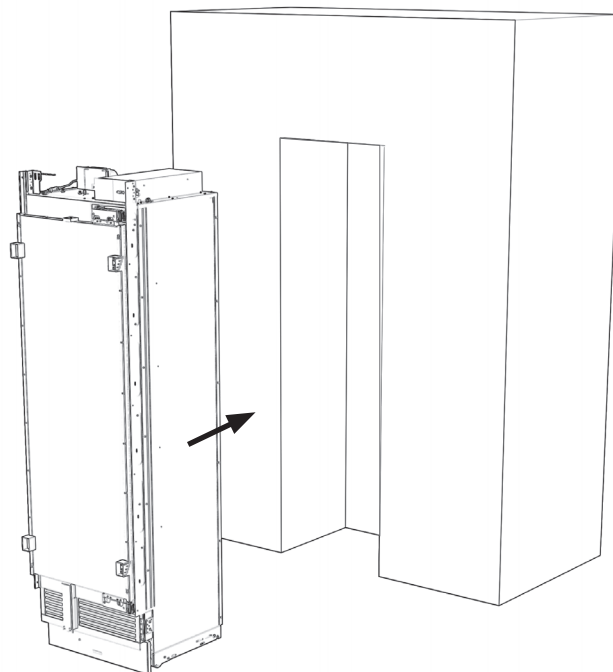
Votre réfrigérateur est lourd. Lors du déplacement de votre réfrigérateur pour le nettoyage ou un entretien ou réparation, veiller à recouvrir le plancher avec du carton ou un panneau de fibres dures pour éviter qu'il ne subisse tout dommage. Toujours tirer le réfrigérateur tout droit lors de son déplacement. Ne pas incliner le réfrigérateur d'un côté ou de l'autre ni le "faire marcher" en essayant de le déplacer car le plancher pourrait être endommagé.

Importants renseignements à savoir au sujet des tablettes et des couvercles en verre :

Ne pas nettoyer les tablettes ou couvercles en verre avec de l'eau tiède quand ils sont froids. Les tablettes et les couvercles peuvent se briser s'ils sont exposés à des changements soudains de température ou à un impact tel que coup brusque. Le verre trempé est conçu pour éclater en d'innombrables pièces minuscules. Ceci est normal. Les tablettes et les couvercles en verre sont lourds. Les saisir à deux mains lors de leur dépose afin d'éviter de les faire tomber.

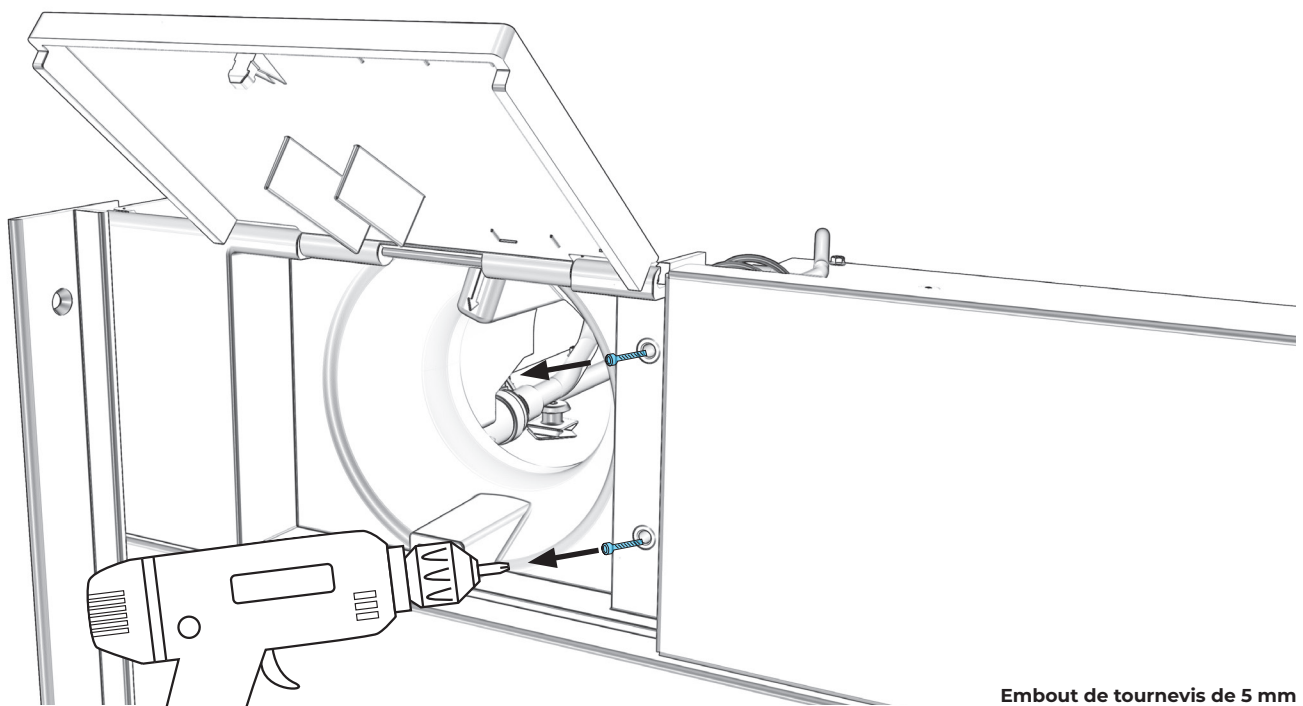
1.2

DÉPLACER L'APPAREIL DEVANT L'OUVERTURE.

DÉPLACER L'APPAREIL À DEUX PERSONNES. NE PAS OUVRIR LA
PORTE AVANT QUE L'APPAREIL SOIT SÉCURISÉ

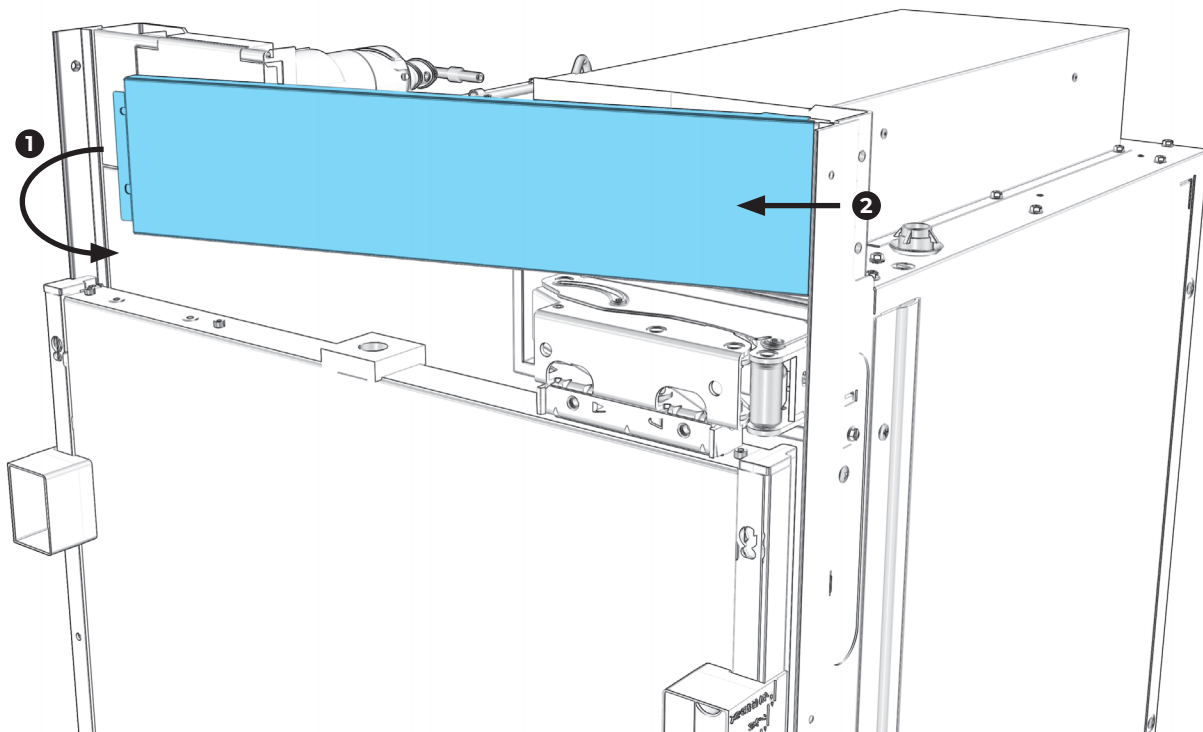
1.3

ENLEVER LES DEUX VIS DU FILTRE À EAU.

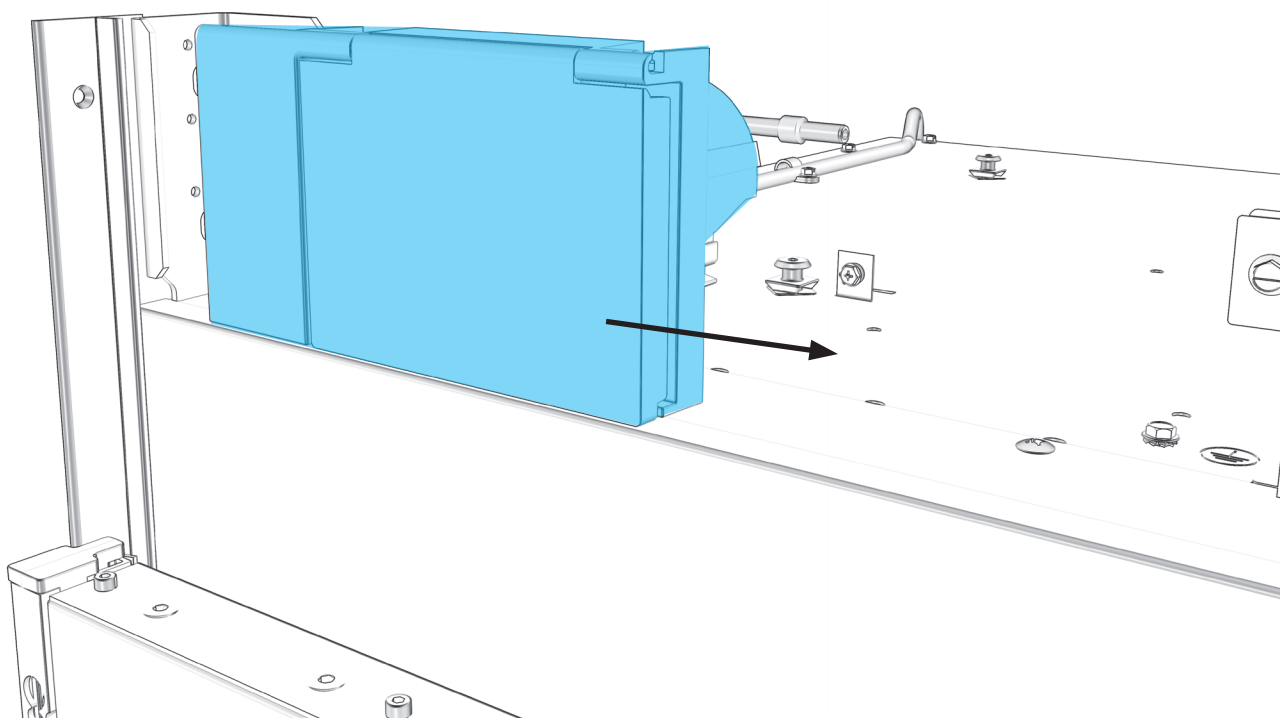


Embout de tournevis de 5 mm

1.4 ENLEVER LA FAÇADE EN TIRANT VERS LA GAUCHE.

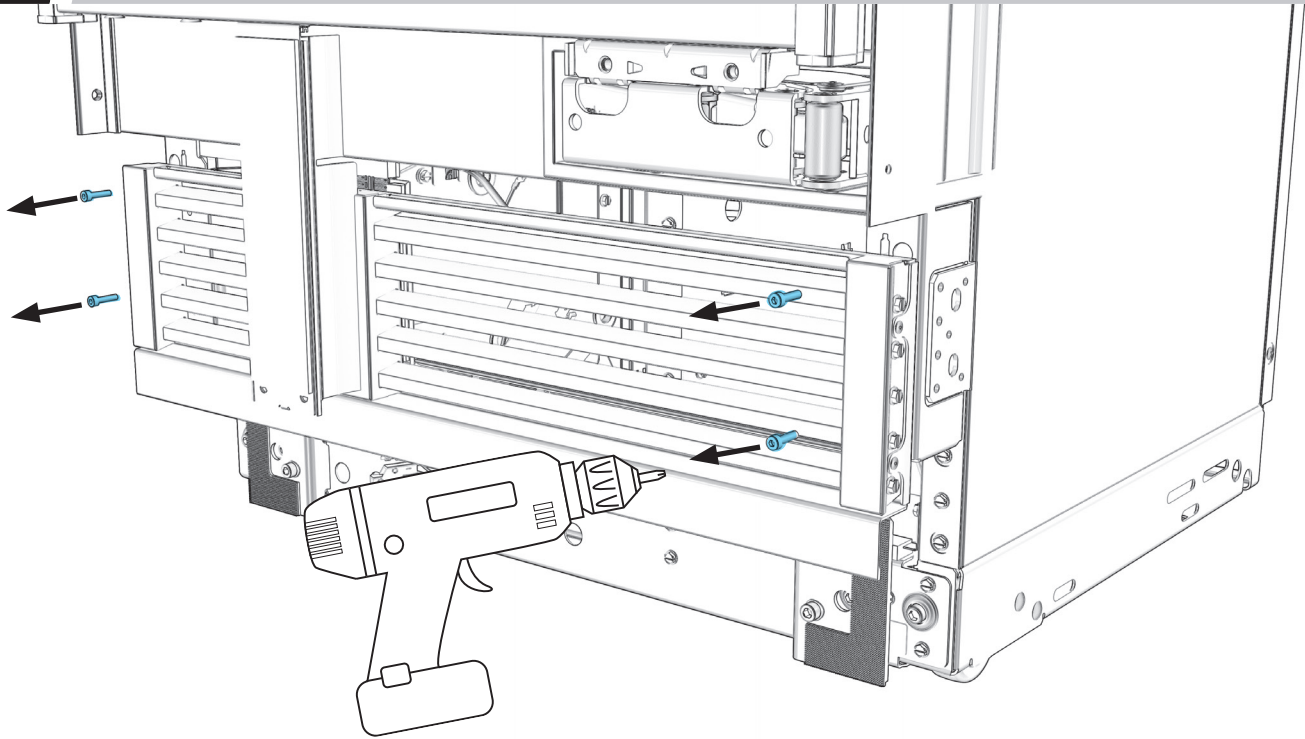


1.5 TIRER AVEC FORCE LE LOGEMENT VERS LA DROITE POUR L'ENLEVER.



1.6

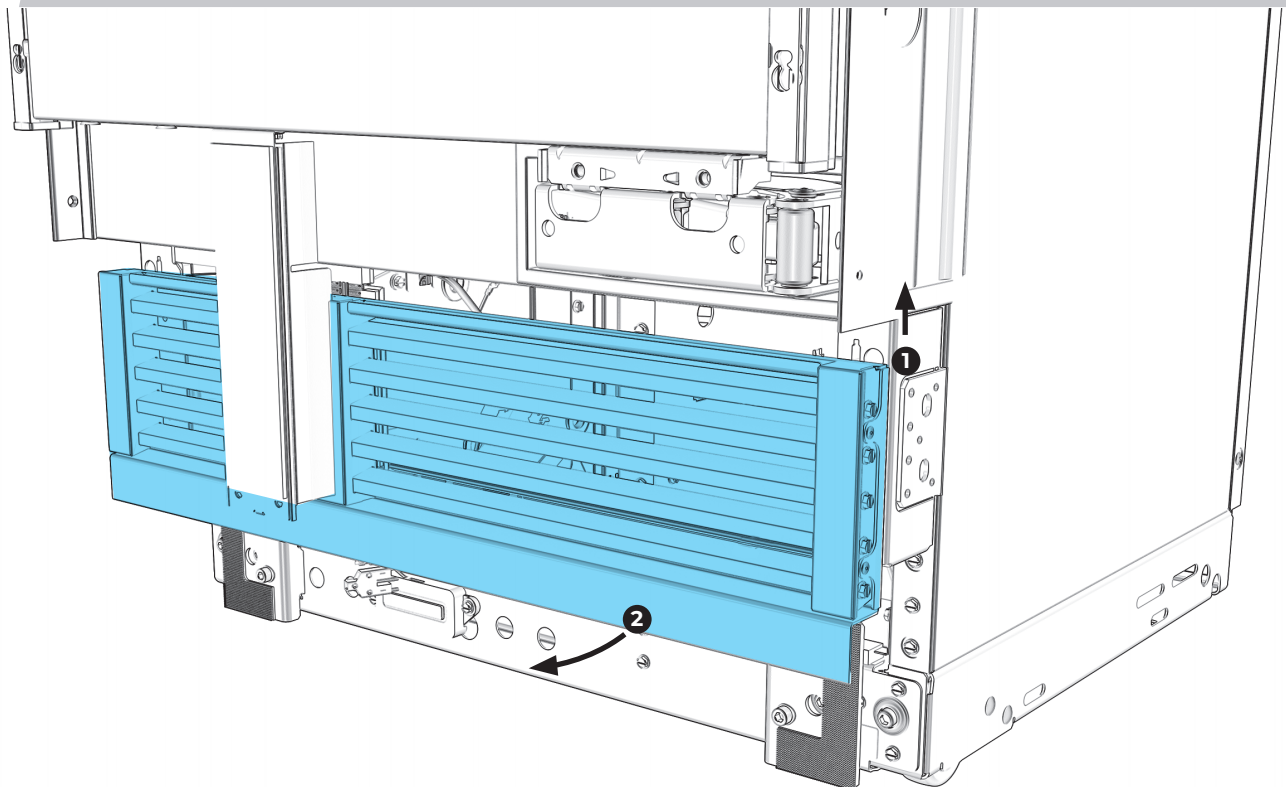
RETIRER LES QUATRE VIS DE LA GRILLE DE VENTILATION.



Embout de tournevis de 5 mm

1.7

ENLEVER LA GRILLE DE VENTILATION DE LA BASE.



PRÉPARATION DU

M É U B L É

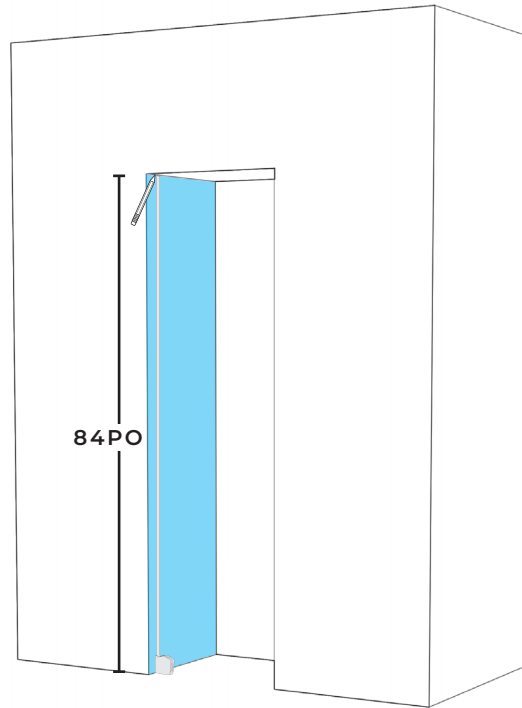


2

PRÉPARATION DU MEUBLE

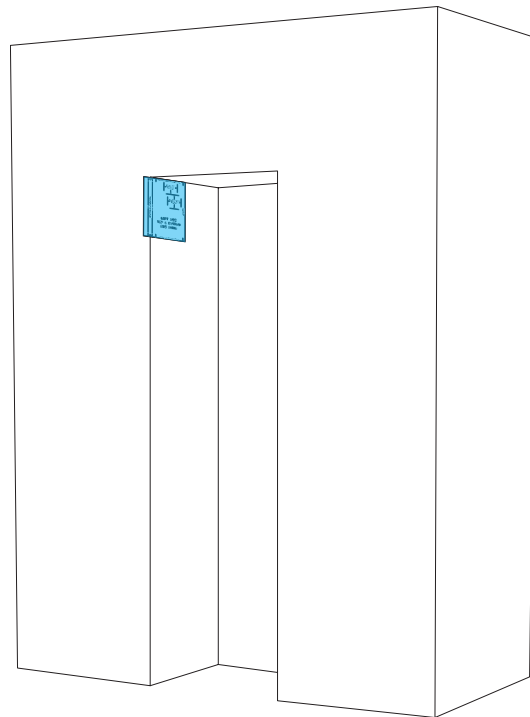
2.1

MESURER ET MARQUER LA LIGNE DU PANNEAU DE GAUCHE.



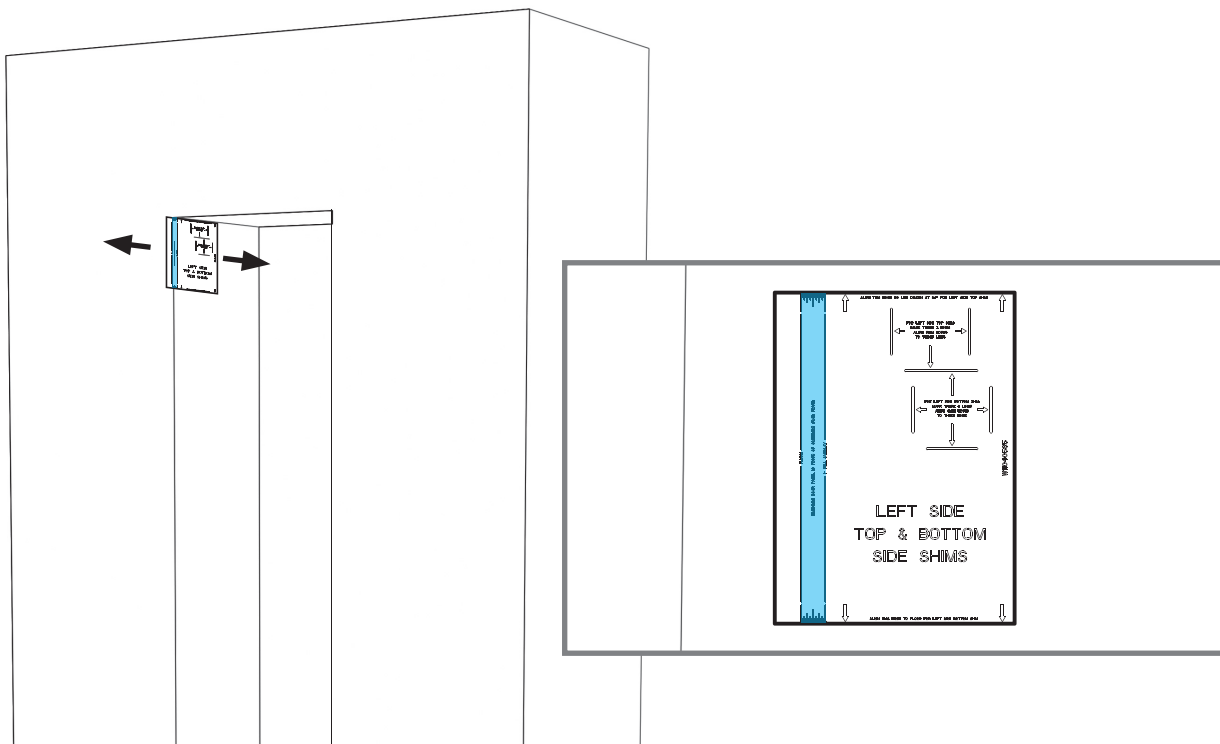
2.2

PLACER LE GABARIT SUR LE PANNEAU DE GAUCHE.



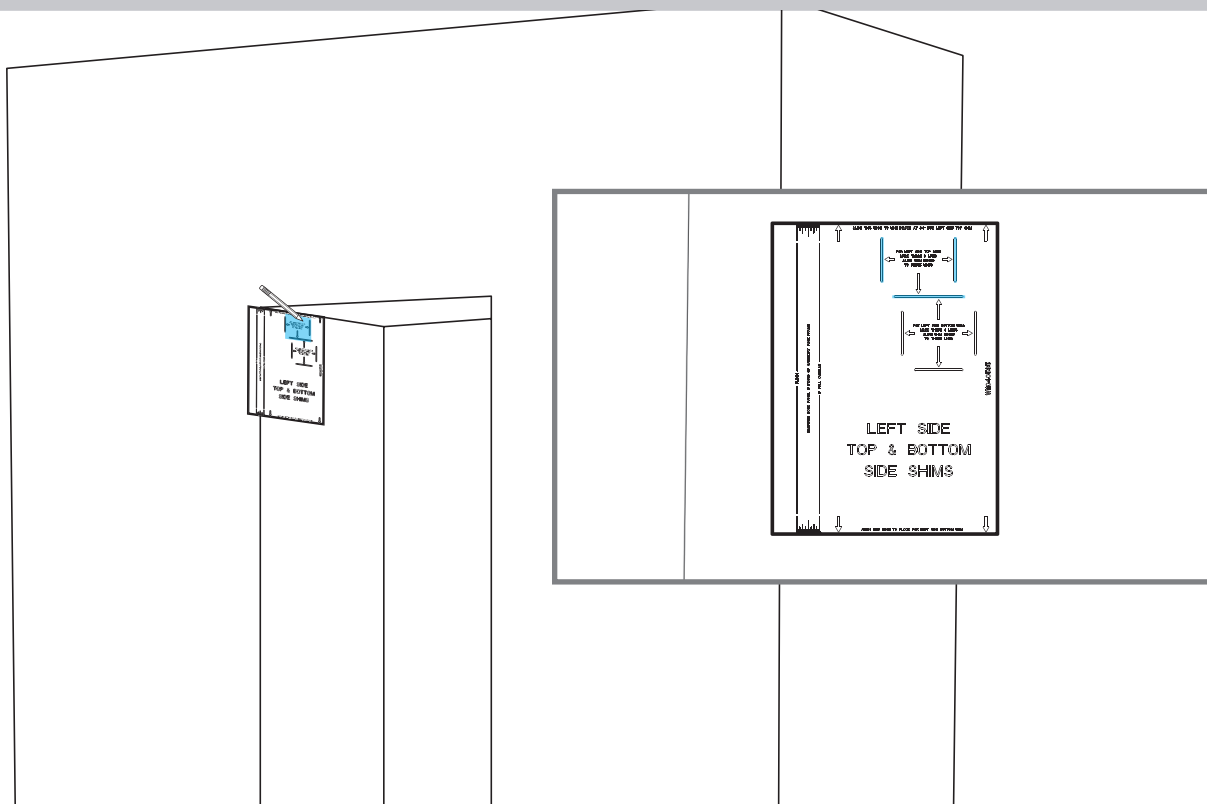
2.3

ALIGNER LA LIGNE DE STYLE DE PORTE AVEC LE DEVANT DE L'ARMOIRE.



2.4

MARQUER LES LIGNES D'ALIGNEMENT DE LA CALE SUPÉRIEURE.

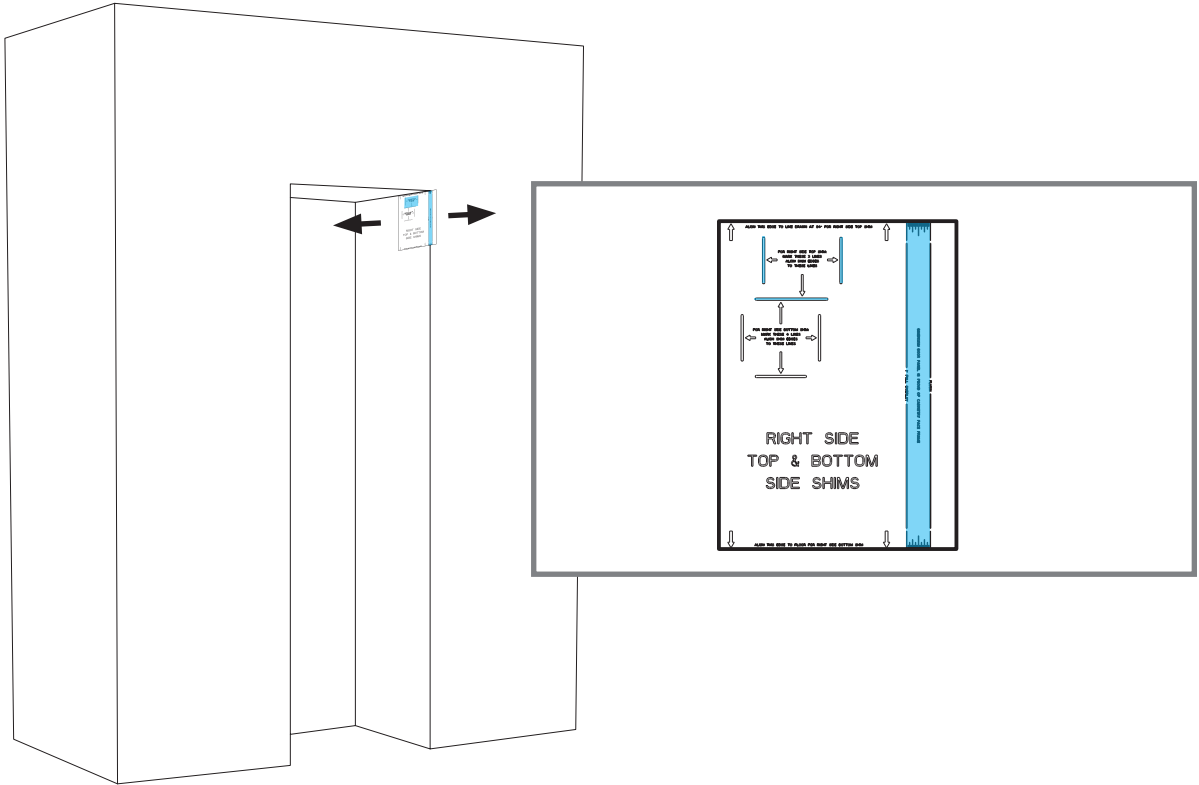


2

PRÉPARATION DU MEUBLE

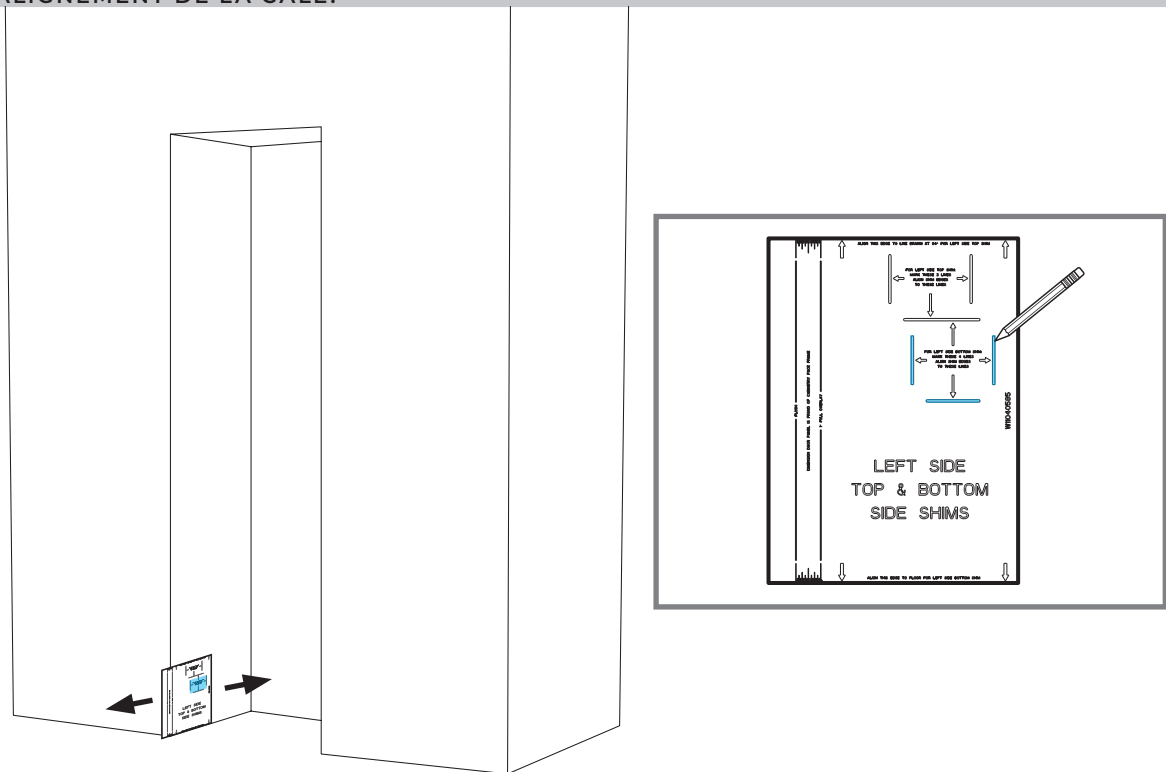
2.5

RÉPÉTER LES ÉTAPES 2,1 À 2,4 POUR LE PANNEAU DE DROITE.



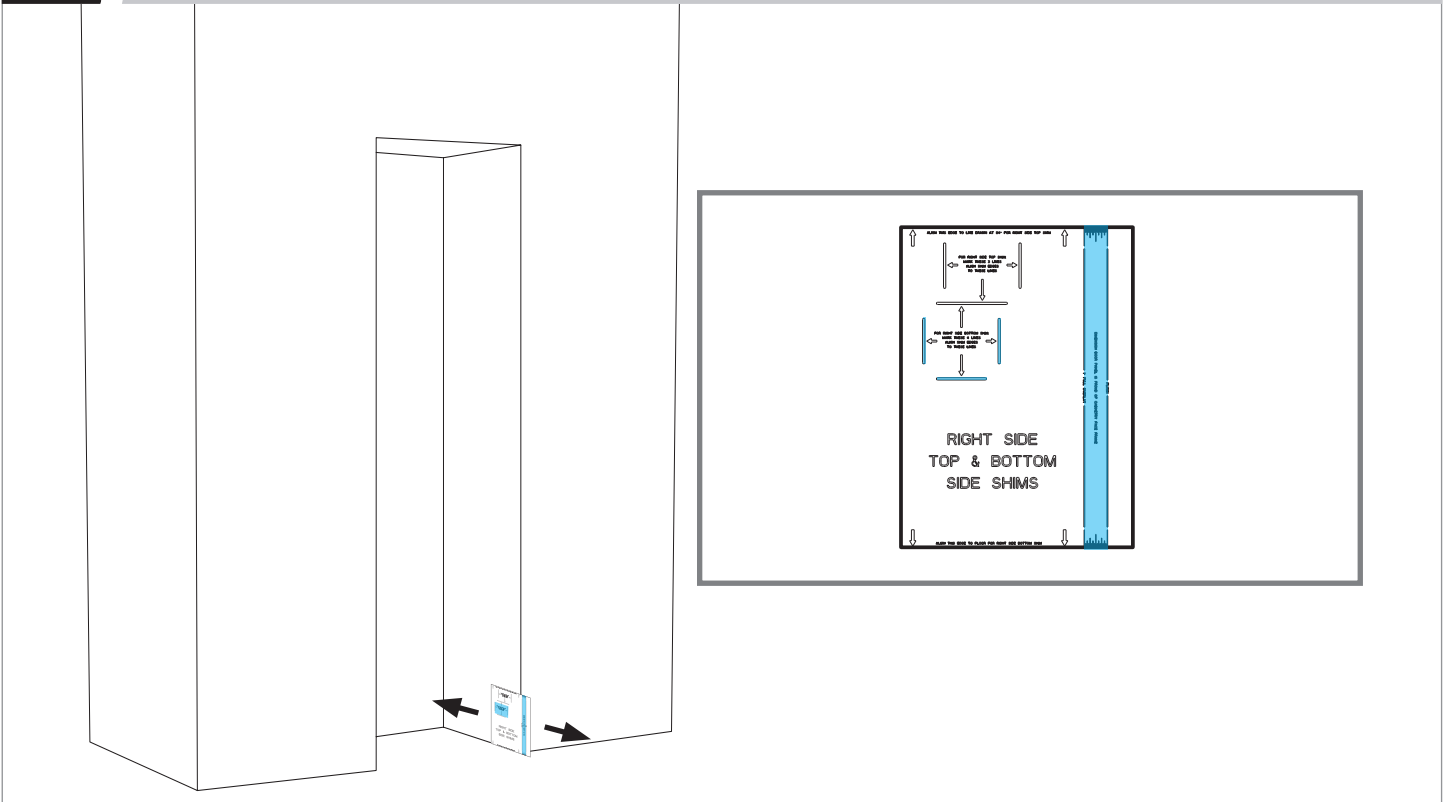
2.6

PLACER ET ALIGNER LE GABARIT SUR LE PANNEAU INFÉRIEUR GAUCHE, MARQUE LES LIGNES D'ALIGNEMENT DE LA CALE.



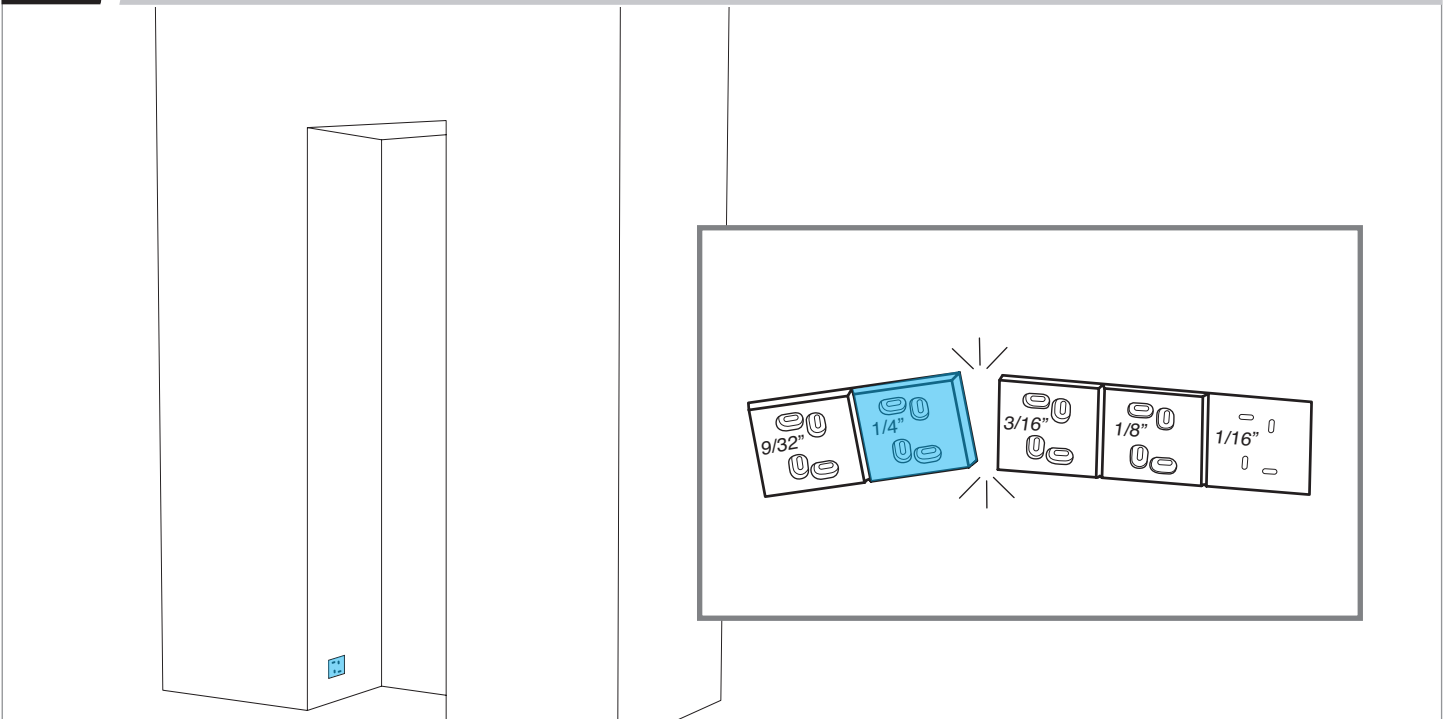
2.7

RÉPÉTER L'ÉTAPE 2,6 POUR LE PANNEAU DE DROITE.



2.8

SÉPARER LES CALES ROTTER ET LES COLLER SUR LES MARQUES DU BAS.



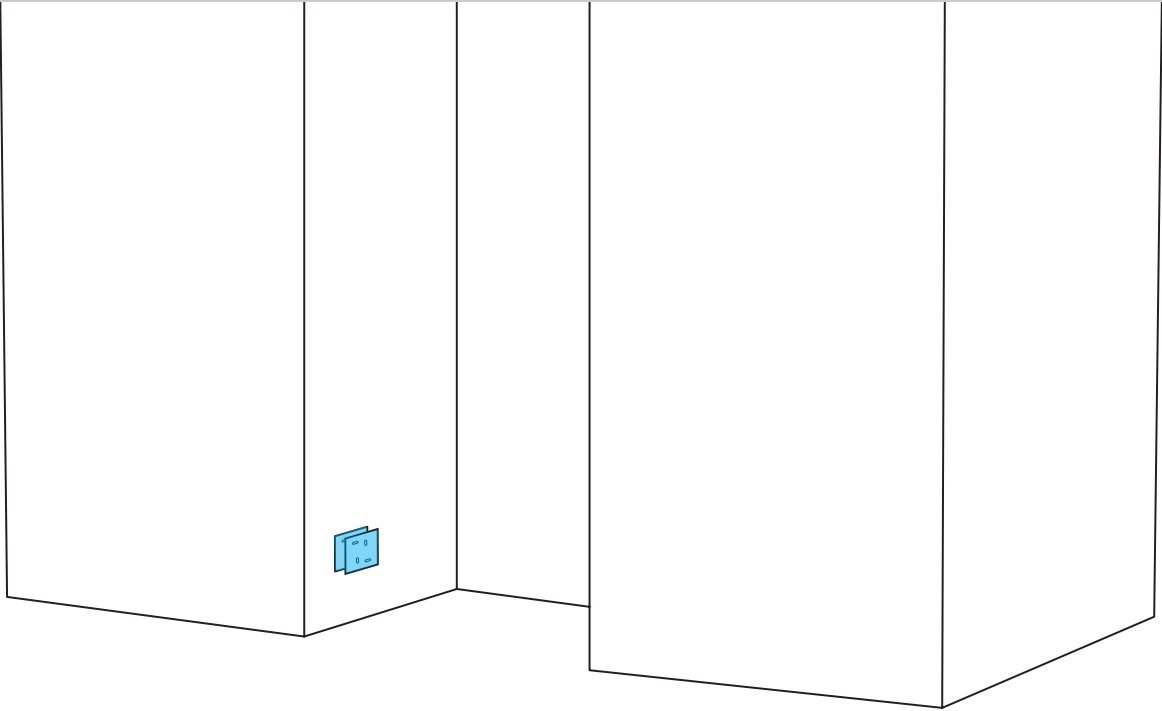
UTILISER AU MOINS UNE CALE DE 1/4 PO DE CHAQUE CÔTÉ

2

PRÉPARATION DU MEUBLE

2.9

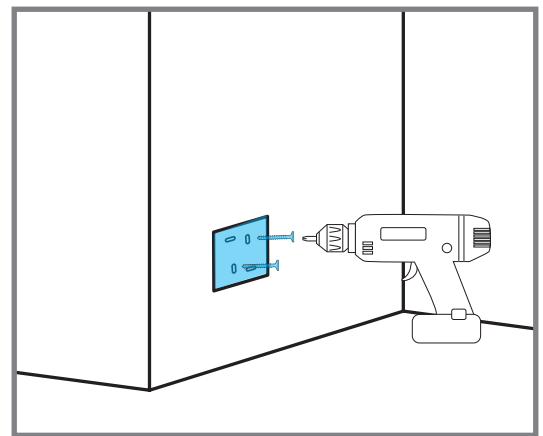
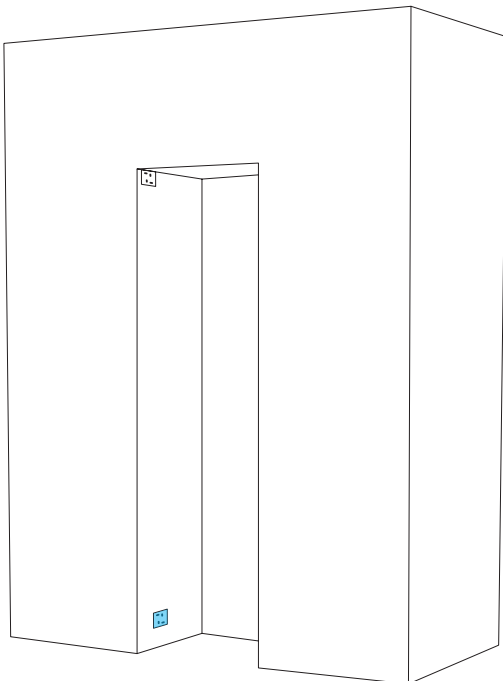
AJOUTER DES CALES AU BESOIN.



CONSULTER L'ÉQUATION DE CALES SUPPLÉMENTAIRE DE L'ANNEXE

2.10

FIXER LES CALES AUX PANNEAUX LATÉRAUX.



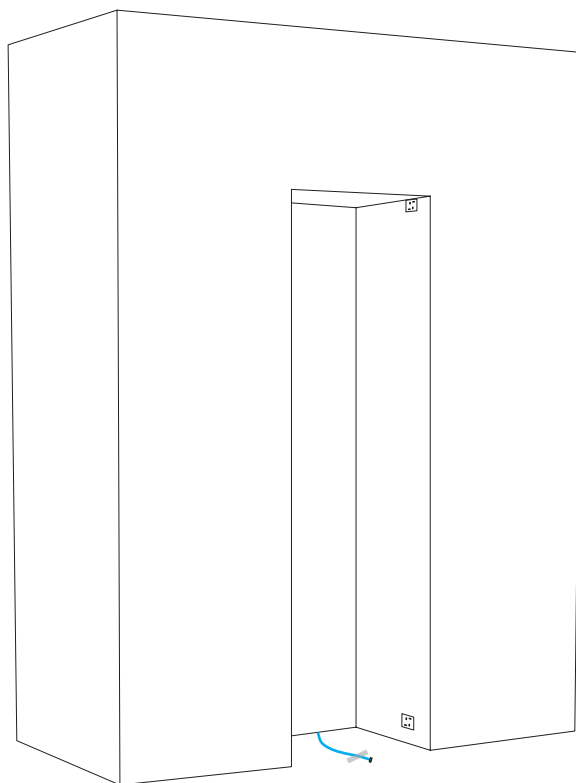
Vis à bois de 1/4 po min.



UTILISER AU MOINS DEUX VIS À BOIS

2.11

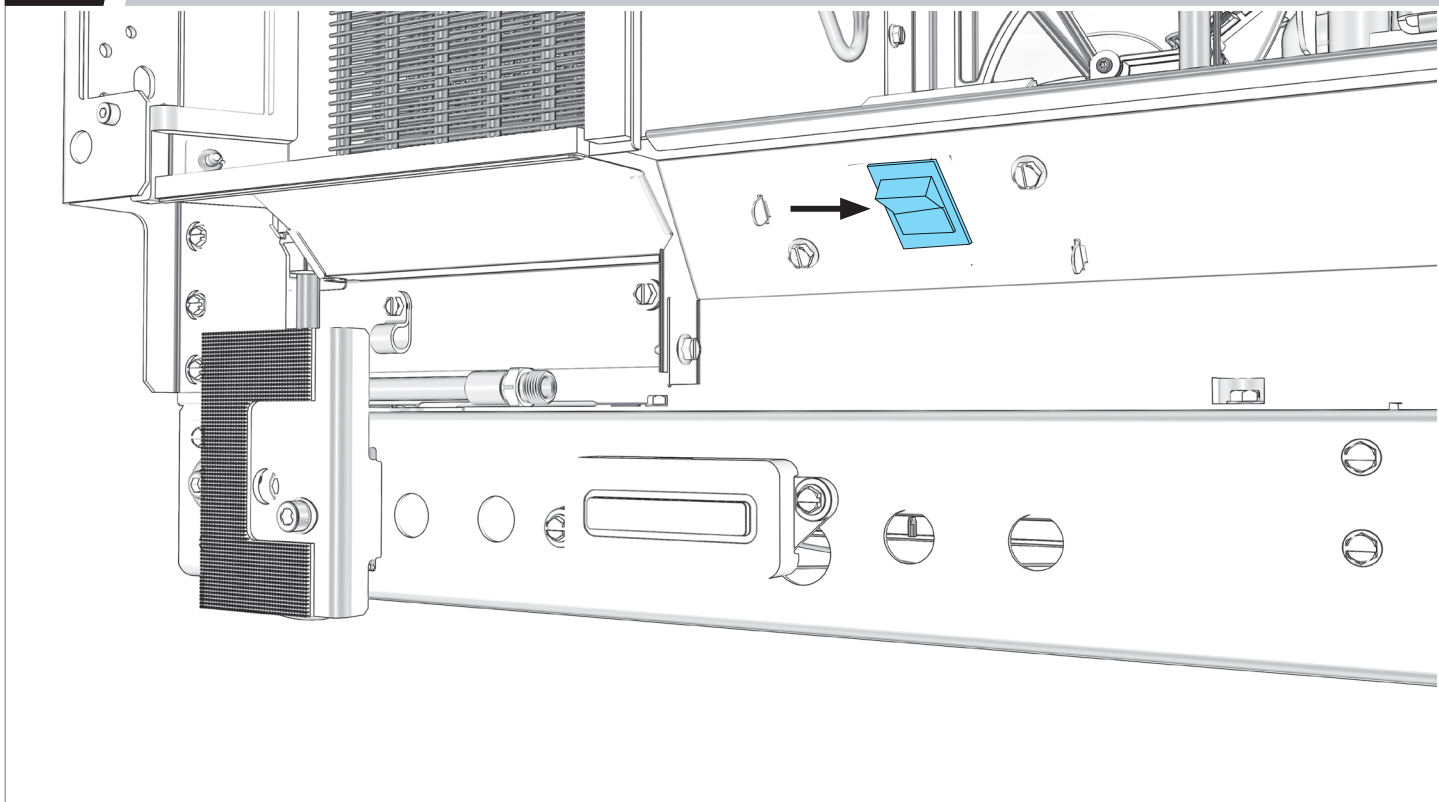
COLLER LE TUYAU D'EAU AU PLANCHER.



INSTALLATION DE
L'APPAREIL.

3.1

ÉTEINDRE L'APPAREIL.



AVANT DE BRANCHER L'APPAREIL, LIRE LES AVERTISSEMENTS.

⚠ AVERTISSEMENT



Risque de choc électrique

Brancher sur une prise à 3 alvéoles reliée à la terre.

Ne pas enlever la broche de liaison à la terre.

Ne pas utiliser un adaptateur.

Ne pas utiliser un câble de rallonge.

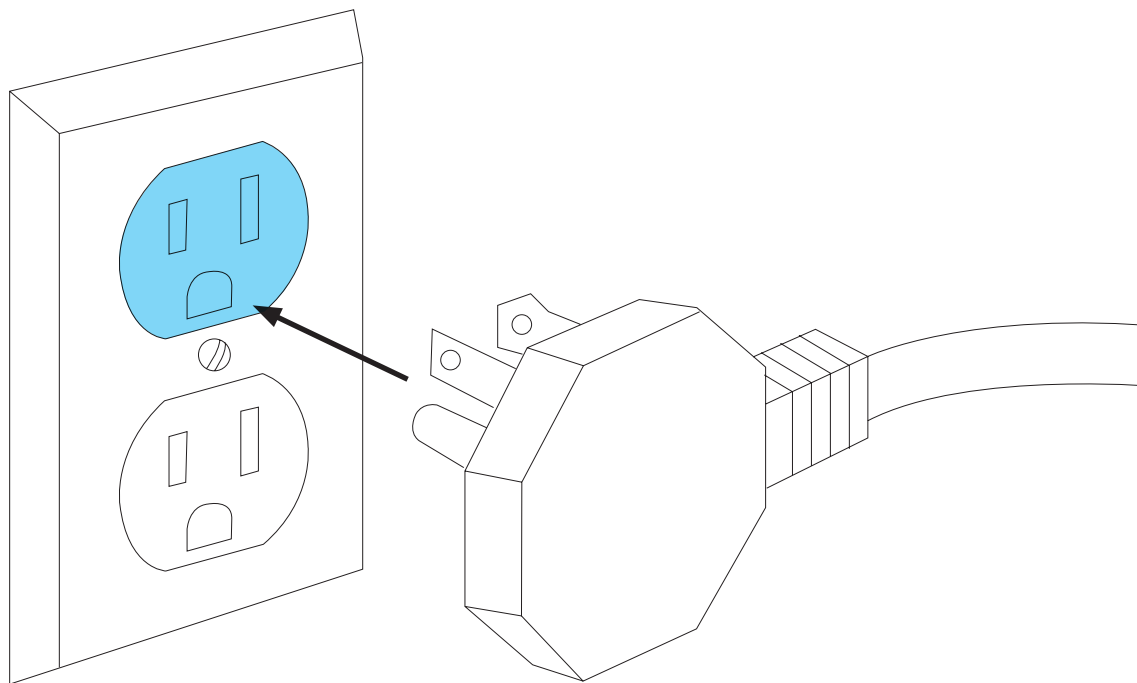
Le non-respect de ces instructions peut causer un décès, un incendie ou un choc électrique.

3

INSTALLATION DE L'APPAREIL

3.2

BRANCHER À UNE PRISE À TROIS ALVÉOLES RELIÉE À LA TERRE.



AVANT DE DÉPLACER L'APPAREIL, LIRE LES AVERTISSEMENTS.

⚠ AVERTISSEMENT



Risque de basculement

Le réfrigérateur est lourd au sommet et bascule facilement lorsqu'il n'est pas complètement installé.

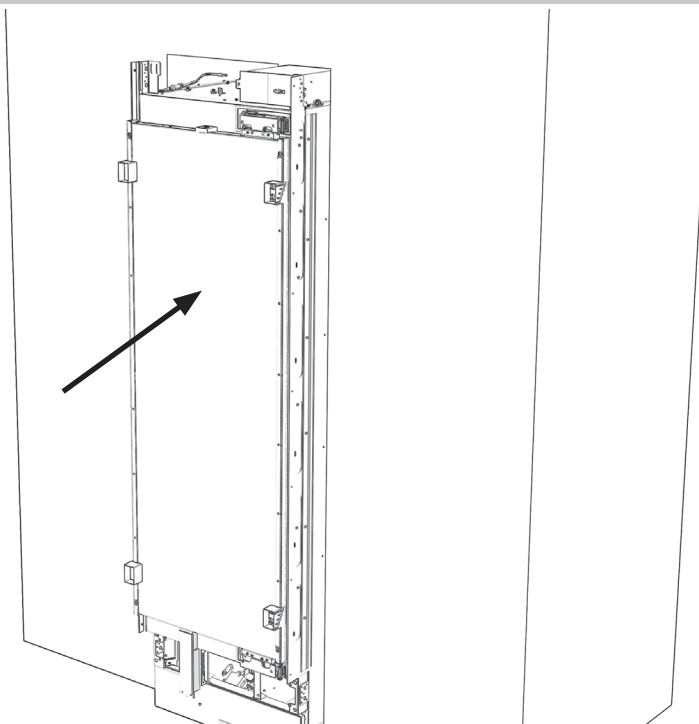
Garder les portes fermées avec un ruban adhésif jusqu'à l'installation complète du réfrigérateur.

Utiliser deux ou plus de personnes pour déplacer et installer le réfrigérateur.

Le non-respect de ces instructions peut causer un décès ou une blessure grave.

3.3

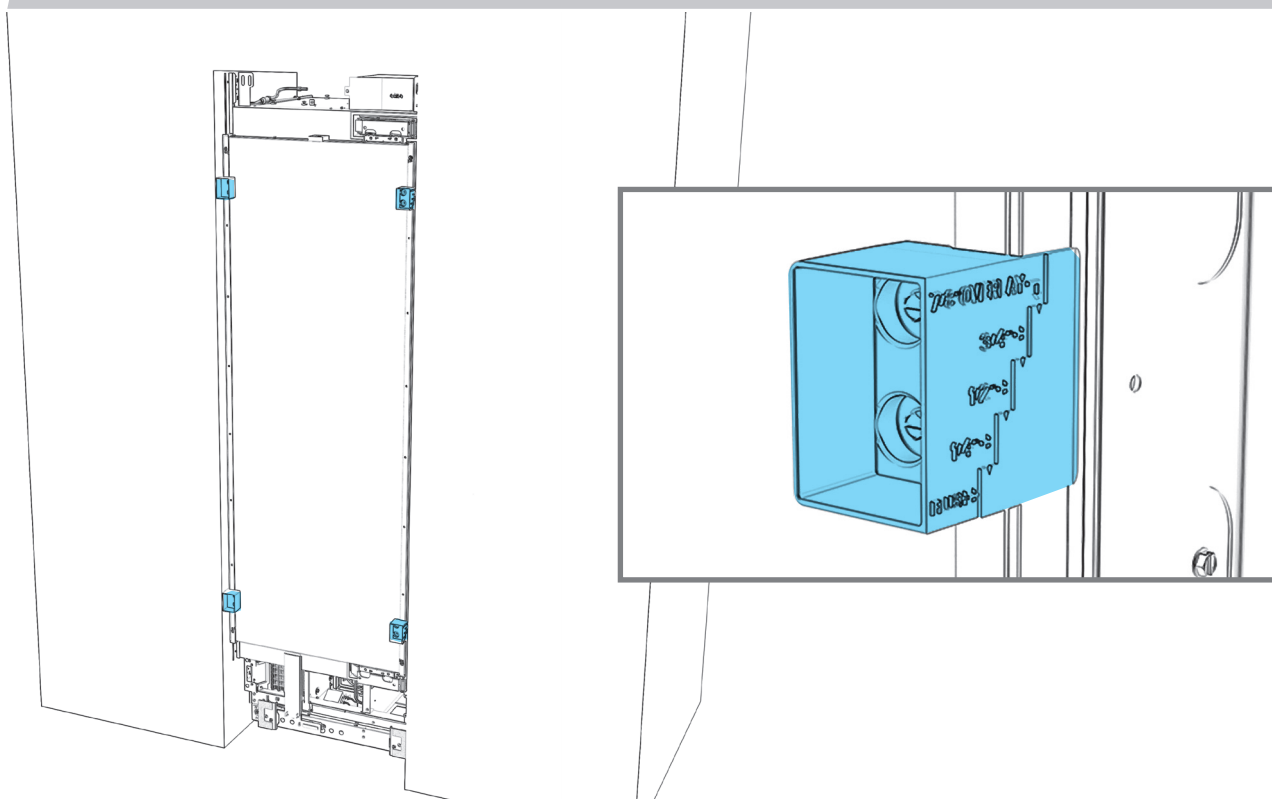
PLACER L'APPAREIL DANS L'OUVERTURE.



NE PAS ENDOMMAGER LE TUYAU D'EAU

3.4

UTILISER LES GABARITS DE PROFONDEUR POUR ALIGNER.

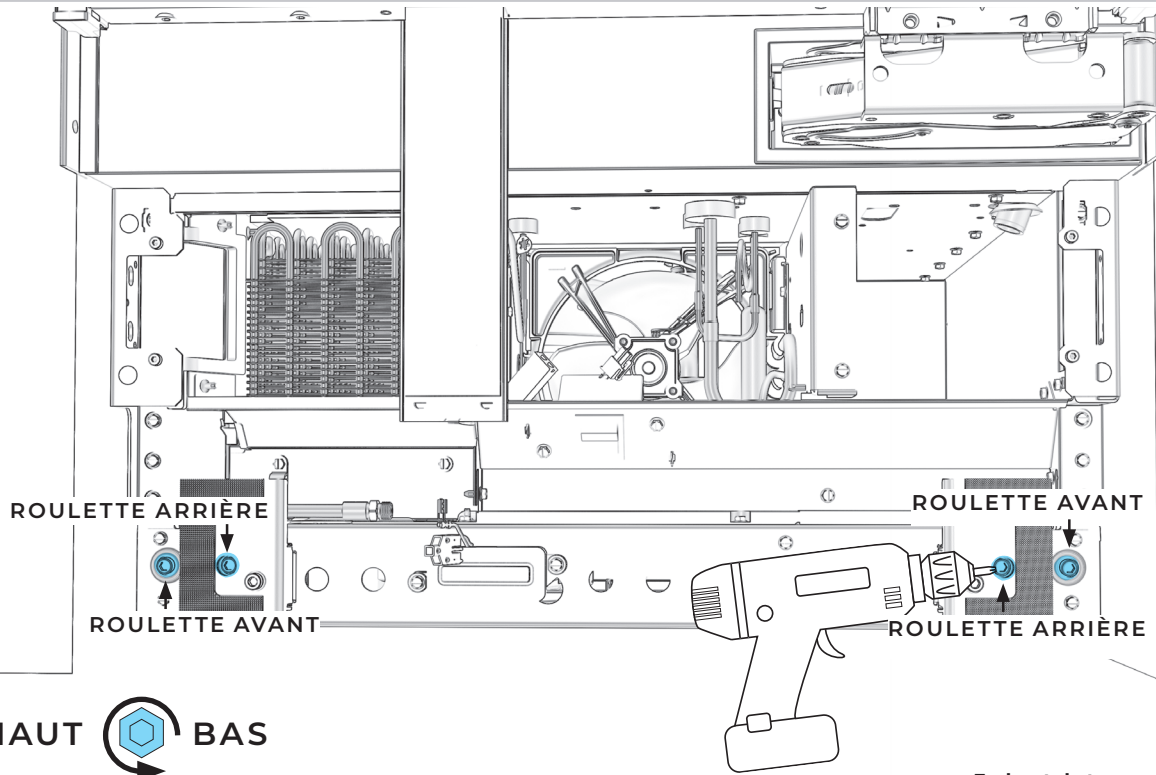


3

INSTALLATION DE L'APPAREIL

3.5

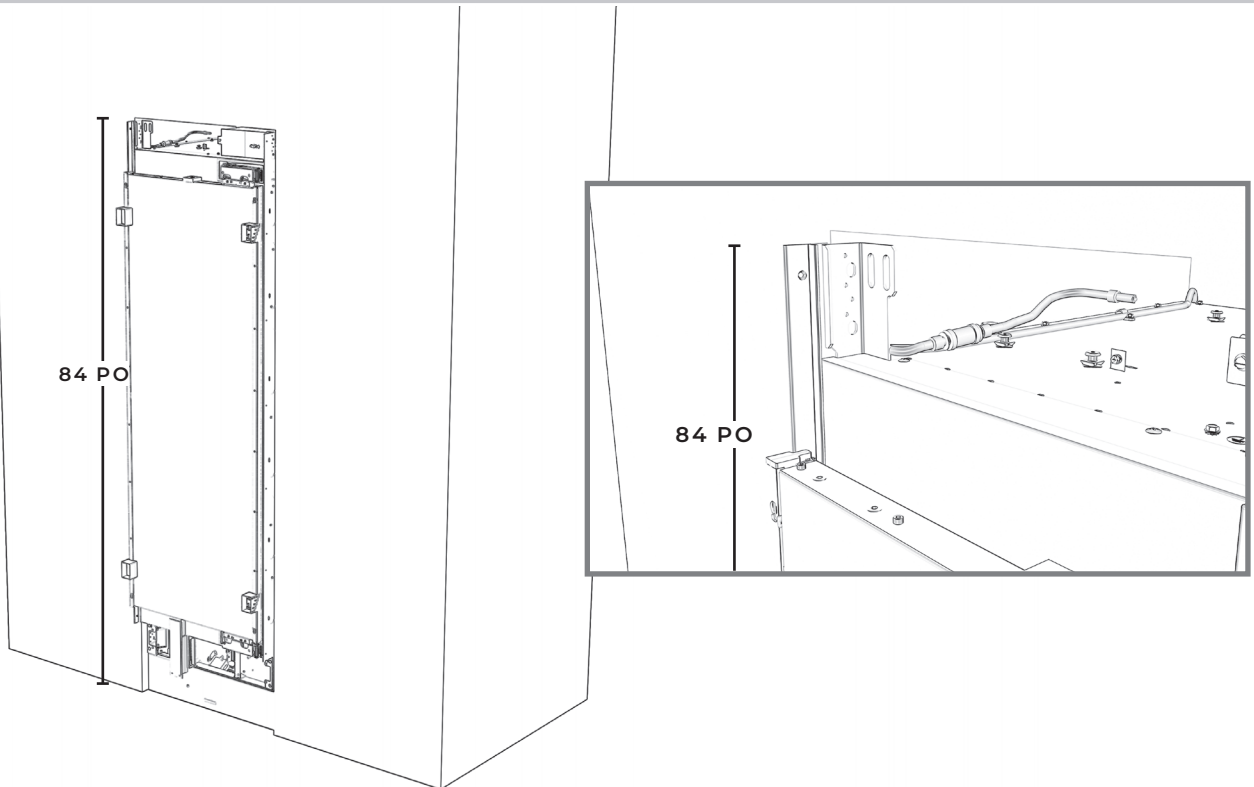
DÉPLOYER LES ROULETTES DE MISE AU NIVEAU INDIVIDUELLEMENT.



Embout de tournevis de 5 mm

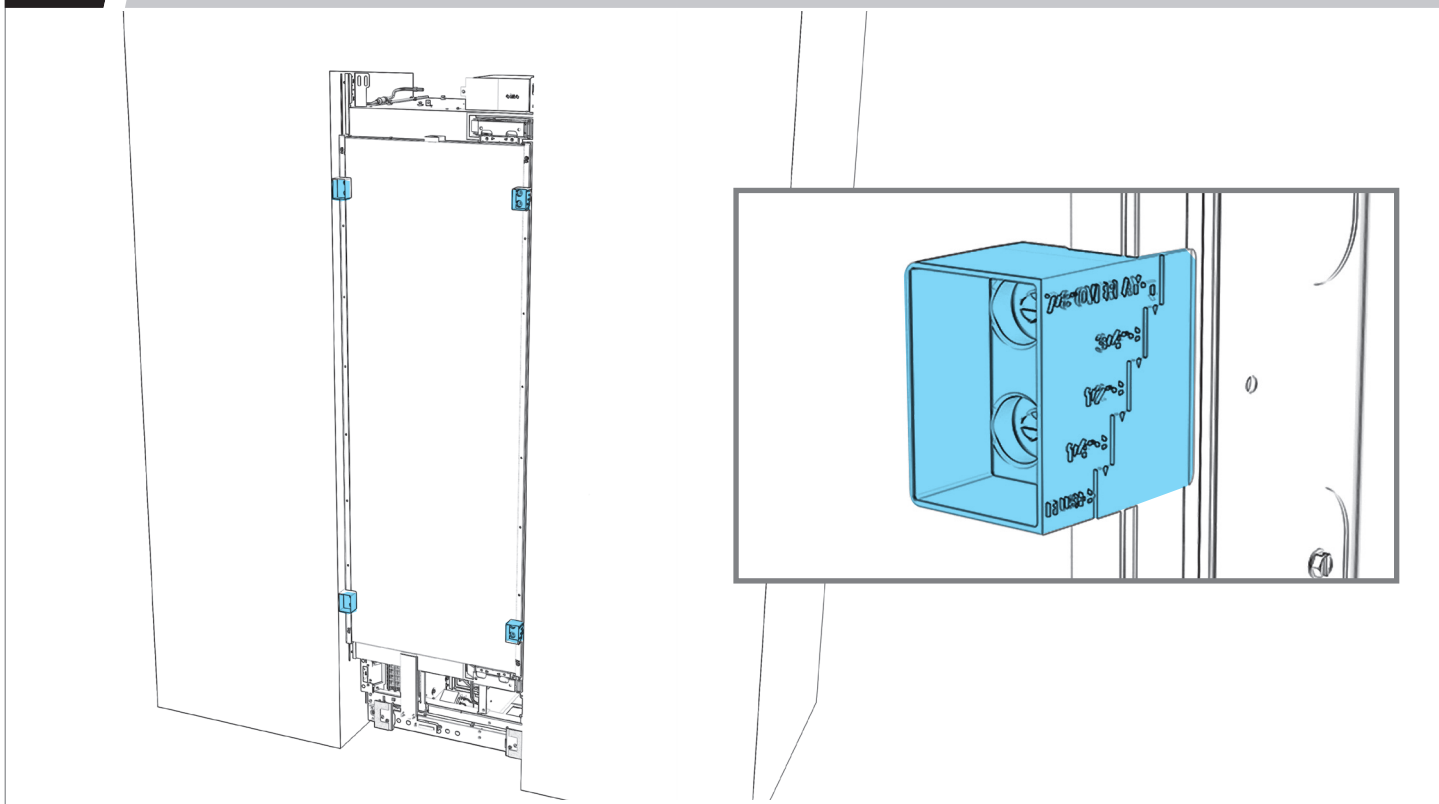
3.6

S'ASSURER QUE LES SUPPORTS D'INSTALLATION SONT ALIGNÉS AVEC LA LIGNE DE 84 PO.



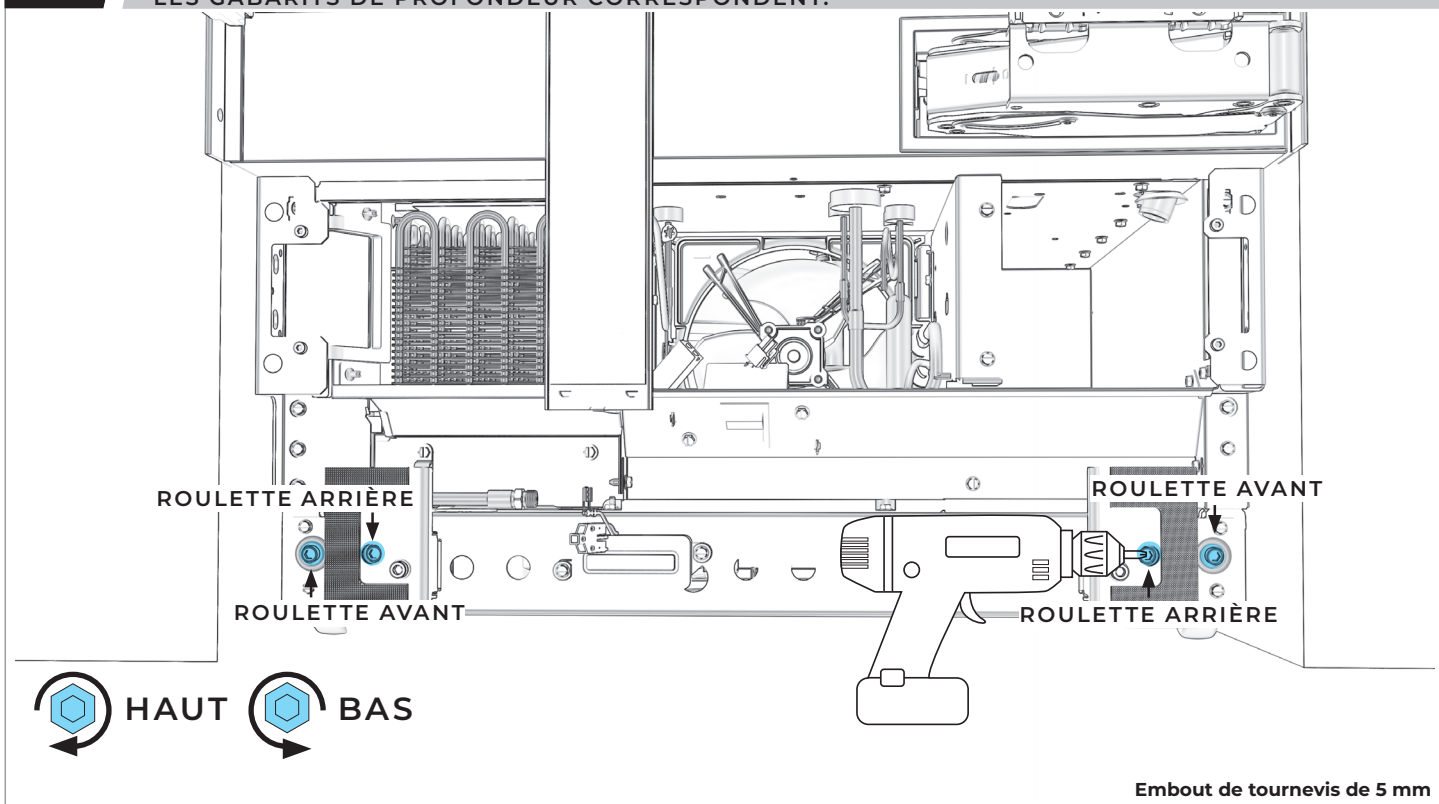
3.7

VÉRIFIER QUE LES GABARITS DE PROFONDEUR INDICENT LA MÊME PROFONDEUR.



3.8

DÉPLOYER LES ROULETTES DE MISE AU NIVEAU INDIVIDUELLEMENT, JUSQU'À CE QUE LES GABARITS DE PROFONDEUR CORRESPONDENT.

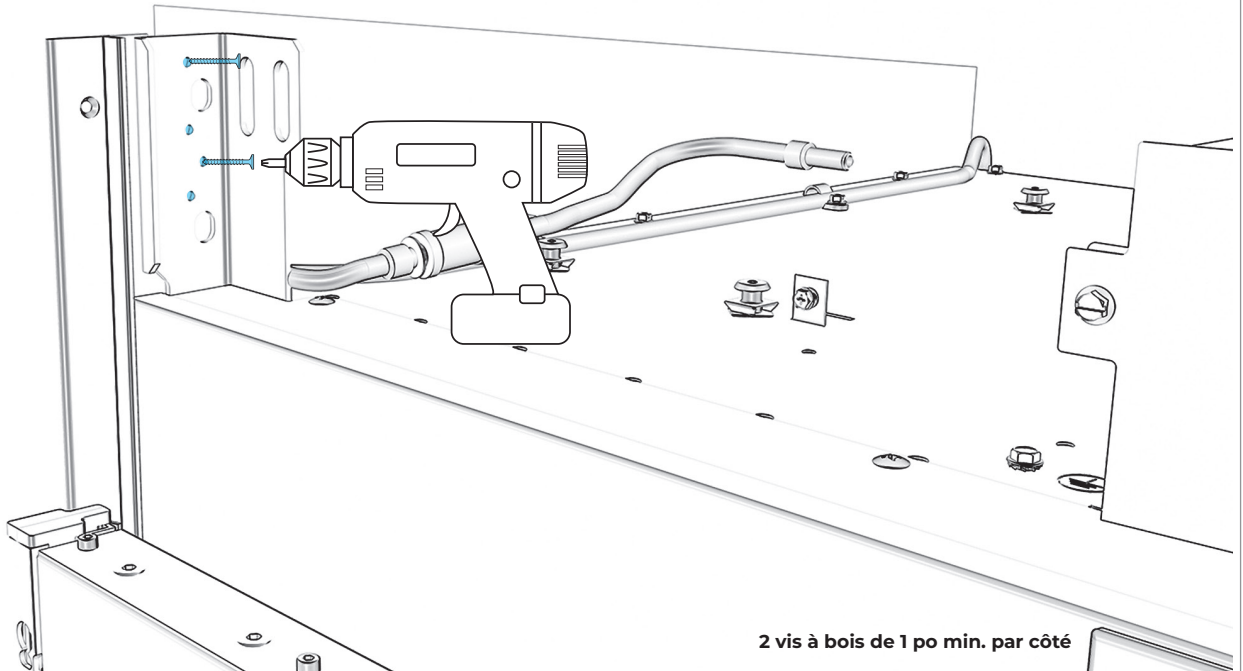


3

INSTALLATION DE L'APPAREIL

3.9

FIXER L'APPAREIL À CHACUN DES PANNEAUX LATÉRAUX.



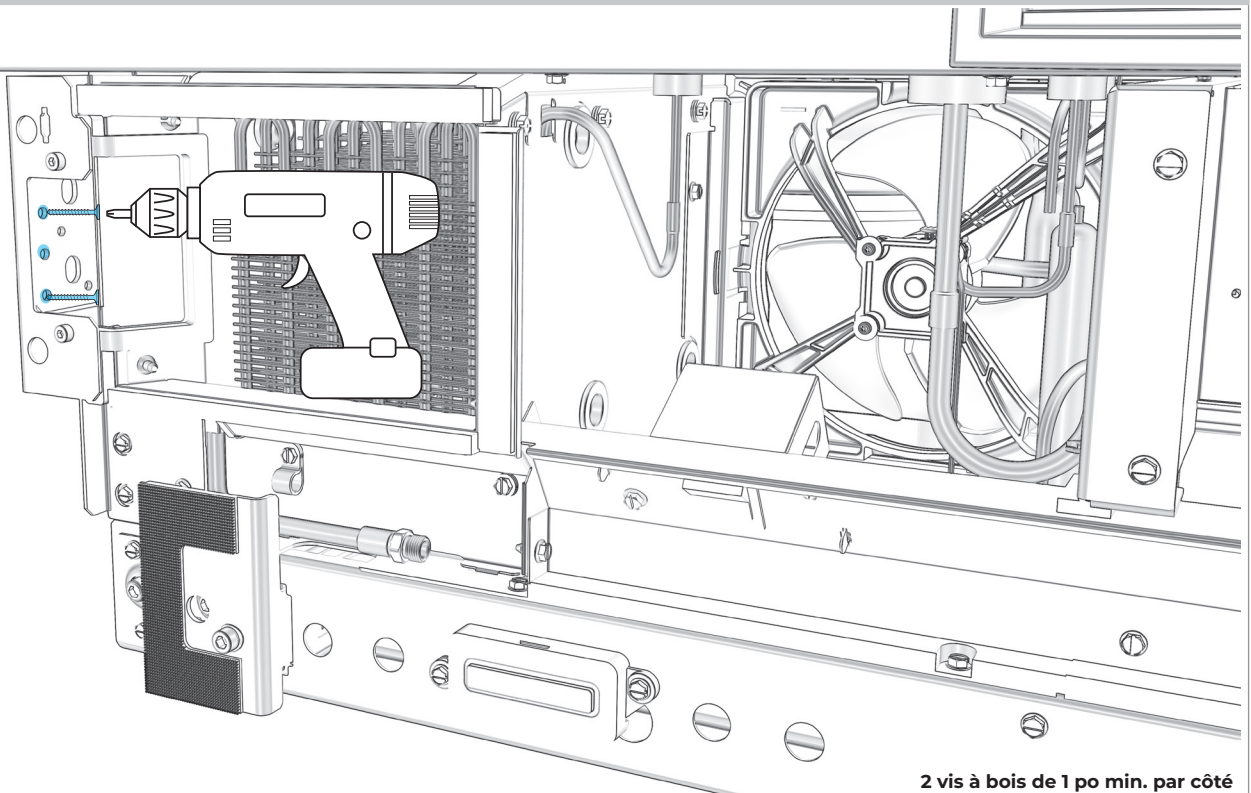
2 vis à bois de 1 po min. par côté



UTILISER DES VIS À BOIS D'UNE LONGUEUR APPROPRIÉE

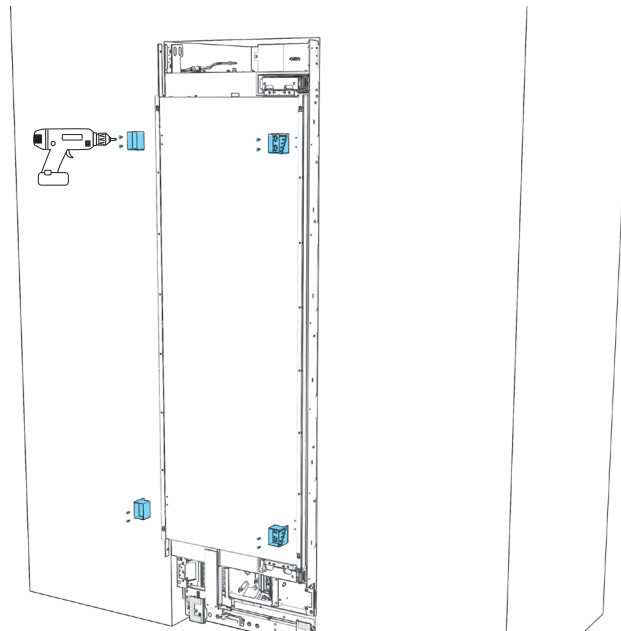
3.10

RÉPÉTER POUR LE SUPPORT INFÉRIEUR.



2 vis à bois de 1 po min. par côté

3.11 ENLEVER ET JETER LES GABARITS DE PROFONDEUR.

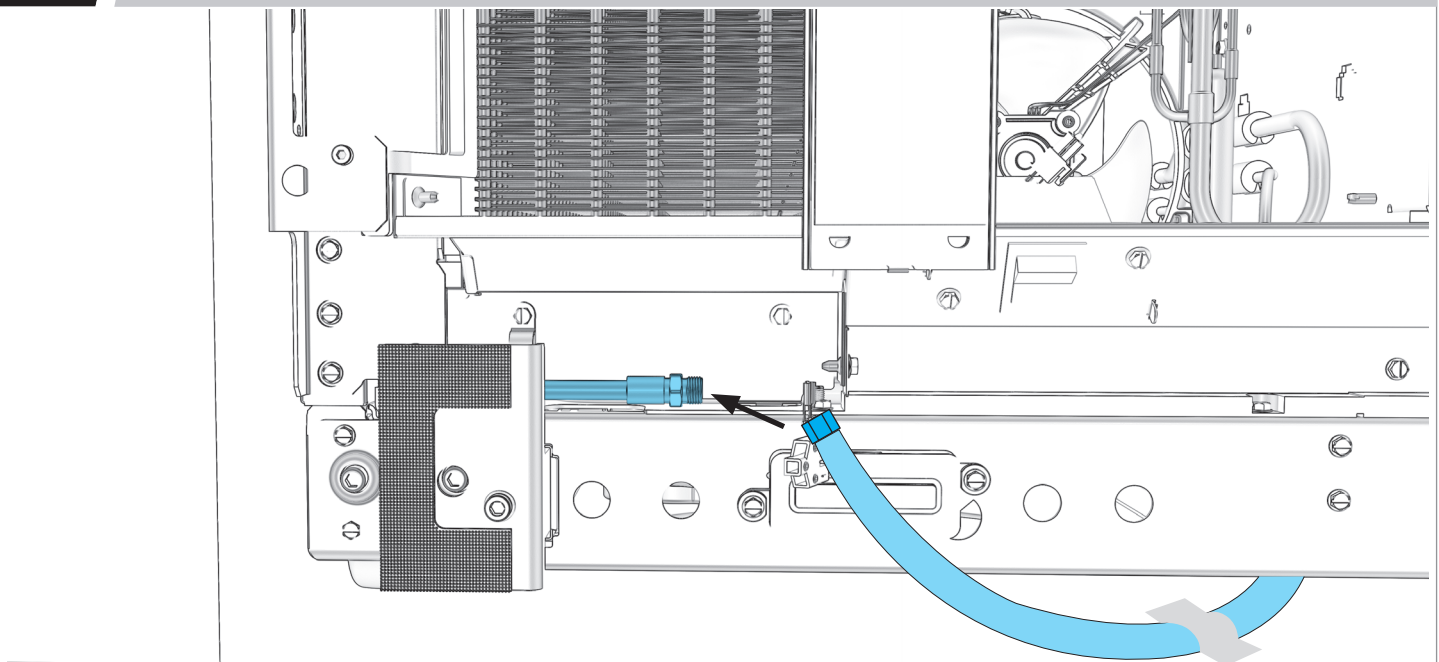


Embout de 1/4 po



IMPORTANT : AFIN D'ÉVITER TOUT DANGER, S'ASSURER QUE LA COLONNE EST ENLEVÉE AVANT D'ENTREPRENDRE LA PROCHAINE ÉTAPE ET RACCORDER LA CANALISATION D'EAU.

3.12 RACCORDER LE TUYAU D'ARRIVÉE D'EAU.



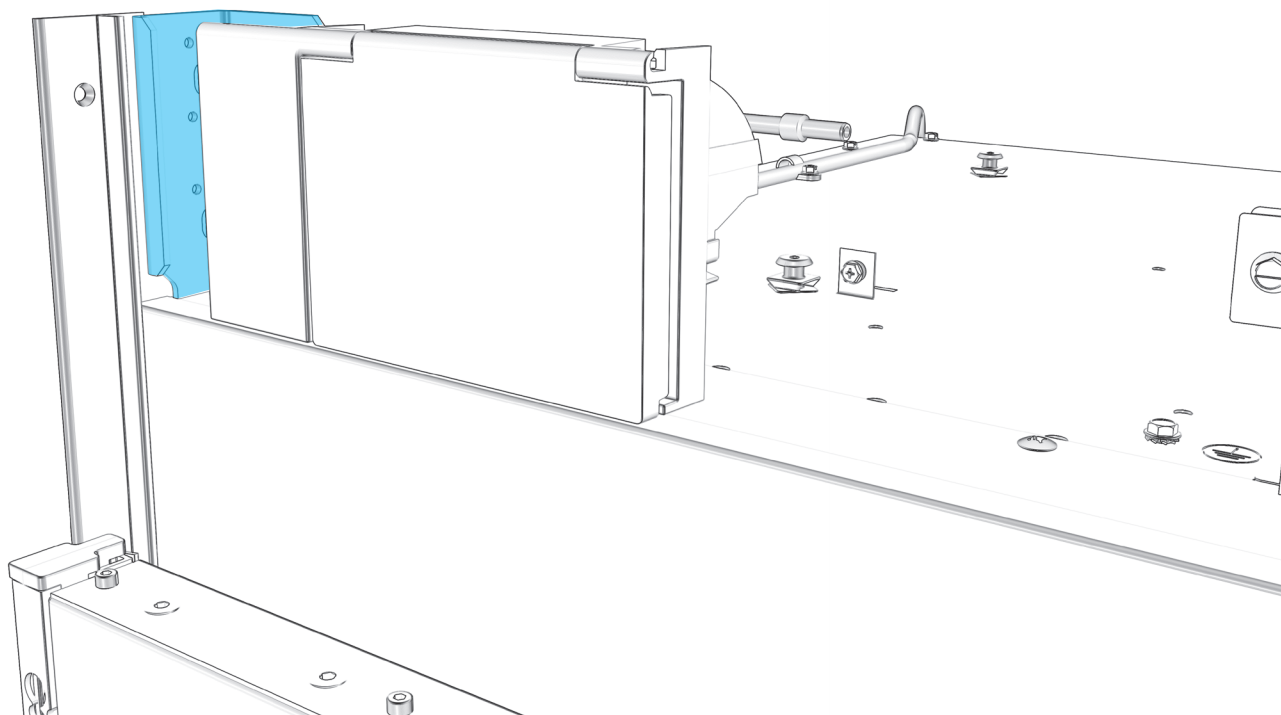
LA PORTE PEUT ÊTRE OUVERTE À PARTIR DE CE MOMENT



PRÉPARATION DE LA
PLANCHÈRE
DE L'APPAREIL

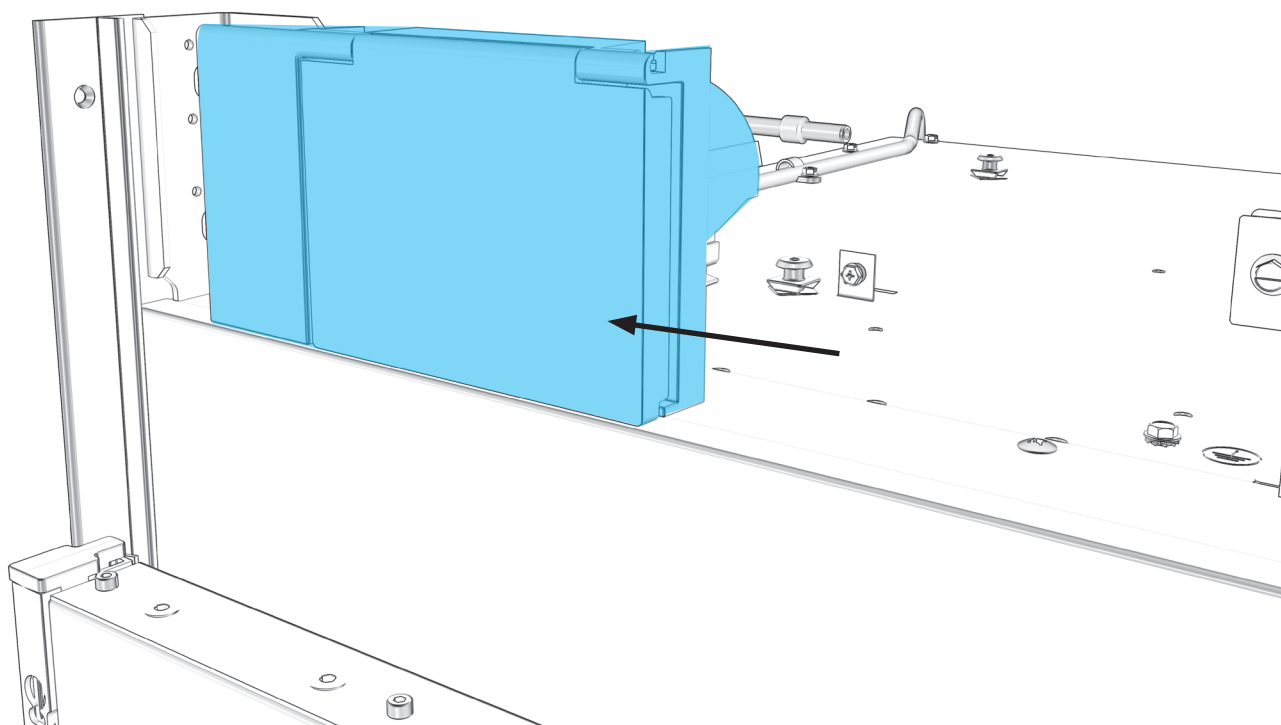
4.1

ALIGNER LE LOGEMENT DU FILTRE ENTRE LES SUPPORTS, AU HAUT DE L'APPAREIL.



4.2

REPLACER LE LOGEMENT EN POUSSANT AVEC FORCE VERS LA GAUCHE.

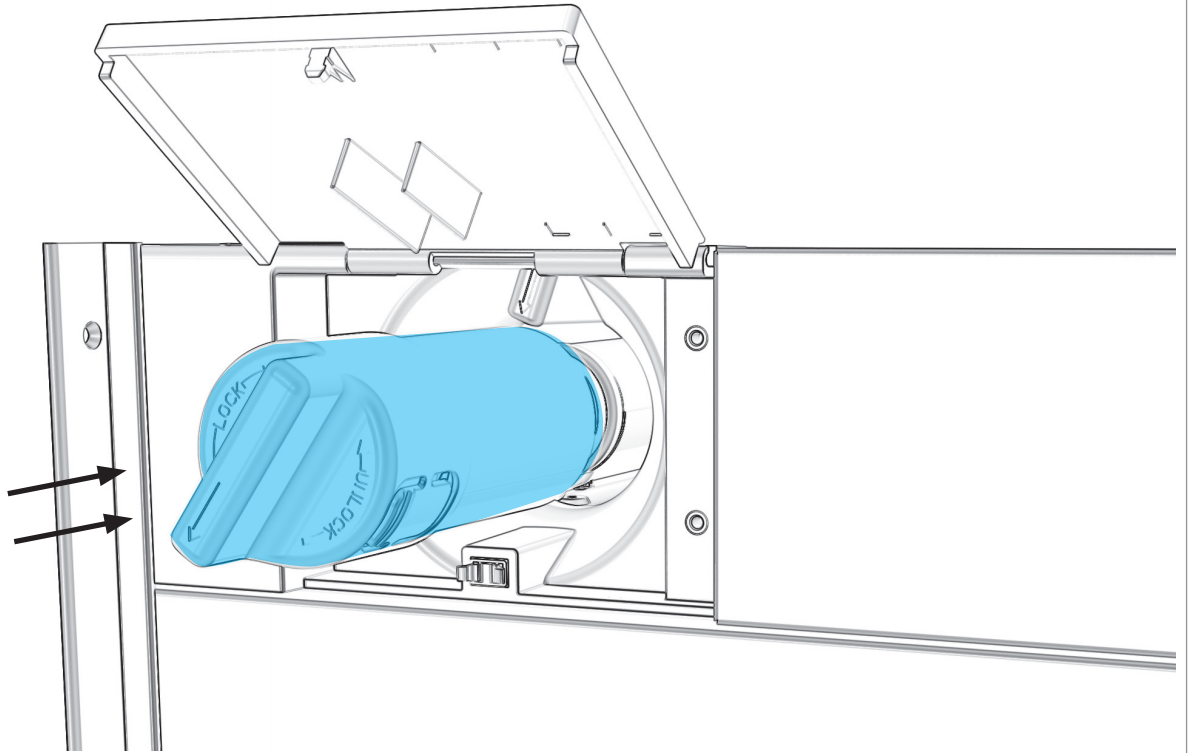


4

PRÉPARATION DE LA PLINTE DE L'APPAREIL

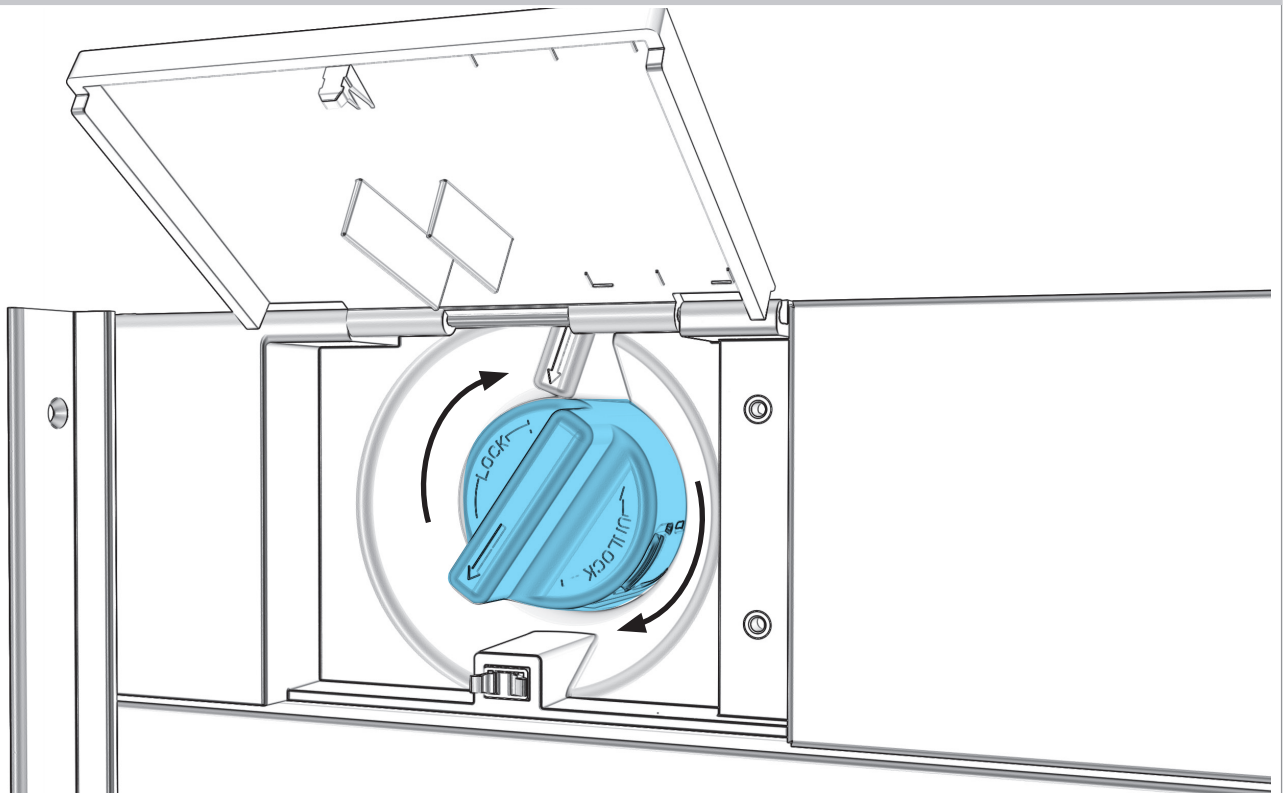
4.3

INSÉRER LE FILTRE À EAU JUSQU'À CE QU'IL SOIT BIEN PLACÉ.



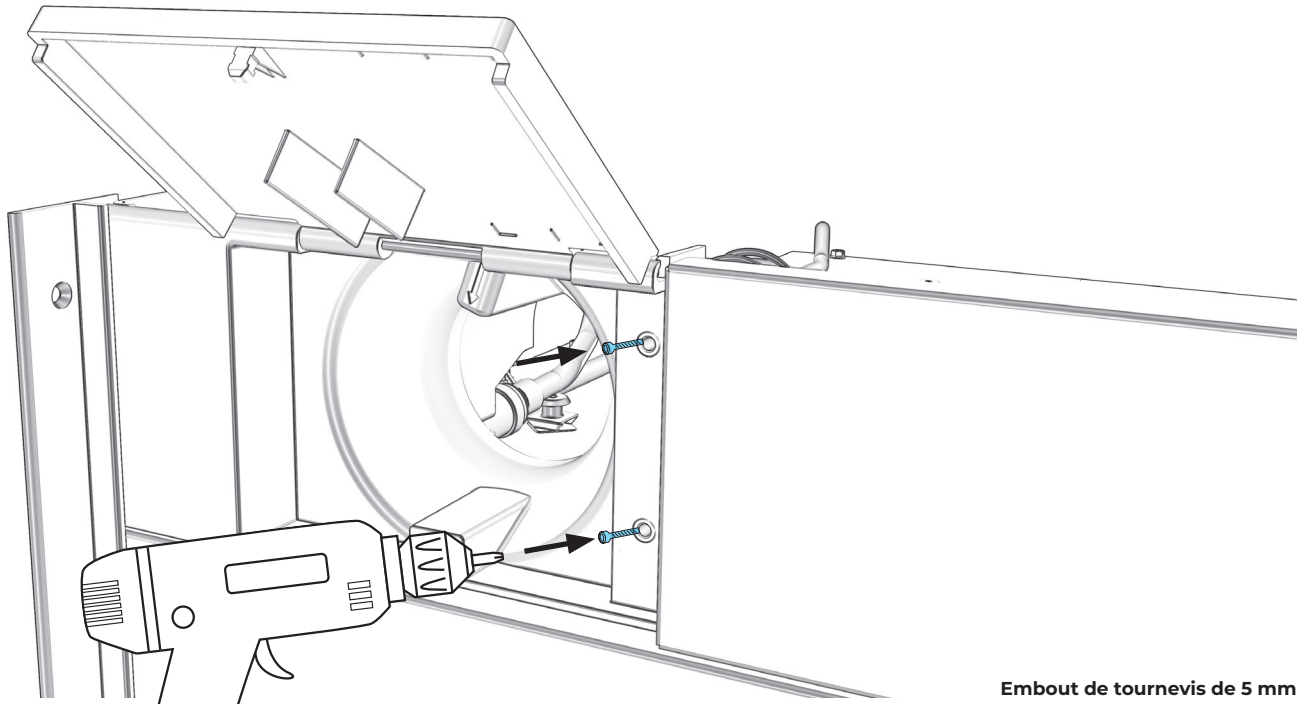
4.4

FAIRE TOURNER LE FILTRE DANS LE SENS HORAIRE POUR ALIGNER LES FLÈCHES.



4.5

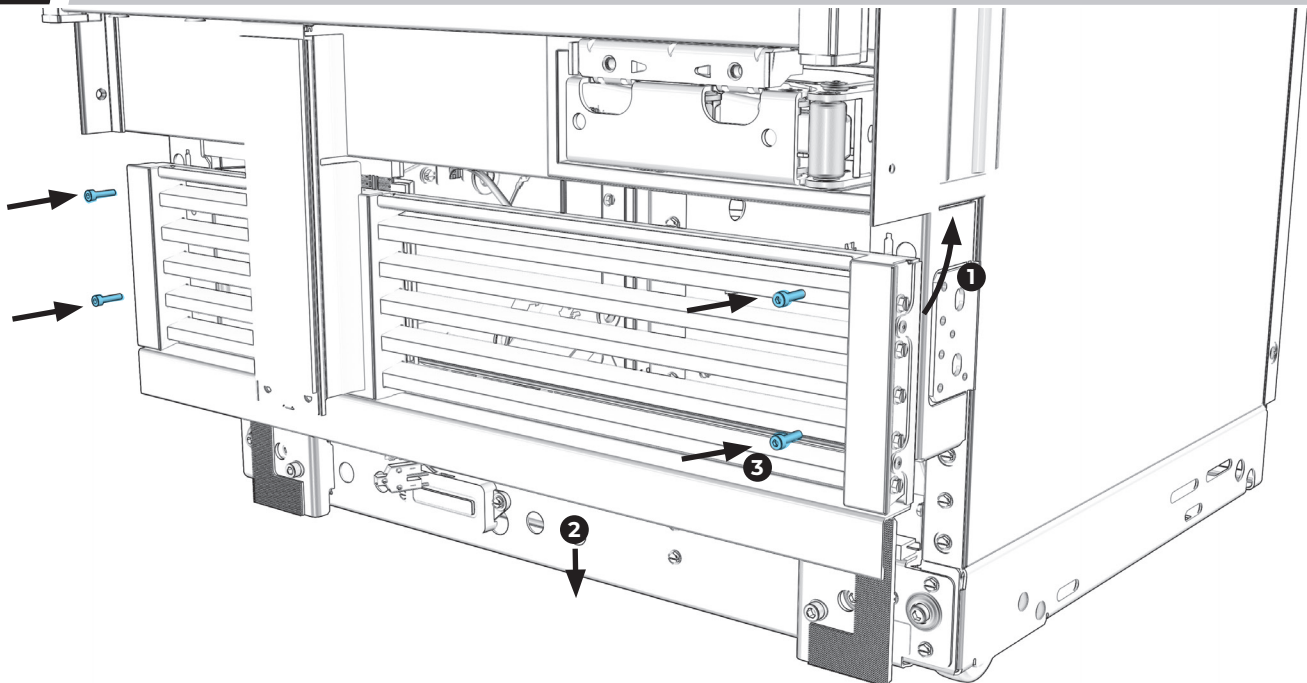
RÉINSTALLER LE COUVERCLE DU HAUT ET LE FIXER À L'AIDE DE DEUX VIS.



Embout de tournevis de 5 mm

4.6

RÉINSTALLER LA GRILLE DE VENTILATION.



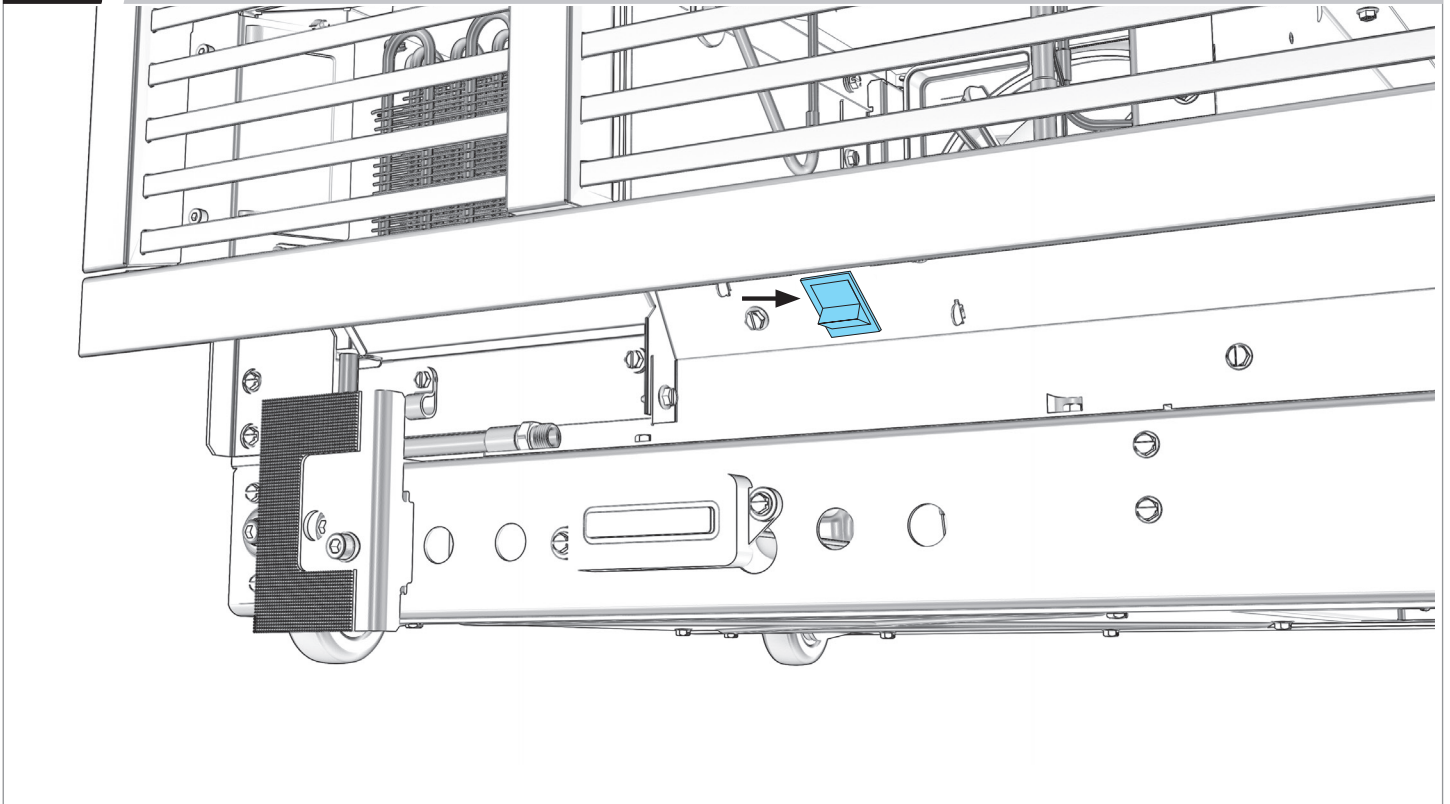
Embout de tournevis de 5 mm

4

PRÉPARATION DE LA PLINTE DE L'APPAREIL

4.7

METTRE L'APPAREIL SOUS TENSION.



VÉRIFICATION DE L'INSTALLATION

PG.116 PRÉPARATION DE LA PLINTHE
EN BOIS PERSONNALISÉE

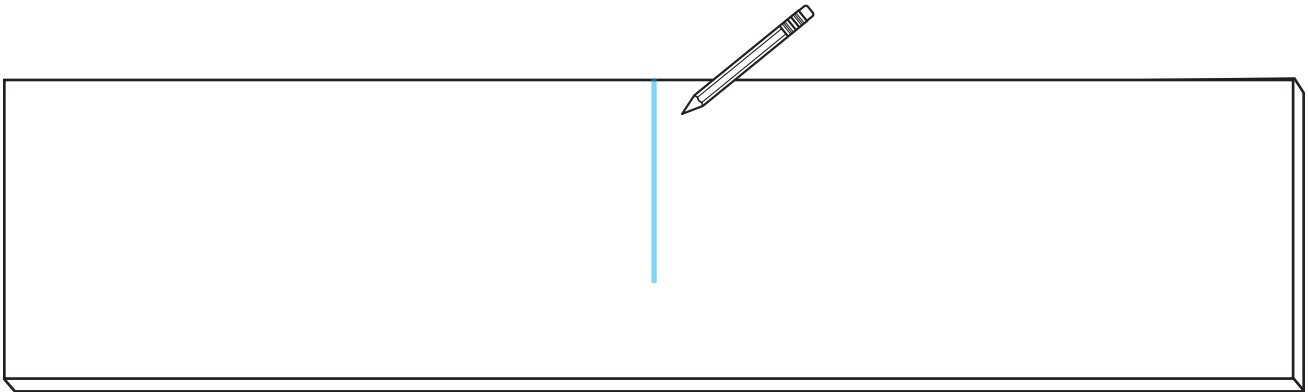
PG.120 PRÉPARATION DE LA PLINTHE
EN ACIER INOXYDABLE

PG.123 ALIGNER ET INSTALLER LA PLINTHE

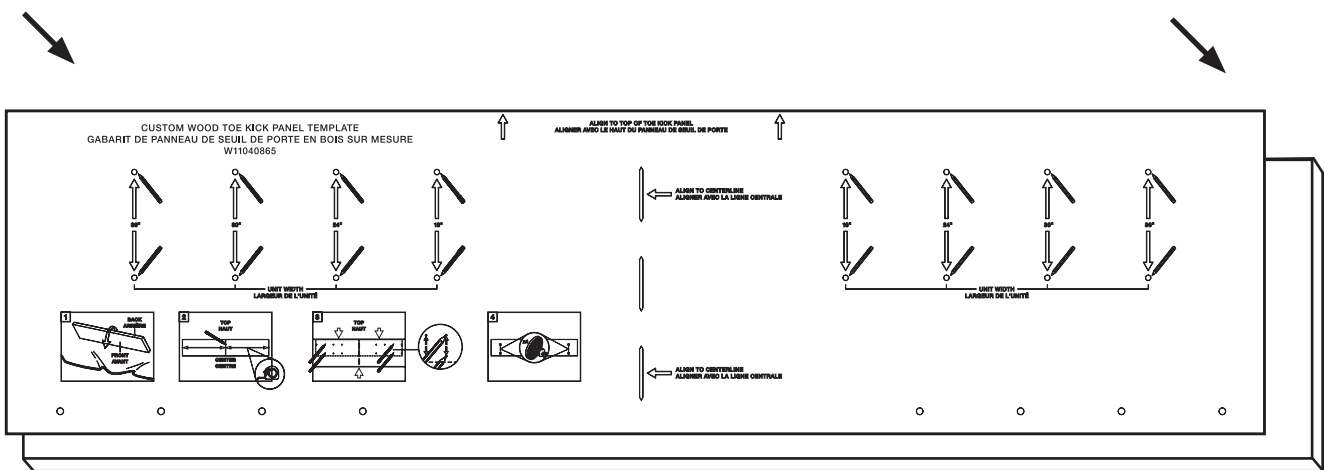


PRÉPARATION DE LA
P L I N T H E
EN BOIS PERSONNALISÉ

5.1 MESURER ET MARQUER LA LIGNE CENTRALE DE LA PLINTHE.



5.2 GABARIT D'ALIGNEMENT.

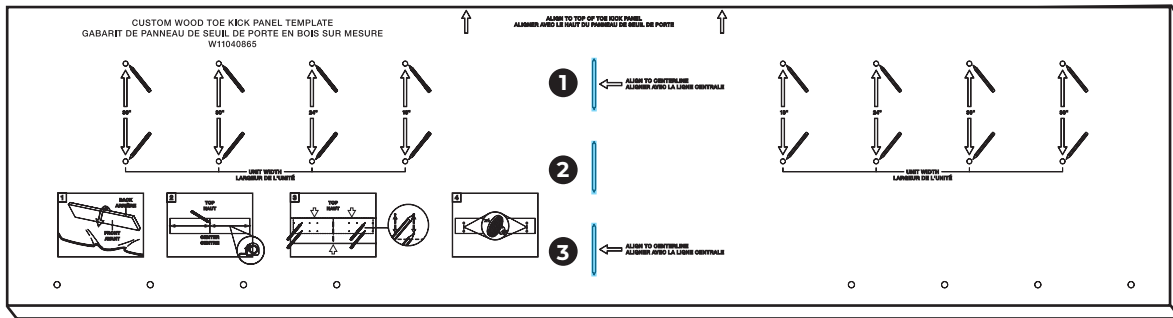


5

PRÉPARATION DE LA PLINTHE EN BOIS PERSONNALISÉE

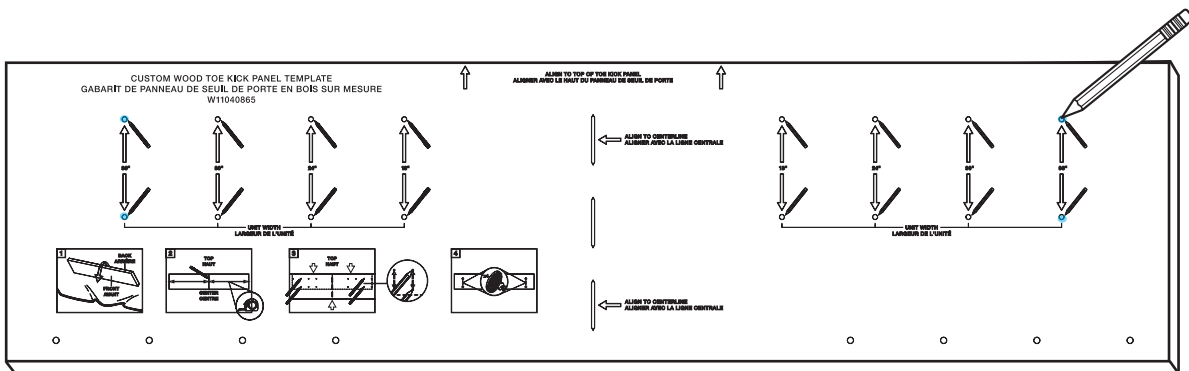
5.3

ALIGNER LE GABARIT AVEC LA LIGNE CENTRALE.



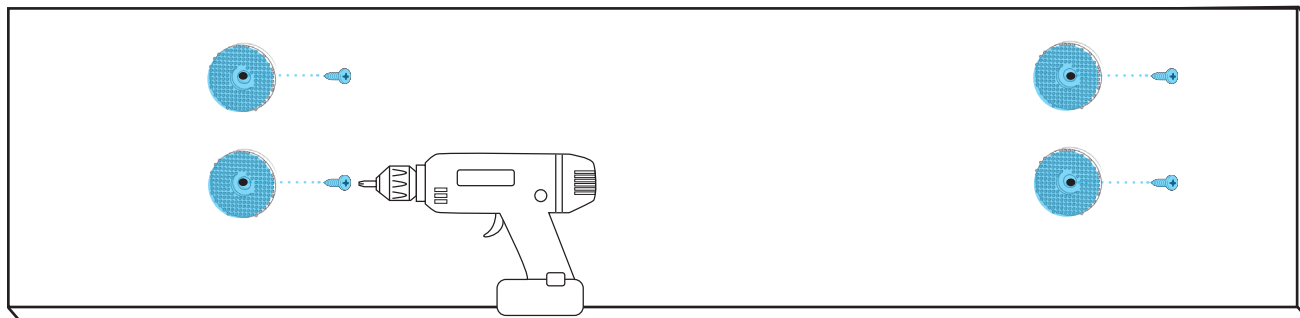
5.4

MARQUER LES EMPLACEMENTS DE COUSSINS DE PRISE.



5.5

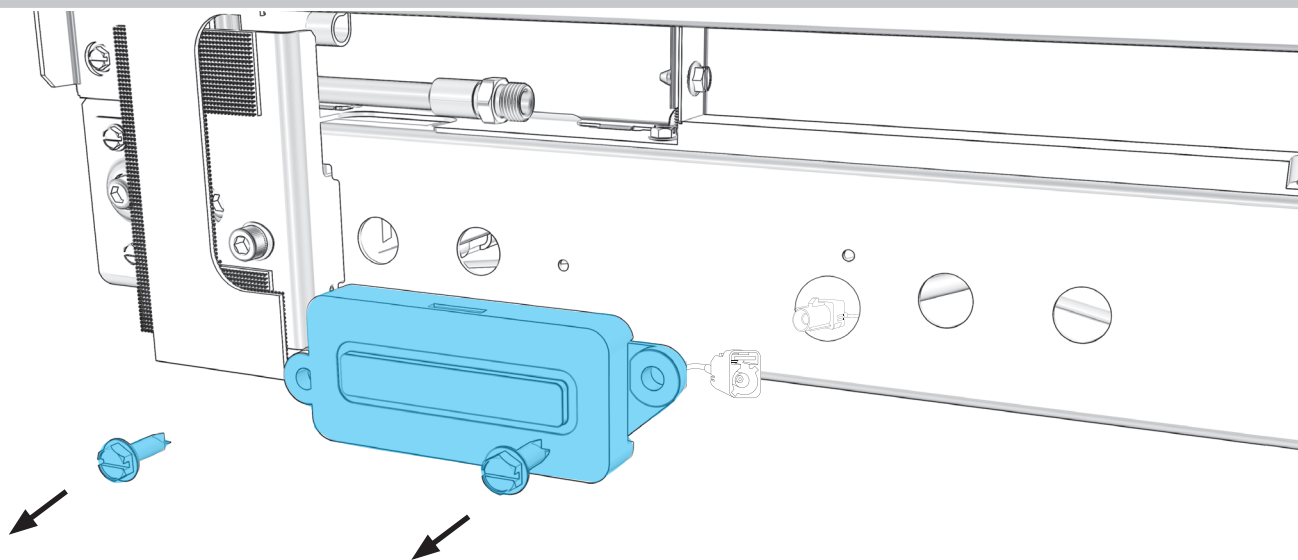
FIXER LES COUSSINS DE PRISE AUX POINTS.



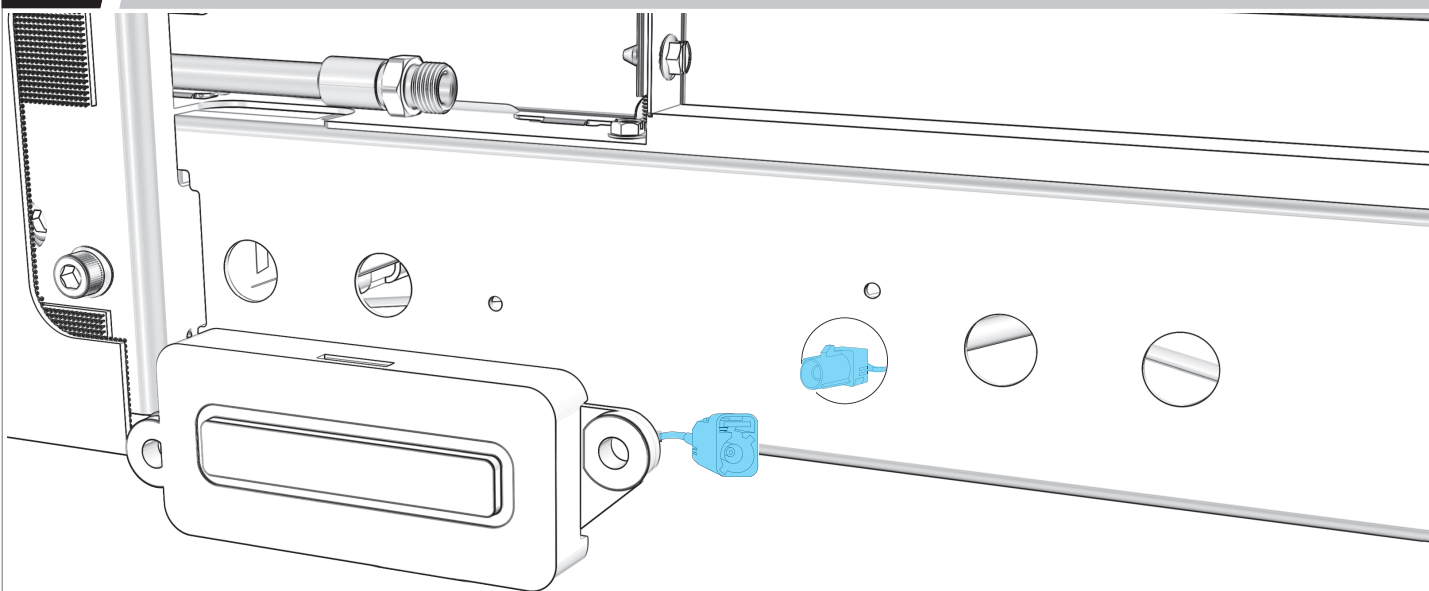


PRÉPARATION DE LA
P L I N G H E
EN ACIER INOXYDABLE

6.1 DÉVISSER ET JETER LE HARNAIS WI-FI.



6.2 DÉBRANCHER LE FIL WI-FI BLEU DU HARNAIS.

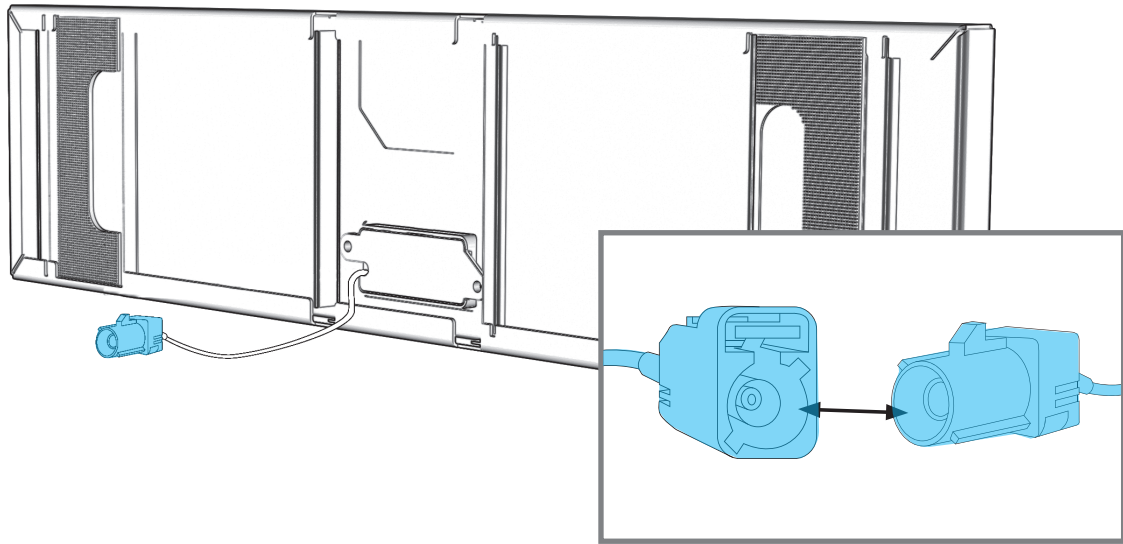


6

PRÉPARATION DE LA PLINTHE EN ACIER INOXYDABLE

6.3

BRANCHER LES FILS BLEUS DE LA PLINTHE ET DE L'APPAREIL.





ALIGNEMENT ET INSTALLATION DE LA

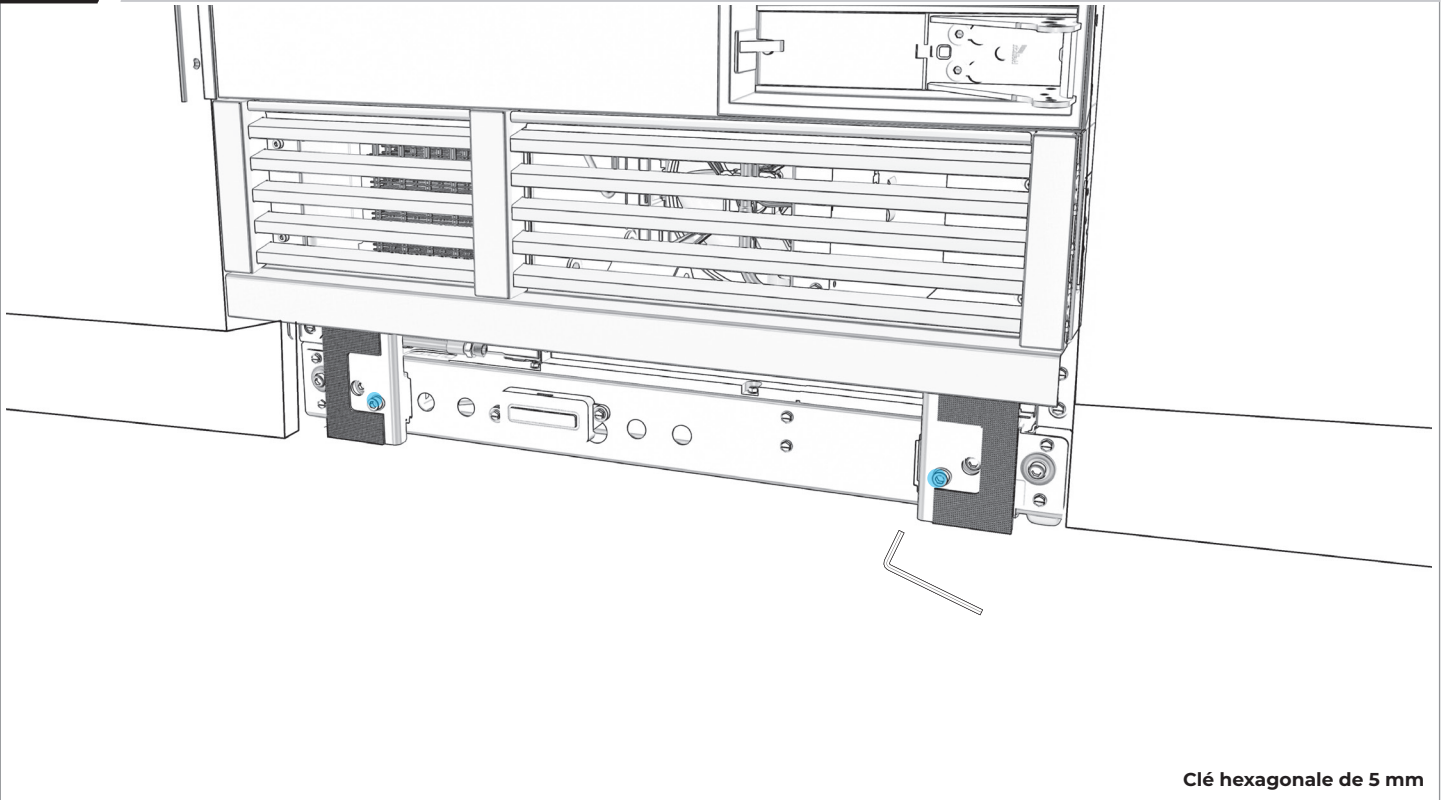
P L I N T H E

7

ALIGNEMENT ET INSTALLATION DE LA PLINTHE

7.1

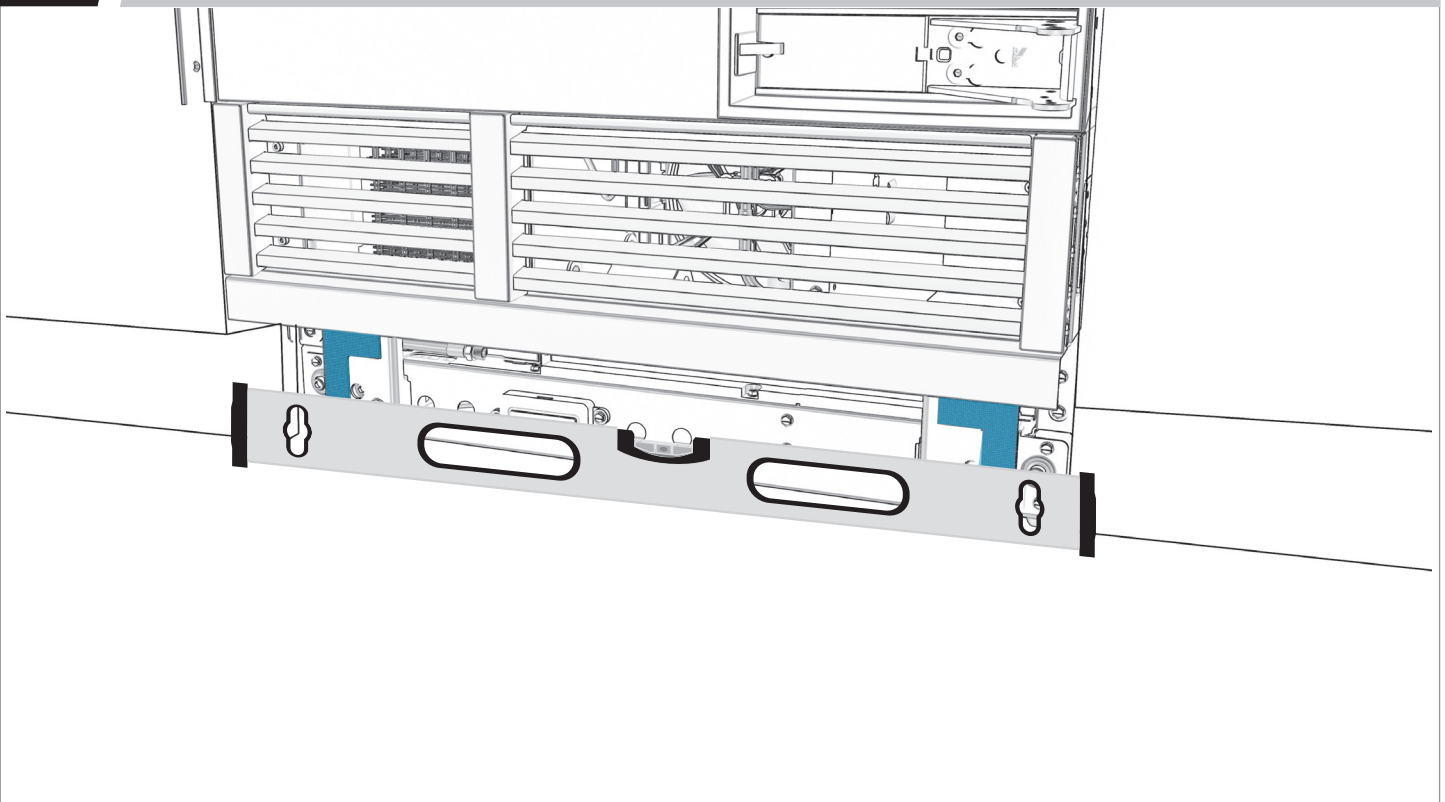
ALIGNER LES SUPPORTS DE LA PLINTHE AVEC LA PLINTHE DU MEUBLE.



Clé hexagonale de 5 mm

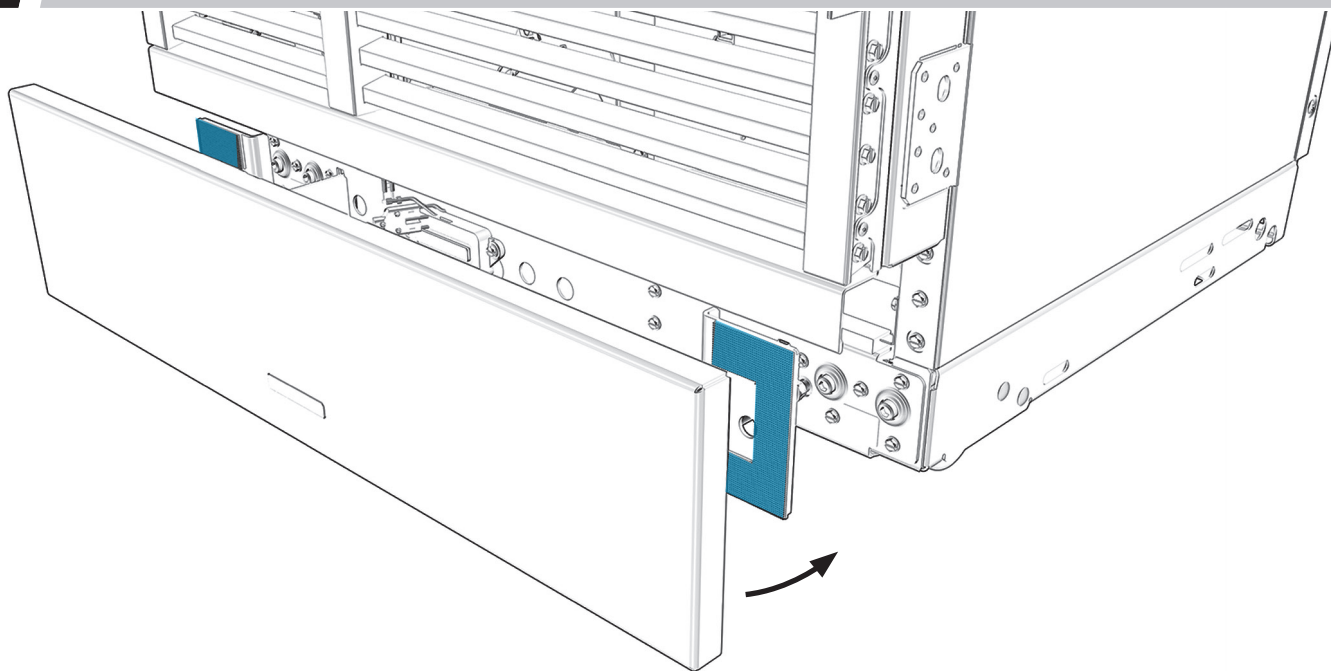
7.2

VÉRIFIER QUE LES SUPPORTS SONT ALIGNÉS.



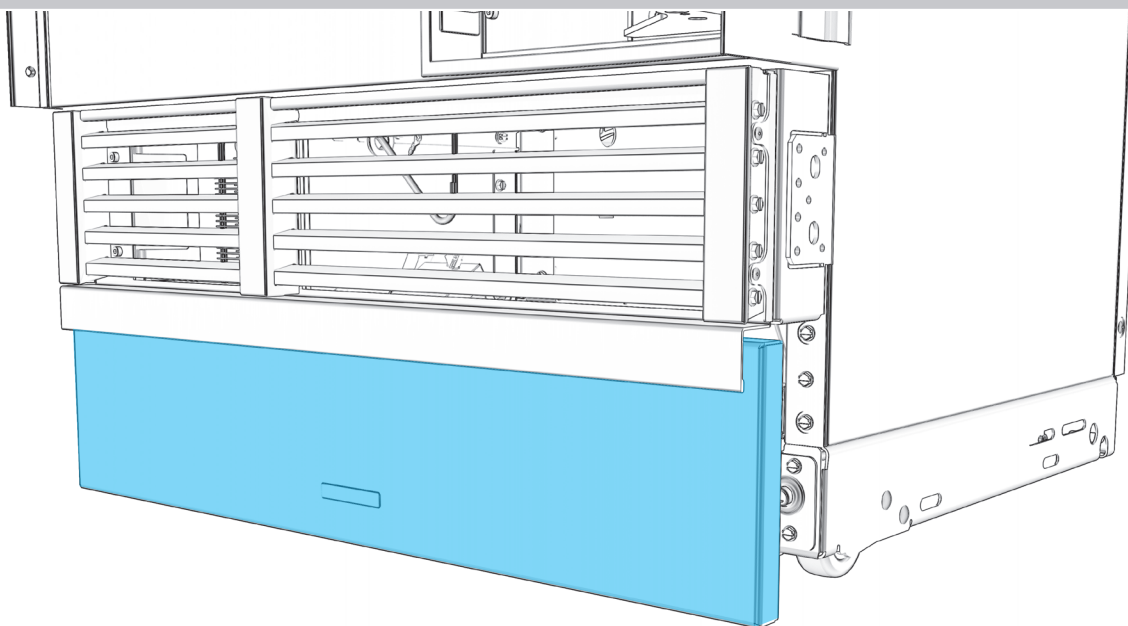
7.3

ALIGNER LES COUSSINS DE PRISE DE LA PLINTHE AVEC LES SUPPORTS.



7.4

PRESSER FERMEMENT POUR FIXER.

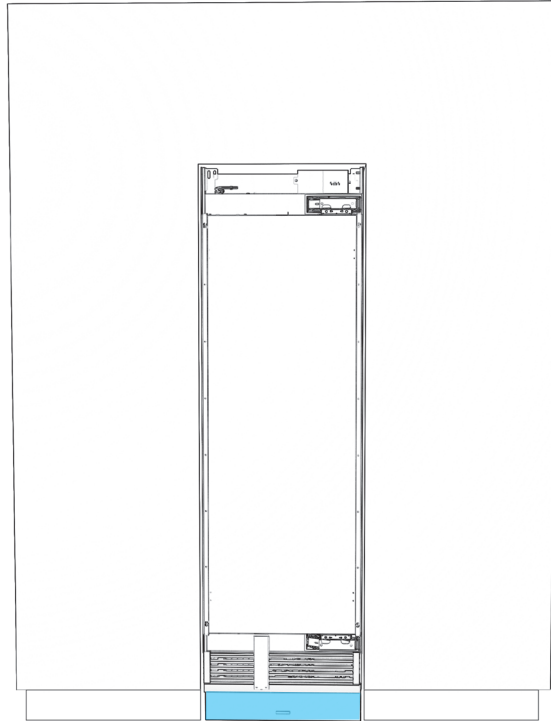


7

ALIGNEMENT ET INSTALLATION DE LA PLINTHE

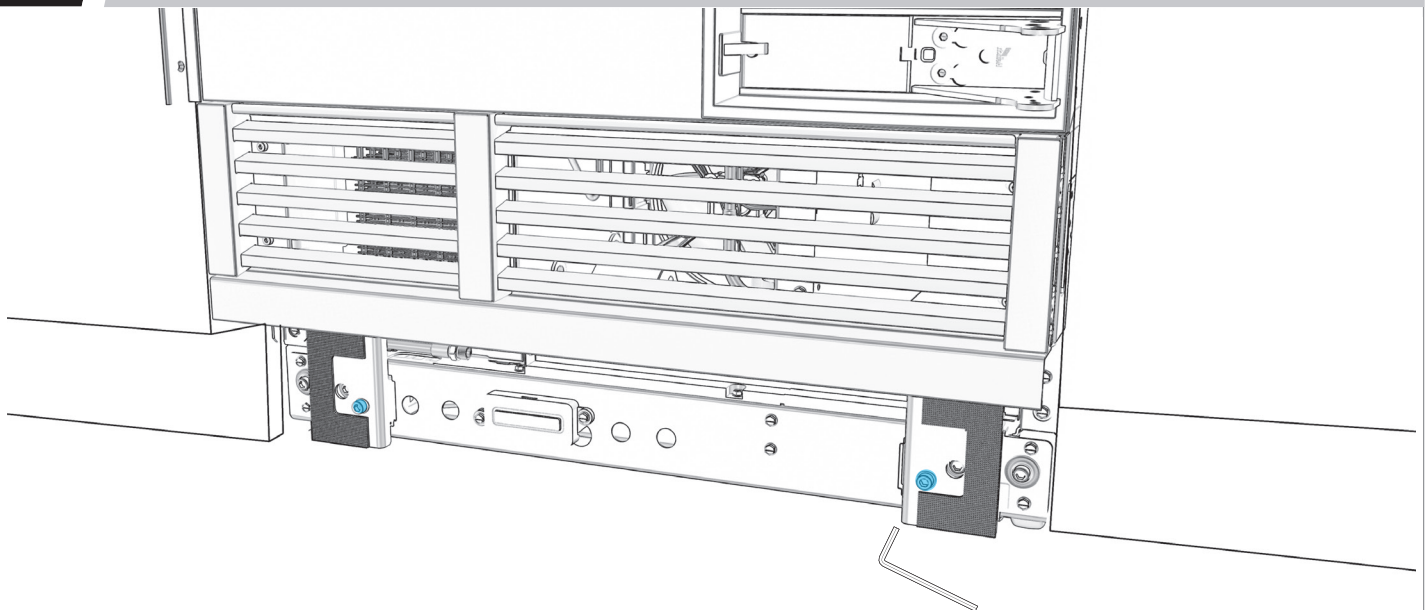
7.5

MESURER LE DÉCALAGE. S'IL N'EST PAS ÉGAL, ENLEVER LE PANNEAU.



7.6

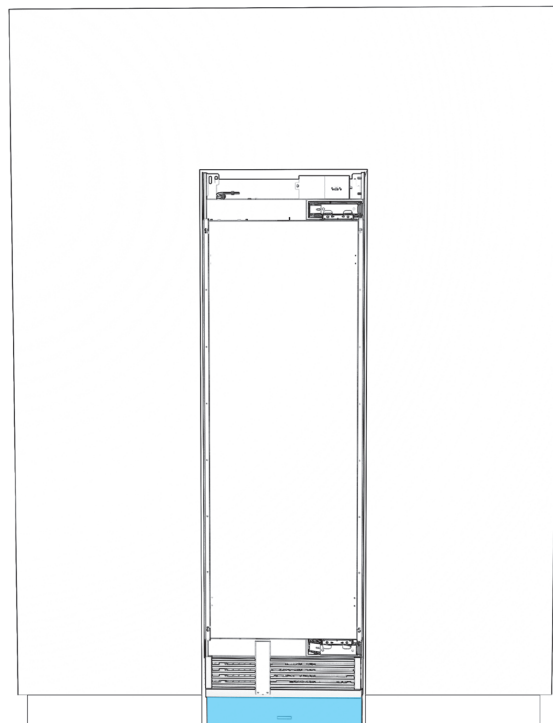
AJUSTER LES SUPPORTS POUR ALIGNER LE PANNEAU.



Clé hexagonale de 5 mm

7.7

CONFIRMER L'ALIGNEMENT, REPLACER AU BESOIN.



VÉRIFICATION DE L'INSTALLATION

- PG.129** PANNEAU DE PORTE EN BOIS PERSONNALISÉ
- PG.134** PANNEAU DE PORTE EN ACIER INOXYDABLE
- PG.137** SUSPENDRE ET ALIGNER UN PANNEAU DE PORTE

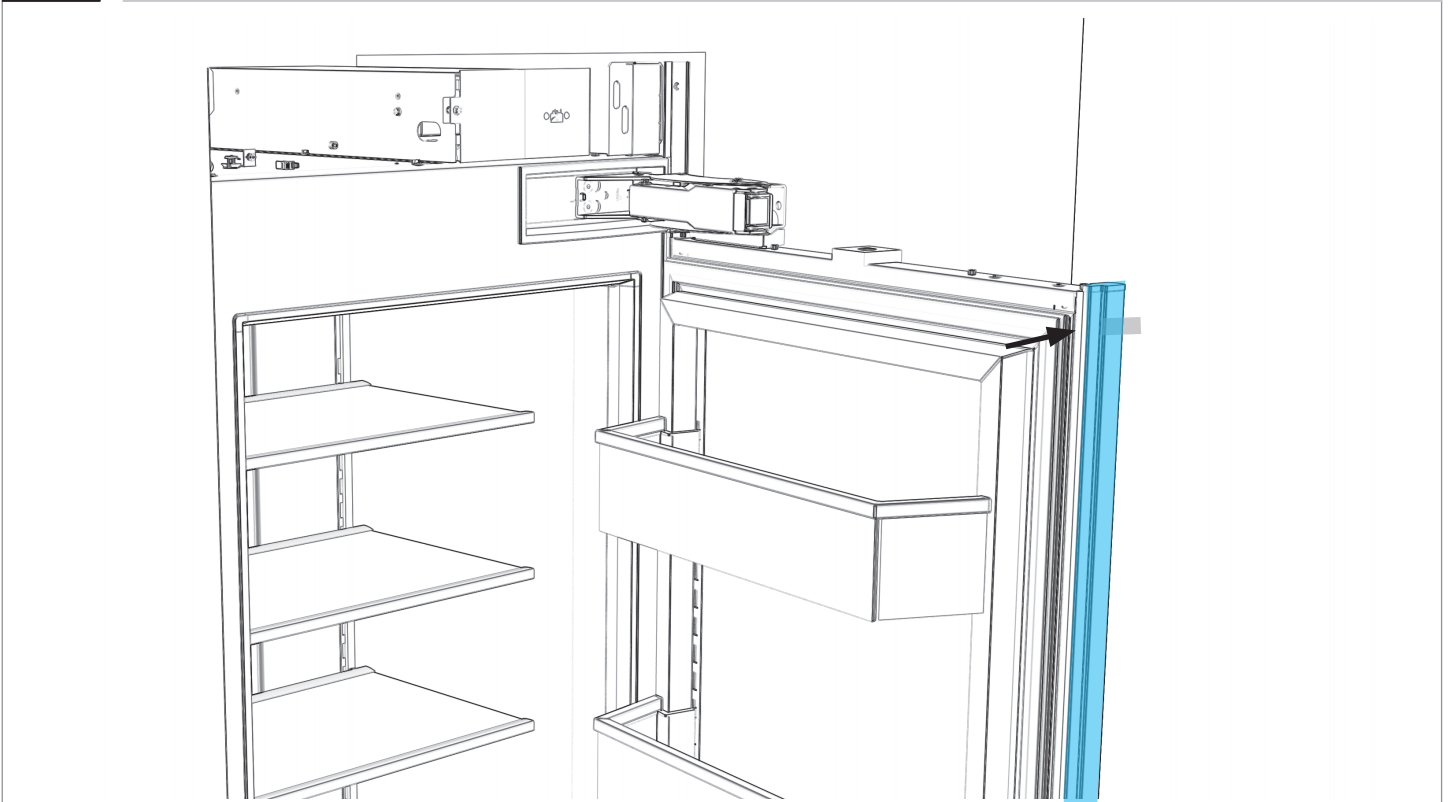
PRÉPARATION DU
P A N N E A U
EN BOIS PERSONNALISÉ

8

PRÉPARATION DU PANNEAU DE BOIS PERSONNALISÉ

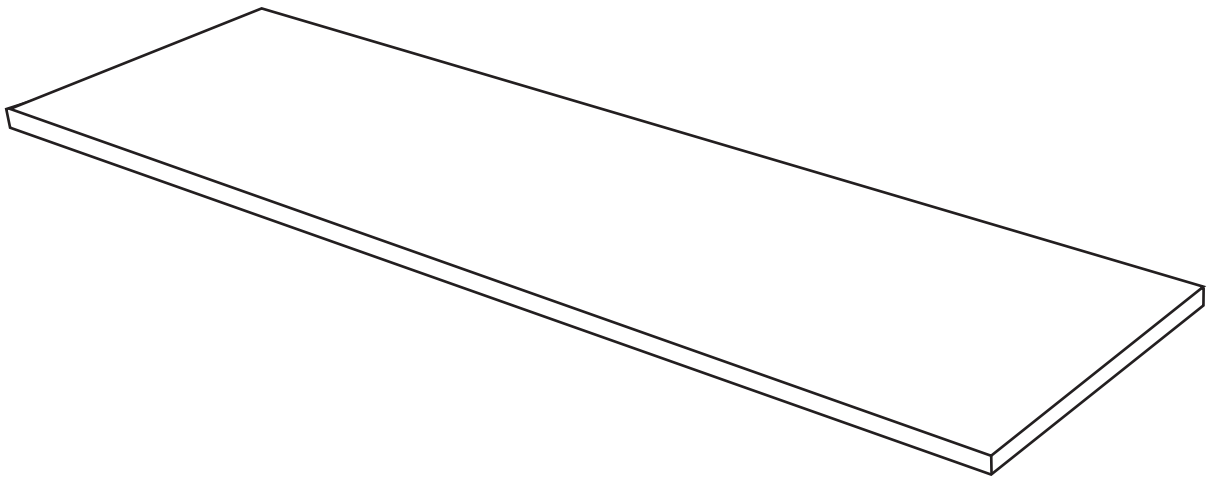
8.1

TIRER SUR LE RUBAN POUR FAIRE SORTIR LA GARNITURE DE SUPPORT.



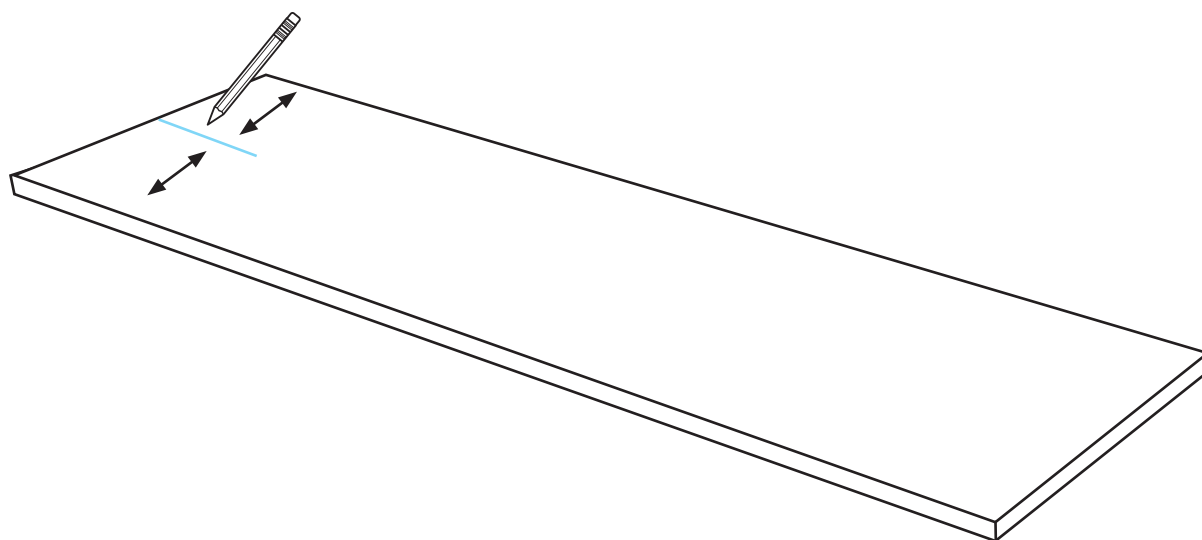
8.2

PLACER LE PANNEAU, FACE CONTRE LE SOL.

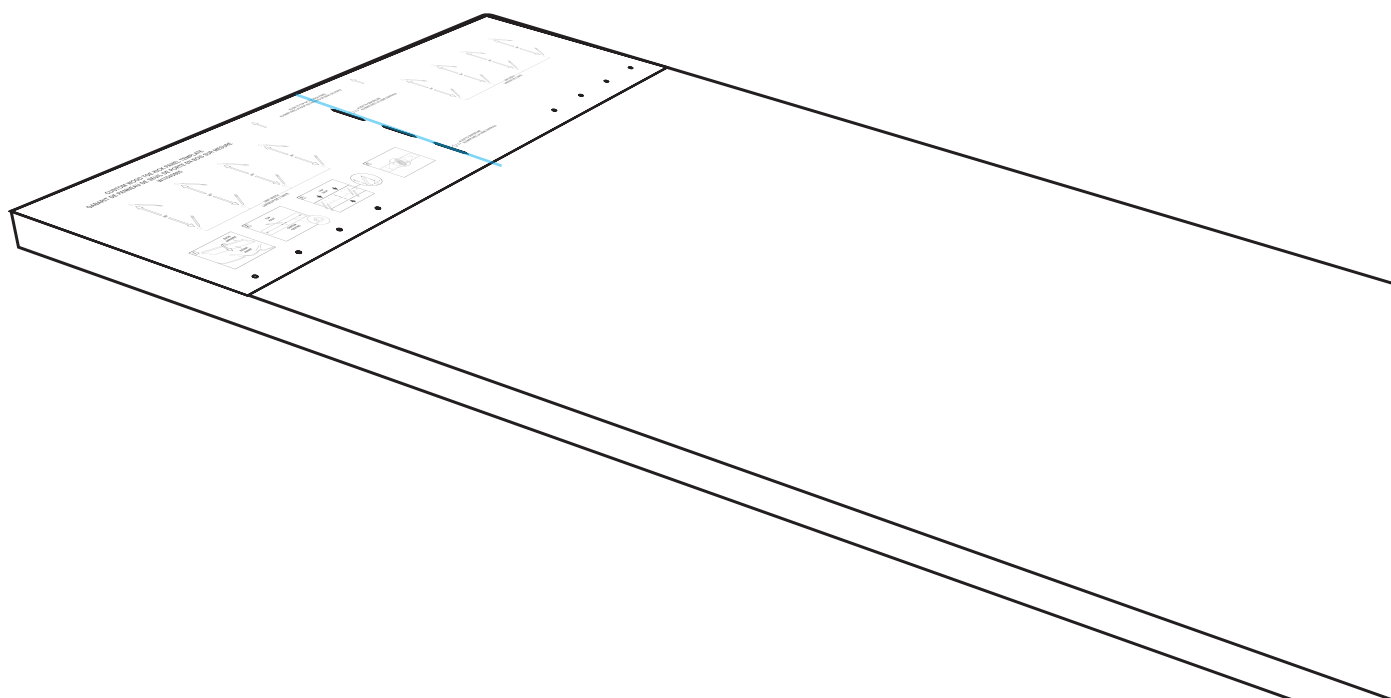


PLACER SUR UNE SURFACE PLANE, RECOUVERTE D'UN TISSU

8.3 MESURER ET MARQUER LE CENTRE DU PANNEAU.



8.4 ALIGNER LES FENTES DU GABARIT POUR PANNEAU EN BOIS PERSONNALISÉ AVEC LA LIGNE AU CENTRE DU PANNEAU.

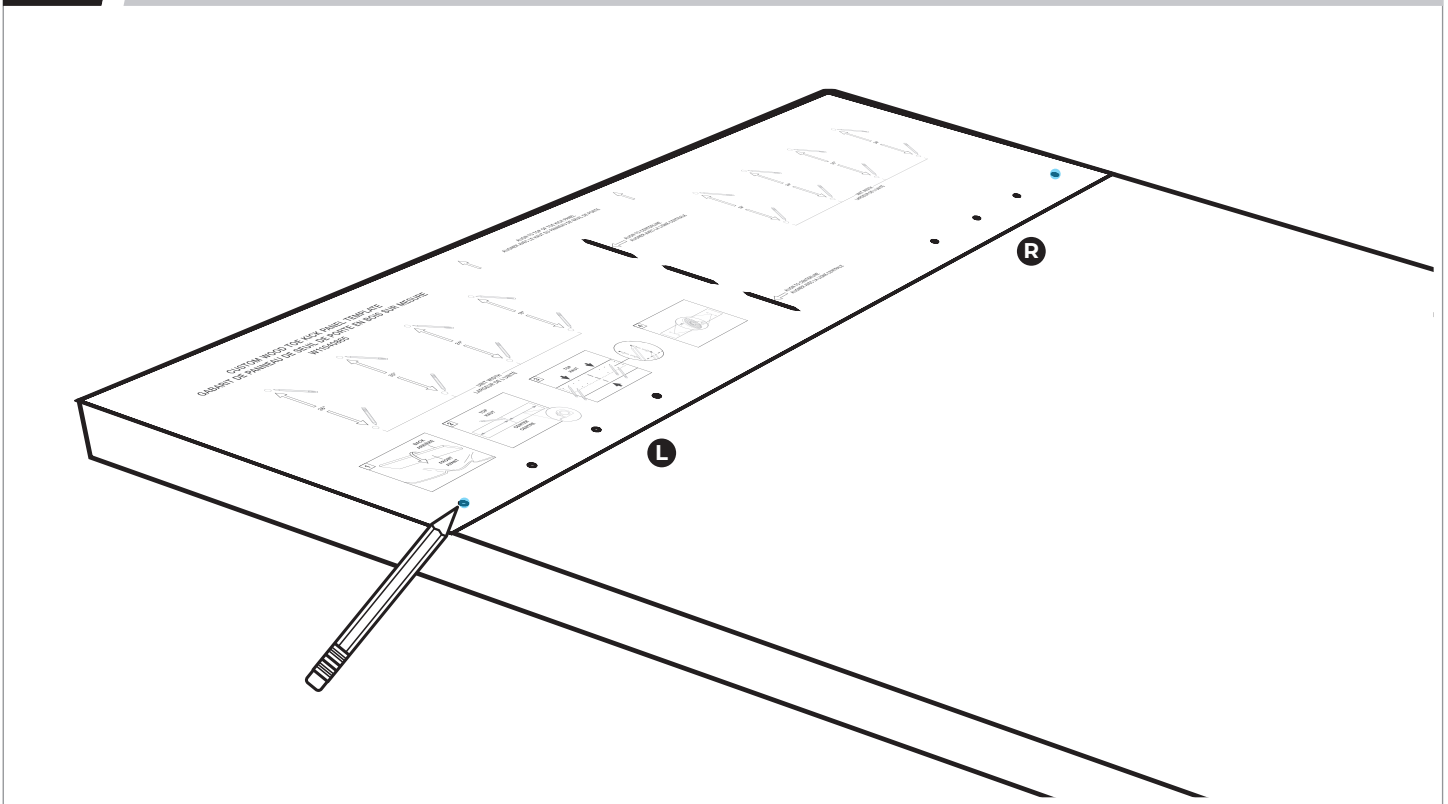


8

PRÉPARATION DU PANNEAU DE BOIS PERSONNALISÉ

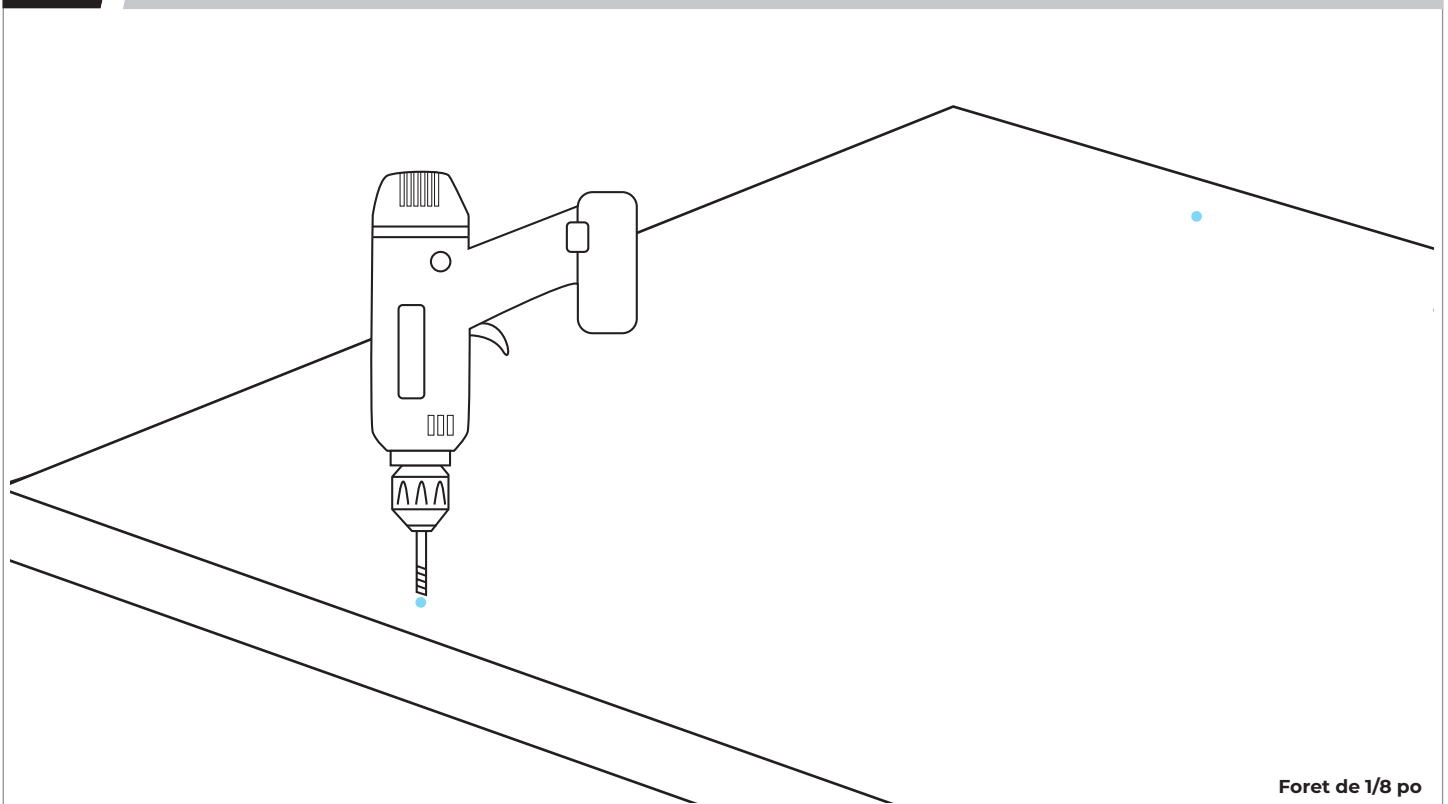
8.5

MARQUER LES TROUS DE GAUCHE ET DE DROITE.



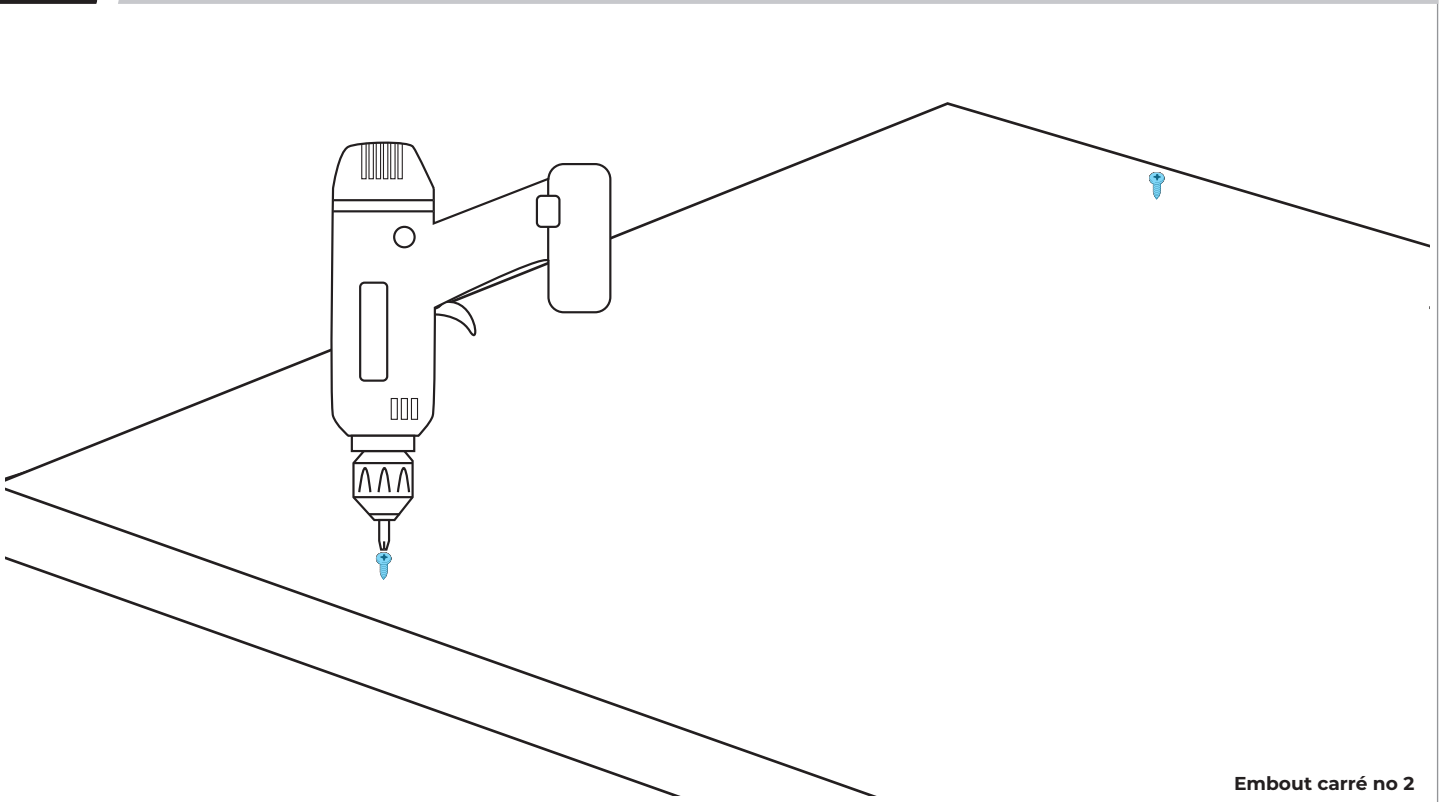
8.6

PERCER LES TROUS.

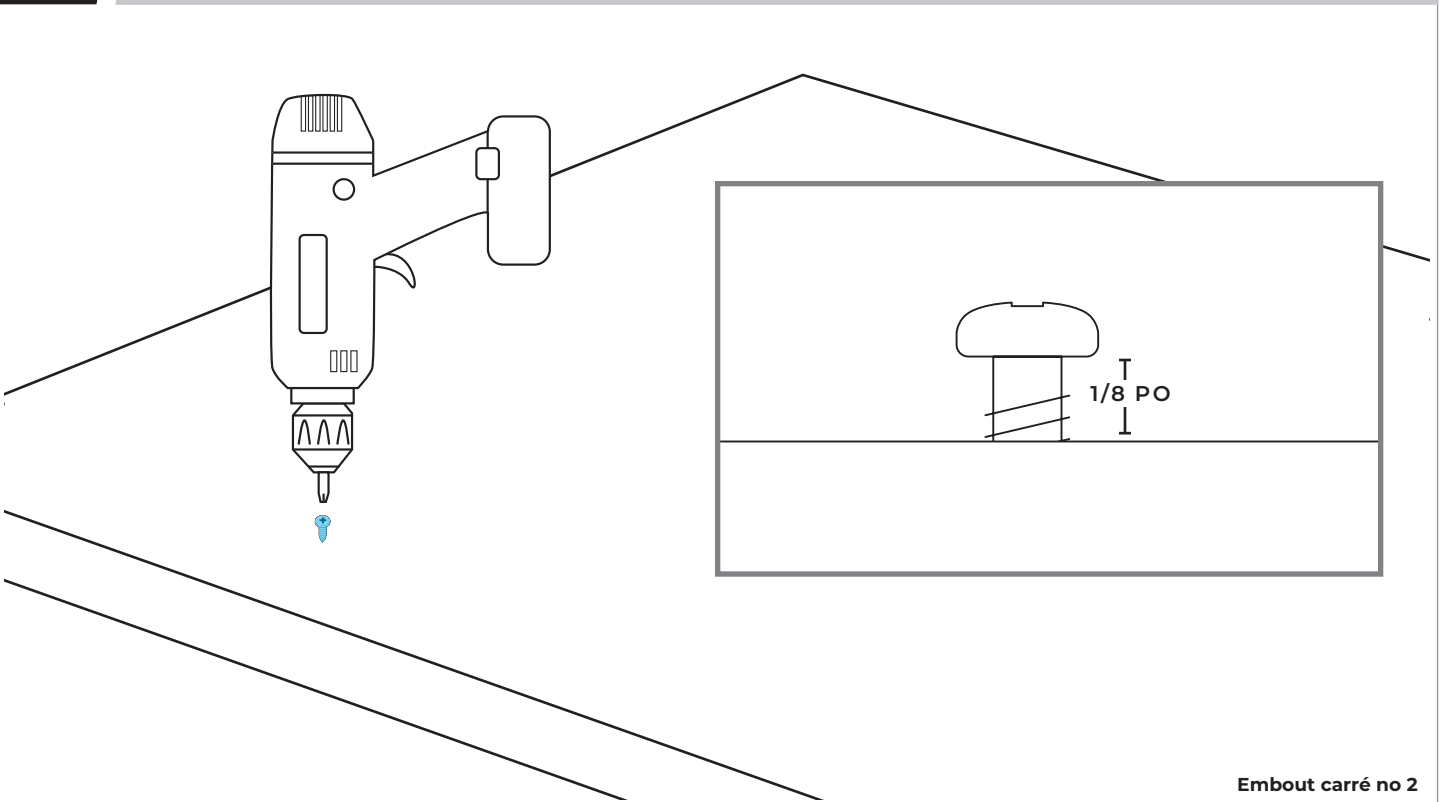


Foret de 1/8 po

8.7 INSÉRER DES VIS DANS LES TROUS.



8.8 S'ASSURER DE GARDER UN JEU DE 1/8 PO (3,18 MM).

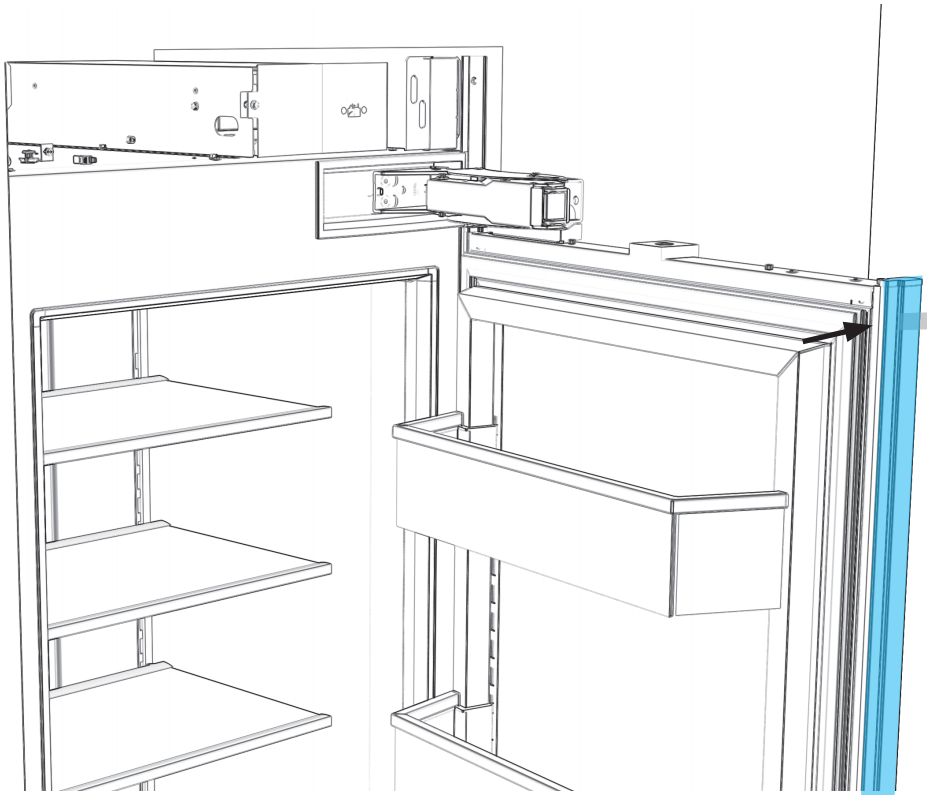




PRÉPARATION DU
P A N N E A U
EN ACIER INOXYDABLE

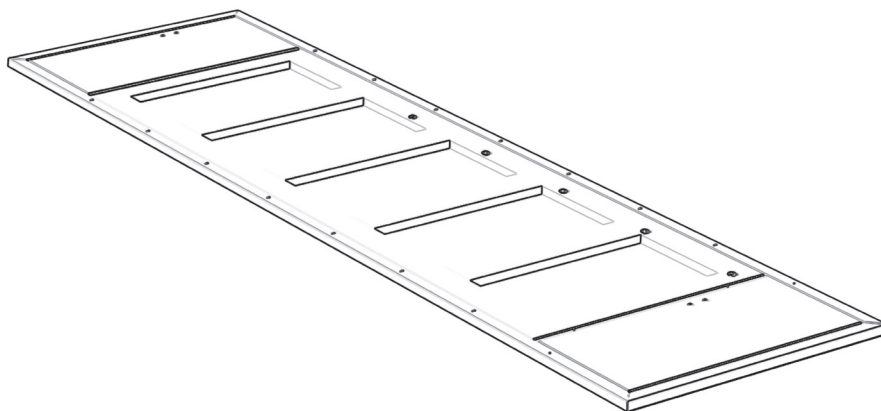
9.1

TIRER SUR LE RUBAN POUR FAIRE SORTIR LES GARNITURES DE SUPPORT.



9.2

PLACER LE PANNEAU, FACE CONTRE LE SOL.



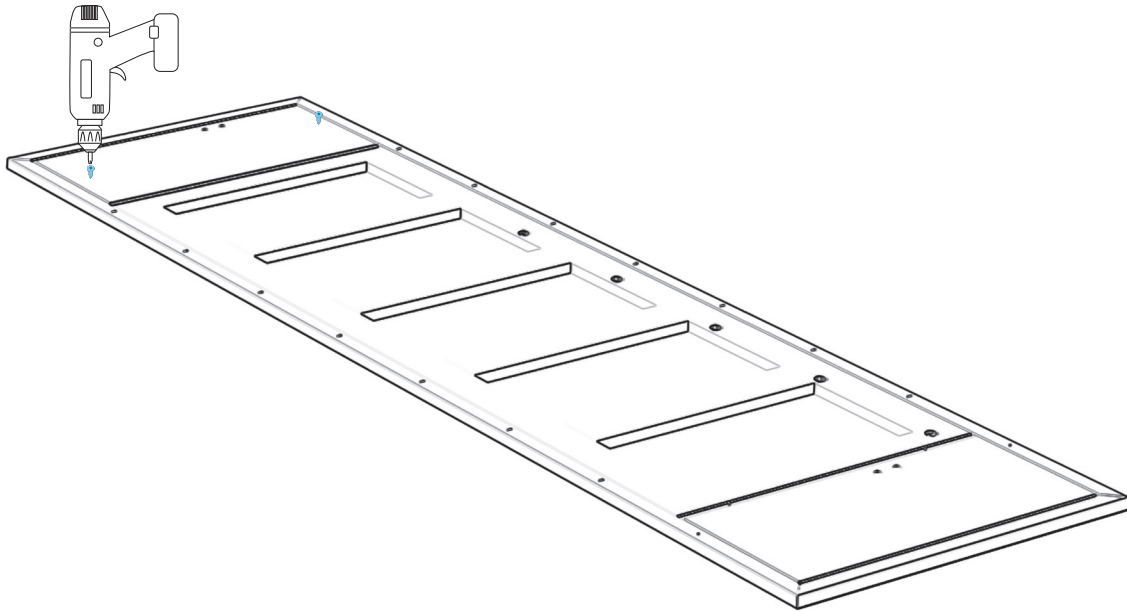
PLACER SUR UNE SURFACE PLANE, RECOUVERTE D'UN TISSU

9

PRÉPARATION DU PANNEAU EN ACIER INOXYDABLE

9.3

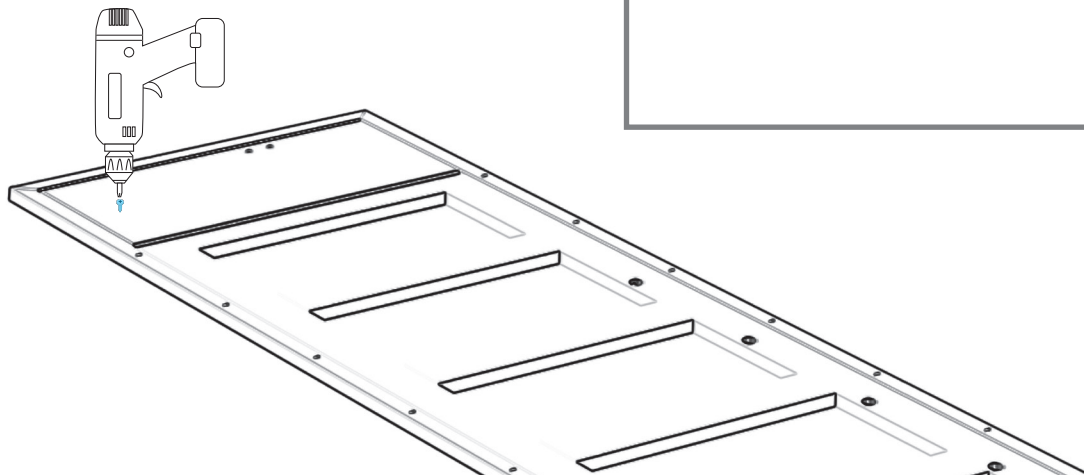
INSÉRER DES VIS DANS LES TROUS.



Embout carré no 2

9.4

S'ASSURER DE GARDER UN JEU DE 1/8 PO (3,18 MM).



Embout carré no 2

10

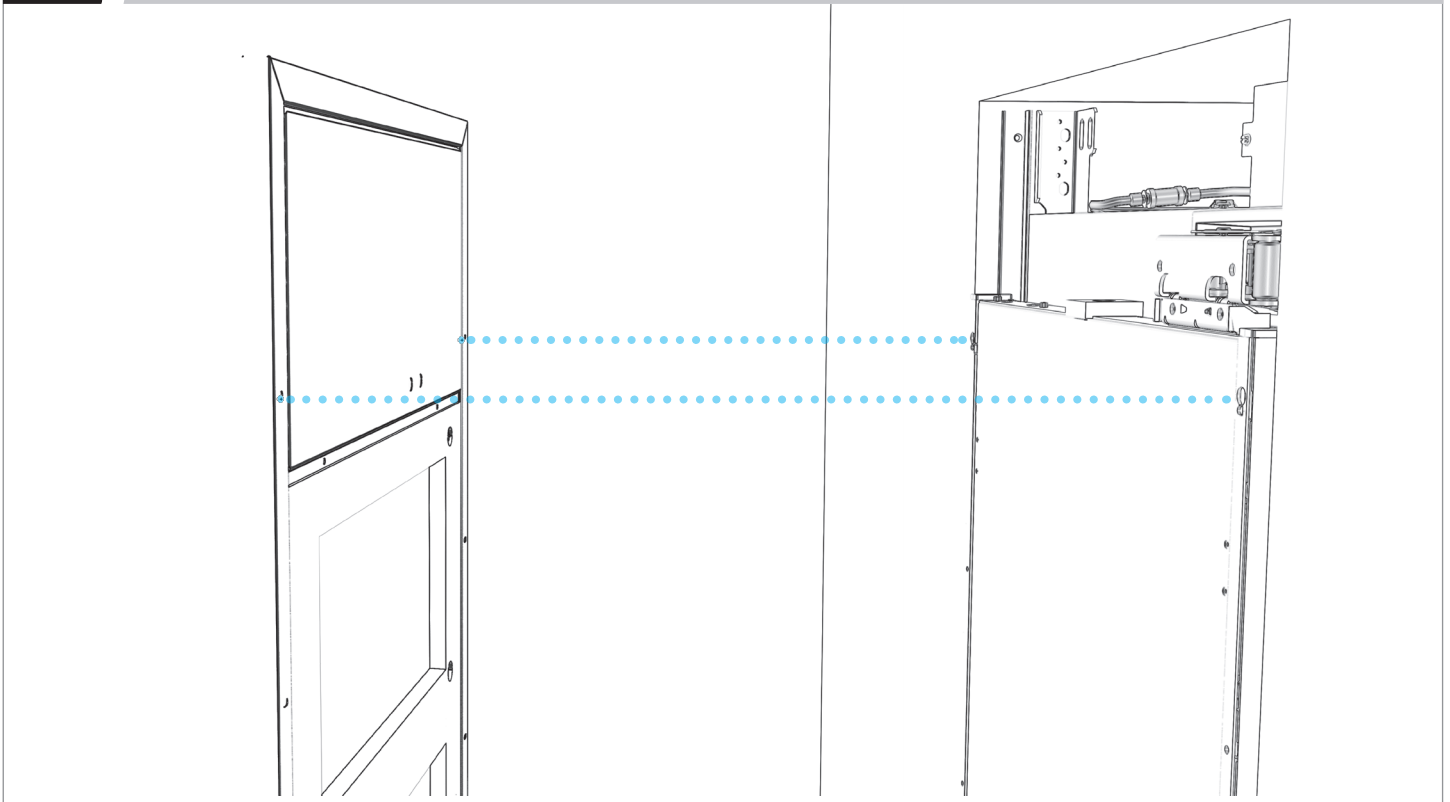
SUSPENSION ET AJUSTEMENT DU
P A N N E A U

10

SUSPENSION ET AJUSTEMENT DU PANNEAU

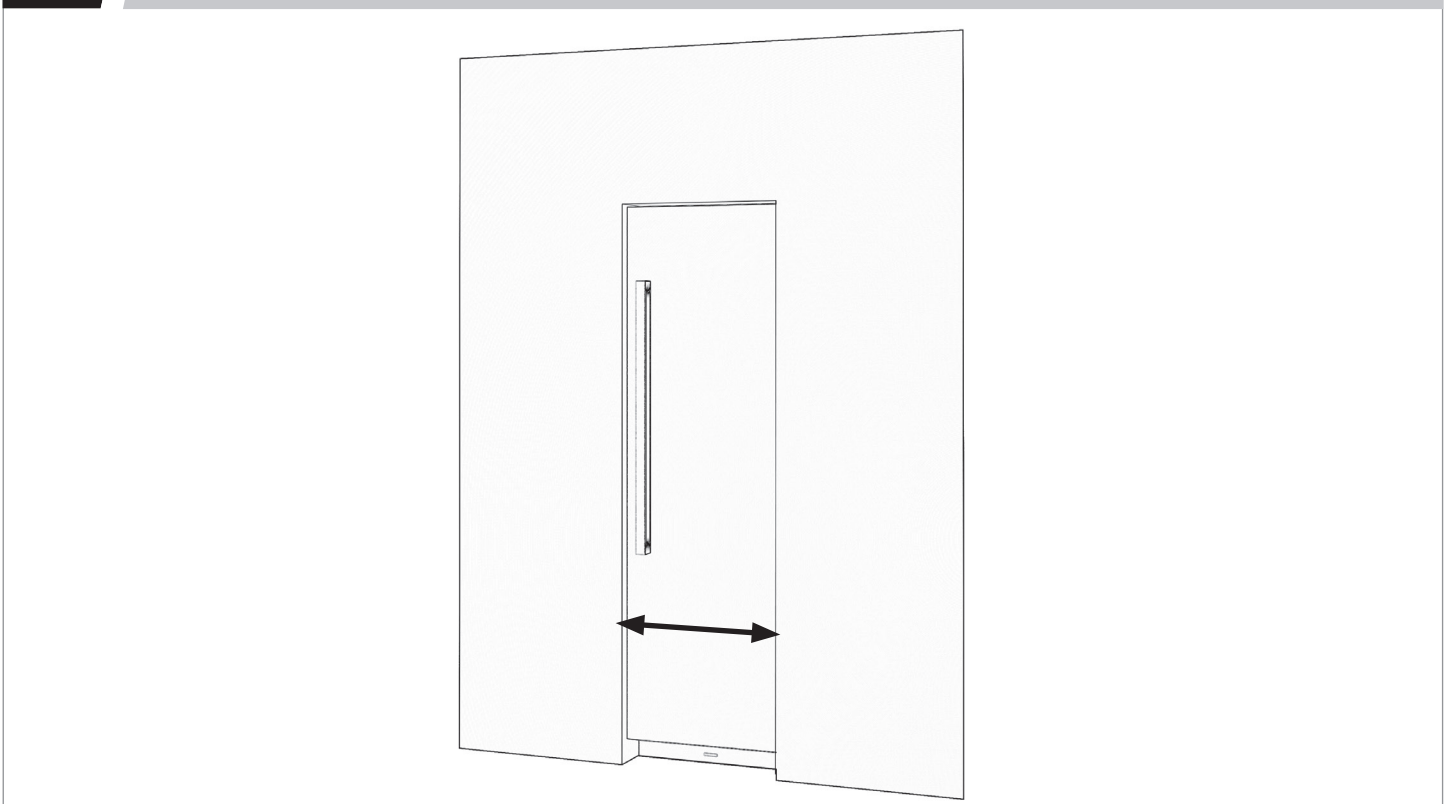
10.1

INSÉRER LES VIS DANS LES FENTES SUPÉRIEURES DES GARNITURES D'AJUSTEMENT DE PORTE.

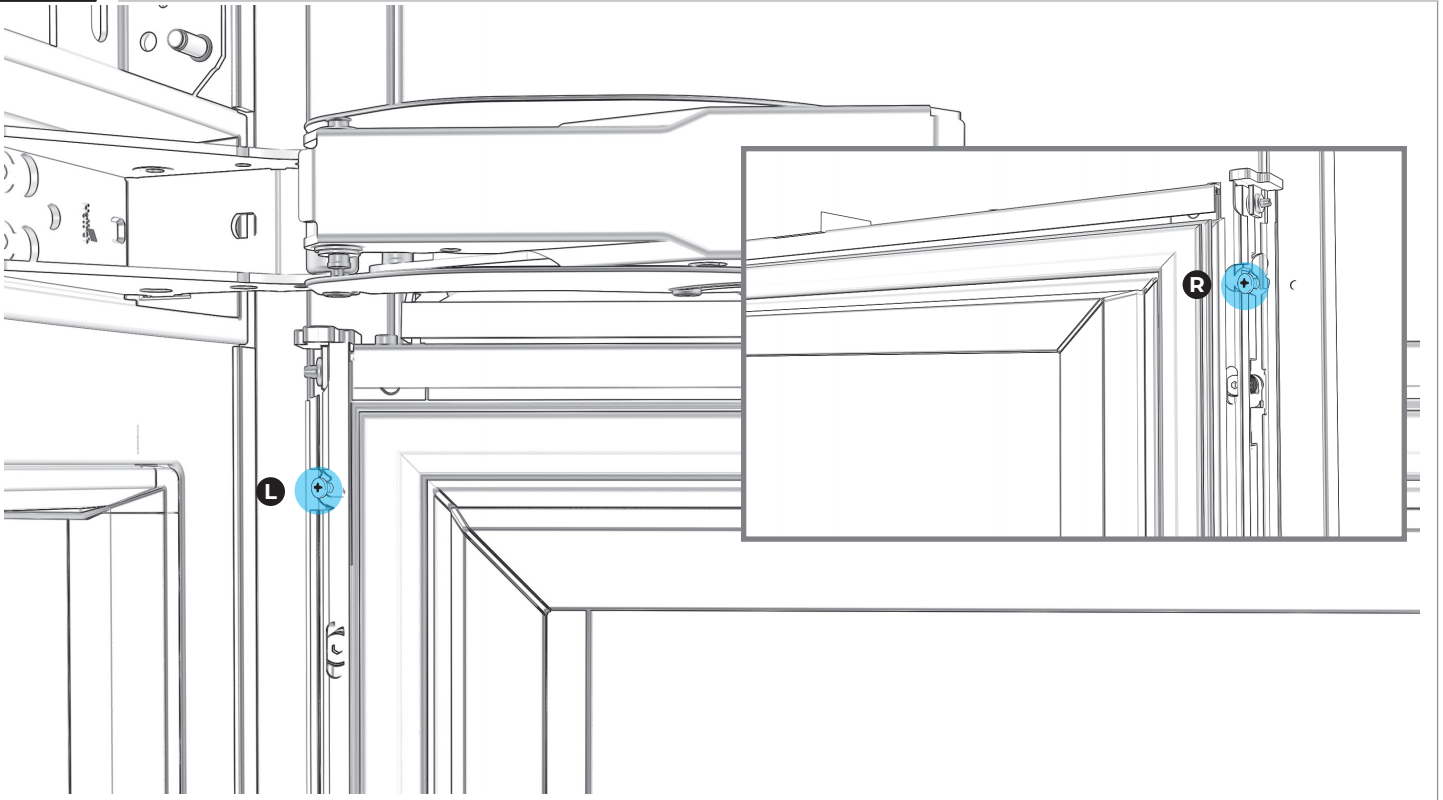


10.2

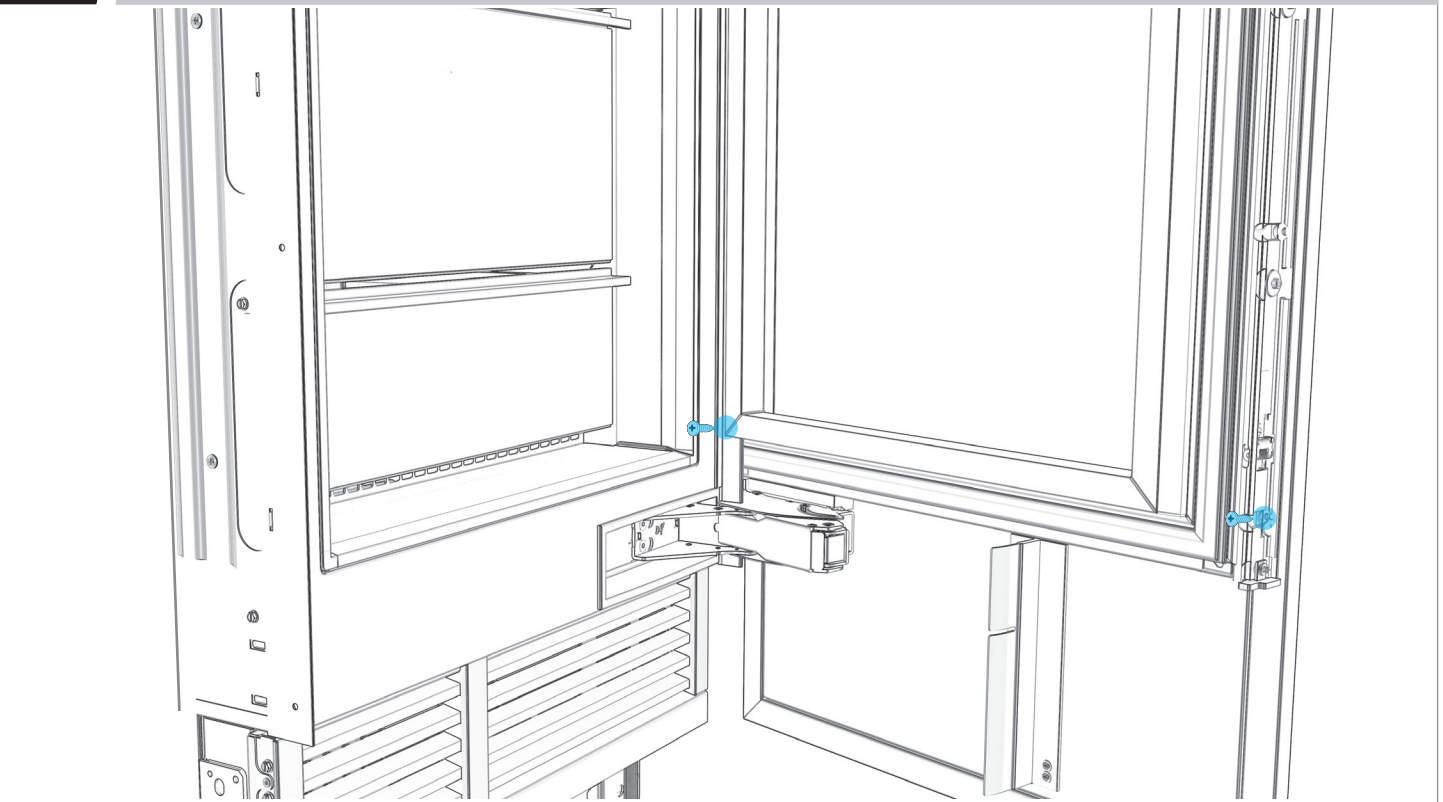
AJUSTER MANUELLEMENT LA POSITION DU PANNEAU DE PORTE.



10.3 SERRER LES DEUX VIS SUPÉRIEURES.



10.4 INSERRER, SANS SERRER, DEUX VIS DANS LES TROUS INFÉRIEURS.

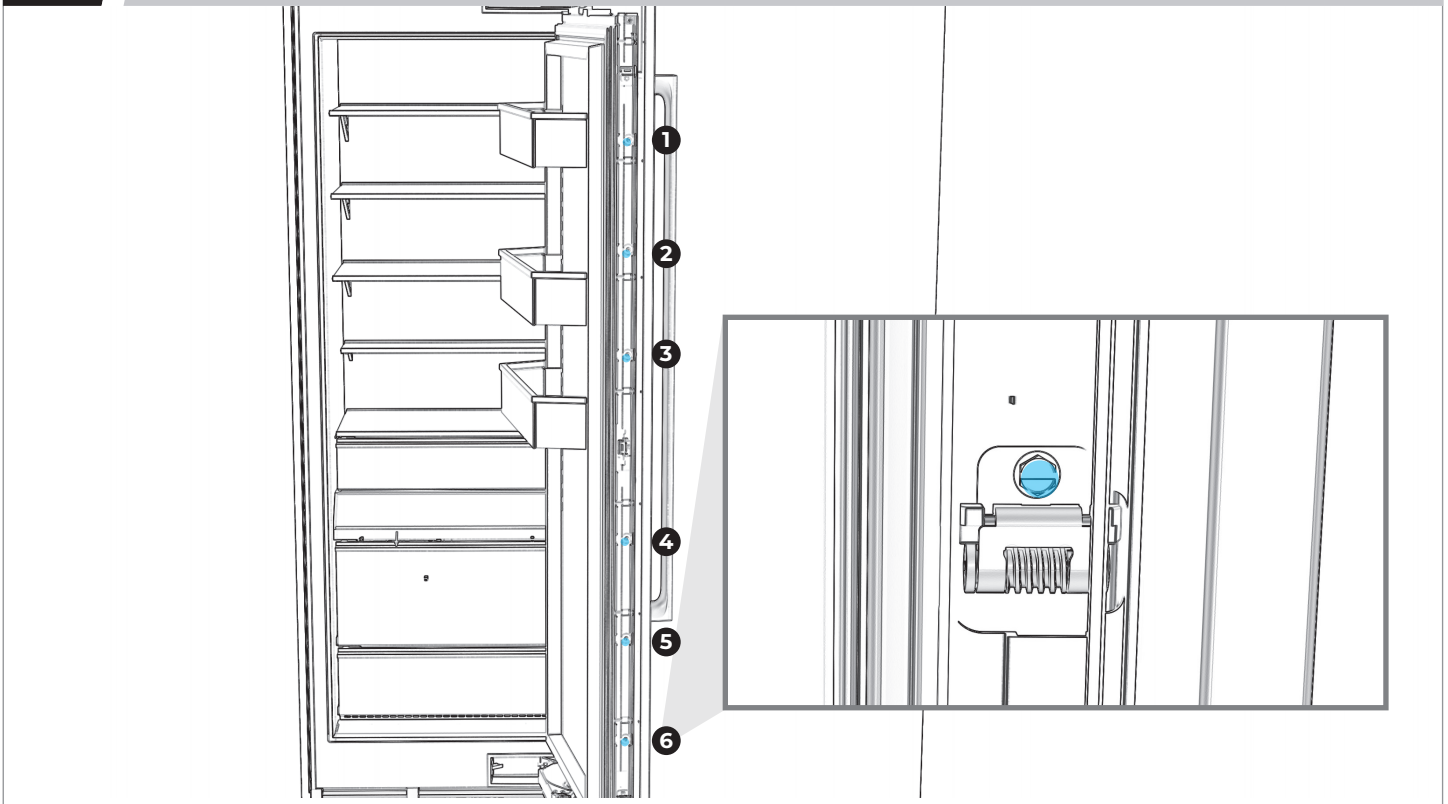


10

SUSPENSION ET AJUSTEMENT DU PANNEAU

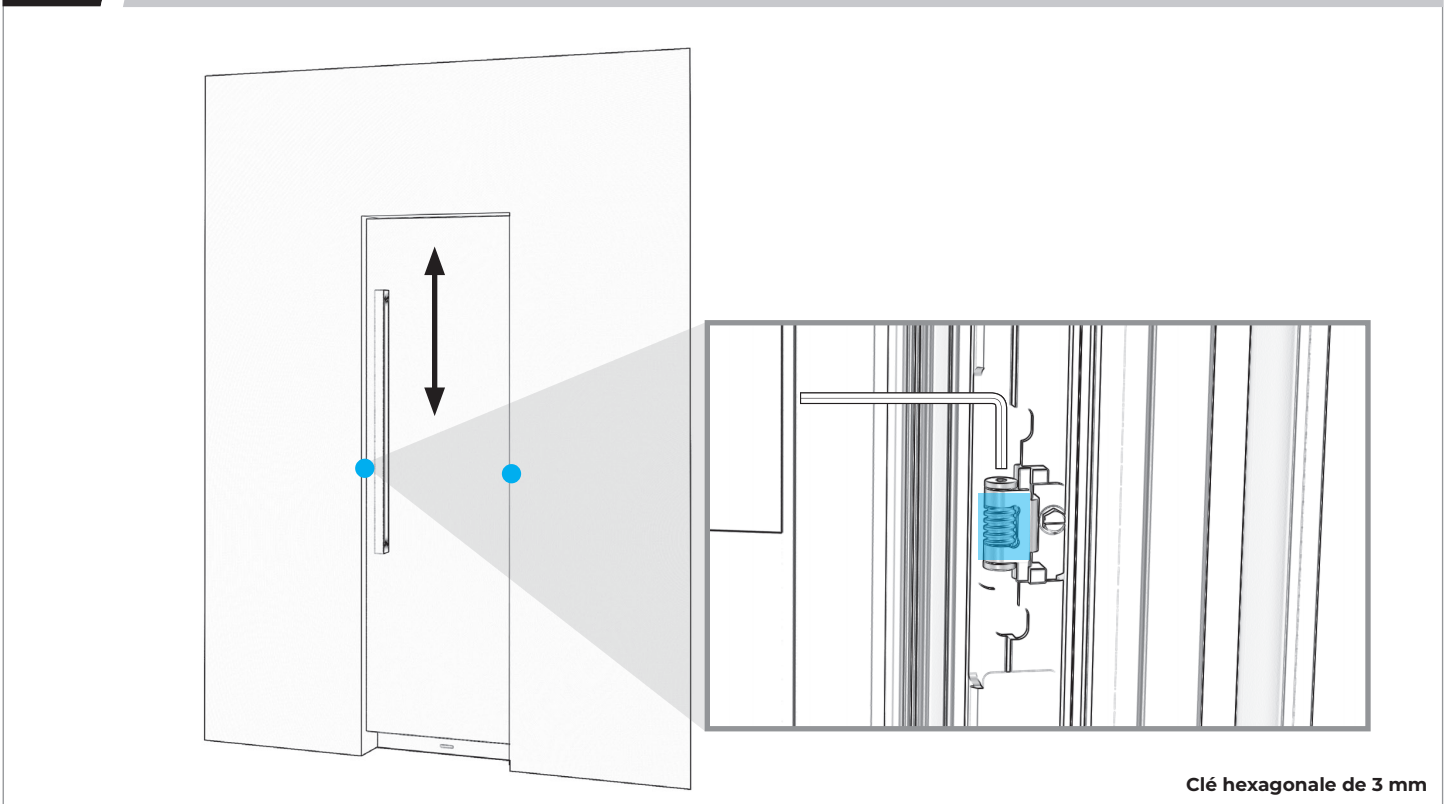
10.5

DESSERRER SIX VIS D'AJUSTEMENT PAR CÔTÉ.



10.6

RÉGLER LA HAUTEUR DU PANNEAU DE PORTE.



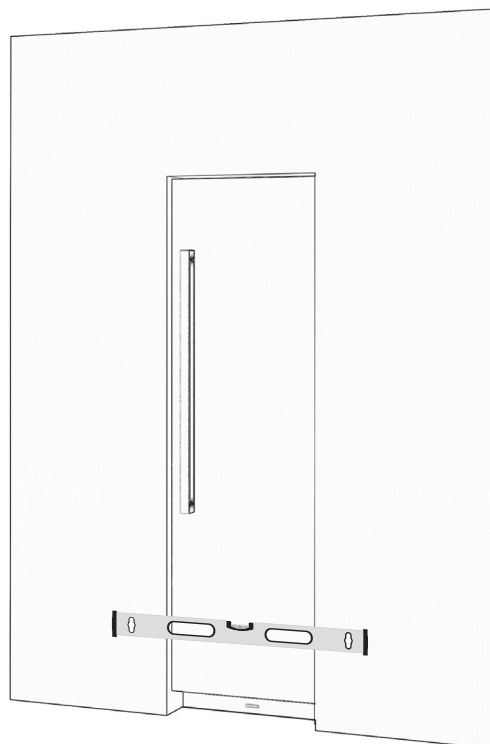
Clé hexagonale de 3 mm

10.7 AJUSTER LA PROFONDEUR DU PANNEAU DE PORTE.



Clé hexagonale de 3 mm

10.8 VÉRIFIER QUE LE PANNEAU DE PORTE EST DE NIVEAU AVEC LES MEUBLES.

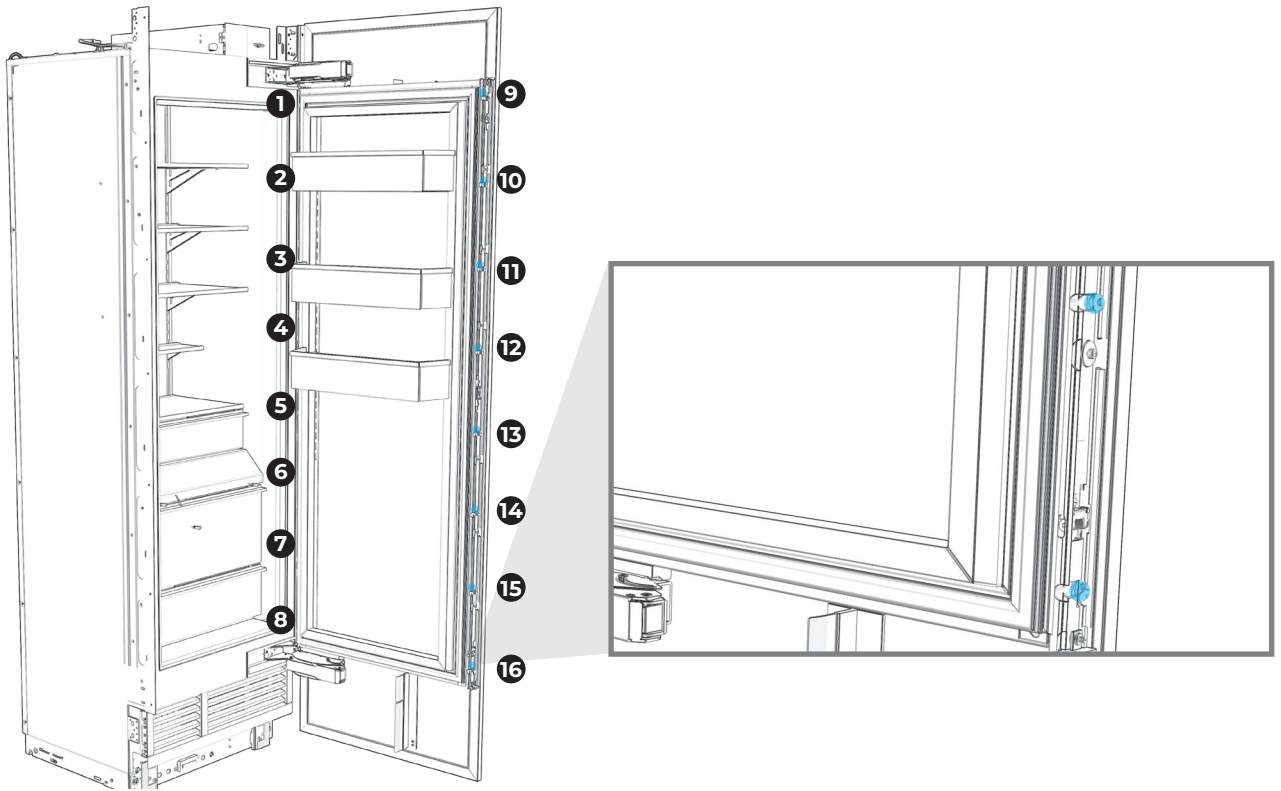


10

SUSPENSION ET AJUSTEMENT DU PANNEAU

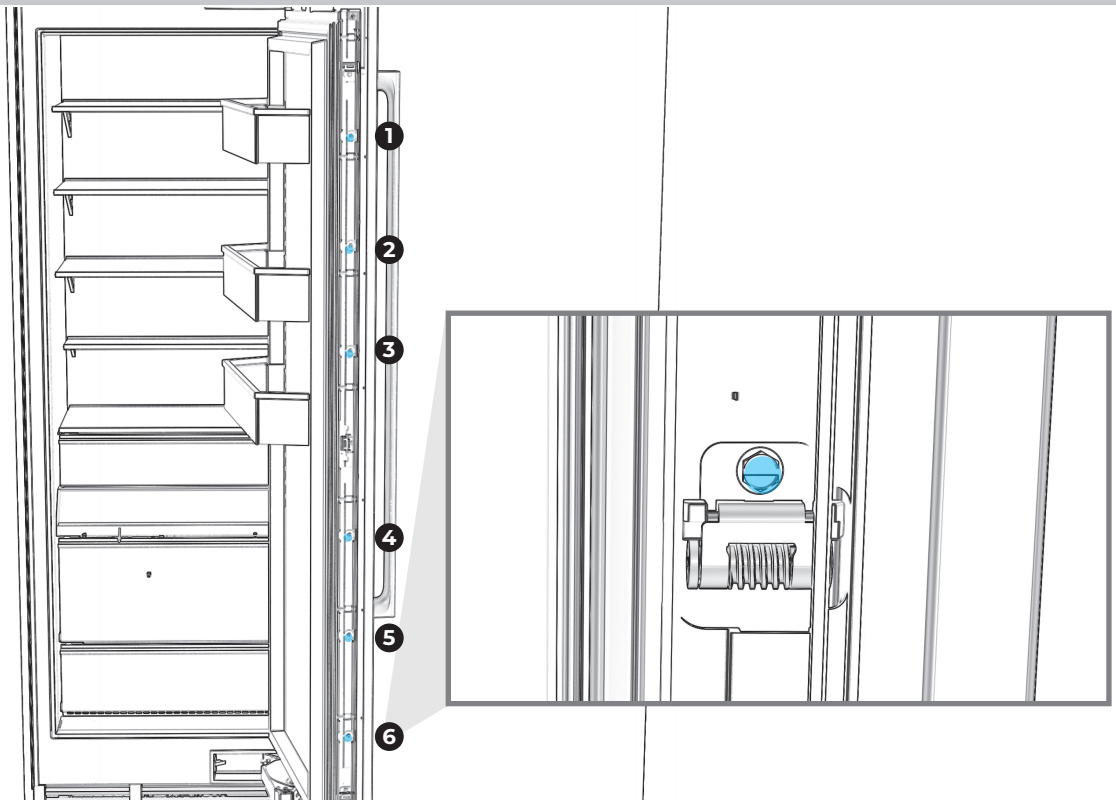
10.9

INSÉRER ET SERRER LES 16 VIS.



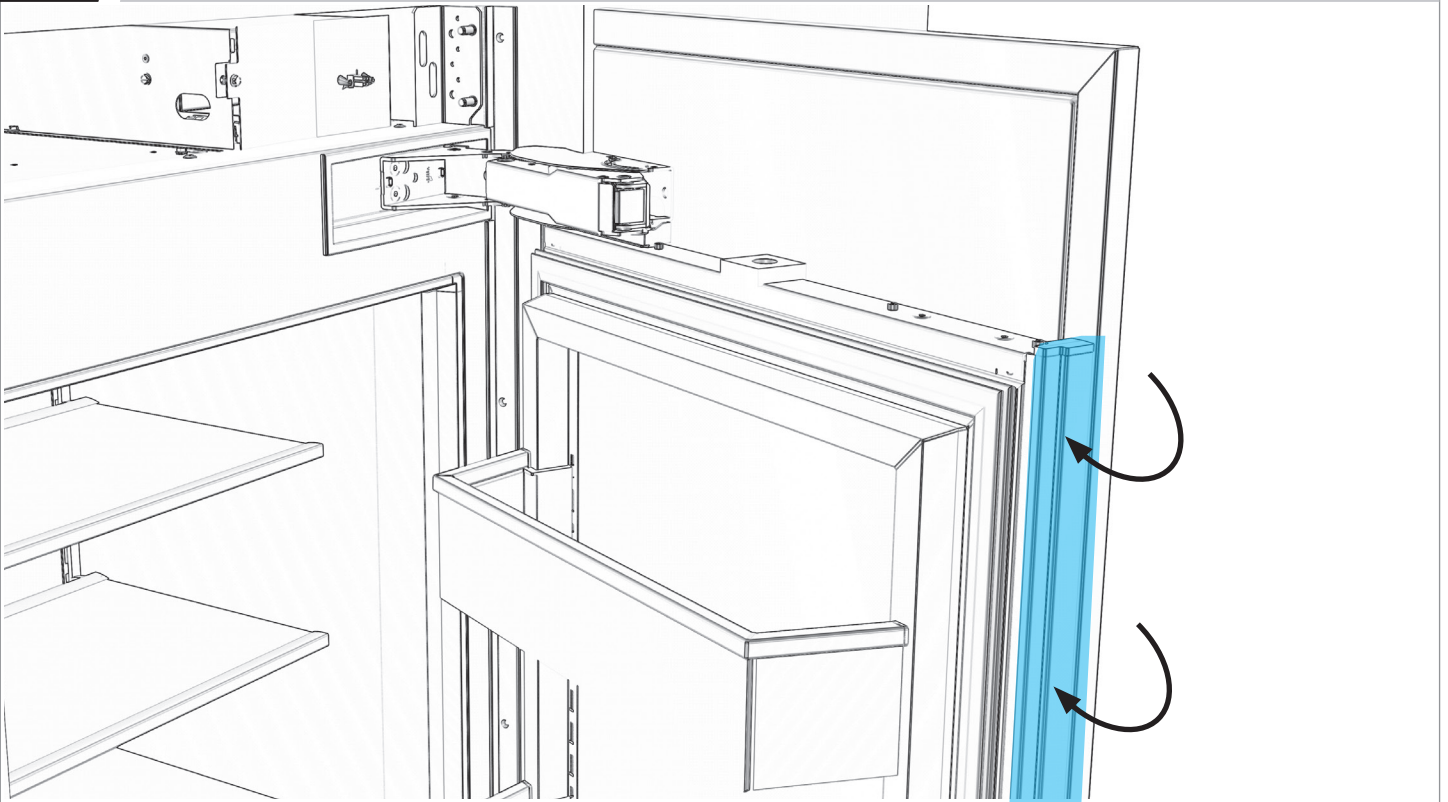
10.10

BIEN SERRER SIX VIS D'AJUSTEMENT PAR CÔTÉ.



10.11

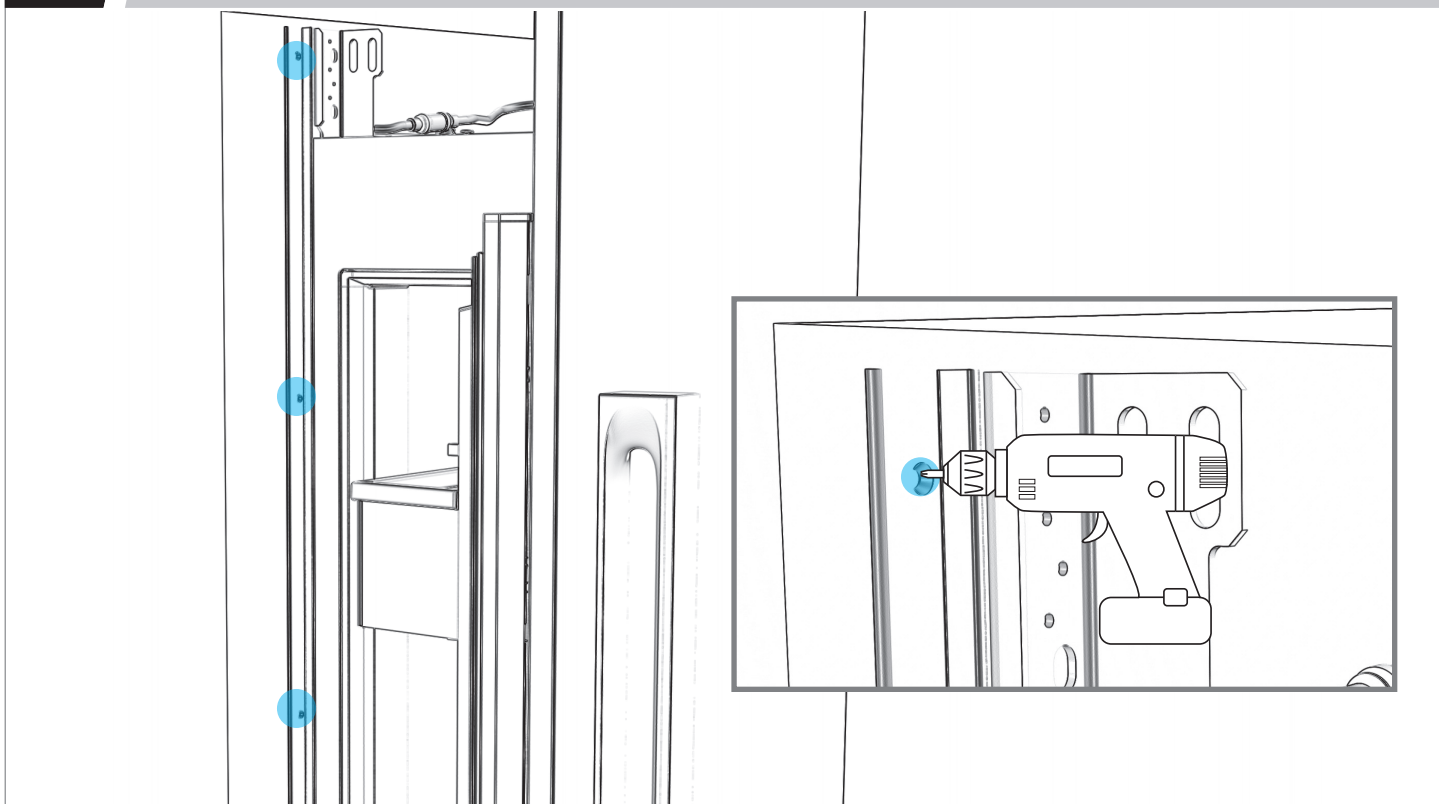
RÉINSTALLER LES GARNITURES DE SUPPORT.



TERMINER
L'INSTALLATION

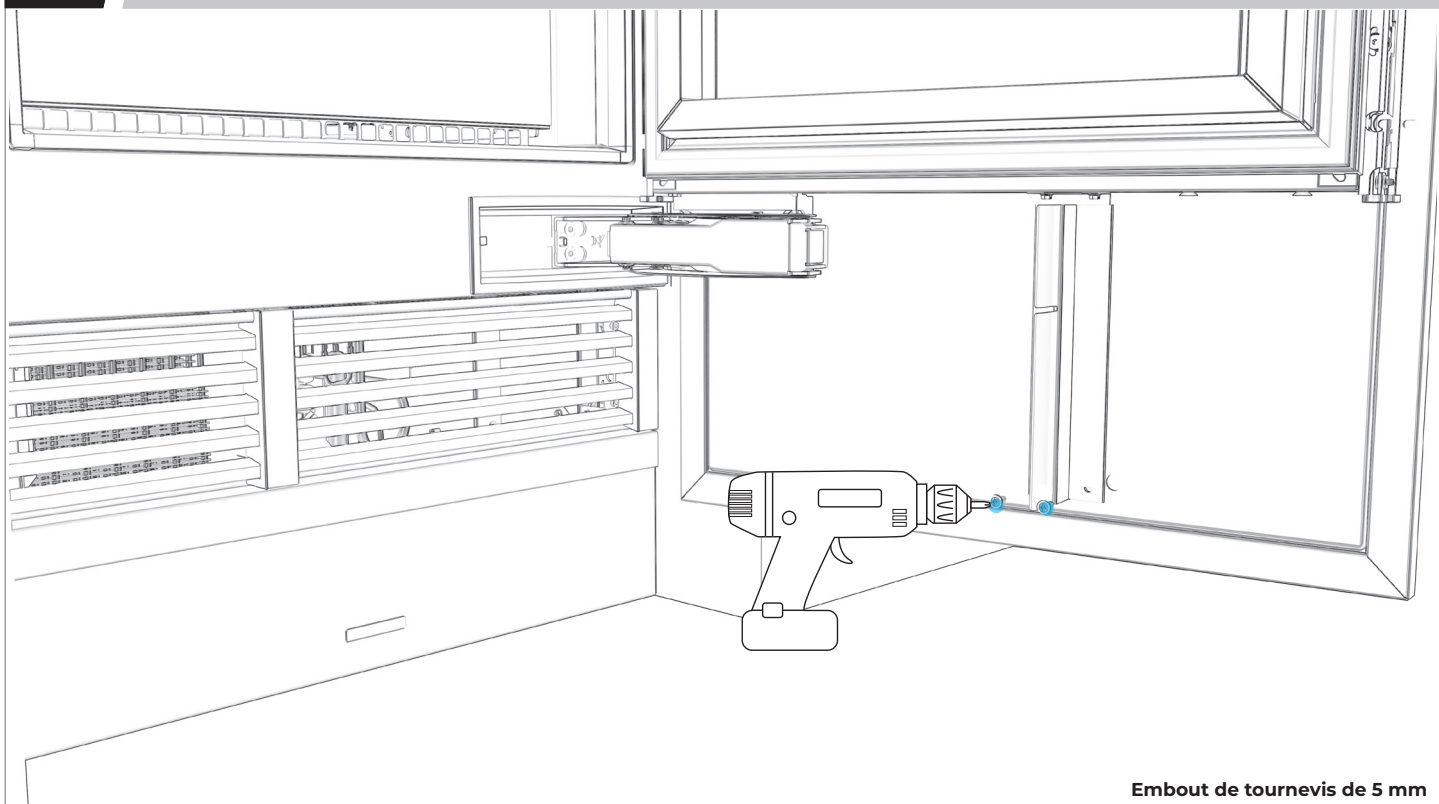
11.1

TIRER SUR LES GARNITURES DE CÔTÉ POUR QU'ELLES SOIENT BIEN SERRÉES.



11.2

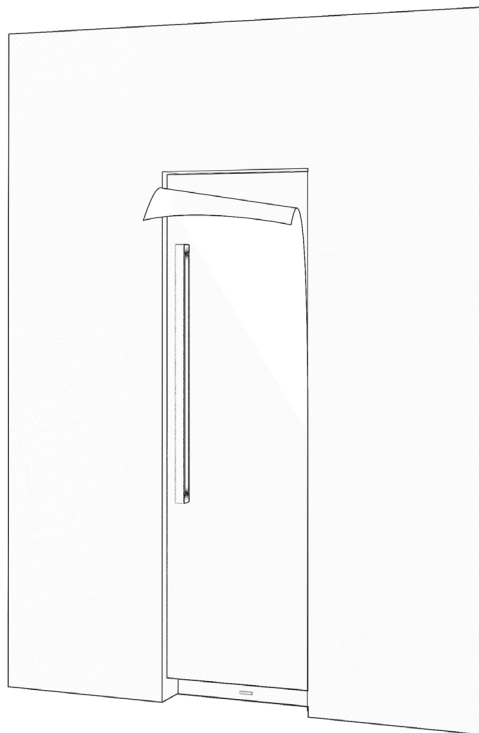
FIXER LE SÉPARATEUR D'AIR AU PANNEAU DE PORTE.



Embout de tournevis de 5 mm

11.3

11.3 RETIRER LE FILM.



AVANT LA VÉRIFICATION FINALE, LIRE LES AVERTISSEMENTS.

⚠ AVERTISSEMENT



Risque de choc électrique

Brancher sur une prise à 3 alvéoles reliée à la terre.

Ne pas enlever la broche de liaison à la terre.

Ne pas utiliser un adaptateur.

Ne pas utiliser un câble de rallonge.

Le non-respect de ces instructions peut causer un décès, un incendie ou un choc électrique.

VÉRIFICATION FINALE

- Il ne reste plus d'emballage dans la maison du client
- Le réfrigérateur intégré en colonne est branché, alimenté et fonctionne à son rendement cible
- L'appareil est d'aplomb
- Les panneaux sont alignés et ont été vérifiés de nouveau après 20 minutes de fonctionnement
- Le tuyau d'entrée d'eau est raccordé correctement, il n'y a pas de fuite
- Le filtre à eau est installé (ne s'applique pas s'il y a un système d'osmose inverse)
- Le distributeur et la machine à glaçons fonctionnent
- Tout problème en lien avec l'installation ou les pièces a été signalé à l'Epicenter de JennAir

EXPLICATIONS AU CLIENT

Si le client est présent, lui remettre le guide d'utilisation. Expliquer au client comment :

- Fonctionne le tableau de commande
- Configurer l'application et le Wi-Fi
- Jeter les premières quantités de glaçons produites
- Remplacer le filtre à eau
- Enregistrer son appareil
- Comment communiquer avec l'Epicenter JennAir à partir du jennair.com ou en composant le 1 800 JENNAIR (536-6247)

ANNEXE

RENSEIGNEMENTS SUPPLÉMENTAIRES SUR LES CALES

CONNAÎTRE L'ÉPAISSEUR DES CALES

1. Mesurer et inscrire la distance entre les empreintes des cales supérieures gauche et droite. Inscrive cette mesure ci-dessous à « A ».

A = _____

2. Utiliser le tableau suivant pour trouver la valeur de B pour votre largeur de modèle.
Soustraire B de A pour trouver C :

$$\frac{\quad}{A} - \frac{\quad}{B} = \frac{\quad}{C}$$

Largeur du modèle	B
18 po	17 3/4 po (45,1 cm)
24 po	23 3/4 po (60,3 cm)
30 po	29 3/4 po (75,6 cm)
36 po	35 3/4 po (90,8 cm)

3. Diviser C par 2 pour obtenir l'épaisseur requise pour les cales supérieures :

$$\frac{\quad}{C} / \frac{2}{\quad} = \frac{\quad}{\text{Épaisseur}}$$

Créer des cales de la bonne épaisseur en empilant une combinaison des cales fournies, au besoin.

ANNEXE

RENSEIGNEMENTS SUPPLÉMENTAIRES SUR LES CALES

CONNAÎTRE L'ÉPAISSEUR DES CALES INFÉRIEURES

1. Mesurer et inscrire la distance entre les empreintes des cales inférieures gauche et droite. Inscrire cette mesure ci-dessous à « D ».

D = _____

2. Utiliser le tableau suivant pour trouver la valeur de E pour votre largeur de modèle.
Soustraire E de D pour trouver F.

$$\frac{\text{D}}{\text{D}} - \frac{\text{E}}{\text{E}} = \frac{\text{F}}{\text{F}}$$

Largeur du modèle	E
18 po	17 1/2 po (44,5 cm)
24 po	23 7/16 po (59,5 cm)
30 po	29 7/16 po (74,8 cm)
36 po	35 7/16 po (90 cm)

3. Diviser F par 2 pour obtenir l'épaisseur requise pour les cales supérieures :

$$\frac{\text{F}}{\text{F}} / \frac{2}{2} = \frac{\text{Épaisseur}}{\text{Épaisseur}}$$

Créer des cales de la bonne épaisseur en empilant une combinaison des cales fournies, au besoin.

NOTES

NOTES

NOTES

NOTES

