

JENNAIR® MICROWAVE DRAWER

FOUR À MICRO-ONDES ENCASTRÉ JENNAIR®

Use and Care Guide

For questions about features, operation/performance, parts, accessories, or service in the U.S.A., call **1-800-JENNAIR (1-800-536-6247)** or visit our website at **www.jennair.com**.
In Canada, call **1-800-JENNAIR (1-800-536-6247)** or visit our website at **www.jennair.ca**.

Guide d'utilisation et d'entretien

Pour des questions à propos des caractéristiques, du fonctionnement/rendement, des pièces, accessoires ou dépannage, composer le **1-800-JENNAIR (1-800-536-6247)** ou visitez notre site web à **www.jennair.com**.
Au Canada, composer le **1-800-JENNAIR (1-800-536-6247)** ou visitez notre site web à **www.jennair.ca**.



JENNAIR®

W11101478C
TINSKB228MRR0

TABLE OF CONTENTS

MICROWAVE DRAWER SAFETY	3
Precautions to Avoid Possible Exposure to Excessive Microwave Energy	4
Electrical Requirements	5
PARTS AND FEATURES	5
MICROWAVE DRAWER CONTROLS	6
Display	6
Standby Mode.....	6
Before First Use	6
Clock	6
Start.....	6
Add 1 Min	6
Stop/Clear	6
Open/Close	6
Timer.....	6
Control Lock.....	6
Setup	6
Tones.....	7
Demo Mode.....	7
Help	7
MICROWAVE DRAWER USE	7
Food Characteristics.....	7
Cooking Guidelines.....	8
Cookware and Dinnerware	8
Aluminum Foil and Metal	8
Microwave Cooking Power.....	9
Manual Cooking.....	9
Cooking in Stages.....	9
Auto Start	9
Doneness Adjustment.....	10
Reheat (non-sensor).....	10
Beverage Center	10
Defrost.....	10
Keep Warm.....	11
Melt/Soften/Warm.....	11
Sensor Cooking Information	12
Sensor Reheat.....	12
Sensor Popcorn	12
Sensor Cook.....	13
MICROWAVE DRAWER CARE	14
General Cleaning.....	14
TROUBLESHOOTING	15
ASSISTANCE OR SERVICE	16
In the U.S.A.	16
In Canada.....	16
WARRANTY	17

TABLE DES MATIÈRES

SÉCURITÉ DU TIROIR À MICRO-ONDES	18
Précautions contre le risque d'exposition excessive à l'énergie des micro-ondes	19
Spécifications électriques.....	20
PIÈCES ET CARACTÉRISTIQUES	21
COMMANDES DU TIROIR À MICRO-ONDES	22
Affichage	22
Mode veille	22
Avant la première utilisation.....	22
Horloge.....	22
Mise en marche.....	22
Ajouter 1 minute	22
Arrêt/effacement	22
Ouvrir/fermer	22
Minuterie.....	22
Verrouillage des commandes	23
Réglage	23
Signaux sonores.....	23
Mode de démonstration.....	23
Aide	23
UTILISATION DU TIROIR À MICRO-ONDES	23
Caractéristiques des aliments.....	24
Guide de cuisson	24
Ustensiles de cuisson et vaisselle	24
Papier d'aluminium et métal	25
Puissance de cuisson aux micro-ondes.....	25
Cuisson manuelle.....	26
Cuisson par étapes	26
Mise en marche automatique	26
Réglage du degré de cuisson	26
Réchauffage (sans détection)	26
Centre de boissons	27
Décongeler	27
Maintien au chaud.....	28
Faire fondre/ramollir/faire chauffer.....	28
Renseignement sur la cuisson par détection	29
Réchauffage avec détection	29
Maïs éclaté avec détection	29
Cuisson par détection.....	30
ENTRETIEN DU TIROIR À MICRO-ONDES	31
Nettoyage général.....	31
DÉPANNAGE	32
ASSISTANCE OU DÉPANNAGE	33
Aux É.-U.	33
Au Canada.....	33
GARANTIE	34

MICROWAVE DRAWER SAFETY

Your safety and the safety of others are very important.

We have provided many important safety messages in this manual and on your appliance. Always read and obey all safety messages.



This is the safety alert symbol.

This symbol alerts you to potential hazards that can kill or hurt you and others.

All safety messages will follow the safety alert symbol and either the word “DANGER” or “WARNING.”

These words mean:

⚠ DANGER

You can be killed or seriously injured if you don't immediately follow instructions.

⚠ WARNING

You can be killed or seriously injured if you don't follow instructions.

All safety messages will tell you what the potential hazard is, tell you how to reduce the chance of injury, and tell you what can happen if the instructions are not followed.

IMPORTANT SAFETY INSTRUCTIONS

When using electrical appliances basic safety precautions should be followed, including the following:

WARNING: To reduce the risk of burns, electric shock, fire, injury to persons, or exposure to excessive microwave energy:

- Read all instructions before using the microwave oven.
- Read and follow the specific “PRECAUTIONS TO AVOID POSSIBLE EXPOSURE TO EXCESSIVE MICROWAVE ENERGY” found on page 4.
- The microwave oven must be grounded. Connect only to properly grounded outlet. See “GROUNDING INSTRUCTIONS” found on page 5 and in the provided Installation Instructions.
- Install or locate the microwave oven only in accordance with the provided Installation Instructions.
- Some products such as whole eggs in the shell and sealed containers – for example, closed glass jars – are able to explode and should not be heated in the microwave oven.
- Use the microwave oven only for its intended use as described in this manual. Do not use corrosive chemicals or vapors in the microwave oven. This type of oven is specifically designed to heat, cook, or dry food. It is not designed for industrial or laboratory use.
- As with any appliance, close supervision is necessary when used by children.
- Do not operate the microwave oven if it has a damaged cord or plug, if it is not working properly, or if it has been damaged or dropped.
- The microwave oven should be serviced only by qualified service personnel. Call an authorized service company for examination, repair, or adjustment.
- See door surface cleaning instructions in the “Microwave Drawer Care” section.
- To reduce the risk of fire in the oven cavity:
 - Do not overcook food. Carefully attend the microwave oven when paper, plastic, or other combustible materials are placed inside the oven to facilitate cooking.
 - Remove wire twist-ties from paper or plastic bags before placing bags in oven.
 - If materials inside the oven ignite, keep oven door closed, turn oven off, and disconnect the power cord, or shut off power at the fuse or circuit breaker panel.
 - Do not use the cavity for storage purposes. Do not leave paper products, cooking utensils, or food in the cavity when not in use.
- Liquids, such as water, coffee, or tea are able to be overheated beyond the boiling point without appearing to be boiling. Visible bubbling or boiling when the container is removed from the microwave oven is not always present. **THIS COULD RESULT IN VERY HOT LIQUIDS SUDDENLY BOILING OVER WHEN THE CONTAINER IS DISTURBED OR A SPOON OR OTHER UTENSIL IS INSERTED INTO THE LIQUID.**

To reduce the risk of injury to persons:

 - Do not overheat the liquid.
 - Stir the liquid both before and halfway through heating it.
 - Do not use straight-sided containers with narrow necks.
 - After heating, allow the container to stand in the microwave oven for a short time before removing the container.
 - Use extreme care when inserting a spoon or other utensil into the container.
- Oversized foods or oversized metal utensils should not be inserted in the microwave oven as they may create a fire or risk of electric shock.
- Do not clean with metal scouring pads. Pieces can burn off the pad and touch electrical parts involving a risk of electric shock.

SAVE THESE INSTRUCTIONS

IMPORTANT SAFETY INSTRUCTIONS

- Do not store any materials, other than manufacturer's recommended accessories, in this oven when not in use.
- Do not store anything directly on top of the microwave oven when the microwave oven is in operation.
- Do not cover or block any openings on the microwave oven.
- Do not store this microwave oven outdoors. Do not use the microwave oven near water - for example, near a kitchen sink, in a wet basement, or near a swimming pool, or similar locations.
- Do not immerse cord or plug in water.
- Keep cord away from heated surfaces.
- Do not let cord hang over edge of table or counter.
- Do not mount over a sink.
- Do not cover any part of the oven with metal foil. This will cause overheating of the oven.

SAVE THESE INSTRUCTIONS

PRECAUTIONS TO AVOID POSSIBLE EXPOSURE TO EXCESSIVE MICROWAVE ENERGY

- (a) Do not attempt to operate this oven with the door open since open-door operation can result in harmful exposure to microwave energy. It is important not to defeat or tamper with the safety interlocks.
- (b) Do not place any object between the oven front face and the door or allow soil or cleaner residue to accumulate on sealing surfaces.
- (c) Do not operate the oven if it is damaged. It is particularly important that the oven door close properly and that there is no damage to the:
 - (1) Door (bent),
 - (2) Hinges and latches (broken or loosened),
 - (3) Door seals and sealing surfaces.
- (d) The oven should not be adjusted or repaired by anyone except properly qualified service personnel.

Electrical Requirements

⚠ WARNING



Electrical Shock Hazard

- Plug into a grounded 3 prong outlet.**
- Do not remove ground prong.**
- Do not use an adapter.**
- Do not use an extension cord.**
- Failure to follow these instructions can result in death, fire, or electrical shock.**

Observe all governing codes and ordinances.

Required:

- A 120 V, 60 Hz, AC-only, 15 A or 20 A electrical supply with a fuse or circuit breaker.

Recommended:

- A time-delay fuse or time-delay circuit breaker
- A separate circuit serving only this microwave drawer

GROUNDING INSTRUCTIONS

■ **For all cord connected appliances:**

The microwave oven must be grounded. In the event of an electrical short circuit, grounding reduces the risk of electric shock by providing an escape wire for the electric current. The microwave oven is equipped with a cord having a grounding wire with a grounding plug. The plug must be plugged into an outlet that is properly installed and grounded.

WARNING: Improper use of the grounding plug can result in a risk of electric shock. Consult a qualified electrician or serviceman if the grounding instructions are not completely understood, or if doubt exists as to whether the microwave oven is properly grounded.

Do not use an extension cord. If the power supply cord is too short, have a qualified electrician or serviceman install an outlet near the microwave oven. A short power supply cord is provided to reduce the risks resulting from becoming entangled in or tripping over a longer cord.

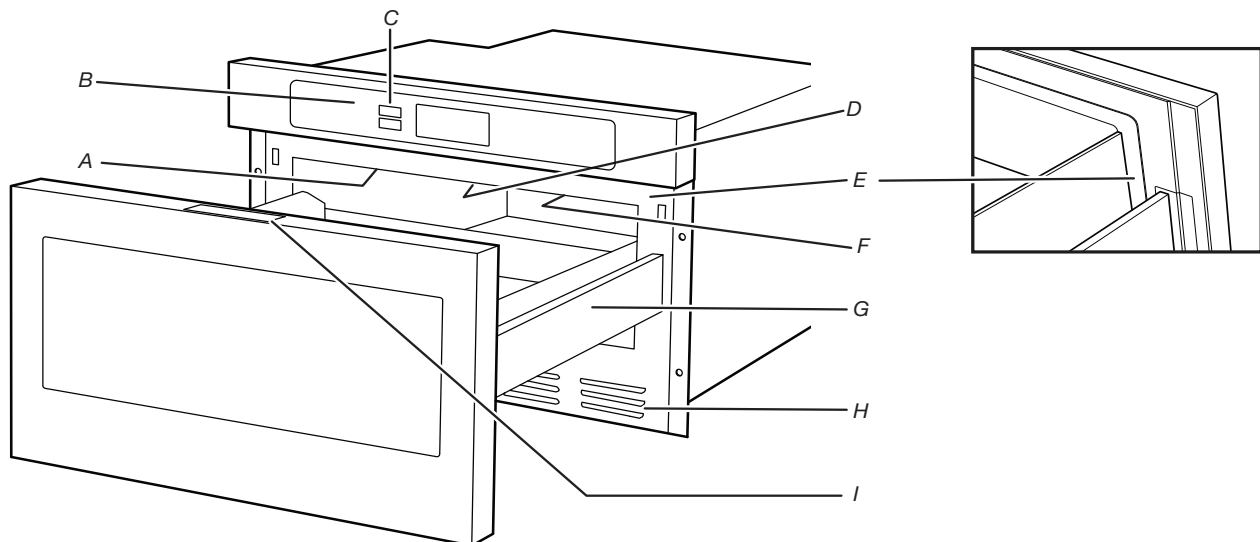
SAVE THESE INSTRUCTIONS

This device complies with Part 18 of the FCC Rules.

This device complies with Industry Canada ICES-001.

PARTS AND FEATURES

This manual may cover several different models. The model you have purchased may have some or all of the features shown here. The appearance of your particular model may differ slightly from the illustrations in this manual.



- A. Microwave inlet cover — **DO NOT REMOVE**
- B. Control Panel
- C. OPEN and CLOSE controls
- D. Name plate: open the microwave drawer fully. The label is beyond the back wall of the microwave cavity facing up from the flat surface.

- E. Microwave drawer sealing surfaces
- F. Microwave drawer light
- G. Microwave drawer guides
- H. Vent
- I. Cooking Guide label

MICROWAVE DRAWER CONTROLS

This manual may cover several different models. The model you have purchased may have some or all of the features shown here. The appearance of your particular model may differ slightly from the illustrations in this manual.



Display

When the microwave drawer is in use, the display shows cooking power, quantities, weights, and/or prompts. When it is not in use, the display shows the time of day.

Standby Mode

This microwave will go into standby mode after a period of inactivity. The backlight of the display will automatically dim after 3 minutes if the unit has not been in operation. If the display is in standby mode, simply touch the control panel or open/close the door to return the backlight to maximum brightness.

Before First Use

When the microwave drawer is first plugged in, the message “Enjoy your microwave touch clear and touch clock” will scroll in the display. You will need to clear the message to set the clock.

Clear display:

1. Touch Stop/Clear.

If the prompt “Enjoy your microwave touch clear and touch clock” appears at any other time, a power failure has occurred. Clear the display, and reset the clock.

NOTE: The microwave drawer can be programmed with the drawer open except when using Start/Add 1 Min.

Clock

This is a standard 12-hour clock (12:00-11:59).

To Set Clock:

1. Touch Timer/clock, then number pad 2.
2. Enter time in hours and minutes.
3. Touch Timer/clock again to complete the setting.

Start

The Start control (Start/Add 1 Min) begins any cooking function. If cooking is interrupted, touching Start will resume the preset non-sensor function.

NOTE: To avoid unintentional operation of the microwave drawer, the Start control will work only if a cooking cycle has ended, the drawer has been closed or Stop has been touched within the last 3 minutes.

Add 1 Min

The Add 1 Min control (Start/Add 1 Min) starts the microwave drawer at 100% power for 1 minute. Each additional touch of the control will Add 1 Minute of cook time.

Cook time may be added in 1-minute increments to a cooking cycle at the current power level by touching Add 1 Min during the cycle. The Add 1 Min function cannot be used during Reheat, Defrost, or any sensor cycles.

NOTE: To avoid unintentional operation of the microwave drawer, the Add 1 Min control will work only if a cooking cycle has ended, the drawer has been closed, or Stop has been touched within the past 3 minutes.

Stop/Clear

The Stop control (Stop/Clear) clears any incorrect command, pauses cooking, and cancels most functions with one touch of the control. Touch Stop twice to cancel a running cooking cycle. The microwave drawer will also turn off when the drawer is opened. Close the drawer, and touch Start to resume the non-sensor cycle.

Open/Close

Touch the Open or Close pad on the control panel to open or close the drawer.

When opening or closing the drawer quickly, food in the microwave drawer may be spilled. To clean, refer to the “General Cleaning” section in “Microwave Drawer Care”.

Timer

The Timer can be set in minutes and seconds, and counts down the set time.

NOTE: The Timer does not start or stop the microwave drawer.

To Set Timer:

1. Touch Timer/clock, then number pad 1.
 2. Enter time in minutes and seconds.
 3. Touch Timer/clock again to start Timer.
- Timer may be canceled at any time by touching Stop/Clear.

Control Lock

The Control Lock shuts down the control panel pads to avoid unintended operation of the microwave drawer. When the control is locked, only the Control Lock control will function.

To Lock/Unlock Control: Touch and hold Control Lock for 3 seconds. The display will indicate the lock status.

Setup

The Setup control (Setup/Custom Help) provides access to the following settings:

- Tones: Sound off or on. See the “Tones” section.
- Reminder tones: Reminder signal off or on. See the “Tones” section.
- Auto start: See the “Auto Start” section.
- Demo Mode: Demo Mode on or off. See the “Demo Mode” section.

Tones

End of Cycle Tones

Tones sound at the end of any cooking cycle unless turned off.

To Turn Off/On Sound: Touch Setup twice, then touch Start.

Reminder Tones

Tones sound every 10 seconds for 1 minute, then every three minutes up to 1 hour. Touch Stop to stop the tones.

To Turn Off/On Reminder: Touch Setup three times, then touch Start.

Demo Mode

The Demo Mode is ideal for learning how to use the microwave drawer. When Demo Mode is active, functions can be entered, with real displays and tones, without actually turning on the microwave generator (magnetron). While functions are operating in Demo Mode, the light comes on, and the display counts down the time quickly.

To activate Demo Mode: Touch Setup five times, then touch and hold Start for 3 seconds.

To deactivate Demo Mode: Touch Setup five times, then touch Start.

Help

Tips are available for all automatic functions. To view tips, touch Setup/Custom Help while "HELP" is lit in the display.

MICROWAVE DRAWER USE

A magnetron in the microwave drawer produces microwaves which reflect off the metal floor, walls, and ceiling and pass through the turntable and appropriate cookware to the food. Microwaves are attracted to and absorbed by fat, sugar, and water molecules in the food, causing them to move, producing friction and heat, which cooks the food.

- To avoid damage to the microwave drawer, do not lean on or allow children to swing on the microwave drawer door.
- To avoid damage to the microwave drawer, do not operate microwave drawer when it is empty.
- Clothes, flowers, fruit, herbs, wood, gourds, paper, including brown paper bags and newspaper, should not be dried in microwave drawer.
- The vent under the drawer must not be blocked. During microwaving, steam may come out of the right side of the vent.
- It is normal for the exterior of the microwave drawer to be warm to the touch when cooking or reheating.
- Paraffin wax will not melt in the microwave drawer because it does not absorb microwaves.
- Use oven mitts or pot holders when removing containers from microwave drawer.
- Keep the microwave inlet cover clean: food residue can cause arcing and/or fires (see the "Microwave Drawer Cavity" section in "Microwave Drawer Care").
- Baby bottles and baby food jars should not be heated in microwave drawer. Transfer baby food to a small microwave-safe dish and heat, stirring often.
- Pierce skins of potatoes, apples, squash, hot dogs, and sausages so that steam escapes while cooking.
- Do not overcook potatoes. At the end of the recommended cook time, potatoes should be slightly firm. Let potatoes stand for 5 minutes to finish cooking.
- Do not cook or reheat whole eggs inside the shell. Steam buildup in whole eggs may cause them to burst, requiring significant cleanup of microwave drawer. Cover poached eggs and allow a standing time.

Food Characteristics

When microwave cooking, the amount, size and shape, starting temperature, composition and density of the food affect cooking results.

Amount of Food

The more food heated at once, the longer the cook time needed. Check for doneness and add small increments of time if necessary.

Size and Shape

Smaller pieces of food will cook more quickly than larger pieces, and uniformly shaped foods cook more evenly than irregularly shaped food.

Starting Temperature

Room temperature foods will heat faster than refrigerated foods, and refrigerated foods will heat faster than frozen foods.

Composition and Density

Foods high in fat and sugar will reach a higher temperature, and will heat faster than other foods. Heavy, dense foods, such as meat and potatoes, require a longer cooking time than the same size of a light, porous food, such as cake.

Cooking Guidelines

Cooking Time

Monitor the cooking time. Cook for the shortest amount of time indicated and add more as needed. Food severely overcooked can smoke or ignite.

To test for doneness, insert a thermometer in a thick or dense area away from fat or bone. Do not leave the thermometer in the food during cooking, unless it is approved for microwave use.

Use the following chart when checking for doneness:

FOOD	RECOMMENDED TEMPERATURE
Fish	145°F (63°C)
Pork	160°F (71°C)
Ground beef/veal/lamb	
Egg dishes	
Leftovers	165°F (74°C)
Refrigerated deli and carry-out "fresh" food	
Whole, pieces, and ground turkey/chicken/duck	

Covering

Covering food helps retain moisture, shorten cook time, and reduce spattering. Use the lid supplied with cookware. If a lid is not available, wax paper, paper towels, or plastic wrap approved for microwave drawers may be used. Plastic wrap should be turned back at one corner to provide an opening to vent steam. Condensation on the door and cavity surfaces is normal during heavy cooking.

Stirring and Turning

Stirring and turning redistribute heat evenly to avoid overcooking the outer edges of food. Stir from outside to center. If possible, turn food over from bottom to top.

Arranging

If heating irregularly shaped or different sized foods, arrange the thinner parts and smaller sized items toward the center. If cooking several items of the same size and shape, place them in a ring pattern, leaving the center of the ring empty.

Piercing

Before heating, use a fork or small knife to pierce or prick foods that have a skin or membrane, such as potatoes, egg yolks, chicken livers, hot dogs, and sausage. Prick in several places to allow steam to vent.

Shielding

Use small, flat pieces of aluminum foil to shield the thin pieces of irregularly shaped foods, bones and foods such as chicken wings, leg tips and fish tail. See the "Aluminum Foil and Metal" section first.

Standing Time

Food will continue to cook by the natural conduction of heat even after the microwave cooking cycle ends. The length of standing time depends on the volume and density of the food.

Cookware and Dinnerware

Cookware and dinnerware must fit on the turntable. Always use oven mitts or pot holders when handling because any dish may become hot from heat transferred from the food. Do not use cookware and dinnerware with gold or silver trim. Use the following chart as a guide, then test before using.

MATERIAL	RECOMMENDATIONS
Aluminum Foil, Metal	See "Aluminum Foil and Metal" section.
Browning Dish	Bottom must be at least 3/16" (5 mm) above the turntable. Follow manufacturer's recommendations.
Ceramic Glass, Glass	Acceptable for use.
China, Earthenware	Follow manufacturer's recommendations.
Melamine	Follow manufacturer's recommendations.
Paper: Towels, Dinnerware, Napkins	Use nonrecycled and those approved by the manufacturer for microwave drawer use.
Plastic: Wraps, Bags, Covers, Dinnerware, Containers	Use those approved by the manufacturer for microwave drawer use.
Pottery and Clay	Follow manufacturer's recommendations.
Silicone Bakeware	Follow manufacturer's recommendations.
Straw, Wicker, Wooden Containers	Do not use in microwave drawer.
Wax Paper	Acceptable for use.

To Test Cookware or Dinnerware for Microwave Use:

1. Place cookware or dinnerware in microwave drawer with 1 cup (250 mL) of water beside it.
2. Cook at 100% cooking power for 1 minute.

Do not use cookware or dinnerware if it becomes hot and the water stays cool.

Aluminum Foil and Metal

Always use oven mitts or pot holders when removing dishes from the microwave drawer.

Aluminum foil and some metal can be used in the microwave drawer. If not used properly, arcing (a blue flash of light) can occur and cause damage to the microwave drawer.

When using aluminum foil, only use small, flat pieces placed smoothly on the food. Foil should not come closer than one inch to any surface of the microwave drawer.

OK for Use

Racks and bakeware supplied with the microwave drawer (on some models), aluminum foil for shielding, and approved meat thermometers may be used with the following guidelines:

- To avoid damage to the microwave drawer, do not allow aluminum foil or metal to touch the inside cavity walls, ceiling, or floor.
- To avoid damage to the microwave drawer, do not allow contact with another metal object during microwave cooking.

Do Not Use

- Metal cookware and bakeware
- Gold, silver, and pewter
- Nonapproved meat thermometers
- Skewers
- Twist ties
- Oil liners such as sandwich wrappers
- Staples
- Objects with gold or silver trim or a metallic glaze
- Non-heat-resistant glass
- Plastics that are not microwave safe, such as margarine tubs
- Recycled paper products and brown paper bags.

Microwave Cooking Power

Many recipes for microwave cooking specify which cooking power to use by percent, name, or number. For example, 70%=Medium-High. When using the microwave drawer at power levels below 100%, you may hear the magnetron cycling on and off: this is normal microwave operation.

Use the following chart as a general guide for the suggested cooking power of specific foods.

PERCENT/ NAME	POWER LEVEL PAD TOUCH	USE
100%, High (default setting)	Once	Quick-heating convenience of foods with high water content, such as soups, beverages and most vegetables.
90%	Twice	Cooking small tender pieces of meat, ground meat, poultry pieces, and fish fillets. Heating cream soups.
80%	Three times	Heating rice, pasta, or stirrable casseroles. Cooking and heating foods that need a cook power lower than high. For example, whole fish and meatloaf.
70%, Medium-High	Four times	Reheating a single serving of food.
60%	Five times	Cooking sensitive foods such as cheese and egg dishes, pudding, and custards. Cooking non-stirrable casseroles, such as lasagna.
50%, Medium	Six times	Cooking ham, whole poultry, and pot roasts. Simmering stews.
40%	Seven times	Melting chocolate. Heating bread, rolls, and pastries.
30%, Medium-Low, Defrost	Eight times	Defrosting bread, fish, meats, poultry, and precooked foods.
20%	Nine times	Softening butter, cheese, and ice cream.
10%, Low	Ten times	Taking chill out of fruit.
0%	Eleven times	Sensor operation; no cook power.

Manual Cooking

To Use:

1. Place food in the microwave drawer, and close the drawer.
2. Enter the cook time in minutes and seconds. If cooking with 100% power, skip Step 3.
3. Touch Power Level repeatedly to set the desired cooking power. See "Microwave Cooking Power".
4. Touch Start.
When the cycle ends, "END" will appear in the display, and the end-of-cycle tones will sound, followed by reminder tones.
5. Touch Stop or open the drawer to clear the display.

Cook time may be added in 1-minute increments during the cycle by touching Add 1 Min.

Cooking in Stages

The microwave drawer can be set to cook at different cooking powers for various lengths of time, up to four stages.

To Cook in Stages:

1. Place food in the microwave drawer, and close the drawer.
2. Enter the length of time to cook during the first stage.
3. Touch Power Level repeatedly to set the desired cooking power for the 1st stage. See "Microwave Cooking Power".
4. Repeat steps 2 and 3 for additional stages.
5. Touch Start.
When the cycle ends, "END" will appear in the display, and end-of-cycle tones will sound, followed by reminder tones.
6. Touch STOP or open the drawer to clear the display.

NOTES:

- Cook time may be added in 1-minute increments during the cycle by touching Add 1 Min.
- To see the cook power during operation, touch Power Level.
- Keep Warm can be added even if four stages have been set.

Auto Start

WARNING

Food Poisoning Hazard

Do not let food sit in oven more than one hour before or after cooking.

Doing so can result in food poisoning or sickness.

The Auto Start function allows you to program a cook cycle to start at a set time.

To Use Auto Start:

1. Place food in the microwave drawer, and close the drawer.
2. Touch Setup/Custom Help four times.
3. Touch Start.
4. Enter the cooking start time in hours and minutes.
5. Touch Timer/Clock.
6. Enter length of time to cook in minutes and seconds.
7. Touch Power Level repeatedly to set the desired cooking power. See the "Microwave Cooking Power" section.
8. Touch Start.
When the cycle ends, "END" will appear in the display, and end-of-cycle tones will sound, followed by reminder tones.
9. Touch Stop or open the drawer to clear the display.

Doneness Adjustment

Doneness may be adjusted for every cooking program except Keep Warm. During programming, touch Power Level after food and quantity selections are made. Touch Power Level once for "MORE", or twice for "LESS".

Reheat (non-sensor)

Times and cooking power have been preset for reheating specific food types. Use the following chart as a guide.

FOOD	NO.	QUANTITY/INSTRUCTIONS
Fresh Rolls/ Muffins	1	1-8 pieces, 2 oz (57 g) each*. Place on paper towel.
Frozen Rolls/ Muffins	2	1-8 pieces, 2 oz (57 g) each*. Place on paper towel.

*For smaller rolls, two rolls may be counted as one piece. For larger or refrigerated rolls, one roll may be counted as 2 pieces.

To Use Reheat:

1. Place food in the microwave drawer, and close the drawer.
2. Touch Reheat.
3. Select food item by entering its number (see chart and/or cooking guide label).
4. Enter quantity. Doneness may be adjusted at this time by touching Power Level.
5. Touch Start.
When the cycle ends, "END" will appear in the display, and end-of-cycle tones will sound, followed by reminder tones.
6. Touch Stop or open the drawer to clear the display.

Beverage Center

Beverage Center enables you to reheat coffee or tea to restore it to a more suitable drinking temperature, or to make instant coffee or tea.

FOOD	NO.	QUANTITY/INSTRUCTIONS
Reheat beverage	1	0.5-2 cups (125-500 mL). Choose cook time by touching number 1 for each 0.5 cup. For example, for 1 cup of coffee, you would touch 1 twice.
Hot water	2	1-6 cups (250-1500 mL). Use this setting for heating cold tap water to a temperature below the boiling point to make instant coffee or tea. Choose cook time by touching number 2 for each 1 cup of water. For example, 2 cups of water, you would touch 2 twice.

To Use Beverage Center:

1. Place container with beverage or water in the microwave drawer, and close the drawer.
2. Touch Beverage Center.
3. Touch 1 for reheating your cooled beverage, or 2 for heating water for coffee or tea.
4. Select quantity by re-touching 1 or 2 (depending on selection) until the correct quantity is reached.
Doneness may be adjusted at this time by touching Power Level.
5. Touch Start.

Defrost

The automatic defrost function can be used, or the microwave drawer can be manually set to defrost.

- Unwrap foods and remove lids (for example, from fruit juice containers) before defrosting.
- Shallow packages will defrost more quickly than deep blocks.
- Separate food pieces as soon as possible during or at the end of cycle for more even defrosting.
- When using plastic containers from the freezer, defrost only long enough to remove the food from the plastic in order to place it in a microwave-safe dish.
- Use small pieces of aluminum foil to shield parts of food such as chicken wings, leg tips and fish tails. See the "Aluminum Foil and Metal" section first.

The automatic defrost function should not be used for food left outside the freezer for more than 20 minutes and frozen ready-made food.

Times and cooking power have been preset for defrosting certain food types. Use the following chart as a guide.

FOOD	NO.	QUANTITY/INSTRUCTIONS
Ground meat	1	0.5-2.0 lbs (227-907 g). Remove wrap and place in microwave-safe baking dish. Do not cover.
Steaks/ Chops	2	0.5-3.0 lbs (227 g-1.4 kg). Remove wrap and place in microwave-safe baking dish. Do not cover.
Boneless poultry	3	0.5-2.0 lbs (227-907 g). Remove wrap and place in microwave-safe baking dish. Do not cover.
Bone-in poultry	4	0.5-3.0 lbs (227 g-1.4 kg). Remove wrap and place breast side up in microwave-safe baking dish. Do not cover.
Roast	5	2.0-4.0 lbs (907 g-1.8 kg). Remove wrap and place fat side down in microwave-safe baking dish. After each stage, turn roast over and shield the warm portions with aluminum foil. Let stand, covered, for 30 to 60 minutes.
Casserole/ Soup	6	1-6 cups (250 mL-1.5 L). Remove wrap and place in microwave-safe baking dish. Do not cover.

To Use the Defrost Control:

1. Place food, uncovered, in the microwave drawer, and close the drawer.
2. Touch Defrost.
3. Select food item by entering its number (see chart and/or cooking guide label).
4. Enter the weight in tenths of a pound for Meat or Poultry, or enter volume in cups for Casserole/Soup. See chart for quantity limits.
Doneness may be adjusted at this time by touching Power Level.
5. Touch Start. The display will count down the defrost time. During defrosting, tones will sound to indicate it is time to check, turn, rearrange or separate food. Open drawer, turn food if necessary, close door and touch Start to resume defrosting.
When the cycle ends, "LET STAND COVERED" will appear in the display, and end-of-cycle tones will sound, followed by reminder tones.
6. Touch Stop or open the drawer to clear the display.

To Defrost Manually: Follow directions in the "Manual Cooking" section, and use 30% cooking power. See the "Microwave Cooking Power" chart.

Keep Warm

WARNING

Food Poisoning Hazard

Do not let food sit in oven more than one hour before or after cooking.

Doing so can result in food poisoning or sickness.

Hot cooked food can be kept warm in the microwave drawer. Keep Warm can be used by itself, or it can be programmed to follow a manual cooking cycle.

- Cover plates of food and foods that were covered while being cooked.
- For best results, do not cover baked goods such as pastries, pies, turnovers, etc.
- Keep Warm cannot be used with Sensor Popcorn, Sensor Reheat, Sensor Cook, Defrost, or Reheat.

To Use:

1. Place hot cooked food in the microwave drawer and close the drawer.
2. Touch Keep Warm.
3. Enter warm time in minutes and seconds, up to 30 minutes.
4. Touch Start. The display will count down the warm time.
“KEEP WARM” will appear in the display intermittently during countdown.
When the cycle ends, “END” will appear in the display, and end-of-cycle tones will sound, followed by reminder tones.
5. Touch Stop or open the drawer to clear the display.

To add to end of cooking cycle: Touch Keep Warm while setting a manual cooking cycle before touching Start.

Melt/Soften/Warm

Melt, Soften, and Warm automatically determine the correct heating time and microwave power level for melting, softening, and warming the foods shown in the chart below.

FOOD	NO.	QUANTITY/INSTRUCTIONS
Melt		
		Place butter in a microwave-safe dish and cover with plastic wrap.
Butter	1	2 tbsp-1/2 cup (30-125 mL). After touching MELT, touch 1 twice for 2 tbsp (30 mL), or three times for 1/2 cup (125 mL).
Chocolate	2	1 cup (250 mL) chips or 1 square. After touching MELT, touch 2 twice for 1 cup (250 mL) chips, or three times for 1 square.
Soften		
		Do not cover.
Ice cream	1	1 pint or 1/2 gallon (0.5-2 L). After touching SOFTEN, touch 1 twice for 1 pint (0.5 L), or three times for 1/2 gallon (2 L).
Cream cheese	2	3-8 oz (85-225 g). After touching SOFTEN, touch 2 twice for 3 oz (85 g), or three times for 8 oz (225 g).
Warm		
		Place food in a microwave-safe dish. Do not cover.
Syrup	1	1/4-1/2 cup (63-125 mL). After touching WARM, touch 1 twice for 1/4 cup (63 mL), or three times for 1/2 cup (125 mL).
Dessert toppings	2	1/4-1/2 cup (63-125 mL). After touching WARM, touch 2 twice for 1/4 cup (63 mL), or three times for 1/2 cup (125 mL).

To Use Melt, Soften, or Warm:

1. Place food in the microwave drawer and close the drawer.
2. Select Melt, Soften, or Warm, depending on the food item.
3. Select food item by entering its number (see chart below).
4. Select quantity by re-touching 1 or 2 (depending on selection) until the correct quantity is reached.
Doneness may be adjusted at this time by touching Power Level.
5. Touch Start.

Sensor Cooking Information

A sensor in the microwave drawer detects humidity released from the food as it heats and adjusts the cook time accordingly.

Many sensor cycles require the covering of foods. Microwave-safe containers or steamers with loose-fitting lids are recommended. The loose-fitting lid allows enough steam to escape to be detected by the sensor. When covering foods with plastic wrap, be sure to leave a large enough vent opening to allow the steam to escape. Sensor cooking options include Sensor Popcorn, Sensor Cook, and Sensor Reheat.

NOTES:

- The microwave drawer should be plugged in for at least 3 minutes before using any sensor setting.
- The microwave drawer cavity and the exterior of the cooking container should be dry.
- The room temperature should not exceed 95°F (35°C).
- Once the sensor cycle begins, the food name will appear on the display. If the drawer is opened during this time, sensing will stop and the program will be canceled. When sensing is complete, a remaining time will appear on the display. Once the time is displayed, you may open the drawer to stir or season food, if desired.
- Check food temperature after cycle is complete. If additional time is needed, continue to cook using the manual settings.
- Except when using Sensor Popcorn, if the sensor does not detect humidity properly, "ERROR" will be displayed, and the microwave drawer will turn off.
- The sensor works with foods at normal storage temperature. If your food is frozen, it will need to be defrosted before using a sensor cycle.

Sensor Reheat

The sensor in the microwave drawer determines the reheating time based on the weight of the food being heated.

Sensor Reheat will detect humidity and reheat food items from 4 to 36 oz (113-1020 g).

To Use Sensor Reheat:

1. Place food, loosely covered, in the microwave drawer, and close the drawer.
2. Touch Sensor Reheat.
3. Touch Start.
When the cycle ends, "LET STAND COVERED" will appear in the display, and end-of-cycle tones will sound, followed by reminder tones.
4. Touch Stop or open the drawer to clear the display.

Sensor Popcorn

The sensor in the microwave drawer determines the appropriate popping time of commercially packaged microwavable popcorn. This function is programmed to detect popping times for 3.5-oz (99 g), 3.0-oz (85 g) and 1.75-oz (50 g) bags.

NOTE: During Popcorn function, as with all microwave cooking functions, the microwave drawer should be attended at all times. Listen for popping to slow to one pop every 1 or 2 seconds, then stop the cycle.

- To avoid damage to the microwave drawer, do not use regular paper bags or glassware.
- Pop only one package of popcorn at a time.
- Follow manufacturer's instructions when using a microwave popcorn popper.
- For best cooking results, do not try to pop unpopped kernels.
- Use fresh bags of popcorn for optimal results.
- Cooking results may vary by brand and fat content. For bag sizes not listed in this section, follow directions on the package.
- Cooking results may vary based on location of bag on the floor of the microwave drawer. Try changing bag location to achieve best results.

To Use Sensor Popcorn:

1. Place popcorn bag in the microwave drawer, and close the drawer.
2. Touch SENSOR POPCORN once for Regular (2.85-3.5 oz [81-99 g]), or twice for Snack (1.2-1.6 oz [34-45 g]).
Doneness may be adjusted at this time by touching Power Level.
3. Touch Start.
When the cycle ends, "END" will appear in the display, and end-of-cycle tones will sound, followed by reminder tones.
4. Touch Stop or open the drawer to clear the display.

Sensor Cook

The sensor in the microwave drawer detects humidity released from the food and automatically sets a cooking time based on the selected food category.

NOTE: When covering foods, make sure the vent opening is large enough for moisture to escape. This will allow the sensor to accurately determine cooking time.

Use the following chart as a guide for Sensor Cooking.

FOOD	NO.	AMOUNT	INSTRUCTIONS
Fresh vegetables: quick	1	0.25-2.0 lbs (113-907 g)	Rinse and place in microwave-safe container. Cover with lid for tender vegetables. Cover with plastic wrap and vent for tender-crisp vegetables. Stir and let stand, covered, 2-5 minutes after cooking.
Fresh vegetables: longer	2	0.25-1.5 lbs (113-680 g)	Place in microwave-safe container and add 1-4 tbs (30-60 mL) water. Cover with lid for tender vegetables. Cover with plastic wrap and vent for tender-crisp vegetables. Stir and let stand, covered, 2-5 minutes after cooking.
Frozen vegetables	3	0.25-1.25 lbs (113-567 g)	Remove from package. Place in microwave-safe container. Do not add water. Cover with lid or plastic wrap, and vent. Stir and let stand, covered, 2-3 minutes after cooking.
Frozen entrées	4	6-17 oz (170-482 g)	Remove from outer package and follow package directions for covering. If entrée is not in microwave-safe container, place on plate, cover with plastic wrap, and vent.
Baked potatoes	5	1-6 medium,	Pierce each one several times with a fork. Place on paper towel, at least 1" (2.5 cm) apart.
Sweet potatoes	6	10-13 oz (283-369 g) each	After cooking, remove from microwave drawer, wrap in foil, and let stand 5-10 minutes.
Ground meat	7	0.25-2.0 lbs (113-907 g)	Crumble meat into a microwave-safe container. Cover with plastic wrap, and vent. Microwave drawer will stop midway through cooking; stir, re-cover, and touch Start to resume cooking. After cooking, stir and let stand, covered, for 2-3 minutes. Place patties on microwave-safe rack, and cover with wax paper. Microwave drawer will stop midway through cooking; turn patties over, re-cover, and touch Start to resume cooking. Let stand 2-3 minutes, covered, after cooking.
Fish/ Seafood	8	0.25-2.0 lbs (113-907 g)	Thin fillets and shrimp: Place in microwave-safe plate or dish with low sides. Cover with plastic wrap, and vent. Thick fillets and steak: place in microwave-safe casserole dish. Cover with plastic wrap, and vent. Adjust doneness to "MORE".
White rice	9	0.5-2 cups (125-500 mL)	Follow measurements on package for ingredient amounts. Place rice and liquid (see chart below) in a deep microwave-safe bowl or casserole. Cover with loose-fitting lid or plastic wrap. Let stand 5 minutes after cooking, or until liquid is absorbed. Stir.
Brown rice	10	dry medium or long grain rice	

To Use Sensor Cook:

- Place food, loosely covered, in the microwave drawer, and close the drawer.
- Touch Sensor Cook.
- Select food item by entering its number (see chart or cooking guide label). See chart for quantity limits.
Doneness may be adjusted at this time by touching Power Level.
- Touch Start.
The cycle may pause for turning or stirring of food. Stir or turn food, then touch Start to resume cooking.
When the cycle ends, the end-of-cycle tones will sound, followed by reminder tones.
- Touch Stop or open the drawer to clear the display.

MICROWAVE DRAWER CARE

General Cleaning

IMPORTANT: Before cleaning, make sure all controls are off and the microwave drawer is cool. Always follow label instructions on cleaning products.

Soap, water, and a soft cloth or sponge are suggested unless otherwise noted.

Microwave Drawer Cavity

To avoid damage to the microwave drawer cavity, do not use soap-filled scouring pads, abrasive cleaners, steel-wool pads, gritty washcloths or some recycled paper towels.

To avoid damage to stainless steel models, rub in direction of grain.

The area where the microwave drawer and frame touch when closed should be kept clean.

Average soil

- Mild, nonabrasive soaps and detergents:
Rinse with clean water and dry with soft, lint-free cloth.

Heavy soil

- Mild, nonabrasive soaps and detergents:
Heat 1 cup (250 mL) of water for 2 to 5 minutes in microwave drawer. Steam will soften soil. Rinse with clean water and dry with soft, lint-free cloth.

Odors

- Lemon juice or vinegar:
Heat 1 cup (250 mL) of water with 1 tbs (15 mL) of either lemon juice or vinegar for 2 to 5 minutes in microwave drawer.

Microwave Inlet Cover

To avoid arcing and microwave drawer damage, the microwave inlet cover (see “Parts and Features”) should be kept clean.

- Wipe with wet cloth.

Microwave Drawer Exterior

The area where the microwave drawer and frame touch when closed should be kept clean.

- Mild, nonabrasive soaps and detergents:
Rinse with clean water and dry with soft, lint-free cloth.
- Glass cleaner and paper towels or nonabrasive plastic scrubbing pad:
Apply glass cleaner to towel, not directly to surface.

Stainless Steel (on some models)

To avoid damage to microwave drawer and exterior, do not use soap-filled scouring pads, abrasive cleaners, steel-wool pads, gritty washcloths or some paper towels. Rub in direction of grain.

- Stainless Steel Cleaner and Polish (not included):
See “Assistance or Service” section to order.
- Liquid detergent or all-purpose cleaner:
Rinse with clean water and dry with soft, lint-free cloth.
- Vinegar for hard water spots.

Control Panel

- Sponge or soft cloth and water:
Dampen sponge with water and wipe panel. Dry with soft cloth.
- To avoid damage to the control panel, do not use chemical or abrasive cleansers.

Microwave Drawer Guides

To keep drawer opening and closing smoothly, remove crumbs from guides, and clean often.

- Dry, soft cloth

TROUBLESHOOTING

First try the solutions suggested here. If you need further assistance or more recommendations that may help you avoid a service call, refer to the warranty page in this manual or visit <https://producthelp.jennair.com>. In Canada, visit <http://www.jennair.ca>.

Contact us by mail with any questions or concerns at the address below.

In the U.S.A.:

JennAir Brand Home Appliances
Customer eXperience Center
553 Benson Road
Benton Harbor, MI 49022-2692

In Canada:

JennAir Brand Home Appliances
Customer eXperience Centre
200 - 6750 Century Ave.
Mississauga, Ontario L5N 0B7

Please include a daytime phone number in your correspondence.

Problem	Possible Causes and/or Solutions
Nothing will operate	A household fuse has blown, or a circuit breaker has tripped: Replace the fuse or reset the circuit breaker. If the problem continues, call an electrician.
Microwave drawer will not operate	The magnetron is not working properly: Try to heat 1 cup (250 mL) of cold water for 2 minutes at 100% cooking power. If water does not heat, try the steps below. If microwave drawer still does not operate, call for service. See “Assistance or Service” section. The electronic microwave drawer control is not set correctly: See the “Microwave Drawer Control” section. The Control Lock is on (on some models): See “Control Lock” section. The Demo Mode is active (on some models): See “Demo Mode” section.
Microwave drawer makes a humming noise	This is normal and occurs when the power supply switches the magnetron on and off.
Microwave drawer front looks wavy	This is normal and will not affect performance.
Display is showing “ERROR” during sensor cooking	The sensor is not detecting humidity. Check the food and the cover, then start the program again. See the “Sensor Cooking” section.
Fan is running slower than usual	The microwave drawer has been stored in a cold area: The fan will run slower until the microwave drawer warms up to normal room temperature.
Cooking times seem too long	Cooking power not set properly: See “Microwave Cooking Power” section. Large amounts of food being heated: Larger amounts of food need longer cooking times.
Radio, TV or cordless phone interference	The radio or TV receiver is near the microwave drawer: Move the receiver away from the microwave drawer, or adjust the radio or TV antenna. The microwave drawer door and sealing surfaces are dirty: Make sure these areas are clean. The cordless phone frequency is 2.4 GHz: Some 2.4 GHz-based cordless phones and home wireless networks may experience static or noise while the microwave drawer is on. Use a corded phone, a different frequency cordless phone, or avoid using these items during microwave drawer operation.

ASSISTANCE OR SERVICE

If you need service

Please refer to the warranty page in this manual.

If you need replacement parts

If you need to order replacement parts, we recommend that you use only factory specified parts. These factory specified parts will fit right and work right because they are made with the same precision used to build every new JennAir® appliance.

To locate factory specified parts in your area, call us or your nearest JennAir designated service center.

In the U.S.A.

Call the Customer eXperience Center toll-free: **1-800-JENNAIR (1-800-536-6247)**.

Our consultants provide assistance with:

- Features and specifications on our full line of appliances.
- Installation information.
- Use and maintenance procedures.
- Repair parts sales.
- Specialized customer assistance (Spanish speaking, hearing impaired, limited vision, etc.).
- Referrals to local dealers, repair parts distributors and service companies. JennAir designated service technicians are trained to fulfill the product warranty and provide after-warranty service anywhere in the United States.

To locate the JennAir designated service company in your area, you can also look in your telephone directory Yellow Pages.

For further assistance

If you need further assistance, you can write with any questions or concerns at:

JennAir Brand Home Appliances
Customer eXperience Center
553 Benson Road
Benton Harbor, MI 49022-2692

Please include a daytime phone number in your correspondence.

In Canada

Call the JennAir Canada LP Customer eXperience Centre toll-free: **1-800-JENNAIR (1-800-536-6247)**.

Our consultants provide assistance with:

- Use and maintenance procedures.
- Repair parts sales.
- Referrals to local dealers, repair parts distributors and service companies. JennAir designated service technicians are trained to fulfill the product warranty and provide after-warranty service anywhere in Canada.

For further assistance

If you need further assistance, you can write with any questions or concerns at:

JennAir Brand Home Appliances
Customer eXperience Centre
200 - 6750 Century Ave.
Mississauga, ON L5N 0B7

Please include a daytime phone number in your correspondence.

JENNAIR® COOKING LIMITED WARRANTY

ATTACH YOUR RECEIPT HERE. PROOF OF PURCHASE IS REQUIRED TO OBTAIN WARRANTY SERVICE.

Please have the following information available when you call the Customer eXperience Center:

- Name, address and telephone number
- Model number and serial number
- A clear, detailed description of the problem
- Proof of purchase including dealer or retailer name and address

IF YOU NEED SERVICE:

1. Before contacting us to arrange service, please determine whether your product requires repair. Some questions can be addressed without service. Please take a few minutes to review the Troubleshooting section of the Use and Care Guide or visit producthelp.jennair.com.
2. All warranty service is provided exclusively by our authorized JennAir Service Providers. In the U.S. and Canada, direct all requests for warranty service to:

**JennAir Customer eXperience Center
1-800-JENNAIR (1-800-536-6247).**

If outside the 50 United States or Canada, contact your authorized JennAir dealer to determine whether another warranty applies.

TWO YEAR LIMITED WARRANTY

WHAT IS COVERED

For two years from the date of purchase, when this major appliance is installed, operated, and maintained according to instructions attached to or furnished with the product, JennAir brand of Whirlpool Corporation or Whirlpool Canada LP (hereafter "JennAir") will pay for factory specified replacement parts and repair labor to correct defects in materials or workmanship that existed when this major appliance was purchased or, at its sole discretion, replace the product. In the event of product replacement, your appliance will be warranted for the remaining term of the original unit's warranty period.

YOUR SOLE AND EXCLUSIVE REMEDY UNDER THIS LIMITED WARRANTY SHALL BE PRODUCT REPAIR AS PROVIDED HEREIN. Service must be provided by a JennAir designated service company. This limited warranty is valid only in the United States or Canada and applies only when the major appliance is used in the country in which it was purchased. This limited warranty is effective from the date of original consumer purchase. Proof of original purchase date is required to obtain service under this limited warranty.

WHAT IS NOT COVERED

1. Commercial, non-residential, multiple-family use, or use inconsistent with published user, operator or installation instructions.
2. In-home instruction on how to use your product.
3. Service to correct improper product maintenance or installation, installation not in accordance with electrical or plumbing codes or correction of household electrical or plumbing (i.e. house wiring, fuses or water inlet hoses).
4. Consumable parts (i.e. light bulbs, batteries, air or water filters, preservation solutions, etc.).
5. Defects or damage caused by the use of non-genuine JennAir parts or accessories.
6. Conversion of products from natural gas or propane gas.
7. Damage from accident, misuse, abuse, fire, floods, acts of God or use with products not approved by JennAir.
8. Repairs to parts or systems to correct product damage or defects caused by unauthorized service, alteration or modification of the appliance.
9. Cosmetic damage including scratches, dents, chips, and other damage to the appliance finishes unless such damage results from defects in materials and workmanship and is reported to JennAir within 30 days.
10. Discoloration, rust or oxidation of surfaces resulting from caustic or corrosive environments including but not limited to high salt concentrations, high moisture or humidity or exposure to chemicals.
11. Food or medicine loss due to product failure.
12. Pick-up or delivery. This product is intended for in-home repair.
13. Travel or transportation expenses for service in remote locations where an authorized JennAir servicer is not available.
14. Removal or reinstallation of inaccessible appliances or built-in fixtures (i.e. trim, decorative panels, flooring, cabinetry, islands, countertops, drywall, etc.) that interfere with servicing, removal or replacement of the product.
15. Service or parts for appliances with original model/serial numbers removed, altered or not easily determined.

The cost of repair or replacement under these excluded circumstances shall be borne by the customer.

DISCLAIMER OF IMPLIED WARRANTIES

IMPLIED WARRANTIES, INCLUDING ANY IMPLIED WARRANTY OF MERCHANTABILITY OR IMPLIED WARRANTY OF FITNESS FOR A PARTICULAR PURPOSE, ARE LIMITED TO TWO YEARS OR THE SHORTEST PERIOD ALLOWED BY LAW. Some states and provinces do not allow limitations on the duration of implied warranties of merchantability or fitness, so this limitation may not apply to you. This warranty gives you specific legal rights, and you also may have other rights that vary from state to state or province to province.

DISCLAIMER OF REPRESENTATIONS OUTSIDE OF WARRANTY

JennAir makes no representations about the quality, durability, or need for service or repair of this major appliance other than the representations contained in this warranty. If you want a longer or more comprehensive warranty than the limited warranty that comes with this major appliance, you should ask JennAir or your retailer about buying an extended warranty.

LIMITATION OF REMEDIES: EXCLUSION OF INCIDENTAL AND CONSEQUENTIAL DAMAGES

YOUR SOLE AND EXCLUSIVE REMEDY UNDER THIS LIMITED WARRANTY SHALL BE PRODUCT REPAIR AS PROVIDED HEREIN. JennAir SHALL NOT BE LIABLE FOR INCIDENTAL OR CONSEQUENTIAL DAMAGES. Some states and provinces do not allow the exclusion or limitation of incidental or consequential damages, so these limitations and exclusions may not apply to you. This warranty gives you specific legal rights, and you also may have other rights that vary from state to state or province to province.

SÉCURITÉ DU TIROIR À MICRO-ONDES

Votre sécurité et celle des autres est très importante.

Nous donnons de nombreux messages de sécurité importants dans ce manuel et sur votre appareil ménager. Assurez-vous de toujours lire tous les messages de sécurité et de vous y conformer.



Voici le symbole d'alerte de sécurité.

Ce symbole d'alerte de sécurité vous signale les dangers potentiels de décès et de blessures graves à vous et à d'autres.

Tous les messages de sécurité suivront le symbole d'alerte de sécurité et le mot "DANGER" ou "AVERTISSEMENT". Ces mots signifient :

⚠ DANGER

Risque possible de décès ou de blessure grave si vous ne suivez pas immédiatement les instructions.

⚠ AVERTISSEMENT

Risque possible de décès ou de blessure grave si vous ne suivez pas les instructions.

Tous les messages de sécurité vous diront quel est le danger potentiel et vous disent comment réduire le risque de blessure et ce qui peut se produire en cas de non-respect des instructions.

IMPORTANTES INSTRUCTIONS DE SÉCURITÉ

Lors de l'utilisation d'appareils électriques, il faut toujours observer certaines précautions élémentaires de sécurité, y compris les suivantes :

AVERTISSEMENT : Pour réduire les risques de brûlure, de décharges électriques, d'incendie, de blessures ou d'exposition à un rayonnement excessif de micro-ondes :

- Lire toutes les instructions avant d'utiliser le four à micro-ondes.
- Lire et respecter les "PRÉCAUTIONS POUR ÉVITER LES EXPOSITIONS POSSIBLES À UN RAYONNEMENT EXCESSIF AUX MICRO-ONDES" spécifiques de la page 4.
- Le four micro-ondes doit être relié à la terre. Brancher uniquement dans une prise reliée à la terre. Voir la section "INSTRUCTIONS DE MISE À LA TERRE" de la page 5 et des instructions d'installation fournies.
- Installer ou placer ce four à micro-ondes en respectant toutes les instructions d'installation fournies.
- Certains produits comme les œufs entiers dans leur coquille et les contenants scellés, comme un pot en verre fermé, peuvent exploser et ne devraient pas être chauffés dans le four à micro-ondes.
- Utiliser le four à micro-ondes uniquement dans le cadre de l'usage auquel il se destine comme décrit dans ce manuel. Ne pas utiliser de produits chimiques corrosifs ou dégageant des vapeurs dans le four à micro-ondes. Ce type de four est spécialement conçu pour chauffer, cuire ou sécher des aliments. Il n'est pas conçu pour une utilisation à des fins industrielles ou en laboratoires.
- Comme pour tout appareil, une bonne supervision est nécessaire lorsqu'un enfant utilise l'appareil.
- Ne pas utiliser ce four à micro-ondes si la fiche ou le cordon est endommagé, s'il ne fonctionne pas correctement ou s'il a subi une chute ou a été endommagé de quelque façon que ce soit.
- Seule une personne qualifiée est habilitée à effectuer une intervention d'entretien sur ce four à micro-ondes. Communiquer avec une entreprise de service autorisé pour la vérification, la réparation et le réglage.

- Voir les instructions de nettoyage de la surface de la porte dans la section "Entretien du tiroir à micro-ondes".
- Pour réduire les risques d'incendie dans la cavité du four :
 - Ne pas trop faire cuire les aliments. Surveiller attentivement le four à micro-ondes lorsque du papier, du plastique ou d'autres matériaux combustibles sont placés à l'intérieur pour faciliter la cuisson.
 - Retirer les attaches des sacs en papier ou en plastique avant de placer le sac dans le four.
 - Si des matériaux prennent en feu dans le four, garder la porte du four fermée, éteindre le four et débrancher le cordon d'alimentation ou fermer l'alimentation au fusible ou disjoncteur.
 - Ne pas utiliser la cavité comme remisage. Ne pas laisser de produits en papier, d'ustensiles de cuisson ou d'aliments dans la cavité lorsque l'appareil n'est pas utilisé.
- Les liquides, comme l'eau, le café ou le thé, peuvent être chauffés au-delà du point d'ébullition sans pour autant avoir l'air de bouillir. Des bulles ou une ébullition lorsque le contenant est sorti du four à micro-ondes ne sont pas toujours visibles. **LE CONTENU LIQUIDE TRÈS CHAUD PEUT AINSI SOUDAINEMENT BOUILLIR LORSQUE LE CONTENANT EST DÉPLACÉ OU SI UNE CUILLÈRE OU UN AUTRE USTENSILE EST INSÉRÉ DANS LE LIQUIDE.**

Pour réduire le risque de blessures :

- Ne pas surchauffer le liquide.
- Mélanger le liquide avant et pendant le réchauffage.
- Ne pas utiliser de contenant avec contour droit et embout étroit.
- Après le chauffage, laisser le contenant reposer dans le four à micro-ondes pendant une courte période avant de le retirer.
- Être très prudent avant d'insérer une cuillère ou un autre ustensile dans le contenant.

CONSERVER CES INSTRUCTIONS

IMPORTANTES INSTRUCTIONS DE SÉCURITÉ

- On ne doit insérer ni aliments surdimensionnés ni ustensiles surdimensionnés en métal dans le four à micro-ondes, car ils peuvent présenter un risque d'incendie ou de décharge électrique.
- Ne pas nettoyer avec des tampons à récurer métalliques. Des morceaux pourraient se détacher en brûlant et toucher les pièces électriques, créant un risque de décharge électrique.
- Ne pas entreposer dans ce four de matériel autre que les accessoires recommandés par le fabricant pendant son fonctionnement.
- Ne rien placer directement sur le dessus du four à micro-ondes lorsque ce dernier est utilisé.
- Ne pas couvrir ou obstruer les ouvertures du four à micro-ondes.
- Ne pas ranger ce four à micro-ondes à l'extérieur. Ne pas utiliser le four à micro-ondes près d'une source d'eau comme un évier de cuisine, un sous-sol humide, une piscine ou tout autre emplacement semblable.
- Ne pas immerger le cordon et la fiche dans l'eau.
- Maintenir le cordon à l'écart de toute surface chaude.
- Ne pas laisser le cordon pendre par dessus le bord d'une table ou d'un plan de travail.
- Ne pas installer au-dessus d'un évier.
- Ne couvrir aucune des parties du four avec du papier aluminium. Ceci entraînera la surchauffe du four.

CONSERVER CES INSTRUCTIONS

PRÉCAUTIONS CONTRE LE RISQUE D'EXPOSITION EXCESSIVE À L'ÉNERGIE DES MICRO-ONDES

- (a) Ne pas tenter de faire fonctionner ce four lorsque la porte est ouverte, car ceci pourrait susciter une exposition dangereuse à l'énergie des micro-ondes. Il est important de ne pas entraver le fonctionnement correct du dispositif de verrouillage de sécurité.
- (b) Ne pas placer d'objet entre la surface avant du four et la porte, et ne jamais laisser des souillures ou résidus de produits de nettoyage s'accumuler sur les surfaces d'étanchéité.
- (c) Ne pas faire fonctionner le four lorsqu'il est endommagé. Il est particulièrement important que la porte du four ferme convenablement et que les composants suivants ne soient pas endommagés :
 - (1) Porte (déformation),
 - (2) Charnières et dispositif de verrouillage (brisés ou desserrés),
 - (3) Joints de porte et surfaces d'étanchéité.
- (d) Seul un personnel d'entretien qualifié est habilité à exécuter des réparations ou réglages sur cet appareil.

⚠ AVERTISSEMENT



Risque de choc électrique

Brancher sur une prise reliée à la terre.

Ne pas arracher la broche de liaison à la terre.

Ne pas utiliser un adaptateur.

Ne pas utiliser un câble de rallonge.

Le non-respect de ces instructions peut causer un décès, un incendie ou un choc électrique.

Observer les dispositions de tous les codes et règlements en vigueur.

Exigences :

- Une alimentation électrique de 120 V, 60 Hz, CA seulement, 15 ou 20 A, protégée par fusibles ou disjoncteur.

Recommandation :

- Un fusible temporisé ou un disjoncteur temporisé.
- Un circuit distinct exclusif au tiroir à micro-ondes.

INSTRUCTIONS DE LIAISON À LA TERRE

■ Pour tout appareil ménager connecté par un cordon de courant électrique :

Il faut que le four à micro-ondes soit relié à la terre. En cas de court-circuit électrique, la liaison à la terre réduit le risque de choc électrique car le courant électrique dispose d'un itinéraire direct d'acheminement à la terre. Le four à micro-ondes est doté d'un cordon de courant électrique qui comporte un fil de liaison à la terre, avec broche de liaison à la terre. On doit brancher la fiche sur une prise de courant convenablement installée et reliée à la terre.

AVERTISSEMENT : L'utilisation incorrecte du dispositif de liaison à la terre peut susciter un risque de choc électrique. L'utilisateur qui ne comprend pas bien les instructions de liaison à la terre, ou qui n'est pas certain que le four à micro-ondes soit convenablement relié à la terre, devrait consulter un électricien ou un technicien qualifié.

Ne pas utiliser un câble de rallonge. Si le cordon de courant électrique est trop court, demander à un électricien ou un technicien qualifié d'installer une prise de courant à proximité du four à micro-ondes.

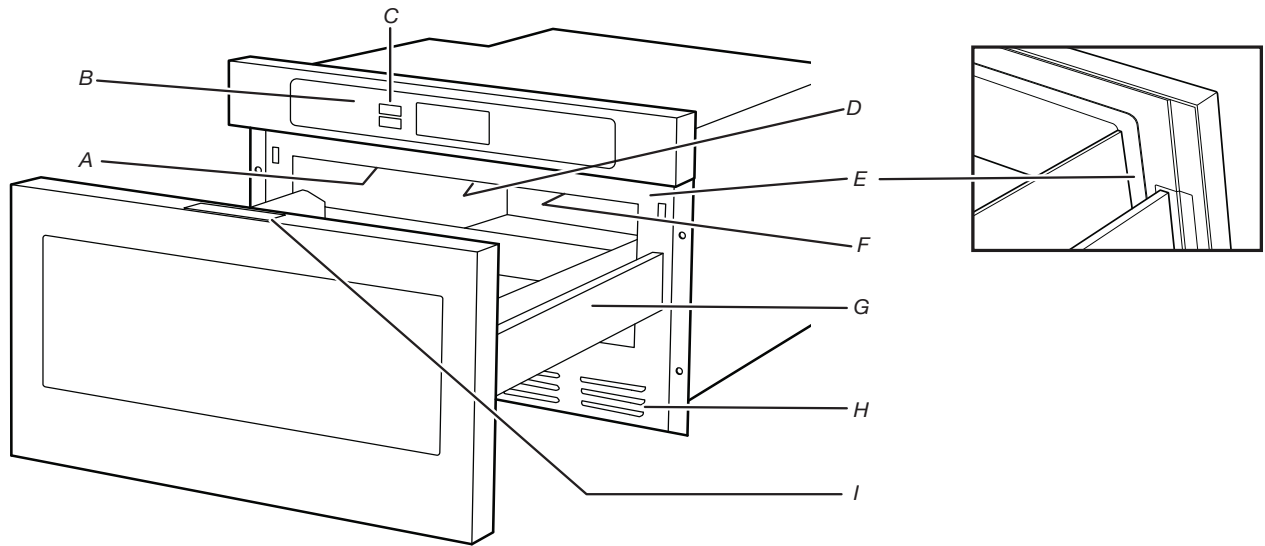
CONSERVEZ CES INSTRUCTIONS

Ce dispositif est conforme à la section 18 des règlements FCC.

Ce dispositif est conforme à la norme
ICES-001 d'Industrie Canada.

PIÈCES ET CARACTÉRISTIQUES

Ce manuel peut couvrir plusieurs modèles différents. Le modèle que vous avez acheté peut comporter certains (ou l'ensemble) des éléments présentés dans ce document. L'apparence de votre modèle peut différer légèrement des illustrations figurant dans ce manuel.



A. Capot d'orifice du tiroir à micro-ondes – NE PAS ENLEVER

B. Tableau de commande

C. Commandes de OPEN (OUVRIR) et CLOSE (FERMER)

D. Plaque d'identification : ouvrir le tiroir à micro-ondes complètement. L'étiquette se trouve au-delà de la paroi arrière de la cavité du tiroir à micro-ondes, vers le haut de la surface plane.

E. Surface d'étanchéité du tiroir à micro-ondes

F. Éclairage du tiroir à micro-ondes

G. Glissières du tiroir à micro-ondes

H. Évent

I. Étiquette du guide de cuisson

COMMANDES DU TIROIR À MICRO-ONDES

Ce manuel peut couvrir plusieurs modèles différents. Le modèle que vous avez acheté peut comporter certains (ou l'ensemble) des éléments présentés dans ce document. L'apparence de votre modèle peut différer légèrement des illustrations figurant dans ce manuel.



Affichage

Lorsqu'on utilise le tiroir à micro-ondes, l'affichage indique la puissance de cuisson, les quantités, les poids ou des suggestions. Lorsqu'il n'est pas en marche, l'afficheur indique l'heure.

Mode veille

Ce four à micro-ondes passe en mode veille après une période d'inactivité. Le rétroéclairage de l'affichage se tamise automatiquement après 3 minutes si l'appareil n'est pas utilisé. Si l'affichage est en mode veille, toucher simplement le tableau de commande ou ouvrir/fermer la porte pour obtenir de nouveau le plein rétroéclairage.

Avant la première utilisation

Lorsque le tiroir à micro-ondes est branché, le message "Enjoy your microwave touch clear and touch clock" (profitez de votre tiroir à micro-ondes, appuyez sur les touches Effacement et Horloge) s'affiche à l'afficheur déroulant. Il faut effacer le message pour configurer l'horloge.

Effacer l'affichage :

1. Appuyer sur Stop/Clear (arrêt/effacement).

Si le message "Enjoy your microwave touch clear and touch clock" apparaît à tout autre moment, une panne de courant s'est produite. Effacer l'affichage et réinitialiser l'horloge.

REMARQUE : Le tiroir à micro-ondes peut être programmé avec le tiroir ouvert, sauf la commande Start/Add 1 Min (mise en marche/Ajouter 1 minute).

Horloge

Il s'agit d'une horloge sur 12 heures (12:00 – 11:59)

Réglage de l'horloge :

1. Appuyer sur Timer/clock (minuterie/horloge), puis sur la touche numérique 2.
2. Entrer l'heure en heures et en minutes.
3. Appuyer de nouveau sur Timer/Clock (minuterie/horloge) pour terminer le réglage.

Mise en marche

La commande Start (mise en marche) (Start/Add 1 Min) démarre n'importe quelle fonction de cuisson. Si la cuisson sans détection est interrompue, appuyer sur la commande Start pour reprendre le programme sans détection préréglé.

REMARQUE : Pour éviter le fonctionnement involontaire du tiroir à micro-ondes, la commande Start ne fonctionne que si un programme de cuisson est terminé, si le tiroir a été fermé ou si l'on a appuyé sur la commande Stop (arrêt) au cours des trois dernières minutes.

Ajouter 1 minute

La commande Add 1 Min (Ajouter 1 minute) (Start/Add 1 Min) met le tiroir à micro-ondes en marche à la puissance maximale pendant 1 minute. Chaque pression supplémentaire sur la commande ajoute 1 minute au temps de cuisson.

On peut rallonger le temps de cuisson d'un programme par tranches de 1 minute et conserver le même niveau de puissance en appuyant sur Add 1 Min (Ajouter 1 minute) durant le programme. La fonction Add 1 Min (Ajouter 1 minute) ne peut pas être utilisée durant le réchauffage, la décongélation ou tout autre programme de détection.

REMARQUE : Pour éviter le fonctionnement involontaire du tiroir à micro-ondes, la commande Add 1 Min (Ajouter 1 minute) ne fonctionne que si un programme de cuisson est terminé, si le tiroir a été fermé ou si l'on a appuyé sur la commande Stop (arrêt) au cours des trois dernières minutes.

Arrêt/effacement

Une simple pression sur la commande Stop/Clear (arrêt/effacement) suffit pour effacer toute commande incorrecte, interrompre la cuisson et annuler la plupart des fonctions. Appuyer deux fois sur Stop pour annuler un programme de cuisson en cours.

Le tiroir à micro-ondes s'arrête également lorsqu'on ouvre le tiroir. Fermer le tiroir et appuyer sur Start pour reprendre le programme sans détection.

Ouvrir/fermer

Appuyer sur la touche Open (ouvrir) ou Close (fermer) au tableau de commande pour ouvrir ou fermer le tiroir.

Lors de l'ouverture ou de la fermeture rapide du tiroir, les aliments dans le tiroir à micro-ondes peuvent être renversés. Pour nettoyer, consulter la section "Nettoyage général" dans "Entretien du tiroir à micro-ondes".

Minuterie

La minuterie peut être réglée en minutes et en secondes et procède à un compte à rebours de la durée réglée.

REMARQUE : La minuterie ne met pas en marche et n'arrête pas le tiroir à micro-ondes.

Réglage de la minuterie :

1. Appuyer sur Timer/clock (minuterie/horloge), puis sur la touche numérique 1.
2. Entrer la durée en minutes et en secondes.
3. Appuyer de nouveau sur Timer/clock pour démarrer la minuterie.

La minuterie peut être annulée à tout moment en appuyant sur Stop/Clear.

Verrouillage des commandes

Le verrouillage des commandes désactive les touches du tableau de commande pour éviter l'utilisation involontaire du tiroir à micro-ondes. Lorsque le tableau de commande est verrouillé, seule la commande Control Lock (verrouillage des commandes) fonctionne.

Pour verrouiller/déverrouiller les commandes : Appuyer sur Control Lock (verrouillage des commandes) pendant 3 secondes. L'afficheur indique le statut de verrouillage.

Réglage

La commande Setup/Custom Help (réglage/aide) offre un accès facile aux réglages suivants :

- Signaux sonores - son activé ou désactivé. Voir "Signaux sonores".
- Signaux sonores de rappel - signal de rappel activé ou désactivé. Voir "Signaux sonores".
- Mise en marche automatique. Voir "Mise en marche automatique".
- Mode de démonstration - démonstration activée ou désactivée. Voir "Mode de démonstration".

Signaux sonores

Signaux sonores de fin de programme

À moins d'être désactivés, les signaux sonores retentissent à la fin d'un programme de cuisson.

Désactivation/activation du son : Appuyer sur la commande Setup (réglage) deux fois, puis appuyer sur Start.

Signaux sonores de rappel

Les sons retentissent toutes les 10 secondes pendant 1 minute, puis toutes les 3 minutes pendant une durée maximale de 1 heure. Appuyer sur Stop pour arrêter les signaux sonores.

Pour désactiver/activer le rappel : Appuyer sur Setup (réglage) 3 fois, puis appuyer sur Start.

Mode de démonstration

Le mode de démonstration est idéal pour apprendre à utiliser le tiroir à micro-ondes. Lorsque le mode est activé, il est possible de sélectionner des fonctions, avec de vrais affichages et signaux sonores, sans réellement activer le générateur de micro-ondes (magnétron). Pendant que les fonctions sont en marche au mode démonstration, la lumière s'allume et l'afficheur lance un compte à rebours rapide.

Activation du mode de démonstration : Appuyer sur Setup cinq fois, puis appuyer sur Start pendant trois secondes.

Désactivation du mode de démonstration : Appuyer sur Setup (réglage) cinq fois, puis appuyer sur Start.

Aide

Des conseils sont disponibles pour toutes les fonctions automatiques. Pour voir ces conseils, appuyer sur Setup/Custom Help (réglage/aide) pendant que "HELP" est allumé sur l'afficheur.

UTILISATION DU TIROIR À MICRO-ONDES

Un magnétron dans le tiroir produit des micro-ondes qui rebondissent sur le plancher, les parois et la voûte en métal et passent à travers le plateau rotatif et les ustensiles de cuisson appropriés pour atteindre l'aliment. Les micro-ondes sont attirées et absorbées par le gras, le sucre et les molécules d'eau des aliments, elles font bouger ces molécules, ce qui produit la friction et la chaleur qui fait cuire les aliments.

- Afin d'éviter d'endommager le tiroir à micro-ondes, ne pas laisser les enfants s'appuyer sur le tiroir à micro-ondes ou s'y balancer.
- Afin d'éviter d'endommager le tiroir à micro-ondes, ne pas le faire fonctionner lorsqu'il est vide.
- Les vêtements, fleurs, fruits, herbes, bois, coloquintes, papiers, y compris les sacs en papier brun et les journaux, ne doivent pas être séchés dans le tiroir à micro-ondes.
- L'évent sous le tiroir ne doit pas être bloqué. Pendant le fonctionnement du tiroir à micro-ondes, la vapeur peut sortir du côté droit de l'évent.
- Il est normal que l'extérieur du tiroir à micro-ondes soit chaud au toucher lors de la cuisson ou du réchauffage.
- La paraffine ne fondra pas dans le tiroir, car elle n'absorbe pas les micro-ondes.

- Utiliser des mitaines de four ou des maniques pour enlever les contenants du tiroir.
- Maintenez le capot d'orifice du tiroir à micro-ondes propre : les résidus de nourriture peuvent causer des arcs et/ou des incendies (voir la section "Cavité du tiroir à micro-ondes" dans "Entretien du tiroir à micro-ondes").
- Les biberons et les petits pots d'aliments pour bébé ne doivent pas être chauffés dans le tiroir à micro-ondes. Transférer les aliments pour bébé dans un petit plat bon pour micro-ondes et chauffer, en remuant souvent.
- Percer les peaux des pommes de terre, des pommes, des courges et des saucisses afin que la vapeur puisse s'échapper pendant la cuisson.
- Ne pas faire cuire les pommes de terre excessivement. À la fin de la durée de cuisson recommandée, les pommes de terre devraient être légèrement fermes. Laisser les pommes de terre reposer pendant 5 minutes pour terminer la cuisson.
- Ne pas faire cuire ou réchauffer des œufs entiers avec leur coquille. L'accumulation de vapeur dans les œufs entiers peut les faire éclater et obligera à nettoyer en profondeur la cavité du tiroir à micro-ondes. Recouvrir les œufs pochés et les laisser reposer.

Caractéristiques des aliments

Lors de la cuisson au tiroir à micro-ondes, la quantité, la taille, la forme, la température de mise en marche, la composition et la densité de l'aliment affectent les résultats de cuisson.

Quantité d'aliments

La quantité d'aliments chauffés à la fois a une incidence sur la durée de cuisson. Vérifier le degré de cuisson et rallonger légèrement la durée si nécessaire.

Taille et forme

Des aliments de petite taille cuiront plus vite que de gros morceaux, et des aliments uniformes cuiront de façon plus égale que des aliments de forme irrégulière.

Température de mise en marche

Les aliments à température ambiante chaufferont plus vite que les aliments réfrigérés, et les aliments réfrigérés chaufferont plus vite que les aliments surgelés.

Composition et densité

Les aliments à haute teneur en gras et en sucre atteindront une température plus élevée et chaufferont plus vite que les autres. Les aliments lourds et denses, comme la viande et les pommes de terre, demandent un temps de cuisson plus long que les aliments de même taille, mais plus léger et poreux, comme les gâteaux.

Guide de cuisson

Durée de cuisson

Surveiller la durée de cuisson. Utiliser la plus courte durée de cuisson indiquée, puis ajouter du temps au besoin. Les aliments trop cuits peuvent fumer ou s'enflammer.

Pour tester la cuisson, insérer un thermomètre dans une partie épaisse ou dense loin de la graisse ou de l'os. Ne pas laisser le thermomètre dans la nourriture pendant la cuisson, à moins qu'il ne soit approuvé pour l'utilisation dans un four/tiroir à micro-ondes.

Consulter le tableau suivant lors de la vérification du degré de cuisson :

ALIMENT	TEMPÉRATURE RECOMMANDÉE
Poisson	145 °F / 63 °C
Porc	160 °F / 71 °C
Boeuf/veau/agneau haché	
Plats à base d'oeufs	
Restes	165 °F / 74 °C
Produits de spécialité et mets à emporter "frais"	
Dinde/poulet/canard entier, en morceaux et haché	

Recouvrement

Recouvrir les aliments aide à retenir l'humidité, réduire le temps de cuisson et limiter les éclaboussures. Utiliser le couvercle fourni avec l'ustensile de cuisson. S'il n'y a pas de couvercle disponible, du papier paraffiné, un essuie-tout ou des emballages en plastique approuvés pour les micro-ondes peuvent être utilisés. L'emballage en plastique doit être replié à un coin pour laisser échapper la vapeur. La condensation sur les surfaces de la porte et de la cavité est normale pendant une cuisson intense.

Remuer et tourner

Remuer et tourner les aliments redistribue la chaleur de manière uniforme pour éviter la cuisson excessive du bord des aliments. Mélanger de l'extérieur vers le centre. Si possible, retourner les aliments.

Disposition

S'il s'agit d'aliments de formes irrégulières ou de dimensions différentes, les parties plus minces et les morceaux plus petits doivent être disposés près du centre. Si l'on cuit plusieurs aliments de même taille et de même forme, les placer en forme de cercle, en laissant le centre du cercle vide.

Perforation

Avant le chauffage, utiliser une fourchette ou un petit couteau pour percer les aliments qui ont une peau ou une membrane, comme les pommes de terre, jaunes d'œufs, foies de poulet, hot dogs et saucisses. Percer plusieurs endroits pour laisser échapper la vapeur.

Protection

Utiliser du papier d'aluminium en petits morceaux pour protéger les parties minces d'aliments de forme irrégulière, les os et les aliments comme les ailes et pilons de poulet et les queues de poisson. Voir d'abord "Papier d'aluminium et métal".

Temps de repos

Les aliments continuent à cuire par conduction naturelle de la chaleur même lorsque le programme du micro-ondes est terminé. La durée du repos dépend du volume et de la densité de l'aliment.

Ustensiles de cuisson et vaisselle

La vaisselle et les ustensiles de cuisson doivent pouvoir être placés sur le plateau rotatif. Toujours utiliser des mitaines de four ou des poignées lors de la manipulation, car les plats peuvent devenir chauds puisqu'ils sont en contact avec des aliments. Ne pas utiliser des ustensiles de cuisson ou de la vaisselle avec garniture en or ou en argent. Utiliser le tableau suivant comme guide, ensuite faire un test avant utilisation.

MATÉRIAU	RECOMMANDATIONS
Papier d'aluminium, métal	Voir la section "Papier d'aluminium et métal".
Plat brunisseur	La partie inférieure doit se trouver au moins à 3/16 po (5 mm) au-dessus du plateau tournant. Suivre les recommandations du fabricant.
Vitrocéramique, verre	Peut être utilisé.
Porcelaine, terre cuite	Suivre les recommandations du fabricant.
Mélamine	Suivre les recommandations du fabricant.
Papier : Chiffons, vaisselle, serviettes de table	Utiliser des produits non recyclés et ceux qui sont approuvés par le fabricant pour l'utilisation dans un tiroir à micro-ondes.
Plastique : Emballages, sacs, couvercles, vaisselle, contenants	Utiliser des produits approuvés par le fabricant pour l'utilisation dans un tiroir à micro-ondes.
Poterie et argile	Suivre les recommandations du fabricant.
Ustensiles de cuisson en silicone	Suivre les recommandations du fabricant.
Paille, osier, contenants en bois	Ne pas utiliser dans le tiroir à micro-ondes.
Papier paraffiné	Peut être utilisé.

Pour vérifier si la vaisselle ou l'ustensile de cuisson peut être utilisé dans un tiroir à micro-ondes :

1. Placer l'ustensile de cuisson ou la vaisselle dans le tiroir à micro-ondes avec une tasse (250 mL) d'eau à côté de l'article.
2. Faire cuire à la puissance de cuisson maximale pendant 1 minute.

Ne pas utiliser cet ustensile de cuisson ou cet article de vaisselle s'il devient chaud alors que l'eau demeure froide.

Papier d'aluminium et métal

Toujours utiliser des mitaines de four ou des poignées pour enlever un contenant du tiroir à micro-ondes.

Le papier d'aluminium et certains métaux peuvent être utilisés dans le tiroir à micro-ondes. Si ces articles ne sont pas correctement utilisés, des arcs (éclairs bleus) peuvent se produire et causer des dommages au tiroir à micro-ondes.

Lors de l'utilisation de papier d'aluminium, n'utiliser que de pièces petites et lissées avant de les placer sur les aliments. Le papier d'aluminium ne devrait pas être plus proche d'un pouce de n'importe quelle surface du tiroir à micro-ondes.

Utilisation correcte

Les grilles et les ustensiles de cuisson fournis avec le tiroir à micro-ondes (sur certains modèles), la feuille d'aluminium pour protection et les thermomètres à viande approuvés peuvent être utilisés en respectant les précautions suivantes :

- Afin d'éviter d'endommager le tiroir à micro-ondes, ne pas laisser les grilles en contact avec les parois internes, la voûte ou le fond du tiroir.
- Pour éviter d'endommager le tiroir à micro-ondes, ne pas laisser un autre objet métallique entrer en contact avec le tiroir à micro-ondes pendant la cuisson.

Ne pas utiliser

- Ustensiles de cuisson métalliques
- Or, argent et étain
- Thermomètres à viande non approuvés
- Broches
- Attaches
- Doublures en papier d'aluminium, telles que les enveloppes à sandwich
- Agrafes
- Objets avec garniture en or ou en argent ou à lustre métallique
- Verre non résistant à la chaleur
- Plastiques qui ne conviennent pas aux micro-ondes, comme les pots de margarine.
- Produits en papier recyclé et sacs en papier brun

Puissance de cuisson aux micro-ondes

De nombreuses recettes de cuisson aux micro-ondes précisent la puissance de cuisson à utiliser en indiquant un pourcentage, un nom ou un chiffre. Par exemple, 70 % = moyenne-élevée. Lors de l'utilisation du tiroir à micro-ondes à des niveaux de puissance inférieurs à 100 %, l'on peut entendre le magnétron fonctionner par cycles d'arrêt et de démarrage : ceci est un fonctionnement au micro-ondes normal.

Utiliser le tableau suivant comme guide général pour la puissance de cuisson d'aliments spécifiques.

POURCENTAGE/ NOM	NOMBRE D'APPUIS SUR LA TOUCHE POWER LEVEL	UTILISER
100 %, élevée (réglage par défaut)	Une fois	Réchauffage des aliments prêt-à-servir avec haute teneur en eau comme les soupes, les boissons et la plupart des légumes.
90 %	Deux fois	Cuisson de petits morceaux tendres de viande, viande hachée, morceaux de volaille, filets de poisson. Réchauffage de soupes en crème.
80 %	Trois fois	Chauffer du riz, des pâtes ou des mets en sauce. Cuisson et réchauffage d'aliments qui ont besoin d'une puissance de chauffage inférieure à la puissance élevée. Par exemple, poisson entier et pain de viande.
70 %, moyenne à élevée	Quatre fois	Réchauffage d'une seule portion de nourriture.
60 %	Cinq fois	Cuisson d'aliments sensibles comme les mets à base de fromage et d'œufs, les puddings et les crèmes. Cuisson de mets en sauce non remuables comme les lasagnes.
50 %, moyen	Six fois	Cuisson de jambon, de volaille entière et de morceaux de viande à braiser. Mijotage de ragoûts.
40 %	Sept fois	Faire fondre le chocolat. Chauffage du pain, de petits pains et de pâtisseries.
30 %, Medium-Low (moyen-faible) Defrost (décongélation)	Huit fois	Décongélation de pain, de poisson, de viande, de volaille et d'aliments précuits.
20 %	Neuf fois	Amollir le beurre, le fromage et la crème glacée.
10 %, faible	Dix fois	Mettre les fruits à température ambiante.
0 %	Onze fois	Fonctionnement de détection; aucune puissance de cuisson

Cuisson manuelle

Utilisation :

1. Placer les aliments dans le tiroir à micro-ondes et fermer le tiroir.
2. Entrer la durée de cuisson en minutes et en secondes. En cas de cuisson à la puissance maximale, passer à l'étape 4.
3. Appuyer à plusieurs reprises sur Power Level (niveau de puissance) pour sélectionner le niveau de puissance désiré. Voir "Puissance de cuisson aux micro-ondes".

4. Appuyer sur Start (mise en marche).

Lorsque le programme est terminé, "END" s'affiche et la tonalité de fin de programme retentit, suivie de la tonalité de rappel.

5. Appuyer sur Stop (arrêt) ou ouvrir le tiroir pour effacer l'affichage.

La durée de cuisson peut être rallongée par tranches de 1 minute au cours du programme en appuyant sur Add 1 Min.

Cuisson par étapes

Le tiroir à micro-ondes peut être réglé pour cuire à différentes puissances pendant diverses durées, jusqu'à 4 étapes.

Cuisson par étapes :

1. Placer les aliments dans le tiroir à micro-ondes et fermer le tiroir.
2. Entrer la durée de cuisson durant la première étape.
3. Appuyer à plusieurs reprises sur Power Level (niveau de puissance) pour régler le niveau de puissance désiré pour la première étape. Voir "Puissance de cuisson aux micro-ondes".
4. Répéter les étapes 2 et 3 pour chaque étape additionnelle.

5. Appuyer sur Start (mise en marche).

Lorsque le programme est terminé, "END" s'affiche et la tonalité de fin de programme retentit, suivie de la tonalité de rappel.

6. Appuyer sur Stop (arrêt) ou ouvrir le tiroir pour effacer l'affichage.

REMARQUE :

- La durée de cuisson peut être rallongée par tranches de 1 minute au cours du programme en appuyant sur Add 1 Min (Ajouter 1 minute).
- Pour voir la puissance de cuisson pendant la mise en marche, appuyer sur Power Level (niveau de puissance).
- La fonction Keep Warm (maintien au chaud) peut être ajoutée même si 4 étapes ont été définies.

Mise en marche automatique

AVERTISSEMENT

Risque d'empoisonnement alimentaire

Ne pas laisser des aliments dans un four plus d'une heure avant ou après la cuisson.

Le non-respect de cette instruction peut causer un empoisonnement alimentaire ou une maladie.

La fonction de mise en marche automatique permet de programmer la mise en marche d'un programme de cuisson à une heure précise.

Utilisation du mode de mise en marche automatique :

1. Placer les aliments dans le tiroir à micro-ondes et fermer le tiroir.
2. Appuyer 4 fois sur Setup/Custom Help (réglage/aide).
3. Appuyer sur Start (mise en marche).
4. Entrer la durée de démarrage de la cuisson en heures et en minutes.
5. Appuyer sur Timer/clock (minuterie/horloge).
6. Entrer la durée de cuisson en minutes et en secondes.
7. Appuyer à plusieurs reprises sur Power Level (niveau de puissance) pour sélectionner le niveau de puissance désiré. Voir "Puissance de cuisson aux micro-ondes".
8. Appuyer sur Start (mise en marche).
Lorsque le programme est terminé, "END" s'affiche et la tonalité de fin de programme retentit, suivie de la tonalité de rappel.
9. Appuyer sur Stop (arrêt) ou ouvrir le tiroir pour effacer l'affichage.

Réglage du degré de cuisson

Le degré de cuisson peut être réglé pour chaque programme de cuisson, à l'exception de Keep Warm (maintien au chaud). Durant la programmation, appuyer sur Power Level (niveau de puissance) après que les sélections d'aliments et de quantité aient été effectuées. Appuyer une fois sur Power Level pour "MORE" (plus) ou deux fois pour "LESS" (moins).

Réchauffage (sans détection)

Une minuterie et une puissance de cuisson ont été pré-réglées pour certains aliments à réchauffer. Utiliser le tableau suivant comme guide.

ALIMENT	N°	QUANTITÉ/INSTRUCTIONS
Petits pains/muffins	1	1 à 8 morceaux, 2 oz (57 g) chaque*. Placer sur une serviette de papier.
Petits pains/muffins surgelés	2	1 à 8 morceaux, 2 oz (57 g) chaque*. Placer sur une serviette de papier.

*Pour des pains plus petits, compter 2 petits pains comme 1 seul morceau. Pour des petits pains plus gros ou réfrigérés, 1 petit pain peut être compté comme 2 morceaux.

Utilisation de la fonction de réchauffage :

1. Placer les aliments dans le tiroir à micro-ondes et fermer le tiroir.
2. Appuyer sur Reheat (réchauffage).
3. Sélectionner l'aliment en entrant le nombre (voir le tableau et/ou l'étiquette du guide de cuisson).
4. Entrer la quantité. Le degré de cuisson peut être ajusté à ce moment-là en appuyant sur Power Level (niveau de puissance).
5. Appuyer sur Start (mise en marche).
Lorsque le programme est terminé, "END" s'affiche et la tonalité de fin de programme retentit, suivie de la tonalité de rappel.
6. Appuyer sur Stop (arrêt) ou ouvrir le tiroir pour effacer l'affichage.

Centre de boissons

La fonction Beverage Center vous permet de réchauffer le café ou le thé pour le restaurer à une température de consommation plus appropriée, ou pour faire du café instantané ou du thé.

ALIMENT	N°	QUANTITÉ/INSTRUCTIONS
Réchauffer une boisson	1	0,5 à 2 tasses (125 à 500 mL). Choisir une durée de cuisson en appuyant sur le chiffre 1 pour chaque 0,5 tasse. Par exemple, pour 1 tasse de café, appuyer sur 1 deux fois.
Hot water (eau chaude)	2	1 à 6 tasses (250 à 1 500 mL). Utiliser ce réglage pour chauffer l'eau froide du robinet à une température inférieure au point d'ébullition pour faire du café ou du thé instantané. Choisir la durée de cuisson en appuyant sur le chiffre 2 pour chaque 1 tasse d'eau. Par exemple, pour 2 tasses de café, appuyer sur 2 deux fois.

Utilisation du centre de boissons :

1. Placer le récipient avec boisson ou eau dans le tiroir à micro-ondes et fermer le tiroir.
2. Appuyer sur la touche Beverage Center (centre de boissons).
3. Appuyer sur 1 pour réchauffer la boisson refroidie, ou sur 2 pour chauffer l'eau pour le café ou le thé.
4. Sélectionner la quantité en appuyant de nouveau sur 1 ou 2 (selon la sélection) jusqu'à ce que la quantité correcte soit atteinte.
Le degré de cuisson peut être ajusté à ce moment-là en appuyant sur Power Level (niveau de puissance).
5. Appuyer sur Start (mise en marche).

Décongeler

Pour la décongélation, on peut utiliser la caractéristique de décongélation automatique ou régler la décongélation manuellement sur le tiroir à micro-ondes.

- Déballer les aliments et enlever les couvercles (des contenants à jus de fruit par exemple) avant la décongélation.
- Les paquets peu épais décongèlent plus rapidement que les morceaux épais.
- Séparer dès que possible les morceaux d'aliments pendant le programme ou à la fin pour une décongélation plus uniforme.
- Lors de l'utilisation de récipients en plastique du congélateur, ne décongeler les aliments que suffisamment longtemps pour pouvoir les retirer du récipient afin de les placer dans un plat allant au four à micro-ondes.
- Utiliser de petits morceaux de papier d'aluminium pour protéger les aliments comme les ailes et pilons de poulet, ainsi que les queues de poisson. Voir d'abord "Papier d'aluminium et métal".

La fonction de décongélation automatique ne doit pas être utilisée pour des aliments laissés hors du congélateur plus de 20 minutes et les plats cuisinés surgelés.

Une minuterie et une puissance de cuisson ont été pré-réglées pour certains aliments à décongeler. Utiliser le tableau suivant comme guide.

ALIMENT	N°	QUANTITÉ/INSTRUCTIONS
Viande hachée	1	0,5 à 2,0 lb (227 à 907 g). Enlever l'emballage et placer la viande dans un plat allant au four à micro-ondes. Ne pas couvrir.
Steaks/côtelettes	2	0,5 à 3,0 lb (227 g à 1,4 kg). Enlever l'emballage et placer la viande dans un plat allant au four à micro-ondes. Ne pas couvrir.
Volaille désossée	3	0,5 à 2,0 lb (227 à 907 g). Enlever l'emballage et placer la viande dans un plat allant au four à micro-ondes. Ne pas couvrir.
Volaille, avec os	4	0,5 à 3,0 lb (227 g à 1,4 kg). Enlever l'emballage et placer la volaille, poitrine vers le haut, dans un plat allant au four à micro-ondes. Ne pas couvrir.
Rôti	5	2,0 à 4,0 lb (907 g à 1,8 kg). Enlever l'emballage et placer le rôti gras vers le bas dans un plat allant au four à micro-ondes. Après chaque étape, retourner le rôti et couvrir les parties chaudes avec du papier d'aluminium. Laisser reposer, couvert, pendant 30 à 60 minutes.
Mets en sauce/soupes	6	1 à 6 tasses (250 mL à 1,5 L). Enlever l'emballage et placer les mets en sauce/soupes dans un plat allant au four à micro-ondes. Ne pas couvrir.

Utilisation de la commande pour décongeler :

1. Placer les aliments sans les couvrir dans le tiroir à micro-ondes et fermer le tiroir.
2. Appuyer sur Defrost (décongeler).
3. Sélectionner l'aliment en entrant le nombre (voir le tableau et/ou l'étiquette du guide de cuisson).
4. Saisir le poids dans les dixièmes de livre pour la viande ou la volaille, ou saisir le volume dans des tasses pour Mets en sauce/soupes. Voir le tableau pour les limites de quantité.
Le degré de cuisson peut être ajusté à ce moment-là en appuyant sur Power Level (niveau de puissance).
5. Appuyer sur Start (mise en marche). Le compte à rebours de la décongélation s'affiche.
Durant la décongélation, les signaux sonores indiquent le moment venu d'inspecter, de retourner, de réarranger ou de séparer les aliments. Ouvrir le tiroir, retourner les aliments si nécessaire, fermer la porte et appuyer sur Start pour poursuivre la décongélation.
Lorsque le programme est terminé, "LET STAND COVERED" (couvrir l'aliment et le laisser reposer) apparaît sur l'afficheur, et les signaux de fin de programme sont émis, suivis de signaux de rappel.
6. Appuyer sur Stop (arrêt) ou ouvrir le tiroir pour effacer l'affichage.

Pour décongeler manuellement : Suivre les instructions de la section "Cuisson manuelle", et régler la puissance de cuisson à 30 %. Voir le tableau "Puissance de cuisson des micro-ondes".

Maintien au chaud

AVERTISSEMENT

Risque d'empoisonnement alimentaire

Ne pas laisser des aliments dans un four plus d'une heure avant ou après la cuisson.

Le non-respect de cette instruction peut causer un empoisonnement alimentaire ou une maladie.

Les aliments cuits chauds peuvent être gardés chauds dans le tiroir à micro-ondes. La fonction de maintien au chaud peut être utilisée seule, ou être programmée pour suivre un programme de cuisson manuel.

- Couvrir les aliments qui étaient couverts pendant la cuisson.
- Pour un résultat optimal, ne pas couvrir les produits de boulangerie comme les pâtisseries, tartes, chaussons, etc.
- La fonction Keep Warm (maintien au chaud) ne peut pas être utilisée avec Sensor Popcorn (maïs éclaté avec détection), Sensor Reheat (réchauffage avec détection), Sensor Cook (cuisson par détection), Defrost (décongélation) ou Reheat (réchauffage).

Utilisation :

1. Placer les aliments cuits encore chauds dans le tiroir à micro-ondes et fermer le tiroir.
2. Appuyer sur Keep Warm (maintien au chaud).
3. Entrer la durée de maintien au chaud en minutes et en secondes, jusqu'à 30 minutes.
4. Appuyer sur Start (mise en marche). L'afficheur présente le compte à rebours de la durée de maintien au chaud. "Keep Warm" (maintien au chaud) apparaît sur l'affichage de façon intermittente au cours du compte à rebours. Lorsque le programme est terminé, "END" s'affiche et la tonalité de fin de programme retentit, suivie de la tonalité de rappel.
5. Appuyer sur Stop (arrêt) ou ouvrir le tiroir pour effacer l'affichage.

Pour ajouter à la fin du programme de cuisson : Appuyer sur Keep Warm pendant que l'on règle un programme de cuisson manuel avant d'appuyer sur Start.

Faire fondre/ramollir/faire chauffer

Les fonctions Melt (faire fondre), Soften (ramollir) et Warm (faire chauffer) déterminent automatiquement la durée de chauffage correct et le niveau de puissance des micro-ondes pour faire fondre, ramollir et réchauffer les aliments présentés dans le tableau ci-dessous.

ALIMENT	N°	QUANTITÉ/INSTRUCTIONS
Faire fondre		
Beurre	1	Placer du beurre dans un plat allant au four à micro-ondes, recouvrir d'une pellicule de plastique. 2 c. à soupe (30 mL) ou 1/2 tasse (125 mL). Après l'appui sur MELT (faire fondre), appuyer sur 1 deux fois pour 2 c. à soupe (30 mL), ou trois fois pour 1/2 tasse (125 mL).
Chocolat	2	1 tasse (250 mL) de grains ou 1 carré. Après l'appui sur MELT (faire fondre), appuyer sur 2 deux fois pour 1 tasse (250 mL) de grains, ou trois fois pour 1 carré.
Ramollir		
Crème glacée	1	Ne PAS couvrir. 1 chopine (0,5 L) ou 1/2 gallon (2 L). Après l'appui sur SOFTEN (ramollir), appuyer sur 1 deux fois pour 1 chopine (0,5 L), ou trois fois pour 1/2 gallon (2 L).
Fromage à la crème	2	3 oz (85 g) ou 8 oz (225 g). Après l'appui sur SOFTEN (ramollir), appuyer sur 2 deux fois pour 3 oz (85 g), ou trois fois pour 8 oz (225 g).
Faire chauffer		
Sirop	1	Placer l'aliment dans un plat allant au four à micro-ondes. Ne pas couvrir. 1/4 tasse (63 mL) ou 1/2 tasse (125 mL). Après l'appui sur WARM (faire chauffer), appuyer sur 1 deux fois pour 1/4 tasse (63 mL), ou trois fois pour 1/2 tasse (125 mL).
Garnitures à dessert	2	1/4 tasse (63 mL) ou 1/2 tasse (125 mL). Après l'appui sur WARM (faire chauffer), appuyer sur 2 deux fois pour 1/4 tasse (63 mL), ou trois fois pour 1/2 tasse (125 mL).

Pour utiliser les fonctions Melt (faire fondre), Soften (ramollir) ou Warm (faire chauffer) :

1. Placer les aliments dans le tiroir à micro-ondes et fermer le tiroir.
2. Sélectionner Melt (faire fondre), Soften (ramollir) ou Warm (faire chauffer) selon l'aliment.
3. Sélectionner l'aliment en entrant le nombre qui lui correspond (voir le tableau ci-dessous).
4. Sélectionner la quantité en appuyant de nouveau sur 1 ou 2 (selon la sélection) jusqu'à ce que la quantité correcte soit atteinte.
Le degré de cuisson peut être ajusté à ce moment-là en appuyant sur Power Level (niveau de puissance).
5. Appuyer sur Start (mise en marche).

Renseignement sur la cuisson par détection

Un capteur dans le tiroir à micro-ondes détecte l'humidité dégagée par l'aliment au fur et à mesure qu'il chauffe et règle automatiquement la durée de cuisson en conséquence.

Plusieurs programmes de détection nécessitent de couvrir les aliments. Des contenants allant au four à micro-ondes ou des cuits-vapeur avec des couvercles non hermétiques sont recommandés. Le couvercle non hermétique permettra l'évacuation de vapeur en quantité suffisante pour être détectée par le capteur. Lorsqu'on recouvre les aliments de pellicule plastique, s'assurer de laisser une ouverture d'aération suffisamment grande pour permettre à la vapeur de s'échapper.

Les options de cuisson par détection incluent Sensor Popcorn (maïs éclaté avec détection), Sensor Cook (cuisson par détection) et Sensor Reheat (réchauffage avec détection)

REMARQUE :

- Le tiroir à micro-ondes doit être branché pendant au moins 3 minutes avant d'utiliser un réglage de détection.
- La cavité du tiroir à micro-ondes et l'extérieur du contenant de cuisson doivent être secs.
- La température ambiante ne doit pas être supérieure à 95 °F (35 °C).
- Une fois que le programme de détection commence, le nom de l'aliment apparaît à l'écran. Si le tiroir est ouvert pendant cette durée, la détection s'arrête et le programme est annulé. Lorsque la détection est terminée, une durée restante apparaît à l'écran. Une fois l'heure affichée, l'on peut ouvrir le tiroir pour remuer ou assaisonner les aliments, si désiré.
- Vérifier la température de l'aliment après la fin du programme. Si du temps supplémentaire est requis, poursuivre la cuisson en utilisant les réglages manuels.
- Sauf lors de l'utilisation de la fonction Sensor Popcorn (maïs avec détection), si le capteur ne détecte pas correctement l'humidité, "ERROR" (erreur) s'affiche et le tiroir à micro-ondes s'éteint.
- Le capteur fonctionne avec les aliments à une température normale d'entreposage. Si l'aliment est gelé, il ne doit pas être décongelé avant d'utiliser un programme de détection.

Réchauffage avec détection

Le capteur dans le tiroir à micro-ondes détermine le temps de réchauffage en fonction du poids des aliments à réchauffer.

Le réchauffage avec détection détecte l'humidité et réchauffe les aliments de 4 à 36 oz (113 à 1 020 g).

Utilisation du réchauffage avec détection :

1. Placer les aliments dans le tiroir à micro-ondes en les couvrant mais pas hermétiquement afin que l'air puisse circuler, et fermer le tiroir.
2. Appuyer sur Sensor Reheat (réchauffage avec détection).
3. Appuyer sur Start (mise en marche).

Lorsque le programme est terminé, "LET STAND COVERED" (couvrir l'aliment et le laisser reposer) apparaît sur l'afficheur, et les signaux de fin de programme sont émis, suivis de signaux de rappel.

4. Appuyer sur Stop (arrêt) ou ouvrir le tiroir pour effacer l'affichage.

Maïs éclaté avec détection

Le capteur du tiroir à micro-ondes détermine la durée d'éclatement appropriée en fonction des emballages commerciaux de maïs à éclater pour micro-ondes. Cette fonction est programmée pour détecter la durée d'éclatement pour des sachets de maïs à éclater de 3,5 oz (99 g), 3 oz (85 g) et 1,75 oz (50 g).

REMARQUE : Durant la fonction Maïs éclaté, tout comme avec les autres fonctions de cuisson du four à micro-ondes, le tiroir à micro-ondes doit être surveillé en permanence. Attendre que l'éclatement ralentisse à 1 éclatement toutes les 1 ou 2 secondes, puis mettre fin au programme.

- Afin d'éviter d'endommager le tiroir à micro-ondes, ne pas utiliser de sacs en papier ordinaire ou d'articles en verre.
- Ne préparer qu'un sac de maïs à éclater à la fois.
- Suivre les instructions du fabricant lors de l'utilisation d'un éclateur de maïs pour four à micro-ondes.
- Pour des résultats de cuisson optimaux, ne pas tenter de faire éclater les grains qui n'ont pas éclaté.
- Utiliser des sacs de maïs soufflés frais pour des résultats optimaux.
- Les résultats de cuisson peuvent varier en fonction de la marque et de la teneur en matières grasses. Pour des sacs dont les dimensions ne figurent pas dans cette section, suivre les indications de l'emballage.
- Les résultats de cuisson peuvent varier selon la façon dont le sac est placé dans le tiroir du four à micro-ondes. Essayer de changer la position du sac pour obtenir de meilleurs résultats.

Utilisation de la fonction Popcorn (maïs éclaté) avec détection :

1. Placer le sac de maïs à éclater dans le tiroir à micro-ondes et fermer le tiroir.
2. Appuyer une fois sur Sensor Popcorn (maïs éclaté avec détection) pour cuisson normale (2,85 à 3,5 oz [81 à 99 g]), ou deux fois pour collation (1,2 à 1,6 oz [34 à 45 g]).
Le degré de cuisson peut être ajusté à ce moment-là en appuyant sur Power Level (niveau de puissance).
3. Appuyer sur Start (mise en marche).
Lorsque le programme est terminé, "END" s'affiche et la tonalité de fin de programme retentit, suivie de la tonalité de rappel.
4. Appuyer sur Stop (arrêt) ou ouvrir le tiroir pour effacer l'affichage.

Cuisson par détection

Le capteur dans le tiroir à micro-ondes détecte l'humidité dégagée par l'aliment et règle automatiquement une durée de cuisson basée sur la catégorie d'aliment sélectionnée.

REMARQUE : En couvrant les aliments, s'assurer que l'ouverture d'échappement de l'air est suffisante pour que l'humidité puisse s'échapper. Ceci permettra au capteur de déterminer précisément la durée de cuisson.

Utiliser le tableau suivant comme guide pour la cuisson par détection.

ALIMENT	N°	QUANTITÉ	INSTRUCTIONS
Légumes frais : cuisson rapide	1	0,25 à 2 lb (113 à 907 g)	Les rincer et les placer dans un récipient résistant au four à micro-ondes. Couvrir d'un couvercle pour obtenir des légumes tendres. Couvrir d'une pellicule en plastique ventilée pour obtenir des légumes croustillants. Remuer et laisser reposer, couvert, pendant 2 à 5 minutes après la cuisson.
Légumes frais : cuisson plus longue	2	0,25 à 1,5 lb (113 à 680 g)	Les placer dans un contenant pour micro-ondes et ajouter 1 à 4 c. à soupe (30 à 60 mL) d'eau. Couvrir d'un couvercle pour obtenir des légumes tendres. Couvrir d'une pellicule en plastique ventilée pour obtenir des légumes croustillants. Remuer et laisser reposer, couvert, pendant 2 à 5 minutes après la cuisson.
Légumes surgelés	3	0,25 à 1,25 lb (113 à 567 g)	Sortir les aliments de l'emballage. Placer dans un plat allant au four à micro-ondes. Ne pas ajouter de l'eau. Couvrir d'un couvercle ou d'une pellicule en plastique et laisser une ouverture de ventilation. Remuer et laisser reposer, couvert, pendant 2 à 3 minutes après la cuisson.
Plats surgelés	4	6 à 17 oz (170 à 482 g)	Retirer de l'emballage extérieur et suivre les instructions de l'emballage pour couvrir. Si le plat ne se trouve pas dans un contenant pour micro-ondes, le placer sur une assiette, le couvrir d'une pellicule de plastique et laisser une ouverture d'échappement de l'air.
Pommes de terre au four Patates	5 6	1 à 6 moyennes, 10 à 13 oz (283 à 369 g) chacune	Percer plusieurs fois chaque pomme de terre avec une fourchette. Les placer sur une feuille d'essuie-tout, à au moins 1 po (2,5 cm) de distance. Après la cuisson, retirer du tiroir à micro-ondes, recouvrir de papier d'aluminium et laisser reposer de 5 à 10 minutes.
Viande hachée	7	0,25 à 2 lb (113 à 907 g)	Émietter la viande dans un récipient allant au four à micro-ondes. Recouvrir d'une pellicule en plastique et laisser une ouverture d'échappement de l'air. Le tiroir à micro-ondes s'arrêtera à mi-chemin durant la cuisson; remuer, recouvrir et appuyer sur START pour reprendre la cuisson. Une fois la cuisson terminée, remuer et laisser reposer pendant 2 à 3 minutes. Placer les galettes sur une grille pour four à micro-ondes et couvrir avec du papier paraffiné. Le tiroir à micro-ondes s'arrêtera à mi-chemin durant la cuisson; retourner les galettes, recouvrir et appuyer sur Start pour reprendre la cuisson. Laisser reposer 2 à 3 minutes après la cuisson.
Poisson/fruits de mer	8	0,25 à 2 lb (113 à 907 g)	Filets minces et crevettes : placer dans une assiette ou un plat allant au four à micro-ondes avec des rebords peu élevés. Recouvrir d'une pellicule en plastique et laisser une ouverture d'échappement de l'air. Filets épais et steaks : placer dans un plat allant au four à micro-ondes. Recouvrir d'une pellicule en plastique et laisser une ouverture d'échappement de l'air. Ajuster le degré de cuisson à "MORE" (plus).
Riz blanc Riz brun	9 10	0,5 à 2 tasses (125 à 500 mL) de riz à grain moyen ou à long grain	Utiliser les quantités d'ingrédients indiquées sur l'emballage. Placer le riz et le liquide (voir le tableau ci-dessous) dans un bol ou un plat profond allant au four à micro-ondes. Couvrir d'un couvercle non hermétique ou d'une pellicule en plastique. Laisser reposer 5 minutes après la cuisson, ou jusqu'à absorption du liquide. Remu

Utilisation de la cuisson avec détection :

- Placer les aliments dans le tiroir à micro-ondes en les couvrant mais pas hermétiquement afin que l'air puisse circuler, et fermer le tiroir.
- Appuyer sur Sensor Cook.
- Sélectionner l'aliment en entrant le nombre qui lui correspond (voir le tableau ou l'étiquette du guide de cuisson). Voir le tableau pour les limites de quantité.

Le degré de cuisson peut être ajusté à ce moment-là en appuyant sur Power Level (niveau de puissance).

- Appuyer sur Start (mise en marche).

Il est possible que le programme fasse une interruption pour permettre de retourner ou de remuer les aliments. Remuer ou retourner les aliments, puis appuyer sur Start pour poursuivre la cuisson.

Lorsque le programme est terminé, les signaux sonores de fin de programme retentissent, suivis de signaux de rappel.

- Appuyer sur Stop (arrêt) ou ouvrir le tiroir pour effacer l'affichage.

ENTRETIEN DU TIROIR À MICRO-ONDES

Nettoyage général

IMPORTANT : Avant le nettoyage, s'assurer que toutes les commandes sont désactivées et que le tiroir à micro-ondes est froid. Toujours suivre les instructions figurant sur les étiquettes des produits de nettoyage.

L'usage de savon, d'eau et d'un chiffon doux ou d'une éponge est suggéré, sauf indication contraire.

Cavité du tiroir à micro-ondes

Afin d'éviter d'endommager la cavité du tiroir à micro-ondes, ne pas utiliser de tampons à récurer savonneux, de nettoyants abrasifs, de tampons en laine d'acier, de chiffons de lavage rêches ou certains essuie-tout.

Pour éviter d'endommager les modèles en acier inoxydable, frotter dans le sens du grain.

La zone de contact de la porte et du cadre du tiroir, quand la porte est fermée, doit être maintenue propre.

Saleté moyenne

- Savons et détergents doux, non abrasifs :
Rincer à l'eau propre et sécher avec un chiffon doux sans charpie.

Saleté tenace

- Savons et détergents doux, non abrasifs :
Faire chauffer une tasse (250 mL) d'eau pendant 2 à 5 minutes dans le tiroir à micro-ondes. La vapeur amollira la saleté. Rincer à l'eau propre et sécher avec un chiffon doux sans charpie.

Odeurs

- Jus de citron ou vinaigre :
Faire chauffer une tasse (250 mL) d'eau avec 1 c. à soupe (15 mL) de jus de citron ou de vinaigre pendant 2 à 5 minutes dans le tiroir à micro-ondes.

Capot d'orifice du tiroir à micro-ondes

Pour éviter de créer des arcs ou d'endommager le tiroir à micro-ondes, le capot d'orifice (vois la section "Pièces et caractéristiques") devrait toujours être propre.

- L'essuyer à l'aide d'un chiffon humide.

Extérieur du tiroir à micro-ondes

La zone de contact de la porte et du cadre du tiroir, quand la porte est fermée, doit être maintenue propre.

- Savons et détergents doux, non abrasifs :
Rincer à l'eau propre et sécher avec un chiffon doux sans charpie.
- Nettoyant à vitre et serviette de papier ou tampon à récurer non abrasif en plastique :
Vaporiser du nettoyant à vitre sur la serviette, pas directement sur la surface.

Acier inoxydable (sur certains modèles)

Afin d'éviter d'endommager l'extérieur et la porte du tiroir à micro-ondes, ne pas utiliser de tampons à récurer savonneux, de nettoyants abrasifs, de tampons en laine d'acier, de chiffons de lavage rêches ou certains essuie-tout. Frotter dans le sens du grain.

- Nettoyant et poli pour acier inoxydable (non inclus) :
Voir la section "Assistance ou service" pour commander.
- Détergent liquide ou nettoyant tout usage :
Rincer à l'eau propre et sécher avec un chiffon doux sans charpie.
- Vinaigre pour les taches d'eau dure.

Tableau de commande

- Éponge ou chiffon doux et eau :
Mouiller l'éponge et essuyer le panneau. Sécher à l'aide d'un chiffon doux.
- Afin d'éviter d'endommager le tableau de commande, ne pas utiliser de nettoyants chimiques ou abrasifs.

Glissières du tiroir à micro-ondes

Pour que le tiroir puisse toujours s'ouvrir et se fermer facilement, enlever les miettes des glissières et nettoyer souvent.

- Sécher avec un chiffon doux.

DÉPANNAGE

Essayez d'abord les solutions suggérées ici. Pour obtenir de l'aide ou des conseils qui permettront peut-être d'éviter une intervention de dépannage, consultez la page de garantie de ce manuel, ou visitez le site Web <http://producthelp.jennair.com>. Au Canada, visitez le site Web <http://www.jennair.ca>.

Il est possible d'adresser ses commentaires ou questions par courrier à l'adresse ci-dessous :

Aux États-Unis :

JennAir Brand Home Appliances
Customer eXperience Center
553 Benson Road
Benton Harbor, MI 49022-2692

Au Canada :

JennAir Brand Home Appliances
Customer eXperience Centre
200 – 6750 Century Ave.
Mississauga, Ontario L5N 0B7

Veuillez indiquer dans votre correspondance un numéro de téléphone où l'on peut vous joindre dans la journée.

Problème	Causes et solutions possibles
Rien ne fonctionne	Un fusible est grillé ou un disjoncteur s'est déclenché : Remplacer le fusible ou réenclencher le disjoncteur. Si le problème persiste, appeler un électricien.
Le tiroir à micro-ondes ne fonctionne pas	Le magnétron ne fonctionne pas correctement : Essayer de chauffer 1 tasse (250 mL) d'eau froide pendant 2 minutes à la puissance de cuisson maximale. Si l'eau ne chauffe pas, essayer les étapes ci-dessous. Si le tiroir à micro-ondes ne fonctionne toujours pas, faire un appel de service. Voir la section "Assistance ou service". Les commandes électroniques du tiroir à micro-ondes ne sont pas réglées correctement : Voir la section "Commandes du tiroir à micro-ondes". Le verrouillage des commandes est activé (sur certains modèles) : Voir la section "Verrouillage des commandes". Le mode de démonstration est activé (sur certains modèles) : Voir la section "Mode de démonstration".
Le tiroir à micro-ondes bourdonne	Ceci est normal et se produit lorsque l'alimentation électrique allume et éteint le magnétron par intermittence.
Le devant du tiroir à micro-ondes semble gondolé	Ceci est normal et n'affecte pas la performance.
L'écran affiche "ERROR" (erreur) pendant la cuisson par détection	Le capteur ne détecte pas d'humidité. Vérifier les aliments et le couvercle, puis recommencer le programme. Voir la section "Cuisson avec détection".
Le ventilateur est plus lent qu'à l'habitude	Le tiroir à micro-ondes a été stocké dans un entrepôt froid : Le ventilateur fonctionnera plus lentement jusqu'à ce que le tiroir à micro-ondes se réchauffe à la température ambiante normale.
Les durées de cuisson semblent trop longues	La puissance de cuisson n'est pas réglée correctement : Voir la section "Puissance de cuisson aux micro-ondes". Des aliments en grande quantité sont chauffés : Les aliments en plus grande quantité nécessitent des durées de cuisson plus longues.
Brouillage par une radio, un téléviseur, un téléphone sans fil, etc.	Le récepteur radio ou de télévision est près du tiroir à micro-ondes : Déplacer le récepteur loin du tiroir à micro-ondes ou régler l'antenne radio ou l'antenne TV. La porte du tiroir à micro-ondes et les surfaces d'étanchéité sont sales : S'assurer que ces endroits sont propres. La fréquence du téléphone sans fil est de 2,4 GHz : Certains téléphones sans fil de 2,4 GHz et certains réseaux domestiques sans fil peuvent subir des parasites ou des bruits lorsque le four à micro-ondes est en marche. Utiliser un téléphone avec fil, un téléphone sans fil avec une fréquence différente ou éviter d'utiliser ces appareils pendant le fonctionnement du tiroir à micro-ondes.

ASSISTANCE OU DÉPANNAGE

Si vous avez besoin de service

Consultez la page de garantie du présent manuel.

Si vous avez besoin de pièces de rechange

Pour commander des pièces de rechange, nous vous recommandons d'utiliser seulement des pièces spécifiées par l'usine. Les pièces de rechange spécifiées par l'usine fonctionneront bien parce qu'elles sont fabriquées selon la même précision que celle utilisée pour fabriquer chaque nouvel appareil JennAir®.

Pour savoir où trouver des pièces d'usine spécifiques dans votre région, appelez-nous ou contactez le centre de service désigné par JennAir le plus proche.

Aux É.-U.

Appelez sans frais au Centre pour l'eXpérience de la clientèle au : **1-800-JENNAIR (1-800-536-6247)**.

Nos conseillers peuvent vous aider sur les points suivants :

- Caractéristiques et spécifications de notre gamme complète d'appareils ménagers.
- Renseignements sur l'installation.
- Procédures d'utilisation et d'entretien.
- Vente de pièces de rechange.
- Assistance spécialisée au client (langue espagnole, malentendants, malvoyants, etc.).
- Orientation vers des concessionnaires, compagnies de service de réparation et distributeurs de pièces de rechange locaux. Les techniciens de service désignés par JennAir sont formés pour remplir la garantie de produit et fournir un service après garantie partout aux États-Unis.

Pour localiser la compagnie de service désignée par JennAir dans votre région, vous pouvez également consulter les Pages jaunes.

Pour de l'aide supplémentaire

Si vous avez besoin de plus d'assistance, vous pouvez soumettre par écrit toute question ou préoccupation à l'adresse suivante :

JennAir Brand Home Appliances
Customer eXperience Center
553 Benson Road
Benton Harbor, MI 49022-2692

Veillez indiquer dans votre correspondance un numéro de téléphone où l'on peut vous joindre dans la journée.

Au Canada

Appelez sans frais au Centre pour l'eXpérience de la clientèle canadienne de JennAir au : **1-800-JENNAIR (1-800-536-6247)**.

Nos conseillers peuvent vous aider sur les points suivants :

- Procédures d'utilisation et d'entretien.
- Vente de pièces de rechange.
- Orientation vers des concessionnaires, compagnies de service de réparation et distributeurs de pièces de rechange locaux. Les techniciens de service désignés par JennAir sont formés pour remplir la garantie des produits et fournir un service après la garantie, partout au Canada.

Pour de l'aide supplémentaire

Si vous avez besoin de plus d'assistance, vous pouvez soumettre par écrit toute question ou préoccupation à l'adresse suivante :

JennAir Brand Home Appliances
Customer eXperience Centre
200 – 6750 Century Ave.
Mississauga, ON L5N 0B7

Veillez indiquer dans votre correspondance un numéro de téléphone où l'on peut vous joindre dans la journée.

GARANTIE DES APPAREILS DE CUISSON JENNAIR®

ATTACHEZ ICI VOTRE REÇU DE VENTE. UNE PREUVE D'ACHAT EST OBLIGATOIRE POUR OBTENIR L'APPLICATION DE LA GARANTIE.

Lorsque vous appelez le centre d'eXpérience de la clientèle, veuillez garder à disposition les renseignements suivants :

- Nom, adresse et numéro de téléphone
- Numéros de modèle et de série
- Une description claire et détaillée du problème rencontré
- Une preuve d'achat incluant le nom et l'adresse du marchand ou du détaillant

SI VOUS AVEZ BESOIN DE SERVICE :

1. Avant de nous contacter pour obtenir un dépannage, veuillez déterminer si des réparations sont nécessaires pour votre produit. Certains problèmes peuvent être résolus sans intervention de dépannage. Prenez quelques minutes pour parcourir la section Dépannage du guide d'utilisation et d'entretien, ou rendez-vous sur le site jennair.ca.
2. Tout service sous garantie doit être effectué exclusivement par nos fournisseurs de dépannage autorisés JennAir. Aux É.-U. et au Canada, dirigez toutes vos demandes de service sous garantie au :

Centre d'eXpérience de la clientèle JennAir
1 800 JENNAIR (1 800 536-6247).

Si vous résidez à l'extérieur du Canada et des 50 États des États-Unis, contactez votre marchand JennAir autorisé pour déterminer si une autre garantie s'applique.

GARANTIE LIMITÉE DE DEUX ANS

CE QUI EST COUVERT

Pendant deux ans à compter de la date d'achat, lorsque ce gros appareil ménager est installé, utilisé et entretenu conformément aux instructions jointes à ou fournies avec le produit, la marque JennAir de Whirlpool Corporation ou Whirlpool Canada, LP (ci-après désignées "JennAir") décidera à sa seule discrétion de remplacer le produit ou de couvrir le coût des pièces spécifiées par l'usine et de la main-d'oeuvre nécessaires pour corriger les vices de matériaux ou de fabrication qui existaient déjà lorsque ce gros appareil ménager a été acheté. S'il est remplacé, l'appareil sera couvert pour la période restant à couvrir de la garantie limitée d'un an du produit d'origine.

LE SEUL ET EXCLUSIF RECOURS DU CLIENT DANS LE CADRE DE LA PRÉSENTE GARANTIE LIMITÉE CONSISTE EN LA RÉPARATION PRÉVUE PAR LA PRÉSENTE. Le service doit être fourni par une compagnie de service désignée par JennAir. Cette garantie limitée est valide uniquement aux États-Unis ou au Canada et s'applique exclusivement lorsque le gros appareil ménager est utilisé dans le pays où il a été acheté. La présente garantie limitée est valable à compter de la date d'achat initial par le consommateur. Une preuve de la date d'achat initial est exigée pour obtenir un dépannage dans le cadre de la présente garantie limitée.

CE QUI N'EST PAS COUVERT

1. Usage commercial, non résidentiel ou par plusieurs familles, ou non-respect des instructions de l'utilisateur, de l'opérateur ou d'installation.
2. Visite d'instruction à domicile pour montrer à l'utilisateur comment utiliser l'appareil.
3. Visites de service pour rectifier une installation ou un entretien fautifs du produit, une installation non conforme aux codes d'électricité ou de plomberie ou la rectification de l'installation électrique ou de la plomberie du domicile (ex : câblage électrique, fusibles ou tuyaux d'arrivée d'eau du domicile).
4. Pièces consommables (ex : ampoules, batteries, filtres à air ou à eau, solutions de conservation).
5. Défauts ou dommages résultant de l'utilisation de pièces ou accessoires autres que d'origine JennAir.
6. Conversion de votre produit du gaz naturel ou du gaz propane.
7. Dommages causés par : accident, mauvaise utilisation, abus, incendie, inondations, catastrophe naturelle ou utilisation de produits non approuvés par JennAir.
8. Réparations aux pièces ou systèmes dans le but de rectifier un dommage ou des défauts résultant d'une réparation, altération ou modification non autorisée faite à l'appareil.
9. Défauts d'apparence, notamment les éraflures, traces de choc, fissures ou tout autre dommage causés au fini de l'appareil ménager, à moins que ces dommages ne résultent de vices de matériaux ou de fabrication et ne soient signalés à JennAir dans les 30 jours suivant la date d'achat.
10. Décoloration, rouille ou oxydation des surfaces résultant d'environnements caustiques ou corrosifs incluant des concentrations élevées de sel, un haut degré d'humidité ou une exposition à des produits chimiques.
11. Perte d'aliments ou de médicaments due à la défaillance du produit.
12. Enlèvement ou livraison. Ce produit est conçu pour être réparé au domicile.
13. Frais de déplacement et de transport pour le dépannage/la réparation dans une région éloignée où une compagnie de service JennAir autorisée n'est pas disponible.
14. Retrait ou réinstallation d'appareils inaccessibles ou de dispositifs préinstallés (ex : garnitures, panneaux décoratifs, plancher, meubles, îlots de cuisine, plans de travail, panneaux de gypse,) qui entravent le dépannage, le retrait ou le remplacement du produit.
15. Service et pièces pour des appareils dont les numéros de série et de modèle originaux ont été enlevés, modifiés ou ne peuvent pas être facilement identifiés.

Le coût d'une réparation ou d'un remplacement dans le cadre de ces circonstances exclues est à la charge du client.

CLAUSE D'EXONÉRATION DE RESPONSABILITÉ AU TITRE DES GARANTIES IMPLICITES

LES GARANTIES IMPLICITES, Y COMPRIS LES GARANTIES APPLICABLES DE QUALITÉ MARCHANDE OU D'APTITUDE À UN USAGE PARTICULIER, SONT LIMITÉES À DEUX ANS OU À LA PLUS COURTE PÉRIODE AUTORISÉE PAR LA LOI. Certains États et provinces ne permettent pas de limitation sur la durée des garanties implicites de qualité marchande ou d'aptitude à un usage particulier, de sorte que la limitation ci-dessus peut ne pas être applicable dans votre cas. Cette garantie vous confère des droits juridiques spécifiques et vous pouvez également jouir d'autres droits qui peuvent varier d'une juridiction à l'autre.

EXONÉRATION DE RESPONSABILITÉ DANS LES DOMAINES NON COUVERTS PAR LA GARANTIE

JennAir décline toute responsabilité au titre de la qualité, de la durabilité ou en cas de dépannage ou de réparation nécessaire sur ce gros appareil ménager autre que les responsabilités énoncées dans la présente garantie. Si vous souhaitez une garantie plus étendue ou plus complète que la garantie limitée fournie avec ce gros appareil ménager, adressez-vous à JennAir ou à votre détaillant pour obtenir les modalités d'achat d'une garantie étendue.

LIMITATION DES RECOURS; EXCLUSION DES DOMMAGES FORTUITS OU INDIRECTS

LE SEUL ET EXCLUSIF RECOURS DU CLIENT DANS LE CADRE DE LA PRÉSENTE GARANTIE LIMITÉE CONSISTE EN LA RÉPARATION PRÉVUE PAR LA PRÉSENTE. JENNAIR N'ASSUME AUCUNE RESPONSABILITÉ POUR LES DOMMAGES FORTUITS OU INDIRECTS. Certains États et certaines provinces ne permettent pas l'exclusion ou la limitation des dommages fortuits ou indirects de sorte que ces limitations et exclusions peuvent ne pas être applicables dans votre cas. Cette garantie vous confère des droits juridiques spécifiques et vous pouvez également jouir d'autres droits qui peuvent varier d'une juridiction à l'autre.

Remarques

Remarques

Remarques

Remarques

Remarques

