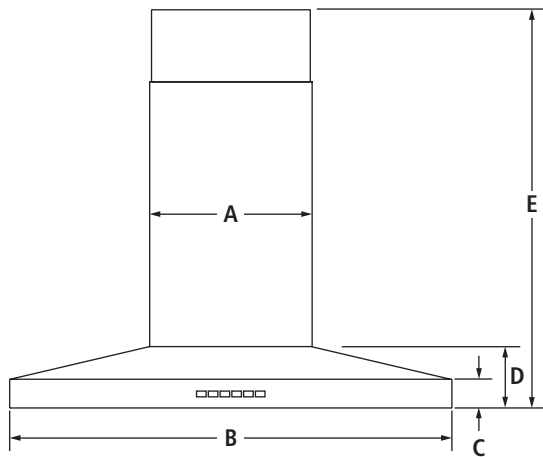


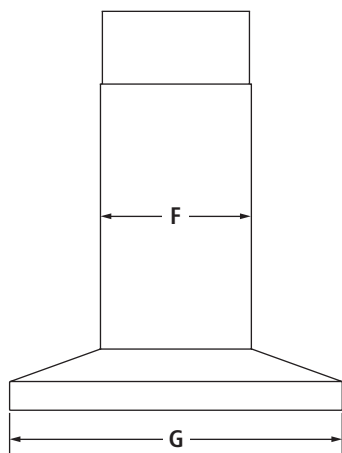
36" PYRAMID-STYLE ISLAND-MOUNT CANOPY HOOD

JXI8536DS – 36" x 32½"-52⅞" x 27

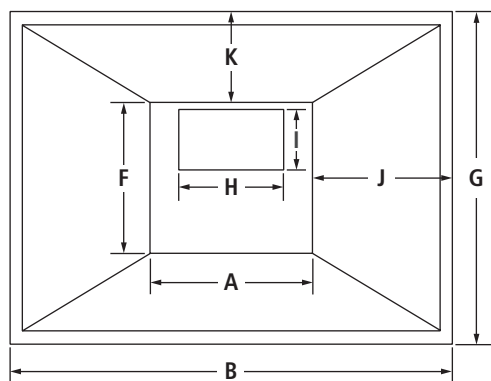
PRODUCT DIMENSIONS



FRONT VIEW



SIDE VIEW



TOP VIEW

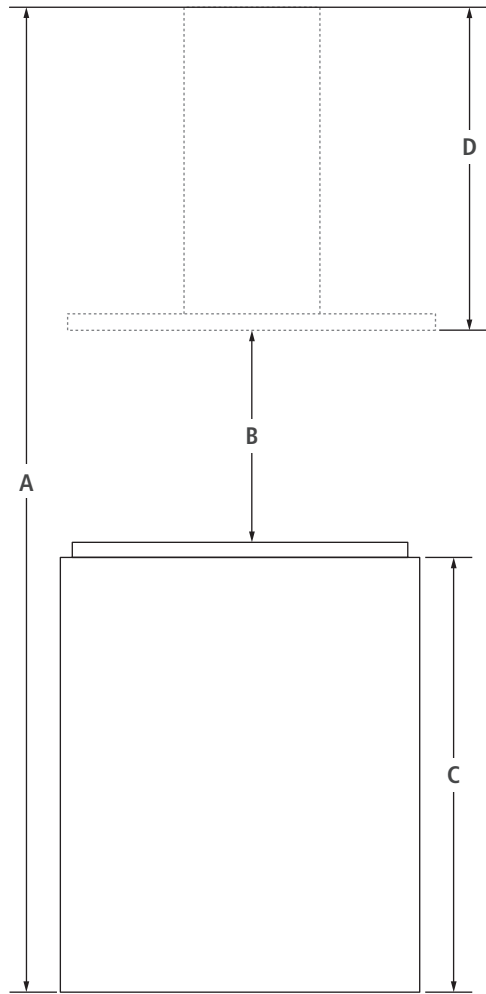
MODEL #		JXI8536DS	
		in	cm
A	Width of chimney	13⅜	33.5
B	Width of canopy	36	91.4
C	Height of trim	2⅞	6.1
D	Height of canopy	5	12.7
E	Overall height with vented installation (min.-max.)	32½-46½	82.6-118.0
	Overall height with non-vented (recirculating) installation (min.-max.)	32½-52⅞	82.6-133.5
F	Depth of chimney	12¼	31.0
G	Depth of canopy	27	68.6
H	Width of vent collar	6¼	15.8
I	Depth of vent collar	¾	9.5
J	Width from chimney to edge of canopy	11⅞	29.0
K	Depth from chimney to back edge of canopy	7⅞	18.7

IMPORTANT: Dimensional specifications are provided for planning purposes only. Do not make any cutouts based on this information. Refer to the Installation or Use & Care Guide before selecting cabinetry, verifying electrical/gas connections, making cutouts or beginning installation. All Jenn-Air® appliances are appropriately UL, CUL or CSA approved.

36" PYRAMID-STYLE ISLAND-MOUNT CANOPY HOOD

JXI8536DS – 36" x 32½"-52⅞" x 27

OPENING/CLEARANCE DIMENSIONS



FRONT VIEW

MODEL #		JXI8536DS	
		in	cm
A	Ceiling height	—	—
B	Suggested distance from hood to electric cooking surface (min.-max.)	24-36	61.0-91.4
	Suggested distance from hood to gas cooking surface (min.-max.)	27-36	68.6-91.4
C	Countertop height	—	—
D	Height from bottom of hood to ceiling (A – B – C = D)	—	—

ELECTRICAL REQUIREMENTS

120 volt, 60 Hz, AC only, 15-amp fused, electrical circuit is required.

VENTING REQUIREMENTS

The hood is factory set for venting through the roof. For non-vented (recirculating) installation, refer to recirculation kit instructions for further information.

LOCATION REQUIREMENTS

Ceiling structure must be able to support 100 lb (45.4 kg).

For vented installation, the chimney can be adjusted for ceilings between 7' 9" (2.36 m) and 9' 10" (3.00 m).

For non-vented (recirculating) installation, the chimney can be adjusted for ceilings between 7' 9" (2.36 m) and 10' 4" (3.15 m).

IMPORTANT: Dimensional specifications are provided for planning purposes only. Do not make any cutouts based on this information. Refer to the Installation or Use & Care Guide before selecting cabinetry, verifying electrical/gas connections, making cutouts or beginning installation. All Jenn-Air® appliances are appropriately UL, CUL or CSA approved.