

INSTALLATION INSTRUCTIONS

36" (91.4 CM) DOWNDRAFT TOUCH-ACTIVATED ELECTRONIC INDUCTION COOKTOP

INSTRUCTIONS D'INSTALLATION

TABLE DE CUISSON PAR INDUCTION AVEC COMMANDES ÉLECTRONIQUES TACTILES À ASPIRATION VERS LE BAS DE 36" (91,4 CM)

Table of Contents/Table des matières

COOKTOP SAFETY	1	SÉCURITÉ DE LA TABLE DE CUISSON	21
INSTALLATION REQUIREMENTS	3	EXIGENCES D'INSTALLATION	23
Tools and Parts.....	3	Outillage et pièces.....	23
Location Requirements.....	3	Exigences d'emplacement.....	23
Venting Requirements.....	7	Exigences concernant l'évacuation.....	27
Electrical Requirements.....	9	Spécifications électriques.....	29
INSTALLATION INSTRUCTIONS	9	INSTRUCTIONS D'INSTALLATION	29
Prepare Cooktop.....	9	Préparation de la table de cuisson.....	29
Cooktop Mounting Brackets Installation.....	10	Installation des supports de fixation de la table de cuisson.....	30
Install Cooktop and Blower Motor Assembly.....	11	Installation de la table de cuisson et du moteur du ventilateur.....	31
Make Electrical Connection.....	16	Raccordement électrique.....	36
Complete Installation.....	19	Achever l'installation.....	39
WIRE DIAGRAM	20	SCHÉMA DE CÂBLAGE	40

COOKTOP SAFETY

Your safety and the safety of others are very important.

We have provided many important safety messages in this manual and on your appliance. Always read and obey all safety messages.



This is the safety alert symbol.

This symbol alerts you to potential hazards that can kill or hurt you and others.

All safety messages will follow the safety alert symbol and either the word "DANGER" or "WARNING."

These words mean:

⚠ DANGER

You can be killed or seriously injured if you don't immediately follow instructions.

⚠ WARNING

You can be killed or seriously injured if you don't follow instructions.

All safety messages will tell you what the potential hazard is, tell you how to reduce the chance of injury, and tell you what can happen if the instructions are not followed.

IMPORTANT:

Save for local electrical inspector's use.

IMPORTANT :

À conserver pour consultation par l'inspecteur local des installations électriques.

IMPORTANT SAFETY INSTRUCTIONS

WARNING: TO REDUCE THE RISK OF FIRE, ELECTRIC SHOCK, OR INJURY TO PERSONS, OBSERVE THE FOLLOWING:

- Use this unit only in the manner intended by the manufacturer. If you have questions, contact the manufacturer.
- Before servicing or cleaning the unit, switch power off at service panel and lock the service disconnecting means to prevent power from being switched on accidentally. When the service disconnecting means cannot be locked, securely fasten a prominent warning device, such as a tag, to the service panel.
- Installation work and electrical wiring must be done by qualified person(s) in accordance with all applicable codes and standards, including fire-rated construction.
- Do not operate any fan with a damaged cord or plug. Discard fan or return to an authorized service facility for examination and/or repair.
- Sufficient air is needed for proper combustion and exhausting of gases through the flue (chimney) of fuel burning equipment to prevent backdrafting. Follow the heating equipment manufacturer's guideline and safety standards such as those published by the National Fire Protection Association (NFPA), the American Society for Heating, Refrigeration and Air Conditioning Engineers (ASHRAE), and the local code authorities.
- When cutting or drilling into wall or ceiling, do not damage electrical wiring and other hidden utilities.
- Ducted fans must always be vented outdoors.

CAUTION: For general ventilating use only. Do not use to exhaust hazardous or explosive materials and vapors.

CAUTION: To reduce risk of fire and to properly exhaust air, be sure to duct air outside - do not vent exhaust air into spaces within walls or ceilings, attics or into crawl spaces, or garages.

WARNING: TO REDUCE THE RISK OF FIRE, USE ONLY METAL DUCTWORK.

WARNING: TO REDUCE THE RISK OF A RANGE TOP GREASE FIRE:

- Never leave surface units unattended at high settings. Boilovers cause smoking and greasy spillovers that may ignite. Heat oils slowly on low or medium settings.
- Always turn hood ON when cooking at high heat or when flambeing food (i.e. Crepes Suzette, Cherries Jubilee, Peppercorn Beef Flambé).
- Clean ventilating fans frequently. Grease should not be allowed to accumulate on fan or filter.
- Use proper pan size. Always use cookware appropriate for the size of the surface element.

WARNING: TO REDUCE THE RISK OF INJURY TO PERSONS IN THE EVENT OF A RANGE TOP GREASE FIRE, OBSERVE THE FOLLOWING:^a

- SMOTHER FLAMES with a close fitting lid, cookie sheet, or metal tray, then turn off the burner. BE CAREFUL TO PREVENT BURNS. If the flames do not go out immediately, EVACUATE AND CALL THE FIRE DEPARTMENT.
- NEVER PICK UP A FLAMING PAN - you may be burned.
- DO NOT USE WATER, including wet dishcloths or towels - a violent steam explosion will result.
- Use an extinguisher ONLY if:
 - You know you have a class ABC extinguisher, and you already know how to operate it.
 - The fire is small and contained in the area where it started.
 - The fire department is being called.
 - You can fight the fire with your back to an exit.

^aBased on "Kitchen Fire Safety Tips" published by NFPA.

- **WARNING:** To reduce the risk of fire or electrical shock, do not use this fan with any solid-state speed control device.

READ AND SAVE THESE INSTRUCTIONS

INSTALLATION REQUIREMENTS

Tools and Parts

Gather the required tools and parts before starting installation. Read and follow the instructions provided with any tools listed here.

Tools Needed

- Tape measure
- Marker or pencil
- Phillips screwdriver
- Pliers
- Flat-blade screwdriver
- Jigsaw
- Level
- Caulking
- Drill
- Aluminum duct tape
- T20®† TORX®† drivers

Parts Supplied

Check that all parts are included.

- Cooktop assembly
- Blower housing assembly with electronic box assemblies
- (4) Cooktop mounting brackets (corners)
- Grease filter
- (11) M4 x 9.5 mm screws (ducting and electrical box strain reliefs)
- (16) M4 x 12 mm screws (cooktop mounting brackets to cabinet)
- (4) M6 x 16 mm screws (blower motor assembly to cabinet floor)
- (4) M5 x 10 mm flat-head screws (mounting feet to blower motor assembly bottom)
- (4) M5 x 50 mm cap head screws (cooktop-to-cooktop mounting brackets)
- (4) M5 lock washers
- (4) M5 flat washers
- (2) UL listed or CSA approved 7/8" (2.2 cm) strain relief
- Rectangular duct 2-piece telescoping (blower assembly to cooktop)
- Foam strip

Parts Needed

- A UL listed or CSA approved strain relief for 7/8" (2.2 cm) knockout
- (4) UL listed wire connectors for 8-gauge wires

For vented installations:

- 3¼" x 10" (8.3 cm x 25.4 cm) metal ducting
- Jenn-Air® wall cap:
Jenn-Air® 3¼" x 10" (8.3 cm x 25.4 cm) Surface Wall Cap Damper part number A403.
See the "Assistance or Service" section in your Use and Care manual to order.

For non-vented installations:

- Recirculation Kit part number W10807915 (See the "Assistance or Service" section in your Use and Care manual to order.)
 - a. Recirculation duct housing
 - b. (4) Mounting screws
 - c. (2) Charcoal filters
 - d. Recirculation housing cover

- e. (2) Mounting screws – cover
- f. Duct extension
- g. (4) Mounting screws – duct extension

For non-vented installations side recirculation only:

- 3¼" x 10" (8.3 cm x 25.4 cm) metal duct – length required is determined by the distance from the exhaust outlet to the back flat surface of the Recirculation Kit housing.

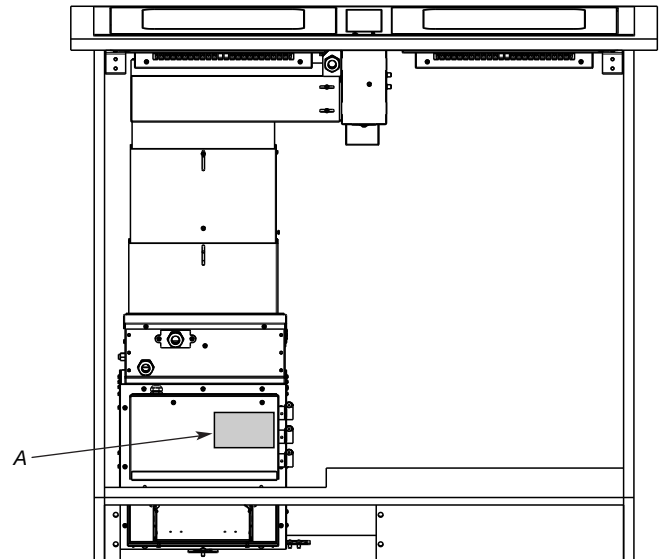
Check local codes. Check existing electrical supply. See the "Electrical Requirements" section.

It is recommended that all electrical connections be made by a licensed, qualified electrical installer.

Location Requirements

IMPORTANT: Observe all governing codes and ordinances. When installing the cooktop, use the minimum dimensions given.

- To eliminate the risk of burns or fire by reaching over the heated surface units, cabinet storage space located above the surface units should be avoided. If cabinet storage is to be provided, the risk can be reduced by installing a range hood that projects horizontally a minimum of 5" (12.7 cm) beyond the bottom of the cabinets.
- Use the countertop opening dimensions that are given with these Installation Instructions. Given dimensions are minimum clearances and provide 0" (0 cm) clearance.
- The model/serial/rating label is located on the front face of the electrical junction box cover.



A. Model/serial/rating label location

- Grounded electrical supply is required. See the "Electrical Requirements" section.
- If cabinet has drawers, drawers will need to be removed and drawer fronts installed on front of cabinet.

NOTE: The exhaust system is for outside venting. For non-vented (recirculating) installation, see "For non-vented (recirculating) installations only" in the "Connect Vent System" section. Recirculating Kit part number W10807915 is available from your dealer or an authorized parts distributor.

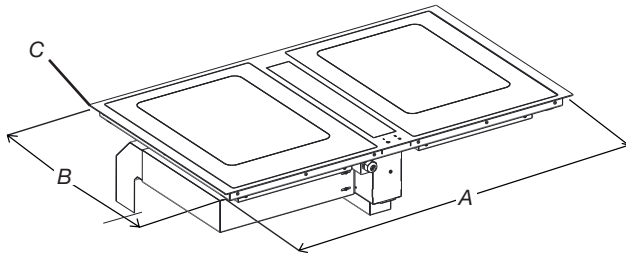
IMPORTANT: An undercounter built-in oven cannot be installed under this product.

†®TORX and T20 are registered trademarks of Acument Intellectual Properties, LLC.

Product Dimensions

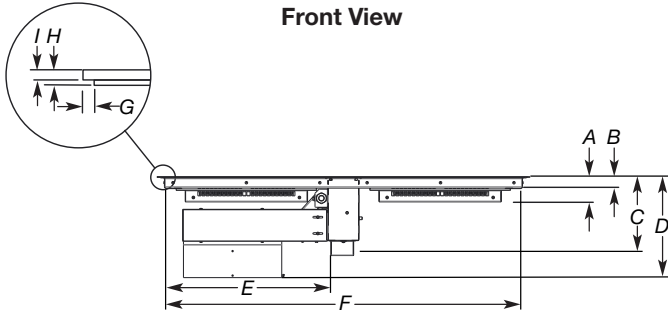
Cooktop

Top View



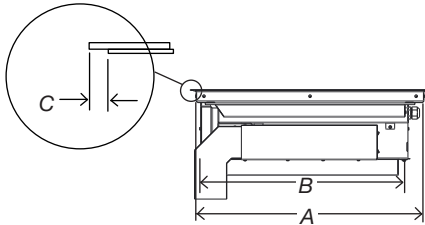
- A. 36" (91.4 cm)
- B. 21¹¹/₃₂" (54.2 cm)
- C. ⁵/₆₄" (2.0 mm) radius (4-corner radius)

Front View



- A. 2⁹/₃₂" (6.5 cm)
- B. 1³/₃₂" (2.8 cm)
- C. 7³/₈" (18.7 cm)
- D. 9⁵/₈" (24.5 cm)
- E. 15²⁵/₃₂" (40.1 cm)
- F. 34⁹/₁₆" (87.8 cm)
- G. 1¹/₃₂" (8.45 mm) typical sides
- H. 1¹/₈" (3.25 mm)
- I. ⁵/₆₄" (2.0 mm)

Side View - Left

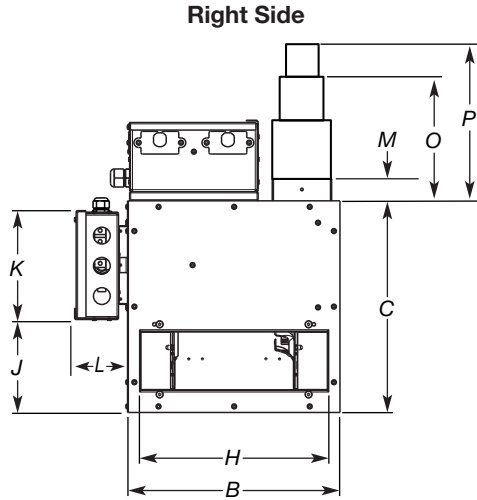
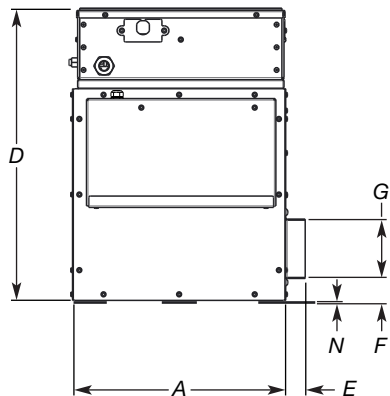


- A. 20⁹/₃₂" (51.5 cm)
- B. 18¹/₂" (47.0 cm)
- C. ⁹/₃₂" (7.2 mm) typical front and back

Blower Housing Assembly

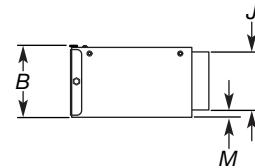
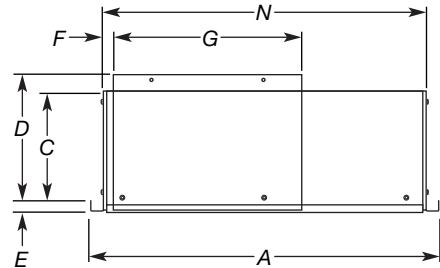
NOTE: Vent exhaust – shown for right exhaust. It can also be positioned for left or front exhaust.

Front Side



- A. 11¹/₈" (28.2 cm)
- B. 11¹/₃₂" (28.0 cm)
- C. 11¹/₈" (28.3 cm)
- D. 15¹/₄" (38.7 cm)
- E. 1⁵/₁₆" (2.4 cm) typical right, left, or front position
- F. 7⁷/₁₆" (1.1 cm) typical right, left, or front position
- G. 3¹/₈" (7.9 cm) typical right, left, or front position
- H. 9⁷/₈" (25.0 cm) typical right, left, or front position
- J. 4¹⁵/₁₆" (12.5 cm)
- K. 5⁵/₈" (14.4 cm)
- L. 2³/₄" (7.0 cm)
- M. 1¹/₈" (2.9 cm)
- N. ⁵/₆₄" (0.2 cm)
- O. 9" (22.9 cm) min.
- P. 15¹/₄" (38.7 cm) max.

Recirculation Assembly (accessory)



- A. 18³/₈" (46.6 cm)
- B. 3³/₄" (9.5 cm)
- C. 5³/₄" (14.7 cm)
- D. 6³/₄" (17.1 cm)
- E. ⁹/₁₆" (14 mm)
- F. ⁹/₁₆" (14 mm)
- G. 9⁷/₈" (25.0 cm)
- H. 17⁵/₈" (44.8 cm)
- J. 3³/₃₂" (7.8 cm)
- K. 2" (5.0 cm)
- L. ³/₁₆" (4.8 mm) diameter (4)
- M. ⁵/₁₆" (7.9 mm)
- N. 17" (43.2 cm)

Recirculation Cover (part of Recirculation Kit)



- A. 18¹/₂" (47.0 cm)
- B. 3³/₃₂" (10.1 cm)
- C. 1¹/₁₆" (1.7 cm)

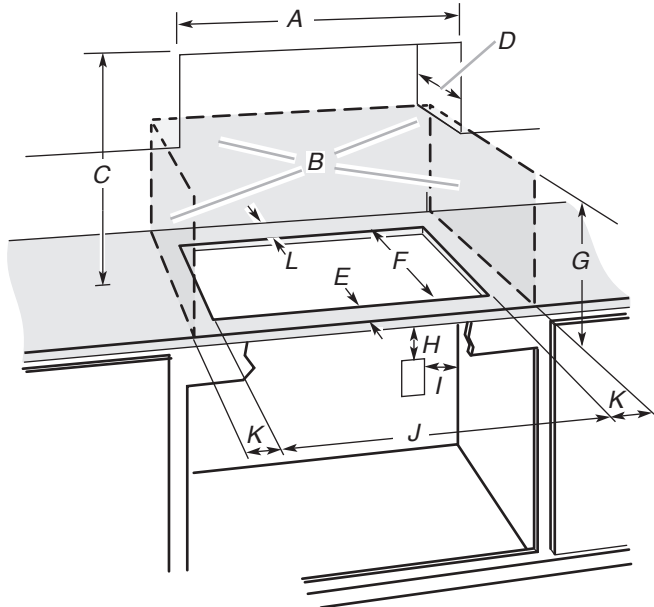
Cabinet Dimensions

IMPORTANT: If installing a range hood or microwave hood combination above the range, follow the range hood or microwave hood combination installation instructions for dimensional clearances above the cooktop surface.

NOTES:

- Cabinet opening dimensions shown are for 25" (64 cm) countertop depth, 24" (61 cm) base cabinet depth, and 36" (91 cm) countertop height. Dimensions must be met in order to ensure a flush fit to the back wall.
- For clarification, all cabinet illustrations are shown with the door and front panel removed.

Countertop Cutout and Clearances



- A. 36" (91.4 cm)
- B. Combustible area above countertop (shown by dashed box above)
- C. 30" (76.2 cm) minimum clearance between top of cooktop platform and bottom of uncovered wood or metal cabinet (24" [61 cm] minimum clearance if bottom of wood or metal cabinet is covered by not less than 1/4" [0.6 cm] flame-retardant millboard covered with not less than No. 28 MSG sheet steel, 0.015" [0.04 cm] stainless steel, or 0.024" [0.06 cm] aluminum or 0.020" [0.05 cm] copper)
- D. 13" (33 cm) recommended upper-cabinet depth
- E. 2¹¹/₁₆" (6.8 cm)
- F. 20⁷/₈" (53.0 cm)
- G. 18" (45.7 cm) minimum clearance from upper cabinet to countertop within minimum horizontal clearances to cooktop
- H. Junction box or outlet; 12" (30.5 cm) minimum from bottom of countertop
- I. Junction box or outlet; maximum 24" (61 cm) from centerline of cabinet
- J. 35⁷/₁₆" (90.0 cm)
- K. 2¹/₂" (6.4 cm) minimum distance to nearest left- and right-side combustible surface above cooktop
- L. 1¹⁵/₃₂" (3.7 cm) minimum clearance between back wall and countertop

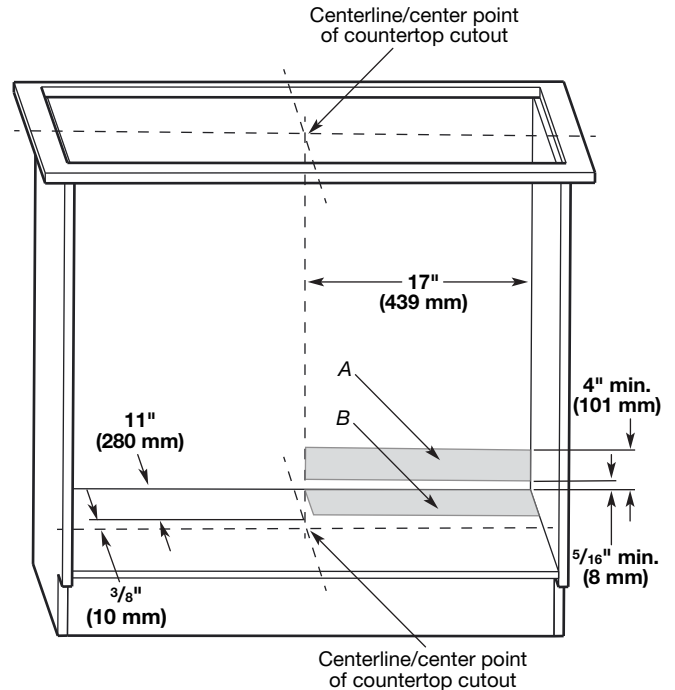
NOTE: After making the countertop cutout, some installations may require notching down the base cabinet sidewalls to clear the cooktop base. To avoid this modification, use a base cabinet with sidewalls wider than the cutout.

Cutout Dimensions

NOTE: All dimensions for cabinet cutouts are to be located from the centerline/center point of the countertop cutout.

Style 1 – Cabinet Cutouts for Vented Installations

Cabinet cutout areas are for venting out of the right-hand side of the blower motor assembly to the back or through the floor. All cutouts are to be located from the centerline/center point of the countertop cutout.

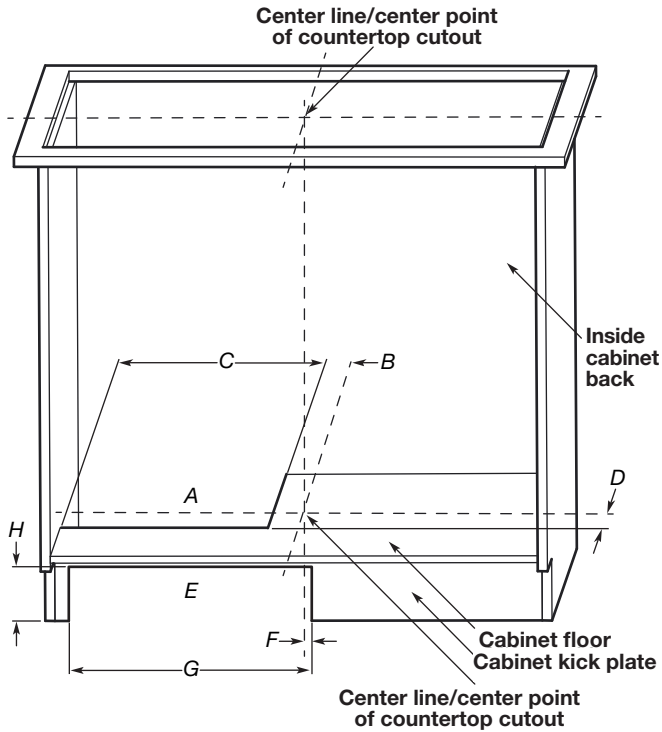


- A. The vent supply area in back of the cabinet is for venting out of the back of the cabinet, using a 3¹/₄" x 10" (8.3 cm x 25.4 cm) vent duct and a flat 90° elbow.
- B. The vent supply area in the cabinet floor is for venting through the bottom of the cabinet using 3¹/₄" x 10" (8.3 cm x 25.4 cm) vent duct and a 90° elbow.

NOTE: Gray areas are references for ducting locations.

Style 2 – Cabinet Cutouts for Recirculation Front Kick Plate Installations

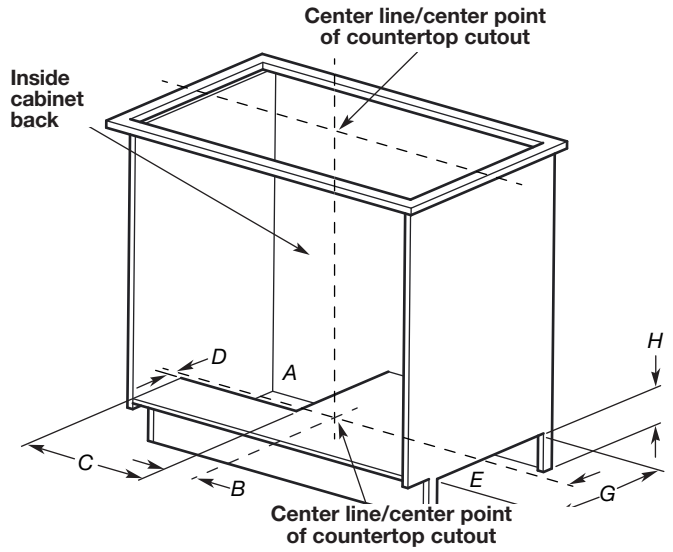
Cabinet cutout areas for recirculation venting out of the front of the blower motor assembly to the front kick plate of the cabinet.



- A. Cutout in cabinet floor for blower motor housing – recirculation position
- B. 2¹/₂" (6.4 cm)
- C. 14³/₄" (37.5 cm)
- D. 3³/₄" (9.5 cm)
- E. Cutout in cabinet kick plate for recirculation duct assembly
- F. 1³/₁₆" (2.0 cm)
- G. 17³/₆₄" (43.3 cm)
- H. 3³¹/₃₂" (10.1 cm)

Style 3 – Cabinet Cutouts for Side Recirculation Installations

Cabinet cutout areas for recirculation venting out of the right-side of the blower motor assembly to the right side of the cabinet.



- A. Cutout in cabinet floor for blower motor housing – recirculation position
- B. 2¹/₂" (6.4 cm)
- C. 14³/₄" (37.5 cm)
- D. 3³/₄" (9.5 cm)
- E. Cutout in cabinet right-end panel for recirculation duct assembly
- F. 6³/₁₆" (16.0 cm)
- G. 17³/₆₄" (43.3 cm)
- H. 3³¹/₃₂" (10.1 cm)

Use the same cabinet cutout dimensions E, F, G, and H for recirculation out the left side of the cabinet.

NOTE: Left-side recirculation recommendation: There must be a minimum of 7⁵/₈" (19.4 cm) between the face panel of the blower motor housing assembly and the left outside of the cabinet.

Venting Requirements

IMPORTANT: This appliance must be exhausted outdoors unless you are using the Recirculation Accessory Kit. See the “Venting Methods” section and the “Accessories” section in your Use and Care manual to order.

- Do not terminate the vent system in an attic or other enclosed area.
- Vent system must terminate to the outside.
- Use only a 3/4" x 10" (8.3 cm x 25.4 cm) rectangular metal vent or 6" (15.2 cm) round metal vent. Rigid metal vent is recommended. Do not use plastic or metal foil vent.
- Before making cutouts, make sure there is proper clearance within the wall or floor for the exhaust vent.
- Do not cut a joist or stud unless absolutely necessary. If a joist or stud must be cut, then a supporting frame must be constructed.
- The size of the vent should be uniform.
- The vent system must have a damper.
- Use vent clamps and metal duct tape to seal all joints in the vent system.
- Use caulking to seal exterior wall or roof opening around the cap.
- Determine which venting method is best for your application.

For Best Performance:

- Use 26-gauge minimum galvanized or 25-gauge minimum aluminum metal vent. Poor quality pipe fittings can reduce airflow. For external venting, flexible metal vent is not recommended.

NOTE: Local codes may require a heavier gauge material.

- Metal duct may be reduced to 30-gauge galvanized steel or 26-gauge aluminized steel if allowed by local codes. This reduction is based on information in the International Residential Codes Section M1601.1 (2006 edition).
- Avoid installing 2 elbows together.
- Use no more than three 90° elbows.
- If an elbow is used, install it as far away as possible from the hood's vent motor exhaust opening.
- Make sure there is a minimum of 18" (45.7 cm) of straight vent between the elbows if more than one elbow is used. Elbows too close together can cause excess turbulence that reduces airflow.
- Do not use a 5" (12.7 cm) elbow in a 6" (15.2 cm) or 3/4" x 10" (8.3 cm x 25.4 cm) system.
- Do not reduce to a 5" (12.7 cm) system after using a 6" (15.2 cm) or 3/4" x 10" (8.3 cm x 25.4 cm) fittings.
- Avoid forming handmade crimps. Handmade crimps may restrict airflow.
- Use a Jenn-Air® vent cap for proper performance. If an alternate wall or roof cap is used, be certain the cap size is not reduced and that it has a backdraft damper.
- Use vent clamps and metal duct tape to seal all joints in the vent system.
- Use caulking to seal exterior wall or roof opening around the cap.

The length of vent system and number of elbows should be kept to a minimum to provide efficient performance.

The maximum equivalent length of the vent system is 35 ft (10.7 m). For altitudes above 4,500 ft (1272 m), reduce recommended vent run by 20% for best performance.

Cold Weather Installations

An additional backdraft damper should be installed to minimize backward cold air flow and a thermal break installed to minimize conduction of outside temperatures as part of the vent system. The damper should be on the cold air side of the thermal break.

Makeup Air

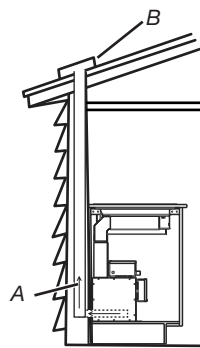
Local building codes may require the use of makeup air systems when using ventilation systems greater than specified CFM of air movement. The specified CFM varies from locale to locale.

Consult your HVAC professional for specific requirements in your area.

Venting Methods

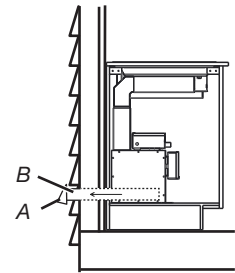
Common venting methods are shown for a counter-mounted downdraft cooktop. The cooktop may be vented through the wall or floor.

Option 1 – Roof Venting



A. 3/4" x 10" (8.3 cm x 25.4 cm) rectangular floor venting
B. Roof cap

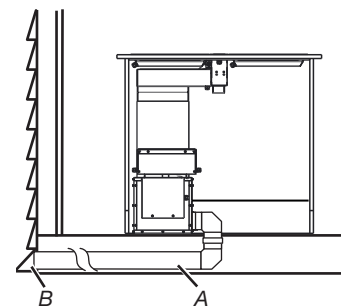
Option 2 – Wall Venting



A. 3/4" x 10" (8.3 cm x 25.4 cm) rectangular wall venting
B. Wall cap

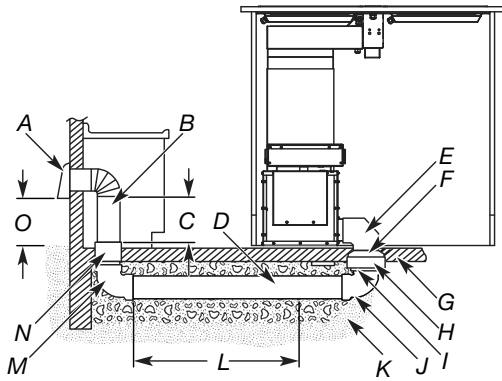
Option 3 – Venting Between Floor Joist

Front view of cabinet with doors removed



A. 3/4" x 10" (8.3 cm x 25.4 cm) rectangular wall venting
B. Wall cap

Concrete Slab Installations – Exhaust Through Wall



- A. Wall cap
- B. 6" (15.2 cm) round metal vent
- C. 16" (40.6 cm) maximum
- D. 6" (15.2 cm) round PVC sewer pipe
- E. 3/4" x 10" (8.3 cm x 25.4 cm) rectangular 90° metal vent elbow
- F. 3/4" x 10" (8.3 cm x 25.4 cm) rectangular to 6" (15.2 cm) round metal vent transition
- G. 6" (15.2 cm) round PVC coupling
- H. Concrete slab
- I. 6" (15.2 cm) round PVC sewer pipe
- J. 6" (15.2 cm) round 90° PVC sewer pipe elbow
- K. Tightly pack gravel or sand completely around pipe.
- L. 30 ft (9.1 m) maximum
- M. 6" (15.2 cm) round 90° PVC sewer pipe elbow
- N. 6" (15.2 cm) round PVC coupling
- O. 12" (30.5 cm) minimum

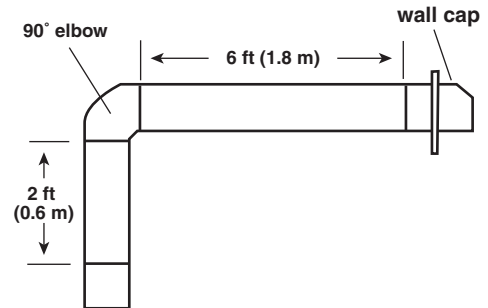
Calculating Vent System Length

To calculate the length of the system you need, add the equivalent feet (meters) for each vent piece used in the system.

Vent Piece	6" (15.2 cm) Round
45° elbow	2.5 ft (0.8 m)
90° elbow	5.0 ft (1.5 m)
6" (15.2 cm) wall cap	0.0 ft (0.0 m)
3/4" x 10" (8.3 cm x 25.4 cm) to 6" (15.2 cm) transition	4.5 ft (1.4 m)
6" (15.2 cm) to 3/4" x 10" (8.3 cm x 25.4 cm) transition	1 ft (0.3 m)
3/4" x 10" (8.3 cm x 25.4 cm) to 6" (15.2 cm) 90° elbow transition	5.0 ft (1.5 m)

Vent Piece	6" (15.2 cm) Round
6" (15.2 cm) to 3/4" x 10" (8.3 cm x 25.4 cm) 90° elbow transition	5.0 ft (1.5 m)
3/4" x 10" (8.3 cm x 25.4 cm) 90° elbow	5.0 ft (1.5 m)
3/4" x 10" (8.3 cm x 25.4 cm) flat elbow	5.0 ft (1.5 m)
3/4" x 10" (8.3 cm x 25.4 cm) wall cap	0.0 ft (0.0 m)

Example vent system



1 - 90° elbow	= 5 ft (1.5 m)
8 ft (2.4 m) straight	= 8 ft (2.4 m)
1 - wall cap	= 0 ft (0 m)
System length	= 13 ft (3.9 m)

NOTE: A flexible vent is not recommended. Flexible vents create back pressure and air turbulence that greatly reduce performance.

Recirculation: Non-Vented (Recirculating) Installations Only

You will need to order:

- Recirculation Kit part number W10807915 (See the "Assistance or Service" section in your Use and Care manual to order.)
- You may also need a section of 3/4" x 10" (8.3 cm x 25.4 cm) metal duct – length required is determined by the distance from the exhaust outlet to the back flat surface of the Recirculation Kit housing.

Electrical Requirements

⚠ WARNING



Electrical Shock Hazard

Disconnect power before servicing.

Use 8 gauge copper wire.

Electrically ground cooktop.

Failure to follow these instructions can result in death, fire, or electrical shock.

If codes permit and a separate ground wire is used, it is recommended that a qualified electrical installer determine that the ground path and wire gauge are in accordance with local codes.

Check with a qualified electrical installer if you are not sure the cooktop is properly grounded.

Make sure that the electrical connection and wire size are adequate and in conformance with the National Electrical Code, ANSI/NFPA 70 - latest edition or CSA Standards C22.1-94, Canadian Electrical Code, Part 1 and C22.2 No. O-M91 - latest edition, and all local codes and ordinances.

A copy of the above code standards can be obtained from:

National Fire Protection Association
1 Batterymarch Park
Quincy, MA 02169-7471

CSA International
8501 East Pleasant Valley Road
Cleveland, OH 44131-5575

Before You Make the Electrical Connection:

To properly install your cooktop, you must determine the type of electrical connection you will be using and follow the instructions provided for it here.

- A 3-wire or 4-wire, single phase, 120-/240-volt, 60 Hz, AC-only electrical supply on a separate, 40-amp circuit breaker is required. If a fused system is used, fuse both sides of the line.
- The cooktop should be connected directly to the junction box through the flexible metal conduit. The flexible, armored cable extending from the fuse box or circuit breaker box should be connected directly to the junction box.
- Locate the junction box to allow as much slack as possible between the junction box and the cooktop so that the cooktop can be moved if servicing becomes necessary in the future.
- A UL listed or CSA approved conduit connector must be provided at each end of the power supply cable (at the cooktop and at the junction box).
- If the house has aluminum wiring, follow the procedure below:
 1. Connect a section of solid copper wire to the pigtail leads.
 2. Connect the aluminum wiring to the added section of copper wire using special connectors and/or tools designed and UL listed for joining copper to aluminum.

Follow the electrical connector manufacturer's recommended procedure. Aluminum/copper connection must conform with local codes and industry accepted wiring practices.

INSTALLATION INSTRUCTIONS

Prepare Cooktop

⚠ WARNING

Excessive Weight Hazard

Use two or more people to move and install cooktop.

Failure to do so can result in back or other injury.

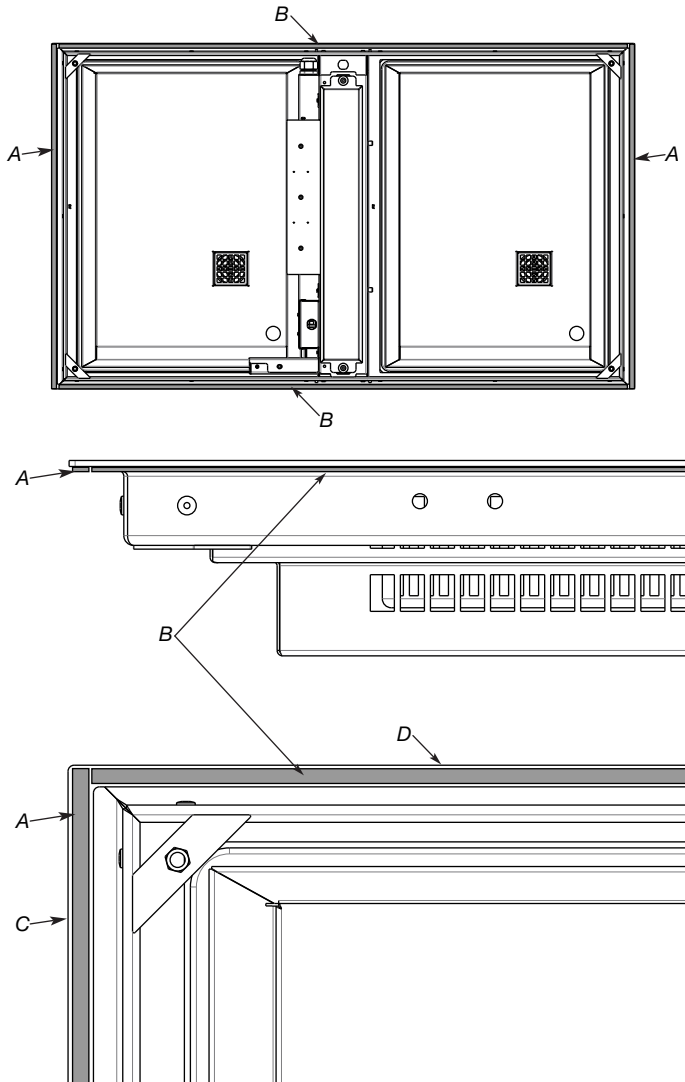
1. Open product as instructed on product packaging.
2. Remove shipping materials and tape from cooktop.
3. Using 2 or more people, remove the cooktop from the carton.

NOTE: Always handle the cooktop from the underside of the cooktop chassis, not from the stainless steel frame or the metal covers on the bottom of the cooktop.

4. Using 2 or more people, place the cooktop upside down on a protected surface.

Install Foam Strips

1. Remove foam strip from literature and hardware package.
2. Measure and cut 4 pieces: 2 pieces 21¹/₄" (54.0 cm) long and 2 pieces 35" (88.9 cm) long.
3. Remove backing from the 21¹/₄" (54.0 cm) foam strips and apply the foam strips, adhesive-side down, to each end of the outer flange on the underside of the cooktop trim.
4. Remove backing from the 35" (88.9 cm) foam strips and apply the foam strips, adhesive-side down, to the front and rear outer flanges on the underside of the cooktop trim. Do not overlap the foam strips.



- A. Foam strip - 21¹/₄" (54.0 cm) long (2 pieces)
 B. Foam strip - 35" (88.9 cm) long (2 pieces)
 C. Cooktop trim - edge flange (right and left sides)
 D. Cooktop trim - edge flange (front and rear)

NOTE: The foam strip (optional) keeps the underside of the cooktop frame from debris and helps the cooktop sit flat on uneven counters.

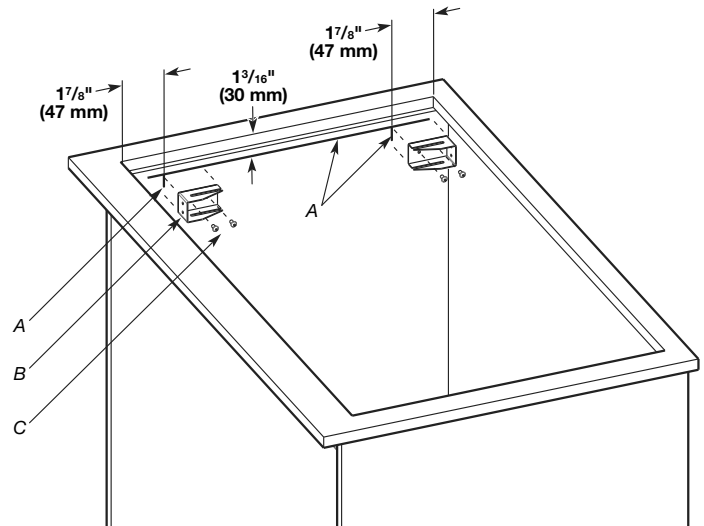
Cooktop Mounting Brackets Installation

NOTE: For ease of installation, install cooktop mounting brackets to cabinet before installing cooktop into cabinet.

Installing Mounting Brackets to Cabinet Sides

NOTE: Cabinets wider than 36" (91.4 cm) may require additional sides (1/2" [1.3 cm] thick wood, minimum) to be constructed inside of the cabinet at a width of 34⁹/₁₆" (87.8 cm). The inside of each sidewall should be located 17⁹/₃₂" (43.9 cm) from the center line of the cooktop cutout and parallel to the sides of the cooktop cutout.

1. Draw a horizontal line on the inside of both cabinet sides or added sidewall 1³/₁₆" (30 mm) down from the top surface of the countertop.
2. Align the 4 brackets 1⁷/₈" (47 mm) from the front and back cutout surface of the countertop on the marked horizontal lines and orient as shown with 1 front bracket and 1 rear bracket on each side.

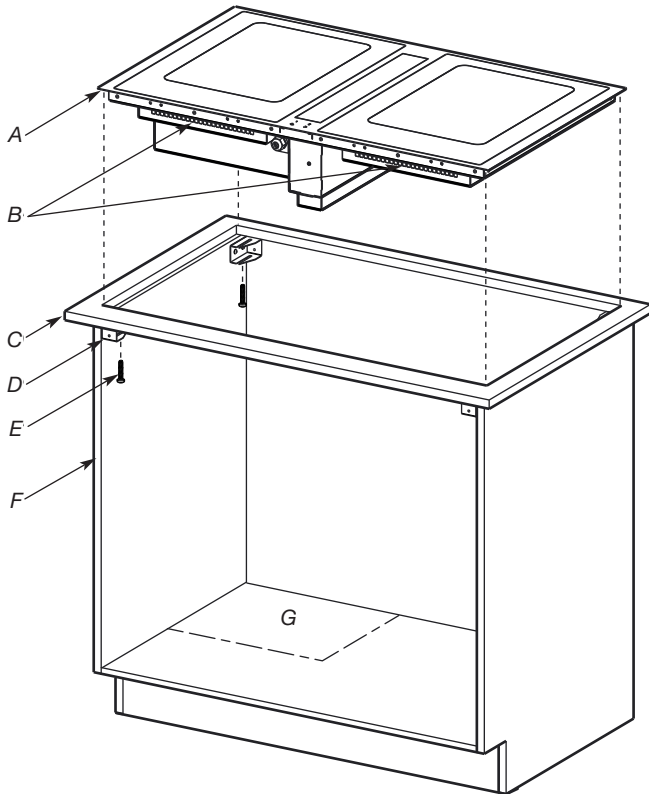


- A. Marked location lines on inside of cabinet sidewalls (typical both ends)
 B. Cooktop mounting brackets (4)
 C. M4 x 12 mm screws (8)

3. Mark and pre-drill the mounting holes using a 1/8" (3 mm) drill bit. (Do not drill through the cabinet sidewalls.)
4. Using 2 M4 x 12 mm mounting screws (supplied) for each mounting bracket, attach the 4 mounting brackets to the cabinet sides. A shorter screw length (not supplied) may be required if the cabinet sidewall thickness is less than 1/2" (12.7 mm).

Install Cooktop and Blower Motor Assembly

1. Using 2 or more people, place cooktop into the cutout.
2. Align cooktop to sit flat onto the countertop.
3. Install 4 M5 x 50 mm cap screws, lock washers, and flat washers (1 each corner) to secure the cooktop to the mounting brackets. Tighten screws to pull cooktop tight to the countertop.



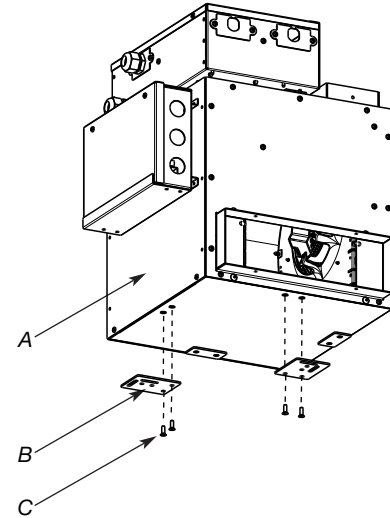
- A. Cooktop
- B. Cooktop vent slots
- C. Countertop
- D. Mounting brackets (4)
- E. M5 x 50 mm cap screws, lock washers, and flat washers (4 each)
- F. Cabinet (shown with front removed)
- G. Cutout location in cabinet floor (for recirculation installations only)

NOTES:

- Make sure that the front edge of the cooktop is parallel to the front edge of the countertop. If repositioning is needed, lift entire cooktop up from the cutout to avoid scratching the countertop.
- Do not block vent slots on the front of the cooktop.

Install Mounting Feet/Spacers to Blower Motor Assembly

1. Install the mounting feet (2) to the bottom of the blower motor assembly, using 2 M5 x 10 mm flat-head screws per foot, and tighten.

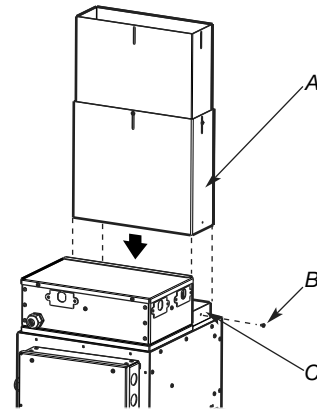


- A. Blower motor assembly front side
- B. Mounting feet (2)
- C. M5 x 10 mm screws - flat head (4)

Prepare Blower Motor Assembly

Style 1 – Vented or Recirculation to the Right

1. Assemble the 2-piece telescoping rectangular vertical duct to the blower motor assembly top duct extension. Secure with screw and metal duct tape.

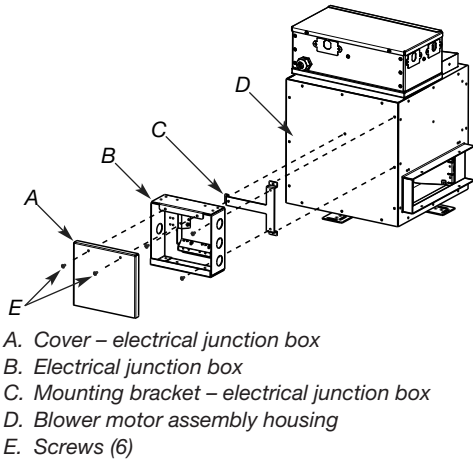


- A. Telescoping rectangular duct (2 pieces)
- B. M4 x 9.5 mm screw
- C. Blower motor assembly top duct extension

Style 2 – Recirculation to the Front

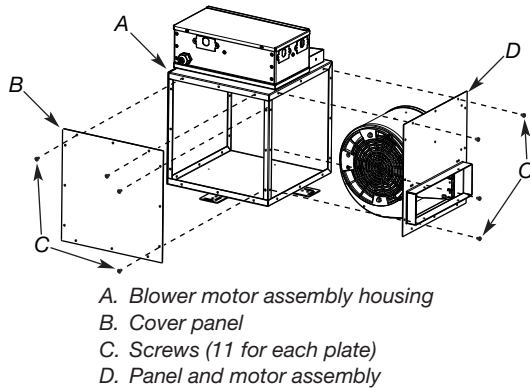
1. Using a T20® TORX® driver, remove the 2 screws and cover from the electrical junction box on the front panel of the blower motor assembly housing and set aside.
2. Using a T20® TORX® driver, remove the 4 screws and the electrical junction box from the mounting bracket and set aside.

NOTE: Do not remove any electrical connections.



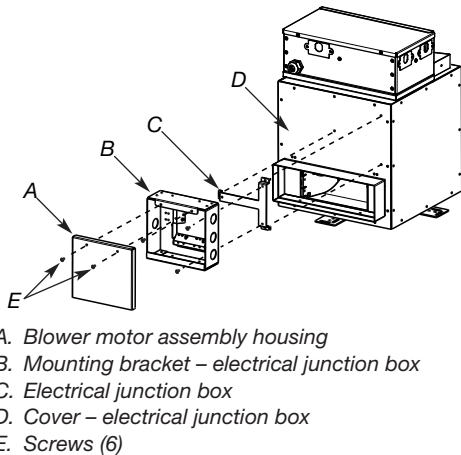
- A. Cover – electrical junction box
- B. Electrical junction box
- C. Mounting bracket – electrical junction box
- D. Blower motor assembly housing
- E. Screws (6)

3. Using a T20® TORX® driver, remove the 11 screws and cover panel from the front blower motor assembly housing.



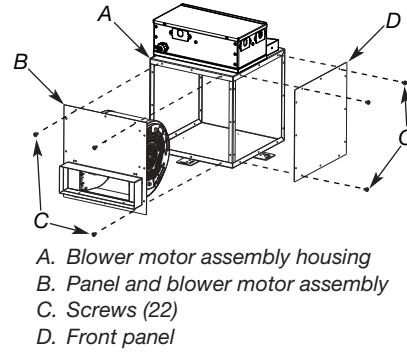
- A. Blower motor assembly housing
- B. Cover panel
- C. Screws (11 for each plate)
- D. Panel and motor assembly

4. Using a T20® TORX® driver, remove the 3 screws and the electrical junction box mounting bracket from panel and set aside.
5. Disconnect the 9-pin blower motor electrical connector.
6. Using a T20® TORX® driver, remove the 11 screws that attach the panel and motor assembly to the right side of the blower motor assembly housing. Remove the panel and motor assembly from the blower motor assembly housing.
7. Assemble the electrical box bracket to the front panel using the 3 screws and tighten.



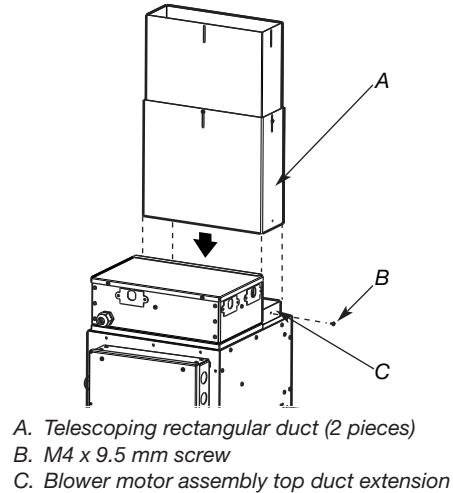
- A. Blower motor assembly housing
- B. Mounting bracket – electrical junction box
- C. Electrical junction box
- D. Cover – electrical junction box
- E. Screws (6)

8. Reassemble the panel and motor assembly into the front of the blower motor assembly housing. Install the 11 screws and tighten.



- A. Blower motor assembly housing
- B. Panel and blower motor assembly
- C. Screws (22)
- D. Front panel

9. Reconnect the 9-pin blower motor electrical connector.
10. Reassemble the panel to the right side of the blower motor assembly housing. Install the 11 screws and tighten.
11. Reassemble the electrical box to the bracket using the 4 screws and tighten.
12. Assemble the 2-piece telescoping rectangular vertical duct to the blower motor assembly top duct extension. Secure with screw and metal duct tape.

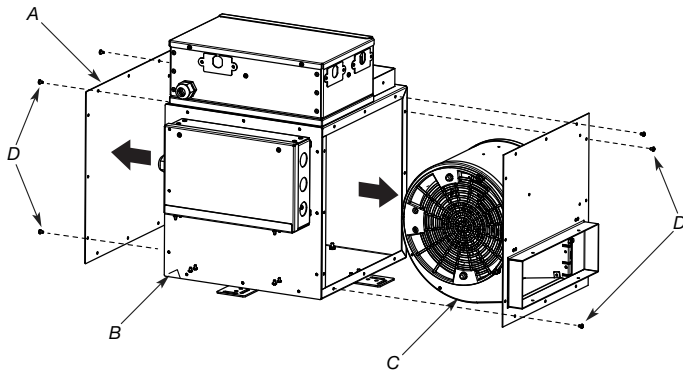


- A. Telescoping rectangular duct (2 pieces)
- B. M4 x 9.5 mm screw
- C. Blower motor assembly top duct extension

Style 3 - Vented or Recirculation to the Left

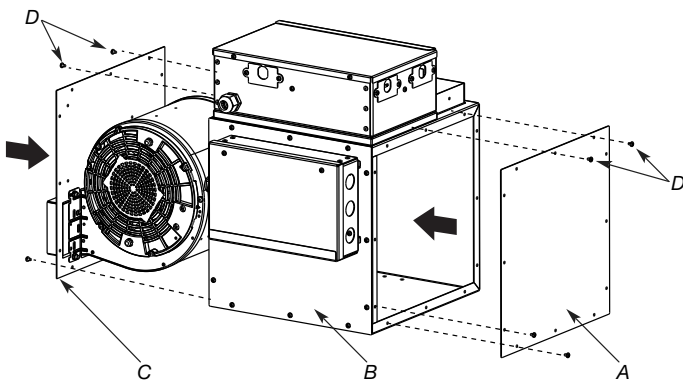
1. Using a T20® TORX® driver, remove the 11 screws and panel from the left side of the blower motor assembly housing and set aside.
2. Disconnect the 9-pin blower motor electrical connector.

- Using a T20® TORX® driver, remove the 11 screws that attach the panel and motor assembly to the right side of the blower motor assembly housing. Remove the panel and motor assembly from the blower motor assembly housing.



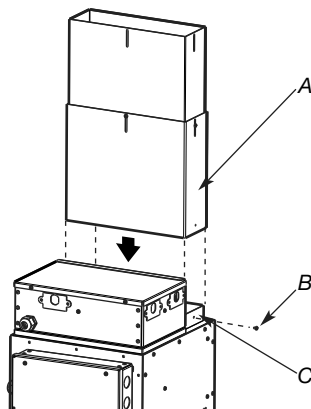
A. Left cover plate
 B. Blower housing assembly
 C. Housing exhaust plate with blower motor
 D. Screws (11 for each plate)

- Reassemble the panel and motor assembly onto the left side of the blower motor assembly housing. Install the 11 screws and tighten.
- Reconnect the 9-pin blower motor electrical connector.
- Reassemble the left side panel to the right side of the blower motor assembly housing. Install the 11 screws and tighten.



A. Left cover plate
 B. Blower housing assembly
 C. Housing exhaust plate with blower motor (left exhaust)
 D. Screws (11 for each plate)

- Assemble the 2-piece telescoping rectangular vertical duct to the blower motor assembly top duct extension. Secure with screw and metal duct tape.



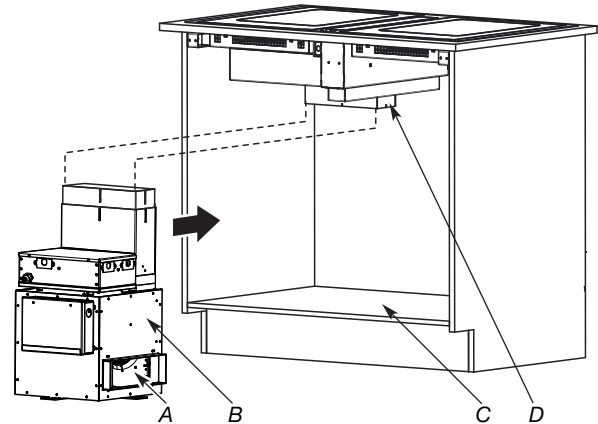
A. Telescoping rectangular duct (2 pieces)
 B. M4 x 9.5 mm screw
 C. Blower motor assembly top duct extension

Install Blower Motor Assembly

Style 1 – Vented Installations to the Right

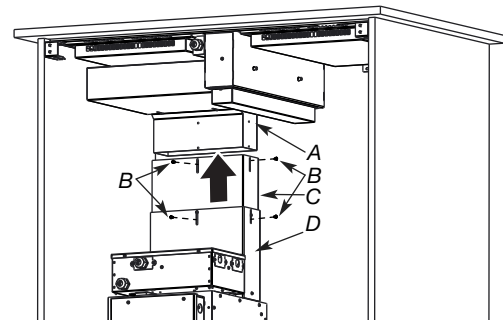
(Use “Style 1 – Cabinet Cutouts for Vented Installations” in the “Cutout Dimensions” section for running vent through the back or floor of the cabinet.)

- Set blower motor assembly onto the cabinet floor and align it to the 90° elbow from the cooktop assembly.



A. Exhaust opening – blower motor assembly (towards right side of cabinet)
 B. Blower motor assembly
 C. Cabinet floor
 D. 90° elbow

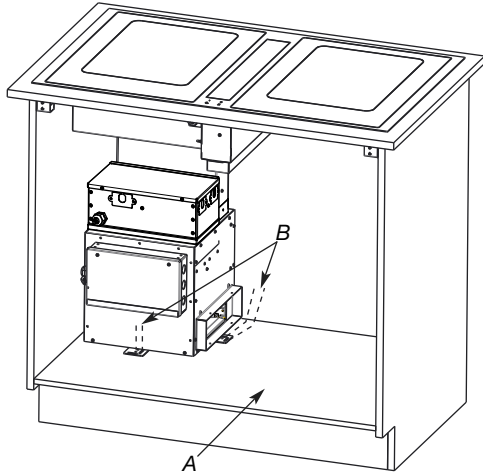
- Extend inner section of telescoping rectangular vertical duct to fit over 90° elbow from cooktop assembly. Secure with M4 x 9.5 mm screws.



A. 90° duct to cooktop assembly
 B. M4 x 9.5 mm screws (4)
 C. Upper vertical duct
 D. Lower vertical duct

- Loosen the 3 screws that secure the 90° elbow if adjustment is needed. Adjust the ducting and tighten all of the screws connecting the ducts.

- Drill 4 holes aligned through the motor housing mounting brackets (2 holes each bracket) to the cabinet floor. Using 4 screws (not supplied), secure the motor assembly to the cabinet floor.



A. Cabinet floor
B. Wood screws M6 x 16 mm (4)

- Assemble ducting from blower motor assembly venting outlet to the exterior 3¼" x 10" (8.3 cm x 25.4 cm) exhaust ducting. (See "Cabinet Cutout for Vented Installations" for recommended cutout area locations for exterior exhaust ducting).

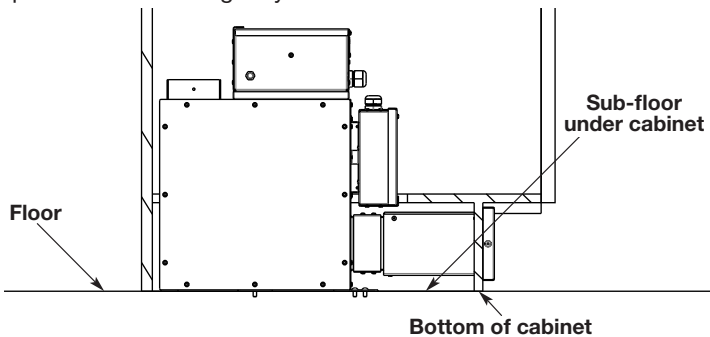
- Use metal duct tape to secure and seal all duct joints.

Style 2 – Recirculation Cabinet Front Kick Plate Installations

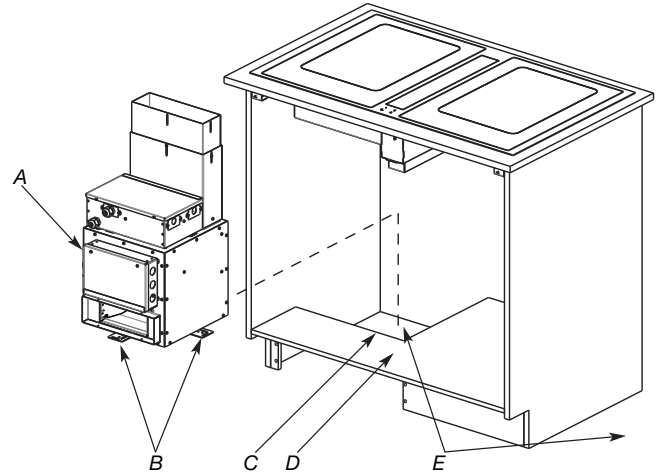
(Use "Style 2 – Cabinet Cutouts for Recirculation Front Kick Plate Installations" in the "Cutout Dimensions" section for recirculation out of the front kick plate of the cabinet.)

NOTE: Recirculation Kit required. See the "Accessories" section in your Use and Care manual to order.

IMPORTANT: The sub-floor under the cabinet must be the same surface height as the cabinet bottom. An additional piece of sub-flooring may be needed.

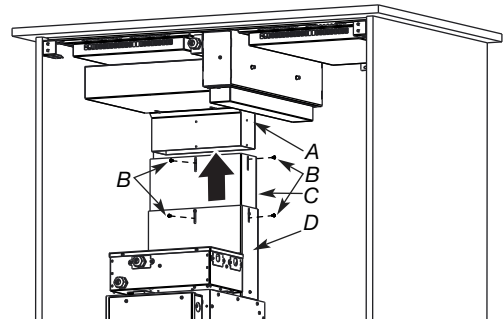


- Set blower motor onto the floor through the cutout in the cabinet floor with the vent outlet toward the front of the cabinet.



A. Blower motor assembly
B. Mounting tabs of blower motor assembly
C. Cutout in cabinet floor
D. Cabinet floor
E. Floor

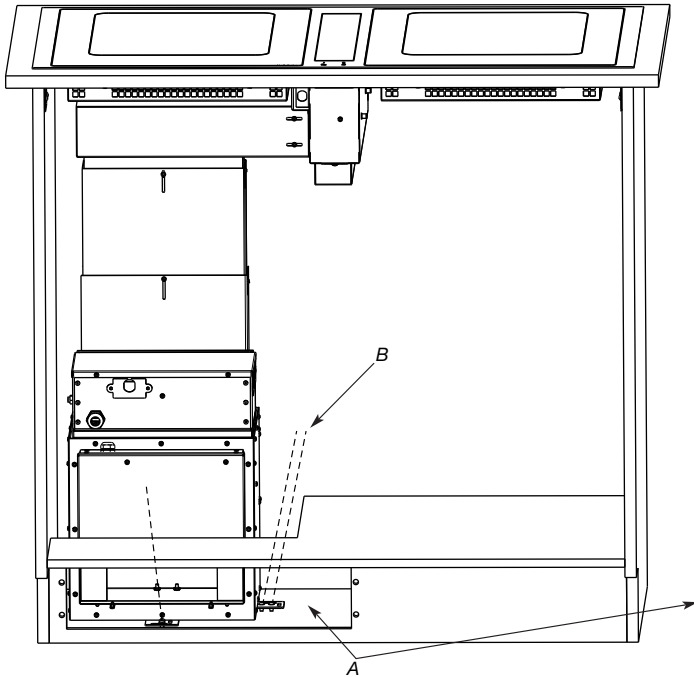
- Align the blower motor assembly 2-piece telescoping vertical duct to the 90° elbow from the cooktop assembly. Extend inner section of the 2-piece telescoping rectangular vertical duct to fit over the 90° elbow from the cooktop assembly. Secure with M4 x 9.5 mm screws.



A. 90° duct to cooktop assembly
B. M4 x 9.5 mm screws (4)
C. Upper vertical duct
D. Lower vertical duct

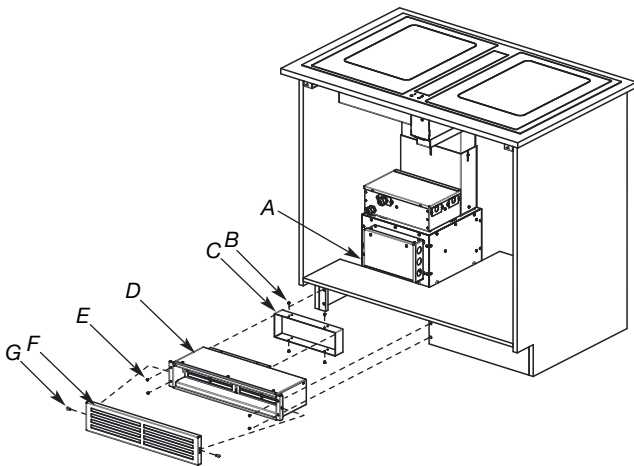
- Tighten all of the screws connecting the ducting and use metal duct tape to seal all duct joints.

- Using the proper drill type, drill 4 holes aligned through the motor housing mounting brackets (2 holes each bracket) into the floor. Using 4 screws (not supplied) for floor type, secure the blower motor assembly to the floor.



A. Floor
B. Wood screws M6 x 16 mm (4)

- Install recirculation duct assembly through the cabinet kick plate to the blower motor assembly venting outlet.



A. Blower motor assembly bottom duct extension
B. Mounting screws (4) – rectangular duct to blower motor assembly bottom duct extension
C. Rectangular duct extension
D. Recirculation duct assembly
E. Mounting screws (4) – recirculation duct assembly to cabinet
F. Cover – recirculation duct assembly
G. Fasteners – cover (2)

- Install recirculation duct assembly through front rectangular hole in kick plate (Cutout location – see “Style 2 – Cabinet Cutouts for Recirculation Front Kick Plate Installations” in the “Cutout Dimensions” section.)

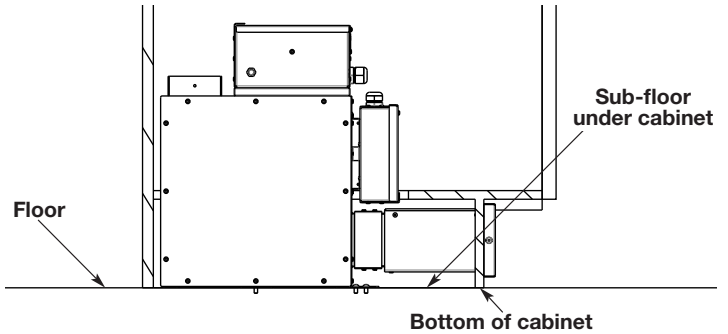
NOTE: Ensure the 2 charcoal filters are installed inside the recirculation duct assembly housing.

- Use metal duct tape to secure and seal all duct joints.

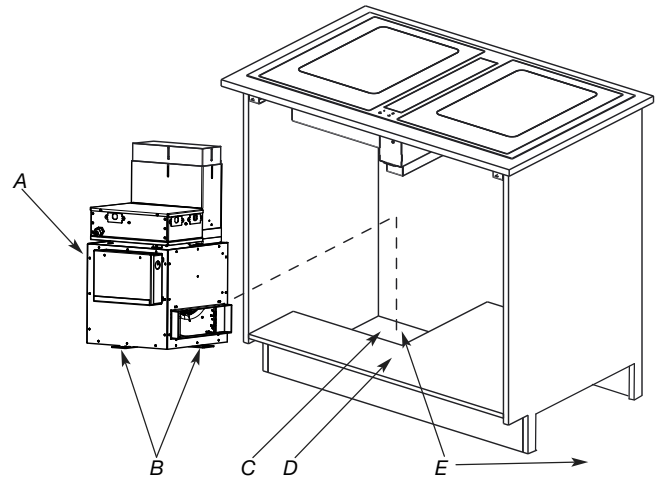
Style 3 – Recirculation Cabinet Side Installations

(Use “Style 3 – Cabinet Cutouts for Side Recirculation Installations” in the “Cutout Dimensions” section for recirculation out of the cabinet side.)

IMPORTANT: The sub-floor under the cabinet must be the same surface height as the cabinet bottom. An additional piece of sub-flooring may be needed.

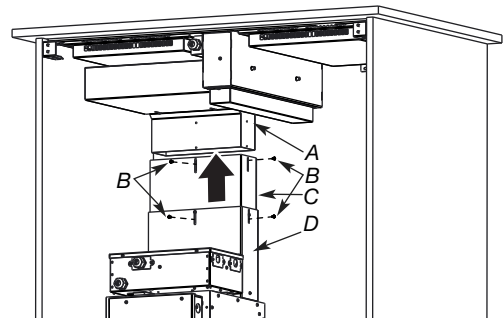


- Set blower motor onto the floor through the cutout in the cabinet floor with the vent outlet towards the right- or left-side of the cabinet.



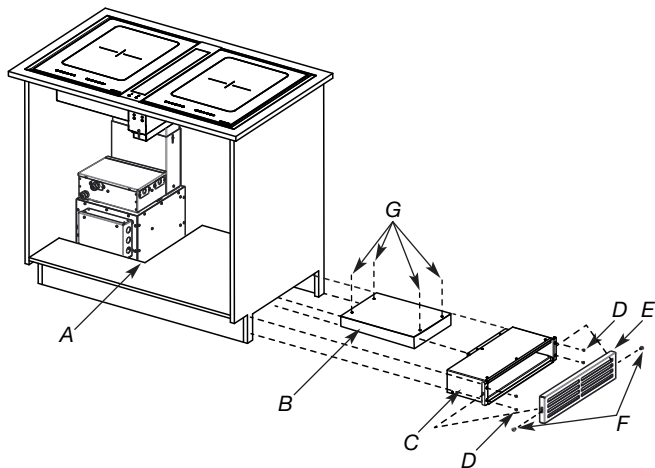
A. Blower motor assembly
B. Mounting tabs of blower motor assembly
C. Cutout in cabinet floor
D. Cabinet floor
E. Floor

- Align the blower motor assembly 2-piece telescoping vertical duct to the 90° elbow from the cooktop assembly. Extend inner section of the 2-piece telescoping rectangular vertical duct to fit over 90° elbow from cooktop assembly. Secure with 4 M4 x 9.5 mm screws.



A. 90° duct to cooktop assembly
B. M4 x 9.5 mm screws (4)
C. Upper vertical duct
D. Lower vertical duct

3. Tighten all of the screws connecting the ducting and use metal duct tape to seal all duct joints.
4. Using the proper drill type, drill 4 holes aligned through the motor housing mounting brackets (2 holes each bracket) into the floor. Using 4 screws (not supplied) for floor type, secure the blower motor assembly to the floor.



- A. Blower motor assembly bottom duct extension
- B. 3 1/4" x 10" (8.3 cm x 25.4 cm) rectangular duct (not supplied)
See NOTE.
- C. Recirculation duct assembly
- D. Mounting screws (4)
- E. Cover – recirculation duct assembly
- F. Fasteners – cover (2)
- G. Screws (4) (not supplied)

NOTE: The length of the rectangular duct is determined by the dimension from the blower motor bottom duct extension to the duct extension of the recirculation duct assembly.

5. Assemble Recirculation Kit through the cabinet side to the blower motor assembly venting outlet.
NOTE: Ensure the 2 charcoal filters are installed inside the recirculation duct assembly housing.
6. Use metal duct tape to secure and seal all duct joints.

Make Electrical Connection

⚠ WARNING



Electrical Shock Hazard

Disconnect power before servicing.

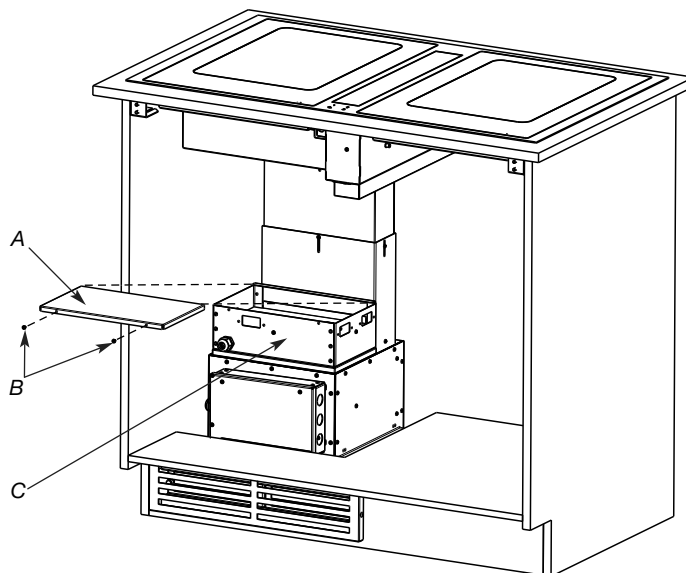
Use 8 gauge copper wire.

Electrically ground cooktop.

Failure to follow these instructions can result in death, fire, or electrical shock.

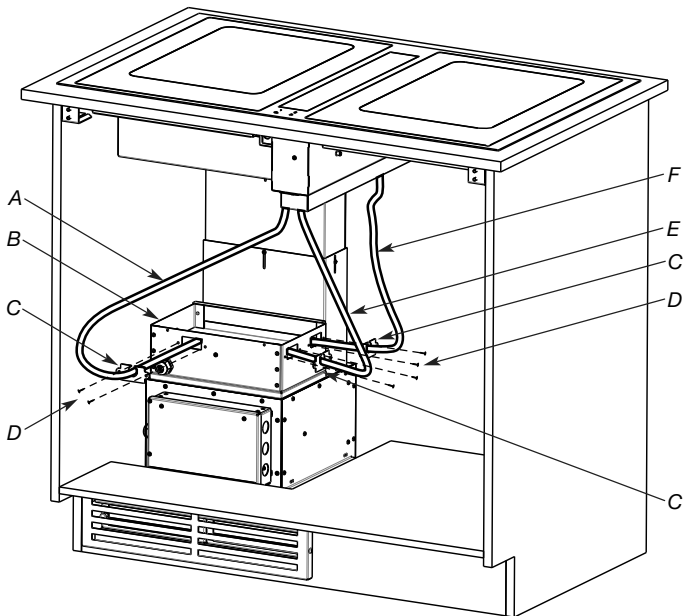
Electronics Connections – Cooktop to Electrical Box

1. Disconnect power.
2. Use a T20® TORX® driver to remove 2 screws and the electronics connection box cover and set aside.



- A. Electronics box cover
- B. Screws (2)
- C. Electronics box

3. Install the wiring cable with the 2-pin connector from the rear of the cooktop into the electronics connections box. Use a T20® TORX® driver to install screws through the UL strain relief connected to the wiring to the electronics connections box. Plug in the 2-pin connector to the 2-pin receptacle inside the electronics connections box.



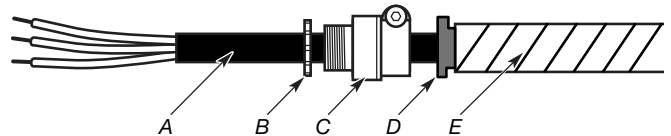
- A. Wiring cable with 3-pin connector
- B. Electronics box
- C. UL strain relief (connected on wiring)
- D. Screws M4 x 9.5 mm (6)
- E. Flat wiring – with PCB connector
- F. Wiring cable with 2-pin connector

4. Install the flat wiring with the printed circuit board (PCB) connector from the front of the cooktop into the electronics connections box. Use a T20® TORX® driver to install screws and the UL strain relief connected to the flat wire to the electronics box. Plug in the flat connector to the PCB receptacle inside the electronics connections box.
5. Install the wiring cable with the 3-pin connector from the front of the cooktop into the electronics connections box. Use a T20® TORX® driver to install screws and the UL strain relief connected to the wire to the electronics box. Plug in the 3-pin connector to the 3-pin receptacle inside the electronics box.
6. Use a T20® TORX® driver to reinstall 2 screws and the electronics connections box cover.

Electrical Connections – Cooktop to Junction Box on the Blower Motor Assembly

1. Disconnect power.
2. Use a T20® TORX® driver to remove (2) screws and the electrical junction box cover and set aside (if not removed).

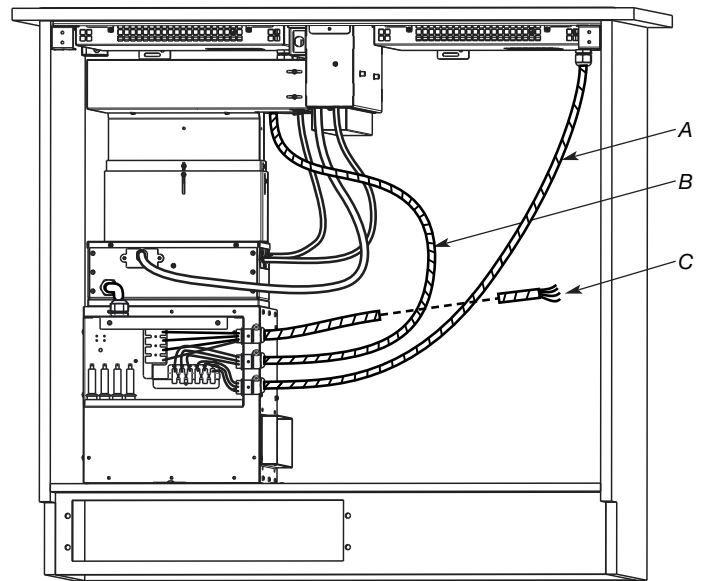
Conduit from Left Cooktop Assembly



- A. Wire cable from left induction cooktop
- B. Nut – UL strain relief
- C. UL strain relief
- D. Conduit anti-short bushing
- E. Conduit from left induction cooktop

NOTE: Illustration shown has been disassembled for reference.

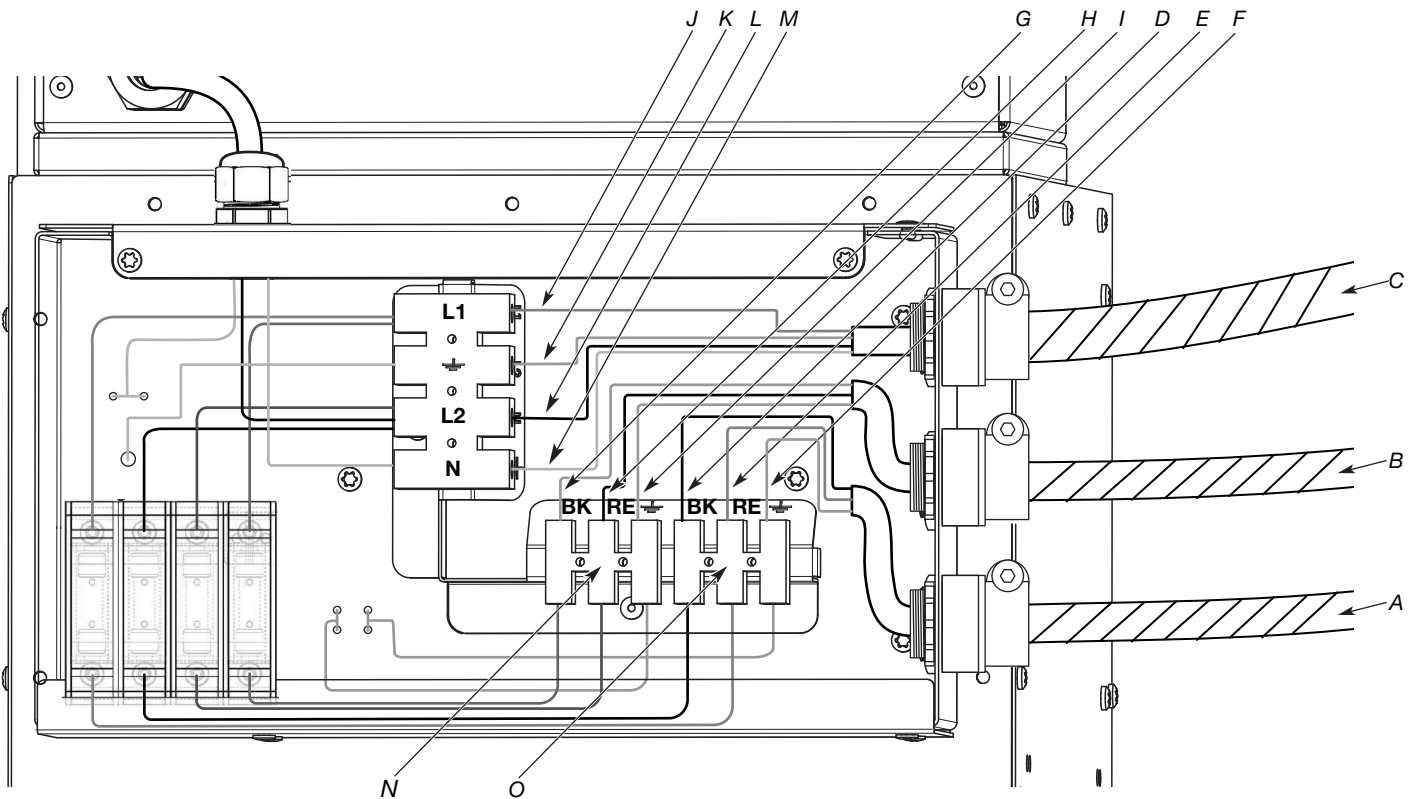
3. Remove the nut from the UL strain relief and conduit assembly.
4. Install the wires and UL strain relief into the middle hole in the right side of the electrical junction box. Install the UL strain relief nut over the wires and onto the UL strain relief inside the electrical box and tighten. (Ensure the UL strain relief screw is positioned so that it is accessible for tightening, if required).



- A. 3-wire conduit from right cooktop
- B. 3-wire conduit from left cooktop
- C. 4-wire power supply conduit to home power supply

5. Loosen the 3 terminal screws (upper empty terminal) in the left end of the horizontal terminal block. (See N in the “Electrical Junction Box” section.)
6. Install the black wire to the left terminal location marked “BK.” Tighten the terminal screw. (See N in the “Electrical Junction Box” section.)
7. Install the red wire to the left terminal location marked “RE.” Tighten the terminal screw. (See N in the “Electrical Junction Box” section.)
8. Install the yellow-green wire to the left terminal location marked with the ground symbol. Tighten terminal screw. (See N in the “Electrical Junction Box” section.)

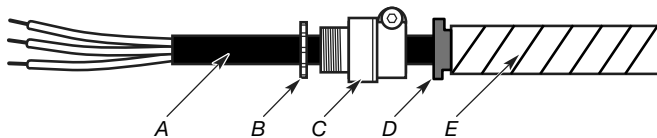
Electrical Junction Box



- A. 3-wire conduit from right cooktop
- B. 3-wire conduit from left cooktop
- C. 4-wire power supply conduit to home power supply
- D. Black wire - right cooktop
- E. Red wire - right cooktop
- F. Yellow-green wire - right cooktop
- G. Black wire - left cooktop

- H. Red wire - left cooktop
- I. Yellow-green wire - left cooktop
- J. Red wire to home power supply
- K. Yellow-green wire to home power supply
- L. Black wire to home power supply
- M. White wire to home power supply
- N. Horizontal terminal block - left
- O. Horizontal terminal block - right

Conduit from Right Cooktop Assembly



- A. Wire cable from right induction cooktop
- B. Nut - UL strain relief
- C. UL strain relief
- D. Conduit anti-short bushing
- E. Conduit from right induction cooktop

NOTE: Illustration shown has been disassembled for reference.

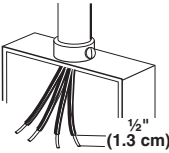
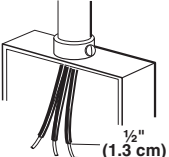
9. Remove the nut from the UL strain relief and conduit assembly.
10. Install the wires and UL strain relief into the bottom hole in the right side of the electrical junction box. Install the UL strain relief nut over the wires and onto the UL strain relief inside the electrical box and tighten. (Ensure the UL strain relief screw is positioned so that it is accessible for tightening, if required).
11. Loosen the 3 terminal screws (upper empty terminals) in the right end of the horizontal terminal block. (See O in the "Electrical Junction Box" section.)

12. Install the black wire to the right terminal location marked "BK." Tighten the terminal screw. (See O in the "Electrical Junction Box" section.)
13. Install the red wire to the right terminal location marked "RE." Tighten the terminal screw. (See O in the "Electrical Junction Box" section.)
14. Install the yellow-green wire to the right terminal location marked with the ground symbol. Tighten the terminal screw. (See O in the "Electrical Junction Box" section.)
15. Install the electrical connection box cover and tighten the 2 screws.

Electrical Connections - Downdraft Cooktop to Home Power Supply

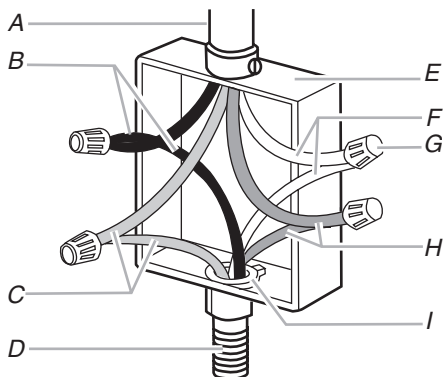
1. Disconnect power.
2. Remove home power supply junction box cover, if present.
3. Remove the knockout from the home power supply junction box and install a UL listed or CSA approved strain relief.
4. Install the wires and conduit through the UL strain relief into the home power supply junction box.
5. Tighten the strain relief screw(s) to secure the conduit and wires to the home power supply junction box.
6. See the "Electrical Connection Options" chart to complete installation for your type of electrical connection.

Electrical Connection Options

If your home has:	And you will be connecting to:	Go to section:
4-wire 	A fused disconnect or circuit breaker box	4-Wire Cable from Home Power Supply to 4-Wire Cable from Cooktop
3-wire 	A fused disconnect or circuit breaker box	3-Wire Cable from Home Power Supply to 4-Wire Cable from Cooktop

4-Wire Cable from Home Power Supply to 4-Wire Cable from Cooktop

IMPORTANT: Use the 4-wire cable from home power supply in the U.S. where local codes do not allow grounding through neutral, new branch circuit installations (1996 NEC), mobile homes and recreational vehicles, new construction, and in Canada.

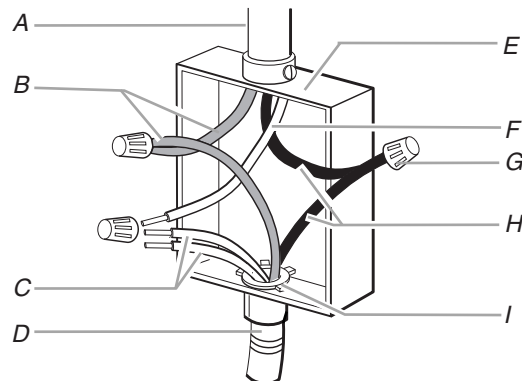


- A. Cable from home power supply
- B. Black wires
- C. Green or yellow-green ground wires
- D. 4-wire cable from cooktop
- E. Junction box
- F. White wires
- G. UL listed wire connector
- H. Red wires
- I. UL listed or CSA approved conduit connector

1. Connect the 2 black wires together using the UL listed wire connectors.
2. Connect the 2 red wires together using the UL listed wire connectors.
3. Connect the 2 white wires together using the UL listed wire connectors.
4. Connect the green (or yellow-green) ground wire from the cooktop cable to the green (or yellow-green) ground wire (in the junction box) using the UL listed wire connectors.
5. Install junction box cover.

3-Wire Cable from Home Power Supply to 4-Wire Cable from Cooktop – U.S. Only

IMPORTANT: Use the 3-wire cable from power supply where local codes permit connecting the frame-ground conductor to the neutral (white) junction box wire.



- A. Cable from home power supply
- B. Red wires
- C. White wire and green (or yellow-green) wire (from cooktop)
- D. 4-wire cable from cooktop
- E. Junction box
- F. White wire
- G. UL listed wire connector
- H. Black wires
- I. UL listed or CSA approved conduit connector

1. Connect the 2 black wires together using the UL listed wire connectors.
2. Connect the 2 red wires together using the UL listed wire connectors.
3. Connect the green or yellow-green and white cooktop cable wires to the white (neutral) wire in the junction box using the UL listed wire connectors.
4. Install junction box cover.

Complete Installation

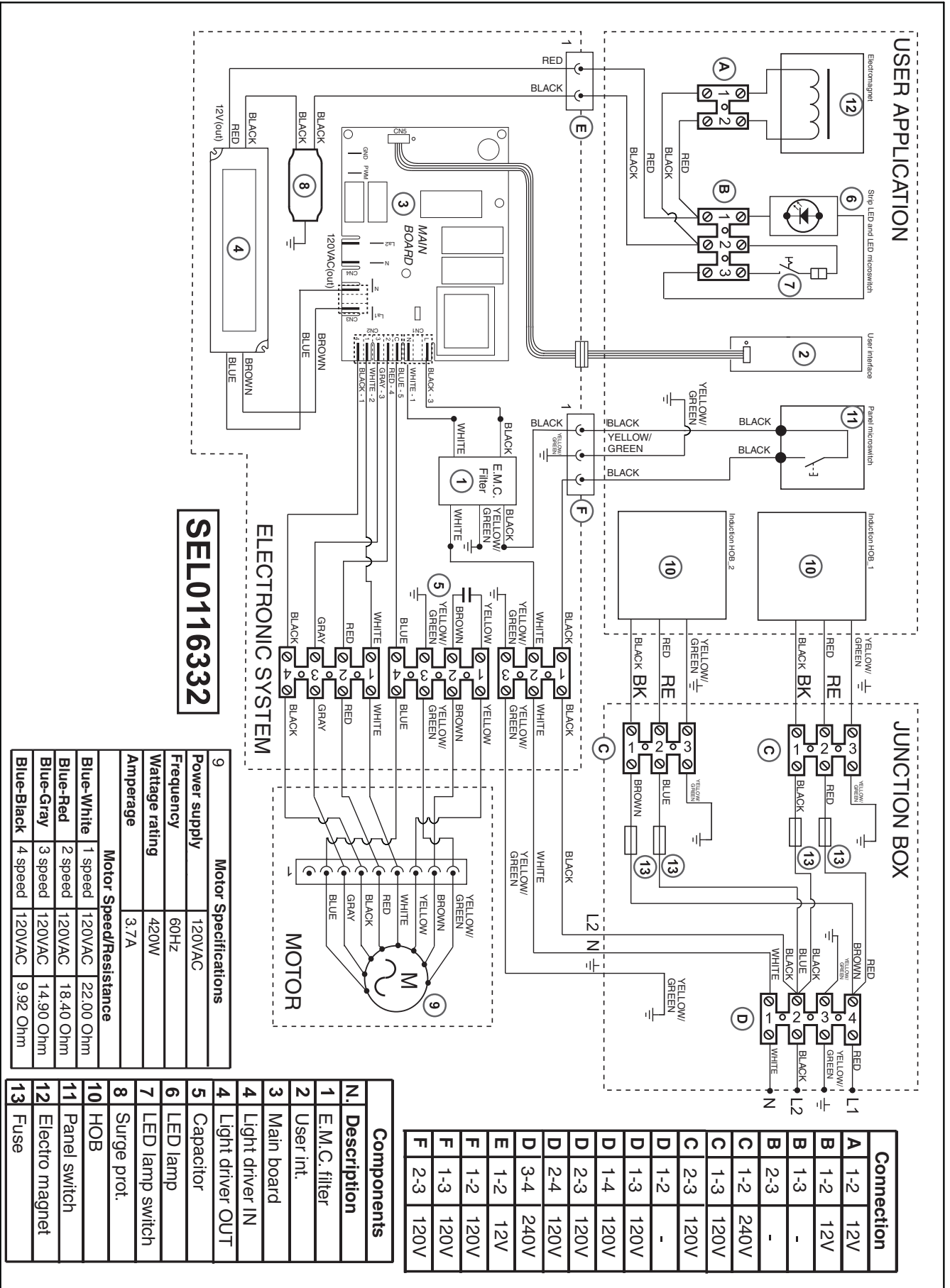
1. Check that all parts are now installed. If there is an extra part, go back through the steps to see which step was skipped.
2. Check that you have all your tools.
3. Dispose of/recycle all packaging materials.
4. Use a mild solution of liquid household cleaner and warm water to clean cooktop before use. Dry thoroughly with a soft cloth. For more information, see the “Cooktop Care” section of your Use and Care manual.
5. See the “Cooktop Use” section of your Use and Care manual.
6. Reconnect power.

NOTE: If the cooktop does not work after turning on the power, check that a circuit breaker has not tripped or a household fuse has not blown. See the “Troubleshooting” section of your Use and Care manual for further information.

If you need Assistance or Service:

Please reference the “Warranty” section of your Use and Care manual.

WIRE DIAGRAM



SEL0116332

Motor Specifications	
Power supply	120VAC
Frequency	60Hz
Wattage rating	420W
Amperage	3.7A
Motor Speed/Resistance	
Blue-White	1 speed 120VAC 22.00 Ohm
Blue-Red	2 speed 120VAC 18.40 Ohm
Blue-Gray	3 speed 120VAC 14.90 Ohm
Blue-Black	4 speed 120VAC 9.92 Ohm

Components	
N.	Description
1	E.M.C. filter
2	User int.
3	Main board
4	Light driver IN
4	Light driver OUT
5	Capacitor
6	LED lamp
7	LED lamp switch
8	Surge prot.
10	HOB
11	Panel switch
12	Electro magnet
13	Fuse

Connection	
A	1-2 12V
B	1-2 12V
B	1-3 -
B	1-3 -
C	1-2 240V
C	1-3 120V
C	2-3 120V
D	1-2 -
D	1-3 120V
D	1-4 120V
D	2-3 120V
D	2-4 120V
E	1-2 12V
F	1-2 120V
F	1-3 120V
F	2-3 120V

SÉCURITÉ DE LA TABLE DE CUISSON

Votre sécurité et celle des autres est très importante.

Nous donnons de nombreux messages de sécurité importants dans ce manuel et sur votre appareil ménager. Assurez-vous de toujours lire tous les messages de sécurité et de vous y conformer.



Voici le symbole d'alerte de sécurité.

Ce symbole d'alerte de sécurité vous signale les dangers potentiels de décès et de blessures graves à vous et à d'autres.

Tous les messages de sécurité suivront le symbole d'alerte de sécurité et le mot "DANGER" ou "AVERTISSEMENT". Ces mots signifient :

⚠ DANGER

Risque possible de décès ou de blessure grave si vous ne suivez pas immédiatement les instructions.

⚠ AVERTISSEMENT

Risque possible de décès ou de blessure grave si vous ne suivez pas les instructions.

Tous les messages de sécurité vous diront quel est le danger potentiel et vous disent comment réduire le risque de blessure et ce qui peut se produire en cas de non-respect des instructions.

IMPORTANTES INSTRUCTIONS DE SÉCURITÉ

AVERTISSEMENT : POUR RÉDUIRE LE RISQUE D'INCENDIE, CHOC ÉLECTRIQUE OU DOMMAGES CORPORELS, RESPECTER LES INSTRUCTIONS SUIVANTES :

- Utiliser cet appareil uniquement dans les applications envisagées par le fabricant. Pour toute question, contacter le fabricant.
- Avant d'entreprendre un travail d'entretien ou de nettoyage, interrompre l'alimentation de la hotte au niveau du tableau de disjoncteurs, et verrouiller le tableau de disjoncteurs pour empêcher tout rétablissement accidentel de l'alimentation du circuit. Lorsqu'il n'est pas possible de verrouiller le tableau de disjoncteurs, placer sur le tableau de disjoncteurs une étiquette d'avertissement proéminente interdisant le rétablissement de l'alimentation.
- Tout travail d'installation ou câblage électrique doit être réalisé par une personne qualifiée, dans le respect des prescriptions de tous les codes et normes applicables, y compris les codes du bâtiment et de protection contre les incendies.
- Ne pas faire fonctionner un ventilateur dont le cordon ou la fiche est endommagé(e). Jeter le ventilateur ou le retourner à un centre de service agréé pour examen et/ou réparation.
- Une source d'air de débit suffisant est nécessaire pour le fonctionnement correct de tout appareil à gaz (combustion et évacuation des gaz à combustion par la cheminée), pour qu'il n'y ait pas de reflux des gaz de combustion. Respecter les directives du fabricant de l'équipement de chauffage et les prescriptions des normes de sécurité - comme celles publiées par la National Fire Protection Association (NFPA) et l'American Society for Heating, Refrigeration and Air Conditioning Engineers (ASHRAE), et les prescriptions des autorités réglementaires locales.
- Lors des opérations de découpage et de perçage dans un mur ou un plafond, ne pas endommager les câblages électriques et les canalisations qui peuvent s'y trouver.
- Les ventilateurs d'évacuation doivent toujours décharger l'air à l'extérieur.

MISE EN GARDE : Cet appareil est conçu uniquement pour la ventilation générale. Ne pas l'utiliser pour l'extraction de matières ou vapeurs dangereuses ou explosives.

MISE EN GARDE : Pour minimiser le risque d'incendie et évacuer adéquatement les gaz, veiller à acheminer l'air aspiré par un conduit jusqu'à l'extérieur - ne pas décharger l'air aspiré dans un espace vide du bâtiment comme une cavité murale, un plafond, un grenier, un vide sanitaire ou un garage.

AVERTISSEMENT : POUR RÉDUIRE LE RISQUE D'INCENDIE, UTILISER UNIQUEMENT DES CONDUITS MÉTALLIQUES.

AVERTISSEMENT : POUR MINIMISER LE RISQUE D'UN FEU DE GRAISSE SUR LA CUISINIÈRE :

- Ne jamais laisser un élément de surface fonctionner à puissance de chauffage maximale sans surveillance. Un renversement/débordement de matière grasseuse pourrait provoquer une inflammation et la génération de fumée. Utiliser une puissance de chauffage moyenne ou basse pour le chauffage d'huile.
- Veiller à toujours faire fonctionner le ventilateur de la hotte lors de la cuisson avec une puissance de chauffage élevée ou lors de la cuisson d'un mets à flamber (à savoir crêpes Suzette, cerise jubilee, steak au poivre flambé).
- Nettoyer fréquemment les ventilateurs d'extraction. Veiller à ne pas laisser la graisse s'accumuler sur les surfaces du ventilateur ou des filtres.
- Utiliser toujours un ustensile de taille appropriée. Utiliser toujours un ustensile adapté à la taille de l'élément chauffant.

AVERTISSEMENT : POUR RÉDUIRE LE RISQUE DE DOMMAGES CORPORELS APRÈS LE DÉCLENCHEMENT D'UN FEU DE GRAISSE SUR LA CUISINIÈRE, APPLIQUER LES RECOMMANDATIONS SUIVANTES :^a

- Placer sur le récipient un couvercle bien ajusté, une tôle à biscuits ou un plateau métallique POUR ÉTOUFFER LES FLAMMES, puis éteindre le brûleur. VEILLER À ÉVITER LES BRÛLURES. Si les flammes ne s'éteignent pas immédiatement, ÉVACUER LA PIÈCE ET APPELER LES POMPIERS.
- NE JAMAIS PRENDRE EN MAIN UN RÉCIPENT ENFLAMMÉ - vous risquez de vous brûler.
- NE PAS UTILISER D'EAU, ni un torchon humide - ceci pourrait provoquer une explosion de vapeur brûlante.
- Utiliser un extincteur SEULEMENT si :
 - Il s'agit d'un extincteur de classe ABC, dont on connaît le fonctionnement.
 - Il s'agit d'un petit feu encore limité à l'endroit où il s'est déclaré.
 - Les pompiers ont été contactés.
 - Il est possible de garder le dos orienté vers une sortie pendant l'opération de lutte contre le feu.

^aRecommandations tirées des conseils de sécurité en cas d'incendie de cuisine publiés par la NFPA.

- **AVERTISSEMENT :** Pour réduire le risque d'incendie ou de choc électrique, ne pas utiliser ce ventilateur avec un quelconque dispositif de réglage de la vitesse à semi-conducteurs.

LIRE ET CONSERVER CES INSTRUCTIONS

EXIGENCES D'INSTALLATION

Outillage et pièces

Rassembler les outils et pièces nécessaires avant d'entreprendre l'installation. Lire et observer les instructions fournies avec chacun des outils de la liste ci-dessous.

Outils nécessaires

- Mètre-ruban
- Tournevis Phillips
- Tournevis à lame plate
- Niveau
- Perceuse
- Tournevis TORX®† T20®†
- Marqueur ou crayon
- Pince
- Scie sauteuse
- Calfeutrage
- Ruban adhésif en aluminium

Pièces fournies

Vérifier que toutes les pièces sont présentes.

- Table de cuisson
- Boîtier du ventilateur avec boîtier électrique
- (4) supports de fixation pour table de cuisson (coins)
- Filtre à graisse
- (11) vis M4 x 9,5 mm (Serre-câbles pour conduits et boîtier électrique)
- (16) vis M4 x 12 mm (supports de fixation de la table de cuisson au placard)
- (4) vis M6 x 16 mm (moteur du ventilateur au fond du placard)
- (4) vis à tête plate M5 x 10 mm (pied de fixation au bas du moteur du ventilateur)
- (4) vis à tête M5 x 50 mm (supports de fixation de la table de cuisson à la table de cuisson)
- (4) contre-écrous M5
- (4) rondelles plates M5
- (2) serre-câbles de 7/8" (2,2 cm) homologués UL ou CSA
- Conduit rectangulaire télescopique en deux morceaux (ventilateur à la table de cuisson)
- Bande de mousse

Pièces nécessaires

- Un collier de serrage homologué par UL ou CSA pour alvéole défonçable de 7/8" (2,2 cm).
- (4) connecteurs de fils homologués par UL pour câbles de calibre 8

Installations avec décharge à l'extérieur :

- Conduit métallique de 3 1/4" x 10" (8,3 cm x 25,4 cm)
- Clapet mural Jenn-Air® : Clapet de décharge murale en surface Jenn-Air® 3 1/4" x 10" (8,3 cm x 25,4 cm). Référence de commande A403.

Voir la section "Assistance ou service" dans le Guide d'utilisation et d'entretien pour des renseignements de commande.

Pour les installations sans décharge à l'extérieur :

- Ensemble de recyclage (pièce numéro W10807915) (Voir la section "Assistance ou service" dans le Guide d'utilisation et d'entretien pour des renseignements de commande.)
 - a. Boîtier de conduit de recyclage
 - b. (4) Vis de montage
 - c. (2) Filtres à charbon
 - d. Couvercle du boîtier de recyclage
 - e. (2) Vis de montage — couvercle

- f. Extension de conduit
- g. (4) Vis de montage — extension de conduit

Pour les installations sur le côté sans ventilation seulement :

- Conduit en métal de 3 1/4" x 10" (8,3 cm x 25,4 cm) - la longueur requise est déterminée par la distance entre l'échappement et la surface arrière plate du boîtier de l'ensemble de recyclage.

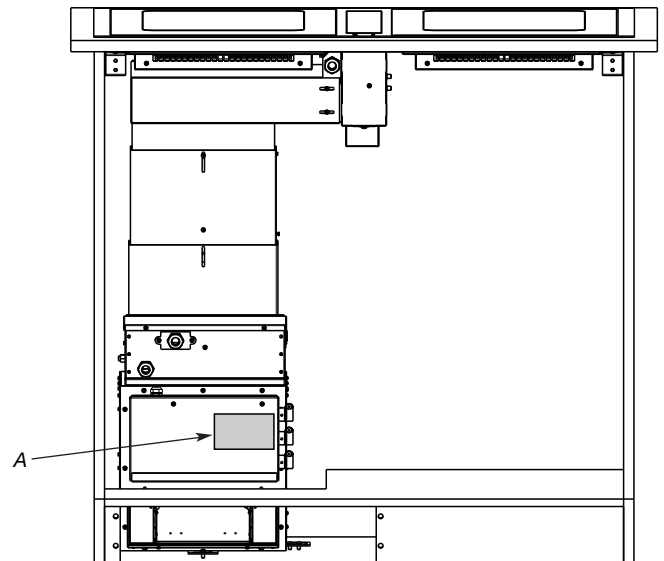
Consulter les codes locaux. Vérifier l'alimentation électrique existante. Voir la section "Spécifications électriques".

Il est recommandé de faire réaliser tous les raccordements électriques par un électricien qualifié agréé.

Exigences d'emplacement

IMPORTANT : Observer les dispositions de tous les codes et règlements en vigueur. Lors de l'installation de la table de cuisson, utiliser les dimensions minimales indiquées.

- Afin de supprimer le risque de brûlures ou d'incendie en se penchant au-dessus des unités de surface chauffées, le rangement en armoire au-dessus des unités de surface doit être évité. Si des placards de rangement sont envisagés, le risque peut être réduit par l'installation d'une hotte de cuisinière dépassant le bas des placards d'au moins 5" (12,7 cm) horizontalement.
- Utiliser les dimensions d'ouverture du plan de travail qui sont indiquées dans ces Instructions d'installation. Les dimensions données sont les espacements minimaux et fournissent un dégagement de 0" (0 cm).
- La plaque signalétique des numéros de modèle et de série est située sur la face avant de la boîte de couvercle de la boîte de raccordement électrique.



A. Emplacement de la plaque signalétique

- Une source d'électricité avec liaison à la terre est nécessaire. Voir la section "Spécifications électriques".
- Si le placard comporte des tiroirs, ces tiroirs doivent être retirés et l'avant des tiroirs installé sur l'avant du placard.

REMARQUE : Le système d'évacuation est conçu pour une évacuation vers l'extérieur. Pour une installation sans décharge à l'extérieur (recyclage), voir "Installations sans décharge à l'extérieur (recyclage) uniquement" à la section "Raccordement du circuit d'évacuation". L'ensemble de recyclage (pièce numéro W10807915) est disponible chez votre marchand ou chez un distributeur de pièces autorisé.

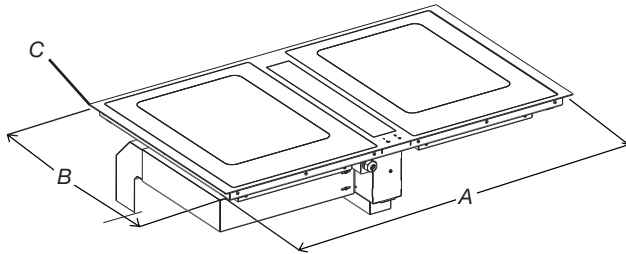
IMPORTANT : Il n'est pas possible d'installer un four encastré sous plan de travail sous ce produit.

†®TORX et T20 sont des marques déposées de Acument Intellectual Properties, LLC.

Dimensions du produit

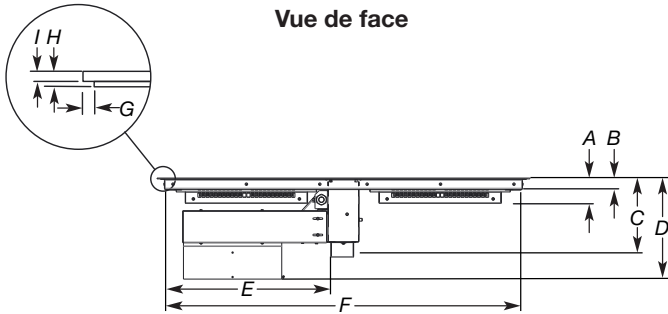
Table de cuisson

Vue de dessus



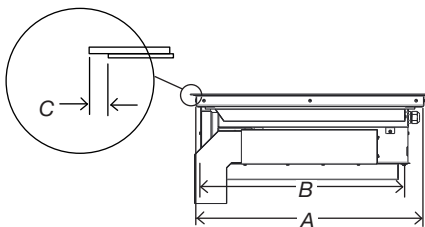
- A. 36" (91,4 cm)
- B. 21¹¹/₃₂" (54,2 cm)
- C. 5⁵/₆₄" (2,0 mm) rayon (rayon des 4 coins)

Vue de face



- A. 2⁹/₃₂" (6,5 cm)
- B. 1³/₃₂" (2,8 cm)
- C. 7⁷/₈" (18,7 cm)
- D. 9⁵/₈" (24,5 cm)
- E. 15²⁵/₃₂" (40,1 cm)
- F. 34⁹/₁₆" (87,8 cm)
- G. 1¹/₃₂" (8,45 mm) côtés types
- H. 1¹/₈" (3,25 mm)
- I. 5⁵/₆₄" (2,0 mm)

Vue latérale - Gauche

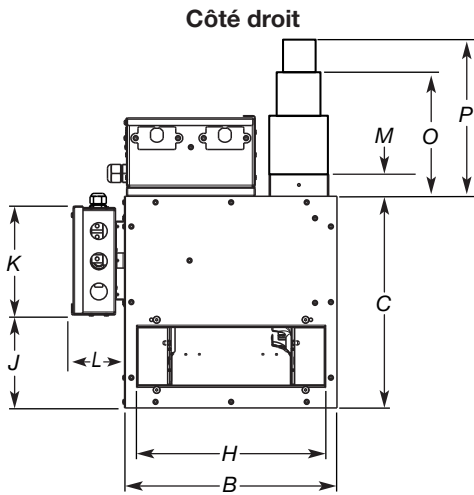
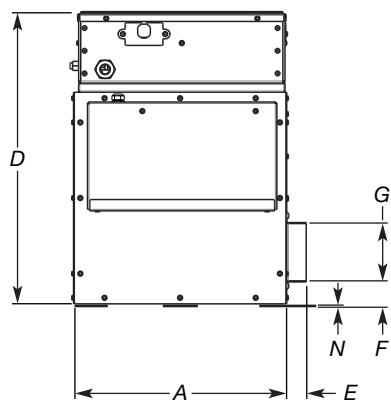


- A. 20⁹/₃₂" (51,5 cm)
- B. 18¹/₂" (47,0 cm)
- C. 9⁹/₃₂" (7,2 mm) typique avant et arrière

Carter du ventilateur

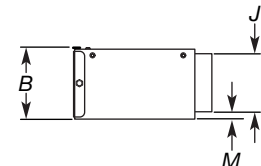
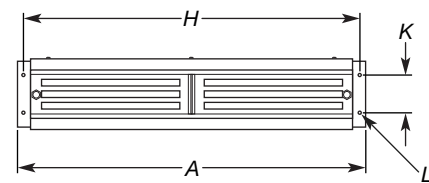
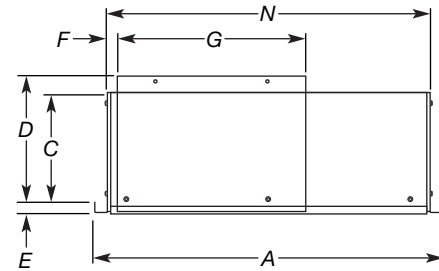
REMARQUE : Hotte d'évacuation - illustrée pour l'évacuation à droite. Elle peut également être positionnée pour l'évacuation à gauche ou à l'avant.

Avant



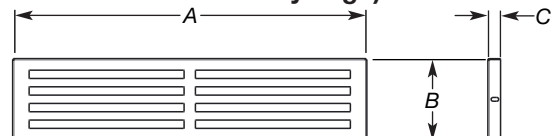
- A. 11¹/₈" (28,2 cm)
- B. 11¹/₃₂" (28,0 cm)
- C. 11¹/₈" (28,3 cm)
- D. 15¹/₄" (38,7 cm)
- E. Position type à droite, à gauche ou à l'avant 1⁵/₁₆" (2,4 cm)
- F. Position type à droite, à gauche ou à l'avant 7¹/₁₆" (1,1 cm)
- G. Position type à droite, à gauche ou à l'avant 3¹/₈" (7,9 cm)
- H. Position type à droite, à gauche ou à l'avant 9⁷/₈" (25,0 cm)
- J. 4¹⁵/₁₆" (12,5 cm)
- K. 5⁵/₈" (14,4 cm)
- L. 2³/₄" (7,0 cm)
- M. 1¹/₈" (2,9 cm)
- N. 5⁵/₆₄" (0,2 cm)
- O. 9" (22,9 cm) min.
- P. 15¹/₄" (38,7 cm) max.

Ensemble de recyclage (accessoire)



- A. 18³/₈" (46,6 cm)
- B. 3³/₄" (9,5 cm)
- C. 5³/₄" (14,7 cm)
- D. 6³/₄" (17,1 cm)
- E. 9⁹/₁₆" (14 mm)
- F. 9⁹/₁₆" (14 mm)
- G. 9⁷/₈" (25,0 cm)
- H. 17⁵/₈" (44,8 cm)
- J. 3³/₃₂" (7,8 cm)
- K. 2" (5,0 cm)
- L. Diamètre 3¹/₁₆" (4,8 mm) (4)
- M. 5⁵/₁₆" (7,9 mm)
- N. 17" (43,2 cm)

Couvercle du mode de recyclage (partie de l'ensemble de recyclage)



- A. 18¹/₂" (47,0 cm)
- B. 3³¹/₃₂" (10,1 cm)
- C. 1¹/₁₆" (1,7 cm)

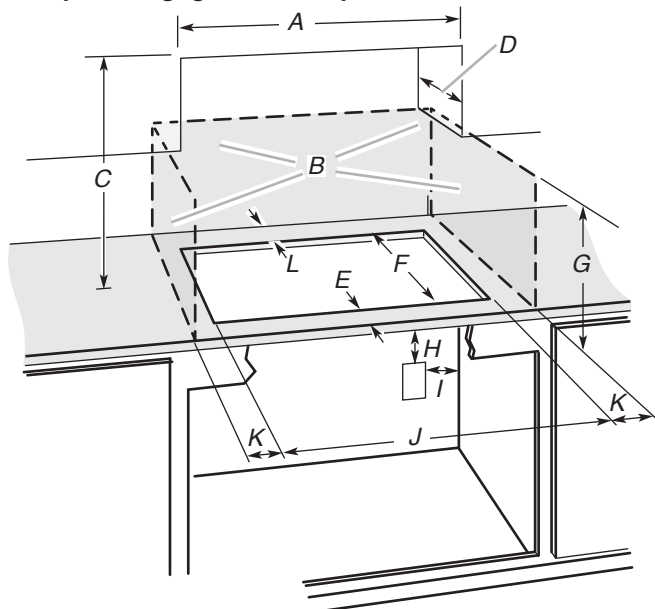
Dimensions du placard

IMPORTANT : En cas d'installation d'une hotte ou d'un ensemble hotte/micro-ondes au-dessus de la cuisinière, suivre les instructions fournies avec la hotte ou l'ensemble hotte/micro-ondes concernant les dimensions de dégagement à respecter au-dessus de la surface de la table de cuisson.

REMARQUES :

- Les dimensions de l'espace entre les placards correspondent à une installation entre des placards de 24" (61 cm) de profondeur, avec plan de travail de 25" (64 cm) de profondeur et de 36" (91,4 cm) de hauteur. Les dimensions doivent être respectées pour que les éléments soient en affleurement avec la paroi arrière.
- Pour plus de précisions, toutes les illustrations pour les placards sont présentées avec la porte et le panneau avant déposés.

Découpe et dégagements du plan de travail



- A. 36" (91,4 cm)
- B. Zone de matière combustible au-dessus du plan de travail (espace délimité par des lignes pointillées ci-dessus)
- C. Distance minimale de séparation de 30" (76,2 cm) entre le dessus de la table de cuisson et le fond d'un placard métallique ou de bois non couvert (distance de séparation de 24" [61 cm] ou plus si le fond du placard de métal ou de bois est recouvert d'une plaque d'au moins 1/4" (0,6 cm) de matériau résistant aux flammes, lui-même recouvert d'une feuille métallique d'une épaisseur correspondant à un calibre de 28 au moins pour l'acier, 0,015" [0,04 cm] pour l'acier inoxydable, 0,024" [0,06 cm] pour l'aluminium ou 0,020" [0,05 cm] pour le cuivre)
- D. Profondeur recommandée pour les placards supérieurs : 13" (33 cm)
- E. 2 1/16" (6,8 cm)
- F. 20 7/8" (53,0 cm)
- G. Distance de séparation minimale de 18" (45,7 cm) entre le placard supérieur et le plan de travail avec distance minimale de séparation horizontale pour la table de cuisson
- H. Boîtier de connexion ou prise électrique; 12" (30,5 cm) ou plus depuis le bas du plan de travail
- I. Boîtier de connexion ou prise électrique; maximum 24" (61 cm) depuis l'axe central du placard
- J. 35 1/16" (90,0 cm)
- K. Distance de séparation minimale de 2 1/2" (6,4 cm) par rapport à la surface de matériau combustible la plus proche, à gauche ou à droite au-dessus de la table de cuisson
- L. Distance de séparation minimale de 1 15/32" (3,7 cm) ou plus entre la paroi arrière et le plan de travail

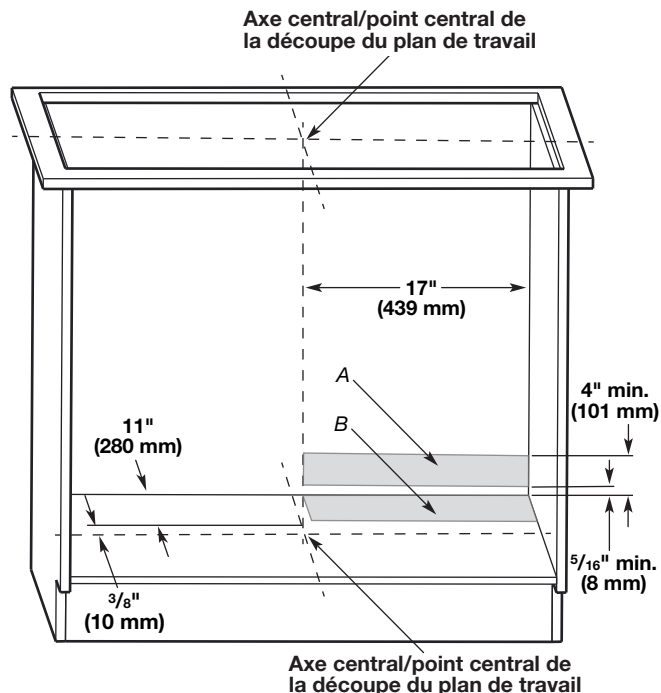
REMARQUE : Après le découpage de l'ouverture dans le plan de travail, il est possible que pour certaines configurations d'installation, il soit nécessaire d'entailler les parois latérales du placard inférieur pour permettre le passage de la base de la table de cuisson. Pour éviter cette modification, utiliser un placard inférieur dont la largeur entre parois latérales est supérieure à celle de l'ouverture découpée.

Dimensions de l'ouverture à découper

REMARQUE : Toutes les dimensions de découpes du placard doivent être situées à partir de l'axe central/du point central de la découpe du plan de travail.

Style 1 – Découpes du placard pour les installations avec évacuation à l'extérieur

Zones de découpe du placard pour évacuation du côté droit du moteur du ventilateur à l'arrière ou à travers le plancher. Toutes les découpes doivent être situées à partir de l'axe central/du point central de la découpe du plan de travail.

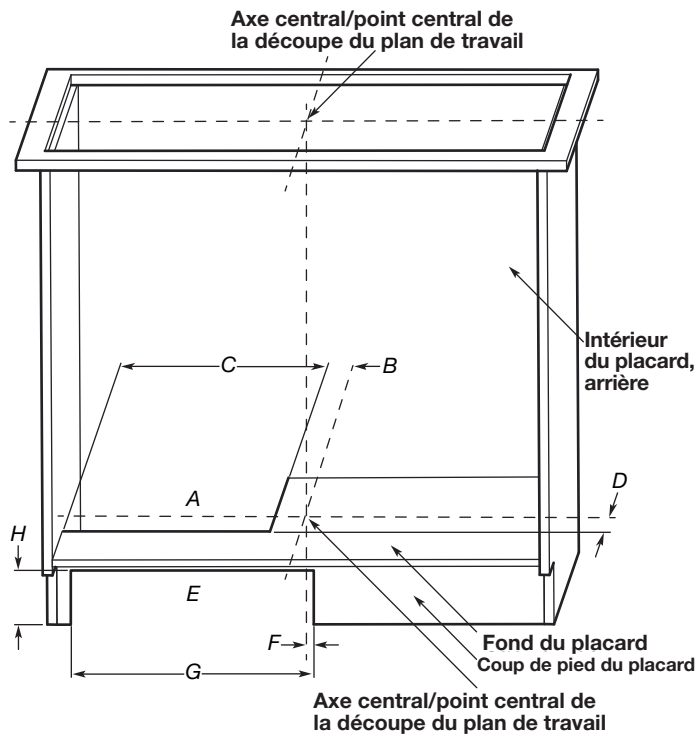


- A. La zone d'alimentation en air à l'arrière du placard est pour l'évacuation de l'arrière du placard, à l'aide d'un conduit d'évacuation de 3 1/4" x 10" (8,3 cm x 25,4 cm) et d'un coude plat à 90°.
- B. La zone d'alimentation en air dans le fond du placard est pour l'évacuation par le fond du placard, à l'aide d'un conduit d'évacuation de 3 1/4" x 10" (8,3 cm x 25,4 cm) et d'un coude à 90°.

REMARQUE : Les zones grises représentent l'emplacement des conduits.

Style 2 – Découpes du placard pour les installations avec plaque frontale de recirculation

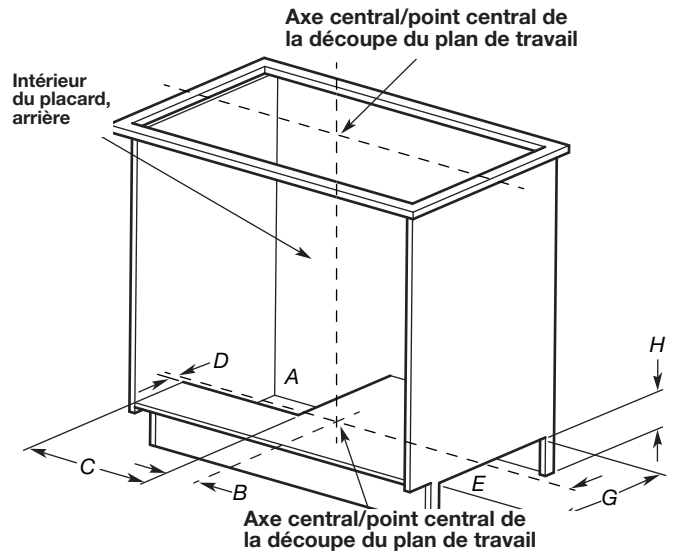
Zones de découpe du placard pour évacuation par recirculation à l'avant du moteur du ventilateur vers le panneau avant du placard.



- A. Découpe dans le fond du placard pour le boîtier du moteur du ventilateur – position recirculation
- B. $2\frac{1}{2}$ " (6,4 cm)
- C. $14\frac{3}{4}$ " (37,5 cm)
- D. $3\frac{3}{4}$ " (9,5 cm)
- E. Découpe dans le panneau avant du placard pour le conduit de recirculation
- F. $\frac{13}{16}$ " (2,0 cm)
- G. $17\frac{3}{64}$ " (43,3 cm)
- H. $3\frac{31}{32}$ " (10,1 cm)

Style 3 – Découpes du placard pour les installations avec recirculation latérale

Zones de découpe du placard pour évacuation par recirculation du côté droit du moteur du ventilateur vers le côté droit du placard.



- A. Découpe dans le fond du placard pour le boîtier du moteur du ventilateur – position recirculation
- B. $2\frac{1}{2}$ " (6,4 cm)
- C. $14\frac{3}{4}$ " (37,5 cm)
- D. $3\frac{3}{4}$ " (9,5 cm)
- E. Découpe dans le panneau de droite du placard pour le conduit de recirculation
- F. $\frac{63}{16}$ " (16,0 cm)
- G. $17\frac{3}{64}$ " (43,3 cm)
- H. $3\frac{31}{32}$ " (10,1 cm)

Utiliser les mêmes dimensions de découpe du placard E, F, G et H pour la recirculation du côté gauche du placard.

REMARQUE : Recommandation concernant la recirculation du côté gauche : Il doit y avoir un minimum de $7\frac{5}{8}$ " (19,4 cm) entre le panneau avant de l'ensemble de boîtier du moteur du ventilateur et la partie gauche à l'extérieur du placard.

Exigences concernant l'évacuation

IMPORTANT : Cette cuisinière doit être évacuée à l'extérieur à moins d'utiliser un système de recyclage. Voir la section "Méthodes d'évacuation" et "Accessoires" dans le Guide d'utilisation et d'entretien pour des renseignements de commande.

- Ne pas terminer le circuit d'évacuation dans un grenier ou dans un autre espace clos.
- Le circuit doit évacuer l'air à l'extérieur.
- Utiliser uniquement un conduit métallique rond de 6" (15,2 cm) ou un conduit métallique rectangulaire de 3/4" x 10" (8,3 cm x 25,4 cm) Un conduit en métal rigide est recommandé. Ne pas utiliser de conduit de plastique ou de métal très mince.
- Avant d'effectuer des coupes, s'assurer que l'espace est suffisant sur le mur ou le plancher pour le conduit d'évacuation.
- On ne doit couper un poteau de colombage ou une solive que si c'est absolument nécessaire. Dans ce cas, on devra construire une structure de support appropriée.
- La taille du conduit doit être uniforme.
- Le circuit d'évacuation doit comporter un clapet antireflux.
- Utiliser des brides et du ruban adhésif pour conduit métallique afin d'assurer l'étanchéité de chaque jointure du circuit d'évacuation.
- À l'aide d'un produit de calfeutrage, assurer l'étanchéité autour de la bouche de décharge à l'extérieur (à travers le mur ou le toit).

- Déterminer la méthode d'évacuation la plus appropriée.

Pour une performance optimale :

- Utiliser un conduit métallique en acier galvanisé de calibre 26 minimum ou en aluminium de calibre 25 minimum. Des raccords de tube de qualité médiocre peuvent réduire la circulation d'air. On déconseille l'emploi d'un conduit métallique flexible pour une évacuation vers l'extérieur.

REMARQUE : Les codes locaux peuvent imposer un matériau d'épaisseur supérieure.

- Les conduits métalliques peuvent être réduits à de l'acier galvanisé de calibre 30 ou de l'acier aluminisé de calibre 26 si les codes locaux l'autorisent. Cette réduction repose sur les informations du document International Residential Codes Section M1601.1 (édition 2006).
- Ne pas installer 2 coudes successifs.
- Ne pas utiliser plus de trois coudes à 90°.
- Si un coude est utilisé, on doit le placer le plus loin possible de l'ouverture de décharge du ventilateur de la hotte.
- Veiller à incorporer une section de conduit rectiligne d'au moins 18" (45,7 cm) entre deux raccords coudés adjacents. Des coudes trop rapprochés peuvent occasionner une turbulence excessive qui réduit la circulation de l'air.
- Ne pas utiliser un coude de 5" (12,7 cm) dans un système de 6" (15,2 cm) ou 3/4" x 10" (8,3 cm x 25,4 cm).
- Ne pas effectuer de réduction en un circuit de 5" (12,7 cm) après avoir utilisé des raccords de 6" (15,2 cm) ou 3/4" x 10" (8,3 cm x 25,4 cm).
- Éviter les assemblages par sertissage à la main. Les sertissages à la main peuvent réduire la circulation d'air.
- Utiliser une bouche de décharge Jenn-Air®. Si une bouche de décharge de toit ou murale est utilisée, s'assurer que ses dimensions ne sont pas plus petites et qu'elle est équipée d'un clapet antiretour.
- Utiliser des brides et du ruban adhésif pour conduit métallique afin d'assurer l'étanchéité de chaque jointure du circuit d'évacuation.

- À l'aide d'un produit de calfeutrage, assurer l'étanchéité autour de la bouche de décharge à l'extérieur (à travers le mur ou le toit).

La longueur du circuit d'évacuation et le nombre de coudes doivent être réduits au minimum pour des performances optimales.

La longueur équivalente maximale du circuit d'évacuation est de 35 pi (10,7 m). À une altitude supérieure à 4500 pi (1272 m), réduire la longueur du circuit d'évacuation de 20 % pour une meilleure performance.

Installations dans les régions au climat froid

On devrait installer un clapet antiretour additionnel pour minimiser le reflux d'air froid et installer une barrière thermique pour minimiser la conduction des températures extérieures par l'intermédiaire du conduit d'évacuation. Le clapet antireflux doit être placé du côté air froid de la barrière thermique.

Air d'appoint

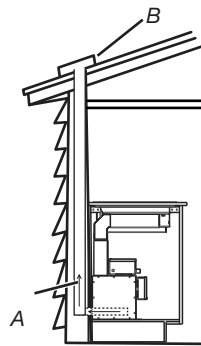
Les codes locaux en bâtiment peuvent imposer l'emploi d'un circuit de renouvellement de l'air/introduction d'air d'appoint, lors de l'utilisation d'un circuit d'aspiration de débit supérieur à une valeur spécifiée en pieds cubes par minute (CFM). Le débit spécifié en pieds cubes par minute varie d'une juridiction à l'autre.

Consulter un professionnel des installations de chauffage ventilation/climatisation au sujet des exigences spécifiques applicables dans la juridiction locale.

Méthodes d'évacuation

Les méthodes d'évacuation standard illustrées correspondent à une table de cuisson avec aspiration par le bas montée sur comptoir. L'évacuation de la table de cuisson peut se faire par le mur ou le plancher.

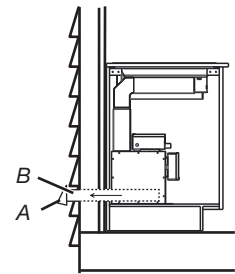
Option 1 – Décharge à travers le toit



A. Évacuation rectangulaire au plancher de 3/4" x 10" (8,3 cm x 25,4 cm)

B. Bouche de décharge sur toit

Option 2 – Décharge à travers le mur

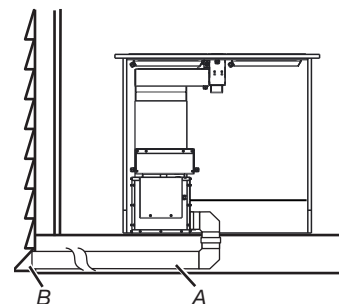


A. Évacuation rectangulaire murale de 3/4" x 10" (8,3 cm x 25,4 cm)

B. Bouche de décharge murale

Option 3 – Évacuation entre les solives au plancher

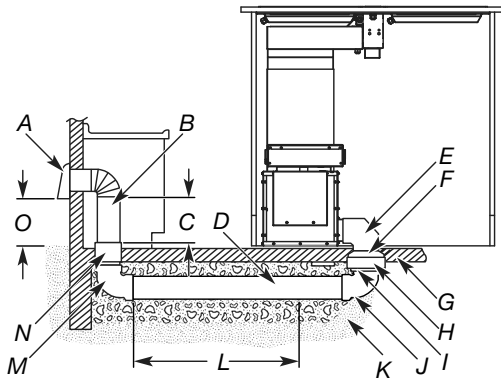
Vue avant du placard avec les portes retirées



A. Évacuation rectangulaire murale de 3/4" x 10" (8,3 cm x 25,4 cm)

B. Bouche de décharge murale

Installations sur dalle de béton – Évacuation par le mur



- A. Bouche de décharge murale
- B. Conduit métallique rond, dia. 6" (15,2 cm)
- C. 16" (40,6 cm) maximum
- D. Conduit PVC dia. 6" (15,2 cm) (pour égout)
- E. Coude de ventilation métallique rectangulaire 90° de 3 1/4" x 10" (8,3 cm x 25,4 cm)
- F. Raccord de transition entre conduit rectangulaire de 3 1/4" x 10" (8,3 cm x 25,4 cm) et conduit rond de diamètre 6" (15,2 cm)
- G. Raccord PVC de dia. 6" (15,2 cm)
- H. Dalle de béton
- I. Conduit PVC dia. 6" (15,2 cm) (pour égout)
- J. Coude à 90° en PVC pour égout dia. 6" (15,2 cm)
- K. Gravier ou sable compacté tout autour du tuyau
- L. 30 pi (9,1 m) maximum
- M. Coude à 90° rond en PVC pour égout 6" (15,2 cm)
- N. Raccord rond en PVD 6" (15,2 cm)
- O. 12" (30,5 cm) minimum

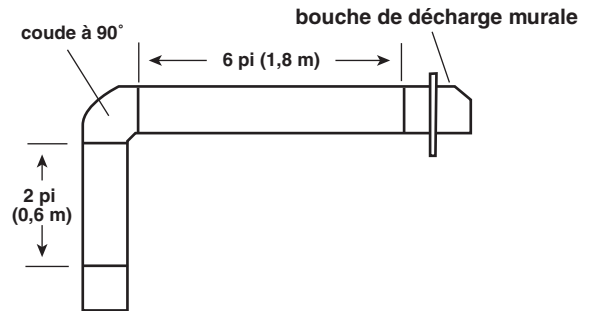
Calcul de la longueur du circuit d'évacuation

Pour calculer la longueur effective du circuit d'évacuation nécessaire, additionner les longueurs équivalentes (en pieds ou mètres) de tous les composants utilisés dans le circuit.

Composant	Conduit de diamètre de 6" (15,2 cm)	
Coude à 45°	2,5 pi (0,8 m)	
Coude à 90°	5,0 pi (1,5 m)	
Bouche de décharge murale de 6" (15,2 cm)	0,0 pi (0,0 m)	
Raccord de 3 1/4" x 10" (8,3 cm x 25,4 cm) vers 6" (15,2 cm)	4,5 pi (1,4 m)	
Raccord de 6" (15,2 cm) vers 3 1/4" x 10" (8,3 cm x 25,4 cm)	1 pi (0,3 m)	

Composant	Conduit de diamètre de 6" (15,2 cm)	
Raccord coudé à 90° de 3 1/4" x 10" (8,3 cm x 25,4 cm) vers 6" (15,2 cm)	5,0 pi (1,5 m)	
Raccord coudé à 90° de 6" (15,2 cm) vers 3 1/4" x 10" (8,3 cm x 25,4 cm)	5,0 pi (1,5 m)	
Coude à 90° de 3 1/4" x 10" (8,3 cm x 25,4 cm)	5,0 pi (1,5 m)	
Coude plat de 3 1/4" x 10" (8,3 cm x 25,4 cm)	5,0 pi (1,5 m)	
Bouche de décharge murale de 3 1/4" x 10" (8,3 cm x 25,4 cm)	0,0 pi (0,0 m)	

Exemple de circuit d'évacuation



1 coude à 90°	= 5 pi (1,5 m)
Section droite de 8 pi (2,4 m)	= 8 pi (2,4 m)
1 bouche de décharge murale	= 0 pi (0 m)
Longueur totale	= 13 pi (3,9 m)

REMARQUE : L'emploi d'un conduit flexible est déconseillé. Un conduit flexible peut causer une contre-pression et des turbulences d'air, qui réduisent considérablement la performance.

Recyclage : Installation sans décharge à l'extérieur (recyclage) uniquement

Vous devrez commander :

- Ensemble de recyclage (pièce numéro W10807915) (Voir la section "Assistance ou service" dans le Guide d'utilisation et d'entretien pour des renseignements de commande.)
- Une section de conduit en métal de 3 1/4" x 10" (8,3 cm x 25,4 cm) – la longueur requise est déterminée par la distance entre l'échappement et la surface arrière plate du boîtier de l'ensemble de recyclage.

Spécifications électriques

⚠ AVERTISSEMENT



Risque de choc électrique

Déconnecter la source de courant électrique avant l'entretien.

Utiliser du fil en cuivre de calibre 8.

Relier la table de cuisson à la terre.

Le non-respect de ces instructions peut causer un décès, un incendie ou un choc électrique.

Si l'on utilise un conducteur distinct de liaison à la terre lorsque les codes le permettent, il est recommandé qu'un électricien qualifié vérifie que la liaison à la terre et le calibre des conducteurs sont conformes aux codes locaux.

Vérifier auprès d'un électricien qualifié si vous avez des doutes quant à la qualité de la liaison à la terre de la table de cuisson.

S'assurer que la connexion électrique et le calibre des fils sont appropriés et conformes au National Electrical Code, à la norme ANSI/NFPA 70 – dernière édition, ou à la norme CSA C22.1-94, au Code canadien de l'électricité, Partie 1 et C22.2 N° O-M91 – dernière édition, et à tous les codes et règlements locaux.

Pour obtenir un exemplaire des normes des codes ci-dessus, contacter :

National Fire Protection Association
1 Batterymarch Park
Quincy, MA 02169-7471
CSA International
8501 East Pleasant Valley Road
Cleveland, OH 44131-5575

Avant d'établir la connexion électrique :

Pour installer la table de cuisson correctement, il faut établir le type de raccords électriques que l'on utilisera et suivre les instructions indiquées ici.

- L'appareil doit être alimenté par un circuit monophasé en CA uniquement de 120/240 V et 60 Hz, c.a. uniquement à 3 fils ou 4 fils, sur un circuit séparé de 40 ampères. Si un système à fusible est utilisé, poser des fusibles des deux côtés de la conduite.
- La table de cuisson doit être connectée directement au boîtier de connexion par l'intermédiaire d'un conduit métallique flexible. Le câble blindé flexible sortant du boîtier de distribution (fusible ou disjoncteur) doit être raccordé directement au boîtier de connexion.
- Placer le boîtier de connexion pour laisser le plus de jeu possible entre celui-ci et la table de cuisson pour pouvoir déplacer la table de cuisson en cas de besoin de réparation à l'avenir.
- Un connecteur de conduit homologué UL ou CSA doit être fourni à chaque extrémité du câble d'alimentation électrique (à la table de cuisson et à la boîte de connexion).
- Si le domicile possède un câblage en aluminium, suivre la procédure ci-dessous :
 1. Raccorder une portion de câble en cuivre massif aux conducteurs de raccordement.
 2. Connecter le câblage en aluminium à la portion ajoutée de câblage en cuivre en utilisant des connecteurs ou des outils spécialement conçus et homologués UL pour raccorder le cuivre à l'aluminium.

Appliquer la procédure recommandée par le fabricant des connecteurs. Les raccordements aluminium/cuivre doivent satisfaire aux prescriptions des codes locaux et de l'industrie, et être conformes aux pratiques de câblage reconnues.

INSTRUCTIONS D'INSTALLATION

Préparation de la table de cuisson

⚠ AVERTISSEMENT

Risque du poids excessif

Utiliser deux ou plus de personnes pour déplacer et installer la table de cuisson.

Le non-respect de cette instruction peut causer une blessure au dos ou d'autre blessure.

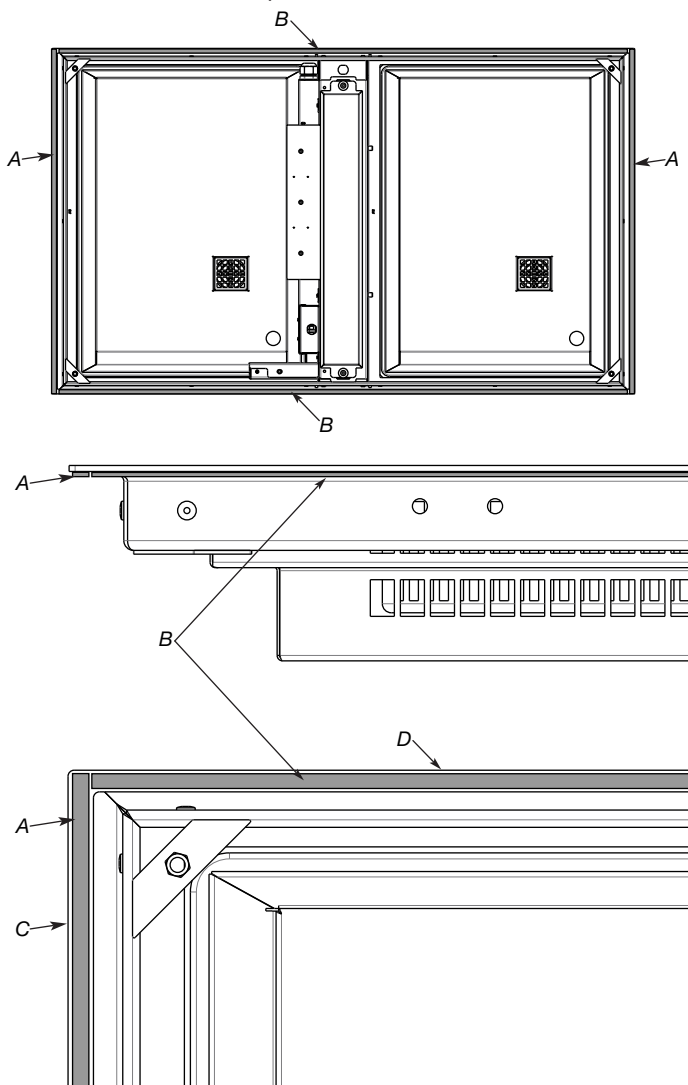
1. Ouvrir la boîte tel que stipulé sur l'emballage du produit.
2. Enlever les matériaux d'expédition et le ruban adhésif de la table de cuisson.
3. À l'aide d'au moins 2 personnes, retirer la table de cuisson du carton.

REMARQUE : Toujours manipuler la table de cuisson en tenant le dessous du châssis, pas le cadre en acier inoxydable ni le couvercle en métal situé en dessous de la table de cuisson.

4. À l'aide de deux personnes ou plus, placer la table de cuisson à l'envers sur une surface couverte.

Installation des bandes de mousse

1. Enlever la bande de mousse du sachet de documentation et de quincaillerie.
2. Mesurer et couper 4 morceaux : 2 morceaux d'une longueur de $21\frac{1}{4}$ " (54,0 cm) et 2 morceaux d'une longueur de 35" (88,9 cm).
3. Ôter la feuille de protection des bandes de mousse de $21\frac{1}{4}$ " (54,0 cm) et appliquer les bandes de mousse côté adhésif à chaque extrémité du rebord extérieur sous l'habillage de la table de cuisson.
4. Ôter la feuille de protection des bandes de mousse de 35" (88,9 cm) et appliquer les bandes de mousse côté adhésif à l'avant et l'arrière du rebord extérieur sous l'habillage de la table de cuisson. Ne pas chevaucher les bandes de mousse.



- A. Bande de mousse - $21\frac{1}{4}$ " (54,0 cm) long. (2 morceaux)
 B. Bande de mousse - 35" (88,9 cm) long. (2 morceaux)
 C. Habillage de la table de cuisson - arête du rebord (côtés droit et gauche)
 D. Habillage de la table de cuisson - arête du rebord (avant et arrière)

REMARQUE : La bande de mousse (optionnel) protège la face inférieure du châssis de la table de cuisson des débris et l'aide à reposer à plat sur des plans de travail irréguliers.

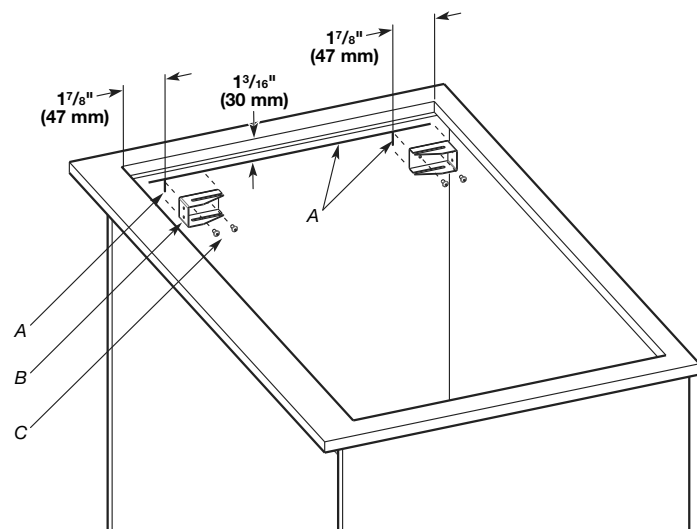
Installation des supports de fixation de la table de cuisson

REMARQUE : Pour faciliter l'installation, installer les supports de fixation de la table de cuisson au placard avant d'installer la table de cuisson dans le placard.

Installation des supports de fixation aux côtés du placard

REMARQUE : Les placards de plus de 36" (91,4 cm) peuvent exiger des côtés supplémentaires (bois de $\frac{1}{2}$ " [1,3 cm], minimum) à assembler à l'intérieur de l'armoire sur une largeur de $34\frac{9}{16}$ " (87,8 cm). L'intérieur de chaque paroi doit être situé à $17\frac{9}{32}$ " (43,9 cm) de l'axe central de la découpe de la table de cuisson et parallèle aux côtés de la découpe de la table de cuisson.

1. Tracer une ligne horizontale à l'intérieur des deux côtés du placard ou des parois ajoutées à $1\frac{3}{16}$ " (30 mm) vers le bas à partir de la surface supérieure du plan de travail.
2. Aligner les 4 supports $1\frac{7}{8}$ " (47 mm) de la surface avant et arrière de la découpe du plan de travail sur les lignes horizontales marquées et orienter comme indiqué avec 1 support avant et 1 à l'arrière de chaque côté.

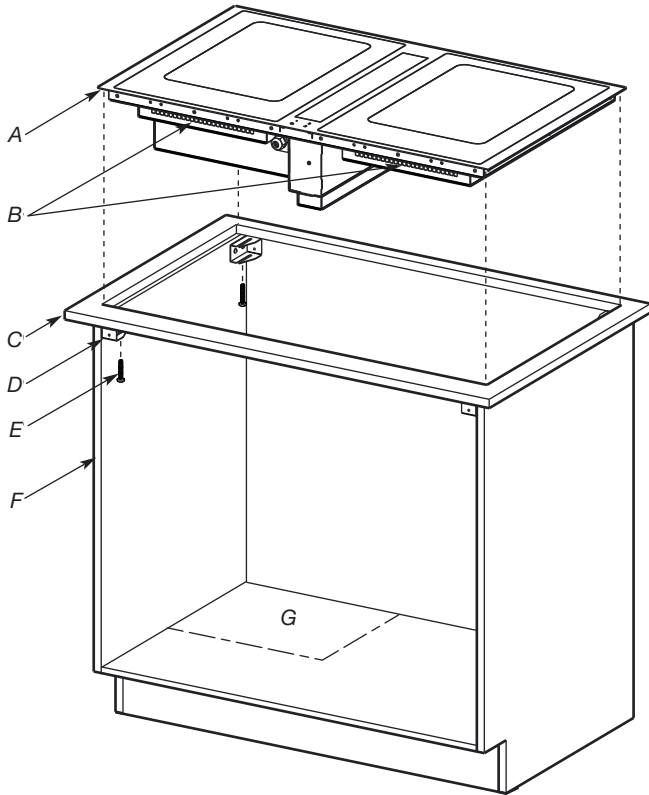


- A. Lignes marquées à l'intérieur des parois du placard (deux extrémités)
 B. Supports de fixation de la table de cuisson (4)
 C. Vis M4 x 12 mm (8)

3. Marquer et prépercer les trous de fixation à l'aide d'une mèche de $\frac{1}{8}$ " (3 mm). (Ne pas percer les parois latérales du placard.)
4. À l'aide de 2 vis de montage M4 x 12 mm (fournies) pour chaque support de fixation, fixer les 4 supports de fixation sur les côtés de l'armoire. Une longueur de vis plus courte (non fournie) peut être nécessaire si l'épaisseur de la paroi latérale du placard est inférieure à $\frac{1}{2}$ " (12,7 mm).

Installation de la table de cuisson et du moteur du ventilateur

1. Installation de la table de cuisson et du moteur du ventilateur
2. Aligner la table de cuisson pour qu'elle repose bien à plat sur le plan de travail.
3. Installer 4 vis de blocage M5 x 50 mm, des rondelles de blocage et des rondelles plates (1 à chaque coin) pour fixer la table de cuisson sur les supports de fixation. Serrer les vis pour resserrer la table de cuisson sur le plan de travail.



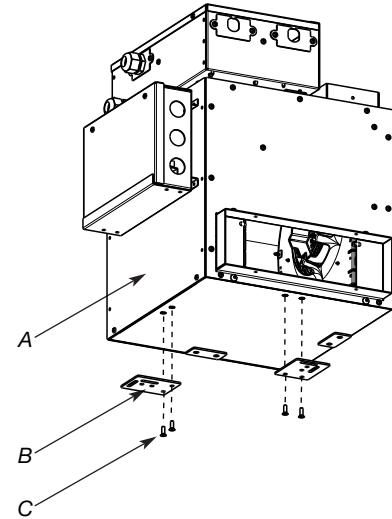
- A. Table de cuisson
 B. Fentes de ventilation de la table de cuisson
 C. Plan de travail
 D. Supports de fixation (4)
 E. Vis à tête M5 x 50 mm, rondelles de blocage et rondelles plates (4 chacune)
 F. Placard (illustré avec avant déposé)
 G. Emplacement de la découpe dans le fond du placard (pour les installations avec recyclage uniquement)

REMARQUES :

- S'assurer que le bord avant de la table de cuisson est parallèle au bord avant du plan de travail. S'il est nécessaire de repositionner la table de cuisson, la soulever entièrement de l'ouverture pour éviter de rayer le plan de travail.
- Ne pas bloquer les fentes d'aération sur l'avant de la table de cuisson.

Installer les pattes de fixation/cales au moteur du ventilateur

1. Installez les pattes de fixation (2) dans le bas de l'assemblage du moteur du ventilateur, en utilisant 2 vis à tête plate M5 x 10 mm par patte et serrer.

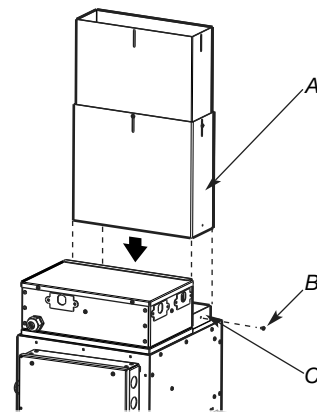


- A. Côté avant du boîtier du moteur de ventilateur
 B. Pieds de fixation (2)
 C. Vis M5 x 10 mm - tête plate (4)

Préparer le moteur du ventilateur

Style 1 – Recyclage à la droite ou évacuation à l'extérieur

1. Assembler le conduit vertical rectangulaire télescopique en deux parties à l'extension d'assemblage du conduit supérieur du moteur du ventilateur. Fixer solidement avec une vis et du ruban adhésif métallique.

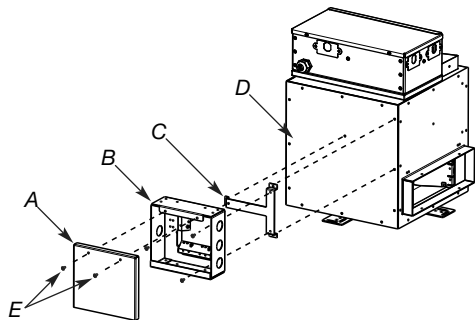


- A. Conduit rectangulaire télescopique (2 parties)
 B. Vis M4 x 9,5 mm
 C. Extension du conduit supérieur du moteur du ventilateur

Style 2 – Recyclage à l'avant

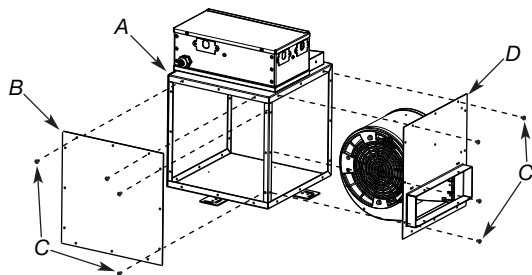
1. À l'aide d'un tournevis et d'un embout TORX® T20®, retirer les deux vis et le couvercle de la boîte de raccordement électrique du panneau avant du boîtier du moteur du ventilateur et mettre de côté la pièce et les vis.
2. À l'aide d'un tournevis et d'un embout TORX® T20®, retirer les quatre vis et la boîte de raccordement électrique du support de fixation et mettre de côté la pièce et les vis.

REMARQUE : Ne pas retirer les raccordements électriques.



- A. Couvercle - boîte de raccordement électrique
- B. Boîte de raccordement électrique
- C. Support de fixation - boîte de raccordement électrique
- D. Boîtier du moteur du ventilateur
- E. Vis (6)

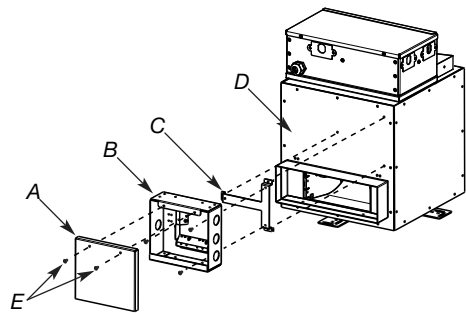
3. À l'aide d'un tournevis et d'un embout TORX® T20®, retirer les 11 vis et le couvercle de protection du boîtier du moteur du ventilateur.



- A. Boîtier du moteur du ventilateur
- B. Couvercle
- C. Vis (11 sur chaque plaque)
- D. Panneau et moteur

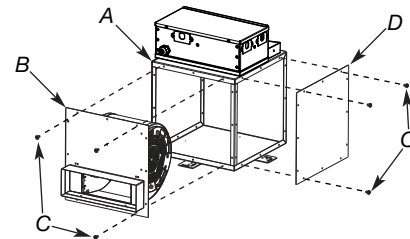
4. À l'aide d'un tournevis et d'un embout TORX® T20®, retirer les 3 vis et le support de fixation de la boîte de raccordement électrique du panneau et mettre de côté la pièce et les vis.
5. Débrancher le connecteur électrique 9 broches du moteur du ventilateur.
6. À l'aide d'un tournevis et d'un embout TORX® T20®, retirer les 11 vis qui retiennent le panneau et le moteur au côté droit du boîtier du moteur du ventilateur. Retirer le panneau et le moteur du boîtier du moteur du ventilateur.

7. Assembler le support de la boîte électrique au panneau avant en utilisant les 3 vis et serrer.



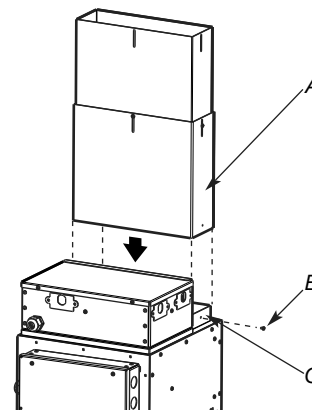
- A. Boîtier du moteur du ventilateur
- B. Support de fixation - boîte de raccordement électrique
- C. Boîte de raccordement électrique
- D. Couvercle - boîte de raccordement électrique
- E. Vis (6)

8. Replacer le panneau et le moteur sur l'avant du boîtier du moteur du ventilateur. Installer les 11 vis et les serrer.



- A. Boîtier du moteur du ventilateur
- B. Panneau et moteur du ventilateur
- C. Vis (22)
- D. Panneau avant

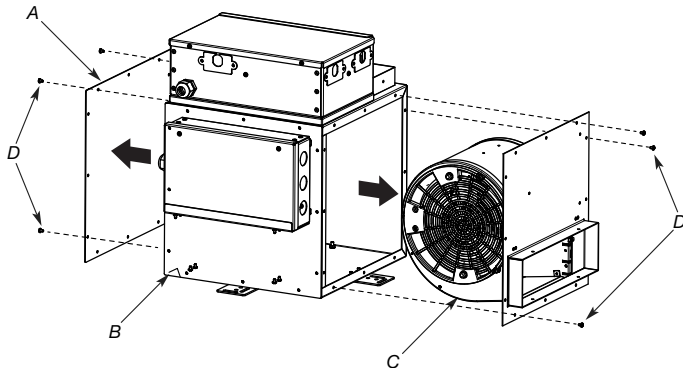
9. Rebrancher le connecteur électrique 9 broches du moteur du ventilateur.
10. Replacer le panneau du côté droit du boîtier du moteur du ventilateur. Installer les 11 vis et les serrer.
11. Assembler la boîte électrique au support en utilisant les 4 vis et serrer.
12. Assembler le conduit vertical rectangulaire télescopique en deux parties à l'extension d'assemblage du conduit supérieur du moteur du ventilateur. Fixer solidement avec une vis et du ruban adhésif métallique.



- A. Conduit rectangulaire télescopique (2 parties)
- B. Vis M4 x 9,5 mm
- C. Extension du conduit supérieur du moteur du ventilateur

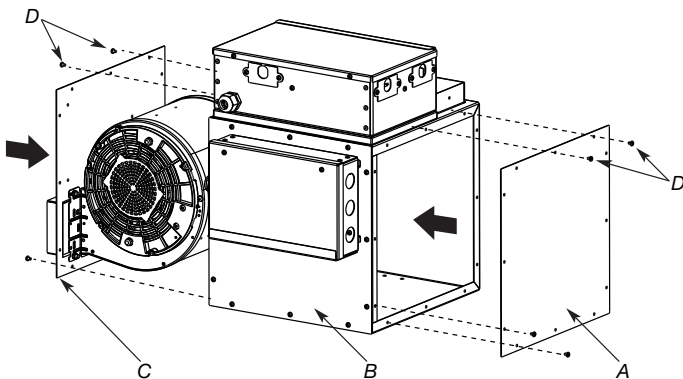
Style 3 – Recyclage à la gauche ou évacuation à l'extérieur

1. À l'aide d'un tournevis et d'un embout TORX® T20®, retirer les 11 vis et le panneau du côté gauche du boîtier du moteur du ventilateur avant et mettre de côté la pièce et les vis.
2. Débrancher le connecteur électrique 9 broches du moteur du ventilateur.
3. À l'aide d'un tournevis et d'un embout TORX® T20®, retirer les 11 vis qui retiennent le panneau et le moteur au côté droit du boîtier du moteur du ventilateur. Retirer le panneau et le moteur du boîtier du moteur du ventilateur.



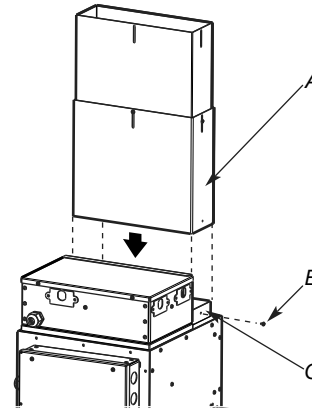
- A. Plaque de protection gauche
- B. Boîtier du ventilateur
- C. Panneau d'évacuation du boîtier avec moteur du ventilateur
- D. Vis (11 sur chaque plaque)

4. Replacer le panneau et le moteur sur le côté gauche du boîtier du moteur du ventilateur. Installer les 11 vis et les serrer.
5. Rebrancher le connecteur électrique 9 broches du moteur du ventilateur.
6. Replacer le panneau du côté gauche du boîtier du moteur du ventilateur. Installer les 11 vis et les serrer.



- A. Plaque de protection gauche
- B. Boîtier du ventilateur
- C. Panneau d'évacuation du boîtier avec moteur du ventilateur (évacuation à gauche)
- D. Vis (11 sur chaque plaque)

7. Assembler le conduit vertical rectangulaire télescopique en deux parties à l'extension d'assemblage du conduit supérieur du moteur du ventilateur. Fixer solidement avec une vis et du ruban adhésif métallique.



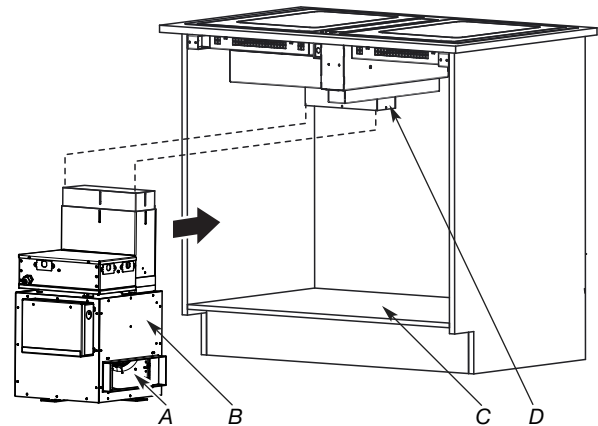
- A. Conduit rectangulaire télescopique (2 parties)
- B. Vis M4 x 9,5 mm
- C. Extension du conduit supérieur du moteur du ventilateur

Installer le moteur du ventilateur

Style 1 – Évacuation à l'extérieur du côté droit

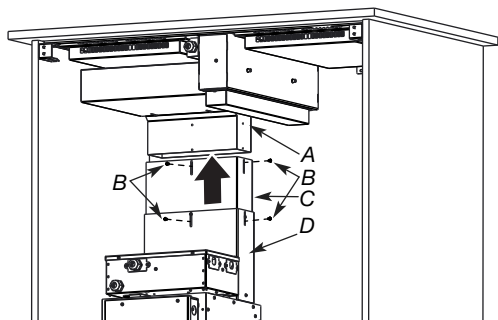
(Utiliser la section "Style 1 – Découpes du placard pour les installations avec évacuation à l'extérieur" dans la section Dimensions de l'ouverture à découper" pour acheminer la conduite par l'arrière ou le fond du placard.)

1. Placer le moteur du ventilateur sur le fond du placard et l'aligner sur le coude à 90° de la table de cuisson.



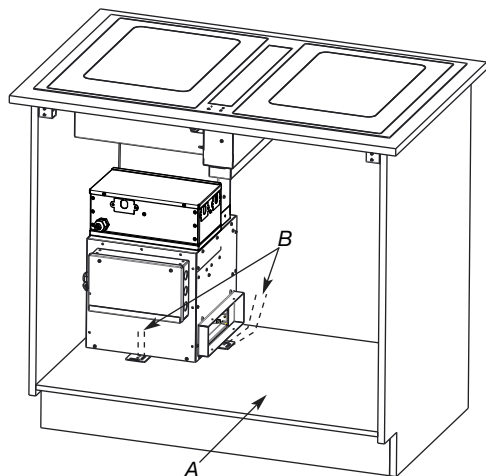
- A. Ouverture d'échappement - moteur du ventilateur (vers le côté droit du placard)
- B. Moteur du ventilateur
- C. Fond du placard
- D. Coude à 90°

- Étendre la section intérieure du conduit vertical rectangulaire télescopique pour qu'elle recouvre le coude 90° de la table de cuisson. Fixer le tout à l'aide de vis M4 x 9,5 mm.



- A. Conduit à 90° vers la table de cuisson
- B. Vis M4 x 9,5 mm (4)
- C. Conduit vertical supérieur
- D. Conduit vertical inférieur

- Desserrer au besoin les 3 vis qui fixent le coude de 90° si des ajustements sont nécessaires. Ajuster le conduit, puis serrer toutes les vis reliant les conduits.
- Percer 4 trous alignés au niveau des supports de fixation du boîtier du moteur (2 trous sur chaque support) dans le fond du placard. À l'aide de 4 vis (non fournies), fixer l'ensemble moteur du ventilateur au fond du placard.



- A. Fond du placard
- B. Vis à bois M6 x 16 mm (4)

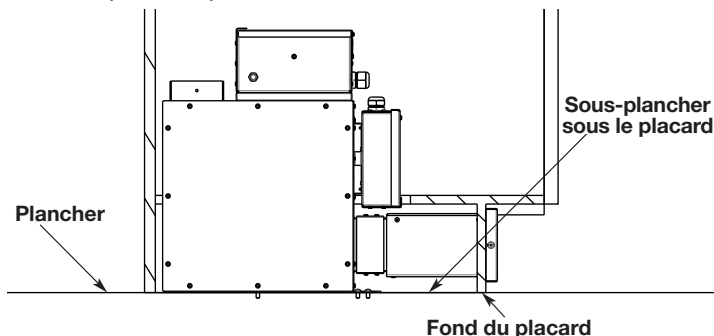
- Assembler les conduits de la prise de ventilation du moteur du ventilateur au conduit d'évacuation vers l'extérieur de 3 1/4" x 10" (8,3 cm x 25,4 cm). (Voir "Découpes du placard pour les installations avec évacuation à l'extérieur" pour les emplacements recommandés pour les coupes des conduits d'évacuation vers l'extérieur.)
- Utiliser du ruban adhésif de métal pour fixer et sceller tous les joints.

Style 2 – Installation de recyclage au niveau du coup de pied du placard

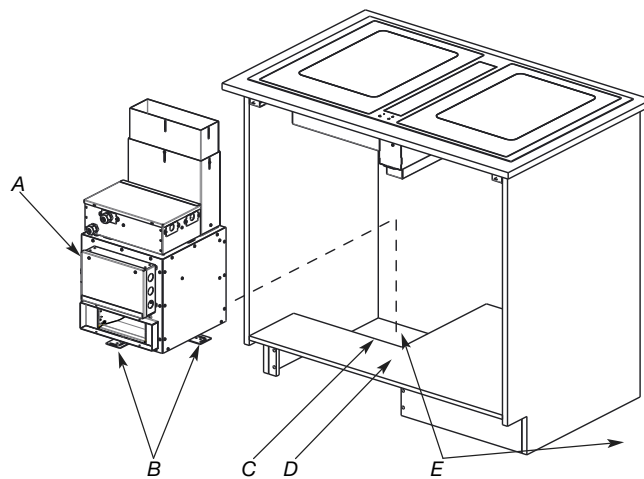
(Utiliser la section "Style 2 – Découpes du placard pour les installations avec plaque frontale de recirculation" dans la section Dimensions de l'ouverture à découper" pour le recyclage par le coup de pied du placard.)

REMARQUE : Ensemble de recyclage requis. Voir la section "Accessoires" dans le Guide d'utilisation et d'entretien pour des renseignements de commande.

IMPORTANT : Le sous-plancher sous le placard doit être à la même hauteur que le fond du placard. Une pièce supplémentaire de sous-plancher peut être nécessaire.

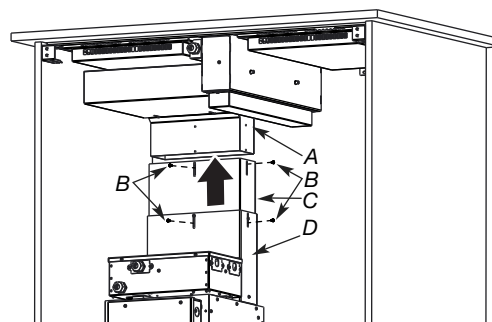


- Placer le moteur du ventilateur sur le plancher à travers la découpe dans le fond du placard avec la sortie d'évacuation vers l'avant du placard.



- A. Moteur du ventilateur
- B. Pattes de fixation pour le moteur du ventilateur
- C. Découpe dans le fond du placard
- D. Fond du placard
- E. Plancher

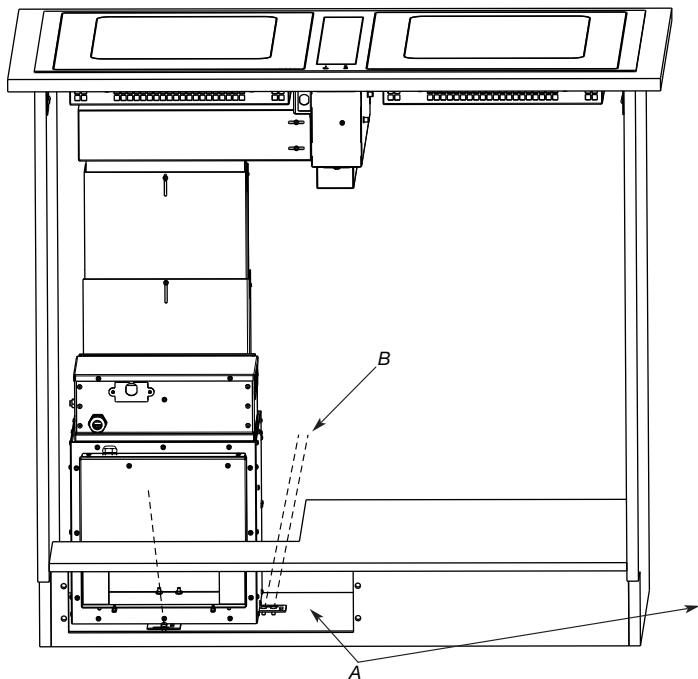
- Aligner le conduit vertical télescopique en deux parties du moteur du ventilateur au coude 90° à partir de l'ensemble de la table de cuisson. Étendre la section intérieure du conduit vertical rectangulaire télescopique en deux parties pour qu'elle recouvre le coude 90° de la table de cuisson. Fixer le tout à l'aide de vis 4 M4 x 9,5 mm.



- A. Conduit à 90° vers la table de cuisson
- B. Vis M4 x 9,5 mm (4)
- C. Conduit vertical supérieur
- D. Conduit vertical inférieur

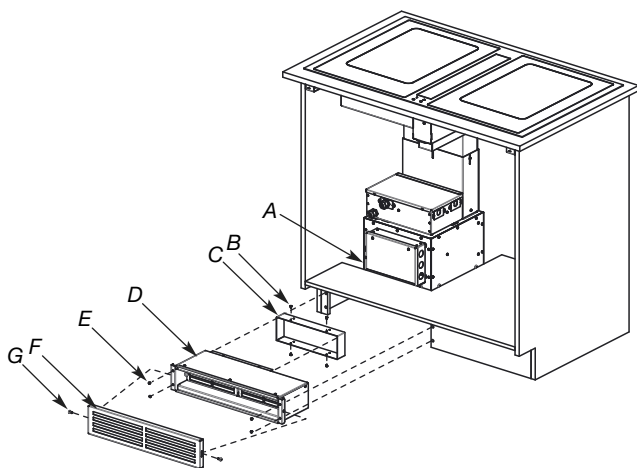
- Serrer toutes les vis reliant la canalisation et utiliser du ruban adhésif de métal pour sceller tous les joints.

4. À l'aide d'un foret approprié, percer 4 trous alignés au niveau des supports de fixation du boîtier du moteur (2 trous sur chaque support) dans le plancher. À l'aide de 4 vis (non fournies) pour le type de plancher, fixer l'ensemble moteur du ventilateur au plancher.



A. Plancher
B. Vis à bois M6 x 16 mm (4)

5. Installer le conduit de recyclage par le coup de pied du placard sur la prise de sortie de ventilation du moteur du ventilateur.



A. Extension du conduit inférieur du moteur du ventilateur
B. Vis de fixation (4) - conduit rectangulaire à l'extension du conduit inférieur du moteur du ventilateur
C. Extension du conduit rectangulaire
D. Conduit de recyclage
E. Vis de fixation (4) - conduit de recyclage au placard
F. Couvercle - Conduit de recyclage
G. Attaches - couvercle (2)

6. Installer le conduit de recyclage par le trou rectangulaire avant au niveau du coup de pied du placard (Emplacement de la découpe - voir la section "Style 2 - Découpes du placard pour les installations avec plaque frontale de recirculation" dans la section Dimensions de l'ouverture à découper".)

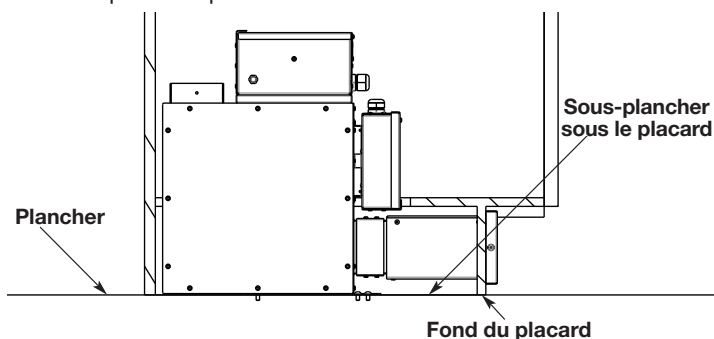
REMARQUE : S'assurer que les deux filtres à charbon sont installés à l'intérieur du boîtier du conduit de recyclage.

7. Utiliser du ruban adhésif de métal pour fixer et sceller tous les joints.

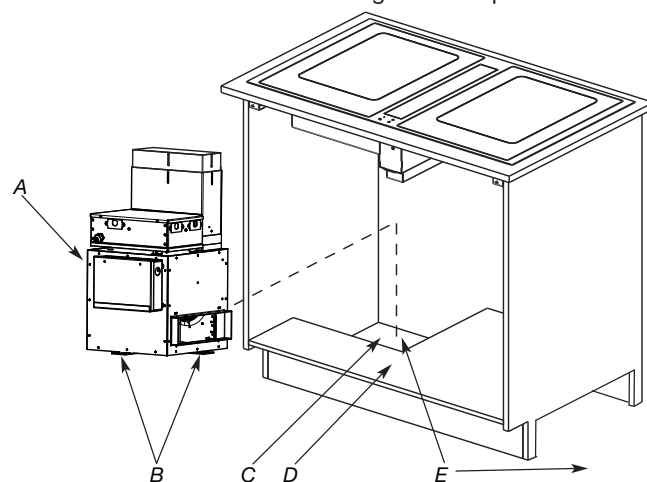
Style 3 - Installation de recyclage sur le côté du placard

(Utiliser la section "Style 3 - Découpes du placard pour les installations avec recirculation latérale" dans la section Dimensions de l'ouverture à découper" par le côté du placard.)

IMPORTANT : Le sous-plancher sous le placard doit être à la même hauteur que le fond du placard. Une pièce supplémentaire de sous-plancher peut être nécessaire.

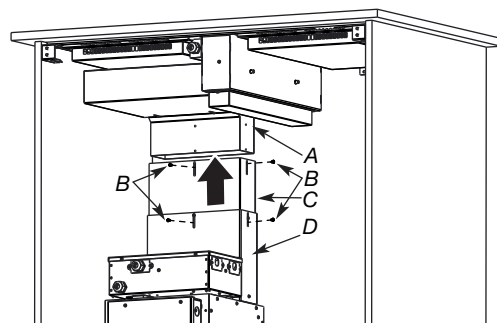


1. Placer le moteur du ventilateur sur le plancher à travers la découpe dans le fond du placard avec la sortie d'évacuation vers la droite ou la gauche du placard.



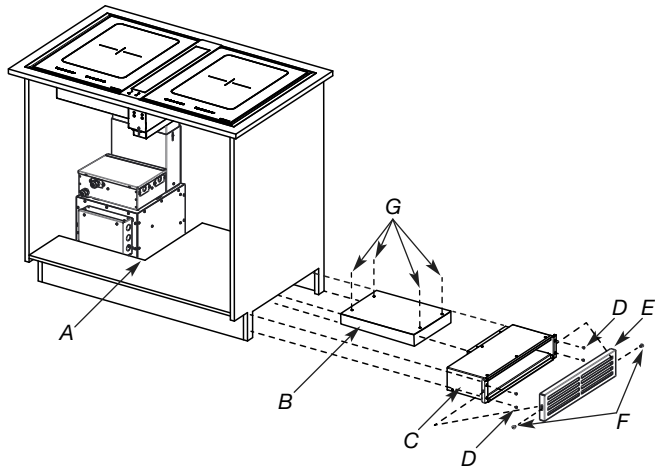
A. Moteur du ventilateur
B. Pattes de fixation pour le moteur du ventilateur
C. Découpe dans le fond du placard
D. Fond du placard
E. Plancher

2. Aligner le conduit vertical télescopique en deux parties du moteur du ventilateur au coude 90° à partir de l'ensemble de la table de cuisson. Étendre la section intérieure du conduit vertical rectangulaire télescopique en deux parties pour qu'elle recouvre le coude 90° de la table de cuisson. Fixer le tout à l'aide de vis M4 x 9,5 mm.



A. Conduit à 90° vers la table de cuisson
B. Vis M4 x 9,5 mm (4)
C. Conduit vertical supérieur
D. Conduit vertical inférieur

- Serrer toutes les vis reliant la canalisation et utiliser du ruban adhésif de métal pour sceller tous les joints.
- À l'aide d'un forêt approprié, percer 4 trous alignés au niveau des supports de fixation du boîtier du moteur (2 trous sur chaque support) dans le plancher. À l'aide de 4 vis (non fournies) pour le type de plancher, fixer l'ensemble moteur du ventilateur au plancher.



- A. Extension du conduit inférieur du moteur du ventilateur
 B. Conduit rectangulaire de 3 1/4" x 10" (8,3 cm x 25,4 cm) (non fourni) Voir la REMARQUE.
 C. Conduit de recyclage
 D. Vis de fixation (4)
 E. Couvercle - Conduit de recyclage
 F. Attaches - couvercle (2)
 G. Vis (4) (non incluses)

REMARQUE : La longueur du conduit rectangulaire est déterminée par la dimension de l'extension du conduit inférieur du moteur du ventilateur à l'extension de conduit de l'ensemble de conduit de recyclage.

- Assembler la trousse de recyclage par le côté du placard sur la prise de sortie de ventilation du moteur du ventilateur.

REMARQUE : S'assurer que les deux filtres à charbon sont installés à l'intérieur du boîtier du conduit de recyclage.

- Utiliser du ruban adhésif de métal pour fixer et sceller tous les joints.

Raccordement électrique

⚠ AVERTISSEMENT



Risque de choc électrique

Déconnecter la source de courant électrique avant l'entretien.

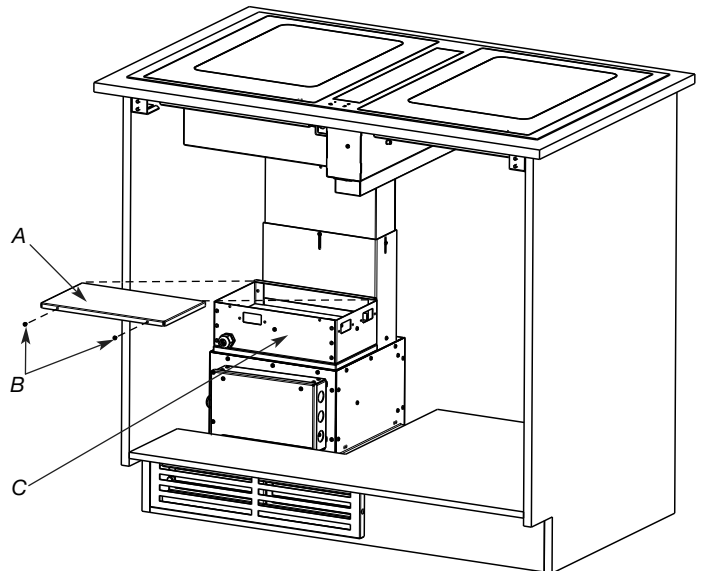
Utiliser du fil en cuivre de calibre 8.

Relier la table de cuisson à la terre.

Le non-respect de ces instructions peut causer un décès, un incendie ou un choc électrique.

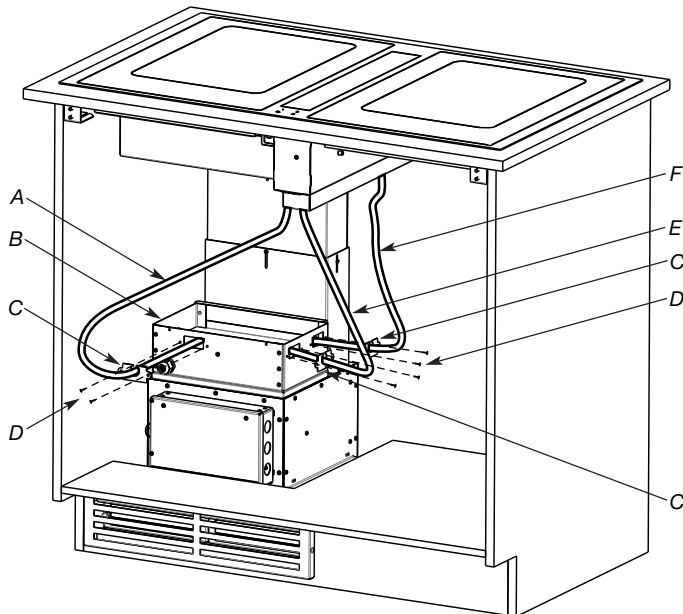
Raccordements électriques – Table de cuisson à la boîte électrique

- Déconnecter la source de courant électrique.
- Utiliser un tournevis et un embout TORX® T20® pour retirer 2 vis et le couvercle du boîtier de raccordement électronique et les mettre de côté.



- A. Couvercle du boîtier électronique
 B. Vis (2)
 C. Boîtier électronique

3. Installer le câble de connexion avec un connecteur 2 broches de l'arrière de la table de cuisson dans la boîte de raccordement électronique. Utiliser un tournevis et un embout TORX® T20® pour poser des vis sur le serre-câble homologué UL raccordé au câblage dans le boîtier de raccordement électronique. Brancher le connecteur 2 broches à la prise 2 broches à l'intérieur du boîtier de raccordement électronique.



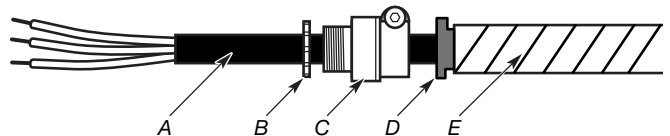
- A. Câble d'alimentation avec connecteur 3 broches
- B. Boîtier électronique
- C. Serre-câble homologué UL (raccordé au câblage)
- D. Vis M4 x 9.5 mm (6)
- E. Câble plat - avec connecteur PCB
- F. Câble d'alimentation avec connecteur 2 broches

4. Installer le câble plat avec un connecteur PCB de l'avant de la table de cuisson dans le boîtier de raccordement électronique. Utiliser un tournevis et un embout TORX® T20® pour poser des vis et le serre-câble homologué UL raccordé au câble plat dans le boîtier de raccordement électronique. Brancher le connecteur plat à la prise PCB à l'intérieur du boîtier de raccordement électronique.
5. Installer le câble de connexion avec un connecteur 3 broches de l'avant de la table de cuisson dans la boîte de raccordement électronique. Utiliser un tournevis et un embout TORX® T20® pour poser des vis et le serre-câble homologué UL raccordé au câble dans le boîtier de raccordement électronique. Brancher le connecteur 3 broches à la prise 3 broches à l'intérieur du boîtier de raccordement électronique.
6. Utiliser un tournevis et un embout TORX® T20® pour réinstaller 2 vis et le couvercle du boîtier de raccordement électronique.

Raccordements électriques – Table de cuisson à la boîte de raccordement sur le moteur du ventilateur

1. Déconnecter la source de courant électrique.
2. Utiliser un tournevis et un embout TORX® T20® pour retirer deux (2) vis et le couvercle du boîtier de raccordement électrique et les mettre de côté (s'ils ne sont pas déposés).

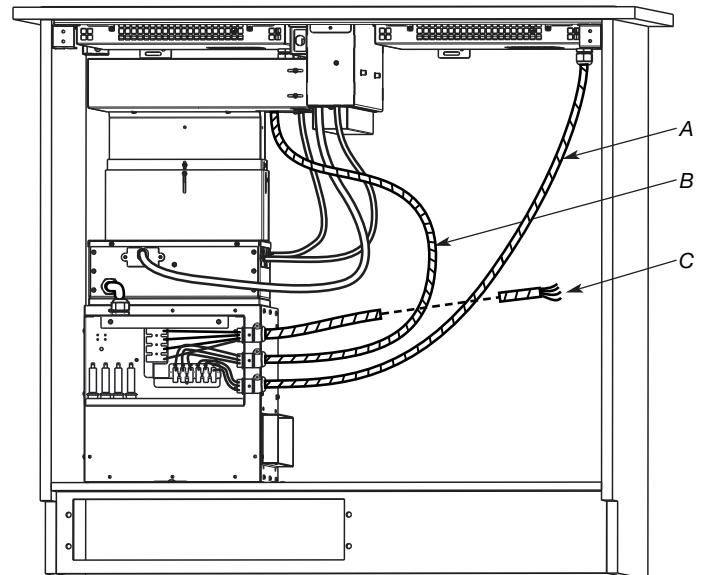
Conduit de la table de cuisson de gauche



- A. Conduit de la table de cuisson à induction gauche
- B. Écrou - serre-câble homologué UL
- C. Serre-câble homologué UL
- D. Cavalier de protection du conduit
- E. Câble de la table de cuisson à induction gauche

REMARQUE : L'illustration montre l'ensemble en pièces détachées pour référence.

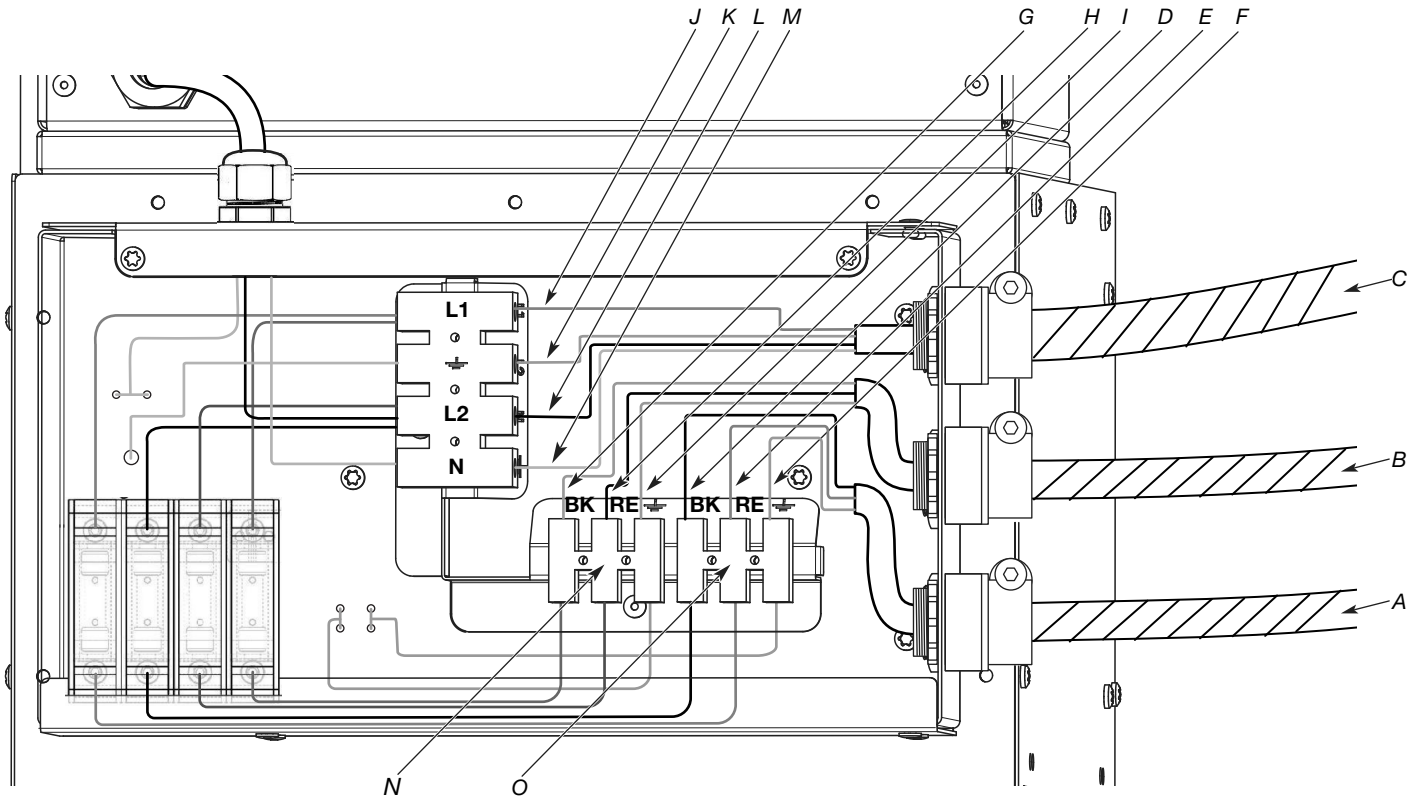
3. Retirer l'écrou du serre-câble homologué UL et du conduit.
4. Poser les câbles et le serre-câble homologué UL dans le trou du milieu du côté droit du boîtier de raccordement électrique. Poser l'écrou du serre-câble homologué UL sur les câbles et sur le serre-câble homologué UL à l'intérieur du boîtier de raccordement électrique. (S'assurer que la vis du serre-câble homologué UL est placée de façon à ce qu'elle soit accessible pour en permettre le serrage, le cas échéant.)



- A. Conduit à 3 conducteurs depuis la table de cuisson de droite
- B. Conduit à 3 conducteurs depuis la table de cuisson de gauche
- C. Conduit d'alimentation 4 conducteurs vers l'alimentation électrique du domicile.

5. Desserrer les 3 vis de la borne (borne supérieure vide) dans le coin gauche du bornier horizontal. (Voir N de la section "Boîte de raccordement électrique".)
6. Installer le câble noir sur l'emplacement de la borne gauche portant la mention "BK". Serrer la vis de la borne. (Voir N de la section "Boîte de raccordement électrique".)
7. Installer le câble rouge sur l'emplacement de la borne gauche portant la mention "RE". Serrer la vis de la borne. (Voir N de la section "Boîte de raccordement électrique".)
8. Installer le câble jaune-vert sur l'emplacement de la borne gauche portant le symbole de masse. Serrer la vis de la borne. (Voir N de la section "Boîte de raccordement électrique".)

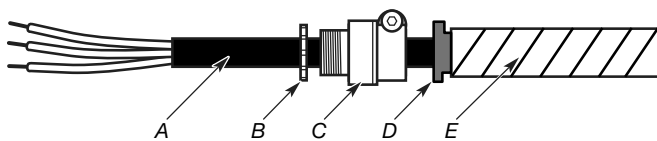
Boîte de raccordement électrique



- A. Conduit à 3 conducteurs depuis la table de cuisson de droite
- B. Conduit à 3 conducteurs depuis la table de cuisson de gauche
- C. Conduit d'alimentation 4 conducteurs vers l'alimentation électrique du domicile.
- D. Conducteur noir – Table de cuisson droite
- E. Conducteur rouge – Table de cuisson droite
- F. Conducteur jaune-vert – Table de cuisson droite
- G. Conducteur noir – Table de cuisson gauche

- H. Conducteur rouge – Table de cuisson gauche
- I. Conducteur jaune-vert – Table de cuisson gauche
- J. Conducteur rouge depuis l'alimentation électrique du domicile
- K. Conducteur jaune-vert depuis l'alimentation électrique du domicile
- L. Conducteur noir depuis l'alimentation électrique du domicile
- M. Conducteur blanc depuis l'alimentation électrique du domicile
- N. Bornier horizontal – gauche
- O. Bornier horizontal – droite

Conduit de la table de cuisson de droite



- A. Conduit de la table de cuisson à induction droite
- B. Écrou – serre-câble homologué UL
- C. Serre-câble homologué UL
- D. Cavalier de protection du conduit
- E. Câble de la table de cuisson à induction droite

REMARQUE : L'illustration montre l'ensemble en pièces détachées pour référence.

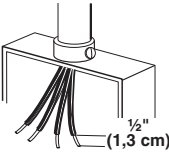
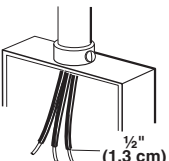
9. Retirer l'écrou du serre-câble homologué UL et du conduit.
10. Poser les câbles et le serre-câble homologué UL dans le trou inférieur du côté droit du boîtier de raccordement électrique. Poser l'écrou du serre-câble homologué UL sur les câbles et sur le serre-câble homologué UL à l'intérieur du boîtier de raccordement électrique. (S'assurer que la vis du serre-câble homologué UL est placée de façon à ce qu'elle soit accessible pour en permettre le serrage, le cas échéant).
11. Desserrer les 3 vis de la borne (borne supérieure vide) dans le coin droit du bornier horizontal. (Voir O de la section "Boîte de raccordement électrique".)
12. Installer le câble rouge sur l'emplacement de la borne droite portant la mention "BK". Serrer la vis de la borne. (Voir O de la section "Boîte de raccordement électrique".)

13. Installer le câble rouge sur l'emplacement de la borne droite portant la mention "RE". Serrer la vis de la borne. (Voir O de la section "Boîte de raccordement électrique".)
14. Installer le câble jaune-vert sur l'emplacement de la borne droite portant le symbole de masse. Serrer la vis de la borne. (Voir O de la section "Boîte de raccordement électrique".)
15. Poser le couvercle de la boîte de raccordement électrique et serrer les 2 vis.

Raccordements électriques – Table de cuisson avec aspiration par le bas depuis l'alimentation électrique du domicile

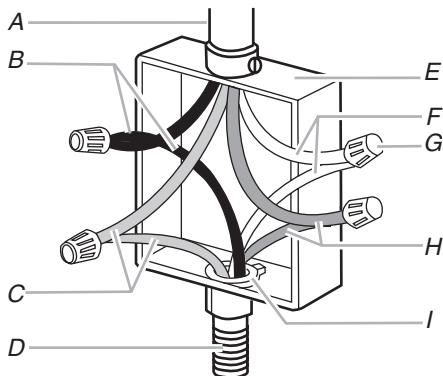
1. Déconnecter la source de courant électrique.
2. Enlever le couvercle du boîtier de connexion de l'alimentation électrique du domicile, le cas échéant.
3. Ôter l'alvéole défonçable du boîtier de connexion de l'alimentation électrique du domicile et installer un serre-câble (homologation UL ou CSA).
4. Installer les conducteurs et le conduit fixés par le serre-câble homologué UL dans le boîtier de connexion de l'alimentation électrique du domicile.
5. Serrer les vis du serre-câble pour fixer le conduit et les conducteurs au boîtier de connexion de l'alimentation électrique du domicile.
6. Voir le tableau "Options de raccordement électrique" pour terminer l'installation correspondant à votre type de raccordement électrique.

Options de raccordement électrique

Si le domicile comporte :	Point de distribution :	Voir la section :
4 conducteurs 	Disjoncteur ou coupe-circuit avec fusible	Câble à 4 conducteurs depuis le point de distribution du domicile avec câble à 4 conducteurs depuis la table de cuisson
3 conducteurs 	Disjoncteur ou coupe-circuit avec fusible	Câble à 3 conducteurs depuis le point de distribution du domicile avec câble à 4 conducteurs depuis la table de cuisson

Câble à 4 conducteurs depuis le point de distribution du domicile avec câble à 4 conducteurs depuis la table de cuisson

IMPORTANT : Utiliser le câble à 4 conducteurs provenant de l'alimentation électrique du domicile aux États-Unis lorsque les codes ne permettent pas la mise à la terre par l'intermédiaire du conducteur neutre, en cas de nouvelle installation avec alimentation par un circuit secondaire (1996 NEC), dans les résidences mobiles et les véhicules récréatifs, dans les nouvelles constructions, et au Canada.

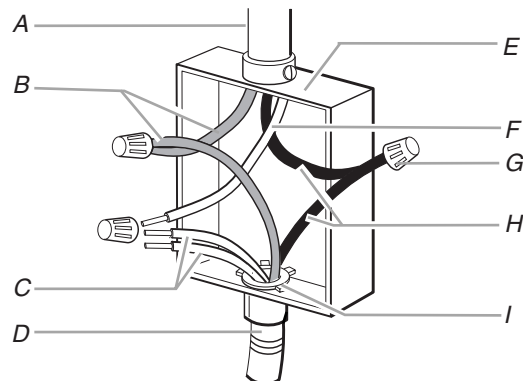


- | | |
|--|--|
| A. Câble depuis l'alimentation électrique du domicile | E. Boîtier de connexion |
| B. Conducteurs noirs | F. Conducteurs blancs |
| C. Conducteurs verts (ou verts-jaunes) de liaison à la terre | G. Connecteur de fil (homologation UL) |
| D. Câble à 4 conducteurs depuis la table de cuisson | H. Conducteurs rouges |
| | I. Connecteur de conduit homologué UL ou CSA |

1. Connecter ensemble les 2 conducteurs noirs avec les connecteurs de fils (homologation UL).
2. Connecter ensemble les 2 conducteurs rouges avec les connecteurs de fils (homologation UL).
3. Connecter ensemble les 2 conducteurs blancs avec les connecteurs de fils (homologation UL).
4. Connecter le conducteur vert (ou jaune-vert) de liaison à la terre du câble de la table de cuisson avec le conducteur vert (ou jaune-vert) de liaison à la terre (dans le boîtier de connexion) avec les connecteurs de fils (homologation UL).
5. Installer le couvercle du boîtier de connexion.

Câble à 3 conducteurs depuis le point de distribution du domicile avec câble à 4 conducteurs depuis la table de cuisson – É.-U. seulement

IMPORTANT : Utiliser le câble à 3 conducteurs depuis le point de distribution lorsque les codes locaux en vigueur permettent le raccordement entre le conducteur de liaison à la terre du châssis et le conducteur neutre (blanc) dans le boîtier de connexion.



- | | |
|---|--|
| A. Câble depuis l'alimentation électrique du domicile | E. Boîtier de connexion |
| B. Conducteurs rouges | F. Conducteur blanc |
| C. Conducteurs blanc et vert (ou jaune-vert) (depuis la table de cuisson) | G. Connecteur de fil (homologation UL) |
| D. Câble à 4 conducteurs depuis la table de cuisson | H. Conducteurs noirs |
| | I. Connecteur de conduit homologué UL ou CSA |

1. Connecter ensemble les 2 conducteurs noirs avec les connecteurs de fils (homologation UL).
2. Connecter ensemble les 2 conducteurs rouges avec les connecteurs de fils (homologation UL).
3. Connecter le conducteur vert ou jaune-vert et le conducteur blanc de la table de cuisson au conducteur blanc (neutre) dans le boîtier de connexion avec les connecteurs de fils (homologation UL).
4. Installer le couvercle du boîtier de connexion.

Achever l'installation

1. Vérifier que toutes les pièces sont maintenant installées. S'il reste une pièce, passer en revue les différentes étapes pour découvrir laquelle aurait été oubliée.
2. Vérifier la présence de tous les outils.
3. Éliminer/recycler tous les matériaux d'emballage.
4. Avant d'utiliser la table de cuisson, utiliser une solution douce de nettoyant domestique et d'eau tiède pour la nettoyer. Sécher soigneusement avec un chiffon doux. Pour plus de renseignements, voir la section "Entretien de la table de cuisson" du Guide d'utilisation et d'entretien.
5. Consulter la section "Utilisation de la table de cuisson" dans le Guide d'utilisation et d'entretien.
6. Rétablir l'alimentation électrique.

REMARQUE : Si la table de cuisson ne fonctionne pas après la mise sous tension, vérifier que le disjoncteur ne s'est pas déclenché ou que les fusibles ne sont pas grillés. Voir la section "Dépannage" dans le Guide d'utilisation et d'entretien pour plus de renseignements.

Pour obtenir de l'assistance ou une visite de service :

Consulter la section "Garantie" du Guide d'utilisation et d'entretien.

SCHÉMA DE CÂBLAGE

