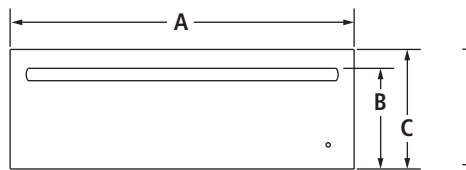


30"/27" WARMING DRAWERS

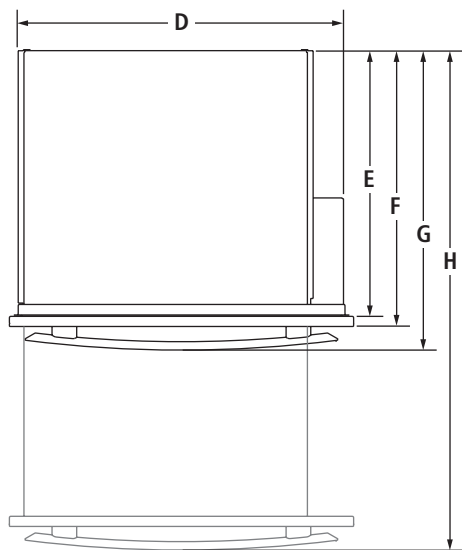
JWD3030E – 29¾" x 10¼" x 26"

JWD3027E – 26¾" x 10¼" x 26"

PRODUCT DIMENSIONS



FRONT VIEW



TOP VIEW

MODEL #		JWD3030E		JWD3027E	
		in	cm	in	cm
A	Overall width (max.)	29¾	75.6	26¾	67.9
	Height to top of handle				
B	Pro-Style® Stainless	9⅞	23.2	—	—
	Euro-Style Stainless	9	23.0	9	23.0
	Custom panel (¾"/1.9 cm)	*	*	*	*
C	Overall height (max.)	10¼	26.1	10¼	26.1
D	Width of recessed warming drawer	28¼	71.8	25¼	64.1
E	Depth of recessed warming drawer	23⅞	58.7	23⅞	58.7
F	Depth with drawer	24½	61.4	24½	61.4
G	Depth with handle				
	Pro-Style® Stainless	26⅞	68.1	—	—
	Euro-Style Stainless	26¼	66.6	26¼	66.6
	Custom panel (¾"/1.9 cm)	*	*	*	*
H	Depth with drawer fully open including handle				
	Pro-Style® Stainless	46⅞	117.1	—	—
	Euro-Style Stainless	45½	115.6	45½	115.6
	Custom panel (¾"/1.9 cm)	*	*	*	*

\*These dimensions to be determined by the custom cabinet maker.

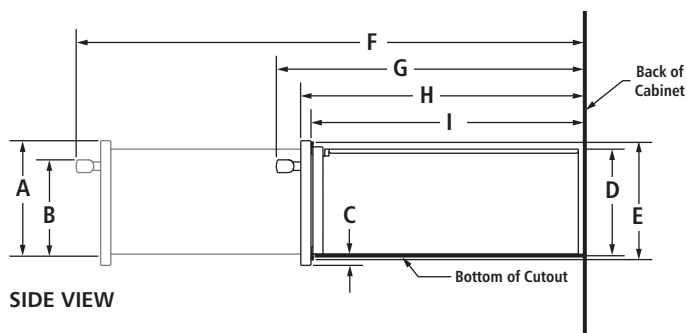
**IMPORTANT:** Dimensional specifications are provided for planning purposes only. Do not make any cutouts based on this information. Refer to the Installation Guide before selecting cabinetry, verifying electrical/gas connections, making cutouts or beginning installation. All Jenn-Air® appliances are appropriately UL, CUL or CSA approved.

30"/27" WARMING DRAWERS

JWD3030E – 29¾" x 10¼" x 26"

JWD3027E – 26¾" x 10¼" x 26"

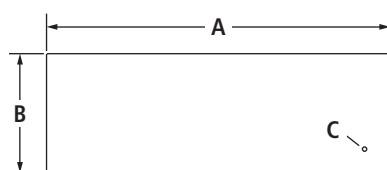
DIMENSIONS AS INSTALLED



MODEL #		JWD3030E		JWD3027E	
		in	cm	in	cm
<b>A</b>	Height to top of drawer (max.)	10¼	26.1	10¼	26.1
<b>B</b>	Height to top of handle				
	Pro-Style® Stainless	8⅝	21.9	—	—
	Euro-Style Stainless	8½	21.5	8½	21.5
	Custom panel (¾"/1.9 cm)	*	*	*	*
<b>C</b>	Height of drawer extending below cutout	⅝	1.6	⅝	1.6
<b>D</b>	Height of recessed warming drawer	9	23.0	9	23.0
<b>E</b>	Height of warming drawer flange	9⅝	25.0	9⅝	25.0
<b>F</b>	Depth with drawer fully open including handle				
	Pro-Style® Stainless	46⅞	117.1	—	—
	Euro-Style Stainless	45½	115.6	45½	115.6
	Custom panel (¾"/1.9 cm)	*	*	*	*
<b>G</b>	Depth with handle				
	Pro-Style® Stainless	26⅞	68.1	—	—
	Euro-Style Stainless	26¼	66.6	26¼	66.6
	Custom panel (¾"/1.9 cm)	*	*	*	*
<b>H</b>	Depth with drawer	24	61.0	24	61.0
<b>I</b>	Depth of recessed warming drawer	23⅞	58.8	23⅞	58.8

\*These dimensions to be determined by the custom cabinet maker.

PANEL DIMENSIONS



MODEL #		JWD3030E		JWD3027E	
		in	cm	in	cm
<b>A</b>	Width (min.-max.)	29-29¾	73.7-75.6	26-26¾	66.1-67.9
<b>B</b>	Height (min.-max.)	9⅛-10⅝	23.0-26.2	9⅛-10⅝	23.0-26.2
<b>C</b>	Hole for indicator light lens (dia.)	⅝	0.8	⅝	0.8

LOCATION OF INDICATOR LIGHT LENS

Locate lens directly in front of indicator light.

PANEL THICKNESS

Depth of flat or raised panel will vary depending on surrounding cabinetry.

**IMPORTANT:** Dimensional specifications are provided for planning purposes only. Do not make any cutouts based on this information. Refer to the Installation Guide before selecting cabinetry, verifying electrical/gas connections, making cutouts or beginning installation. All Jenn-Air® appliances are appropriately UL, CUL or CSA approved.

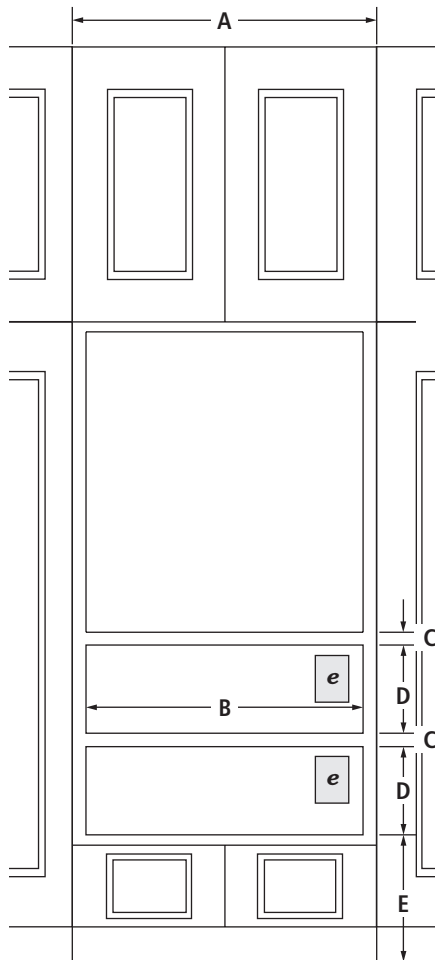


30"/27" WARMING DRAWERS

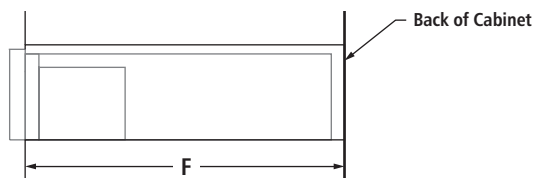
JWD3030E – 29¾" x 10¼" x 26"

JWD3027E – 26¾" x 10¼" x 26"

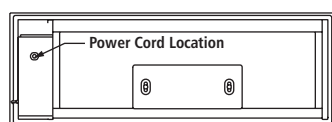
OPENING/CLEARANCE DIMENSIONS



FRONT VIEW



SIDE VIEW



BACK VIEW

MODEL #	JWD3030E		JWD3027E	
	in	cm	in	cm
<b>A</b>	Width of cabinet (min.)			
<b>B</b>	Width of cutout			
<b>C</b>	Height between cutouts (min.)			
<b>D</b>	Height of cutout			
<b>E</b>	Bottom of cutout to floor (recommended)			
	Bottom of cutout to floor (min.)			
<b>F</b>	Depth of cutout (min.)			
<b>e</b>	Recommended outlet location			

**ELECTRICAL REQUIREMENTS**

120 volt, 60 Hz, AC only, 15-amp fused, electrical circuit is required. A dedicated circuit is recommended.

If the outlet is on the rear wall behind the warming drawer, it must be recessed and located in the upper right-hand corner. If outlet is located in an adjacent cabinet, drill a 1½" (3.5 cm) minimum diameter hole in the side wall or support surface to access the power supply cord.

**LOCATION REQUIREMENTS**

Support surface must be solid, level and flush with the bottom of the cabinet cutout. The warming drawer must be leveled before completing installation.

**IMPORTANT:** Dimensional specifications are provided for planning purposes only.

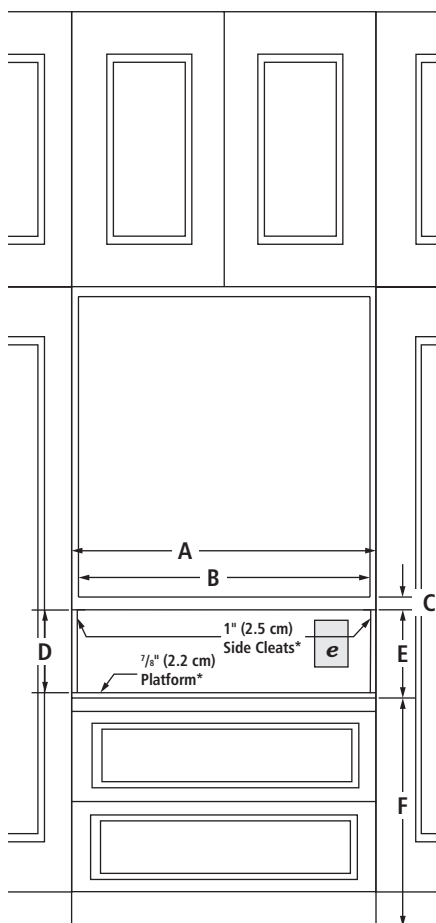
**Do not make any cutouts based on this information.** Refer to the Installation Guide *before* selecting cabinetry, verifying electrical/gas connections, making cutouts or beginning installation. All Jenn-Air® appliances are appropriately UL, CUL or CSA approved.

## 30"/27" WARMING DRAWERS – FLUSH INSTALLATION

**JWD3030E** – 29¾" x 10¼" x 24½" (depth without handle)

**JWD3027E** – 26¾" x 10¼" x 24½" (depth without handle)

### OPENING/CLEARANCE DIMENSIONS



FRONT VIEW

MODEL #	JWD3030E		JWD3027E	
	in	cm	in	cm
<b>A</b>	Width of flush inset cutout (min.)			
<b>B</b>	Width of opening (min.)			
<b>C</b>	Height between cutouts (min.)			
<b>D</b>	Height of opening (min.)			
<b>E</b>	Height of flush inset cutout (min.)			
<b>F</b>	Bottom of cutout to floor (recommended)			
	Bottom of cutout to floor (min.)			
<b>G</b>	Depth of cutout (min.)			
<b>e</b>	Recommended outlet location			

### ELECTRICAL REQUIREMENTS

120 volt, 60 Hz, AC only, 15-amp fused, electrical circuit is required. A dedicated circuit is recommended.

If the outlet is on the rear wall behind the warming drawer, it must be recessed and located in the upper right-hand corner. If outlet is located in an adjacent cabinet, drill a 1⅜" (3.5 cm) minimum diameter hole in the side wall or support surface to access the power supply cord.

### LOCATION REQUIREMENTS

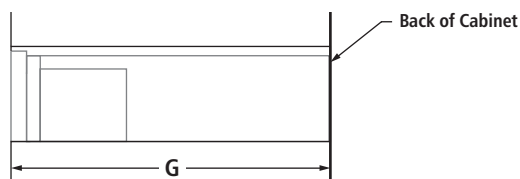
Support surface must be solid, level and flush with the bottom of the cabinet cutout. The warming drawer must be leveled before completing installation.

### FLUSH INSTALLATION REQUIREMENTS

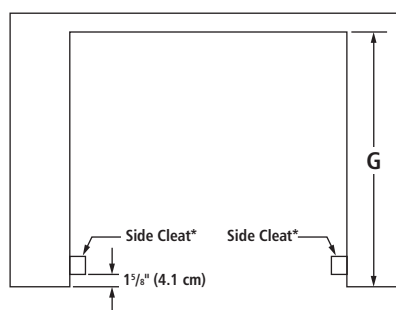
A 25⅜" (64.5 cm) minimum cutout depth is required.

These dimensions will result in a ¼" (0.6 cm) reveal on all sides of the warming drawer.

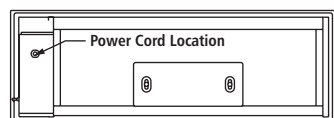
The front face of the cleats and platforms will be visible and should be treated as a finished surface.



SIDE VIEW



TOP VIEW



BACK VIEW

\*Cleats and platform must be recessed 1" (2.5 cm) from the front of the cabinet.

**IMPORTANT:** Dimensional specifications are provided for planning purposes only.

**Do not make any cutouts based on this information.** Refer to the Installation Guide *before* selecting cabinetry, verifying electrical/gas connections, making cutouts or beginning installation.

All Jenn-Air® appliances are appropriately UL, CUL or CSA approved.