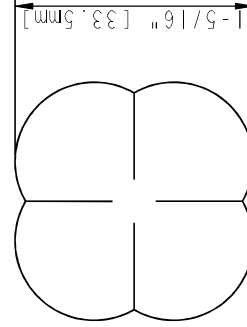
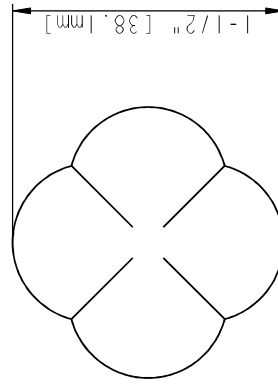
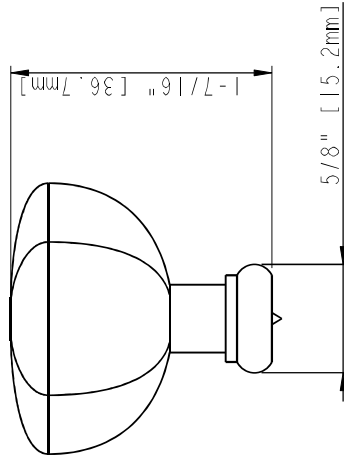
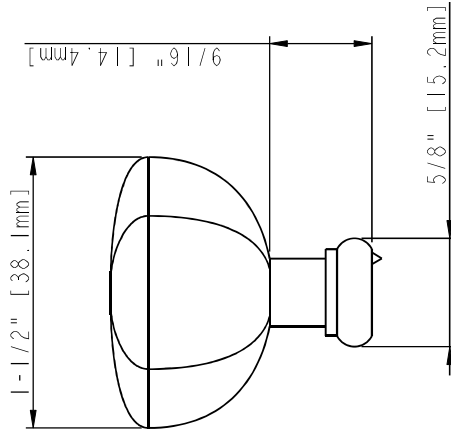
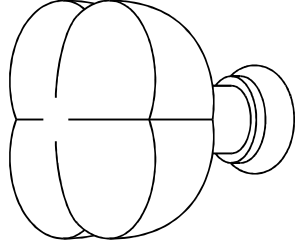
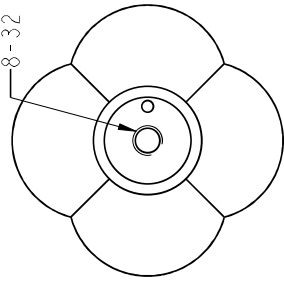


8-32 UNC - ∇ 1/2" [12.7mm]



ACCESSORY:
 SCREW: 8-32X1" 1 PCS
 BREAK AWAY SCREW: 8-32x45 1 PCS
 ALL SCREW MATERIAL: STEEL-SAE1006

hardware resources		ITEM: 6861L	MATERIAL: Zomok 3
SUBELEMENT AND CONFIDENTIAL		WEIGHT: 113.5 GRAM/0.250 LBS	PROJECTION
THE INFORMATION CONTAINED IN THIS DRAWING IS THE SOLE PROPERTY OF HARDWARE RESOURCES INC. ANY REPRODUCTION IN PART OR AS A WHOLE WITHOUT THE WRITTEN PERMISSION OF HARDWARE RESOURCES INC. IS PROHIBITED.		UNITS: I D C H / M M	DATE:
TOLERANCE UNLESS OTHERWISE SPECIFIED: X .0020 Y .0015 Z .0010 H .0005 ANGULAR: .005°		DRWN BY: <i>Man. Lu</i>	DATE:
DO NOT SCALE DRAWING		APPROVED BY:	DATE:
		SHEET:	REVISION: