
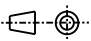
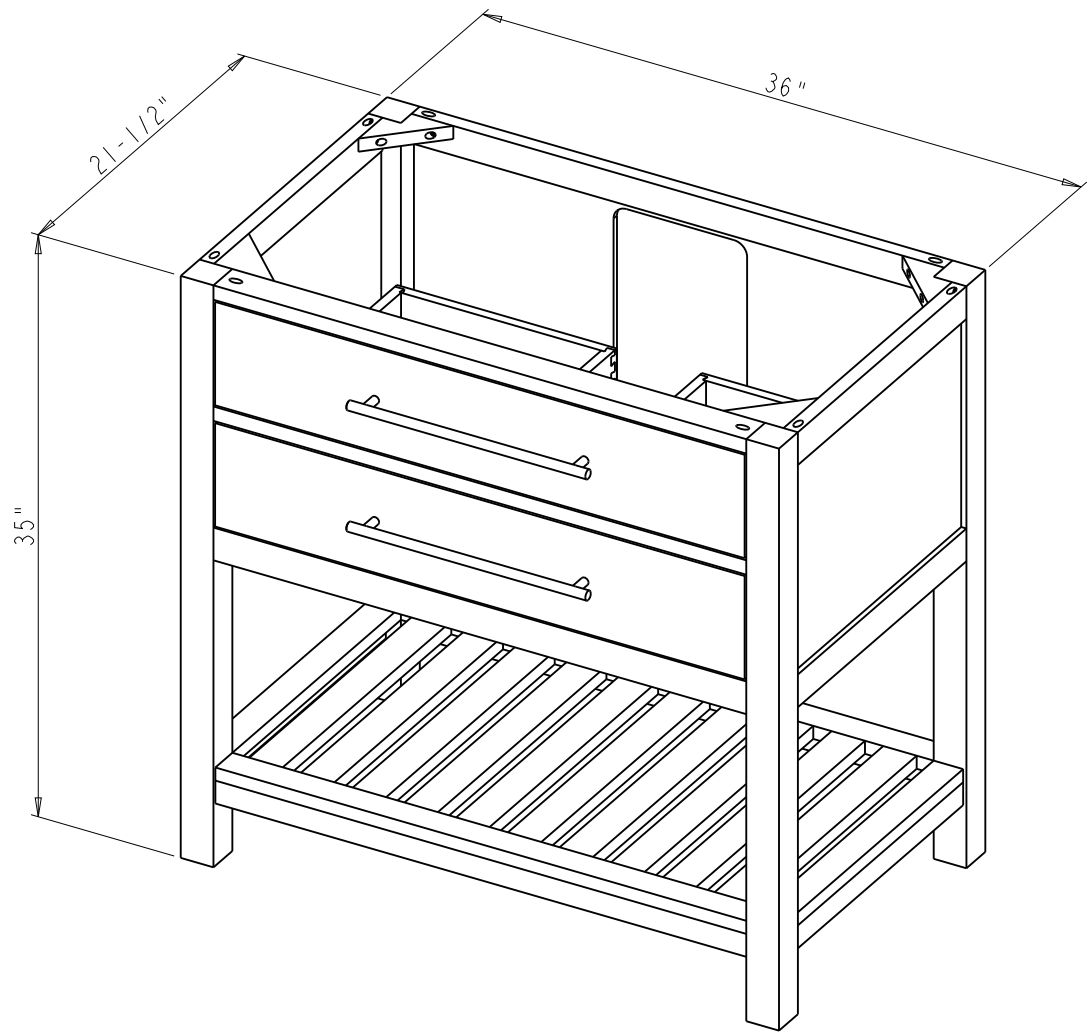



Specification:

1. Finish: See Table
2. Hardware: See Table
3. Hinge: 700.0537.25+600.1234.05 (2 set)
4. Slide: USE58-300-18 + USCLIP2ND-4W (1 set)
5. Lid Stay (1 pcs)
6. The tolerance is +/- 1/8"

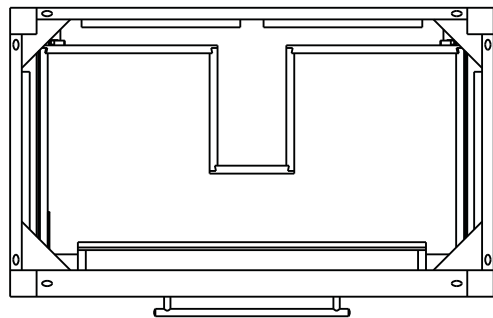
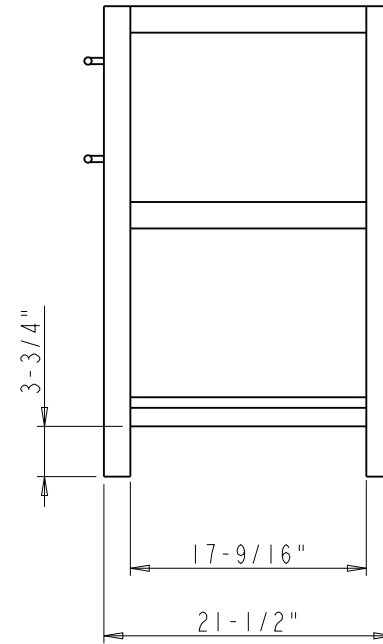
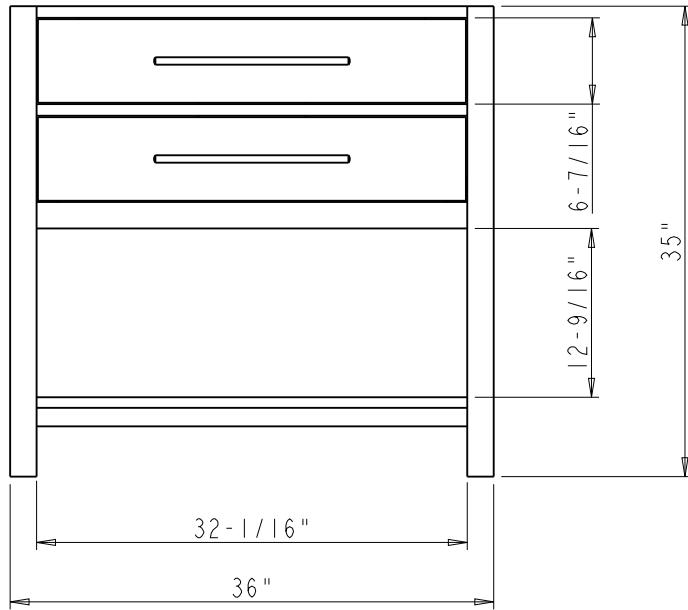
Item number	Finish	Deco Hardware	
		Item number	Qty
VN2WAV-36-GR-NT	Grey	370SN	2
VN2WAV-36-WH-NT	White	370MB	2
VN2WAV-36-BL-NT	Blue	370SBZ	2
VN2WAV-36-GN-NT	Green	370SBZ	2
VN2WAV-36-WG-NT	Weathered Grey	370MB	2

 PROPRIETARY AND CONFIDENTIAL THE INFORMATION CONTAINED IN THIS DRAWING IS THE SOLE PROPERTY OF HARDWARE RESOURCES INC. ANY REPRODUCTION IN PART OR AS A WHOLE WITHOUT THE WRITTEN PERMISSION OF HARDWARE RESOURCES INC. IS PROHIBITED.	ITEM#: VN2WAV-36	MATERIAL:
	FINISH:	WEIGHT: 9
	TOLERANCE UNLESS OTHERWISE SPECIFIED: X ±0.20 X.X ±0.10 X.XX ±0.05 ANGULAR: ±0.5° DO NOT SCALE DRAWING	PROJECTION  UNITS: DRAWN BY: Tony.Huang DATE: Nov-22-21 APPROVED BY: DATE: SHEET: RELEASE LEVEL: REVISION:



 PROPRIETARY AND CONFIDENTIAL THE INFORMATION CONTAINED IN THIS DRAWING IS THE SOLE PROPERTY OF HARDWARE RESOURCES INC. ANY REPRODUCTION IN PART OR AS A WHOLE WITHOUT THE WRITTEN PERMISSION OF HARDWARE RESOURCES INC. IS PROHIBITED.	ITEM#: VN2WAV - 36		MATERIAL:		
	FINISH:		WEIGHT: 9		
	TOLERANCE UNLESS OTHERWISE SPECIFIED: X ±0.20 X.X ±0.10 X.XX ±0.05 ANGULAR: ±0.5° DO NOT SCALE DRAWING		UNITS:	DRAWN BY: <i>Hugo.cai</i>	DATE: Mar - 24 - 20
	SIZE:	APPROVED BY:	RELEASE LEVEL:	REVISION:	





	ITEM#: VN2WAV - 36		MATERIAL:		
	FINISH:		WEIGHT:		
<p>PROPRIETARY AND CONFIDENTIAL</p> <p>THE INFORMATION CONTAINED IN THIS DRAWING IS THE SOLE PROPERTY OF HARDWARE RESOURCES INC. ANY REPRODUCTION IN PART OR AS A WHOLE WITHOUT THE WRITTEN PERMISSION OF HARDWARE RESOURCES INC. IS PROHIBITED.</p> <p>DO NOT SCALE DRAWING</p>	UNITS:		DRAWN BY: <i>Hugo.cai</i>		DATE: Mar - 24 - 20
	TOLERANCE UNLESS OTHERWISE SPECIFIED: X ±0.20 X.X ±0.10 X.XX ±0.05 ANGULAR: ±0.5°		SIZE:	APPROVED BY:	DATE:
	SHEET:		RELEASE LEVEL:	REVISION:	
	PROJECTION		9		