

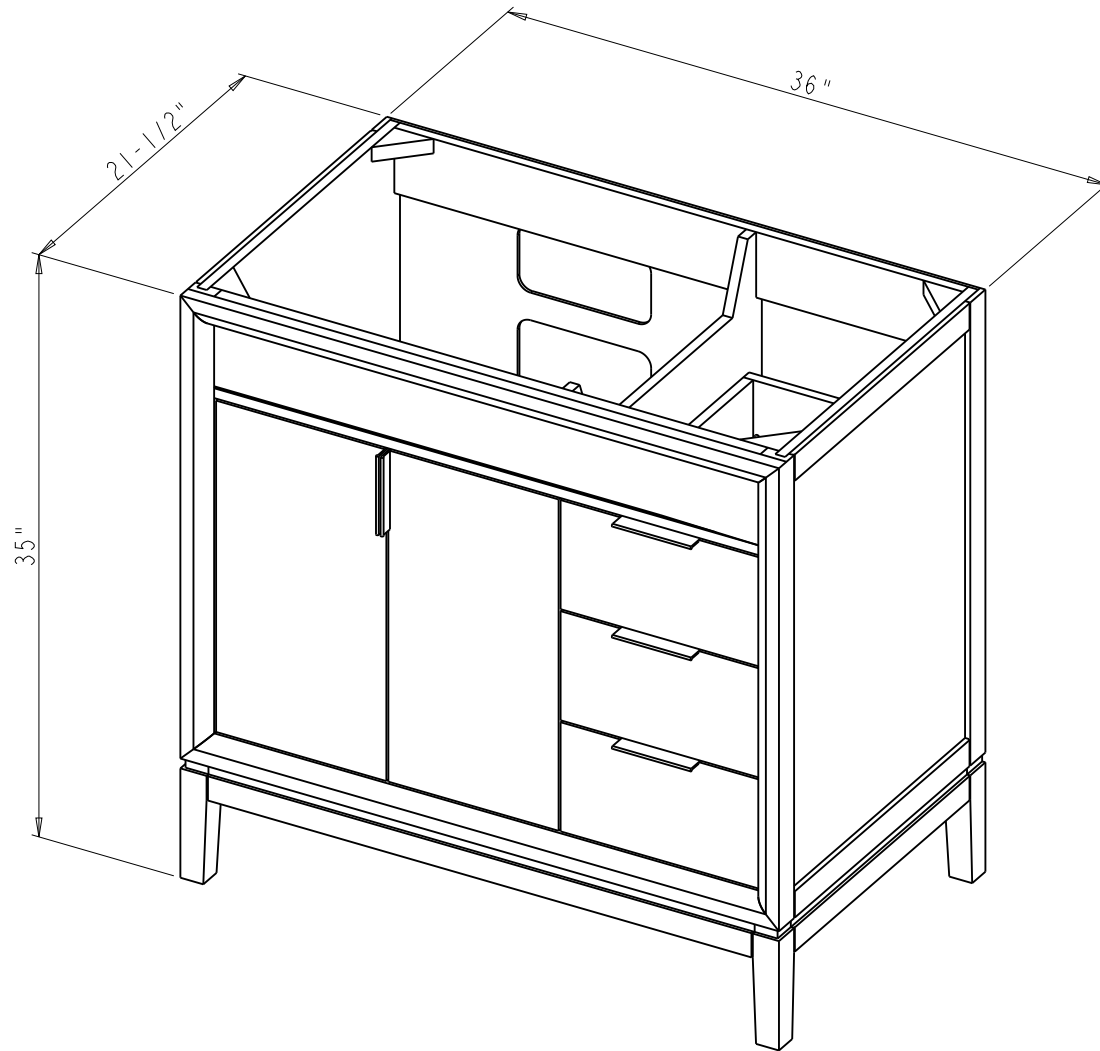
ADJUSTABLE-SHELF


Specification:

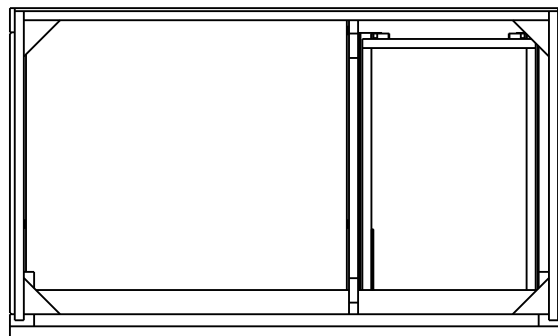
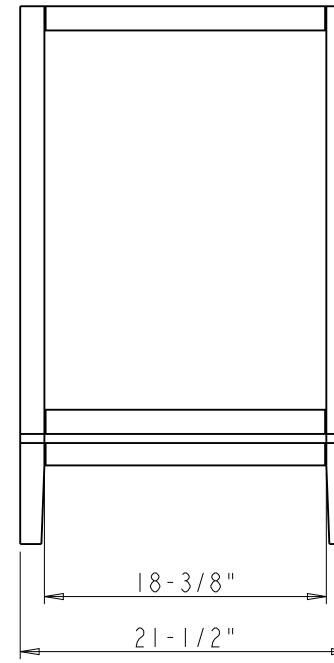
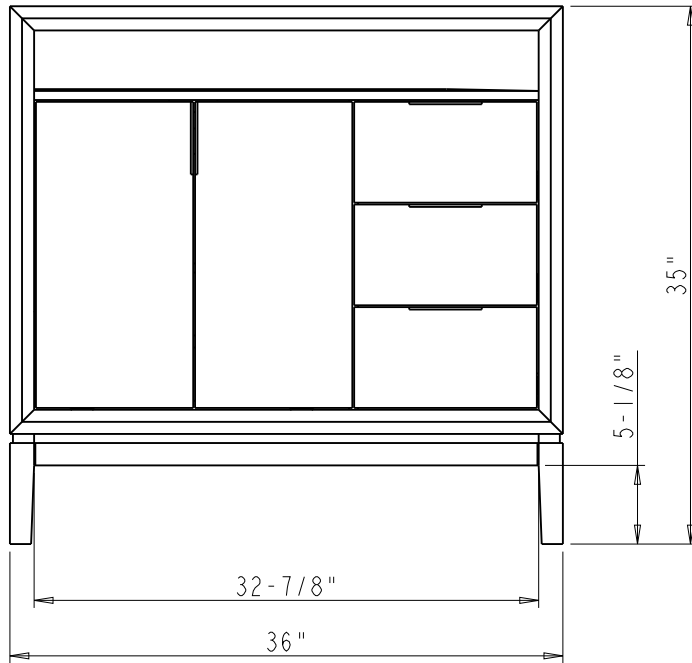
1. Material: MDF + Plywood + Birch
2. Finish: See Table
3. Hardware: See Table
4. Slides: USE58-300-18 + USCLIP2ND-4W(4 Set)
5. Hinge: 700.0537.25 + 600.1234.05 (2 Set)
700.0536.25 + 600.1234.05 (2 Set)
6. Shelf Supports: I707BN (4 PCS)
7. The tolerance is +/- 1/8"

Item number	Finish	Deco Hardware	
		Item number	Qty
VN2THE-36-BK-NT	Black	PC, vendor's item	5
VN2THE-36-BL-NT	Blue	SBZ, vendor's item	5
VN2THE-36-BS-NT	Blue Steel	PC, vendor's item	5
VN2THE-36-GN-NT	Green	SBZ, vendor's item	5
VN2THE-36-GR-NT	Grey	PC, vendor's item	5
VN2THE-36-WH-NT	White	PC, vendor's item	5

<p>hardware resources</p> <p><small>PROPRIETARY AND CONFIDENTIAL</small></p> <p><small>THE INFORMATION CONTAINED IN THIS DRAWING IS THE SOLE PROPERTY OF HARDWARE RESOURCES INC. ANY REPRODUCTION IN PART OR AS A WHOLE WITHOUT THE WRITTEN PERMISSION OF HARDWARE RESOURCES INC. IS PROHIBITED.</small></p> <p><small>DO NOT SCALE DRAWING</small></p>	ITEM:	VN2THE-36	MATERIAL:		
	FINISH:		WEIGHT:	9	
	TOLERANCE UNLESS OTHERWISE SPECIFIED:		UNITS:	DRAWN BY:	DATE:
	X ±0.20 X.X ±0.10 X.XX ±0.05 ANGULAR: ±0.5°		SIZE:	APPROVED BY:	DATE:
SHEET:		RELEASE LEVEL:	REVISION:		



 <p>PROPRIETARY AND CONFIDENTIAL</p> <p>THE INFORMATION CONTAINED IN THIS DRAWING IS THE SOLE PROPERTY OF HARDWARE RESOURCES INC. ANY REPRODUCTION IN PART OR AS A WHOLE WITHOUT THE WRITTEN PERMISSION OF HARDWARE RESOURCES INC. IS PROHIBITED.</p>	ITEM#: VN2THE - 36		MATERIAL:		
	FINISH:		WEIGHT: 9		
	TOLERANCE UNLESS OTHERWISE SPECIFIED: X ±0.20 X.X ±0.10 X.XX ±0.05 ANGULAR: ±0.5°		UNITS:	DRAWN BY: <i>Tony.Huang</i>	DATE: May-20-21
	DO NOT SCALE DRAWING		SIZE:	APPROVED BY:	DATE:
		SHEET:	RELEASE LEVEL:	REVISION:	



	ITEM#: VN2THE - 36		MATERIAL:		
	FINISH:		WEIGHT: 9		
PROPRIETARY AND CONFIDENTIAL THE INFORMATION CONTAINED IN THIS DRAWING IS THE SOLE PROPERTY OF HARDWARE RESOURCES INC. ANY REPRODUCTION IN PART OR AS A WHOLE WITHOUT THE WRITTEN PERMISSION OF HARDWARE RESOURCES INC. IS PROHIBITED.	PROJECTION		DATE: May-20-21		
	TOLERANCE UNLESS OTHERWISE SPECIFIED: X ±0.20 X.X ±0.10 X.XX ±0.05 ANGULAR: ±0.5°		UNITS: SIZE: SHEET:	DRAWN BY: Tony.Huang APPROVED BY:	DATE:
	DO NOT SCALE DRAWING		RELEASE LEVEL:	REVISION:	