

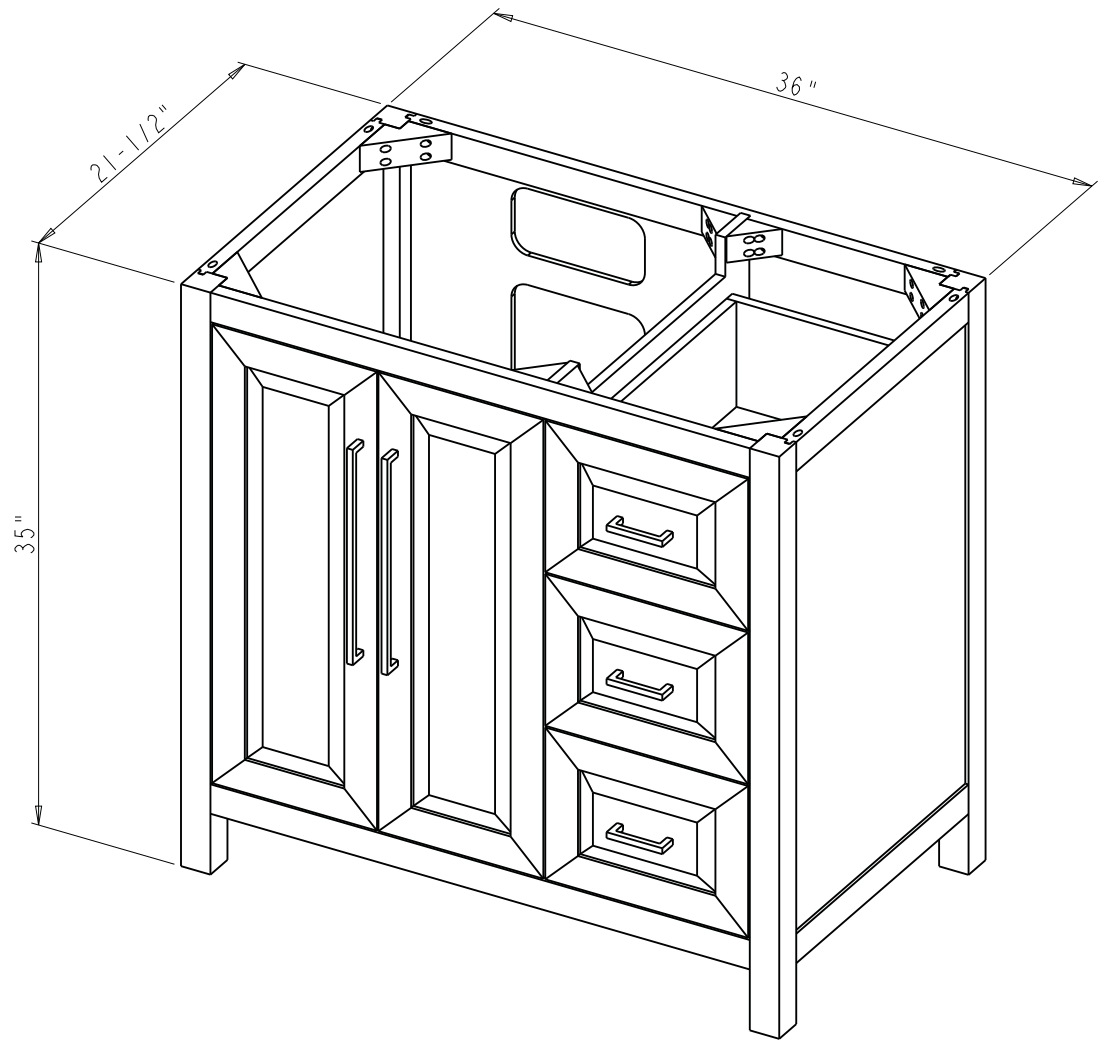
Adjustable-Shelf


Specification:

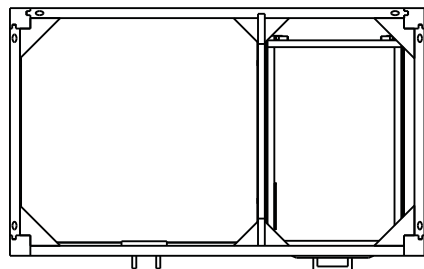
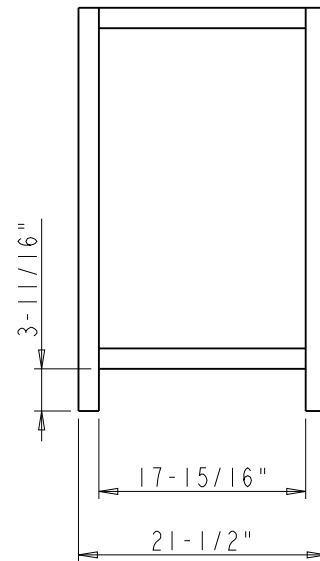
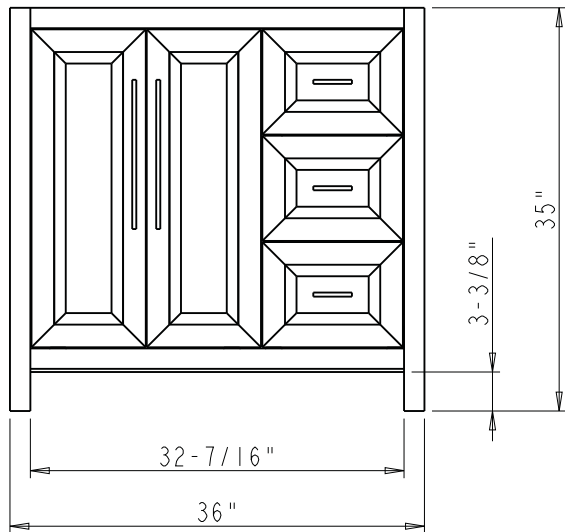
1. Material: MDF + Plywood + Birch
2. Finish: See Table
3. Hardware: See Table
4. Slides: USE58-300-18 + USCLIP2ND-4W (4 Sets)
5. Hinge: 700.0536.25 + 600.1234.05 (2 Sets)
700.0537.25 + 600.1234.05 (2 Sets)
- 6 Shelf Supports: 1707 (4 PCS)
7. The bowl is offset to the left
8. The tolerance is +/- 1/8"

Item number	Finish	Deco Hardware			
		Item number	Qty	Item number	Qty
VN2CAD-36-BK-NT	Black	625-320PC	2	625-3PC	3
VN2CAD-36-GR-NT	Grey	625-320PC	2	625-3PC	3
VN2CAD-36-WH-NT	White	625-320PC	2	625-3PC	3
VN2CAD-36-BL-NT	Blue	625-320SBZ	2	625-3SBZ	3
VN2CAD-36-GN-NT	Green	625-320SBZ	2	625-3SBZ	3

<p>hardware resources</p> <p><small>PROPRIETARY AND CONFIDENTIAL</small></p> <p><small>THE INFORMATION CONTAINED IN THIS DRAWING IS THE SOLE PROPERTY OF HARDWARE RESOURCES INC. ANY REPRODUCTION IN PART OR AS A WHOLE WITHOUT THE WRITTEN PERMISSION OF HARDWARE RESOURCES INC. IS PROHIBITED.</small></p> <p><small>DO NOT SCALE DRAWING</small></p>	ITEM#: VN2CAD-36	MATERIAL:	
	FINISH:	WEIGHT: 9	
	TOLERANCE UNLESS OTHERWISE SPECIFIED: X ±0.20 X.X ±0.10 X.XX ±0.05 ANGULAR: ±0.5°	UNITS:	PROJECTION
	DATE: Nov-22-21	DRAWN BY: Tony.Huang	DATE:
	APPROVED BY:	DATE:	
	RELEASE LEVEL:	REVISION:	



 <p>PROPRIETARY AND CONFIDENTIAL</p> <p>THE INFORMATION CONTAINED IN THIS DRAWING IS THE SOLE PROPERTY OF HARDWARE RESOURCES INC. ANY REPRODUCTION IN PART OR AS A WHOLE WITHOUT THE WRITTEN PERMISSION OF HARDWARE RESOURCES INC. IS PROHIBITED.</p>	ITEM#: VN2CAD - 36		MATERIAL:		
	FINISH:		WEIGHT: 9		
	TOLERANCE UNLESS OTHERWISE SPECIFIED: X ±0.20 X.X ±0.10 X.XX ±0.05 ANGULAR: ±0.5°		UNITS:	DRAWN BY: <i>Hugo.cai</i>	DATE: Mar - 16 - 20
	DO NOT SCALE DRAWING		SIZE:	APPROVED BY:	DATE:
		SHEET:	RELEASE LEVEL:	REVISION:	



	ITEM#: VN2CAD-36		MATERIAL:	
	FINISH:		WEIGHT:	
<p>PROPRIETARY AND CONFIDENTIAL</p> <p>THE INFORMATION CONTAINED IN THIS DRAWING IS THE SOLE PROPERTY OF HARDWARE RESOURCES INC. ANY REPRODUCTION IN PART OR AS A WHOLE WITHOUT THE WRITTEN PERMISSION OF HARDWARE RESOURCES INC. IS PROHIBITED.</p>	UNITS:		DRAWN BY:	DATE:
	TOLERANCE UNLESS OTHERWISE SPECIFIED:		<i>Hugo.cai</i>	
	SIZE:		APPROVED BY:	DATE:
	ANGULAR: ±0.5°		RELEASE LEVEL:	REVISION:
DO NOT SCALE DRAWING	SHEET:		PROJECTION	