
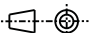
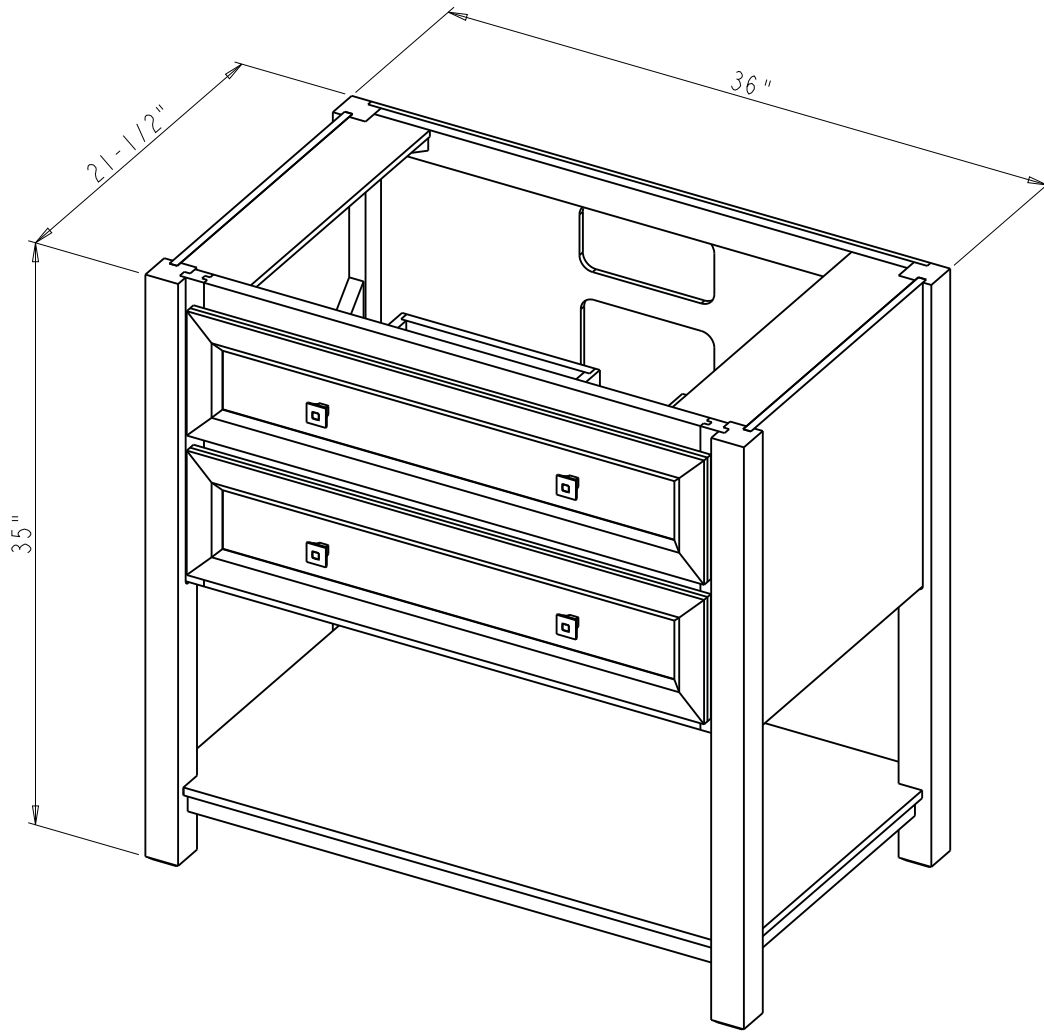



Specification:

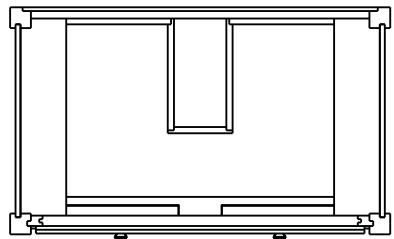
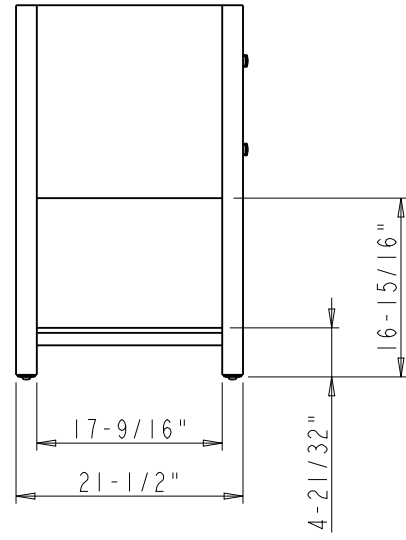
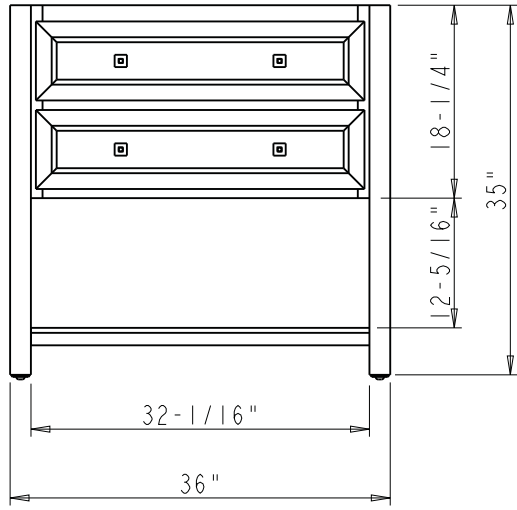
1. Material: MDF
2. Finish: See Table
3. Hardware: See Table
4. Hinge: 700.0536.25 + 600.1234.05 (2 Sets)
5. Slide: 303-300-20 (1 Sets)
6. Lid Stay (1 PC)
7. Tipout Tray: TOSSII-REPL (2 PCS)
8. The tolerance is +/- 1/8"

| Item number | Finish | Deco Hardware | |
|-----------------|--------|---------------|-----|
| | | Item number | Qty |
| VN2ADL-36-BK-NT | Black | 910SN | 4 |
| VN2ADL-36-BL-NT | Blue | 944SBZ | 4 |
| VN2ADL-36-GR-NT | Grey | 910SN | 4 |
| VN2ADL-36-WH-NT | White | 910SN | 4 |

| | | | |
|---|---|--|---|
|  PROPRIETARY AND CONFIDENTIAL THE INFORMATION CONTAINED IN THIS DRAWING IS THE SOLE PROPERTY OF HARDWARE RESOURCES INC. ANY REPRODUCTION IN PART OR AS A WHOLE WITHOUT THE WRITTEN PERMISSION OF HARDWARE RESOURCES INC. IS PROHIBITED. | ITEM#: VN2ADL-36 | MATERIAL: | |
| | FINISH: | WEIGHT: 9 | |
| | TOLERANCE UNLESS OTHERWISE SPECIFIED: X ±0.20 X.X ±0.10 X.XX ±0.05 ANGULAR: ±0.5° | UNITS: DRAWN BY: <i>Hugo.cai</i> DATE: Mar-12-20 | PROJECTION  DATE: |
| | DO NOT SCALE DRAWING | APPROVED BY: RELEASE LEVEL: | DATE: REVISION: |



| | | | | | |
|---|---|--------|----------------|---------------------------|---------------------|
|  <p>PROPRIETARY AND CONFIDENTIAL</p> <p>THE INFORMATION CONTAINED IN THIS DRAWING IS THE SOLE PROPERTY OF HARDWARE RESOURCES INC. ANY REPRODUCTION IN PART OR AS A WHOLE WITHOUT THE WRITTEN PERMISSION OF HARDWARE RESOURCES INC. IS PROHIBITED.</p> | ITEM#: VN2ADL - 36 | | MATERIAL: | | |
| | FINISH: | | WEIGHT: 9 | | |
| | TOLERANCE UNLESS OTHERWISE SPECIFIED: X ±0.20 X.X ±0.10 X.XX ±0.05 ANGULAR: ±0.5° | | UNITS: | DRAWN BY: <i>Hugo.cai</i> | DATE: Mar - 12 - 20 |
| | DO NOT SCALE DRAWING | | SIZE: | APPROVED BY: | DATE: |
| | | SHEET: | RELEASE LEVEL: | REVISION: | |



| | | | | |
|---|---------------------------------------|----------------|-----------|---------------------|
| <p>hardware resources</p> <p>PROPRIETARY AND CONFIDENTIAL</p> <p>THE INFORMATION CONTAINED IN THIS DRAWING IS THE SOLE PROPERTY OF HARDWARE RESOURCES INC. ANY REPRODUCTION IN PART OR AS A WHOLE WITHOUT THE WRITTEN PERMISSION OF HARDWARE RESOURCES INC. IS PROHIBITED.</p> <p>DO NOT SCALE DRAWING</p> | ITEM#: VN2ADL - 36 | | MATERIAL: | |
| | FINISH: | | WEIGHT: | |
| | TOLERANCE UNLESS OTHERWISE SPECIFIED: | | UNITS: | |
| | SIZE: | | DRAWN BY: | |
| ANGULAR: ±0.5° | | APPROVED BY: | | DATE: Mar - 12 - 20 |
| SHEET: | | RELEASE LEVEL: | | REVISION: |

