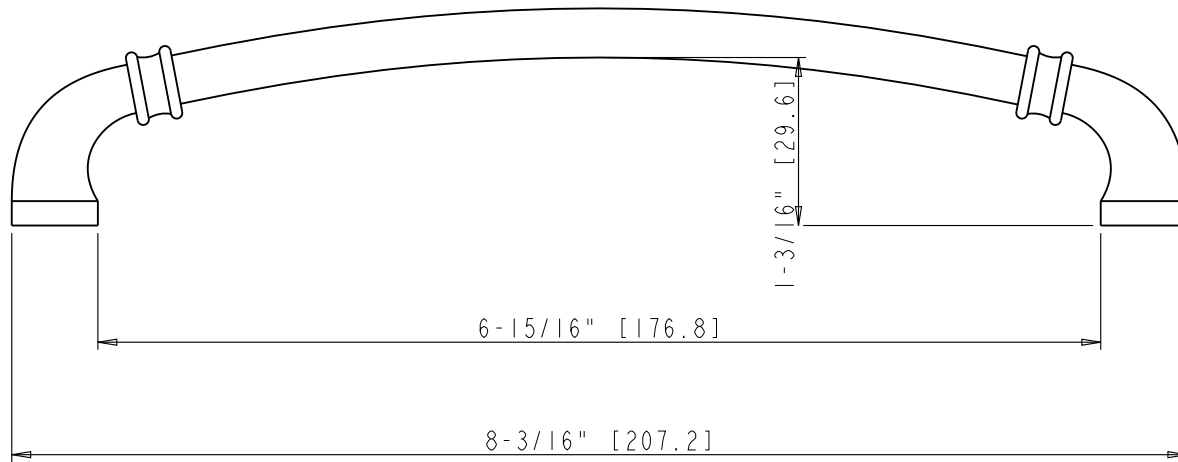


8-32 UNC - √ 3/8" [10.16]

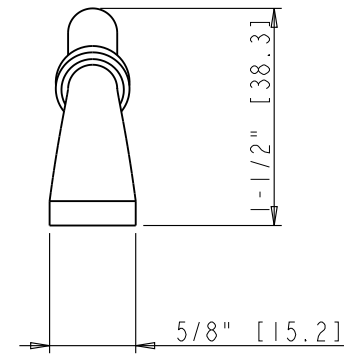
96MM CC



6-15/16" [176.8]

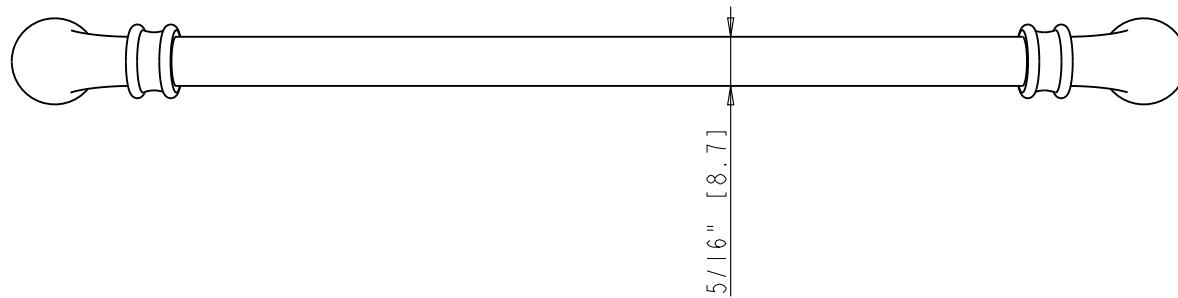
1-3/16" [29.6]

8-3/16" [207.2]


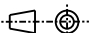


1-1/2" [38.3]

5/8" [15.2]



5/16" [8.7]

	ITEM:	445-192		MATERIAL:	Zinc
	FINISH:			WEIGHT:	114 Gram/0.250 LBS
PROPRIETARY AND CONFIDENTIAL THE INFORMATION CONTAINED IN THIS DRAWING IS THE SOLE PROPERTY OF HARDWARE RESOURCES INC. ANY REPRODUCTION IN PART OR AS A WHOLE WITHOUT THE WRITTEN PERMISSION OF HARDWARE RESOURCES INC. IS PROHIBITED.	TOLERANCE UNLESS OTHERWISE SPECIFIED: X ±0.20 X.X ±0.10 X.XX ±0.05 ANGULAR: ±0.5°		UNITS: DRAWN BY: Alexander.W	DATE: DATE:	PROJECTION 
DO NOT SCALE DRAWING	SHEET:	RELEASE LEVEL:	REVISION:		