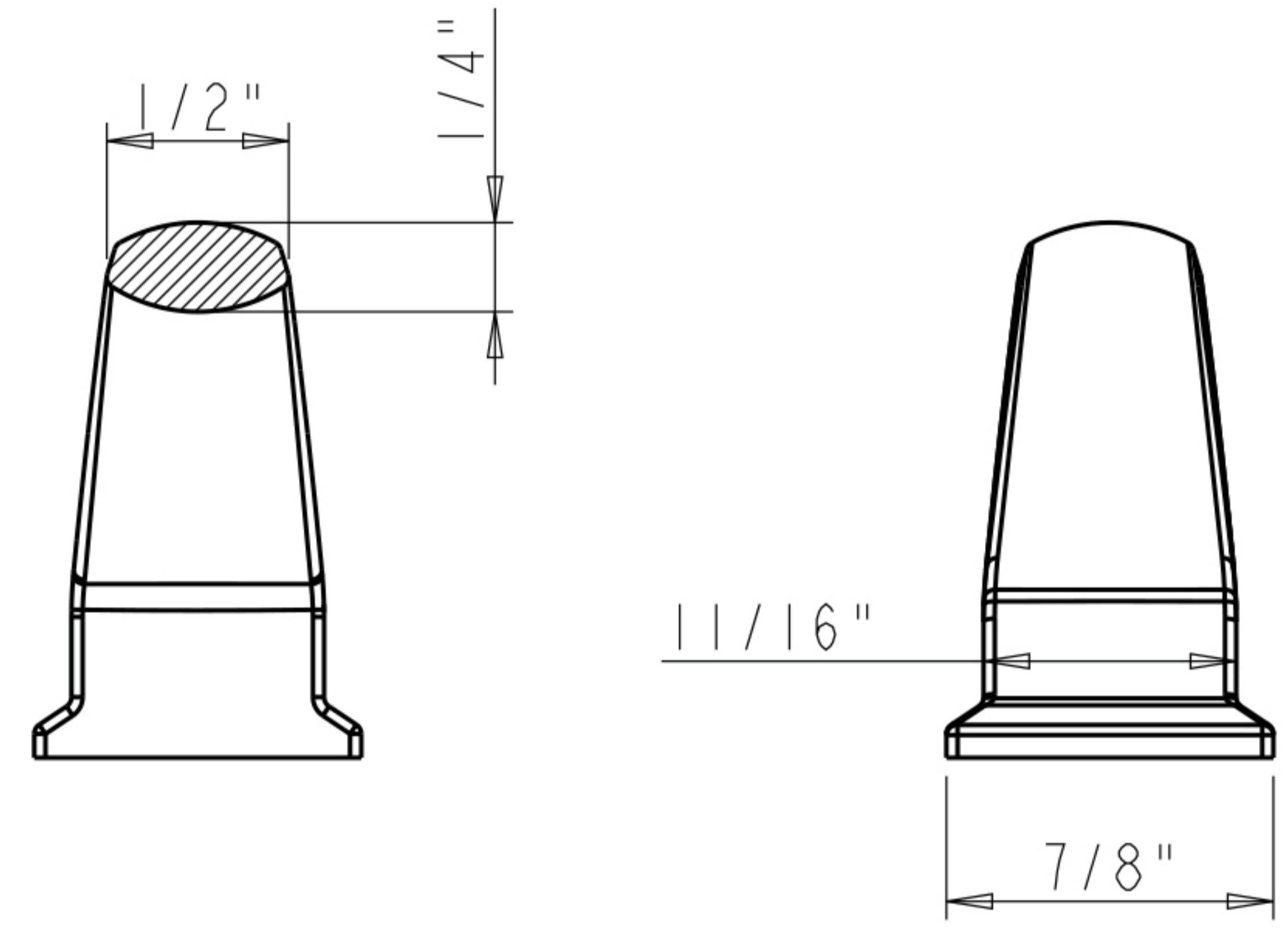
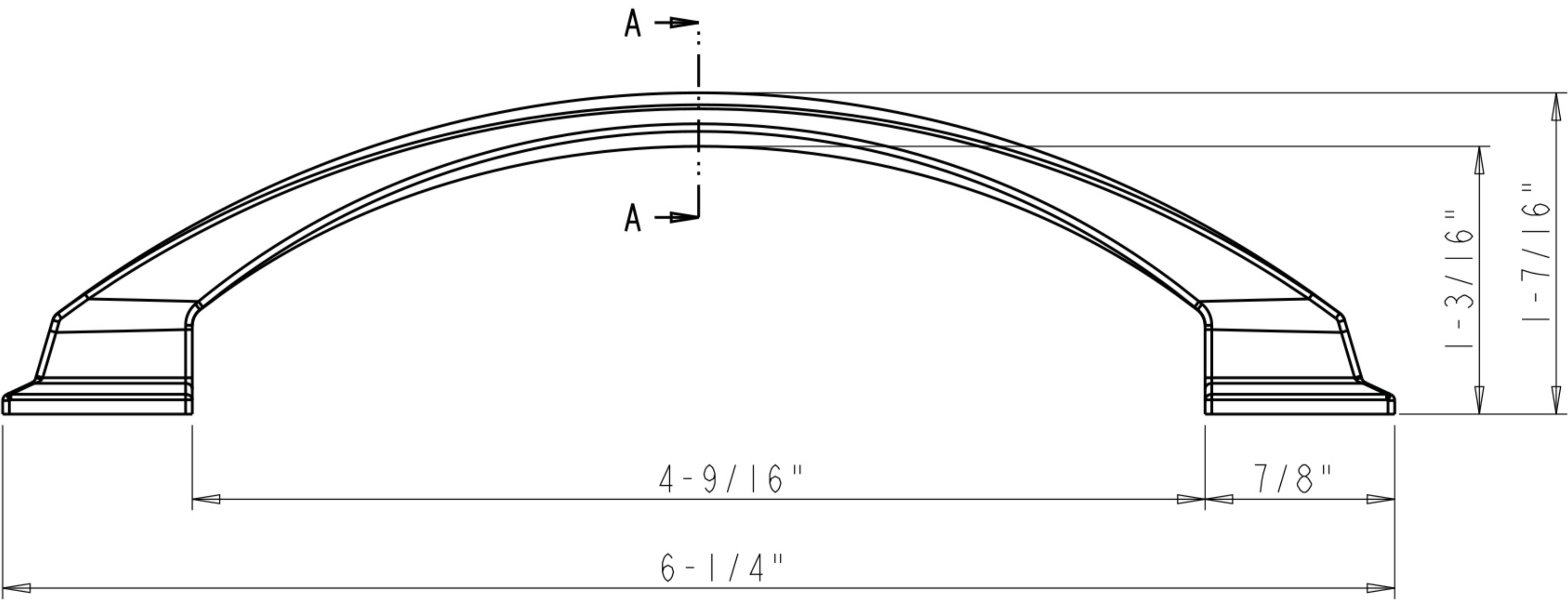
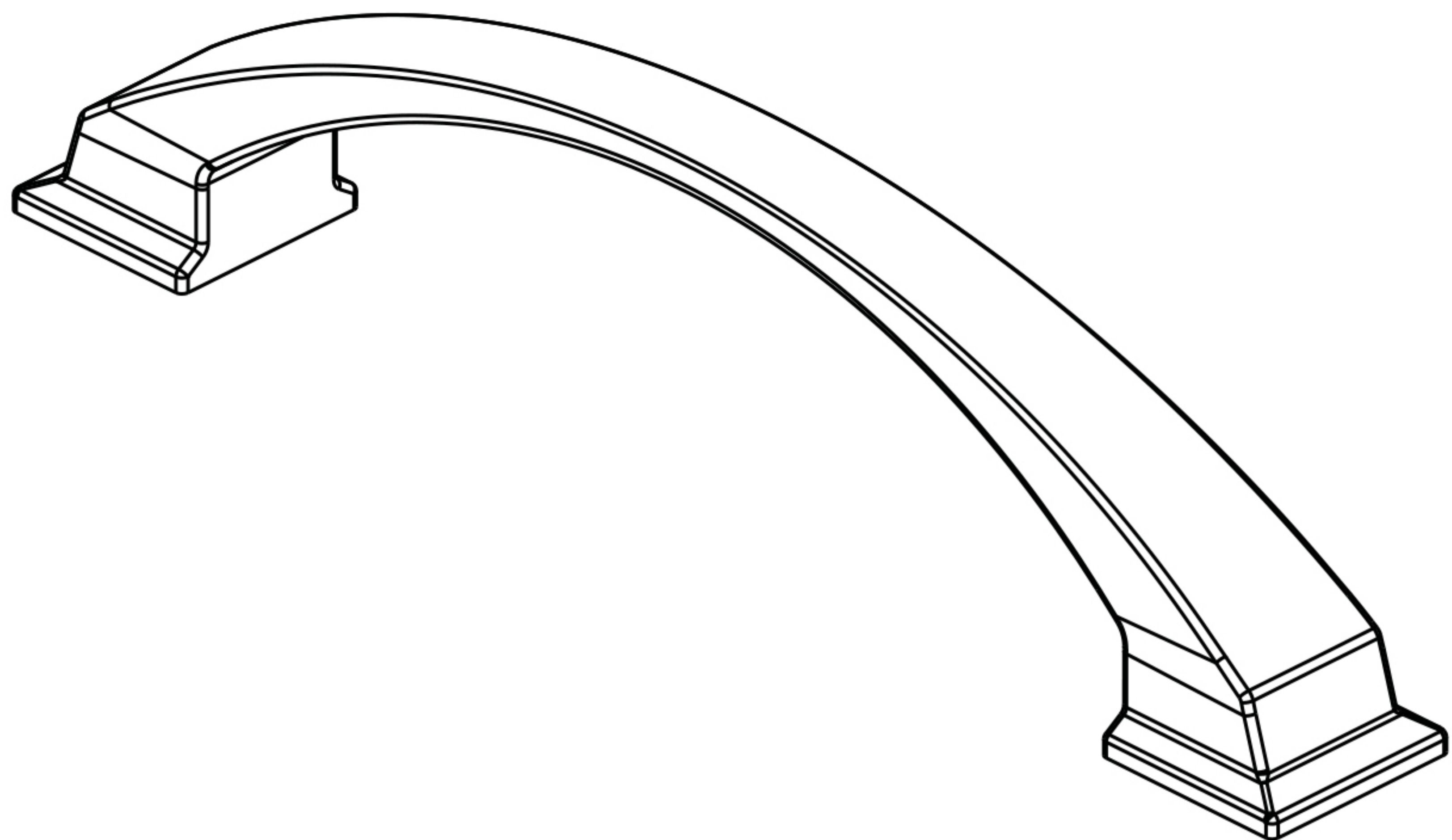
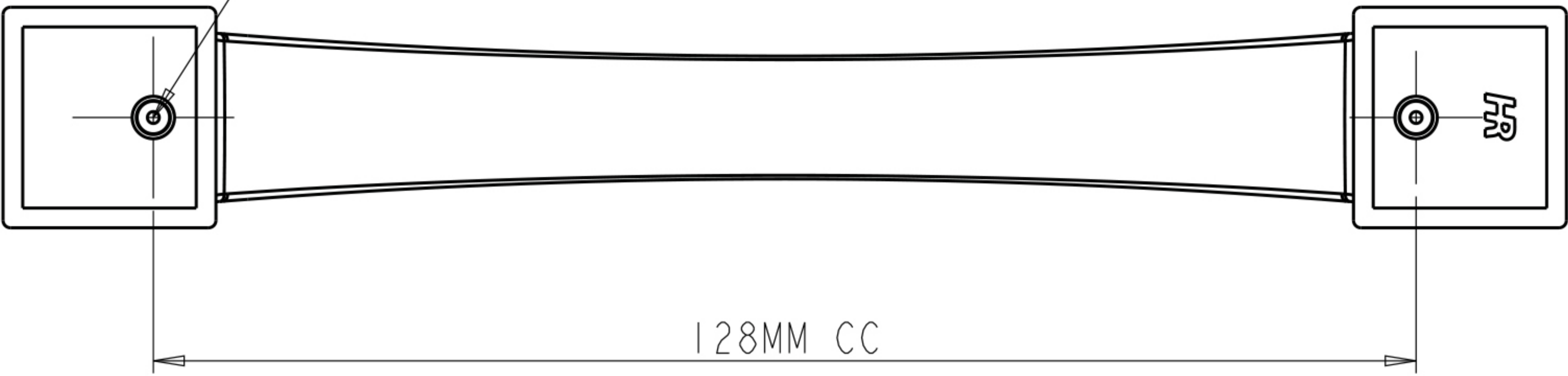
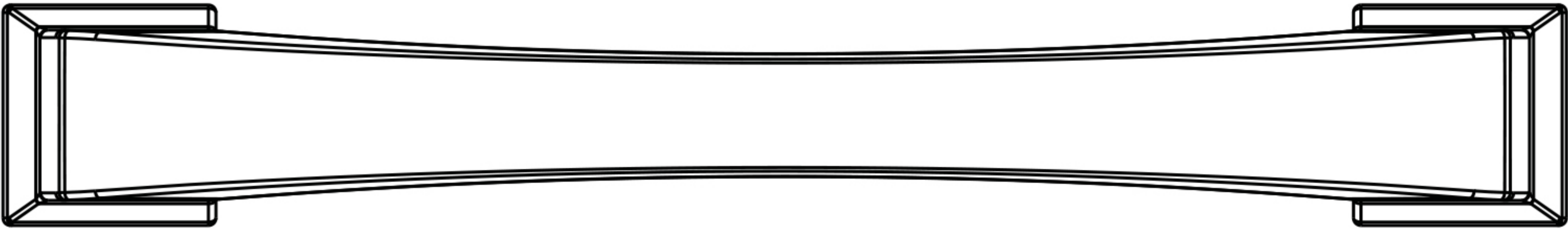


8-32 UNC - MINIMUM THREAD DEPTH 10MM



SECTION A-A



	ITEM#: 944-128	MATERIAL: ZINC	
	FINISH:	WEIGHT: 129 g	
PROPRIETARY AND CONFIDENTIAL THE INFORMATION CONTAINED IN THIS DRAWING IS THE SOLE PROPERTY OF HARDWARE RESOURCES INC. ANY REPRODUCTION IN PART OR AS A WHOLE WITHOUT THE WRITTEN PERMISSION OF HARDWARE RESOURCES INC. IS PROHIBITED.	TOLERANCE UNLESS OTHERWISE SPECIFIED: X ±0.20 X.X ±0.10 X.XX ±0.05 ANGULAR: ±0.5° DO NOT SCALE DRAWING	UNITS:	DRAWN BY: <i>Hugo.cai</i>
	SIZE:	APPROVED BY:	DATE: Mar-14-18
	SHEET:	RELEASE LEVEL:	REVISION: