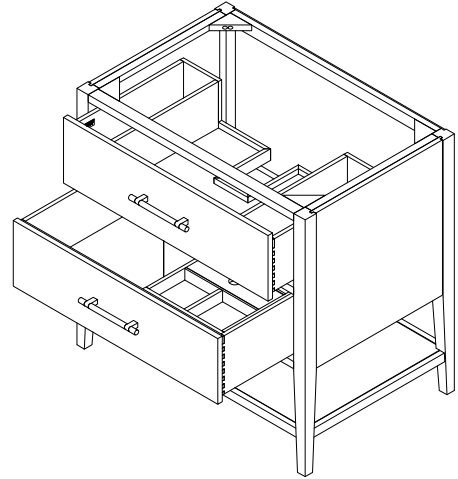
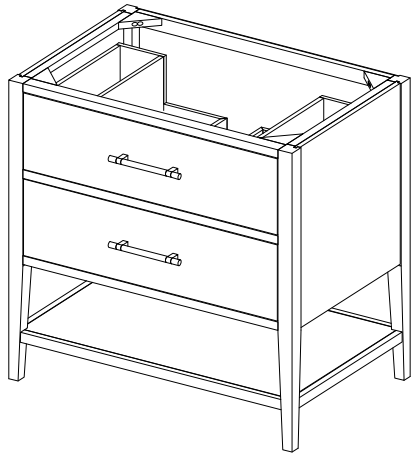


### 36" Olena Single Vanity

D804-V36-LMB



### 36" Olena Single Vanity

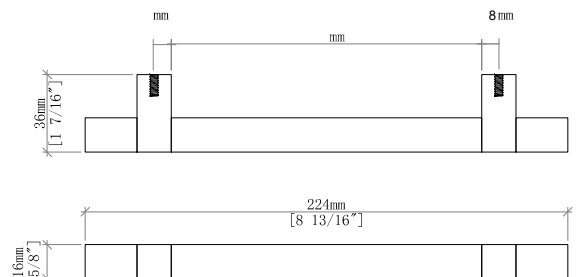
#### Details and Features

- Solids: Beech
- Veneers: Mappa Burl, Beech (Polished White) Painted Finish
- Panels: Marine MDF
- Installation Type: Free Standing
- Number of Doors: 0
- Number of Drawers: 2
- Top Drawer: Left and Right Storage Compartments and center U-shaped tray style storage underneath the sink area
- Bottom Drawer: U-Shaped drawer to accommodate plumbing
- Assembly Type: Cabinet comes full assembled
- Assembly Type: Install Drawer Pulls
- Removable organizer with aluminum laminate liner
- Drawer Boxes: Beech veneer over Marine MDF
- English Dovetail joinery
- Aluminum Laminate Drawer Liners
- Hardware Material/Finish: Lucite and Stainless Steel/Champagne Brass
- Full Extension, Soft Close Glides
- Adjustable levelers
- Vanity Top: Not Included – Optional 3cm Tops available
- Number of Basins: 1
- (included with optional countertop purchase)

#### Dimension

- Width: 35-3/4" (908mm)
- Depth: 23-3/8" (594mm)
- Height: 34-7/8" (884 mm)
- Rough-In: 21" (534mm)

#### Drawer Pulls

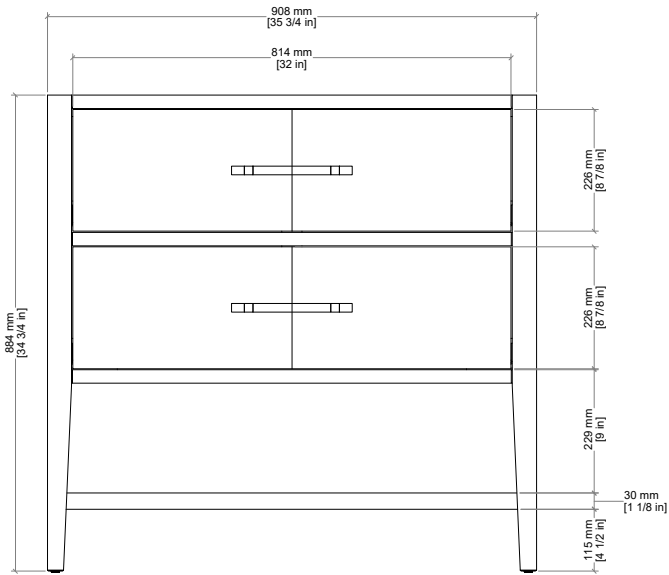


Visit website for warranty and installation information

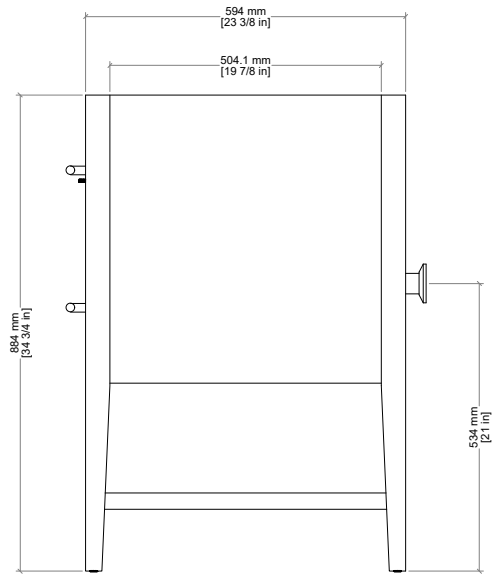
<http://www.jamesmartinvanities.com>

### 36" Olena Single Vanity

D804-V36-LMB



Font View



Side View

All dimensions are nominal

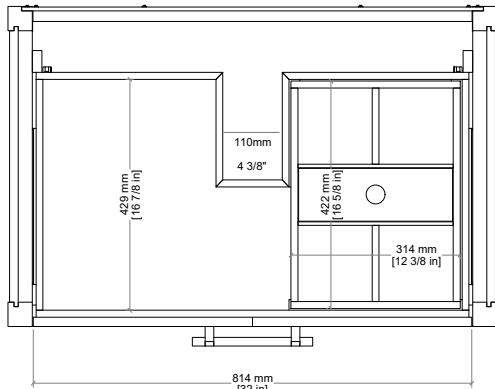
Diagrams are of cabinet only-James Martin Optional Countertops and sinks are not shown

Visit website for warranty and installation information

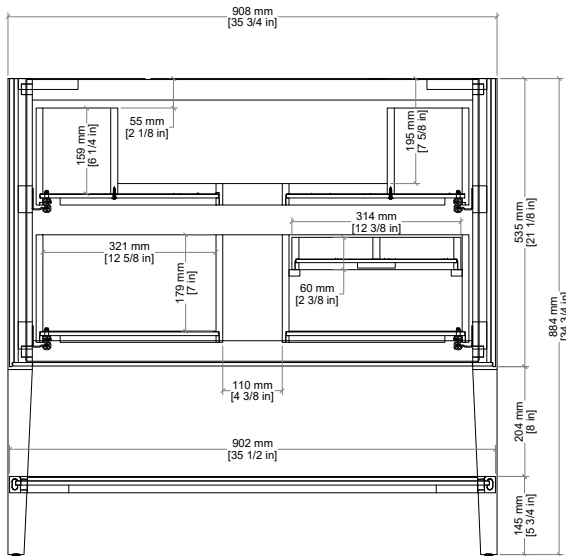
<http://www.jamesmartinvanities.com>

### 36" Olena Single Vanity

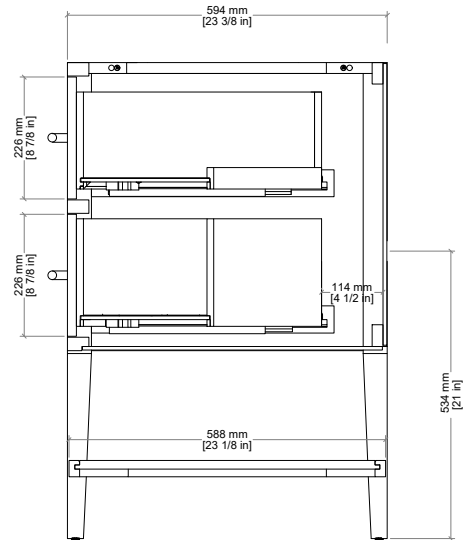
D804-V36-LMB



Top View



Front View



Side View

All dimensions are nominal

Diagrams are of cabinet only-James Martin Optional Countertops and sinks are not shown

Visit website for warranty and installation information

<http://www.jamesmartinvanities.com>



---

## **Ēclos Care and Maintenance**

ĒCLOS materials have been designed to offer exceptional performance and aesthetics, making them the ideal choice for bathroom countertops. However, as with any high-end material, they are not completely unalterable. To ensure its useful life and preserve its beauty, it is important to follow some basic recommendations for use and maintenance.

**Daily Maintenance:** To maintain the appearance and performance of the material, it is recommended to clean stains and residue as soon as possible with a soft cloth, neutral soap and water. Avoid water puddling on the surface.

**Cleaning:** Avoid using cleaning products, aggressive solvents, strong acids, abrasive scouring pads, as they can damage the finish and properties of the material.

Applying hot tap water, along with a soft cloth and a neutral detergent, helps dissolve greasy and stuck-on residue, making it easier to remove without damaging the surface.

**For stubborn stains, follow these guidelines:**

**Water and Lime Stains**

Neutral anti-scale products applied with wet sponge

**Other Stains**

Oxygenated cleaners with a maximum hydrogen peroxide concentration of 5.5% applied with a wet sponge.

### **Impact Resistance Defined**

Although Ēclos is durable, careful use will extend its lifespan. Handle heavy and sharp objects with care near the surface, avoiding sudden impact.

### **Heat Precautions**

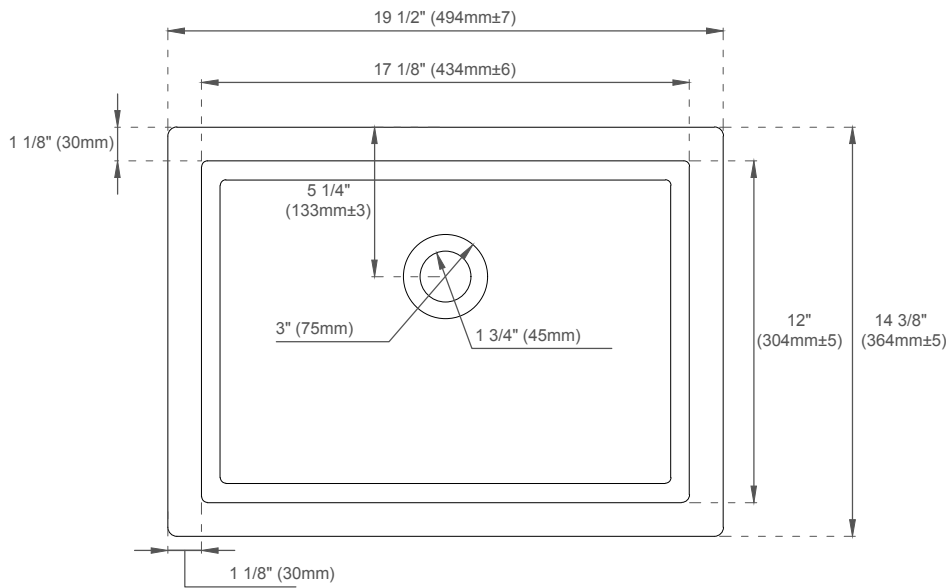
Although Ēclos is designed to withstand high temperatures for short periods of time, it is not recommended that the product be exposed to sustained contact with a heat source, like curling irons. The use of a trivet is recommended in such situations.

### **UV Exposure**

Avoid direct sunlight, as it can visually alter the material over time. To fully enjoy the original design and color of Ēclos, we recommend using LED or fluorescent lighting.

# SNK-RF RECTANGULAR PORCELAIN UNDERMOUNT SINK

**JAMES MARTIN**  
VANITIES



**ASME A112.19.2/CSA B45.1**



## FEATURES:

- Designed to fit with all James Martin Vanities with a 3cm Silestone quartz top
- Sink Material: Porcelain
- Integrated overflow
- Sink shape: Rectangular with straight sides
- Sink ships in a separate carton from top and vanity
- Sink clips and hardware are not included. All mounting hardware ships with the 3cm quartz tops
- Drain included: NO
- Faucet included: NO
- Overflow cover: NO

## EXTERNAL DIMENSIONS:

Length: 19-1/2"  
Width: 14-3/8"  
Height: 6-7/8"

## INTERNAL BASIN DIMENSIONS:

Basin Length: 17-1/8"  
Basin Width: 12"  
Basin Depth: 4-3/8"  
Fits Drain Hole Size: 1-1/2"

**All dimensions are nominal**

Visit website for warranty and installation information  
[www.jamesmartinvanities.com](http://www.jamesmartinvanities.com)

Version: 202301