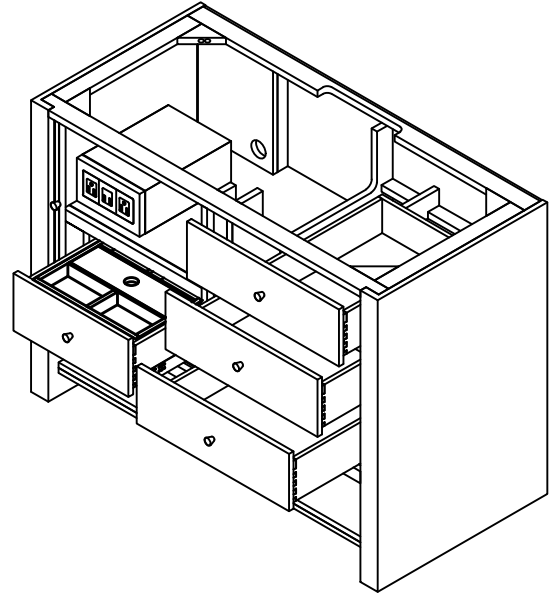
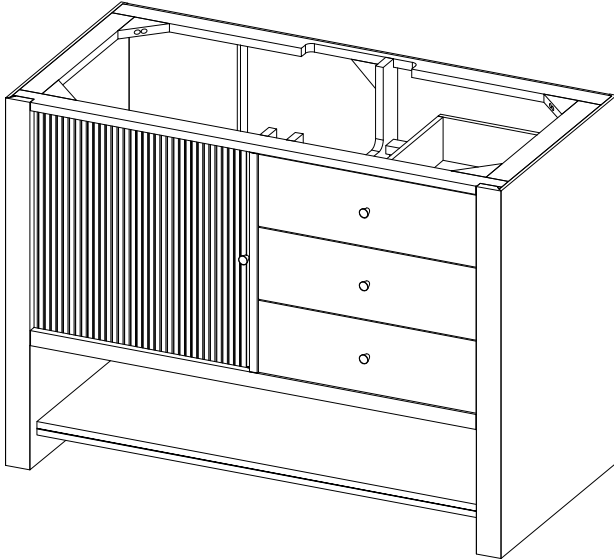


48" Marigot Single Vanity D404-V48-SWO

FREEPOWER COMPATIBLE



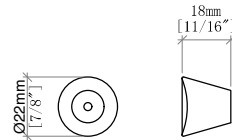
Features and Materials

Solids: White Oak
 Veneer: White Oak, Ash
 Installation Type: Free Standing
 Number of Basins: One, with optional 3 cm top
 Vanity Top: No, Optional 3cm Tops Available with sinks
 Basins included: No
 Overflow: Yes, Front Facing
 Number of Doors: 1 Tambour Style
 Number of Drawers: 4 -Includes 1 internal drawer
 Assembly Type: Installation of optional 3cm top
 Assembly Type: Cabinet comes fully assembled
 Removable organizer with aluminum laminate liner
 Drawer Box Material and Construction: Ash veneer over Marine MDF
 English Dovetail joinery
 Aluminum Laminate Drawer Liners
 Hardware Material/Finish: Zinc/Champagne Brass
 Fits Drain Hole Size: 1 3/4"
 USB/Power Component: Yes(ETL5011080)
 Cord Length: 6'6"
 Full Extension, Soft Close Glides
 European Soft Close Hinges
 Aluminum Laminate Drawer Liners
 Adjustable Levelers

Dimension

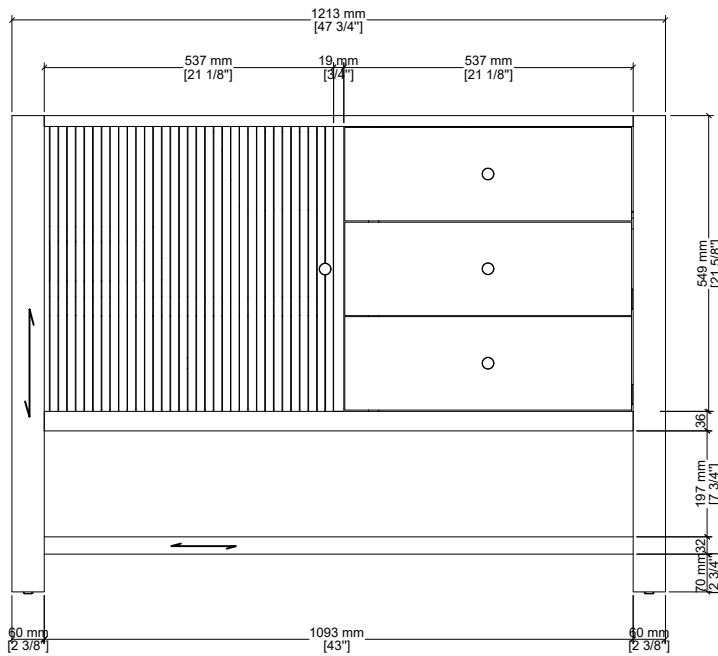
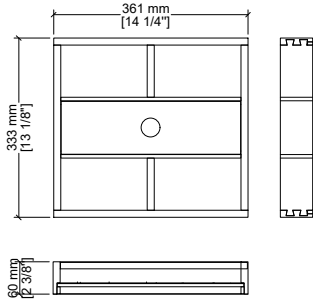
Width: 47-3/4" (1213mm) Depth:
 23-3/8" (594mm) Height:
 34-3/4" (884 mm)
 Rough-In: 21 1/2" (546mm)

Decorative Hardware

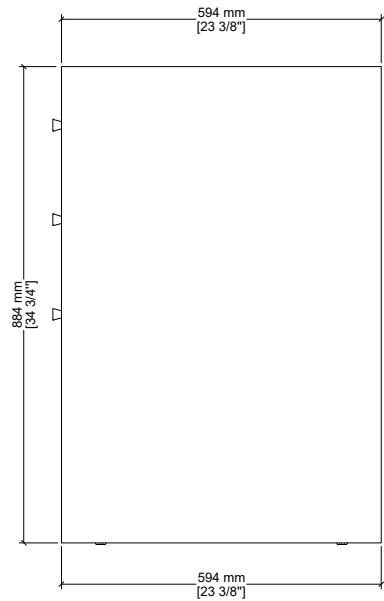


48" Marigot Single Vanity
D404-V48-SWO

Drawer Organizer



Front View



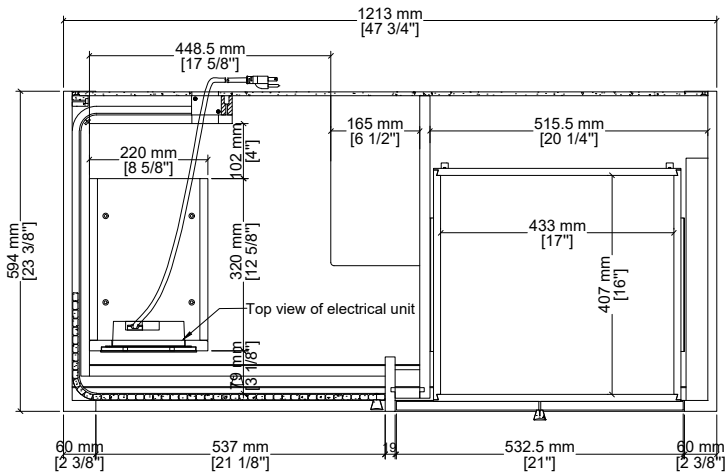
Side View

All dimensions are nominal

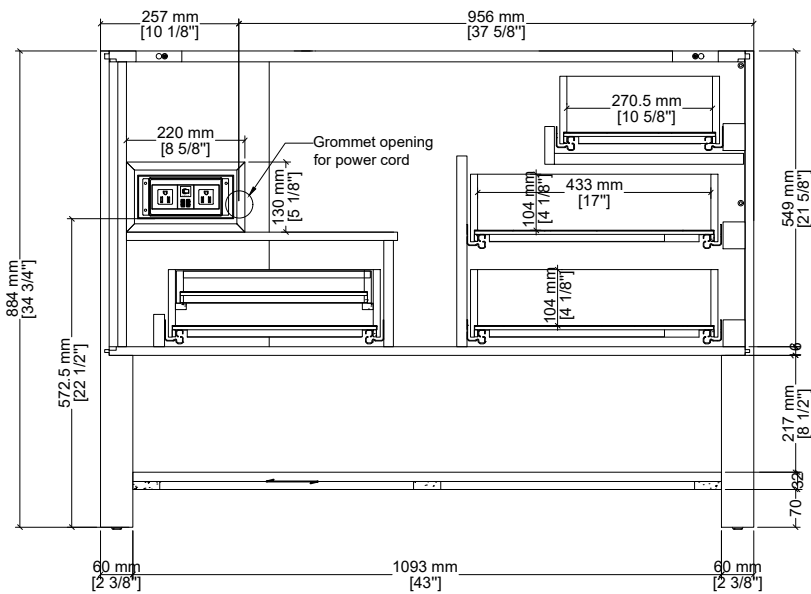
Diagrams are of cabinet only-James Martin Optional Countertops and sinks are not shown

Visit website for warranty and installation information
<http://www.jamesmartinvanities.com>

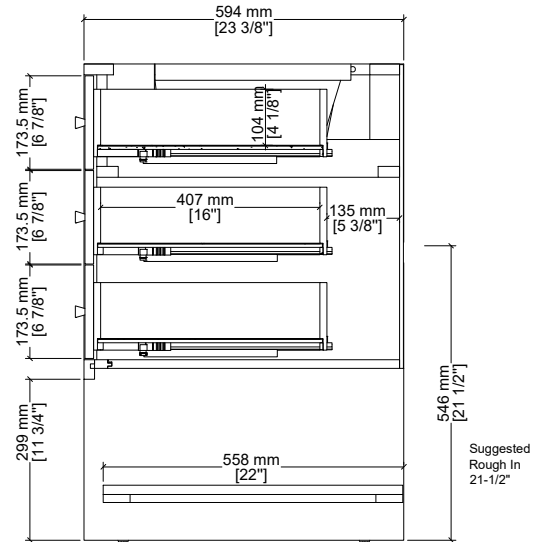
48" Marigot Single Vanity D404-V48-SWO



Top View



Back View



Side View

All dimensions are nominal

Diagrams are of cabinet only-James Martin Optional Countertops and sinks are not shown

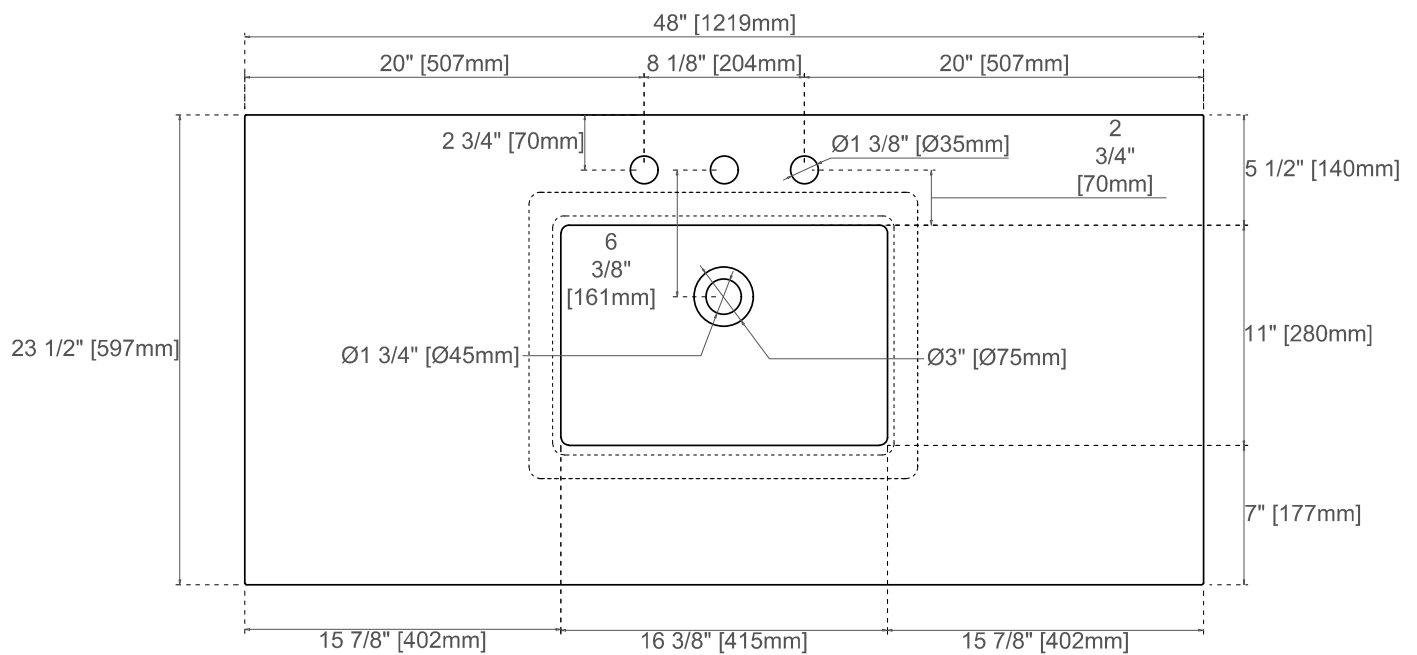
Visit website for warranty and installation information
<http://www.jamesmartinvanities.com>

**48" 3CM 050 SERIES
ĒCLOS®
COUNTERTOPS**

JAMES MARTIN
VANITIES

ĒCLOS with INLAYR Technology

ĒCLOS is the next generation of high-performance mineral surfaces, featuring a layered full-body integrated design and superior heat resistance. Thanks to its INLAYR technology, the production of ĒCLOS products combines minerals and recycled materials with a low-crystalline silica composition, through an advanced process of robotic engineering and integrated decorative techniques, resulting in the first collection with zero crystalline silica in its composition.



All dimensions are nominal

Visit website for warranty and installation information
www.jamesmartinvanities.com

Version: 202511

Ēclos Care and Maintenance

ĒCLOS materials have been designed to offer exceptional performance and aesthetics, making them the ideal choice for bathroom countertops. However, as with any high-end material, they are not completely unalterable. To ensure its useful life and preserve its beauty, it is important to follow some basic recommendations for use and maintenance.

Daily Maintenance: To maintain the appearance and performance of the material, it is recommended to clean stains and residue as soon as possible with a soft cloth, neutral soap and water. Avoid water puddling on the surface.

Cleaning: Avoid using cleaning products, aggressive solvents, strong acids, abrasive scouring pads, as they can damage the finish and properties of the material.

Applying hot tap water, along with a soft cloth and a neutral detergent, helps dissolve greasy and stuck-on residue, making it easier to remove without damaging the surface.

For stubborn stains, follow these guidelines:

Water and Lime Stains

Neutral anti-scale products applied with wet sponge

Other Stains

Oxygenated cleaners with a maximum hydrogen peroxide concentration of 5.5% applied with a wet sponge.

Impact Resistance Defined

Although Ēclos is durable, careful use will extend its lifespan. Handle heavy and sharp objects with care near the surface, avoiding sudden impact.

Heat Precautions

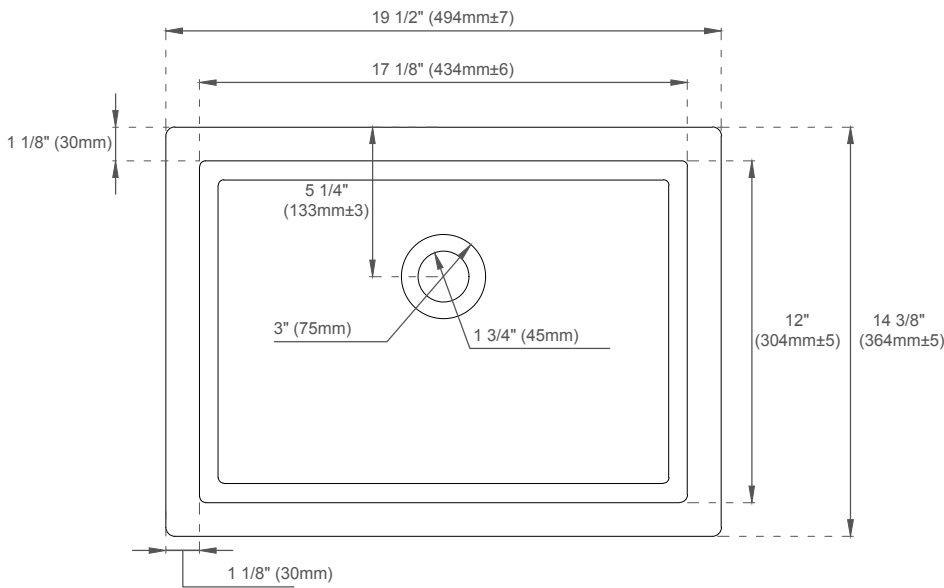
Although Ēclos is designed to withstand high temperatures for short periods of time, it is not recommended that the product be exposed to sustained contact with a heat source, like curling irons. The use of a trivet is recommended in such situations.

UV Exposure

Avoid direct sunlight, as it can visually alter the material over time. To fully enjoy the original design and color of Ēclos, we recommend using LED or fluorescent lighting.

SNK-RF RECTANGULAR PORCELAIN UNDERMOUNT SINK

JAMES MARTIN
VANITIES



ASME A112.19.2/CSA B45.1



FEATURES:

- Designed to fit with all James Martin Vanities with a 3cm Silestone quartz top
- Sink Material: Porcelain
- Integrated overflow
- Sink shape: Rectangular with straight sides
- Sink ships in a separate carton from top and vanity
- Sink clips and hardware are not included. All mounting hardware ships with the 3cm quartz tops
- Drain included: NO
- Faucet included: NO
- Overflow cover: NO

EXTERNAL DIMENSIONS:

Length: 19-1/2"
Width: 14-3/8"
Height: 6-7/8"

INTERNAL BASIN DIMENSIONS:

Basin Length: 17-1/8"
Basin Width: 12"
Basin Depth: 4-3/8"
Fits Drain Hole Size: 1-1/2"

All dimensions are nominal

Visit website for warranty and installation information
www.jamesmartinvanities.com

Version: 202301