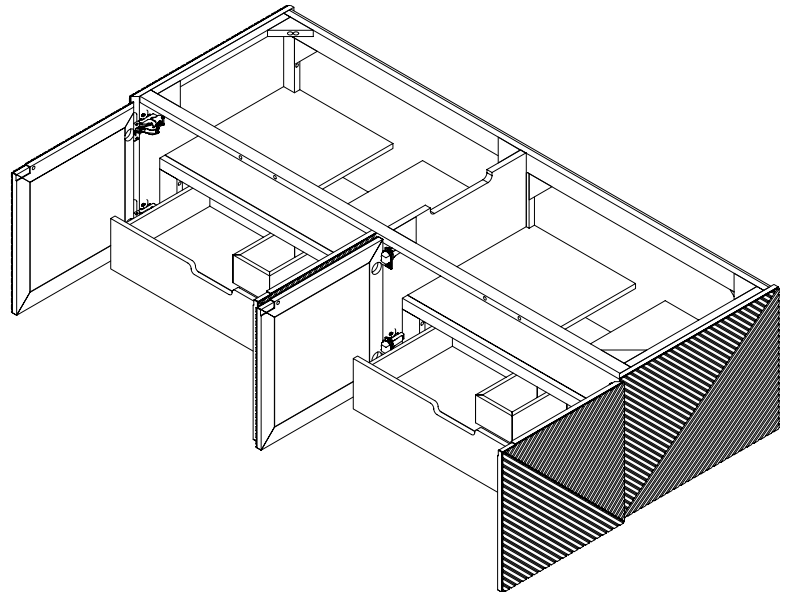
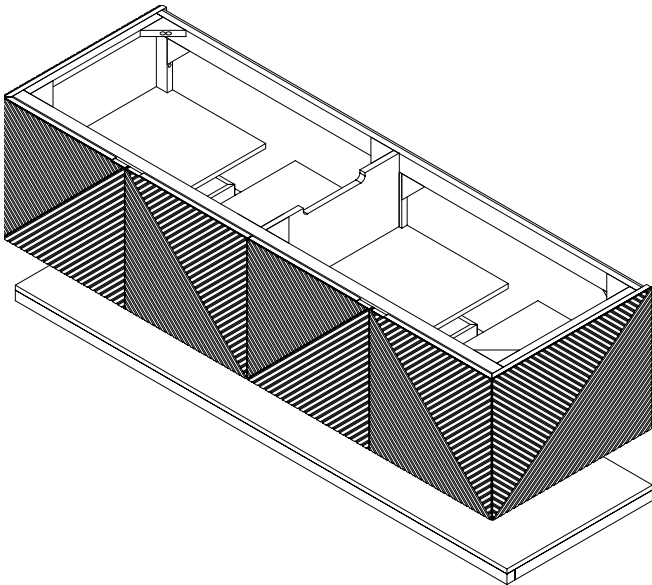


72" MARCELLO DOUBLE VANITY

D200-V72-M-CSN

FREEPOWER COMPATIBLE



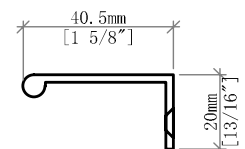
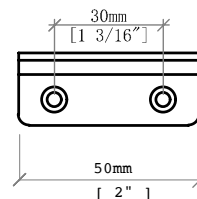
Features and Materials

- Solids: Poplar
- Veneers: Acacia
- Panels: Marine MDF
- Installation Type: Wall Mount
- Number of Doors: 4
- Number of Drawers: 2 (internal)
- Shelves: 1 (fixed) (internal)
- Shelf: 1 floating
- Assembly Required: No
- Drawer Boxes: Acacia veneers over Marine MDF
- English Dovetail joinery
- Aluminum Laminate Drawer Liners
- Hardware Finish: Champagne Brass
- Full Extension, Soft Close Glides
- European Soft Close Hinges
- Vanity Top: Optional 3cm Tops available
- Number of Basins: 1
(included with optional countertop purchase)

Dimension

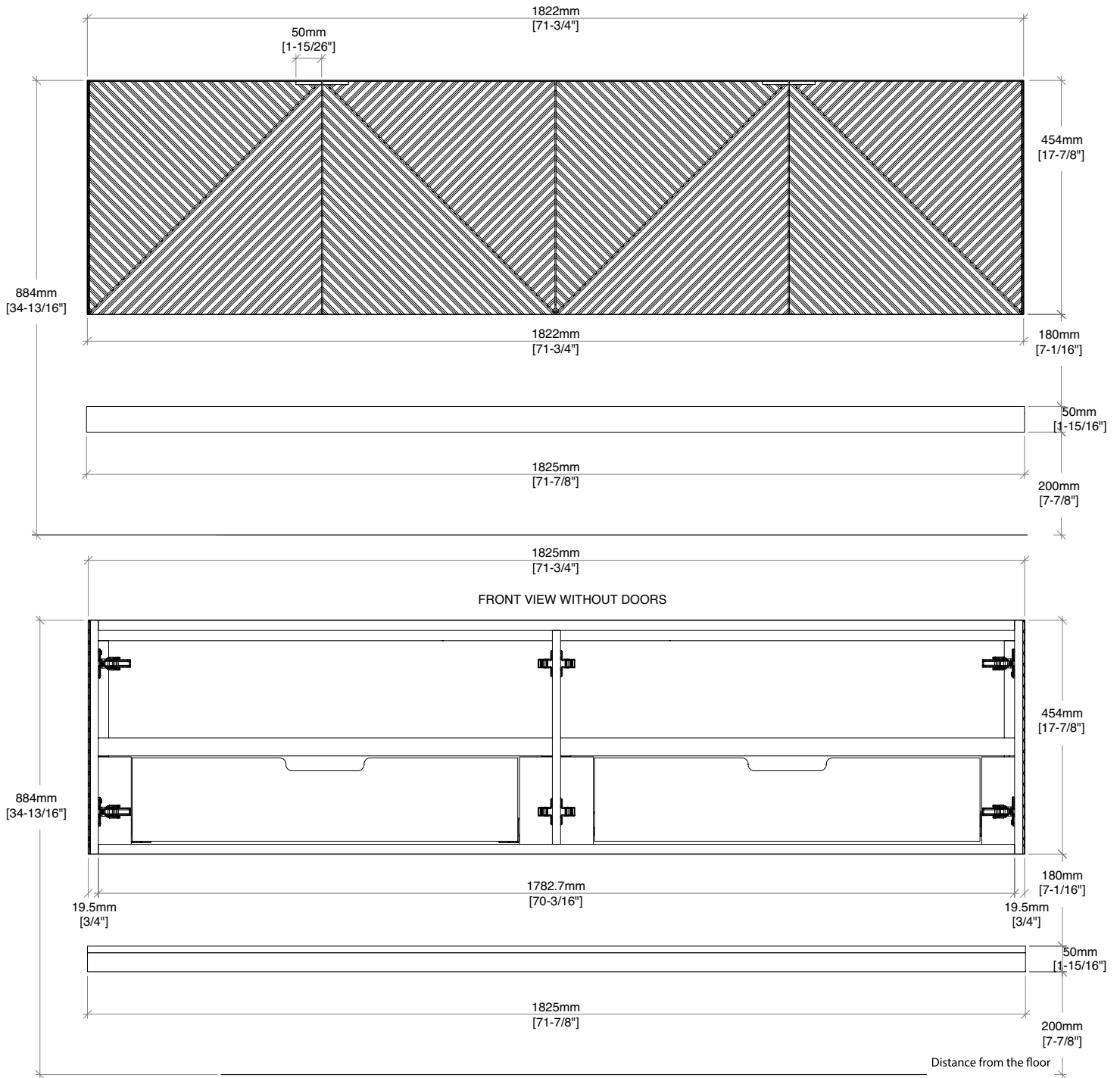
- Cabinet Width: 71-3/4" (1822mm)
- Cabinet Depth: 23-3/8" (593)
- Cabinet Height: 17-15/16" (455mm)
- Rough-in: 23-1/8" (587)
- Requires a compact, bottle-style trap
- Shelf Width: 71-7/8" (1825mm)
- Shelf Depth: 21-1/4" (540 mm)
- Shelf Height: 1-15/16" (50mm)

Drawer Edge Pulls



72" MARCELLO DOUBLE VANITY

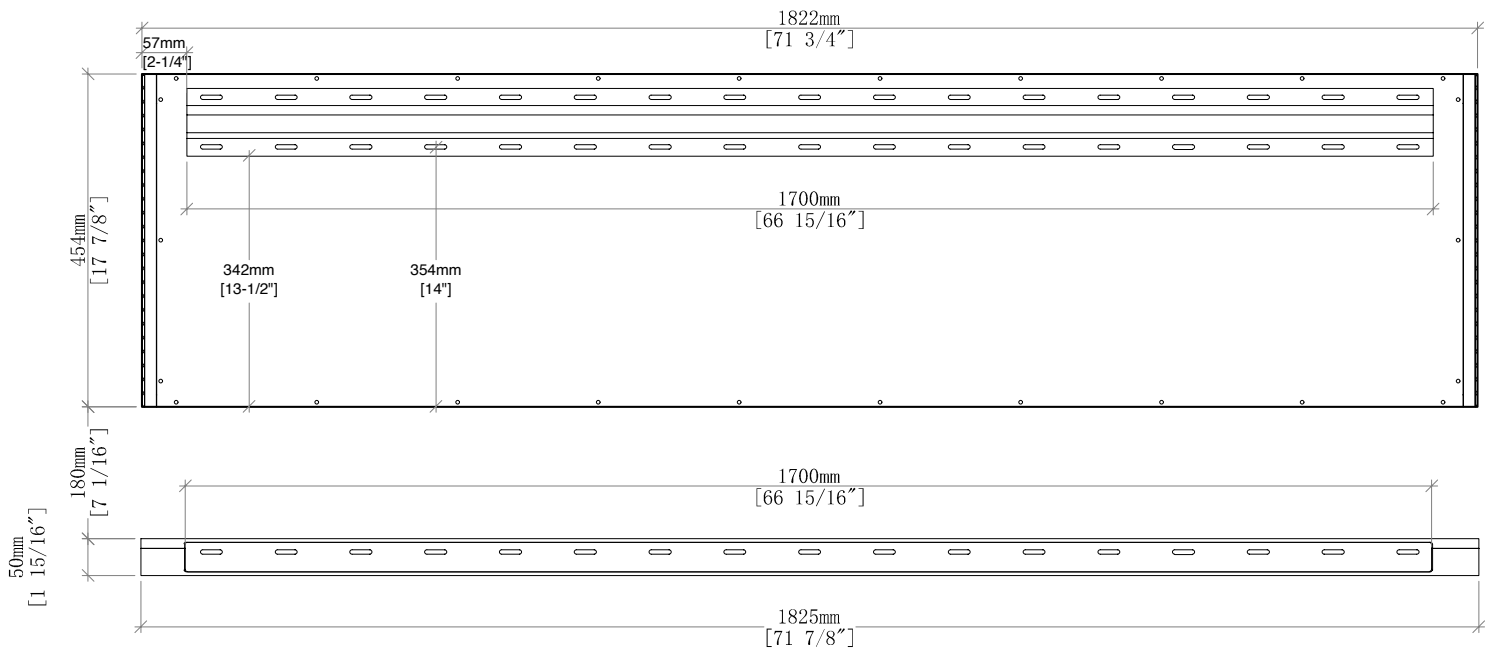
D200-V72-M-CSN



All dimensions are nominal
 Diagrams are of cabinet only—James Martin Optional Countertops and sinks are not shown

Visit website for warranty and installation information
www.jamesmartinvanities.com

72" MARCELLO DOUBLE VANITY
D200-V72-M-CSN



Back view

All dimensions are nominal
 Diagrams are of cabinet only—James Martin Optional Countertops and sinks are not shown

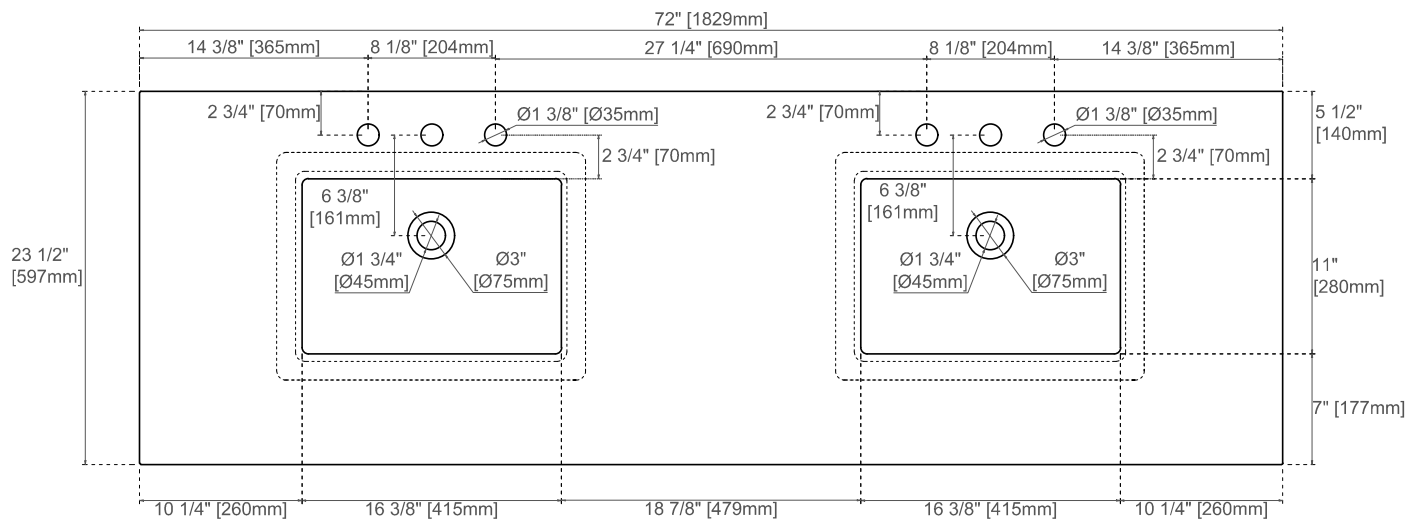
Visit website for warranty and installation information
www.jamesmartinvanities.com

72" 3CM 050 SERIES
ĒCLOS®
COUNTERTOPS



ĒCLOS with INLAYR Technology

ĒCLOS is the next generation of high-performance mineral surfaces, featuring a layered full-body integrated design and superior heat resistance. Thanks to its INLAYR technology, the production of ĒCLOS products combines minerals and recycled materials with a low-crystalline silica composition, through an advanced process of robotic engineering and integrated decorative techniques, resulting in the first collection with zero crystalline silica in its composition.



All dimensions are nominal

Visit website for warranty and installation information
www.jamesmartinvanities.com

Version: 202511

Ēclos Care and Maintenance

ĒCLOS materials have been designed to offer exceptional performance and aesthetics, making them the ideal choice for bathroom countertops. However, as with any high-end material, they are not completely unalterable. To ensure its useful life and preserve its beauty, it is important to follow some basic recommendations for use and maintenance.

Daily Maintenance: To maintain the appearance and performance of the material, it is recommended to clean stains and residue as soon as possible with a soft cloth, neutral soap and water. Avoid water puddling on the surface.

Cleaning: Avoid using cleaning products, aggressive solvents, strong acids, abrasive scouring pads, as they can damage the finish and properties of the material.

Applying hot tap water, along with a soft cloth and a neutral detergent, helps dissolve greasy and stuck-on residue, making it easier to remove without damaging the surface.

For stubborn stains, follow these guidelines:

Water and Lime Stains

Neutral anti-scale products applied with wet sponge

Other Stains

Oxygenated cleaners with a maximum hydrogen peroxide concentration of 5.5% applied with a wet sponge.

Impact Resistance Defined

Although Ēclos is durable, careful use will extend its lifespan. Handle heavy and sharp objects with care near the surface, avoiding sudden impact.

Heat Precautions

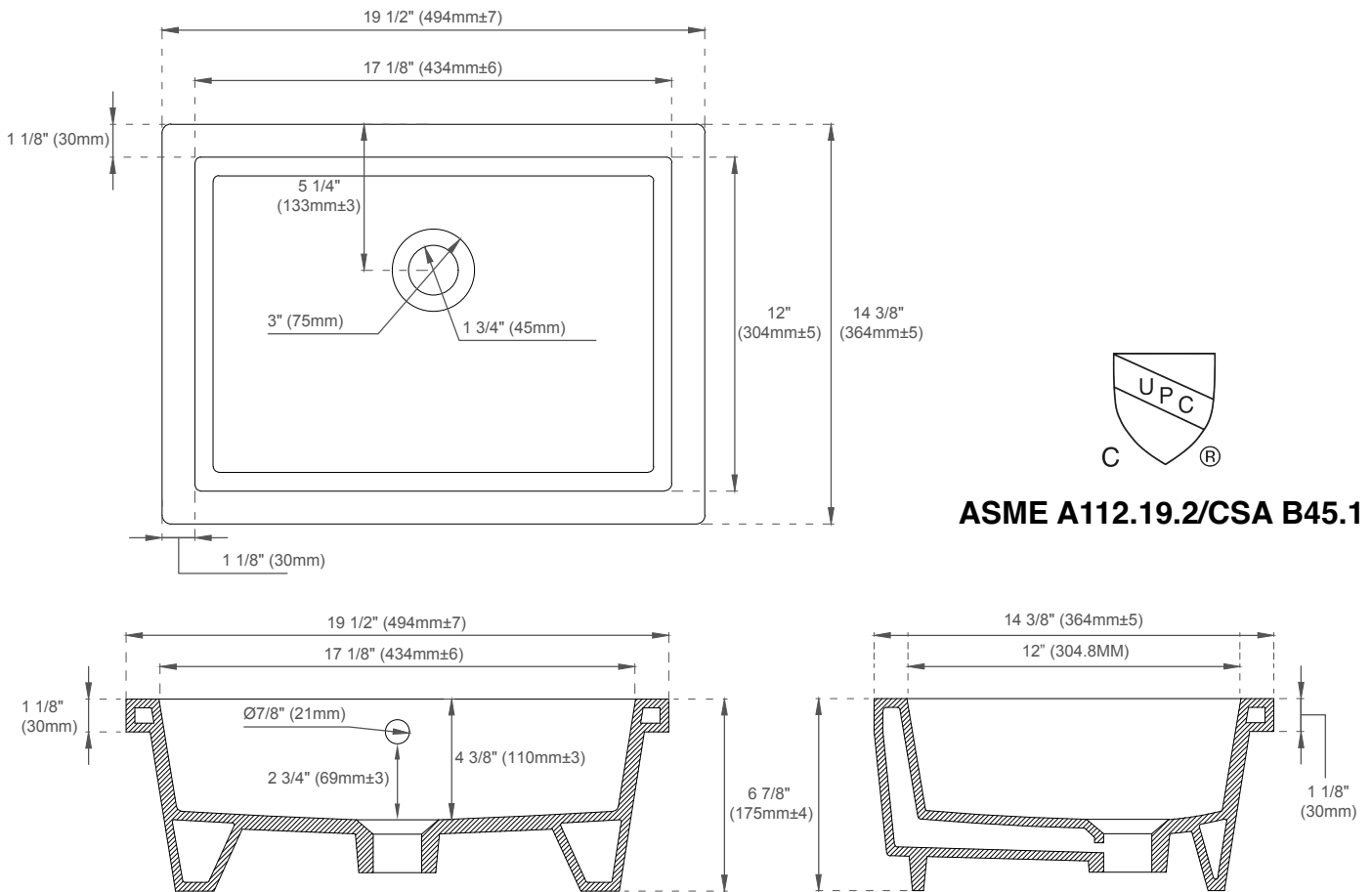
Although Ēclos is designed to withstand high temperatures for short periods of time, it is not recommended that the product be exposed to sustained contact with a heat source, like curling irons. The use of a trivet is recommended in such situations.

UV Exposure

Avoid direct sunlight, as it can visually alter the material over time. To fully enjoy the original design and color of Ēclos, we recommend using LED or fluorescent lighting.

SNK-RF RECTANGULAR PORCELAIN UNDERMOUNT SINK

JAMES MARTIN
VANITIES



FEATURES:

- Designed to fit with all James Martin Vanities with a 3cm Silestone quartz top
- Sink Material: Porcelain
- Integrated overflow
- Sink shape: Rectangular with straight sides
- Sink ships in a separate carton from top and vanity
- Sink clips and hardware are not included. All mounting hardware ships with the 3cm quartz tops
- Drain included: NO
- Faucet included: NO
- Overflow cover: NO

EXTERNAL DIMENSIONS:

Length: 19-1/2"
Width: 14-3/8"
Height: 6-7/8"

INTERNAL BASIN DIMENSIONS:

Basin Length: 17-1/8"
Basin Width: 12"
Basin Depth: 4-3/8"
Fits Drain Hole Size: 1-1/2"

All dimensions are nominal

Visit website for warranty and installation information
www.jamesmartinvanities.com

Version: 202301