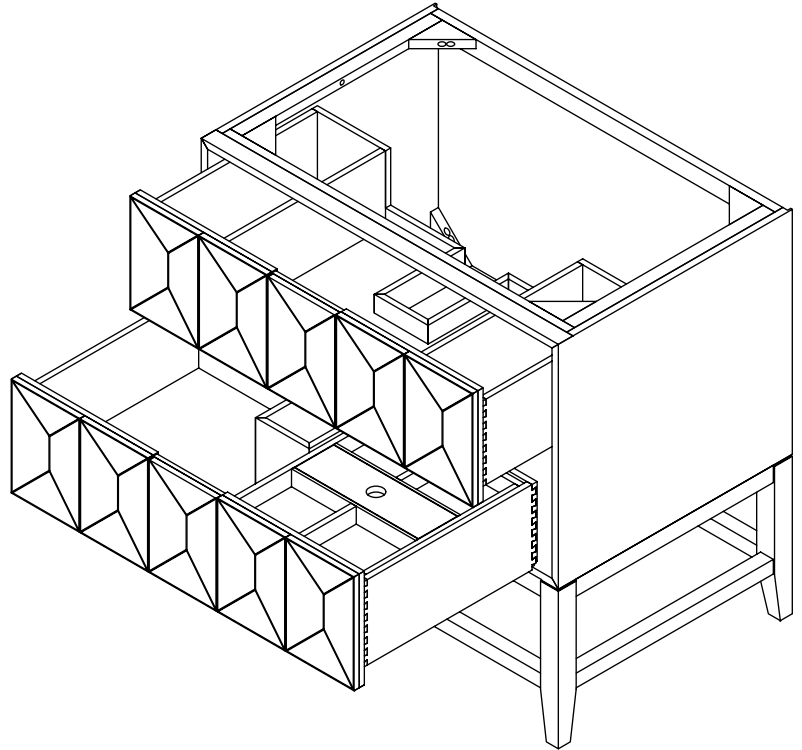
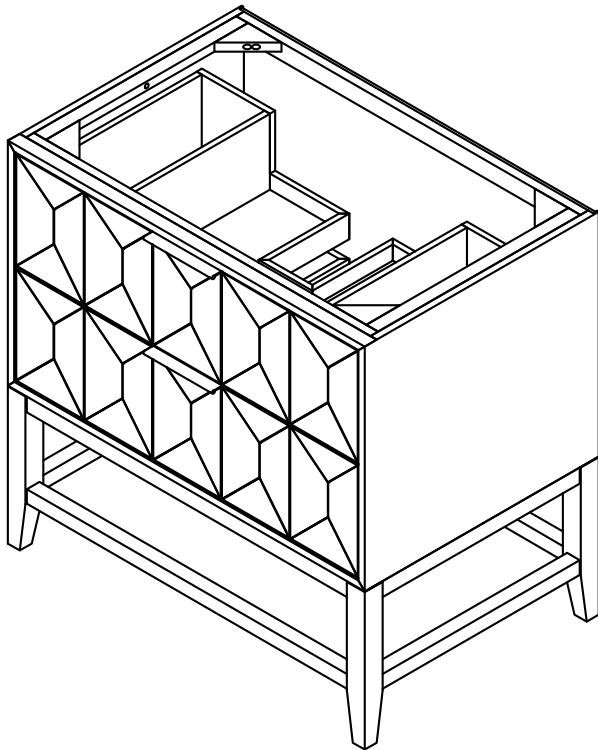


### 36" Emmeline Single Vanity

D100-V36-PBO

D100-V36-PST



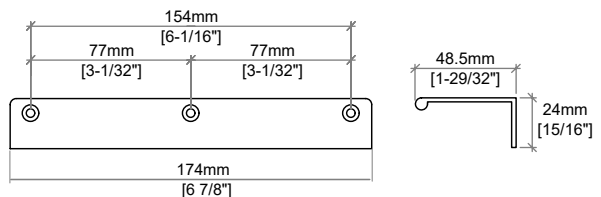
#### Details and Features

- Solids: Ash (PBO), Beech (PST)
- Veneers: Ash (PBO), Beech (PST)
- Panels: Marine MDF
- Installation Type: Freestanding
- Number of Drawers: 2
- Vanity Top Included: No, Optional 3cm Tops available with sinks
- Number of Basins: One, with Optional 3cm top
- Overflow: Front Facing
- Fits Drain Hole Size: 1-3/4"
- Drawer Box Material and Construction: Ash over Marine MDF (PBO), Beech over Marine MDF (PST)
- English Dovetail Joinery
- Hardware Material and Finish: Stainless Steel in Champagne Brass
- Removable Drawer Organizer with Aluminum Liner
- Full Extension, Soft Close Glides
- Aluminum Laminate Drawer liners
- Adjustable Levelers

#### Dimensions

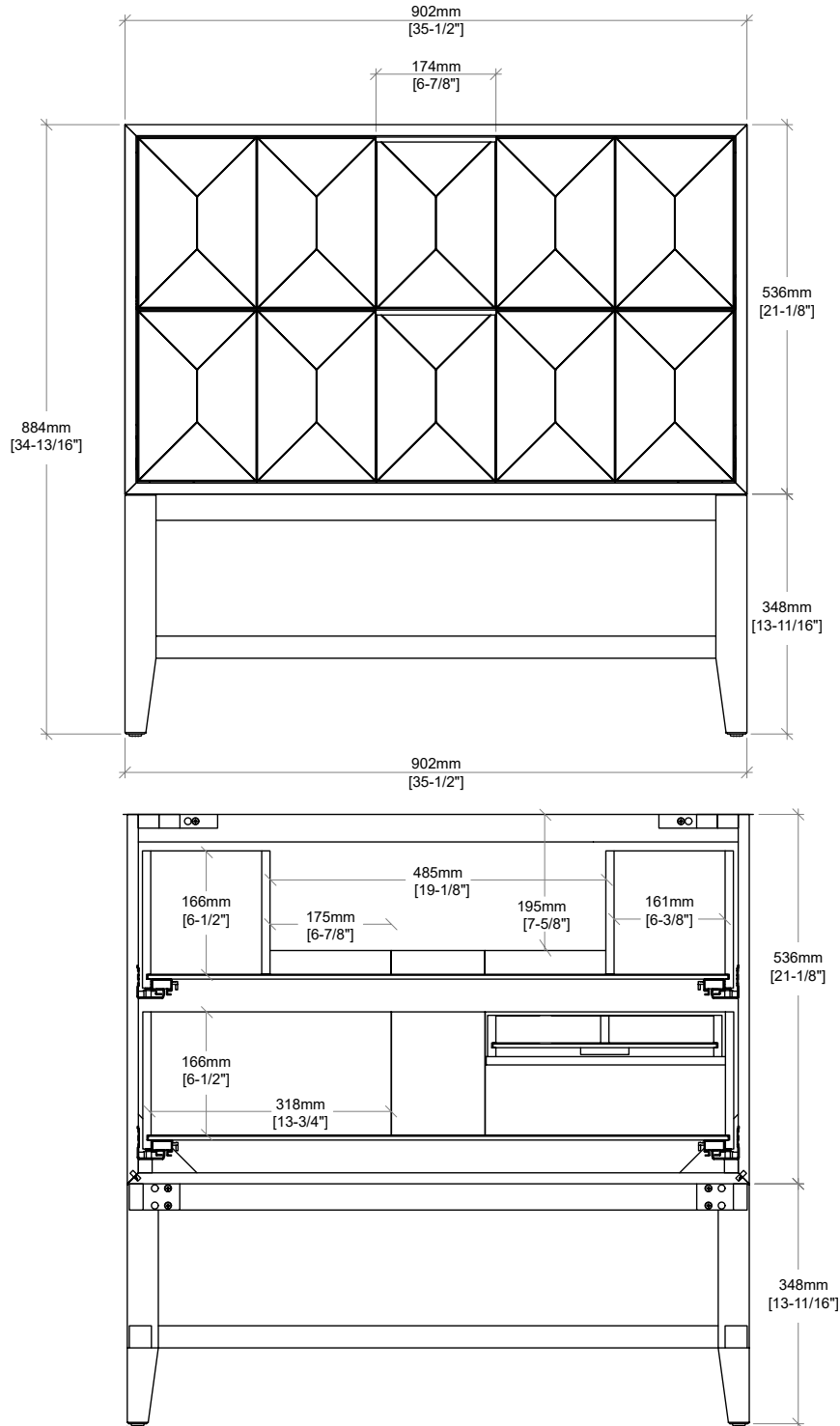
- Width: 35-1/2" (902mm)
- Depth: 23-1/4" (591mm)
- Height: 34-7/8" (884 mm)
- Rough-In: 21" (532mm)

#### Drawer Edge Pulls



### 36" Emmeline Single Vanity

D100-V36-PBO  
D100-V36-PST

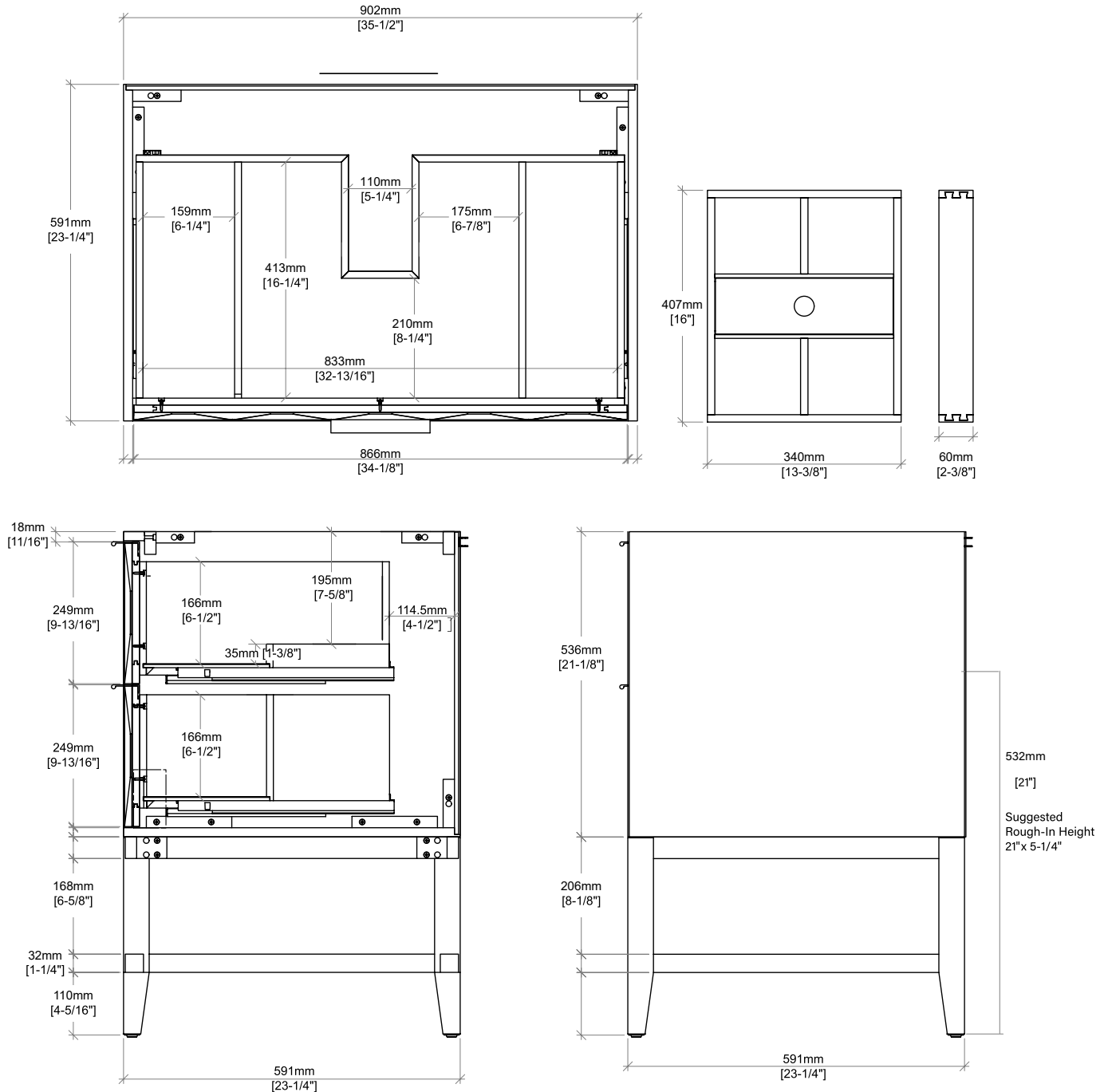


All dimensions and specifications are nominal and may vary. Use actual products for accuracy in critical situations. Diagrams are of cabinets only – James Martin Optional Countertops and sinks are not shown.

### 36" Emmeline Single Vanity

D100-V36-PBO

D100-V36-PST



Side View

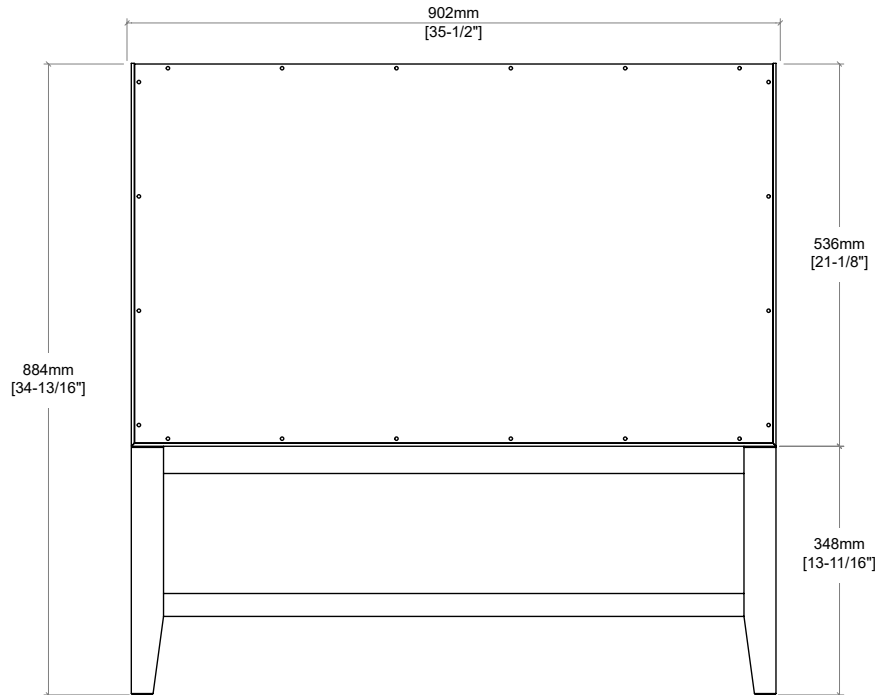
All dimensions and specifications are nominal and may vary. Use actual products for accuracy in critical situations. Diagrams are of cabinets only – James Martin Optional Countertops and sinks are not shown.

## 36" Emmeline Single Vanity

D100-V36-PBO

D100-V36-PST

---



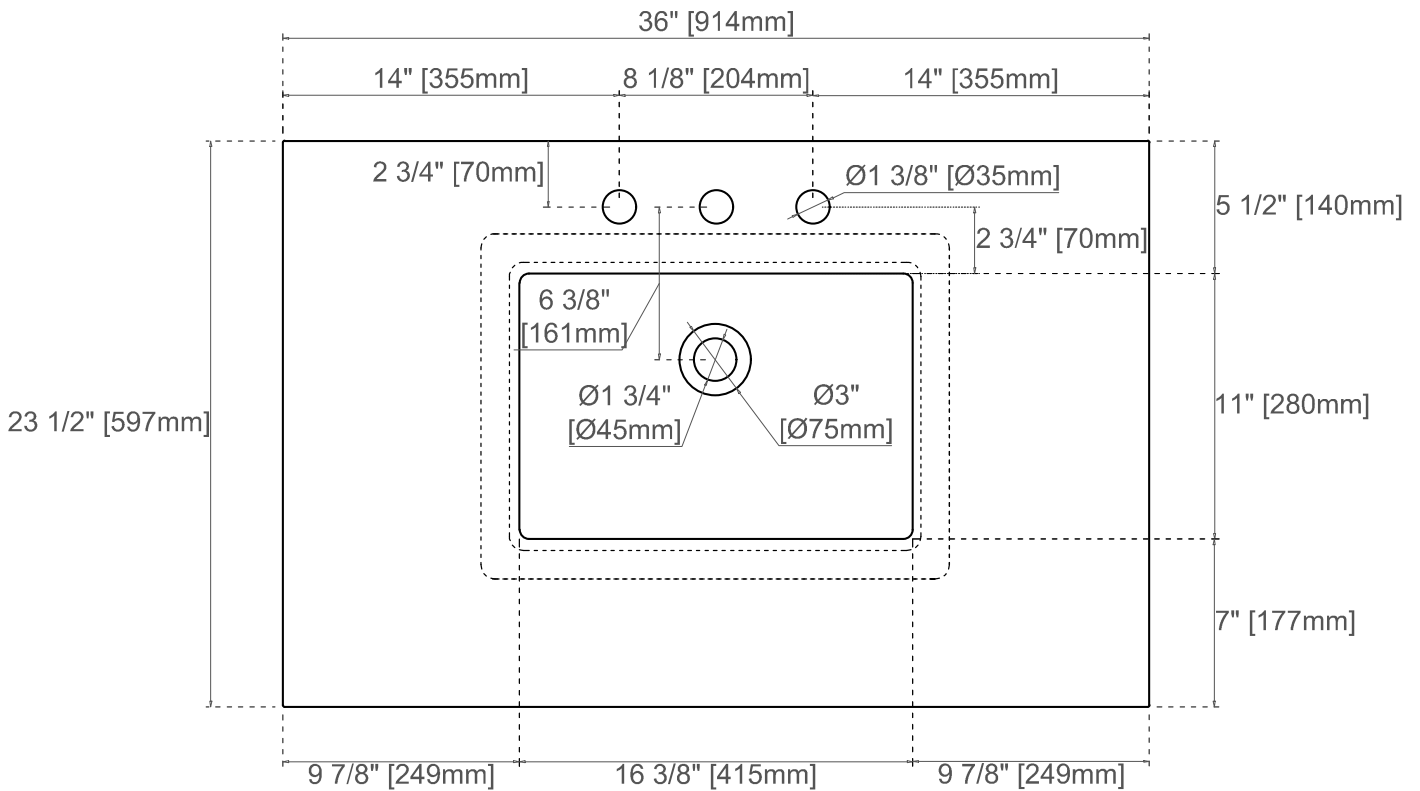
All dimensions and specifications are nominal and may vary. Use actual products for accuracy in critical situations.  
Diagrams are of cabinets only – James Martin Optional Countertops and sinks are not shown.

**36" 3CM 050 SERIES**  
**ĒCLOS®**  
**COUNTERTOPS**

**JAMES MARTIN**  
**VANITIES**

**ĒCLOS with INLAYR Technology**

ĒCLOS is the next generation of high-performance mineral surfaces, featuring a layered full-body integrated design and superior heat resistance. Thanks to its INLAYR technology, the production of ĒCLOS products combines minerals and recycled materials with a low-crystalline silica composition, through an advanced process of robotic engineering and integrated decorative techniques, resulting in the first collection with zero crystalline silica in its composition.



**All dimensions are nominal**

Visit website for warranty and installation information  
[www.jamesmartinvanities.com](http://www.jamesmartinvanities.com)

Version: 202511

---

## **Ēclos Care and Maintenance**

ĒCLOS materials have been designed to offer exceptional performance and aesthetics, making them the ideal choice for bathroom countertops. However, as with any high-end material, they are not completely unalterable. To ensure its useful life and preserve its beauty, it is important to follow some basic recommendations for use and maintenance.

**Daily Maintenance:** To maintain the appearance and performance of the material, it is recommended to clean stains and residue as soon as possible with a soft cloth, neutral soap and water. Avoid water puddling on the surface.

**Cleaning:** Avoid using cleaning products, aggressive solvents, strong acids, abrasive scouring pads, as they can damage the finish and properties of the material.

Applying hot tap water, along with a soft cloth and a neutral detergent, helps dissolve greasy and stuck-on residue, making it easier to remove without damaging the surface.

**For stubborn stains, follow these guidelines:**

**Water and Lime Stains**

Neutral anti-scale products applied with wet sponge

**Other Stains**

Oxygenated cleaners with a maximum hydrogen peroxide concentration of 5.5% applied with a wet sponge.

### **Impact Resistance Defined**

Although Ēclos is durable, careful use will extend its lifespan. Handle heavy and sharp objects with care near the surface, avoiding sudden impact.

### **Heat Precautions**

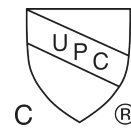
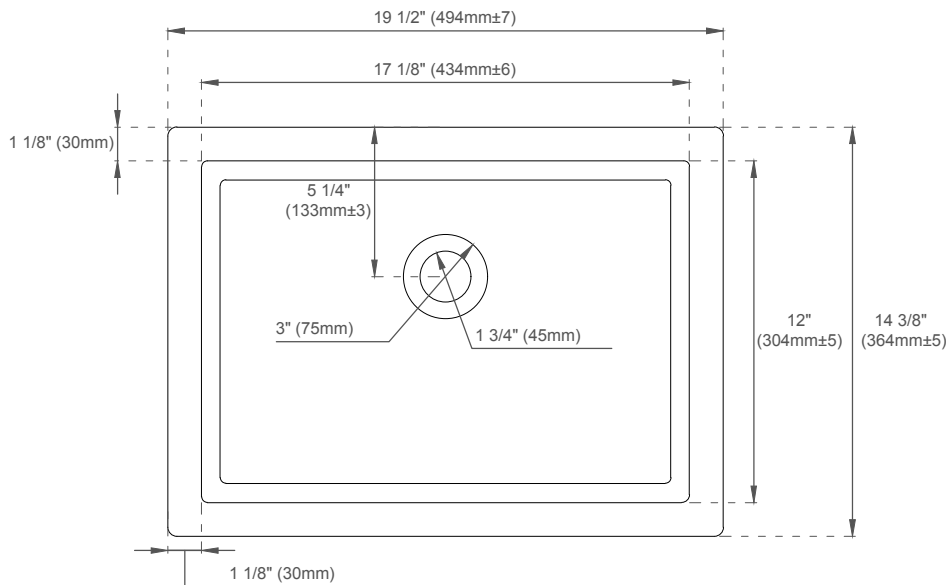
Although Ēclos is designed to withstand high temperatures for short periods of time, it is not recommended that the product be exposed to sustained contact with a heat source, like curling irons. The use of a trivet is recommended in such situations.

### **UV Exposure**

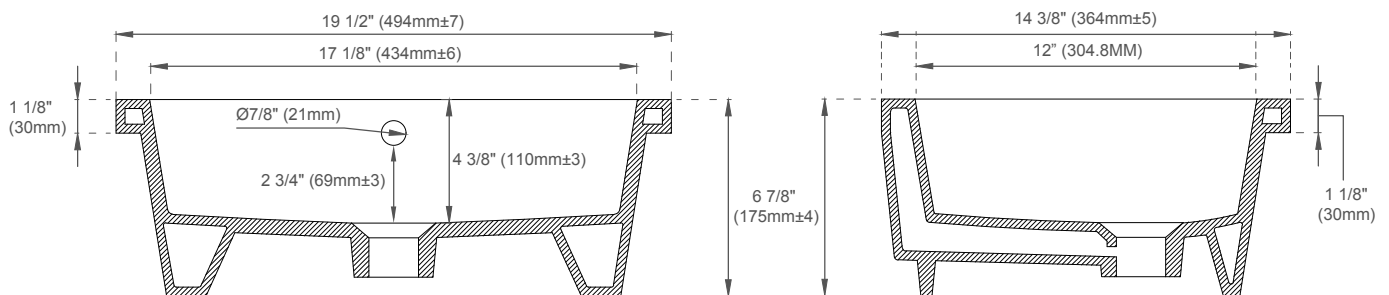
Avoid direct sunlight, as it can visually alter the material over time. To fully enjoy the original design and color of Ēclos, we recommend using LED or fluorescent lighting.

# SNK-RF RECTANGULAR PORCELAIN UNDERMOUNT SINK

**JAMES MARTIN**  
VANITIES



**ASME A112.19.2/CSA B45.1**



## FEATURES:

- Designed to fit with all James Martin Vanities with a 3cm Silestone quartz top
- Sink Material: Porcelain
- Integrated overflow
- Sink shape: Rectangular with straight sides
- Sink ships in a separate carton from top and vanity
- Sink clips and hardware are not included. All mounting hardware ships with the 3cm quartz tops
- Drain included: NO
- Faucet included: NO
- Overflow cover: NO

## EXTERNAL DIMENSIONS:

Length: 19-1/2"  
Width: 14-3/8"  
Height: 6-7/8"

## INTERNAL BASIN DIMENSIONS:

Basin Length: 17-1/8"  
Basin Width: 12"  
Basin Depth: 4-3/8"  
Fits Drain Hole Size: 1-1/2"

**All dimensions are nominal**

Visit website for warranty and installation information  
[www.jamesmartinvanities.com](http://www.jamesmartinvanities.com)

Version: 202301