

48" CHICAGO VANITY

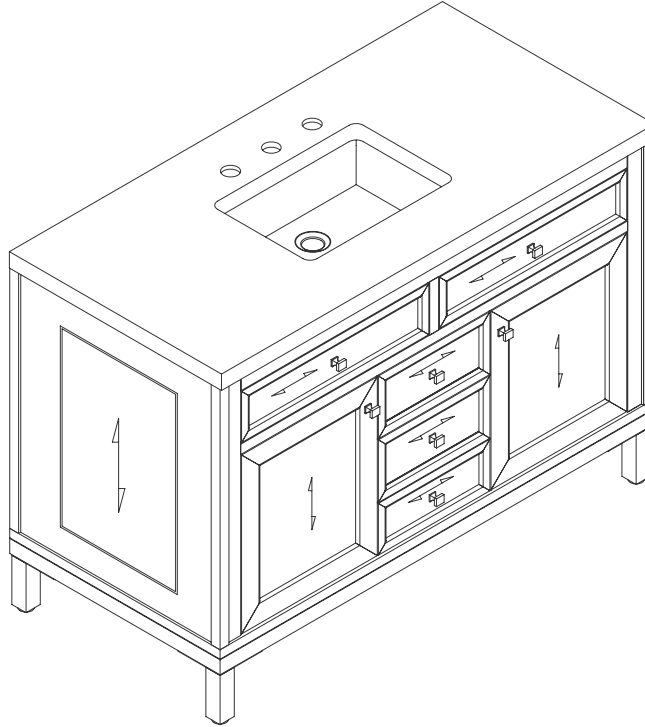
503-V48-M-GW

503-V48-M-SC

503-V48-M-WLW

JAMES MARTIN
VANITIES

FREEPOWER COMPATIBLE



Features and Materials

Solids: Poplar

Veneers: Poplar

Panels: Plywood

Installation Type: Floor Standing with Legs or Wall Mounted

Number of Basins: One, with Optional 3cm Top

Vanity Top Included: No, Optional 3cm Tops Available with Sinks

Overflow: Yes, Front Facing

Number of Doors: Two

Number of Drawers: Four

Assembly Type: Installation of Legs and Optional 3cm Top

Assembly Type: Remove Legs to Wall Hang (hardware included)

Drawer Box Material and Construction: 12mm Plywood/English

Dovetail Joinery

Hardware Material and Finish: GW/SC - Antimony in

Champagne Brass; WLW - Antimony in Satin Nickel

Fits Drain Hole Size: 1 3/4"

Full Extension, Soft Close Glides

European Soft Close Hinges

Aluminum Laminate Drawer Liners

Adjustable Levelers

Dimension

Width: 47-7/8"

Depth: 23-1/4"

Height: 32-3/8"

Rough-In Height: 21"

Visit website for warranty and installation information

www.jamesmartinvanities.com

48" CHICAGO VANITY

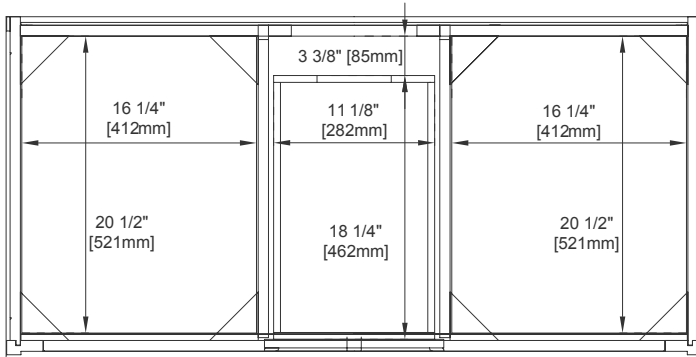
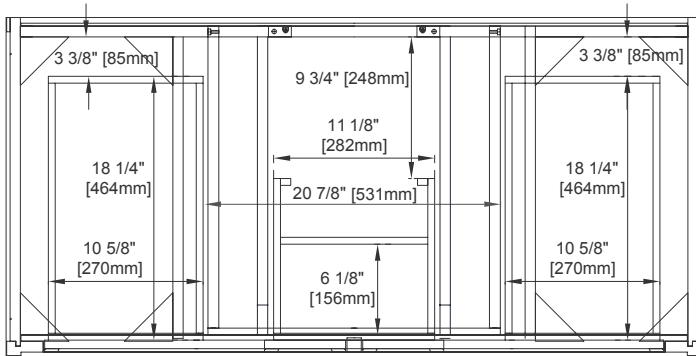
503-V48-M-GW

503-V48-M-SC

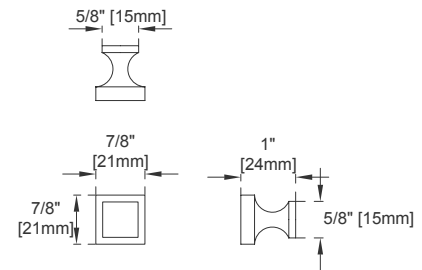
503-V48-M-WLW

JAMES MARTIN

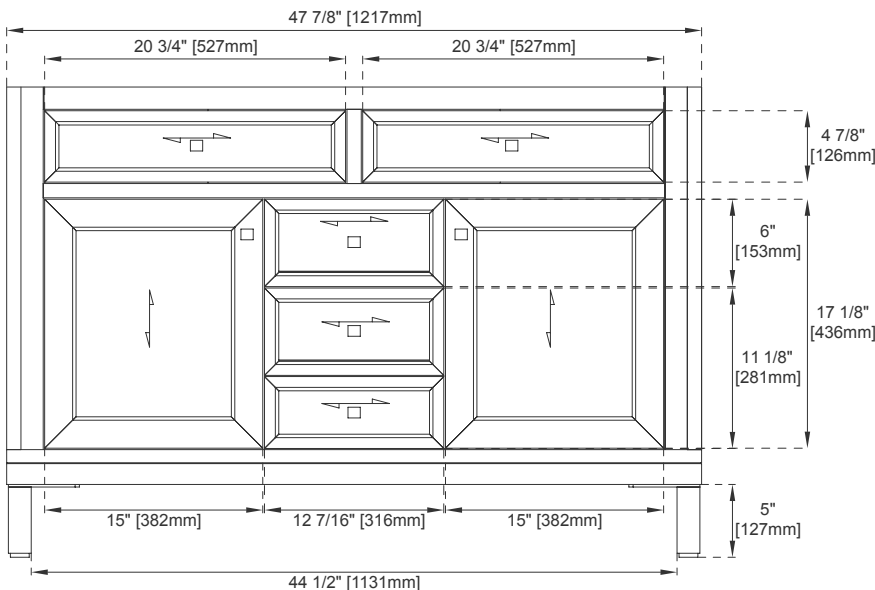
VANITIES



Top View



Knob



Front View

All dimensions are nominal

Diagrams are of cabinet only—James Martin Optional Countertops and sinks are not shown

Visit website for warranty and installation information

www.jamesmartinvanities.com

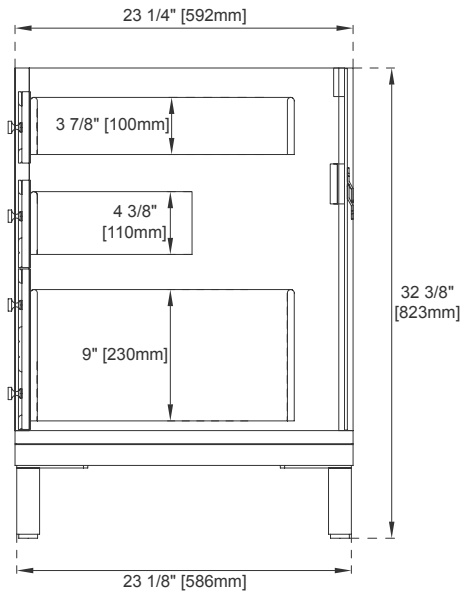
48" CHICAGO VANITY

503-V48-M-GW

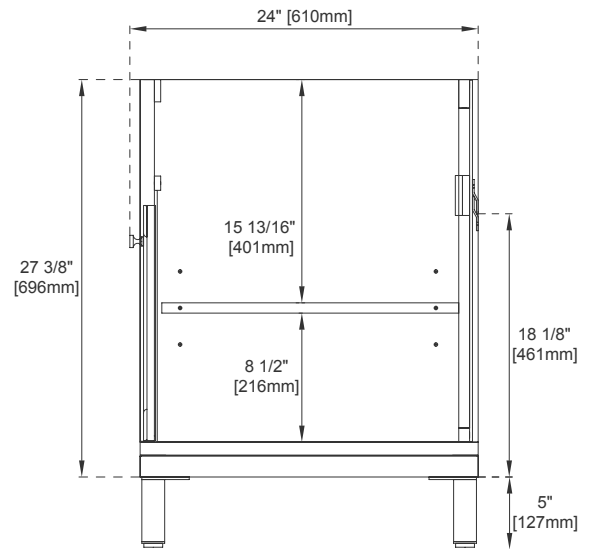
503-V48-M-SC

503-V48-M-WLW

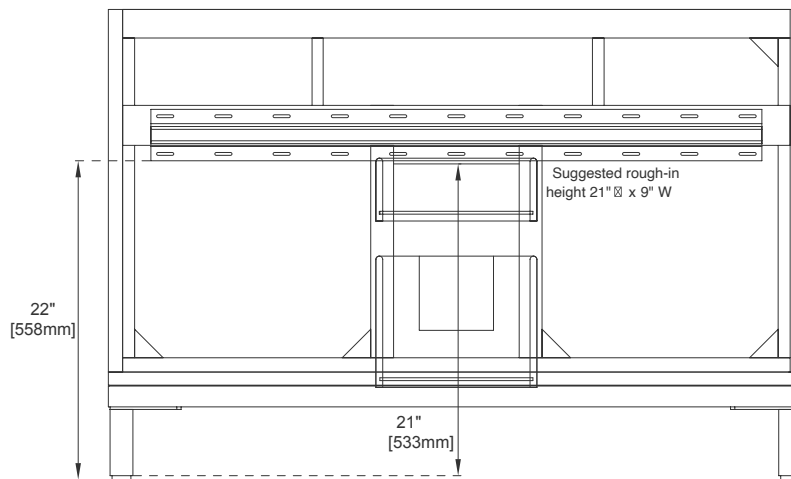
JAMES MARTIN VANITIES



Side View 1



Side View 2



Back View

All dimensions are nominal
Diagrams are of cabinet only—James Martin Optional Countertops and sinks are not shown

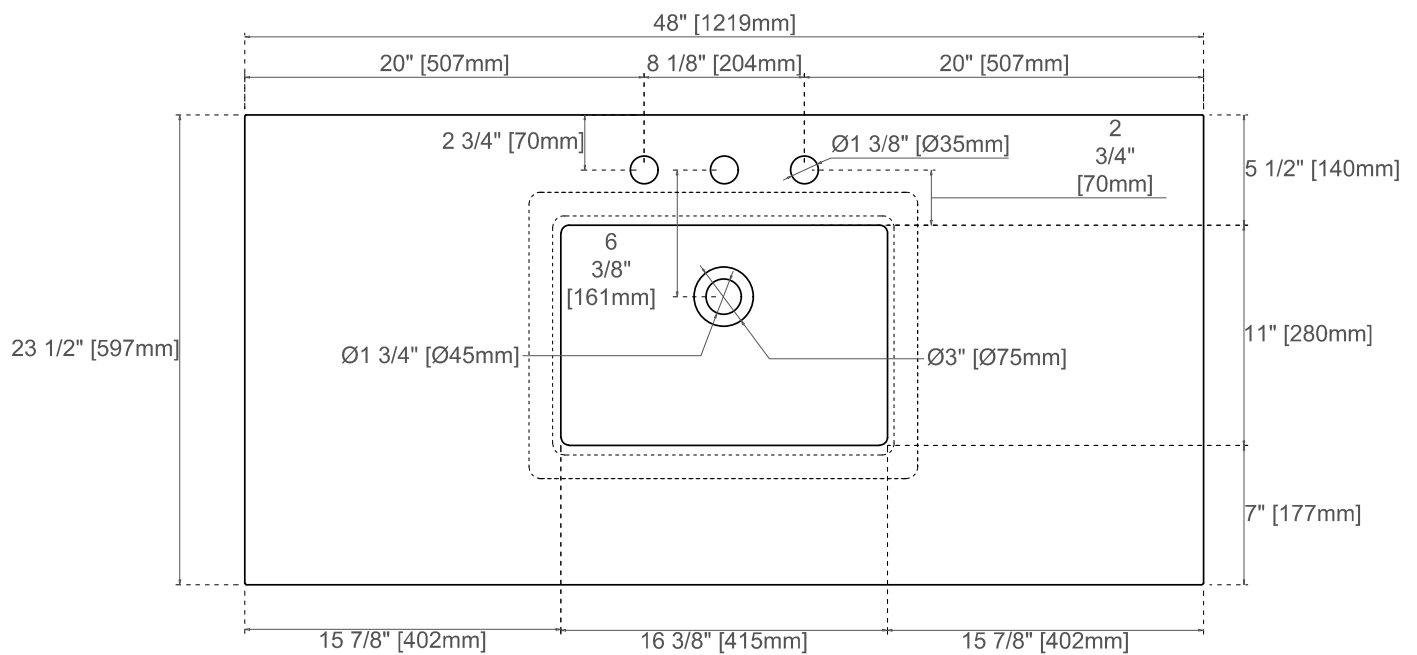
Visit website for warranty and installation information
www.jamesmartinvanities.com

**48" 3CM 050 SERIES
ĒCLOS®
COUNTERTOPS**

JAMES MARTIN
VANITIES

ĒCLOS with INLAYR Technology

ĒCLOS is the next generation of high-performance mineral surfaces, featuring a layered full-body integrated design and superior heat resistance. Thanks to its INLAYR technology, the production of ĒCLOS products combines minerals and recycled materials with a low-crystalline silica composition, through an advanced process of robotic engineering and integrated decorative techniques, resulting in the first collection with zero crystalline silica in its composition.



All dimensions are nominal

Visit website for warranty and installation information
www.jamesmartinvanities.com

Version: 202511

Ēclos Care and Maintenance

ĒCLOS materials have been designed to offer exceptional performance and aesthetics, making them the ideal choice for bathroom countertops. However, as with any high-end material, they are not completely unalterable. To ensure its useful life and preserve its beauty, it is important to follow some basic recommendations for use and maintenance.

Daily Maintenance: To maintain the appearance and performance of the material, it is recommended to clean stains and residue as soon as possible with a soft cloth, neutral soap and water. Avoid water puddling on the surface.

Cleaning: Avoid using cleaning products, aggressive solvents, strong acids, abrasive scouring pads, as they can damage the finish and properties of the material.

Applying hot tap water, along with a soft cloth and a neutral detergent, helps dissolve greasy and stuck-on residue, making it easier to remove without damaging the surface.

For stubborn stains, follow these guidelines:

Water and Lime Stains

Neutral anti-scale products applied with wet sponge

Other Stains

Oxygenated cleaners with a maximum hydrogen peroxide concentration of 5.5% applied with a wet sponge.

Impact Resistance Defined

Although Ēclos is durable, careful use will extend its lifespan. Handle heavy and sharp objects with care near the surface, avoiding sudden impact.

Heat Precautions

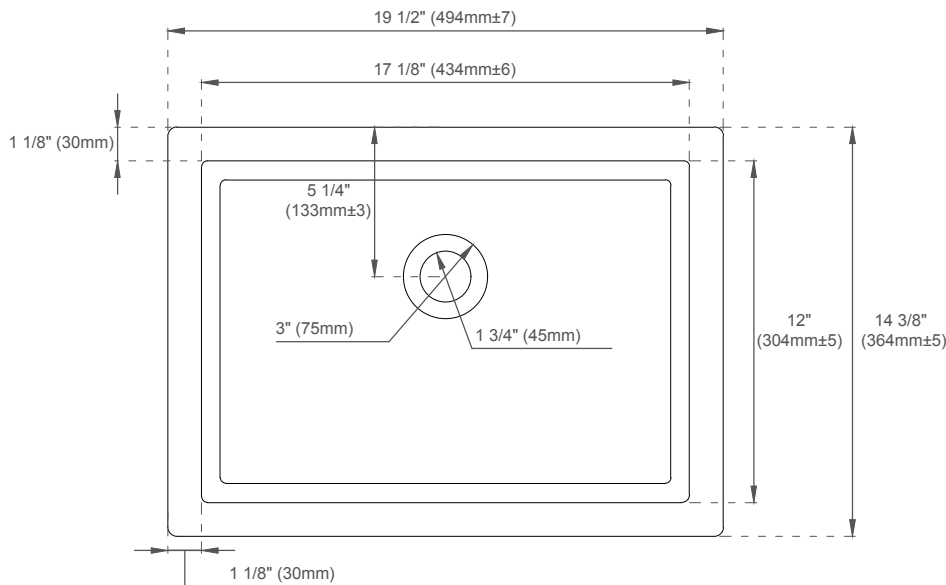
Although Ēclos is designed to withstand high temperatures for short periods of time, it is not recommended that the product be exposed to sustained contact with a heat source, like curling irons. The use of a trivet is recommended in such situations.

UV Exposure

Avoid direct sunlight, as it can visually alter the material over time. To fully enjoy the original design and color of Ēclos, we recommend using LED or fluorescent lighting.

SNK-RF RECTANGULAR PORCELAIN UNDERMOUNT SINK

JAMES MARTIN
VANITIES



ASME A112.19.2/CSA B45.1



FEATURES:

- Designed to fit with all James Martin Vanities with a 3cm Silestone quartz top
- Sink Material: Porcelain
- Integrated overflow
- Sink shape: Rectangular with straight sides
- Sink ships in a separate carton from top and vanity
- Sink clips and hardware are not included. All mounting hardware ships with the 3cm quartz tops
- Drain included: NO
- Faucet included: NO
- Overflow cover: NO

EXTERNAL DIMENSIONS:

Length: 19-1/2"
Width: 14-3/8"
Height: 6-7/8"

INTERNAL BASIN DIMENSIONS:

Basin Length: 17-1/8"
Basin Width: 12"
Basin Depth: 4-3/8"
Fits Drain Hole Size: 1-1/2"

All dimensions are nominal

Visit website for warranty and installation information
www.jamesmartinvanities.com

Version: 202301