

72" MYRRIN VANITY

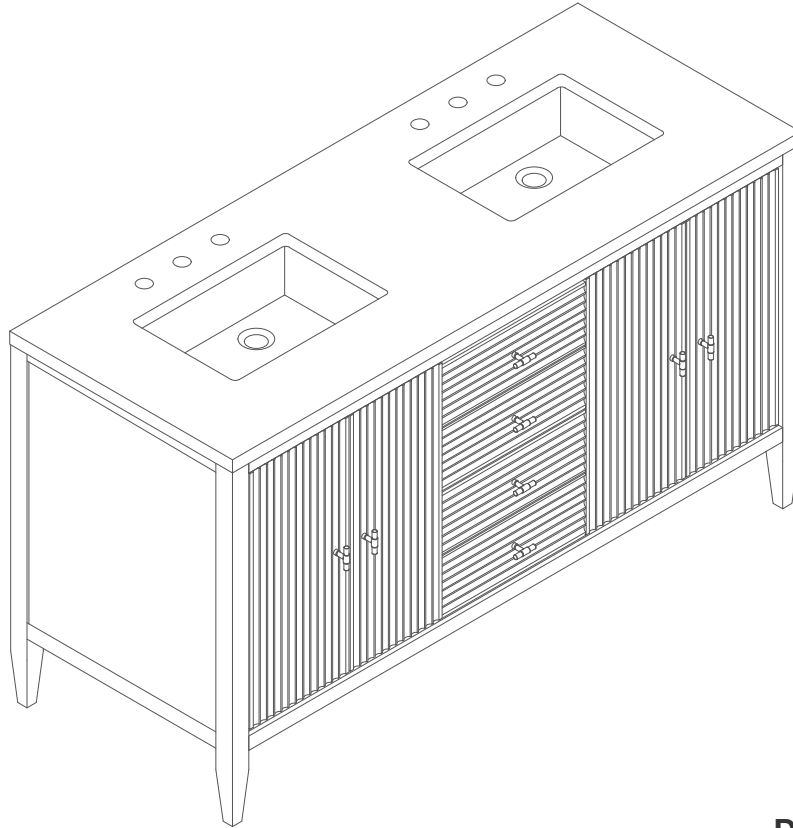
485-V72-M-BW

485-V72-M-CBO

485-V72-M-WLT

JAMES MARTIN
VANITIES

FREEPOWER COMPATIBLE



Features and Materials

Solids: BW-Yellow Poplar; CBO-Ash; WLT-Rubberwood

Veneers: CBO-Ash; WLT-Walnut

Panels: Plywood

Installation Type: Floor Standing

Number of Basins: Two, with Optional 3cm Top

Vanity Top Included: No, Optional 3cm Tops Available with Sinks

Overflow: Yes, Front Facing

Number of Doors: Four

Number of Drawers: Three

USB/Power Component: Yes (ETL5011080)

Cord Length: 6'6"

Bamboo Storage Tray: Yes

Assembly Type: Installation of Optional 3cm Top with Sink

Drawer Box Material and Construction: 12mm Plywood/English Dovetail Joinery

Hardware Material and Finish: Zinc Alloy in Champagne Brass

Fits Drain Hole Size: 1 3/4"

Full Extension, Soft Close Glides

European Soft Close Hinges

Aluminum Laminate Drawer Liners

Adjustable Levelers

Dimension

Width: 71-7/8"

Depth: 23-1/2"

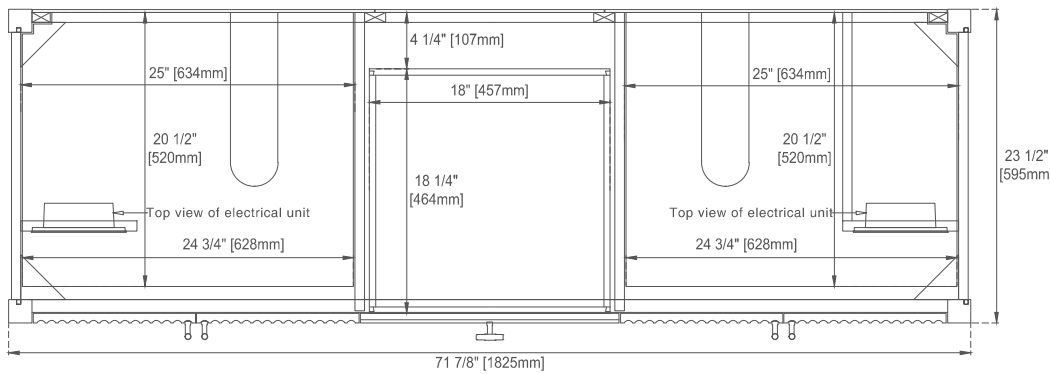
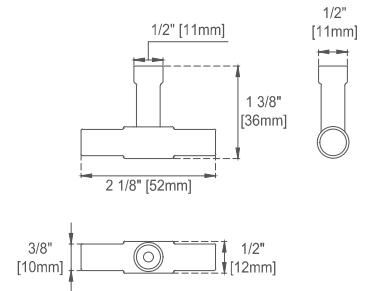
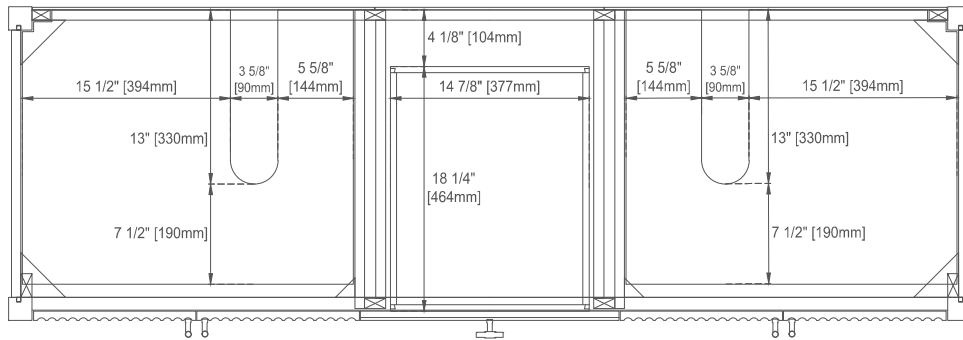
Height: 32-7/8"

Rough-In Height: 21-1/2"

72" MYRRIN VANITY

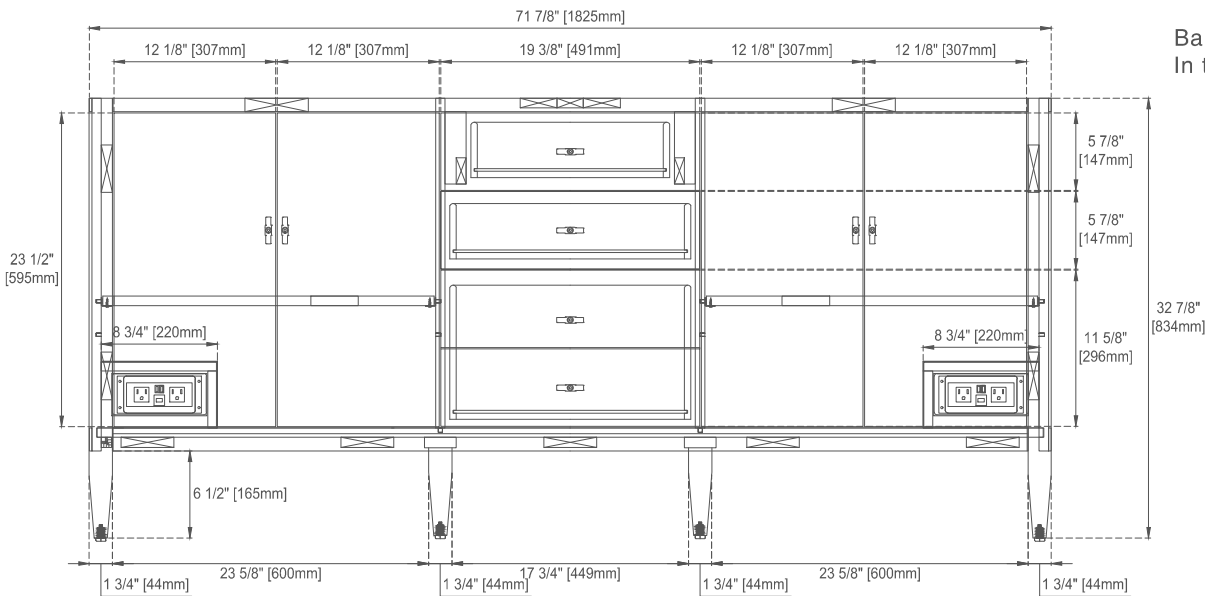
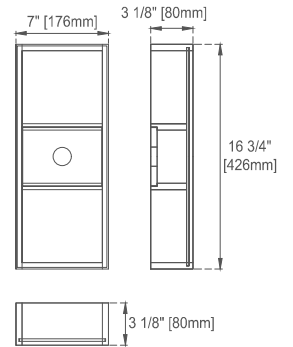
485-V72-M-BW
 485-V72-M-CBO
 485-V72-M-WLT

JAMES MARTIN VANITIES



Top View

Knob



Front View

Bamboo Drawer Organizer
 In the Top Drawer

All dimensions are nominal

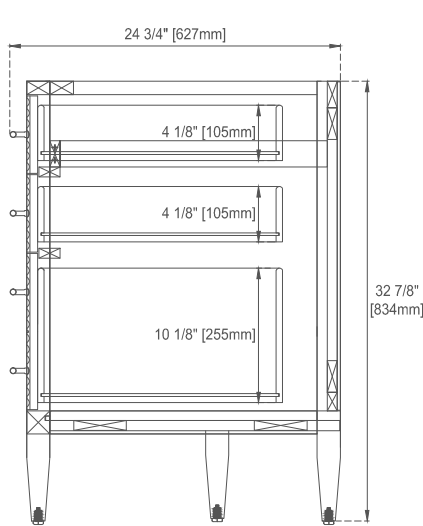
Diagrams are of cabinet only—James Martin Optional Countertops and sinks are not shown

Visit website for warranty and installation information
www.jamesmartinvanities.com

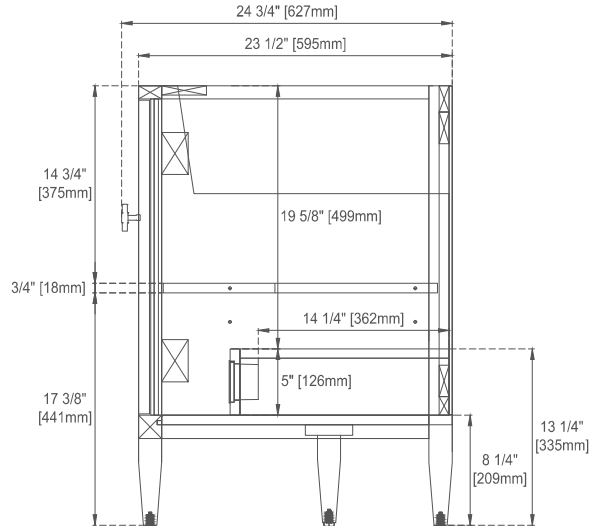
72" MYRRIN VANITY

485-V72-M-BW
 485-V72-M-CBO
 485-V72-M-WLT

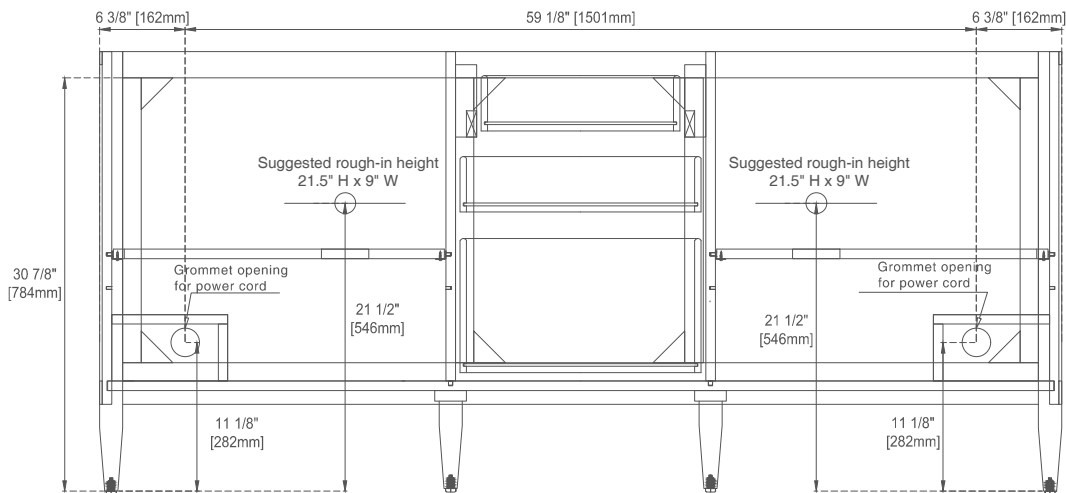
JAMES MARTIN VANITIES



Side View 1



Side View 2



Back View

All dimensions are nominal

Diagrams are of cabinet only—James Martin Optional Countertops and sinks are not shown

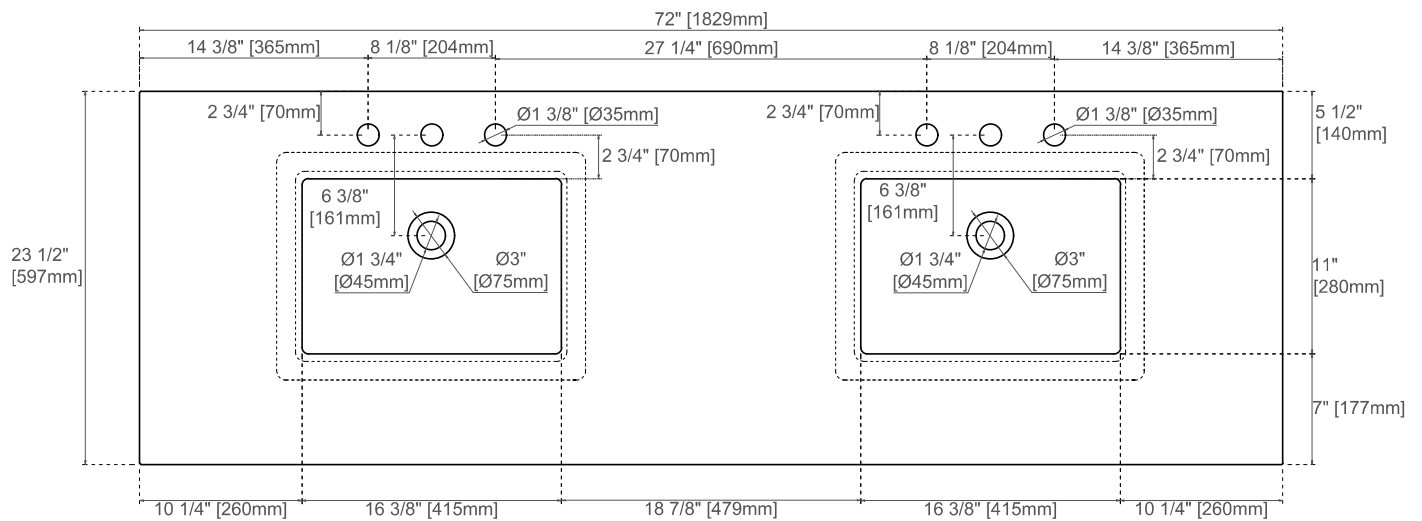
Visit website for warranty and installation information
www.jamesmartinvanities.com

**72" 3CM 050 SERIES
 ECLOS®
 COUNTERTOPS**



ECLOS with INLAYR Technology

ECLOS is the next generation of high-performance mineral surfaces, featuring a layered full-body integrated design and superior heat resistance. Thanks to its INLAYR technology, the production of ECLOS products combines minerals and recycled materials with a low-crystalline silica composition, through an advanced process of robotic engineering and integrated decorative techniques, resulting in the first collection with zero crystalline silica in its composition.



All dimensions are nominal

Visit website for warranty and installation information
www.jamesmartinvanities.com

Version: 202511

Ēclos Care and Maintenance

ĒCLOS materials have been designed to offer exceptional performance and aesthetics, making them the ideal choice for bathroom countertops. However, as with any high-end material, they are not completely unalterable. To ensure its useful life and preserve its beauty, it is important to follow some basic recommendations for use and maintenance.

Daily Maintenance: To maintain the appearance and performance of the material, it is recommended to clean stains and residue as soon as possible with a soft cloth, neutral soap and water. Avoid water puddling on the surface.

Cleaning: Avoid using cleaning products, aggressive solvents, strong acids, abrasive scouring pads, as they can damage the finish and properties of the material.

Applying hot tap water, along with a soft cloth and a neutral detergent, helps dissolve greasy and stuck-on residue, making it easier to remove without damaging the surface.

For stubborn stains, follow these guidelines:

Water and Lime Stains

Neutral anti-scale products applied with wet sponge

Other Stains

Oxygenated cleaners with a maximum hydrogen peroxide concentration of 5.5% applied with a wet sponge.

Impact Resistance Defined

Although Ēclos is durable, careful use will extend its lifespan. Handle heavy and sharp objects with care near the surface, avoiding sudden impact.

Heat Precautions

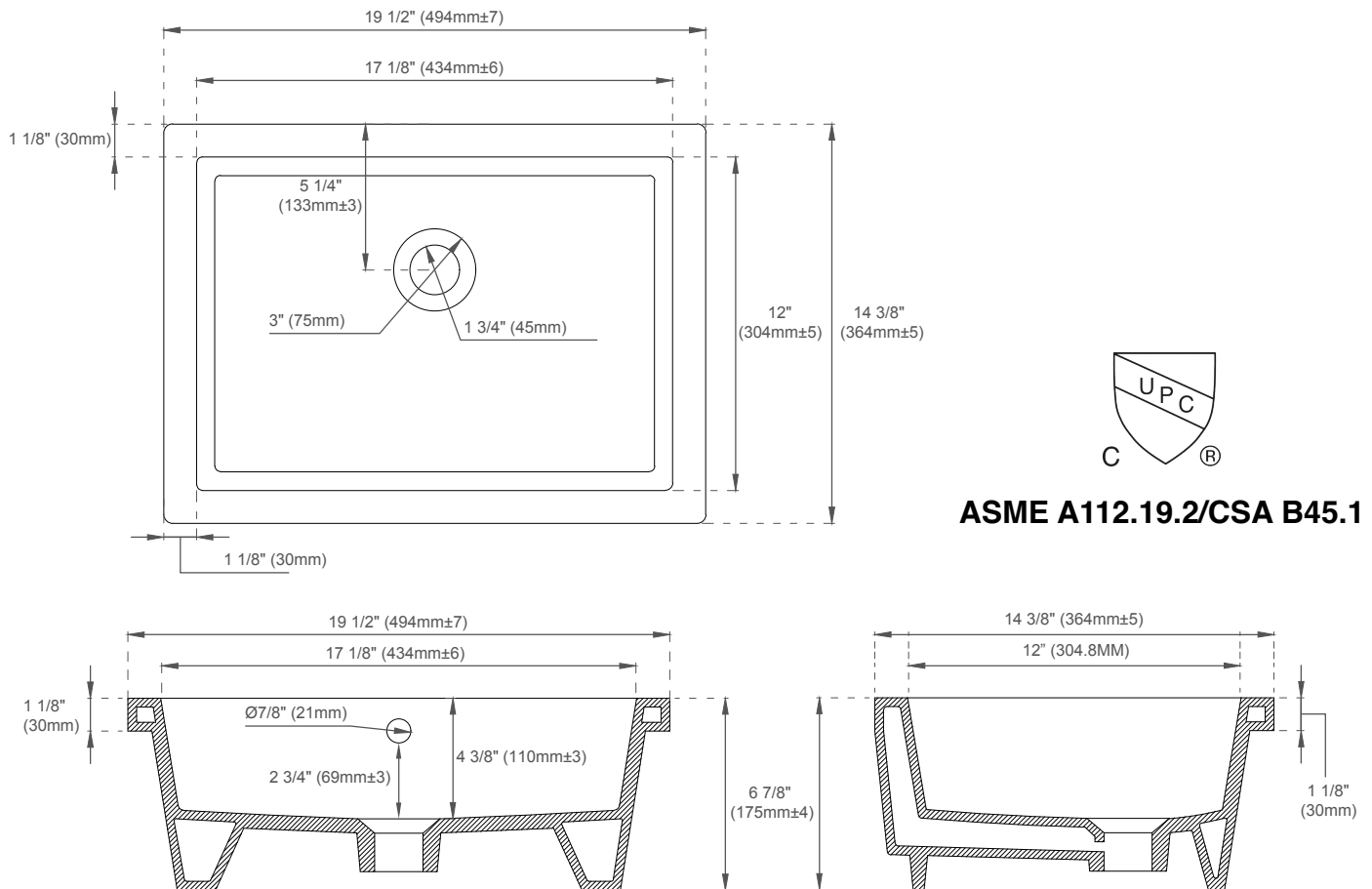
Although Ēclos is designed to withstand high temperatures for short periods of time, it is not recommended that the product be exposed to sustained contact with a heat source, like curling irons. The use of a trivet is recommended in such situations.

UV Exposure

Avoid direct sunlight, as it can visually alter the material over time. To fully enjoy the original design and color of Ēclos, we recommend using LED or fluorescent lighting.

SNK-RF RECTANGULAR PORCELAIN UNDERMOUNT SINK

JAMES MARTIN
VANITIES



FEATURES:

- Designed to fit with all James Martin Vanities with a 3cm Silestone quartz top
- Sink Material: Porcelain
- Integrated overflow
- Sink shape: Rectangular with straight sides
- Sink ships in a separate carton from top and vanity
- Sink clips and hardware are not included. All mounting hardware ships with the 3cm quartz tops
- Drain included: NO
- Faucet included: NO
- Overflow cover: NO

EXTERNAL DIMENSIONS:

Length: 19-1/2"
Width: 14-3/8"
Height: 6-7/8"

INTERNAL BASIN DIMENSIONS:

Basin Length: 17-1/8"
Basin Width: 12"
Basin Depth: 4-3/8"
Fits Drain Hole Size: 1-1/2"

All dimensions are nominal

Visit website for warranty and installation information
www.jamesmartinvanities.com

Version: 202301