

# 48" MYRRIN VANITY

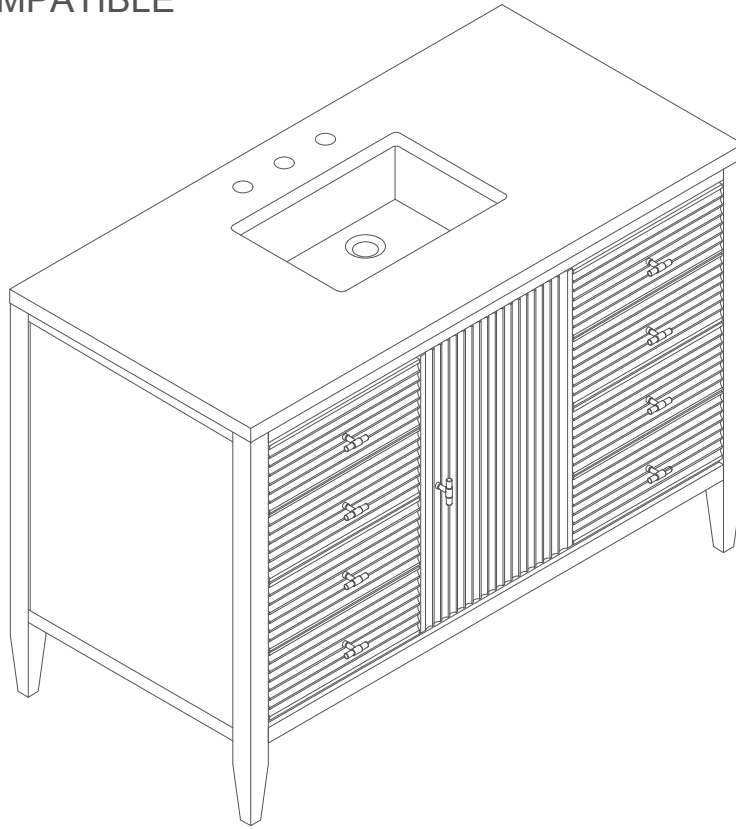
485-V48-M-BW

485-V48-M-CBO

485-V48-M-WLT

**JAMES MARTIN**  
VANITIES

FREEPOWER COMPATIBLE



## Features and Materials

Solids: BW-Yellow Poplar; CBO-Ash; WLT-Rubberwood

Veneers: CBO-Ash; WLT-Walnut

Panels: Plywood

Installation Type: Floor Standing

Number of Basins: One, with Optional 3cm Top

Vanity Top Included: NO, Optional 3cm Tops Available with Sinks

Basins Included: NO

Overflow: Yes, Front Facing

Number of Doors: One

Number of Drawers: Six

USB/Power Component: YES (ETL5011080)

Cord Length: 6'6"

Bamboo Storage Tray: Yes

Assembly Type: Installation of Optional 3cm Top with Sink

Drawer Box Material and Construction: 12mm Plywood/English Dovetail Joinery

Hardware Material and Finish: Zinc Alloy in Champagne Brass

Fits Drain Hole Size: 1 3/4"

Full Extension, Soft Close Glides

European Soft Close Hinges

Aluminum Laminate Drawer Liners

Adjustable Levelers

## Dimension

Width: 47-7/8"

Depth: 23-1/2"

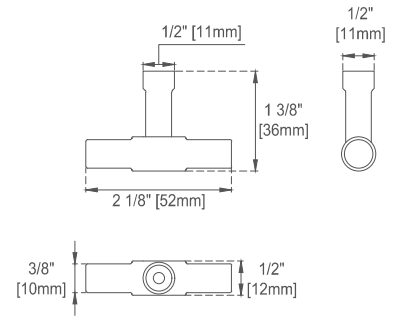
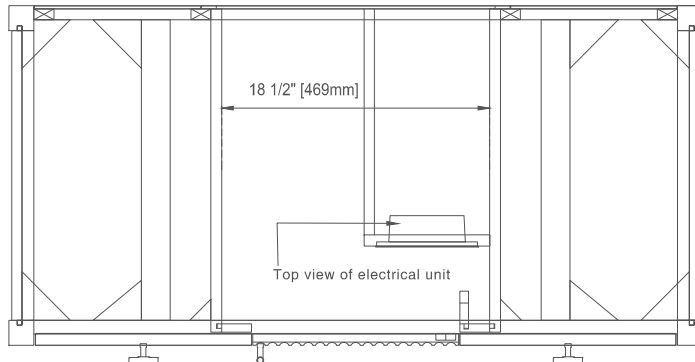
Height: 32-7/8"

Rough-In Height: 21-1/2"

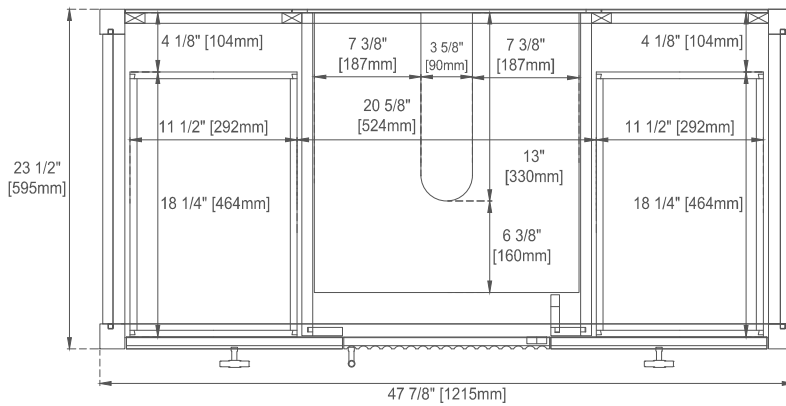
# 48" MYRRIN VANITY

485-V48-M-BW  
 485-V48-M-CBO  
 485-V48-M-WLT

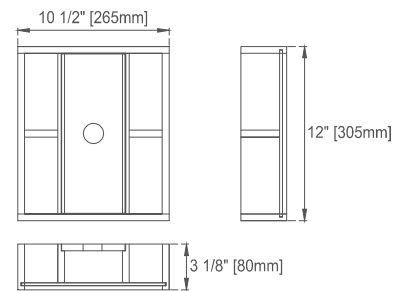
# JAMES MARTIN VANITIES



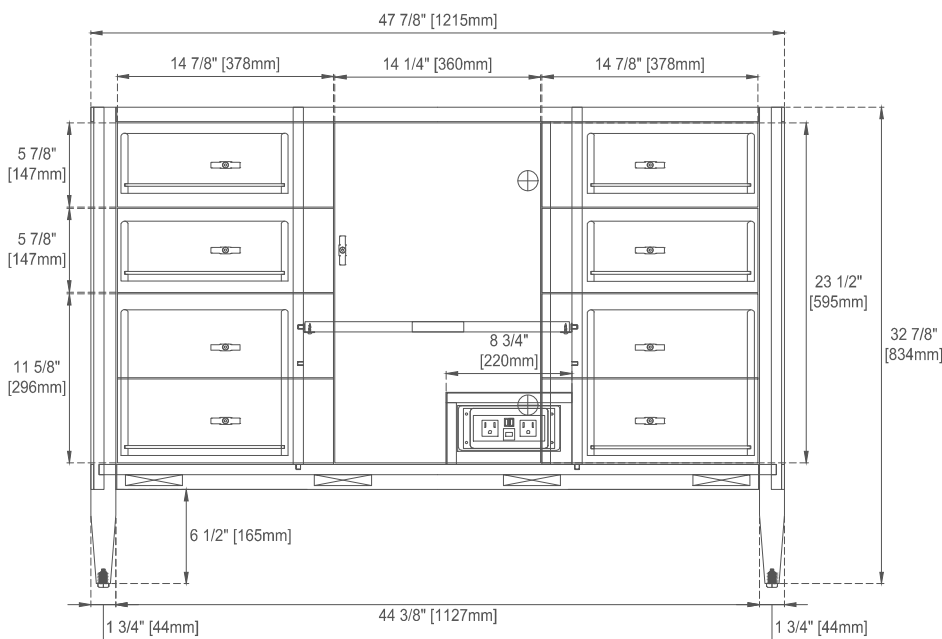
Knob



Top View



Bamboo Drawer Organizer  
 In the Top-right Drawer



Front View

All dimensions are nominal

Diagrams are of cabinet only—James Martin Optional Countertops and sinks are not shown

Visit website for warranty and installation information  
[www.jamesmartinvanities.com](http://www.jamesmartinvanities.com)

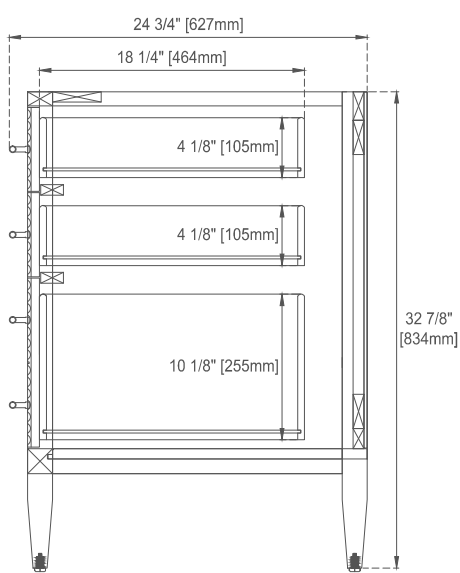
# 48" MYRRIN VANITY

485-V48-M-BW

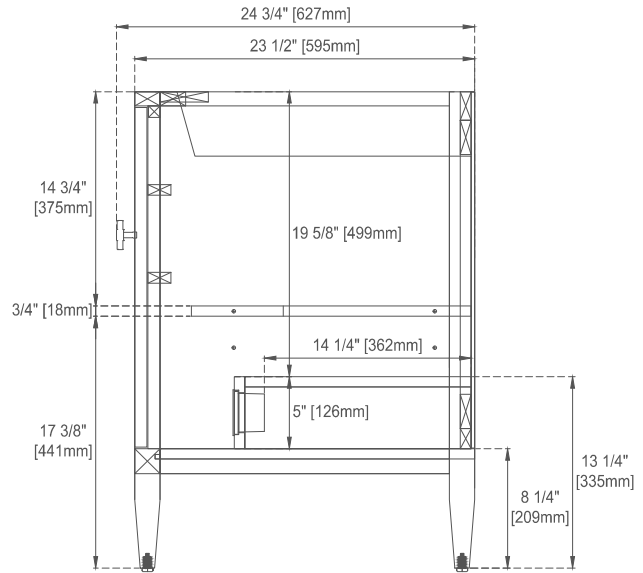
485-V48-M-CBO

485-V48-M-WLT

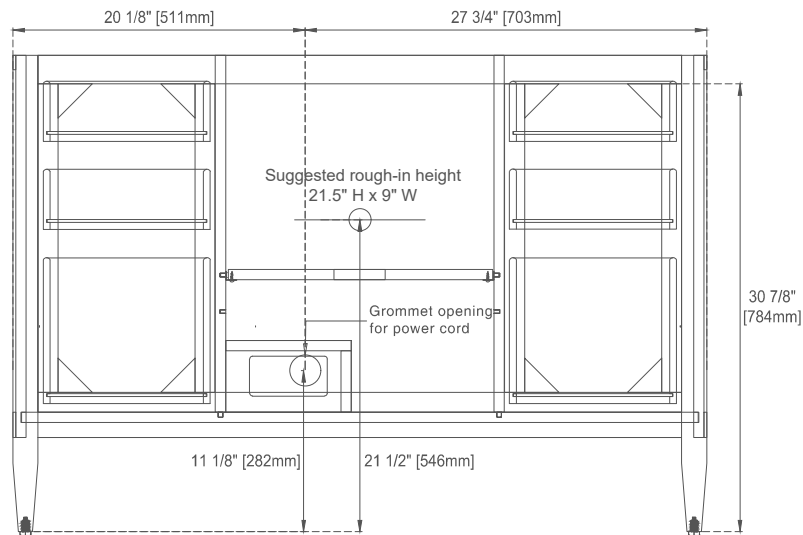
# JAMES MARTIN VANITIES



Side View 1



Side View 2



Back View

All dimensions are nominal

Diagrams are of cabinet only—James Martin Optional Countertops and sinks are not shown

Visit website for warranty and installation information  
[www.jamesmartinvanities.com](http://www.jamesmartinvanities.com)



---

## **Ēclos Care and Maintenance**

ĒCLOS materials have been designed to offer exceptional performance and aesthetics, making them the ideal choice for bathroom countertops. However, as with any high-end material, they are not completely unalterable. To ensure its useful life and preserve its beauty, it is important to follow some basic recommendations for use and maintenance.

**Daily Maintenance:** To maintain the appearance and performance of the material, it is recommended to clean stains and residue as soon as possible with a soft cloth, neutral soap and water. Avoid water puddling on the surface.

**Cleaning:** Avoid using cleaning products, aggressive solvents, strong acids, abrasive scouring pads, as they can damage the finish and properties of the material.

Applying hot tap water, along with a soft cloth and a neutral detergent, helps dissolve greasy and stuck-on residue, making it easier to remove without damaging the surface.

**For stubborn stains, follow these guidelines:**

**Water and Lime Stains**

Neutral anti-scale products applied with wet sponge

**Other Stains**

Oxygenated cleaners with a maximum hydrogen peroxide concentration of 5.5% applied with a wet sponge.

### **Impact Resistance Defined**

Although Ēclos is durable, careful use will extend its lifespan. Handle heavy and sharp objects with care near the surface, avoiding sudden impact.

### **Heat Precautions**

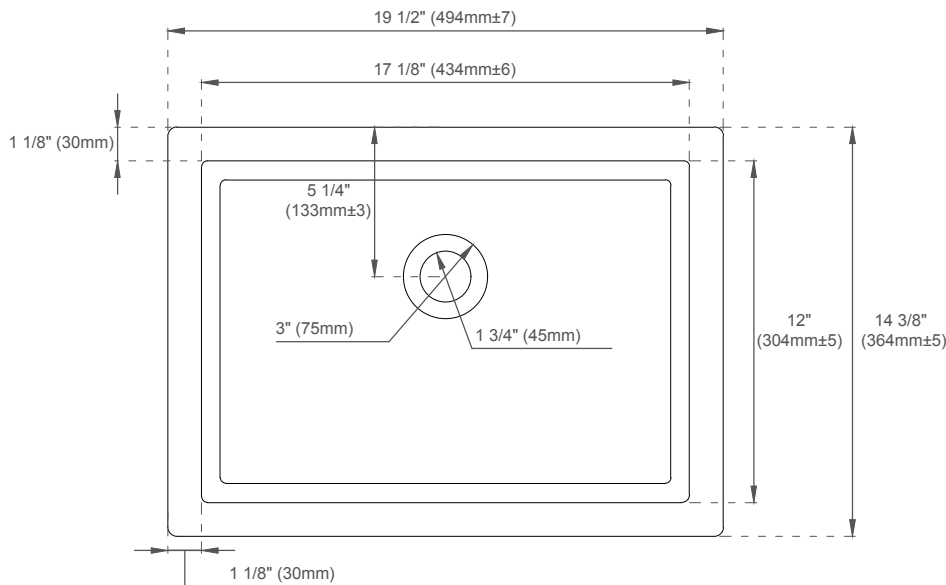
Although Ēclos is designed to withstand high temperatures for short periods of time, it is not recommended that the product be exposed to sustained contact with a heat source, like curling irons. The use of a trivet is recommended in such situations.

### **UV Exposure**

Avoid direct sunlight, as it can visually alter the material over time. To fully enjoy the original design and color of Ēclos, we recommend using LED or fluorescent lighting.

# SNK-RF RECTANGULAR PORCELAIN UNDERMOUNT SINK

**JAMES MARTIN**  
VANITIES



**ASME A112.19.2/CSA B45.1**



## FEATURES:

- Designed to fit with all James Martin Vanities with a 3cm Silestone quartz top
- Sink Material: Porcelain
- Integrated overflow
- Sink shape: Rectangular with straight sides
- Sink ships in a separate carton from top and vanity
- Sink clips and hardware are not included. All mounting hardware ships with the 3cm quartz tops
- Drain included: NO
- Faucet included: NO
- Overflow cover: NO

## EXTERNAL DIMENSIONS:

Length: 19-1/2"  
Width: 14-3/8"  
Height: 6-7/8"

## INTERNAL BASIN DIMENSIONS:

Basin Length: 17-1/8"  
Basin Width: 12"  
Basin Depth: 4-3/8"  
Fits Drain Hole Size: 1-1/2"

**All dimensions are nominal**

Visit website for warranty and installation information  
[www.jamesmartinvanities.com](http://www.jamesmartinvanities.com)

Version: 202301