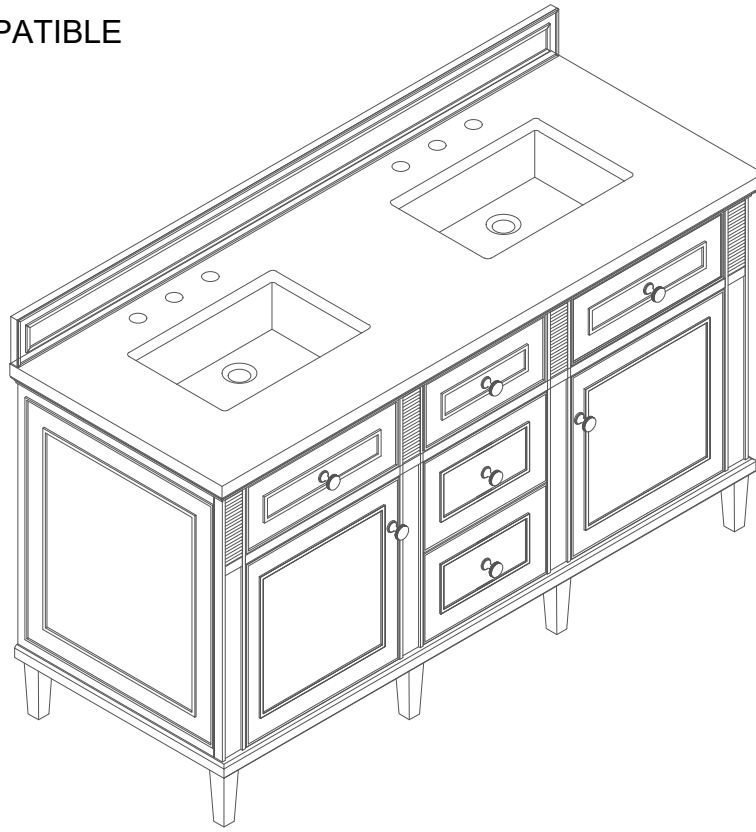


## 60"D LORELAI VANITY

424-V60D-M-BKO    424-V60D-M-WWO  
424-V60D-M-BW    424-V60D-M-WLT  
424-V60D-M-LNO

**JAMES MARTIN**  
VANITIES

FREEPOWER COMPATIBLE



### Features and Materials

Solids: BKO/BW-Yellow Poplar; LNO/WWO-Ash; WLT-Rubberwood  
Veneers: LNO/WWO-Ash; WLT-Walnut  
Panels: Plywood  
Installation Type: Floor Standing  
Number of Basins: Two, with optional 3cm top  
Vanity Top Included: NO, Optional 3cm Tops Available with Sinks  
Basins Included: NO  
Overflow: Yes, Front Facing  
Optional Wooden Backsplash  
Number of Doors: Two  
Number of Drawers: Three  
Number of Tip Outs: Two  
USB/Power Component: YES (ETL5011080)  
Cord Length: 6'6"  
Bamboo Storage Tray: YES  
Assembly Type: Installation of Optional 3cm Top with Sink  
Drawer Box Material and Construction: 12mm Plywood/English Dovetail  
Joinery Hardware Material and Finish: Zinc Alloy, BW/WWO - Brushed Nickel  
Color; BKO/LNO/WLT -Champagne Brass Color  
Fits Drain Hole Size: 1 3/4"  
Full Extension, Soft Close Glides  
European Soft Close Hinges  
Aluminum Laminate Drawer Liners  
Adjustable Levelers

### Dimension

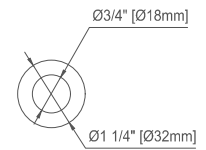
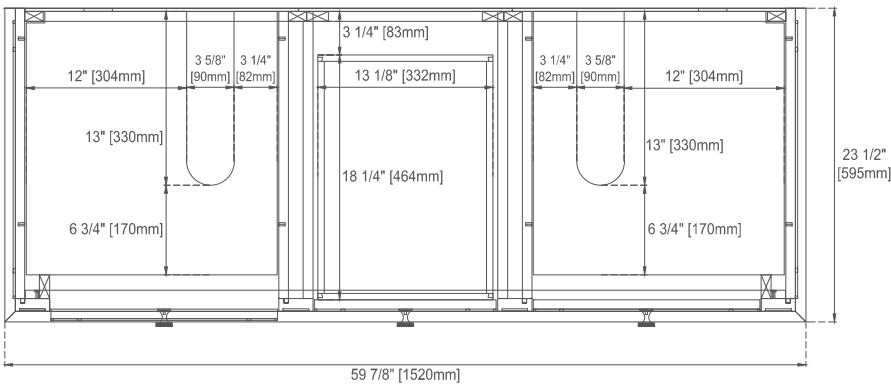
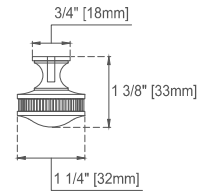
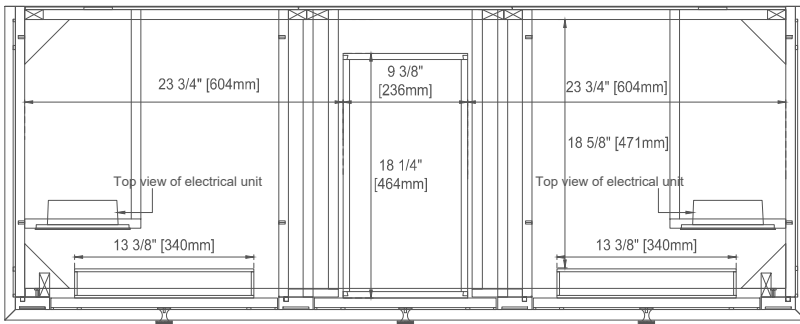
Width: 59-7/8"  
Depth: 23-1/2"  
Height: 32-7/8"  
Rough-In Height: 21-1/2"

Visit website for warranty and installation information  
[www.jamesmartinvanities.com](http://www.jamesmartinvanities.com)

# 60"D LORELAI VANITY

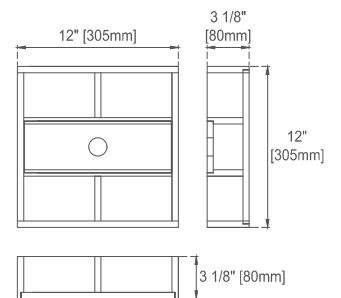
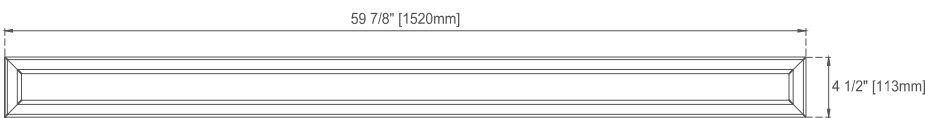
424-V60D-M-BKO    424-V60D-M-WWO  
 424-V60D-M-BW    424-V60D-M-WLT  
 424-V60D-M-LNO

# JAMES MARTIN VANITIES

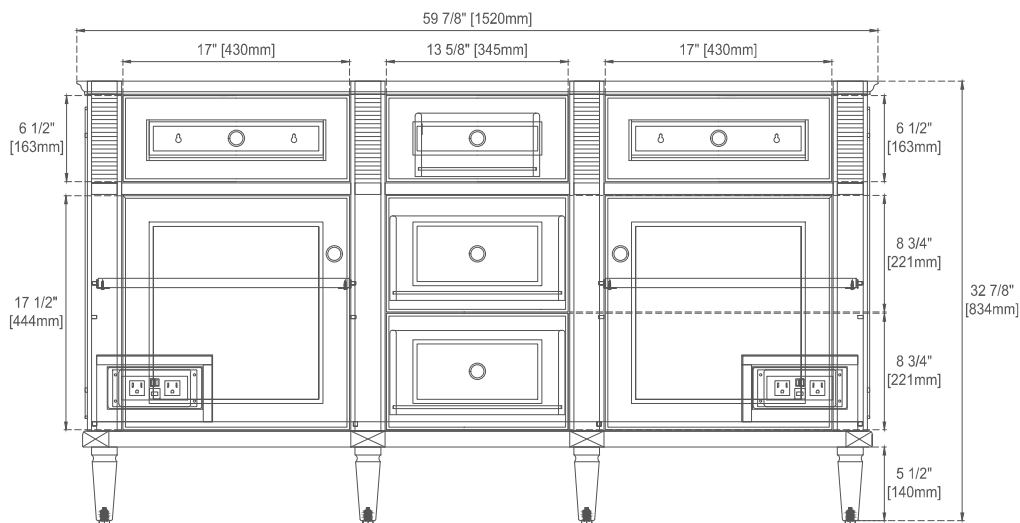


Knob

Top View



Bamboo Drawer Organizer  
 In the Middle Drawer



Front View

All dimensions are nominal

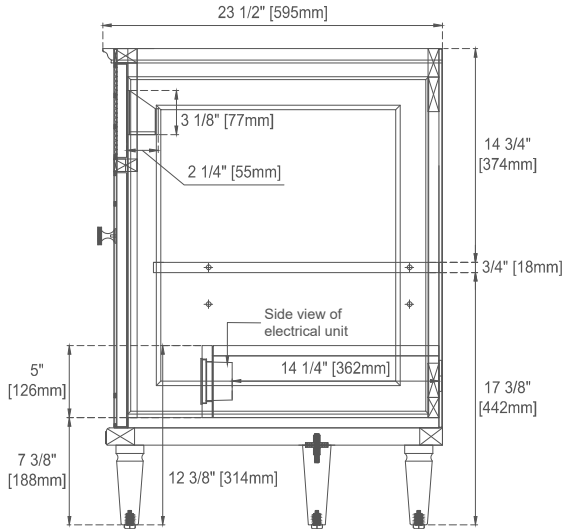
Diagrams are of cabinet only—James Martin Optional Countertops and sinks are not shown

Visit website for warranty and installation information  
[www.jamesmartinvanities.com](http://www.jamesmartinvanities.com)

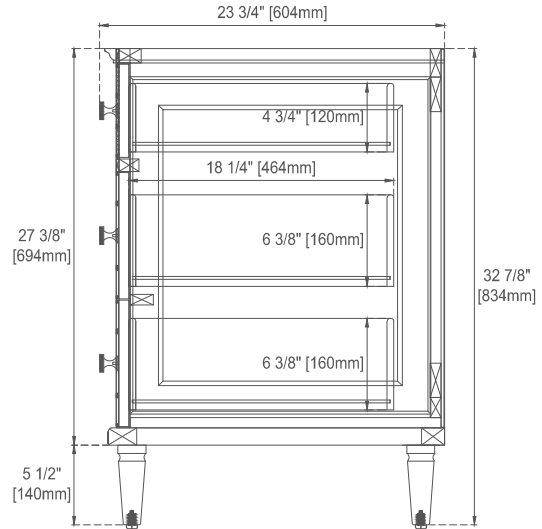
# 60"D LORELAI VANITY

424-V60D-M-BKO    424-V60D-M-WWO  
 424-V60D-M-BW    424-V60D-M-WLT  
 424-V60D-M-LNO

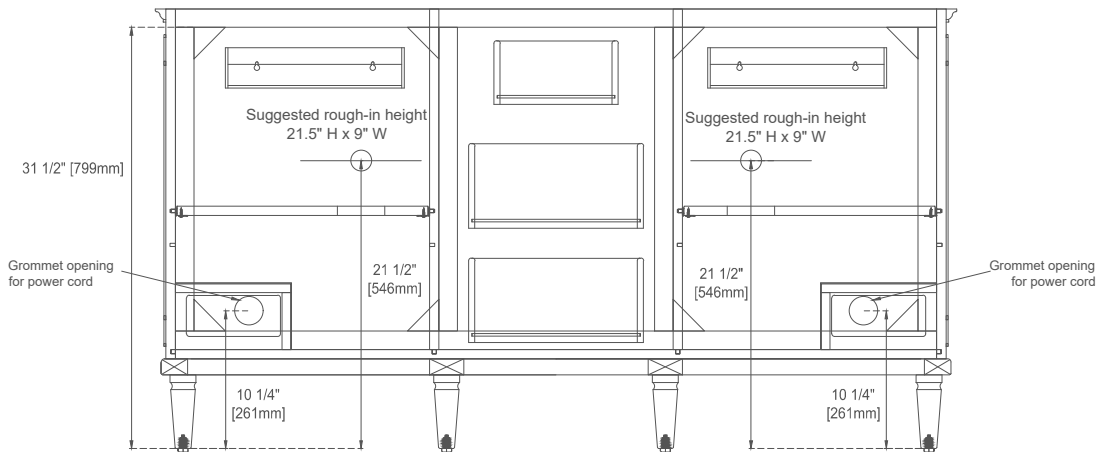
# JAMES MARTIN VANITIES



Side View 1



Side View 2



Back View

All dimensions are nominal  
 Diagrams are of cabinet only—James Martin Optional Countertops and sinks are not shown

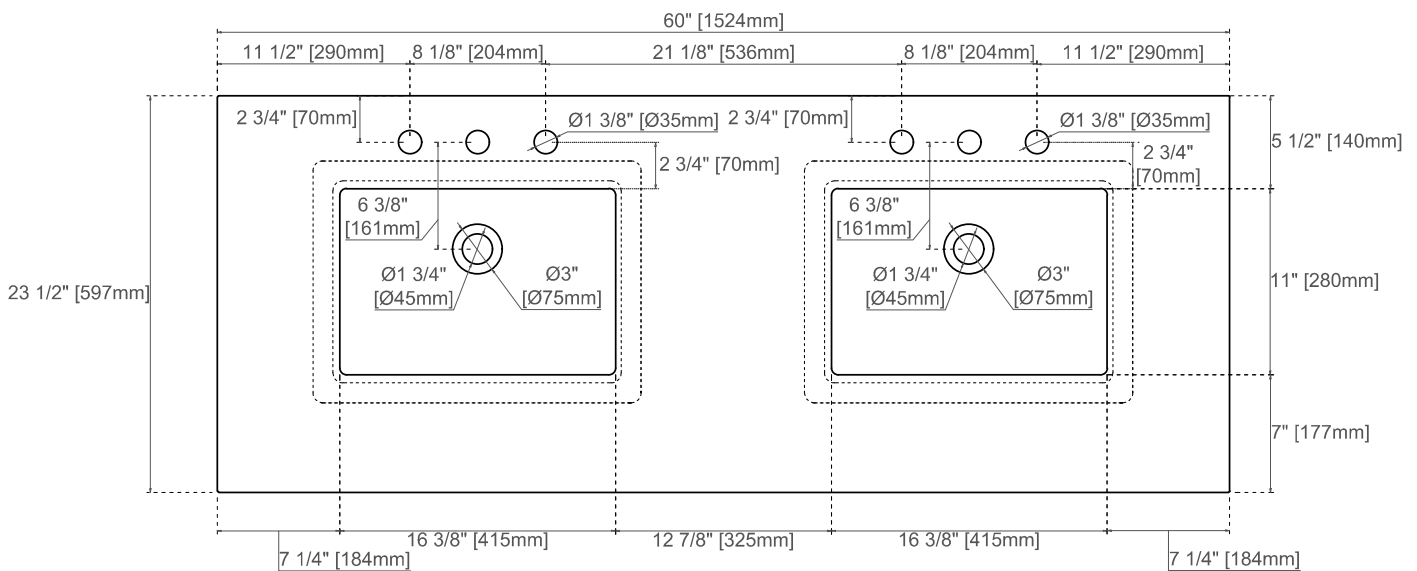
Visit website for warranty and installation information  
[www.jamesmartinvanities.com](http://www.jamesmartinvanities.com)

**60"D 3CM 050 SERIES**  
**ĒCLOS®**  
**COUNTERTOPS**



**ĒCLOS with INLAYR Technology**

ĒCLOS is the next generation of high-performance mineral surfaces, featuring a layered full-body integrated design and superior heat resistance. Thanks to its INLAYR technology, the production of ĒCLOS products combines minerals and recycled materials with a low-crystalline silica composition, through an advanced process of robotic engineering and integrated decorative techniques, resulting in the first collection with zero crystalline silica in its composition.



**All dimensions are nominal**

Visit website for warranty and installation information  
[www.jamesmartinvanities.com](http://www.jamesmartinvanities.com)

Version: 202511

---

## **Ēclos Care and Maintenance**

ĒCLOS materials have been designed to offer exceptional performance and aesthetics, making them the ideal choice for bathroom countertops. However, as with any high-end material, they are not completely unalterable. To ensure its useful life and preserve its beauty, it is important to follow some basic recommendations for use and maintenance.

**Daily Maintenance:** To maintain the appearance and performance of the material, it is recommended to clean stains and residue as soon as possible with a soft cloth, neutral soap and water. Avoid water puddling on the surface.

**Cleaning:** Avoid using cleaning products, aggressive solvents, strong acids, abrasive scouring pads, as they can damage the finish and properties of the material.

Applying hot tap water, along with a soft cloth and a neutral detergent, helps dissolve greasy and stuck-on residue, making it easier to remove without damaging the surface.

**For stubborn stains, follow these guidelines:**

**Water and Lime Stains**

Neutral anti-scale products applied with wet sponge

**Other Stains**

Oxygenated cleaners with a maximum hydrogen peroxide concentration of 5.5% applied with a wet sponge.

### **Impact Resistance Defined**

Although Ēclos is durable, careful use will extend its lifespan. Handle heavy and sharp objects with care near the surface, avoiding sudden impact.

### **Heat Precautions**

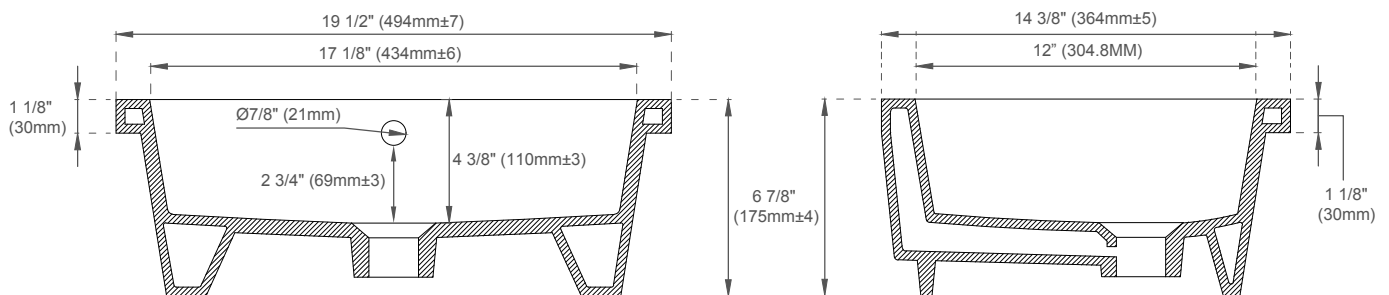
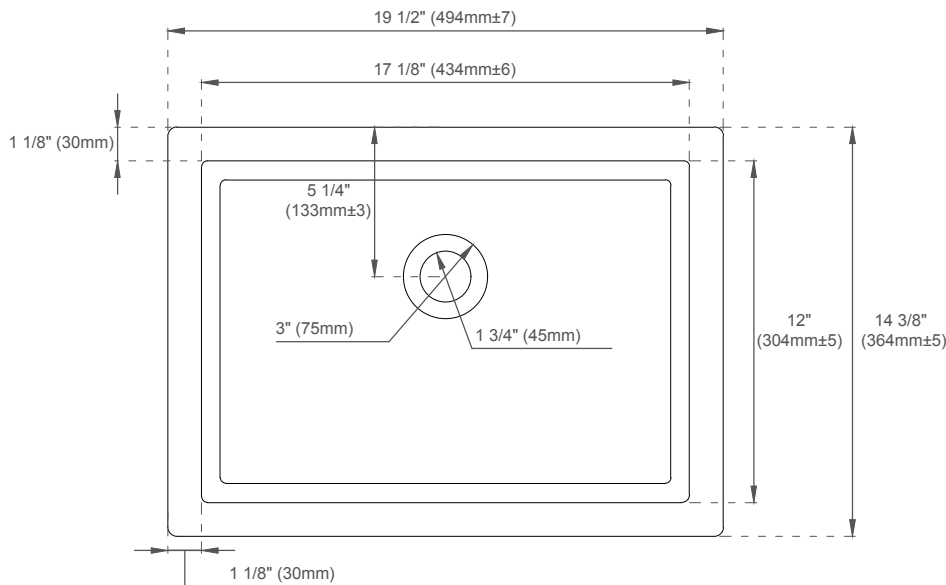
Although Ēclos is designed to withstand high temperatures for short periods of time, it is not recommended that the product be exposed to sustained contact with a heat source, like curling irons. The use of a trivet is recommended in such situations.

### **UV Exposure**

Avoid direct sunlight, as it can visually alter the material over time. To fully enjoy the original design and color of Ēclos, we recommend using LED or fluorescent lighting.

# SNK-RF RECTANGULAR PORCELAIN UNDERMOUNT SINK

**JAMES MARTIN**  
VANITIES



## FEATURES:

- Designed to fit with all James Martin Vanities with a 3cm Silestone quartz top
- Sink Material: Porcelain
- Integrated overflow
- Sink shape: Rectangular with straight sides
- Sink ships in a separate carton from top and vanity
- Sink clips and hardware are not included. All mounting hardware ships with the 3cm quartz tops
- Drain included: NO
- Faucet included: NO
- Overflow cover: NO

## EXTERNAL DIMENSIONS:

Length: 19-1/2"  
Width: 14-3/8"  
Height: 6-7/8"

## INTERNAL BASIN DIMENSIONS:

Basin Length: 17-1/8"  
Basin Width: 12"  
Basin Depth: 4-3/8"  
Fits Drain Hole Size: 1-1/2"

**All dimensions are nominal**

Visit website for warranty and installation information  
[www.jamesmartinvanities.com](http://www.jamesmartinvanities.com)

Version: 202301