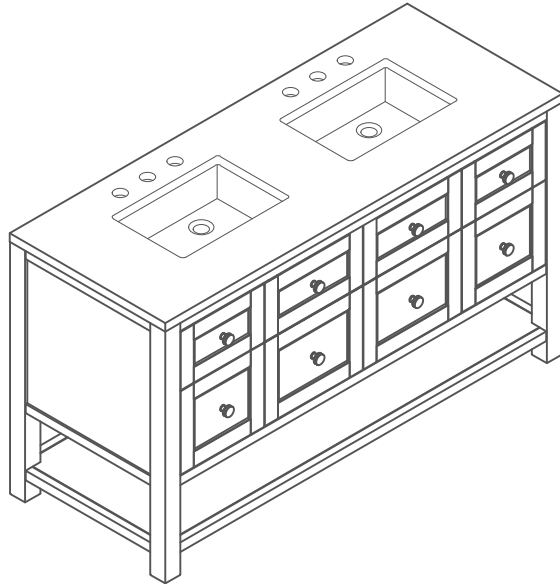


# 60"D BRECKENRIDGE VANITY

330-V60D-M-BW    330-V60D-M-LNO  
330-V60D-M-SRB    330-V60D-M-WWO  
330-V60D-M-SC

**JAMES MARTIN**  
VANITIES

FREEPOWER COMPATIBLE



## Features and Materials

Solids: GW/SC/SRB- Yellow Poplar; LNO/WWO- Ash and Yellow Poplar

Veneers: LNO/WWO-Flat Cut Ash

Panels: Plywood

Installation Type: Floor Standing

Number of Basins: One, with Optional 3cm Top

Vanity Top Included: NO, Optional 3cm Tops Available with Sinks

Basins Included: NO

Overflow: Yes, Front Facing

Number of Doors: Two

Number of Drawers: Two

Number of Tip Outs: Two

USB/Power Component: YES (ETL5011080)

Cord Length: 6'6"

Assembly Type: Yes, Installation of Optional 3cm Top

Bamboo Storage Tray: One

Drawer Box Material and Construction: 12mm Plywood/English Dovetail Joinery

Hardware Material and Finish: BW/SC-Zinc Alloy in Champagne Brass; LNO-

Zinc Alloy in Matte Black; WWO/SRB-Zinc Alloy in Satin Nickel

Fits Drain Hole Size: 1 3/4"

Full Extension, Soft Close Glides

European Soft Close Hinges

Aluminum Laminate Drawer Liners

Adjustable Levels

## Dimension

Width: 59-7/8"

Depth: 23-1/2"

Height: 33"

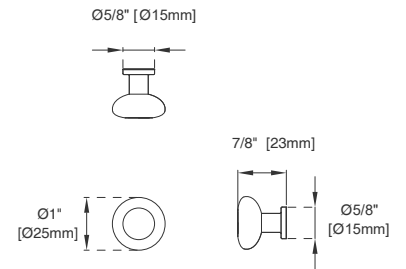
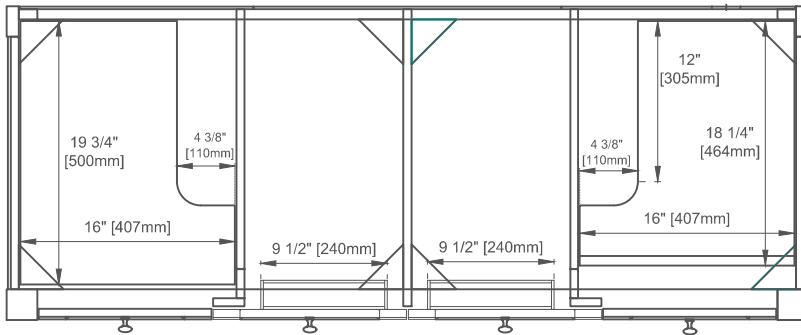
Rough-In Height: 21-1/2"

# 60"D BRECKENRIDGE VANITY

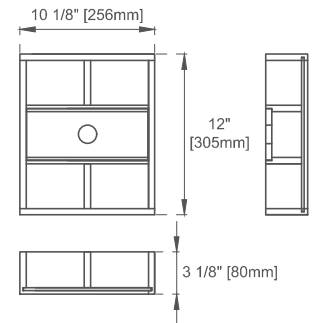
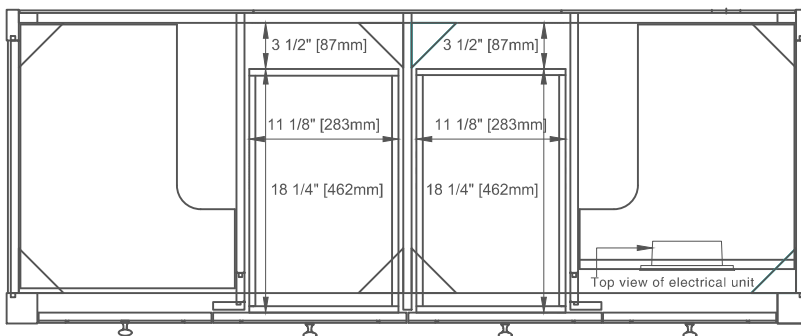
330-V60D-M-BW  
 330-V60D-M-SRB  
 330-V60D-M-SC

330-V60D-M-LNO  
 330-V60D-M-WWO

# JAMES MARTIN VANITIES

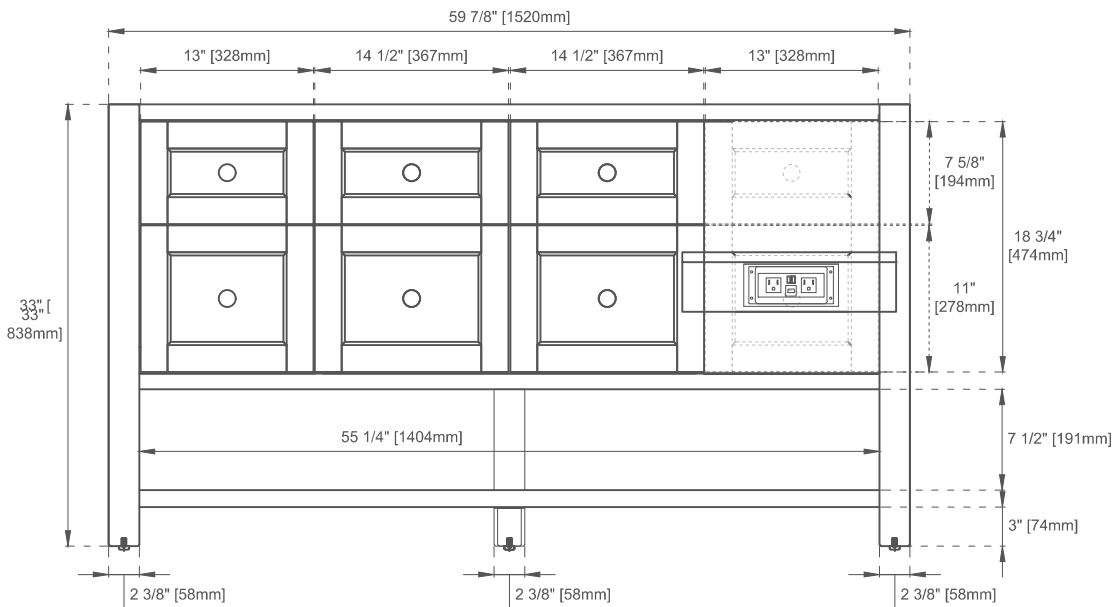


Knob



Bamboo Drawer Organizer

Top View



Front View

All dimensions are nominal  
 Diagrams are of cabinet only—James Martin Optional Countertops and sinks are not shown

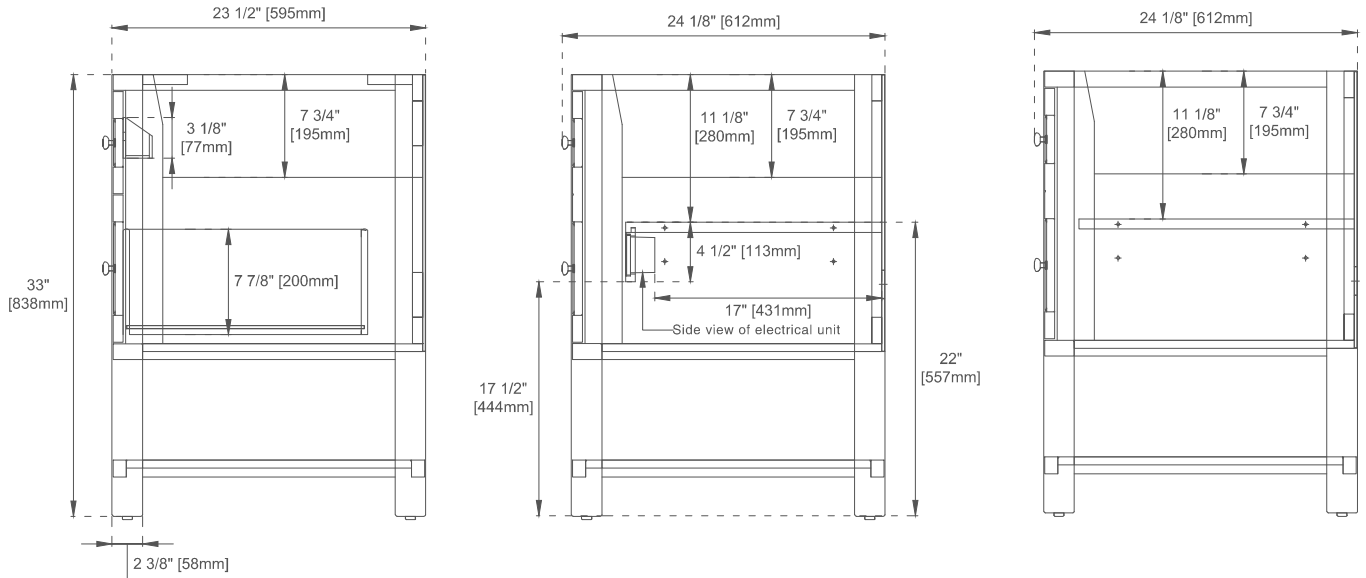
Visit website for warranty and installation information  
[www.jamesmartinvanities.com](http://www.jamesmartinvanities.com)

# 60"D BRECKENRIDGE VANITY

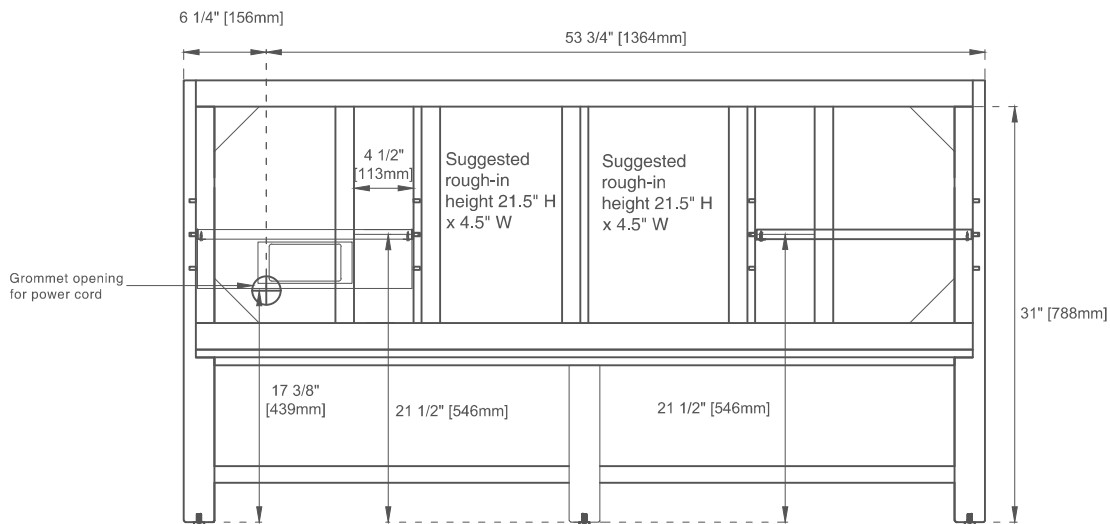
330-V60D-M-BW    330-V60D-M-LNO  
 330-V60D-M-SRB    330-V60D-M-WWO  
 330-V60D-M-SC

# JAMES MARTIN

## VANITIES



Side View



Back View

All dimensions are nominal  
 Diagrams are of cabinet only—James Martin Optional Countertops and sinks are not shown

Visit website for warranty and installation information  
[www.jamesmartinvanities.com](http://www.jamesmartinvanities.com)



---

## Silestone Care and Maintenance

Silestone's hybrid composition consisting of premium minerals, quartz, and recycled materials makes it highly resistant to stains, preventing them from penetrating the surface and making daily cleaning easy and quick.

**Routine Care:** Simply wipe your Silestone surface with soap and water on a regular basis to maintain its beauty. For deeper cleaning, use any Ph-balanced (less than 10) general-purpose household cleaner. Q-Action cleaner is especially effective for the disinfection of kitchen countertops.

Using sealants and water repellants is not necessary to maintain the original sheen of your Silestone quartz top. Avoid using these products as they can create an undesirable build-up over time. If the surface of your Silestone countertop loses sheen, you may apply food-safe furniture spray.

**Light Stains:** Apply a small amount of a general-purpose household cleaner to the stain, let sit for 2 minutes and rub with a non-scratch scouring pad. Rinse immediately with water. For stains that harden as they dry, remove by gently scraping the surface with a razor blade or putty knife, holding it upright to avoid scratching the surface. Clean using warm, soapy water and rinse thoroughly.

**Difficult/Stubborn Stains:** The following products may be applied and let stand for 10 minutes before scrubbing and rinsing thoroughly. Caution should be exercised in the handling and storage of these chemicals.

Lacquer Thinner – Rubbing Alcohol – Ammonia – Mineral Spirits

**Hardwater Stains:** Apply a paste from equal parts baking soda and white vinegar. Let sit on the surface for 10-20 minutes and rub with a non-scratch pad. Rinse immediately with water.

## General Precautions

### Avoid using the following:

- Chlorine-based products
- Degreasing agents such as those used in oven cleaners
- Products high in alkaline (Ph over 10)

### Heat Precautions

Although Silestone can withstand high temperatures for short periods of time, its performance varies with respect to different factors like thickness, color, location, etc. For this reason, it is not recommended that the product be exposed to sustained contact with a heat source, like curling irons, nor should hot saucepans, frying pans, deep-fat fryers, etc, be placed on it. The use of a hot pad or trivet is recommended in such situations.

### Sun Exposure

- Silestone quartz is not intended for outdoor use
- Avoid places with UV lighting

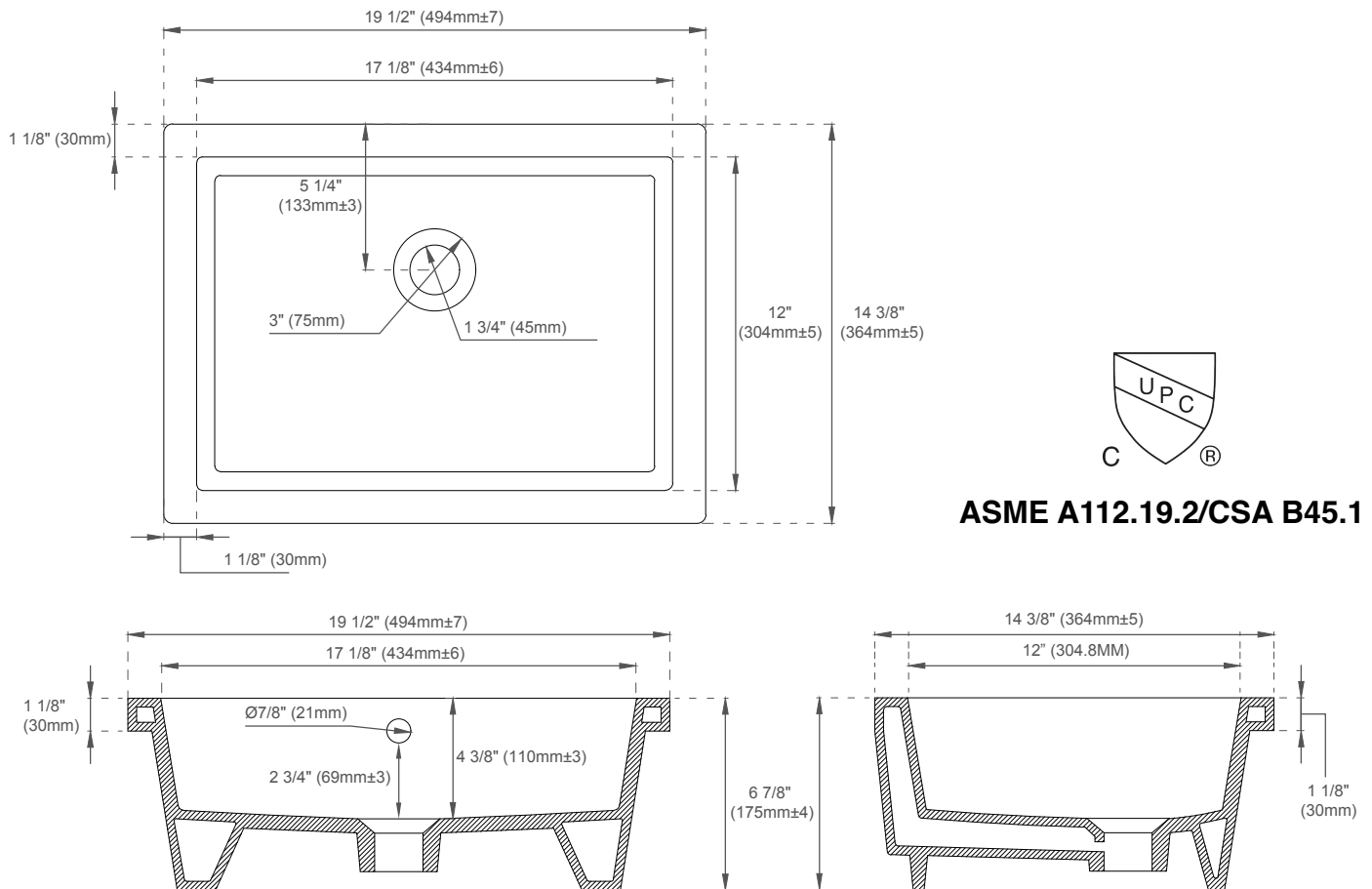
### Repairs

One of the most effective solutions for repairing scratches is to carefully fill them with grout or silica gel. Marble paste is also highly effective.

Because each type of damage needs to be carefully considered to determine the proper care method, we recommend consulting a professional.

# SNK-RF RECTANGULAR PORCELAIN UNDERMOUNT SINK

JAMES MARTIN  
VANITIES



## FEATURES:

- Designed to fit with all James Martin Vanities with a 3cm Silestone quartz top
- Sink Material: Porcelain
- Integrated overflow
- Sink shape: Rectangular with straight sides
- Sink ships in a separate carton from top and vanity
- Sink clips and hardware are not included. All mounting hardware ships with the 3cm quartz tops
- Drain included: NO
- Faucet included: NO
- Overflow cover: NO

## EXTERNAL DIMENSIONS:

Length: 19-1/2"  
Width: 14-3/8"  
Height: 6-7/8"

## INTERNAL BASIN DIMENSIONS:

Basin Length: 17-1/8"  
Basin Width: 12"  
Basin Depth: 4-3/8"  
Fits Drain Hole Size: 1-1/2"

**All dimensions are nominal**

Visit website for warranty and installation information  
[www.jamesmartinvanities.com](http://www.jamesmartinvanities.com)

Version: 202301