

---

## CHICAGO 60" SINGLE VANITY

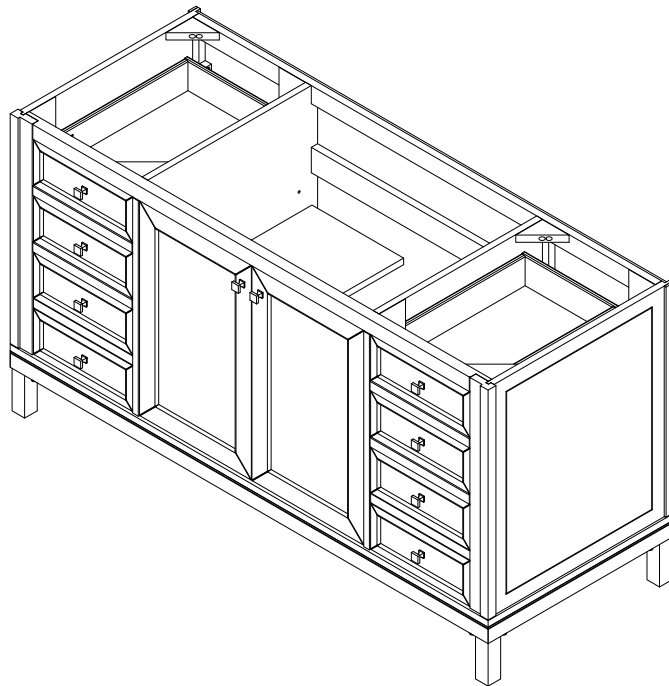
503-V60S-SC

503-V60S-GW

503-V60S-WLW

### ASSEMBLY INSTRUCTION

---



Thank you for choosing this quality product. Be sure to check all packaging materials carefully for small parts that may have loosened inside the carton during shipment and place on a non-abrasive surface.

#### **IMPORTANT NOTES:**

This vanity cabinet may be used freestanding, or may be mounted to a wall (floating).

If you are using this cabinet as a freestanding unit with the stainless steel legs, please follow the instructions on pages 06.

If you are using this cabinet as a wall mounted (floating) unit, please refer to pages 02 - 05.

#### **IMPORTANT STEPS BEFORE YOU BEGIN :**

- For your safety and to achieve the best possible results, James Martin Vanities recommends you consult with a professional contractor.
- These parts can be cumbersome and heavy for some people, therefore the assistance of two or more people is recommended in order to prevent personal injury and ensure the product is not damaged during the assembly process.
- Ensure the vanity cabinet is in place and has been properly installed to meet plumbing codes.
- Shut off the water supply. Water supply and drain access must be in place prior to installing the counter top and sink.
- Ensure the vanity cabinet is level.

# JAMES MARTIN VANITIES®

Paper : 2 of 6

## CHICAGO 60" SINGLE VANITY

503-V60S-SC

503-V60S-GW

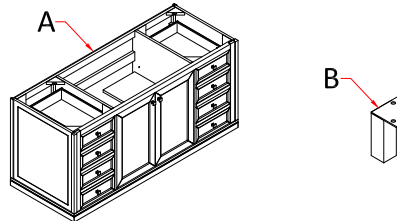
503-V60S-WLW

## ASSEMBLY INSTRUCTION

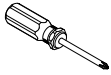
### PART LIST

A. [1] VANITY CABINET

B. [4] METAL FEET



### TOOLS NEEDED



Screwdriver  
(Not provided)



Drill  
(Not provided)



Level  
(Not provided)



Tape Measure  
(Not provided)



Pencil  
(Not provided)



Stud Finder  
(Not provided)

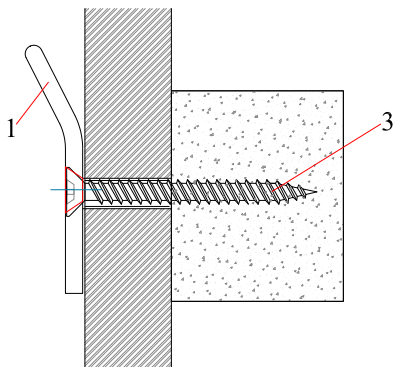
### HARDWARE LIST

NO.	SKETCH	DESCRIPTION	SPECIFICATION	QTY.
1		French Cleat	L 42 1/8"	1 set.
2		Hollow Wall Anchor	Ø 5/16" x 2 7/16"	10 pcs.
3		Flat-head Wood Screw	M5 x 2 23/64"	5 pcs.

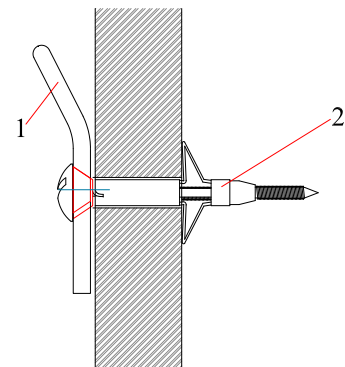
### ASSEMBLY INSTRUCTIONS

- **STUDS:** Use screws (3) to affix to studs. **IMPORTANT:** The Vanity Cabinet must be secured to at least **three studs**.
- **DRYWALL:** Drill pilot hole on each marking and then insert hollow wall anchor (2). Tighten the screws into the anchors while maintaining constant pressure on the anchor to set. Remove screws. Hold metal bracket over the inserted anchors and reinstall screws through the wall bracket holes and tighten until snug against wall.

#### STUDS



#### DRYWALL



For Warranty information, please visit [jamesmartinvanities.com](http://jamesmartinvanities.com)  
Customer Service: 512-795-4171

---

## CHICAGO 60" SINGLE VANITY

503-V60S-SC

503-V60S-GW

503-V60S-WLW

### ASSEMBLY INSTRUCTION

---

#### PREPARING THE WALL FOR INSTALLATION

1. Locate and mark the position of the wall's interior studs to which you will fasten the metal bracket. We recommend the use of an electronic stud finder to locate the studs.

(Alternately you may find studs by listening for a solid sound as you knock on the wall)

#### **SPECIAL NOTE 1:**

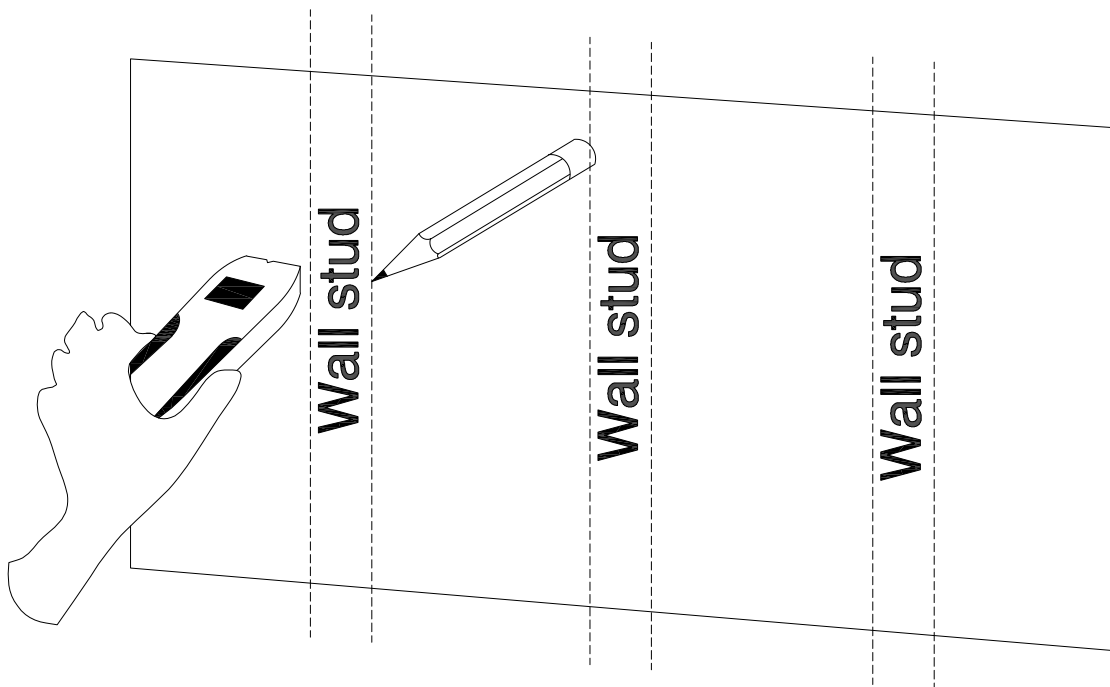
French Cleat must be affixed to 3 wall studs using wood screws (3).

If the studs in your bathroom do not line up to the mounting location for your vanity, additional wood blocking can be installed between the studs using standard 2 x 4 lumber.

#### **SPECIAL NOTE 2:**

To ensure a secure fit for both the Vanity use the wall anchors (2) for all holes on the French Cleat (1) that don't align with studs.

**IMPORTANT:** James Martin Vanities recommended you always consult with professional installers and contractors regarding the correct installation of our products.



## CHICAGO 60" SINGLE VANITY

503-V60S-SC

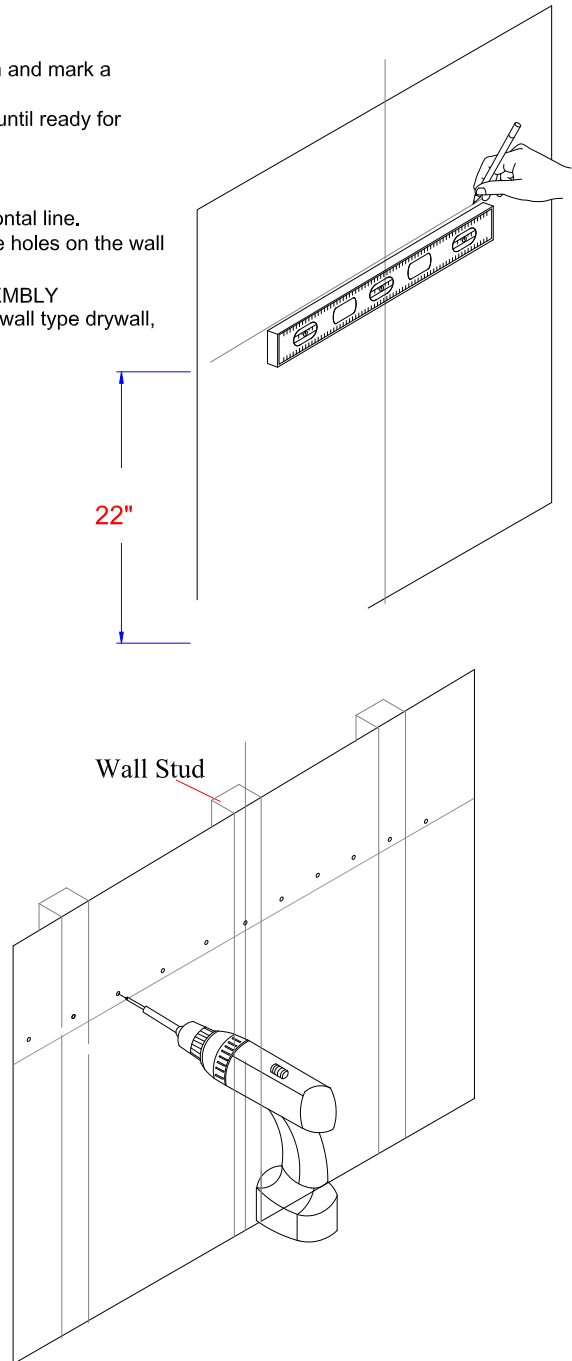
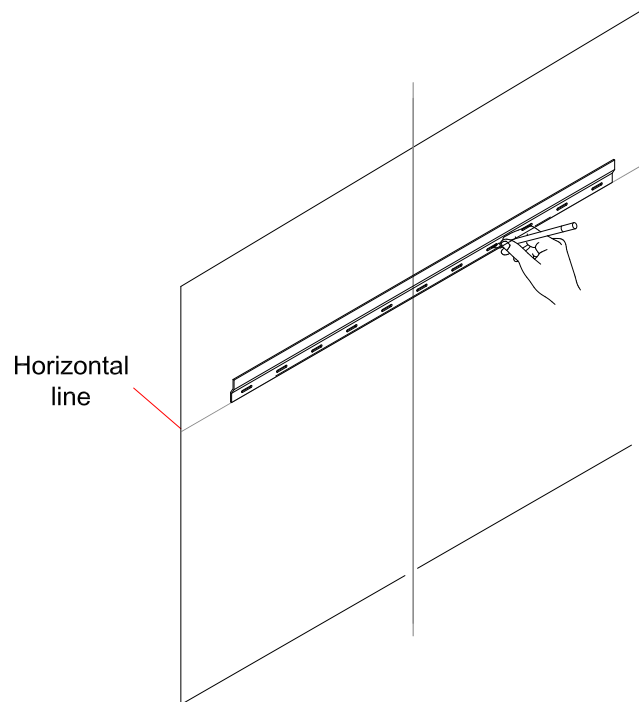
503-V60S-GW

503-V60S-WLW

## ASSEMBLY INSTRUCTION

### PREPARING THE WALL FOR INSTALLATION

1. Carefully place the vanity cabinet (A) against the wall to the desired location and mark a center line on the wall by a pencil.
2. Move the vanity cabinet (A) away from the wall and place on a soft surface until ready for installation.
3. Draw one horizontal line across the center line:  
- 22" from the floor
4. Moving left and right of the center line, locate the wall studs along the horizontal line.
5. Place the French Cleat (1) along the horizontal line, as shown, and mark the holes on the wall with a pencil.
6. Drill holes in each marked location with a depth no less than  $\frac{1}{2}$ ". See "ASSEMBLY INSTRUCTIONS BY WALL TYPE" for mounting instructions based on your wall type drywall, or drywall and studs.



## CHICAGO 60" SINGLE VANITY

503-V60S-SC

503-V60S-GW

503-V60S-WLW

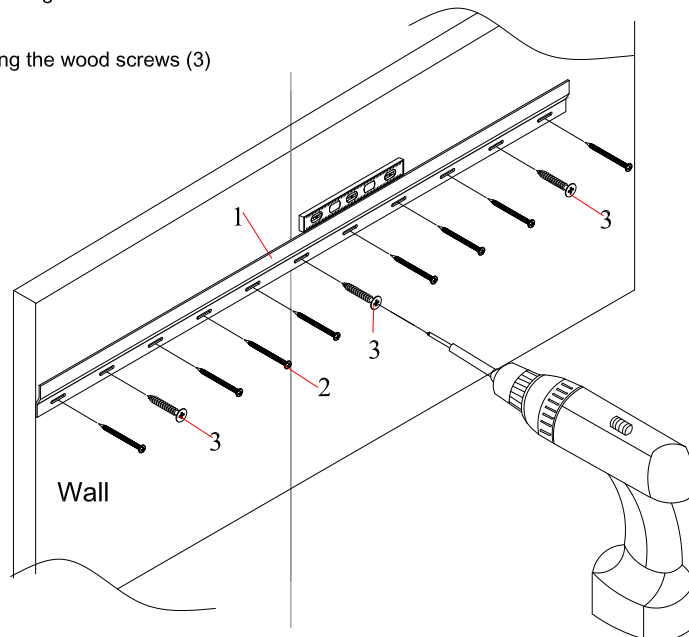
## ASSEMBLY INSTRUCTION

### INSTALLING THE BRACKET

1. Attach French Cleat (1) to the wall using the French Cleat pre-marked location on the horizontal line and in accordance with the proper wall type for each hole. Ensure that the straight edge of the cleat is along the marked line as shown.

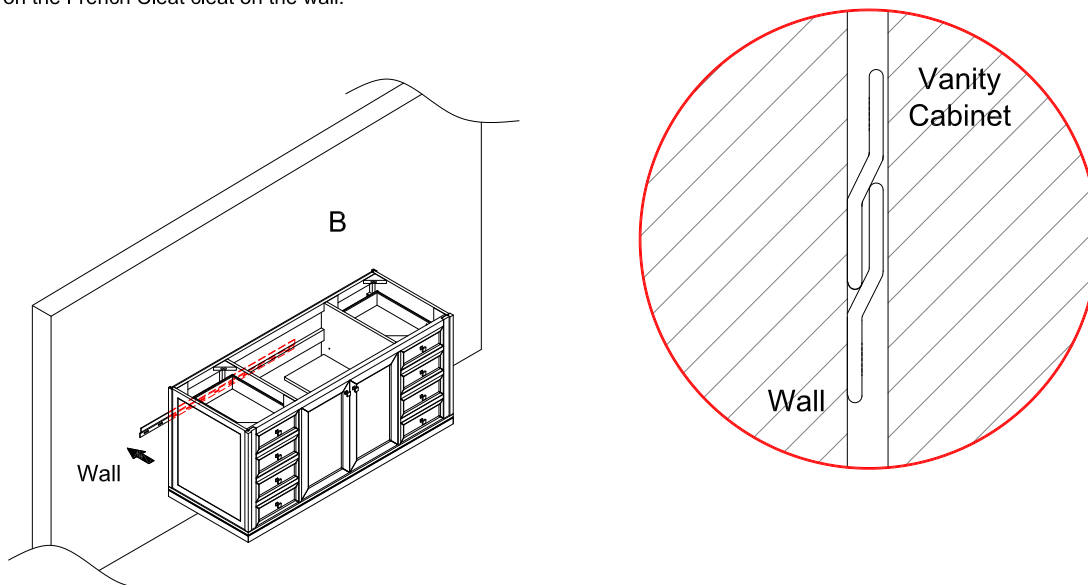
NOTE: For proper installation

- Attach the French Cleat (1) to at **least 3 studs** using the wood screws (3)



### INSTALLING VANITY

1. Using at least two people, carefully lift the vanity cabinet (A) so the French Cleat on the back of the vanity slides over and rests on the French Cleat cleat on the wall.



## CHICAGO 60" SINGLE VANITY



503-V60S-SC



503-V60S-GW

503-V60S-WLW

### ASSEMBLY INSTRUCTION

## HARDWARE LIST

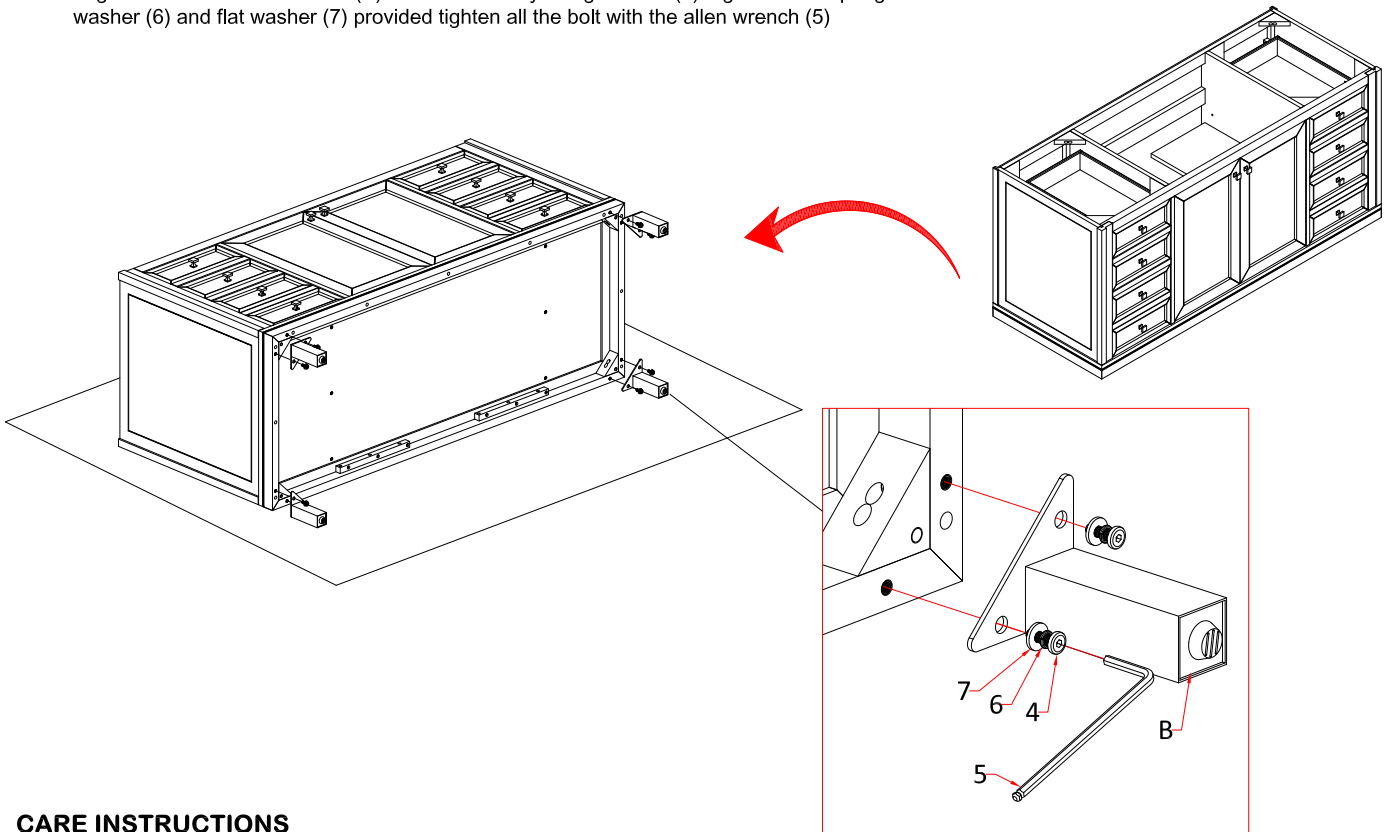
NO.	SKETCH	DESCRIPTION	SPECIFICATION	QTY.
4		Bolt	1/4" x 13/16"	8 pcs.
5		Allen Wrench	L 4 5/16"	1 pc.

NO.	SKETCH	DESCRIPTION	SPECIFICATION	QTY.
6		Spring Washer	Ø 3/8"	8 pcs.
7		Flat Washer	Ø 5/8"	8 pcs.

## ASSEMBLY INSTRUCTIONS

### INSTALLING FEET

1. Place the vanity cabinet down on a blanket or other soft material to prevent scratching.
2. Align and install the metal feet (B) to the cabinet by using the bolt (4) together with spring washer (6) and flat washer (7) provided tighten all the bolt with the allen wrench (5)



## CARE INSTRUCTIONS

1. Dust often using a clean, soft, dry and lint-free cloth.
2. Blot spills immediately and wipe with a clean, damp, cloth.
3. We do not recommend the use of chemical cleansers, abrasives or furniture polish on our lacquered finish. Product can be cleaned using a damp cloth soaked in warm soapy water followed by wiping clean with a dry lint-free cloth.

For Warranty information, please visit [jamesmartinvanities.com](http://jamesmartinvanities.com)

Customer Service: 512-795-4171