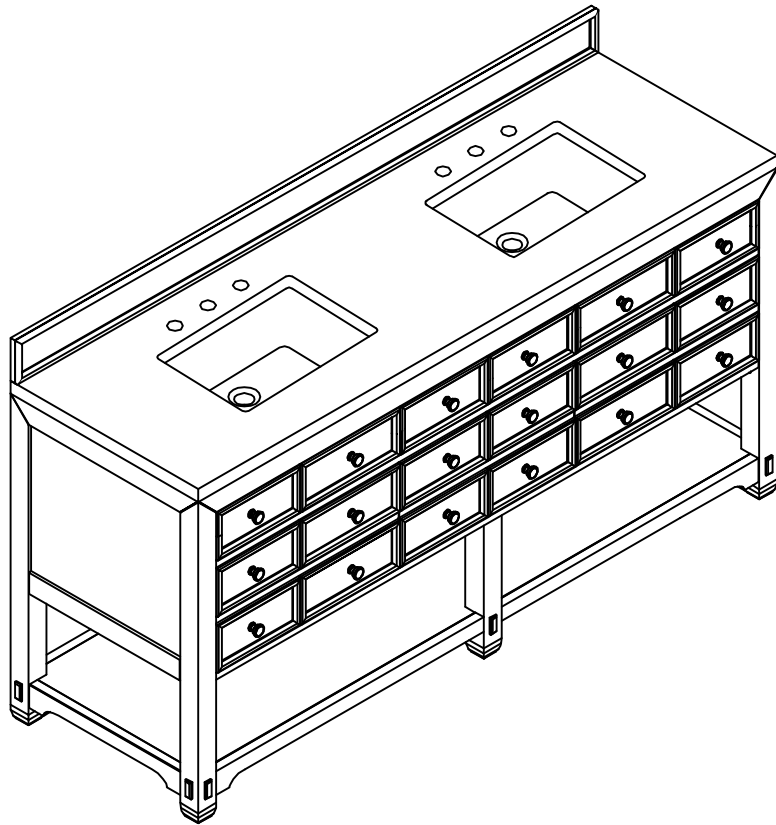


# JAMES MARTIN

## VANITIES

Malibu 72" Double Vanity  
505-V72-AMB



Top sold separately

### Features and Materials

Solids: Poplar  
Veneers: Birch  
Panels: Plywood  
Installation Type: Floor Standing  
Number of Basins: Two, with Optional 3cm Top  
Vanity Top : Not Included - Optional 3cm Tops Available with Sinks  
Wooden Backsplash  
Bamboo Drawer Organizer  
Number of Drawers: Five  
Number of Tip Outs: Two  
Assembly Type: Installation of Optional 3cm Top  
Drawer Box Material and Construction: Plywood/English Dovetail Joinery  
Hardware Material and Finish: Zinc Alloy in Matte Black  
Fits Drain Hole Size: 1 3/4"  
Full Extension, Soft Close Glides  
Aluminum Laminate Drawer Liners  
Adjustable Levelers

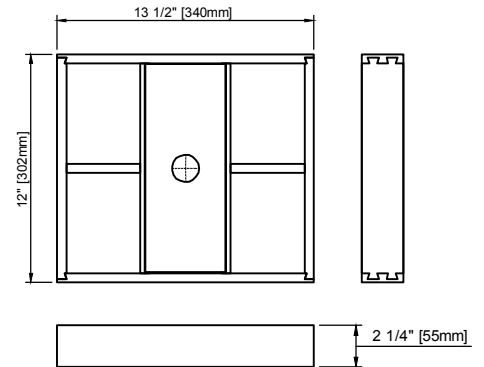
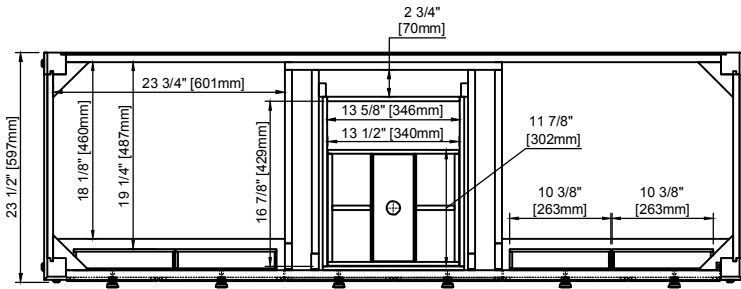
### Dimension

Width: 72"  
Depth: 23 -1/2"  
Height: 34-7/8"  
Rough-In Height: 21"

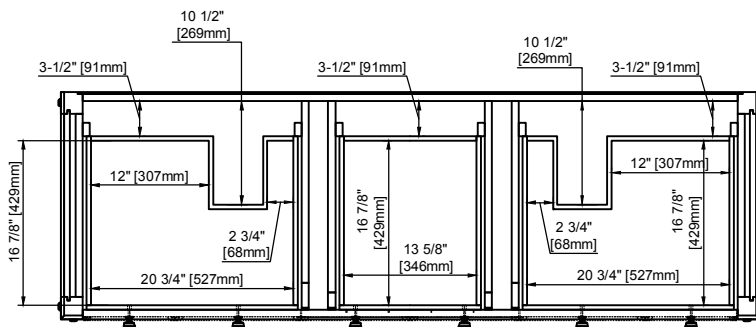
Visit website for warranty and installation information  
[www.jamesmartinvanities.com](http://www.jamesmartinvanities.com)

# JAMES MARTIN VANITIES

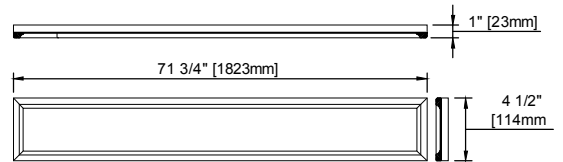
Malibu 72" Double Vanity  
505-V72-AMB



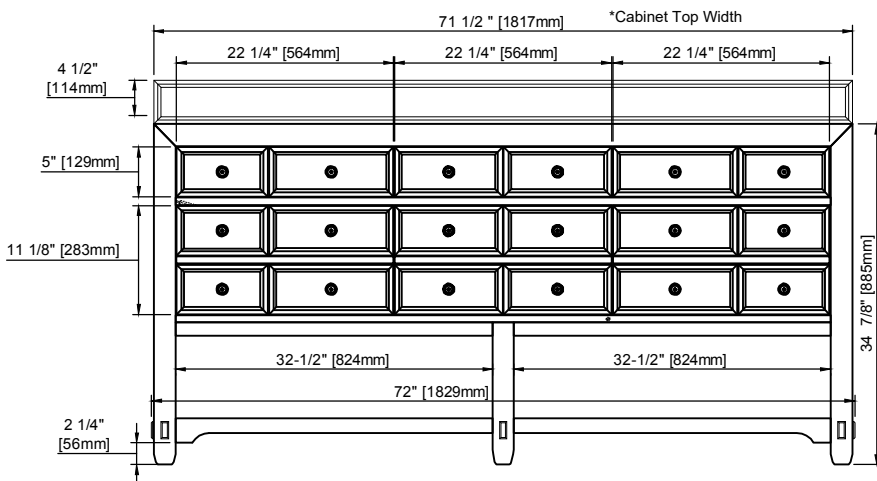
Organizer



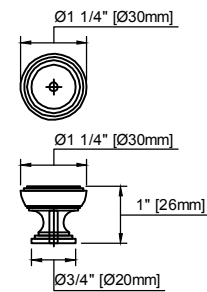
Top View



Backsplash -not to scale



Front View



Knobs/Pulls

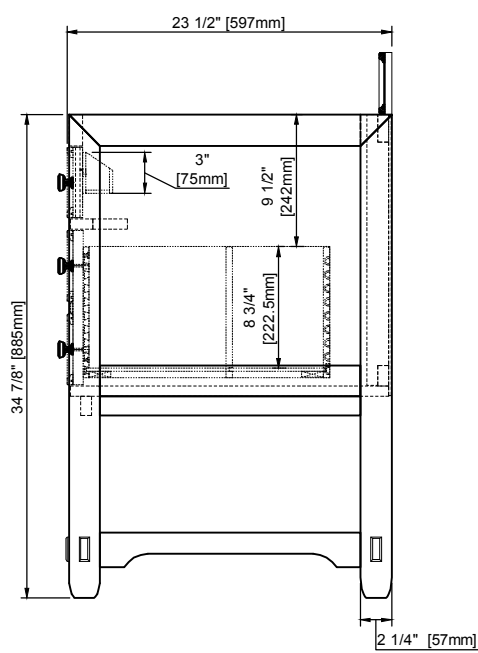
All dimensions are nominal  
Diagrams are of cabinet only-James Martin Optional Countertops and sinks are not shown

Visit website for warranty and installation information  
[www.jamesmartinvanities.com](http://www.jamesmartinvanities.com)

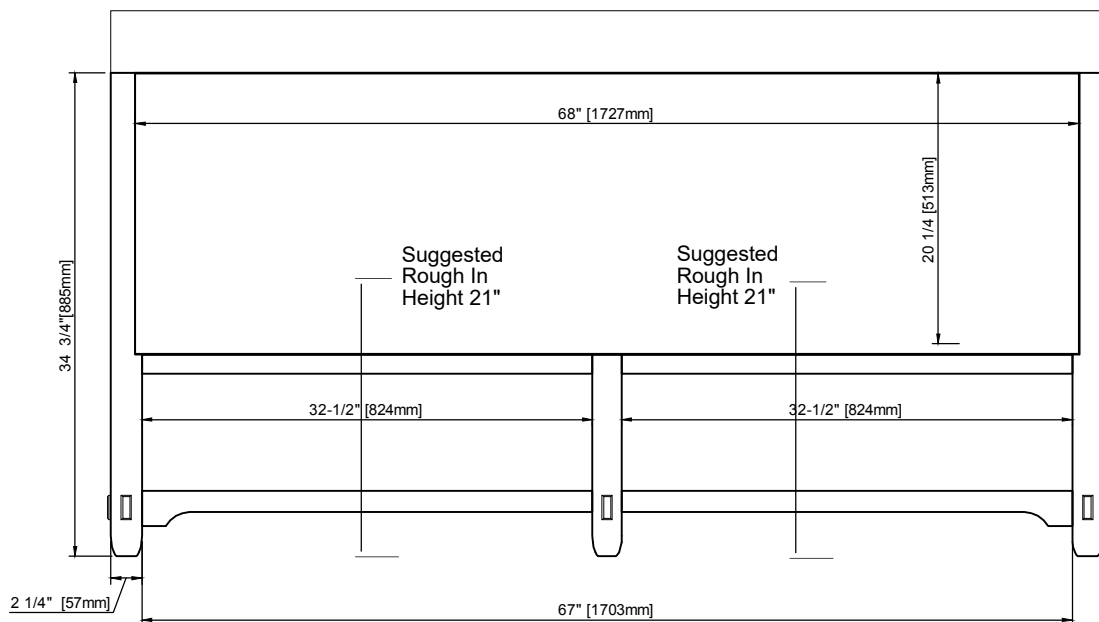
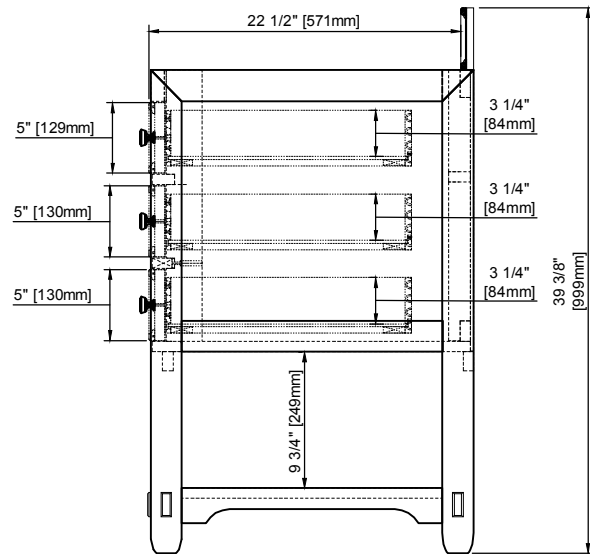
# JAMES MARTIN VANITIES

Malibu 72" Double Vanity

505-V72-AMB



Side View



Back View

All dimensions are nominal  
Diagrams are of cabinet only-James Martin Optional Countertops and sinks are not shown

Visit website for warranty and installation information  
[www.jamesmartinvanities.com](http://www.jamesmartinvanities.com)