

Columbia Series Vanity: 883-V31.5-AGR 883-V31.5-GW 883-V31.5-LTO  
 Columbia Series Metal Bases: 883-B31.5-BNK 883-B31.5-MBK 883-B31.5-RGD

### Assembly/Installation Instructions

**For your safety and to achieve the best possible installation of this cabinet, James Martin Vanities always recommends you consult with a professional contractor. Two people are required for the assembly and installation of these cabinets.**

**Important Notes:** This vanity cabinet may be used freestanding, or may be mounted to a wall (floating). If you are using this cabinet as a freestanding unit with the stainless steel base, please follow the instructions on pages 06 - 11 \*.

If you are using this cabinet as a wall mounted (floating) unit, please refer to pages 01 - 05 \*.

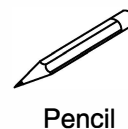
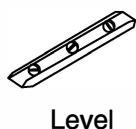
**Door Pulls:**

Three colors of door pulls (BNK Brushed Nickel) / (MBK Matte Black) / (RGD Radiant Gold) are included with the cabinet, so you may choose the color which best suits your room.

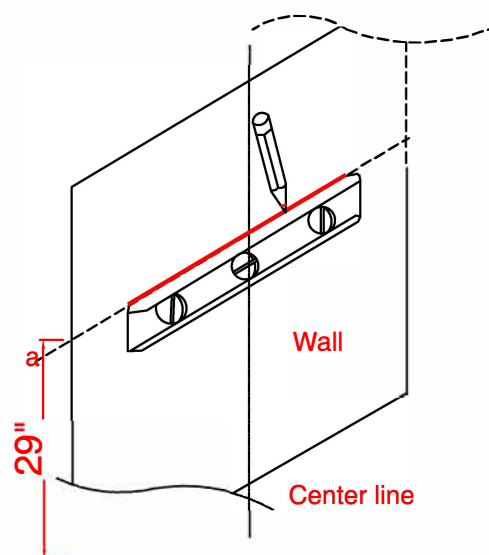
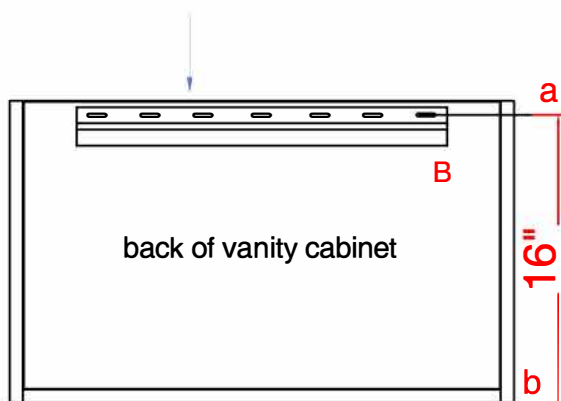
**Wood Shelf for Metal Base:**

The wood shelf used on the optional metal base, ships in a separate carton.

**Materials for Installation:**



A pre-attached metal mounting (French Cleat) brackets



**Step 1 Notes:**

The metal mounting brackets have been pre-installed to the backside of the cabinet 16" from the bottom of the cabinet, remove one piece from the back of the cabinet .

**Step 2 Notes:**

Draw a horizontal line on the wall at your desired height. For this cabinet, most people use a height of 29"

Columbia Series Vanity: 883-V31.5-AGR 883-V31.5-GW 883-V31.5-L TO  
Columbia Series Metal Bases: 883-B31.5-BNK 883-B31.5-MBK 883-B31.5-RGD  
Assembly/Installation Instructions

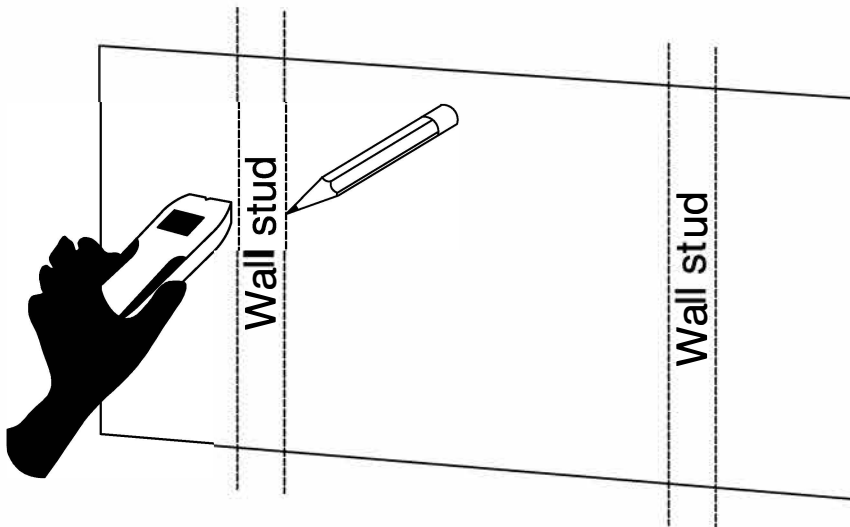
**Materials  
for  
Installation:**



Stud Finder



Pencil



**Step 3 Notes:**

Locate and mark the position of the wall's interior studs to which you will fasten the metal bracket.

We recommend the use of an electronic stud finder to locate the studs.

(Alternately, you may find studs by listening for a solid sound as you knock on the wall)

**Special Note 1:**

If the studs in your bathroom do not line up to the mounting location for your vanity, additional wood blocking can be installed between the studs using standard 2 x 4 lumber.

**Special Note 2:**

The bracket must be installed into 2 studs or wood blocking. The remaining screws should be secured into drywall using the anchors provided.

**IMPORTANT:**

James Martin Vanities recommended you always consult with professional installers and contractors regarding the correct installation of our products.

Columbia Series Vanity: 883-V31.5-AGR 883-V31.5-GW 883-V31.5-L TO  
 Columbia Series Metal Bases: 883-B31.5-BNK 883-B31.5-MBK 883-B31.5-RGD  
 Assembly/Installation Instructions

**Materials  
 for  
 Installation:**



Drill



Pencil

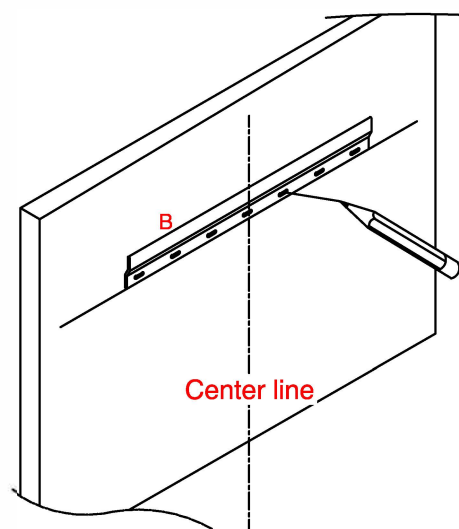


Hammer

**A**=7PCS Screws for Bracket Ø4\*40

**B**=1PC Metal Bracket (27 1/2" 700mm)

**C**=7PCS Drywall Anchors (optional)\* Ø8\*38

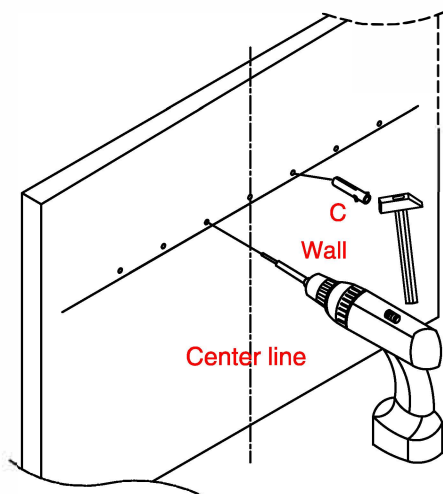


**Step 4 Notes:**

After you have located the wall studs, position the metal bracket so the holes align with the center points of the studs. Mark these positions with a pencil.

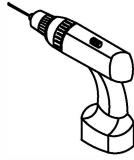
**Step 5 Notes:**

Drill holes for the screws in the positions you have marked with the pencil. Drill the holes' depth no less than 1 1/2", insert "C" to the holes by using hammer.



Columbia Series Vanity: 883-V31.5-AGR 883-V31.5-GW 883-V31.5-L TO  
Columbia Series Metal Bases: 883-B31.5-BNK 883-B31.5-MBK 883-B31.5-RGD  
Assembly/Installation Instructions

**Materials  
for  
Installation:**

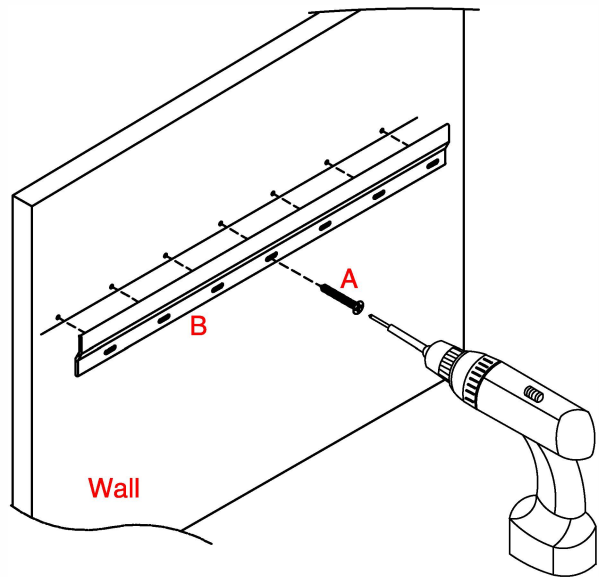


Drill

**Step 6 Notes:**

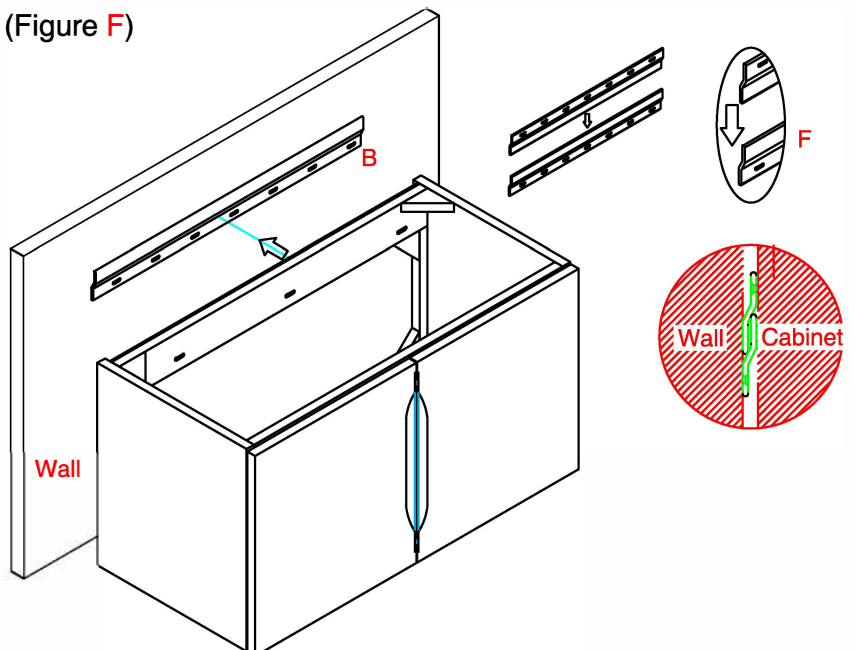
Attach the metal bracket **B** to the Wall using the screws **A** included in the red hardware bag.

\*Use hardware **C** (drywall anchors) if wall studs are not in the correct positions.



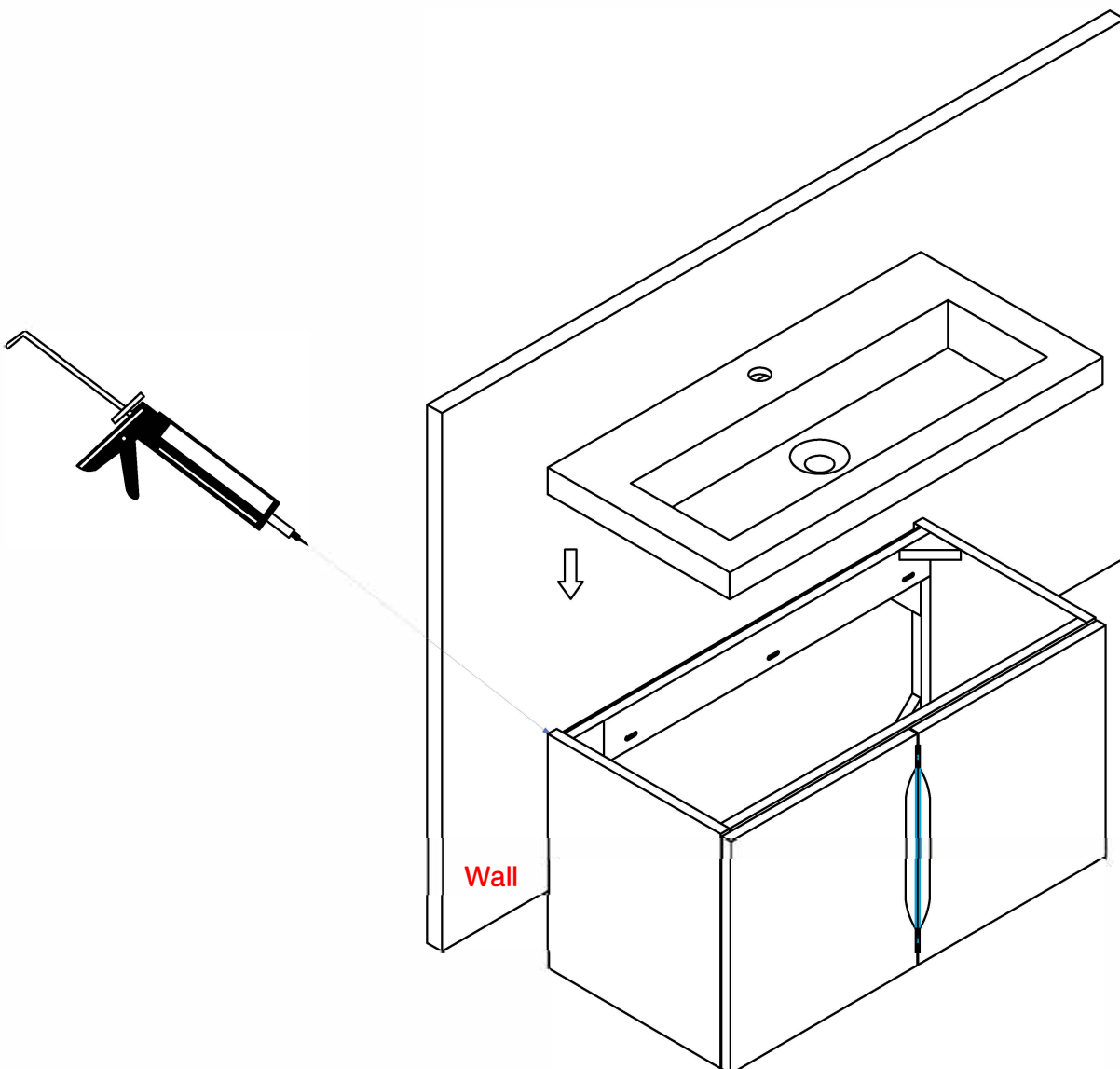
**Step 7 Notes:**

Hang the cabinet on the metal bracket (Figure F)



Columbia Series Vanity: 883-V31.5-AGR 883-V31.5-GW 883-V31.5-L TO  
Columbia Series Metal Bases: 883-B31.5-BNK 883-B31.5-MBK 883-B31.5-RGD  
Assembly/Installation Instructions

**Materials  
for  
Installation:**



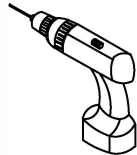
**Step 8 Notes:**

Properly align and secure the countertop to the cabinet with high quality adhesive.

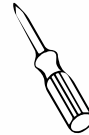
Columbia Series Vanity: 883-V31.5-AGR 883-V31.5-GW 883-V31.5-L TO  
Columbia Series Metal Bases: 883-B31.5-BNK 883-B31.5-MBK 883-B31.5-RGD  
Assembly/Installation Instructions

For your safety and to achieve the best possible installation of this cabinet,  
James Martin Vanities always recommends you consult with a professional contractor.  
Two people are required for the assembly and installation of these cabinets.

**Materials  
for  
Installation:**



Drill

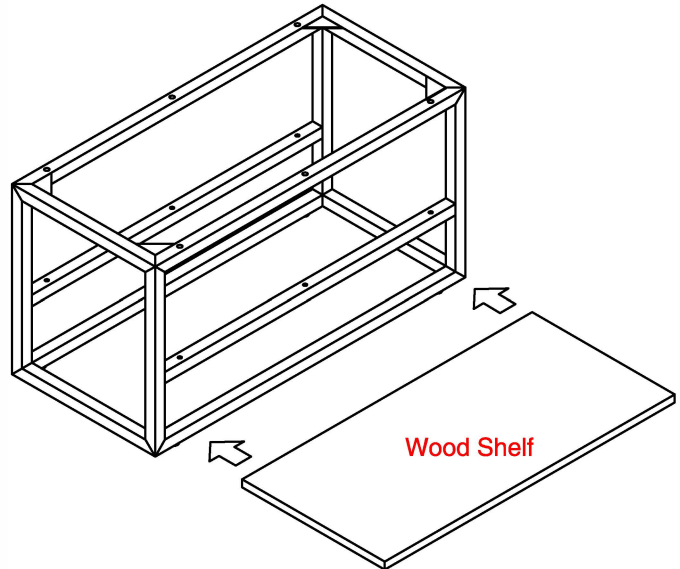


Screw driver

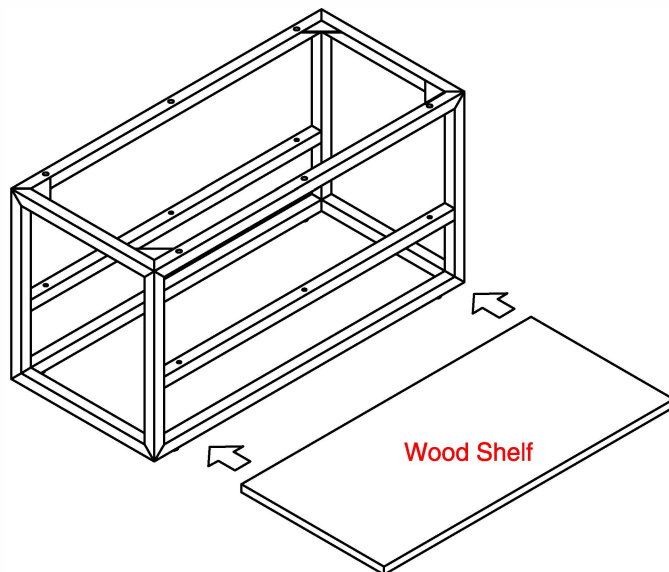
**Warning:** To prevent accidental tip-over of these cabinets, you must follow these steps.

**Step 1b Notes:**

Unpack the metal base and wood shelf and place the shelf into position resting on the lower crossbars.



**E=6PCS** Screw Ø4\*35



**Step 2b Notes:**

Insert and secure the screws (E) from underneath the metal base using a screw driver or an electric drill.

Columbia Series Vanity: 883-V31.5-AGR 883-V31.5-GW 883-V31.5-L TO  
Columbia Series Metal Bases: 883-B31.5-BNK 883-B31.5-MBK 883-B31.5-RGD  
Assembly/Installation Instructions

Page: 7 of 11

**Step 3b Notes:**

Place the vanity cabinet upside down on a blanket or other soft material, to prevent scratching.

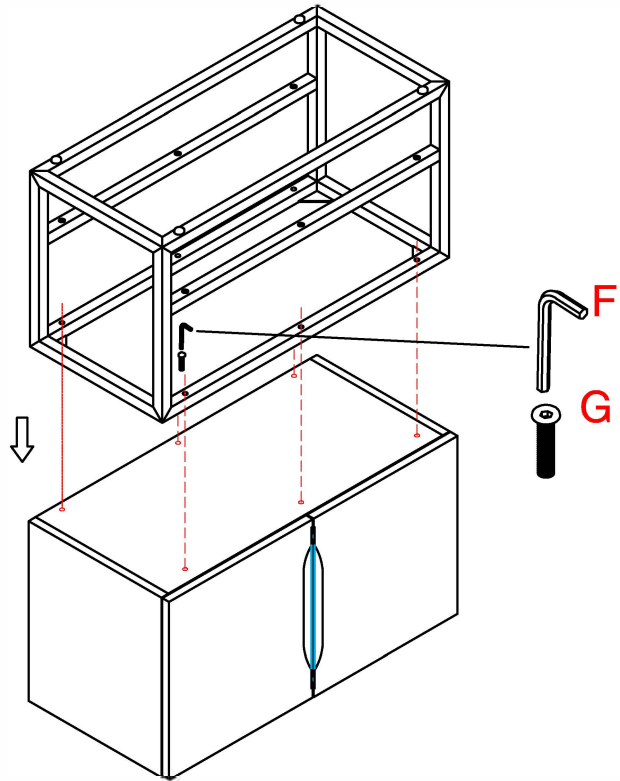
**Step 4b Notes:**

Attach the metal bolts (G) to the bottom of the vanity cabinet. Secure the bolts by turning the Allen Wrench (F)

F = 1PC Allen Wrench (#4)

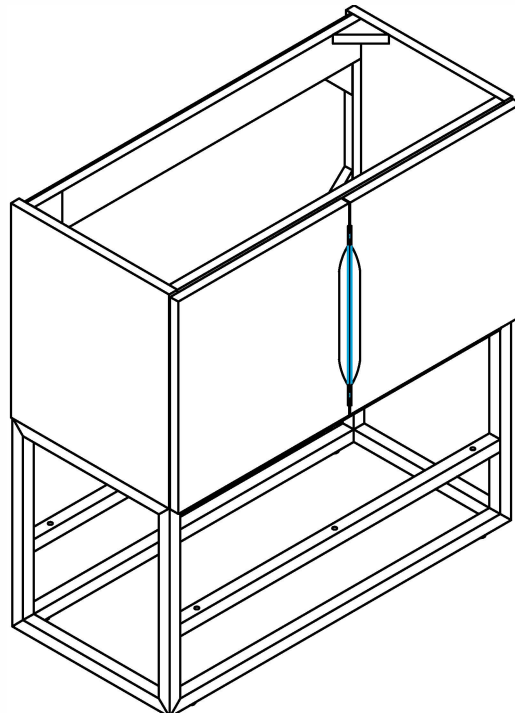


G = 6PCS Bolts 1/4 x 1 1/2"



**Step 5b Notes:**

Once the metal base has been safely and securely attached to the vanity cabinet, you may return the cabinet to the upright position.

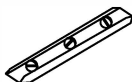


Columbia Series Vanity: 883-V31.5-AGR 883-V31.5-GW 883-V31.5-L TO  
Columbia Series Metal Bases: 883-B31.5-BNK 883-B31.5-MBK 883-B31.5-RGD  
Assembly/Installation Instructions

**Materials  
for  
Installation:**



Drill



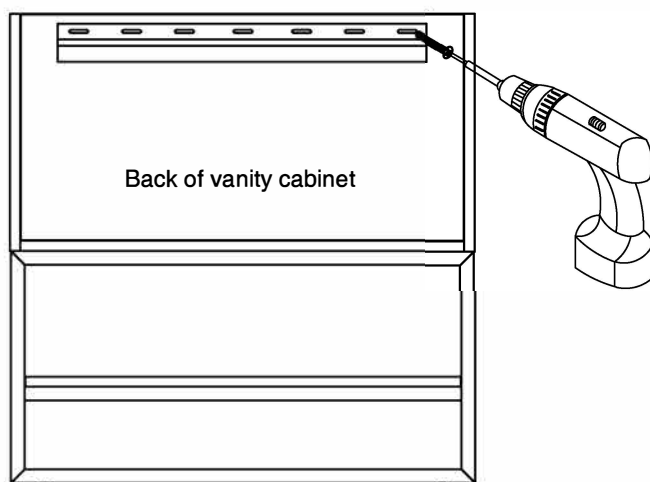
Level



Pencil

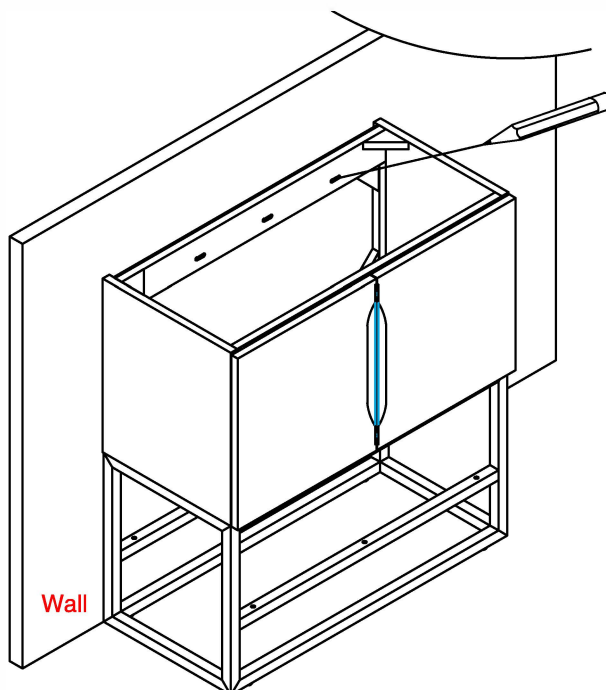
**Step 6b Notes:**

Remove the pre-attached metal mounting (French Cleat) brackets.



**Step 7b Notes:**

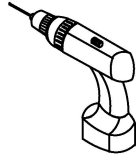
Place the cabinet against the wall, mark the positions with a pencil through the pre-drilled holes on the back rail.





Columbia Series Vanity: 883-V31.5-AGR 883-V31.5-GW 883-V31.5-L TO  
Columbia Series Metal Bases: 883-B31.5-BNK 883-B31.5-MBK 883-B31.5-RGD  
Assembly/Installation Instructions

**Materials  
for  
Installation:**



Drill

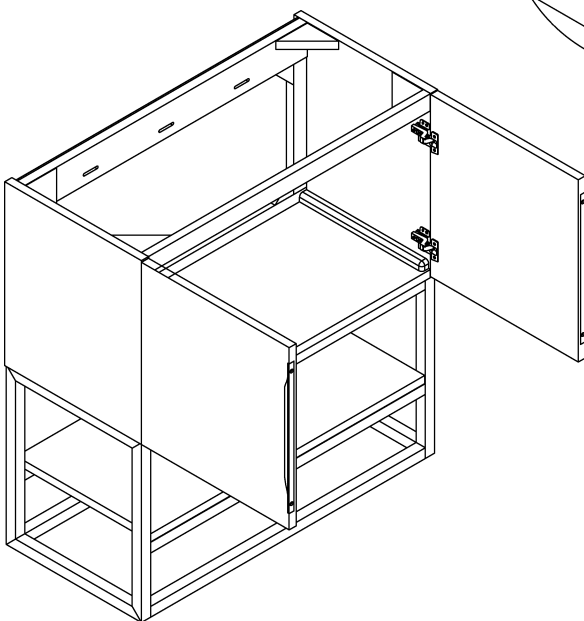
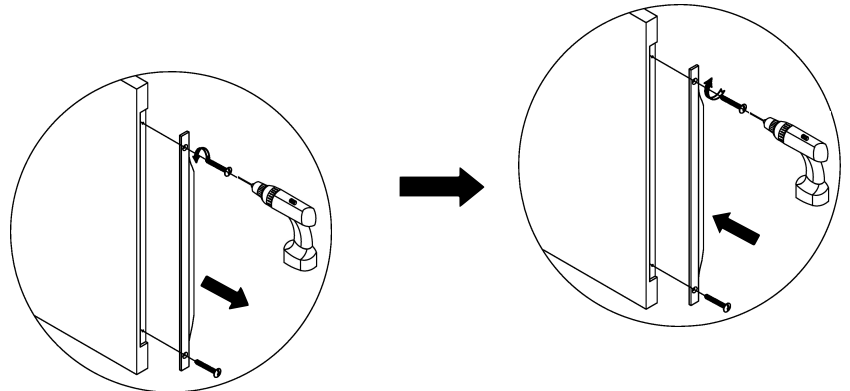
**Step 8b Notes:**

Note: This vanity base comes with three different handle options. Two sets of handles (BB) are packaged separately in the box. To switch handles, simply remove the existing handles and attach the other finish, as illustrated in the diagram.



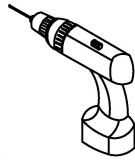
x 3

Handle



Columbia Series Vanity: 883-V31.5-AGR 883-V31.5-GW 883-V31.5-L TO  
 Columbia Series Metal Bases: 883-B31.5-BNK 883-B31.5-MBK 883-B31.5-RGD  
 Assembly/Installation Instructions

**Materials  
 for  
 Installation:**



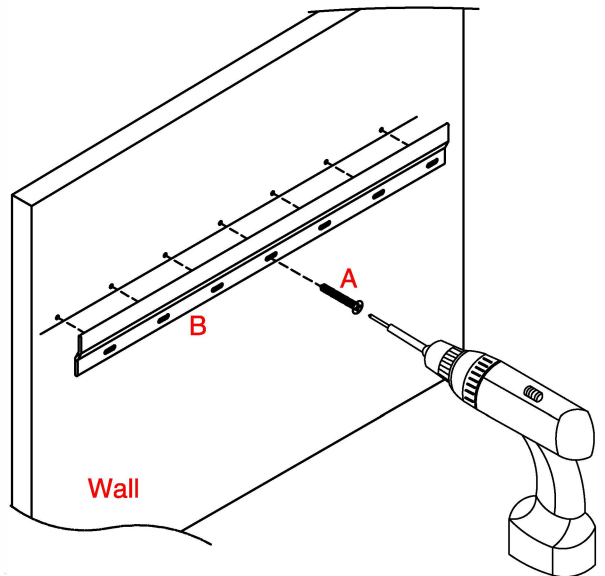
Drill



Hammer

**Step 9b Notes:**

Drill holes for the screws in the positions you have marked with the pencil. Drill the holes' depth no less than 1 1/2", insert hardware **C** (drywall anchors) to the holes by using hammer if wall studs are not in the correct positions.

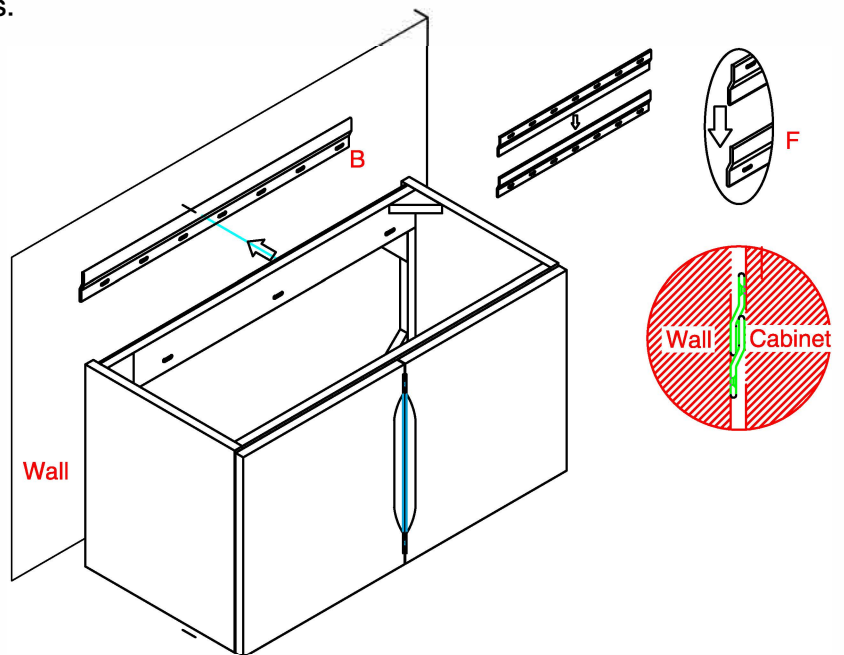


**C**=3PCS Drywall Anchors (optional)\* Ø8\*38



**Step 10b Notes:**

Secure the cabinet to the wall using hardware **H** (screws) and Flat Washer **J** for wall studs.



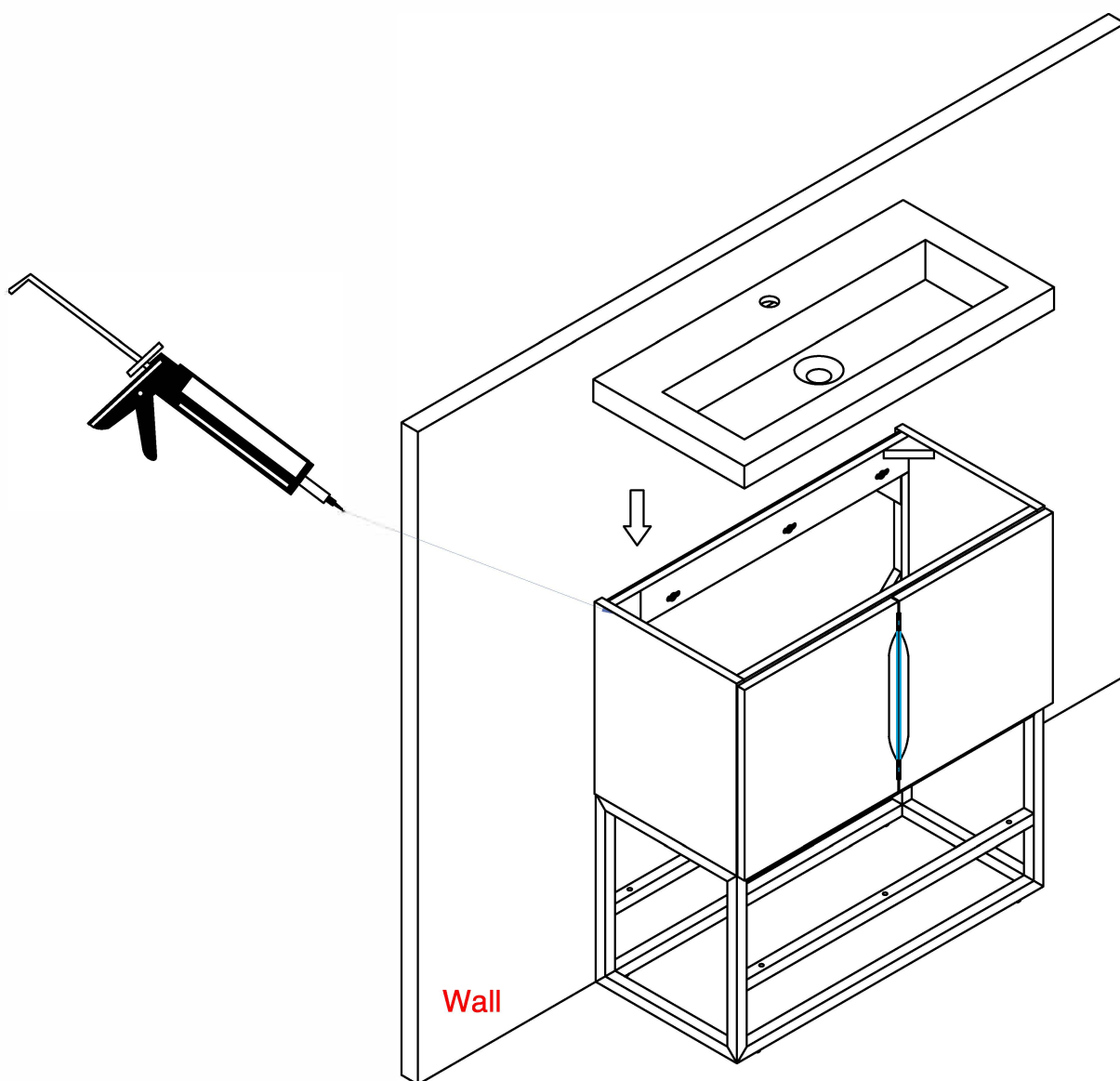
**H**=3PCS Screw Ø4\*60

**J**=3PCS Flat Washer Ø11



Columbia Series Vanity: 883-V31.5-AGR 883-V31.5-GW 883-V31.5-L TO  
Columbia Series Metal Bases: 883-B31.5-BNK 883-B31.5-MBK 883-B31.5-RGD  
Assembly/Installation Instructions

**Materials  
for  
Installation:**



**Step 10b Notes:**

Properly align and secure the countertop to the cabinet with high quality adhesive.