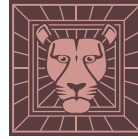


72"

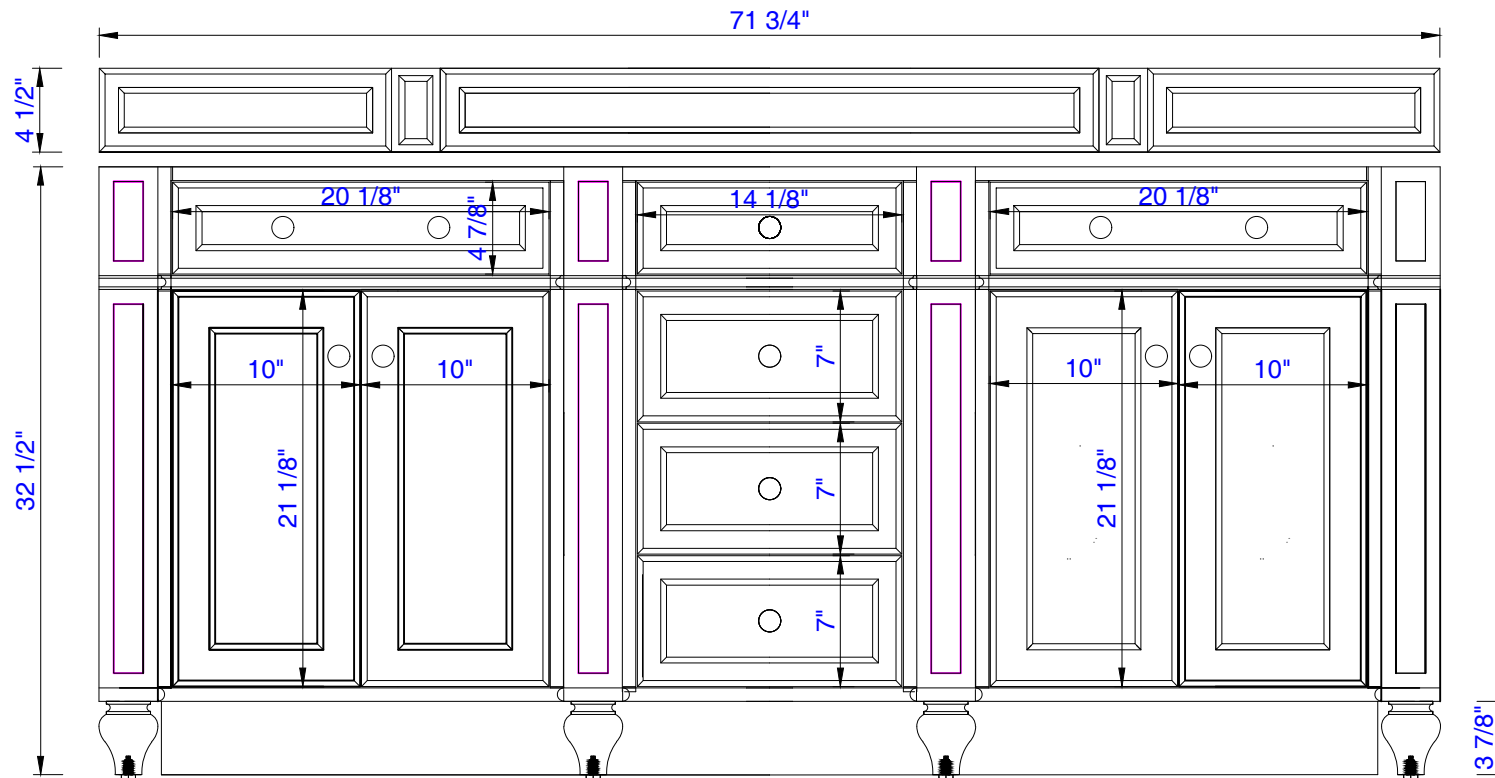
Item Number:  
157-V72-BW  
157-V72-SBR  
157-V72-VV  
157-V72-WW

JAMES MARTIN



VANITIES™

Bristol 72" Double Vanity Cabinet  
Diagrams with Dimensions  
page 01 of 03



NOTE ONE: Countertops are not shown in these diagrams .(Cabinet Only)

NOTE TWO: Wood Backsplash (Shown) is designed for the molding detail to align with sinks in James Martin's Optional Countertops.

Customers' own countertops and sinks may align differently.

Please consult our website for Countertop Diagrams: [www.jamesmartinvanities.com](http://www.jamesmartinvanities.com)

Version:202107

72"

Item Number:  
157-V72-BW  
157-V72-SBR  
157-V72-VV  
157-V72-WW

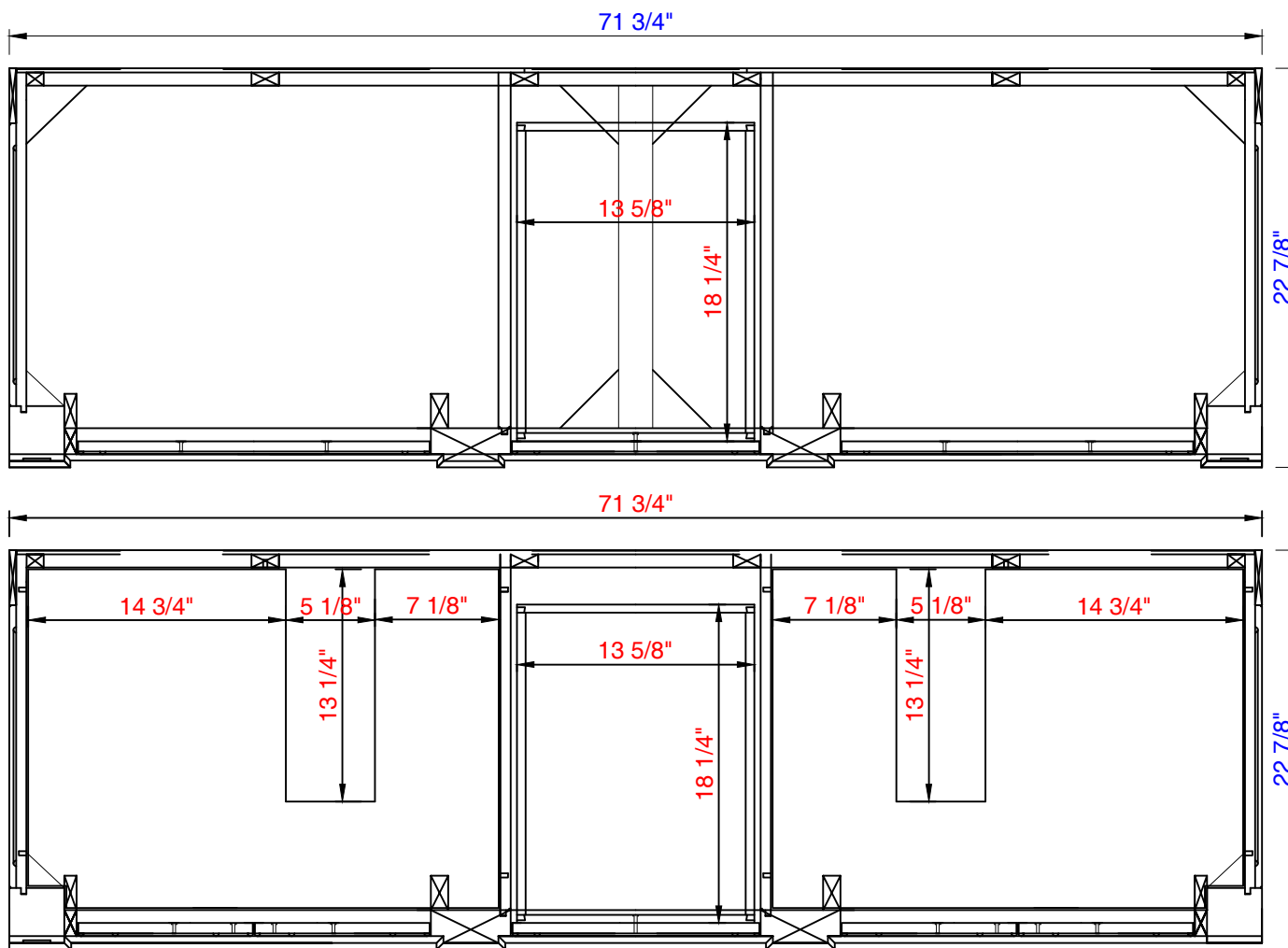
JAMES MARTIN



VANITIES™

Bristol 72" Double Vanity Cabinet

Diagrams with Dimensions  
page 02 of 03



NOTE ONE: Countertops are not shown in these diagrams .(Cabinet Only)

NOTE TWO: Internal Shelves (Shown) are designed to align with sinks in James Martin's Optional Countertops.

Customers' own countertops and sinks may align differently, and modification may be required.

Please consult our website for Countertop Diagrams: [www.jamesmartinvanities.com](http://www.jamesmartinvanities.com)

Version:202107

72"

Item Number:  
157-V72-BW  
157-V72-SBR  
157-V72-VV  
157-V72-WW

JAMES MARTIN

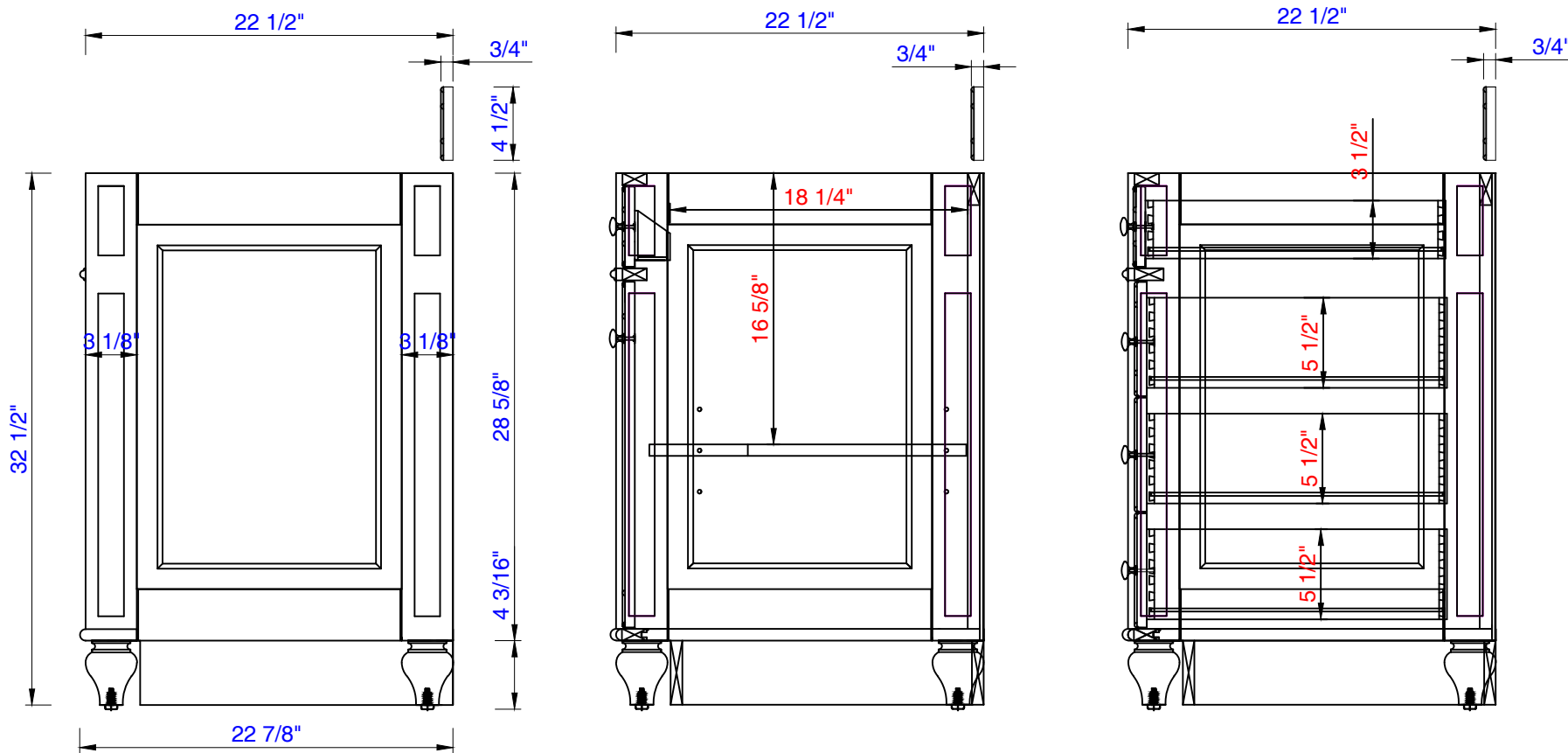


VANITIES™

Bristol 72" Double Vanity Cabinet

Diagrams with Dimensions

page 03 of 03



NOTE ONE: Countertops are not shown in these diagrams .(Cabinet Only)

NOTE TWO: Wood Backsplash (Shown) is designed for the molding detail to align with sinks in James Martin's Optional Countertops.

Customers' own countertops and sinks may align differently.

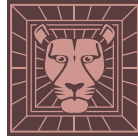
Please consult our website for Countertop Diagrams: [www.jamesmartinvanities.com](http://www.jamesmartinvanities.com)

Version:202107

1829mm

Item Number:  
157-V72-BW  
157-V72-SBR  
157-V72-VV  
157-V72-WW

JAMES MARTIN

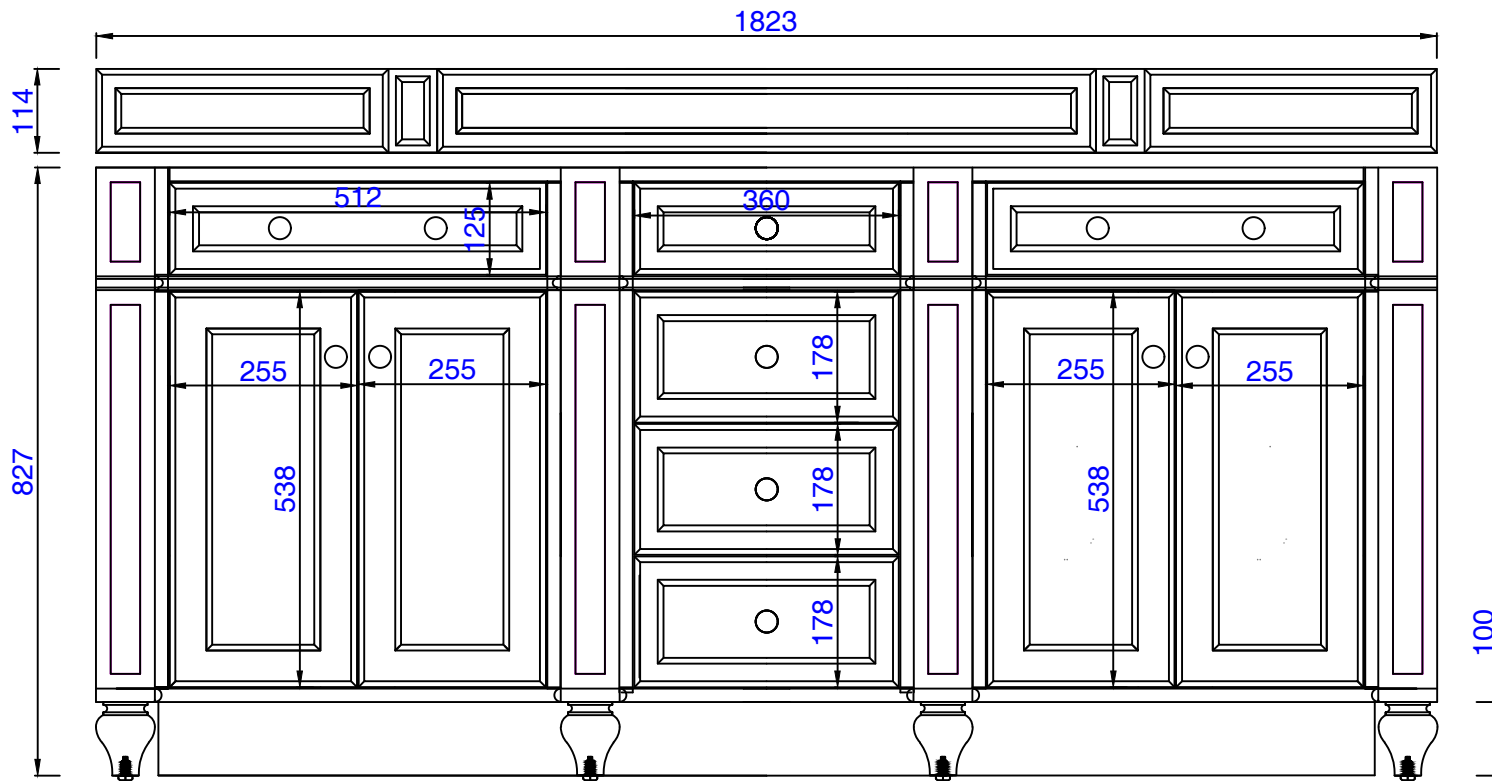


VANITIES™

Bristol 1829mm Double Vanity Cabinet

Diagrams with Dimensions

page 01 of 03



NOTE ONE: Countertops are not shown in these diagrams .(Cabinet Only)

NOTE TWO: Wood Backsplash (Shown) is designed for the molding detail to align with sinks in James Martin's Optional Countertops.

Customers' own countertops and sinks may align differently.

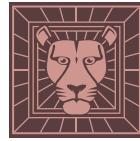
Please consult our website for Countertop Diagrams: [www.jamesmartinvanities.com](http://www.jamesmartinvanities.com)

Version:202107

1829mm

Item Number:  
157-V72-BW  
157-V72-SBR  
157-V72-VV  
157-V72-WW

JAMES MARTIN

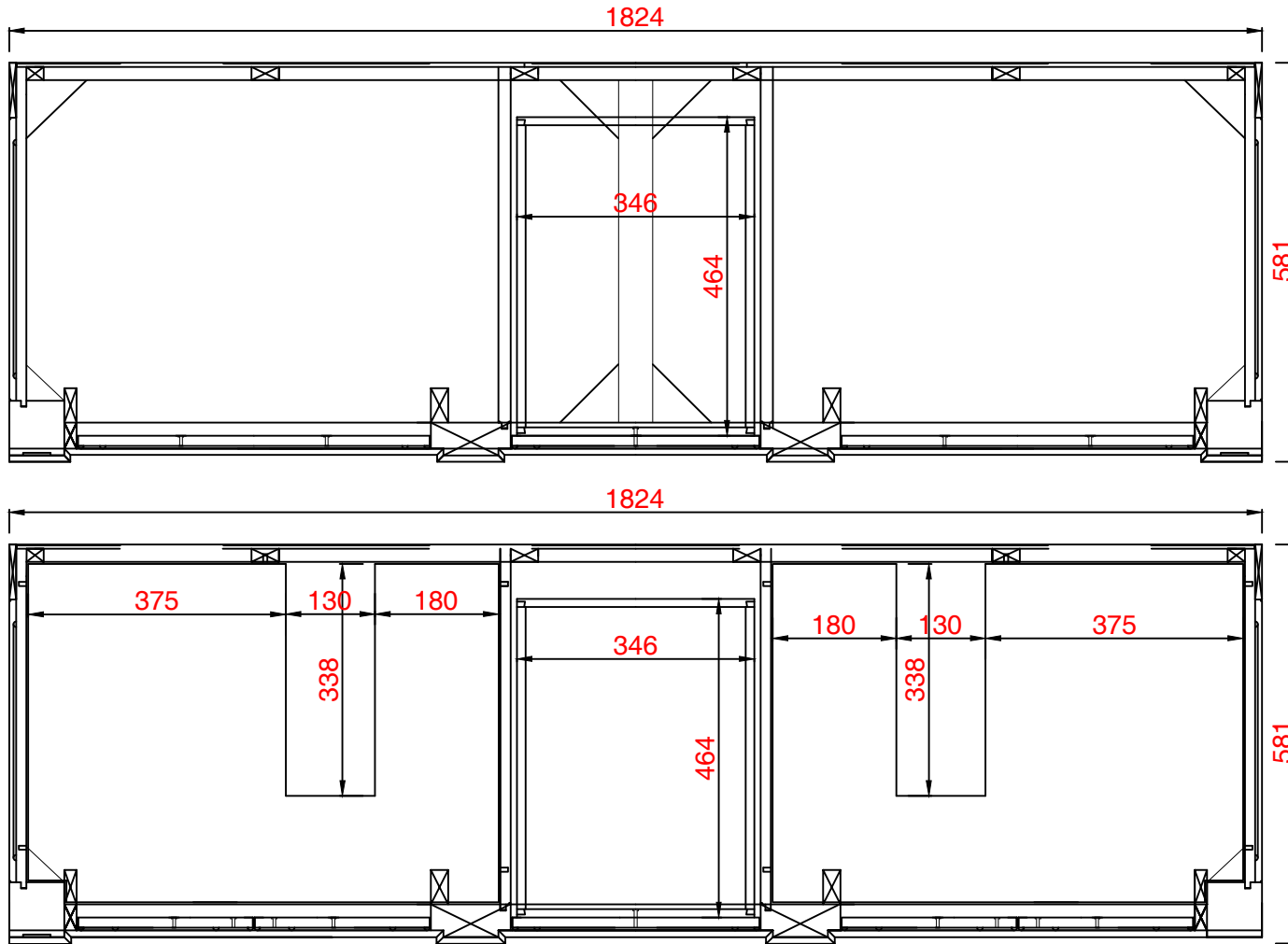


VANITIES™

Bristol 1829mm Double Vanity Cabinet

Diagrams with Dimensions

page 02 of 03



NOTE ONE: Countertops are not shown in these diagrams .(Cabinet Only)

NOTE TWO: Internal Shelves (Shown) are designed to align with sinks in James Martin's Optional Countertops.

Customers' own countertops and sinks may align differently, and modification may be required.

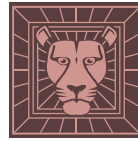
Please consult our website for Countertop Diagrams: [www.jamesmartinvanities.com](http://www.jamesmartinvanities.com)

Version:202107

1829mm

Item Number:  
157-V72-BW  
157-V72-SBR  
157-V72-VV  
157-V72-WW

JAMES MARTIN

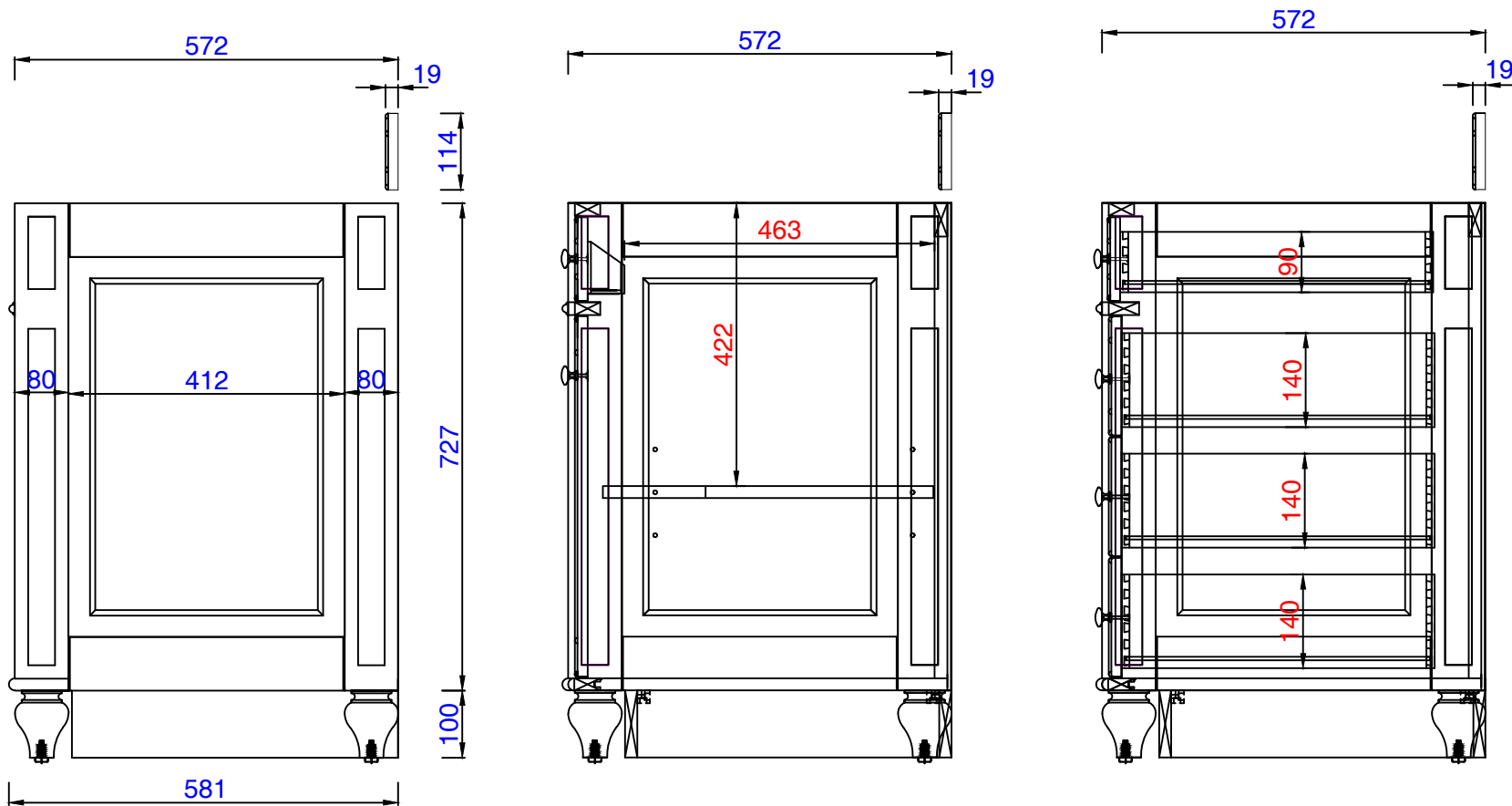


VANITIES™

Bristol 1829mm Double Vanity Cabinet

Diagrams with Dimensions

page 03 of 03



NOTE ONE: Countertops are not shown in these diagrams .(Cabinet Only)

NOTE TWO: Wood Backsplash (Shown) is designed for the molding detail to align with sinks in James Martin's Optional Countertops.

Customers' own countertops and sinks may align differently.

Please consult our website for Countertop Diagrams: [www.jamesmartinvanities.com](http://www.jamesmartinvanities.com)

Version:202107