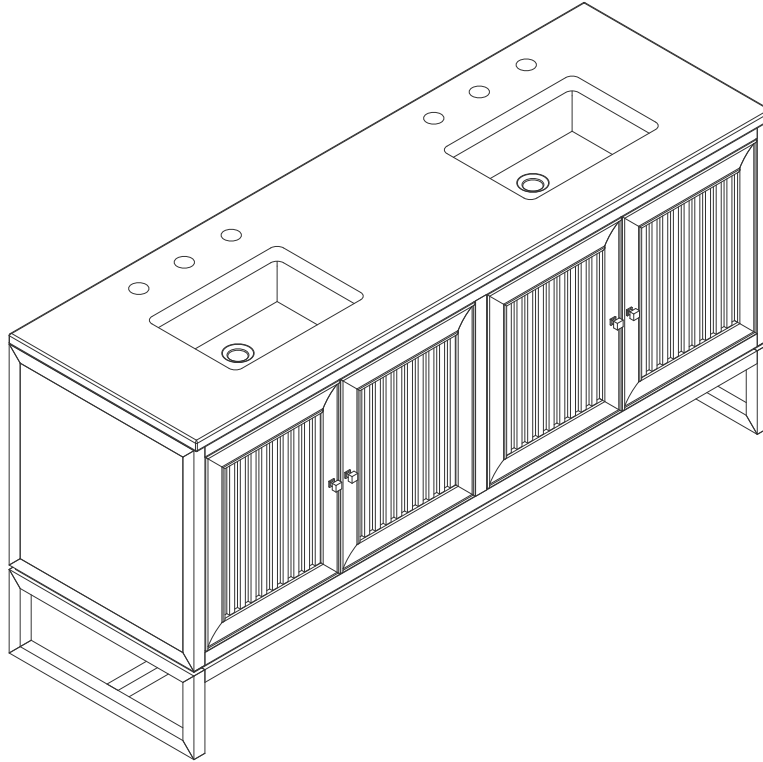


72" ATHENS VANITY

JAMES MARTIN
VANITIES

E645-V72-GW



Features and Materials

Solids: Yellow Poplar

Panels: MDF

Installation Type: Floor Standing with Wood Base or Wall Mounted Number of

Basins: One, with Optional 3cm Top

Vanity Top Included: NO, Optional 3cm Tops Available with Sinks

Number of Doors: Four

Number of Drawers: Three

USB/Power Component: Yes(ETL5011080)

Cord Length: 6'6"

Assembly Type: Installation of Optional 3cm Top

Assembly Type: Remove Base to Wall Hang (hardware included)

Door Panel: Reversible. One Side Finished in Glossy White, One Side Natural

Cork (Pattern: Patchwork)

Drawer Box Material and Construction: 12mm Plywood/English Dovetail Joinery

Hardware Material and Finish: Zinc Alloy in Polished Chrome

Fits Drain Hole Size: 1-3/4"

Overflow: Yes, Front Facing

Full Extension, Soft Close Glides

European Soft Close Hinges

Aluminum Laminate Drawer Liners

Adjustable Levelers

Dimension

Width: 71-7/8"

Depth: 23-1/8"

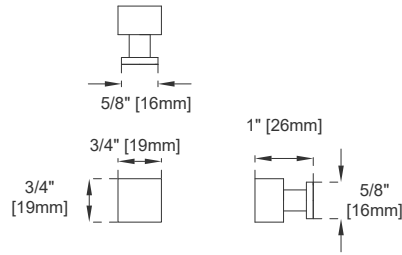
Height: 33-1/2"

Rough-In Height: 21-1/2"

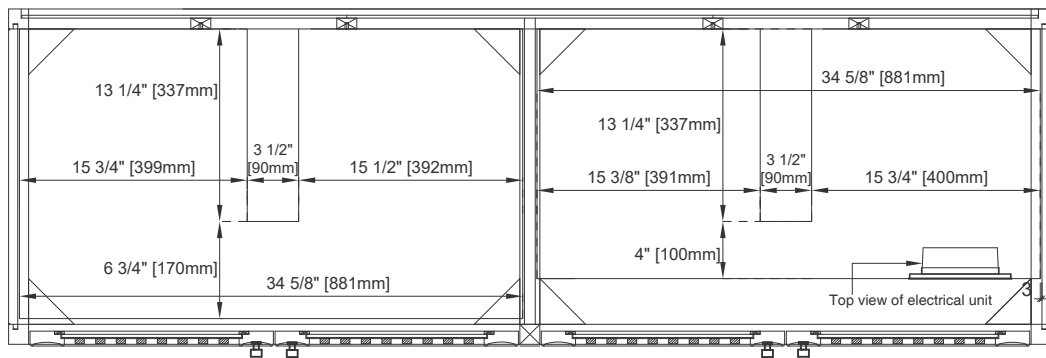
72" ATHENS VANITY

JAMES MARTIN VANITIES

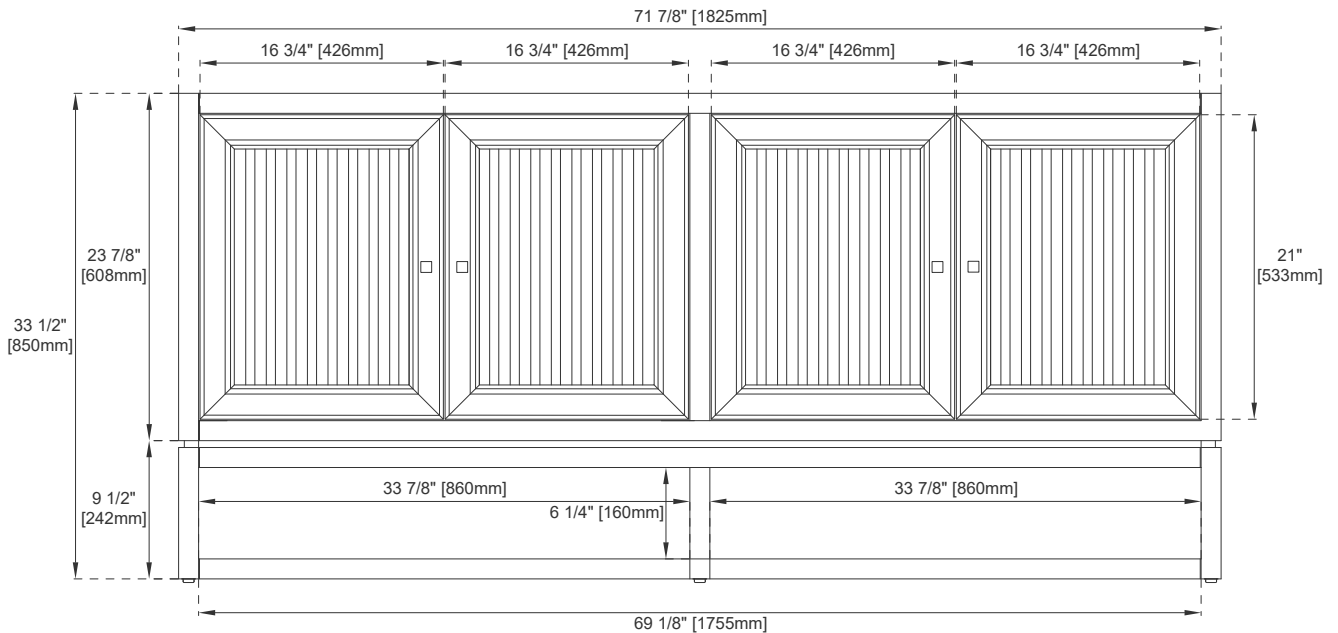
E645-V72-GW



Knob



Top View 1



Front View 1

All dimensions are nominal

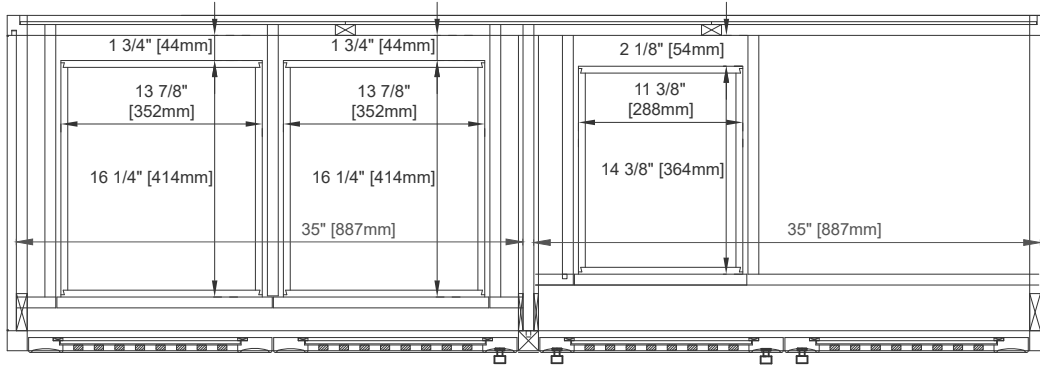
Diagrams are of cabinet only –James Martin Optional Countertops and sinks are not shown

Visit website for warranty and installation information
www.jamesmartinvanities.com

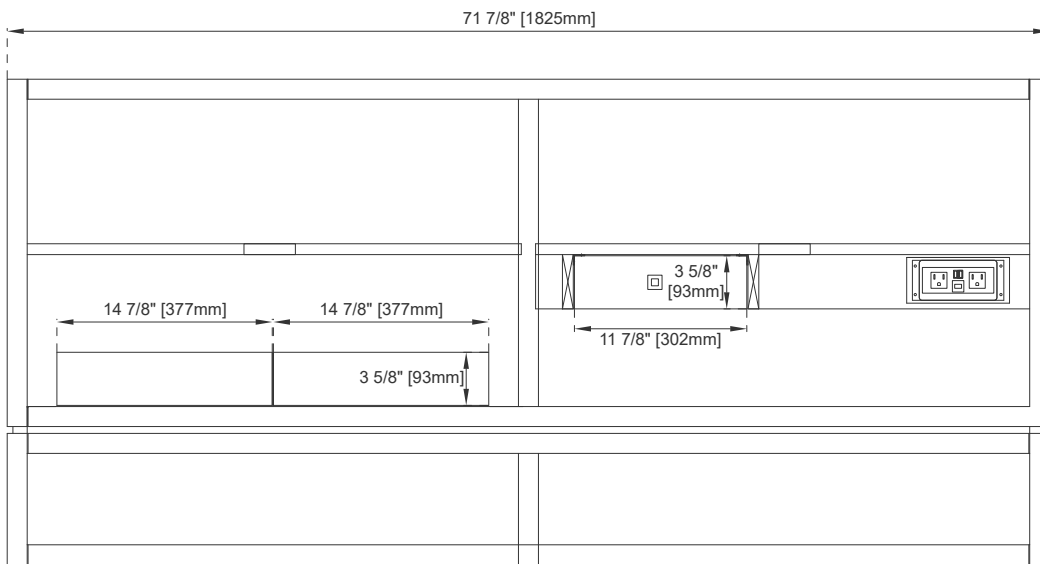
72" ATHENS VANITY

JAMES MARTIN VANITIES

E645-V72-GW



Top View 2



Front View 2

All dimensions are nominal

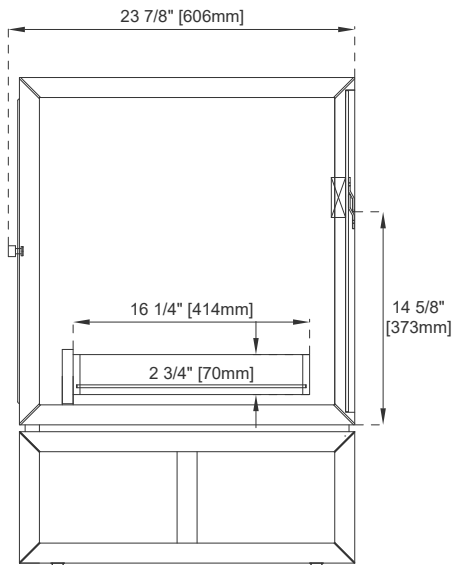
Diagrams are of cabinet only –James Martin Optional Countertops and sinks are not shown

Visit website for warranty and installation information
www.jamesmartinvanities.com

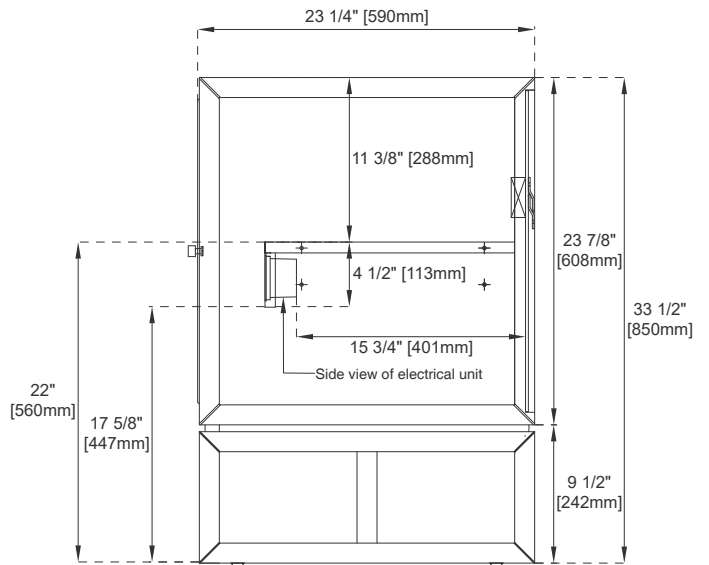
72" ATHENS VANITY

JAMES MARTIN VANITIES

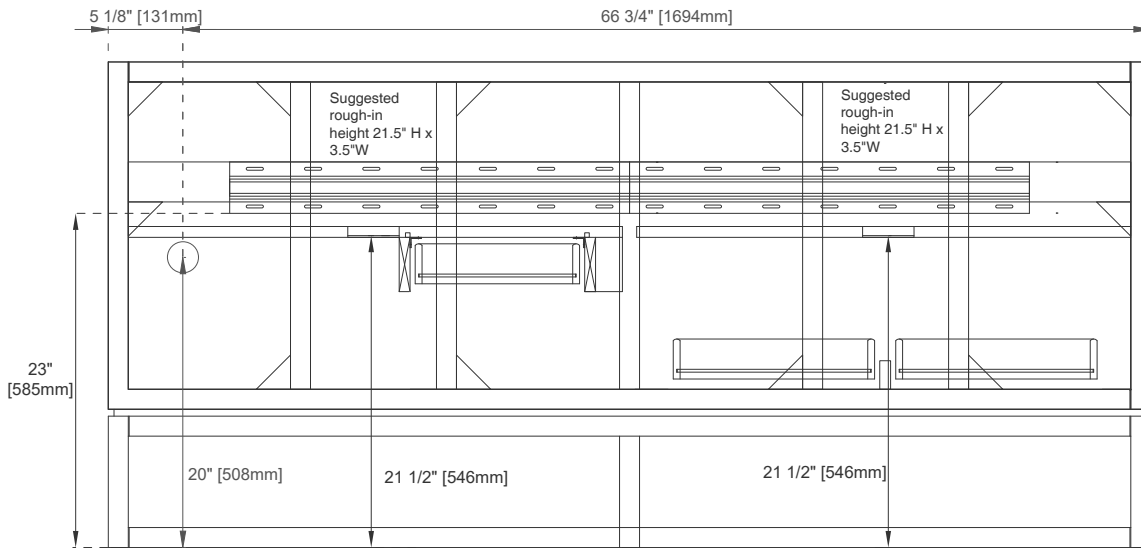
E645-V72-GW



Side View 1



Side View 2



Back View

All dimensions are nominal

Diagrams are of cabinet only –James Martin Optional Countertops and sinks are not shown

Visit website for warranty and installation information
www.jamesmartinvanities.com