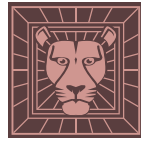


72"

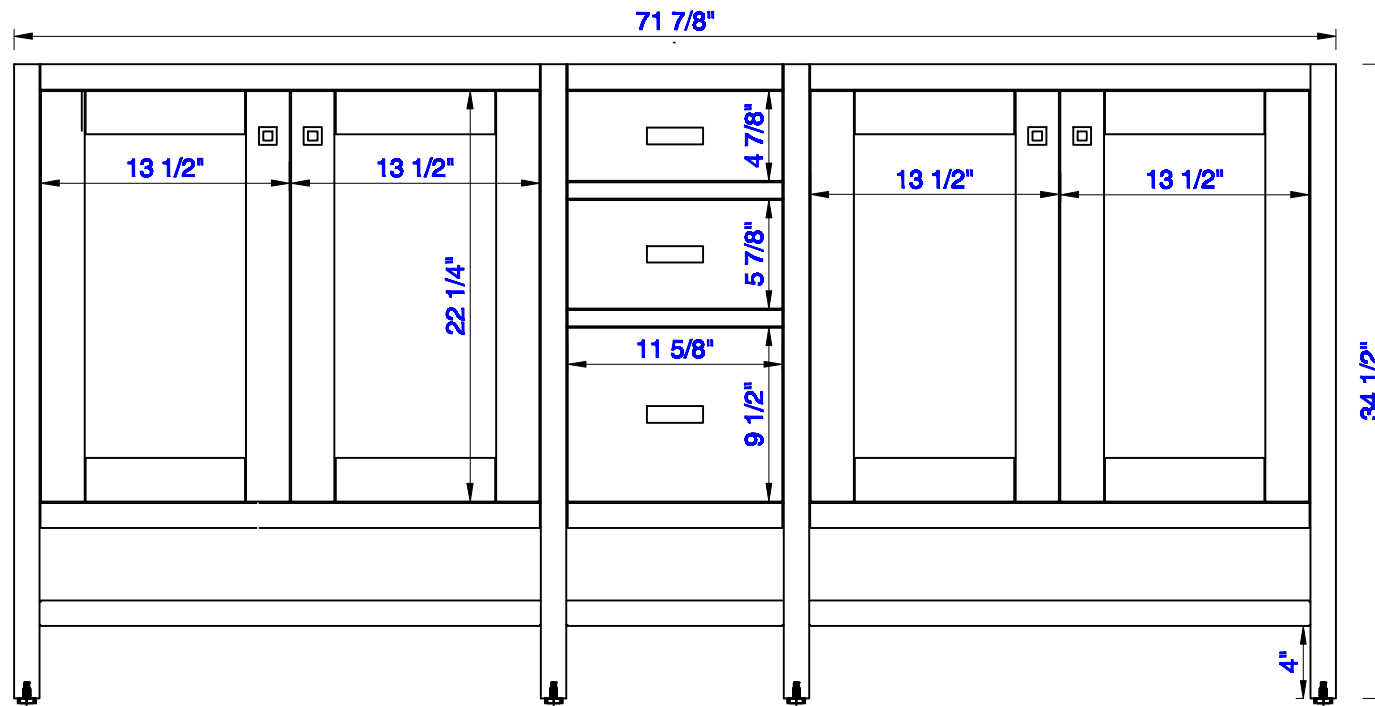
Item Number:
E444-V72-MCA
E444-V72-GW

JAMES MARTIN



VANITIES™

Addison 72" Double Cabinet
Diagrams with Dimensions
page 01 of 03



NOTE ONE: Countertops are not shown in these diagrams. (Cabinet Only)

NOTE TWO: This vanity does not have a Backsplash.

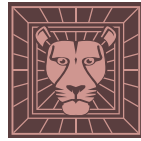
Please consult our website for Countertop Diagrams: www.jamesmartinvanities.com

Version:202009

72"

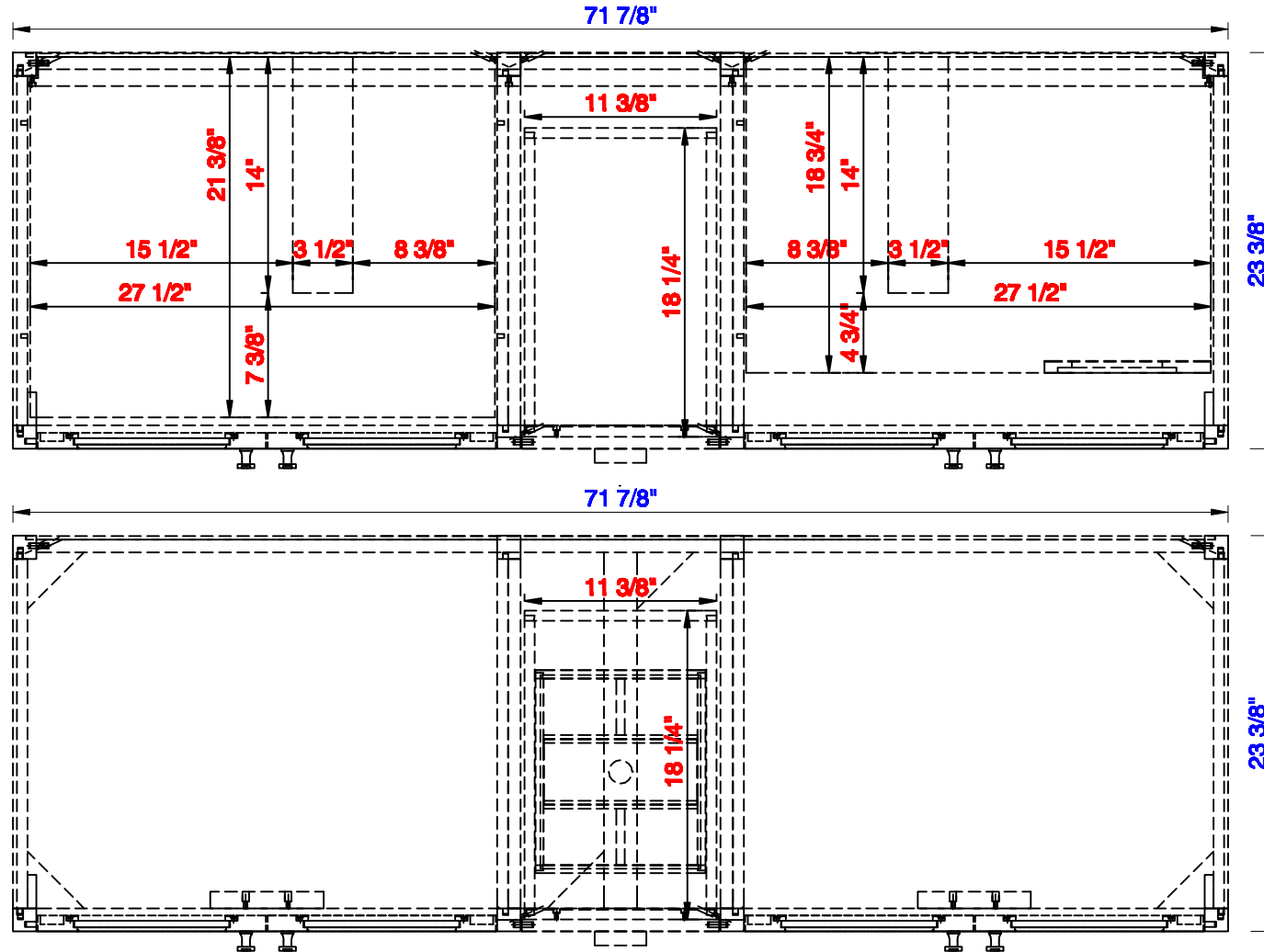
Item Number:
E444-V72-MCA
E444-V72-GW

JAMES MARTIN



VANITIES™

Addison 72" Double Cabinet
Diagrams with Dimensions
page 02 of 03



NOTE ONE: Countertops are not shown in these diagrams. (Cabinet Only)

NOTE TWO: Internal Shelves (Shown) are designed to align with sinks in James Martin's Optional Countertops.

Customer's own countertops and sinks may align differently, and modification may be required.

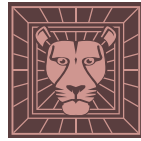
Please consult our website for Countertop Diagrams: www.jamesmartinvanities.com

Version:202009

72"

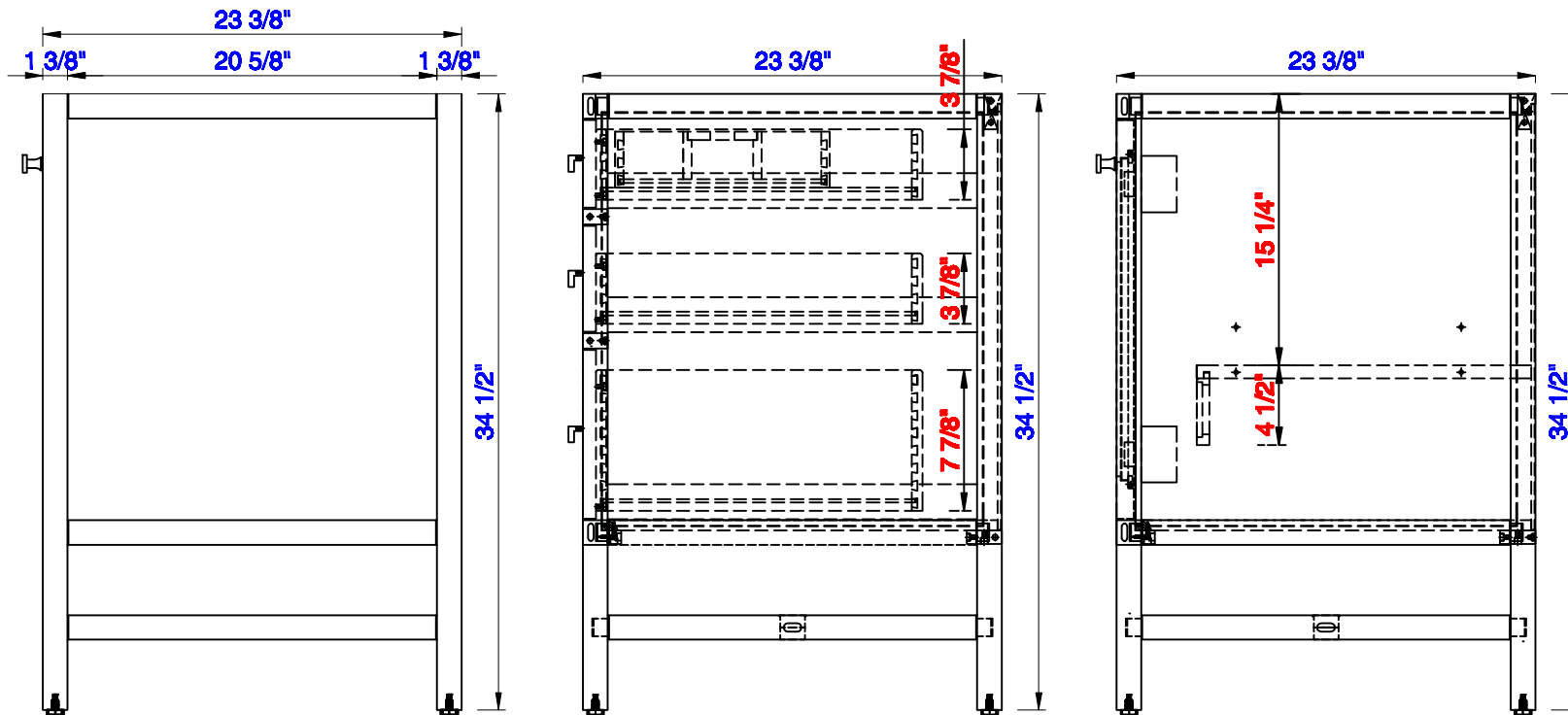
Item Number:
E444-V72-MCA
E444-V72-GW

JAMES MARTIN



VANITIES™

Addison 72" Double Cabinet
Diagrams with Dimensions
page 03 of 03



NOTE ONE: Countertops are not shown in these diagrams. (Cabinet Only)

NOTE TWO: This vanity does not have a Backsplash.

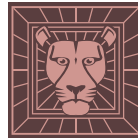
Please consult our website for Countertop Diagrams: www.jamesmartinvanities.com

Version:202009

1829mm

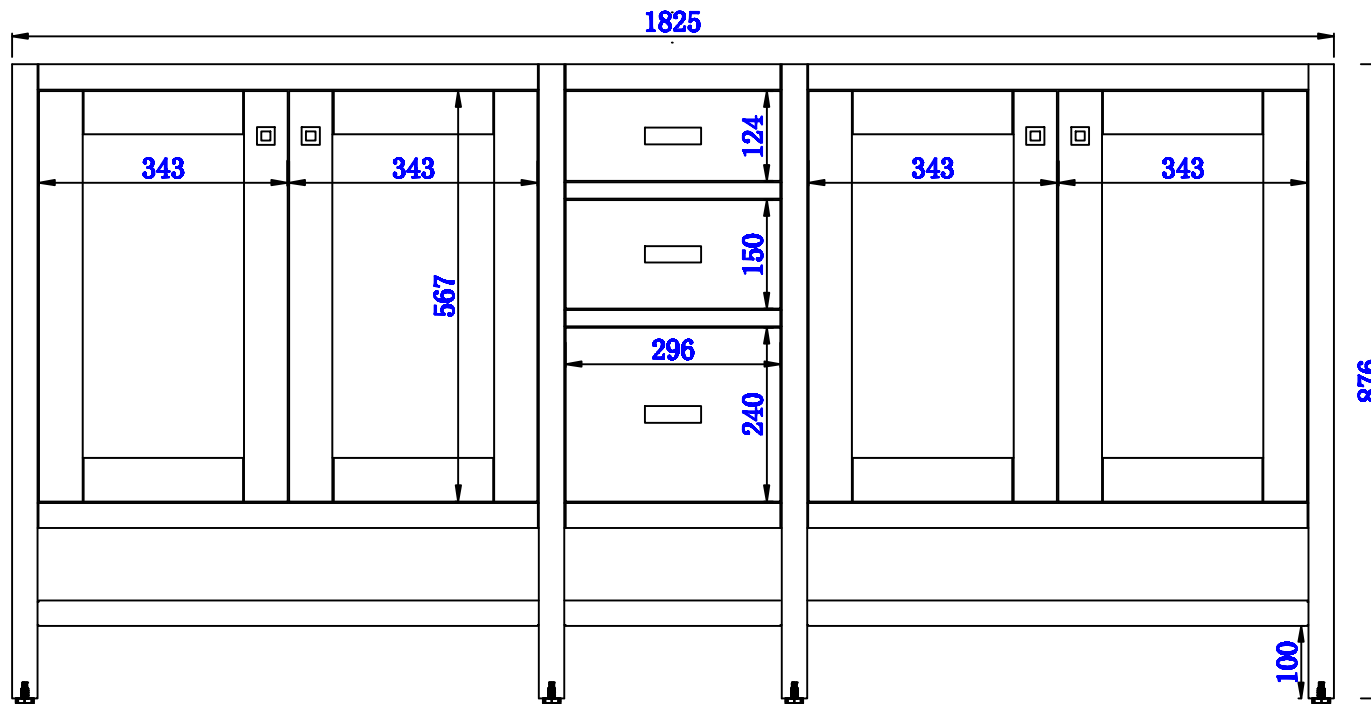
Item Number:
E444-V72-MCA
E444-V72-GW

JAMES MARTIN



VANITIES™

Addison 1829mm Double Cabinet
Diagrams with Dimensions
page 01 of 03



NOTE ONE: Countertops are not shown in these diagrams. (Cabinet Only)

NOTE TWO: This vanity does not have a Backsplash.

Please consult our website for Countertop Diagrams: www.jamesmartinvanities.com

Version:202009

1829mm

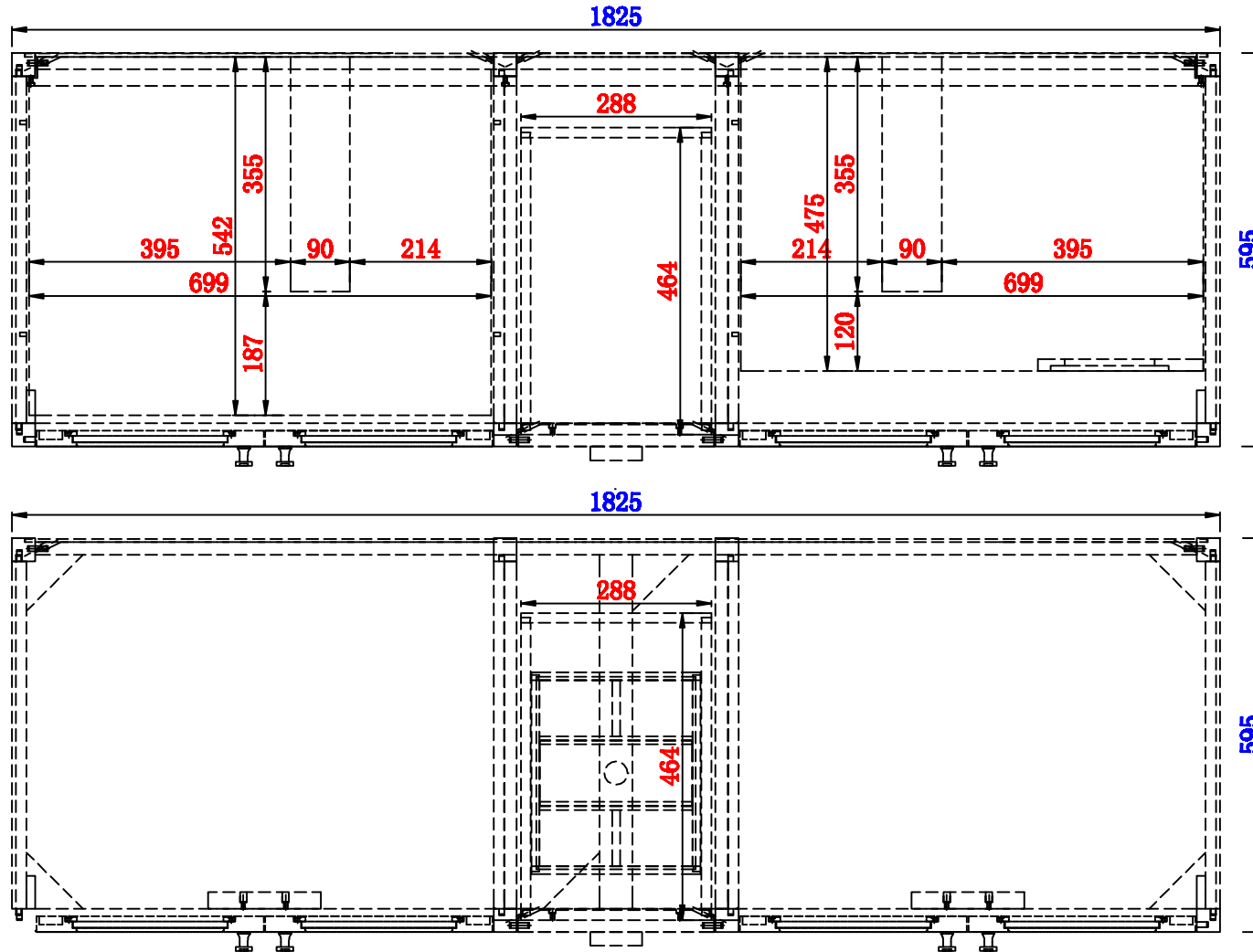
Item Number:
E444-V72-MCA
E444-V72-GW

JAMES MARTIN



VANITIES™

Addison 1829mm Double Cabinet
Diagrams with Dimensions
page 02 of 03



NOTE ONE: Countertops are not shown in these diagrams. (Cabinet Only)

NOTE TWO: Internal Shelves (Shown) are designed to align with sinks in James Martin's Optional Countertops.

Customer's own countertops and sinks may align differently, and modification may be required.

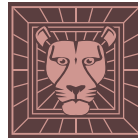
Please consult our website for Countertop Diagrams: www.jamesmartinvanities.com

Version:202009

1829mm

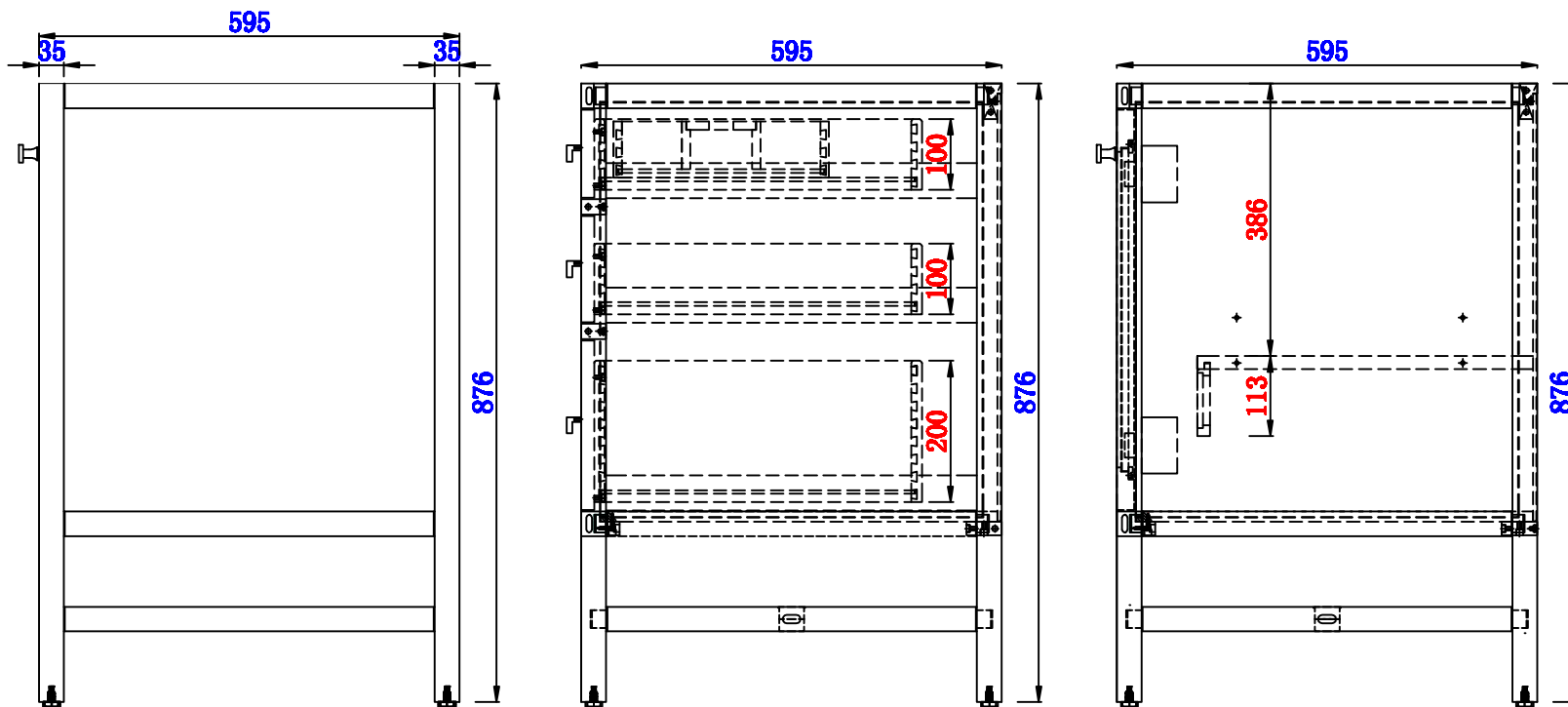
Item Number:
E444-V72-MCA
E444-V72-GW

JAMES MARTIN



VANITIES™

Addison 1829mm Double Cabinet
Diagrams with Dimensions
page 03 of 03



NOTE ONE: Countertops are not shown in these diagrams. (Cabinet Only)

NOTE TWO: This vanity does not have a Backsplash.

Please consult our website for Countertop Diagrams: www.jamesmartinvanities.com

Version:202009

71 7/8"

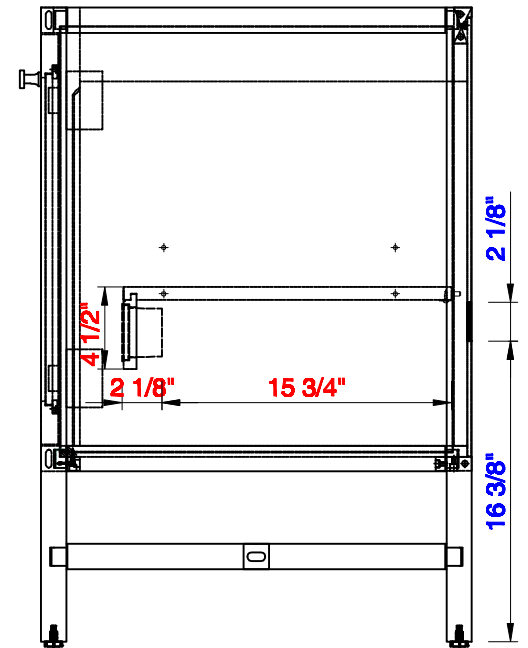
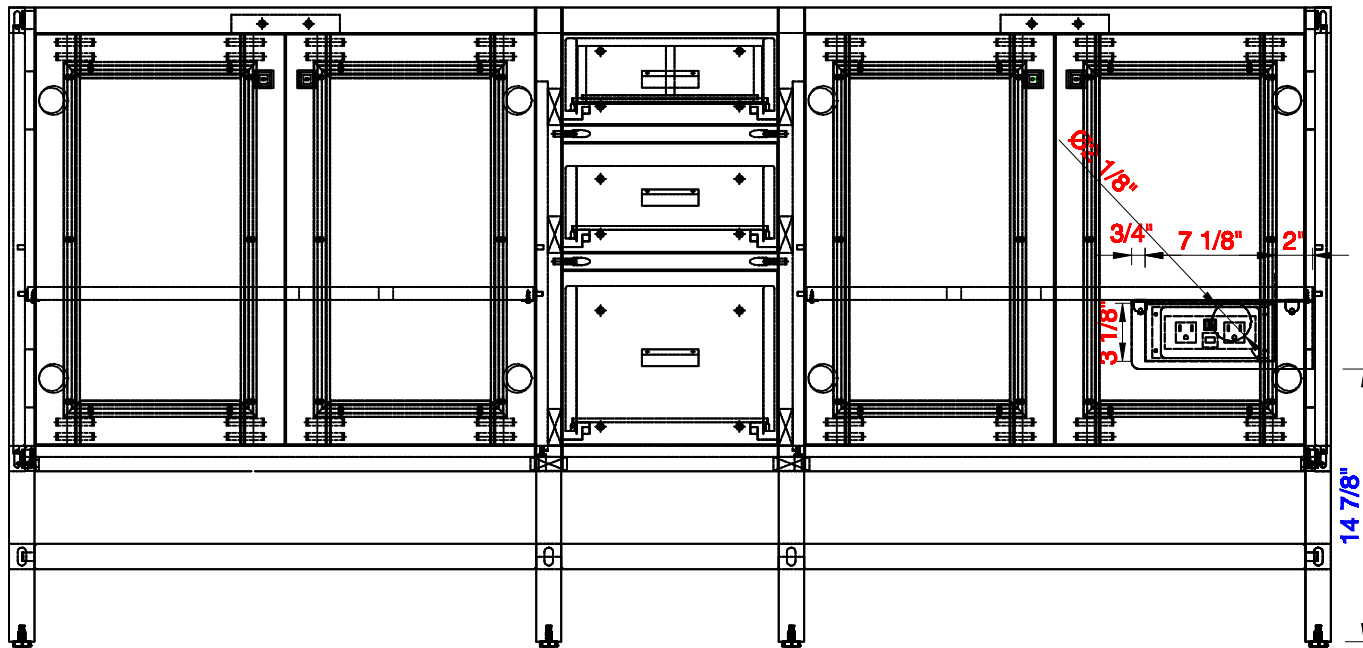
Item Number:
E444-V72-MCA

JAMES MARTIN



VANITIES™

Addison 71 7/8" Double Cabinet
Diagrams with Dimensions
page 01 of 01



1825mm

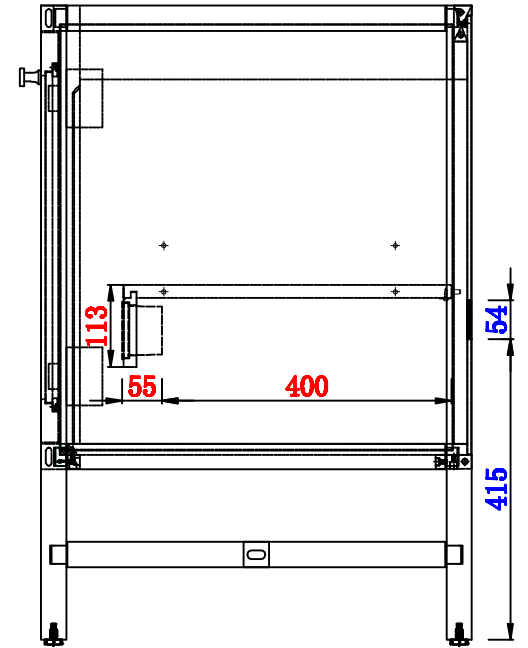
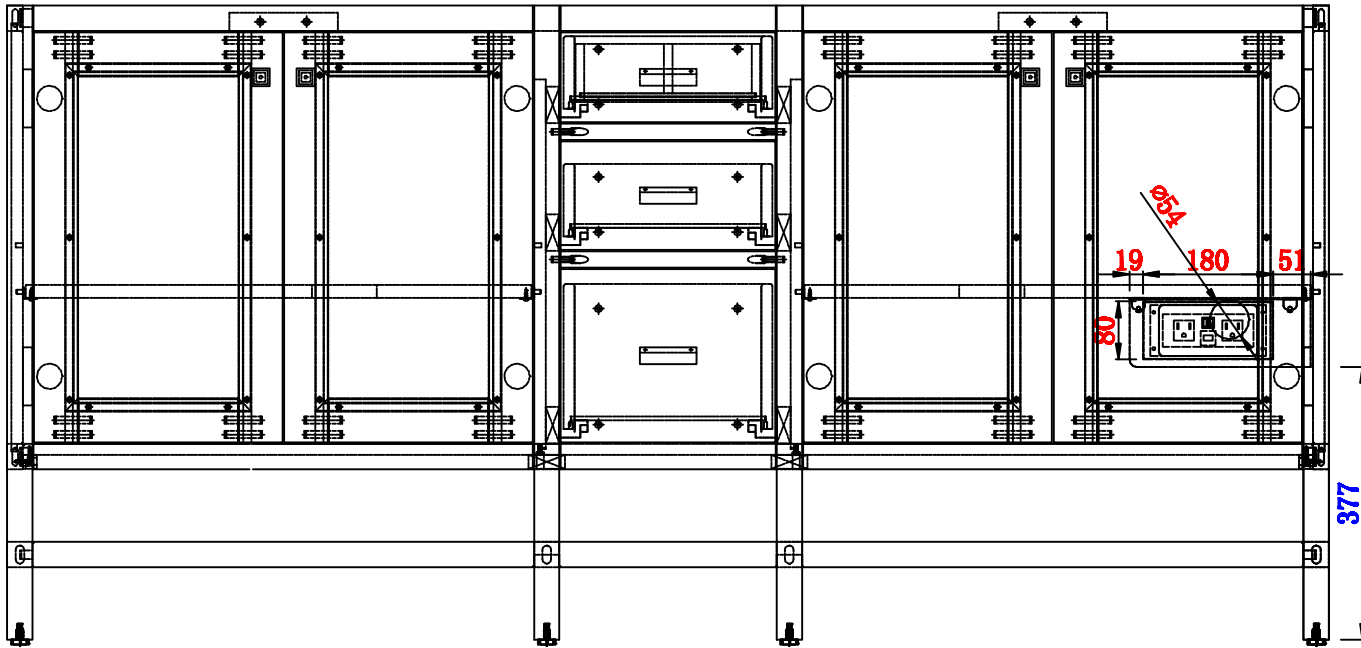
Item Number:
E444-V72-MCA

JAMES MARTIN



VANITIES™

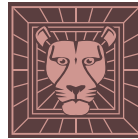
Addison 1825mm Double Cabinet
Diagrams with Dimensions
page 01 of 01



15"

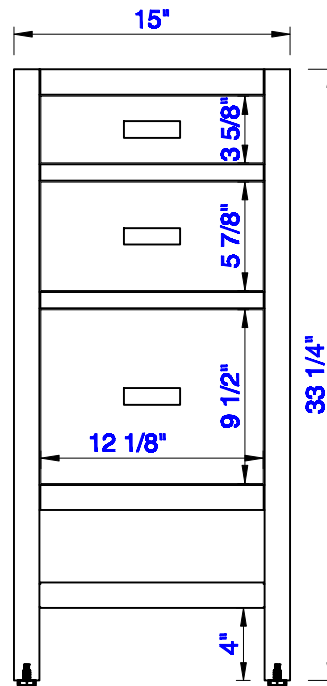
Item Number:
E444-BC15-MCA
E444-BC15-GW

JAMES MARTIN



VANITIES™

Addison 15" Base Cabinet with Drawers
Diagrams with Dimensions
page 01 of 03



NOTE ONE: Countertops are not shown in these diagrams. (Cabinet Only)

NOTE TWO: This Cabinet does not have a Backsplash.

Please consult our website for Countertop Diagrams: www.jamesmartinvanities.com

Version:202009

15"

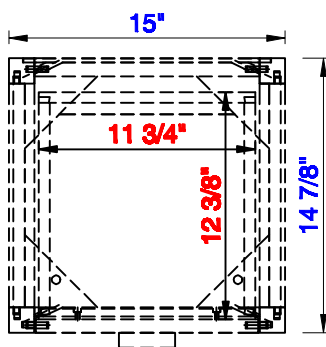
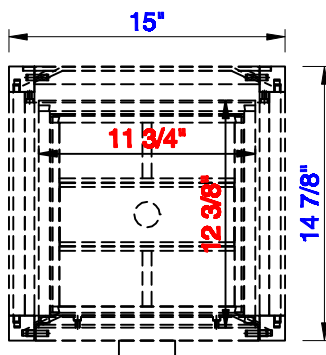
Item Number:
E444-BC15-MCA
E444-BC15-GW

JAMES MARTIN



VANITIES™

Addison 15" Base Cabinet with Drawers
Diagrams with Dimensions
page 02 of 03



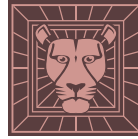
NOTE ONE: Countertops are not shown in these diagrams. (Cabinet Only)
Please consult our website for Countertop Diagrams: www.jamesmartinvanities.com

Version:202009

15"

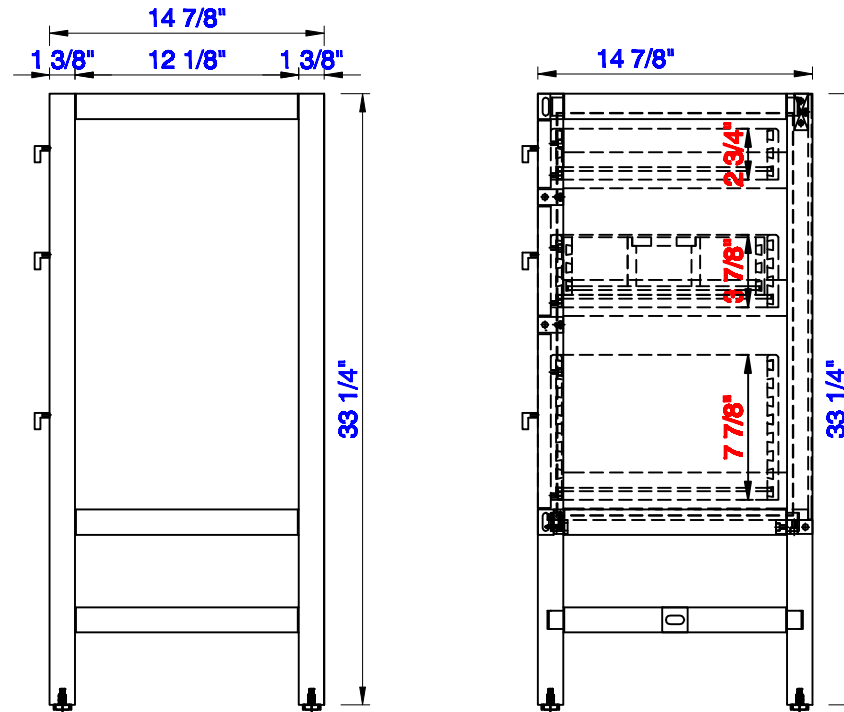
Item Number:
E444-BC15-MCA
E444-BC15-GW

JAMES MARTIN



VANITIES™

Addison 15" Base Cabinet with Drawers
Diagrams with Dimensions
page 03 of 03



NOTE ONE: Countertops are not shown in these diagrams. (Cabinet Only)

NOTE TWO: This Cabinet does not have a Backsplash.

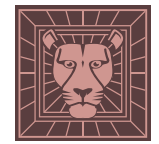
Please consult our website for Countertop Diagrams: www.jamesmartinvanities.com

Version:202009

381mm

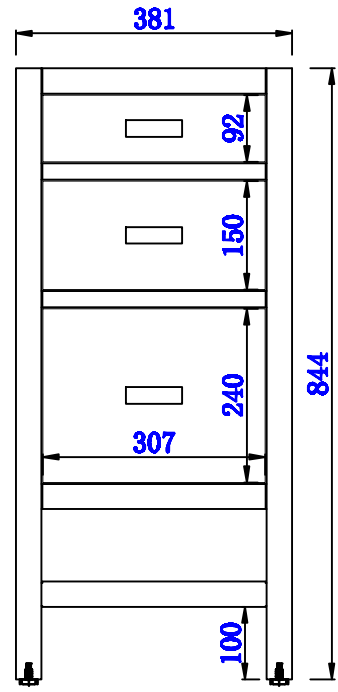
Item Number:
E444-BC15-MCA
E444-BC15-GW

JAMES MARTIN



VANITIES™

Addison 381mm Base Cabinet with Drawers
Diagrams with Dimensions
page 01 of 03



NOTE ONE: Countertops are not shown in these diagrams. (Cabinet Only)

NOTE TWO: This Cabinet does not have a Backsplash.

Please consult our website for Countertop Diagrams: www.jamesmartinvanities.com

Version:202009

381mm

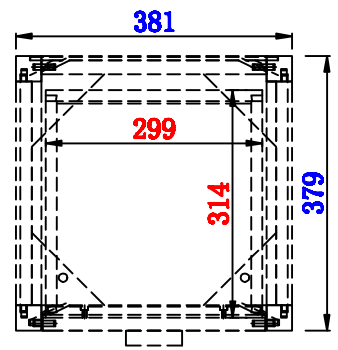
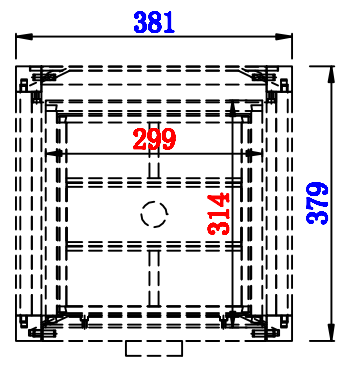
Item Number:
E444-BC15-MCA
E444-BC15-GW

JAMES MARTIN



VANITIES™

Addison 381mm Base Cabinet with Drawers
Diagrams with Dimensions
page 02 of 03



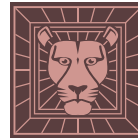
NOTE ONE: Countertops are not shown in these diagrams. (Cabinet Only)
Please consult our website for Countertop Diagrams: www.jamesmartinvanities.com

Version:202009

381mm

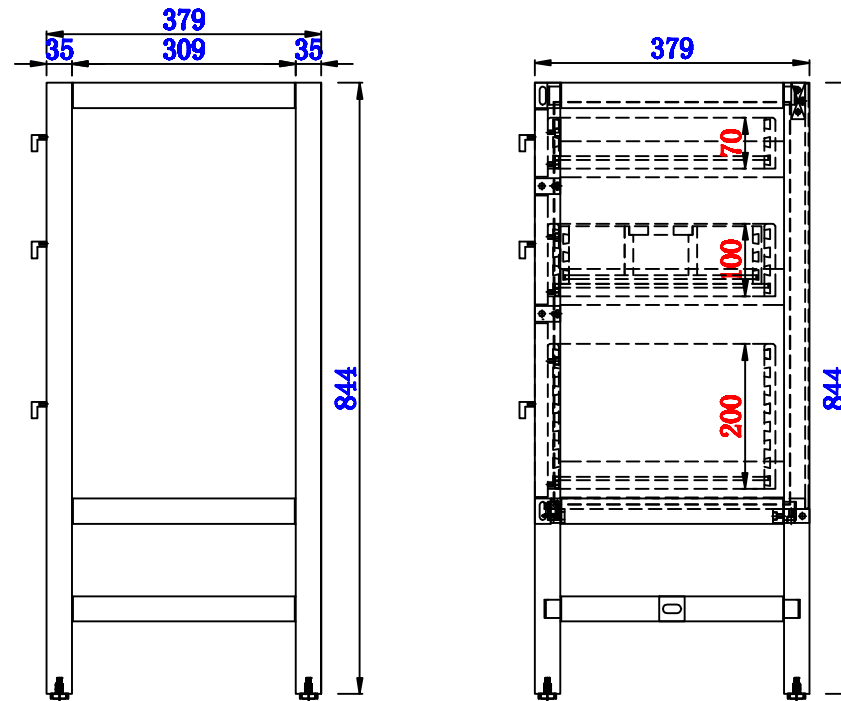
Item Number:
E444-BC15-MCA
E444-BC15-GW

JAMES MARTIN



VANITIES™

Addison 381mm Base Cabinet with Drawers
Diagrams with Dimensions
page 03 of 03



NOTE ONE: Countertops are not shown in these diagrams. (Cabinet Only)

NOTE TWO: This Cabinet does not have a Backsplash.

Please consult our website for Countertop Diagrams: www.jamesmartinvanities.com

Version:202009

15"

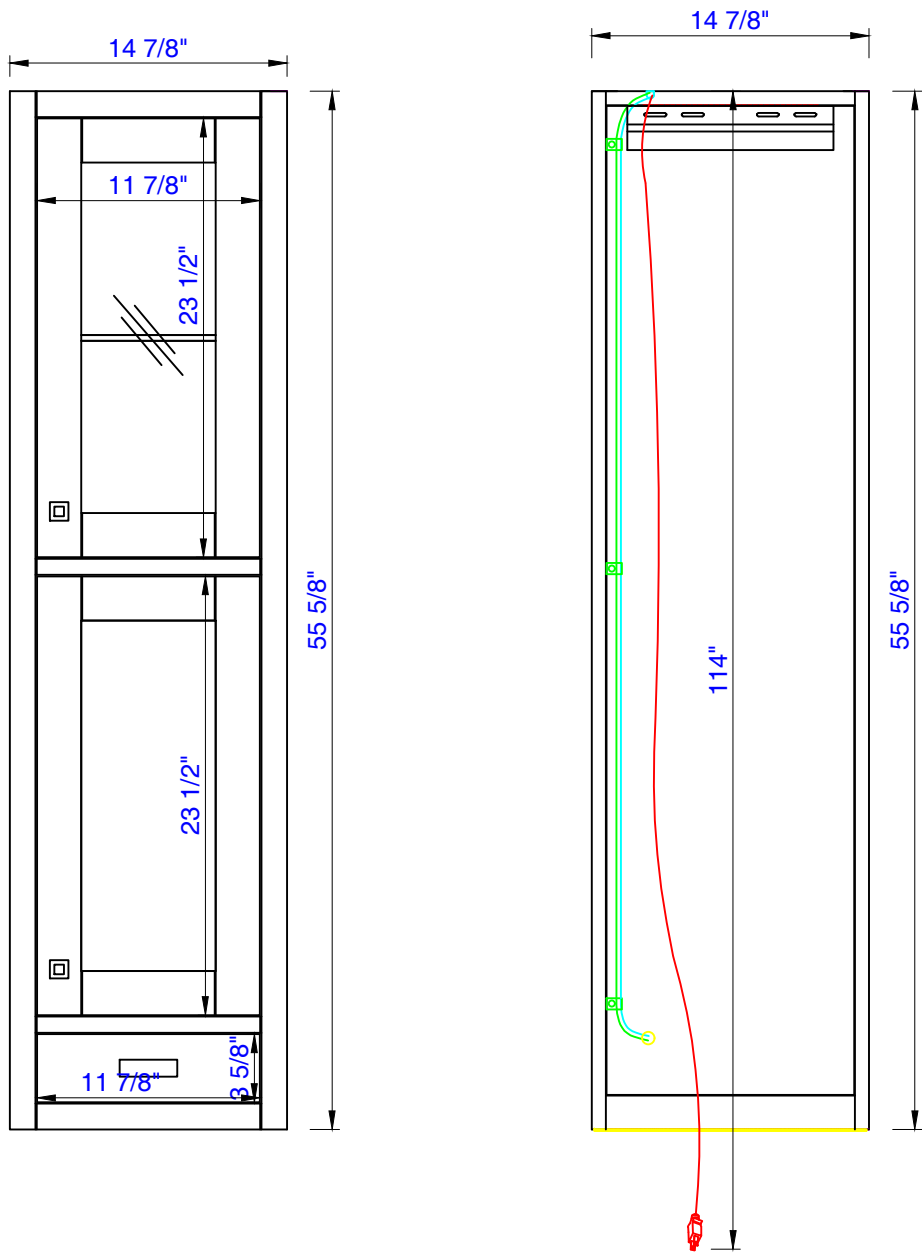
Item Number:
E444-H15R-MCA
E444-H15R-GW

JAMES MARTIN



VANITIES™

Addison 15" Grand Tower Hutch - Right
Diagrams with Dimensions
page 01 of 03



15"

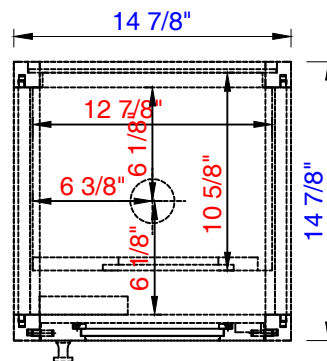
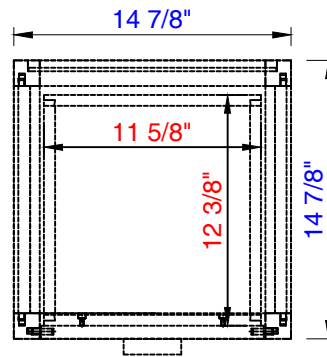
Item Number:
E444-H15R-MCA
E444-H15R-GW

JAMES MARTIN



VANITIES™

Addison 15" Grand Tower Hutch - Right
Diagrams with Dimensions
page 02 of 03



15"

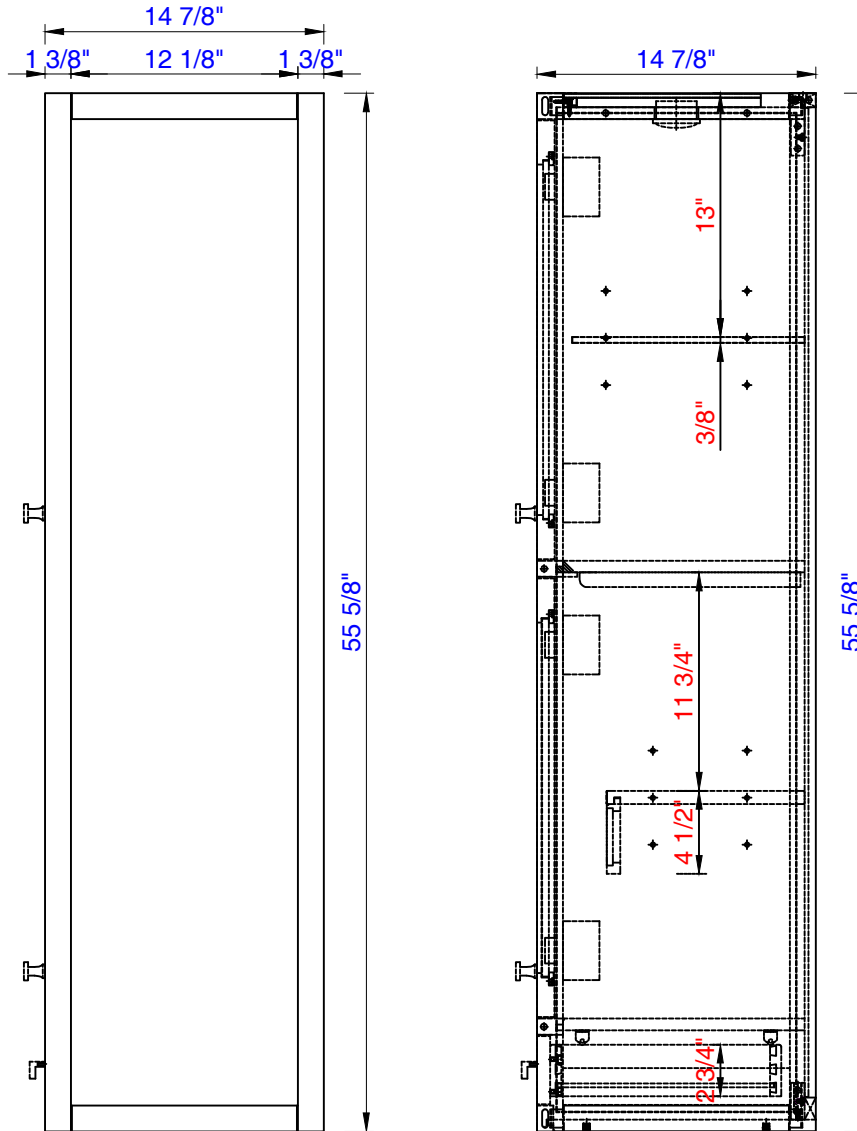
Item Number:
E444-H15R-MCA
E444-H15R-GW

JAMES MARTIN



VANITIES™

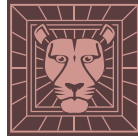
Addison 15" Grand Tower Hutch - Right
Diagrams with Dimensions
page 03 of 03



381mm

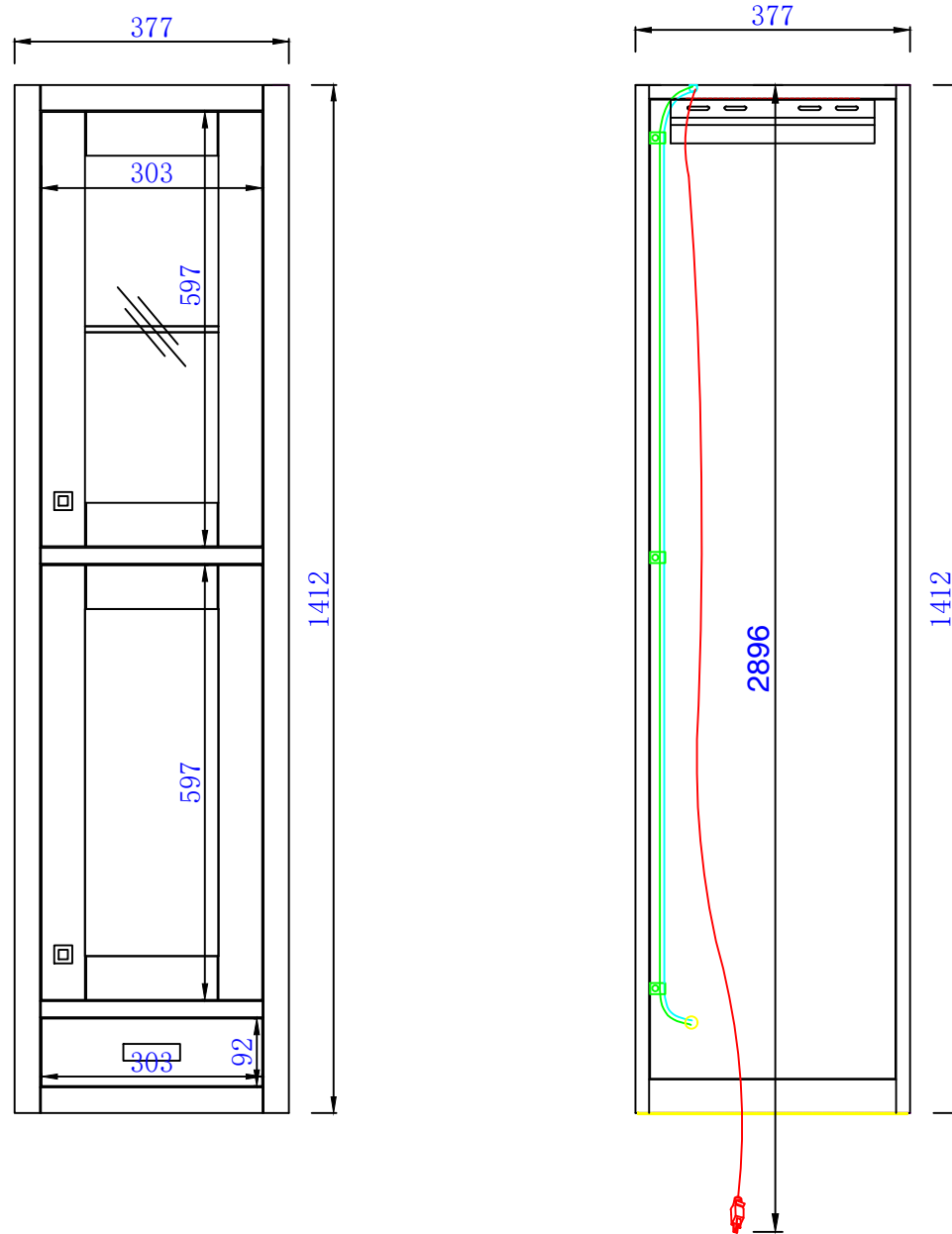
Item Number:
E444-H15R-MCA
E444-H15R-GW

JAMES MARTIN



VANITIES™

Addison 381mm Grand Tower Hutch - Right
Diagrams with Dimensions
page 01 of 03



381mm

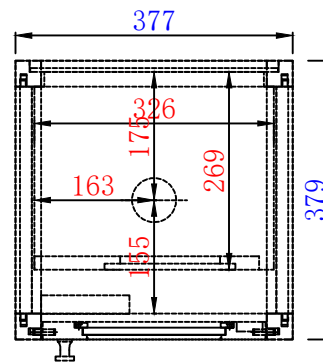
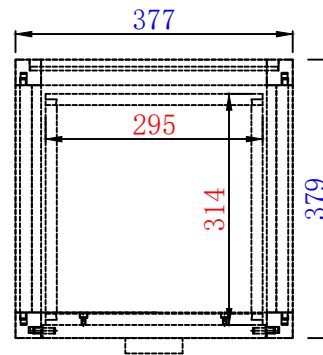
Item Number:
E444-H15R-MCA
E444-H15R-GW

JAMES MARTIN



VANITIES™

Addison 381mm Grand Tower Hutch - Right
Diagrams with Dimensions
page 02 of 03



381mm

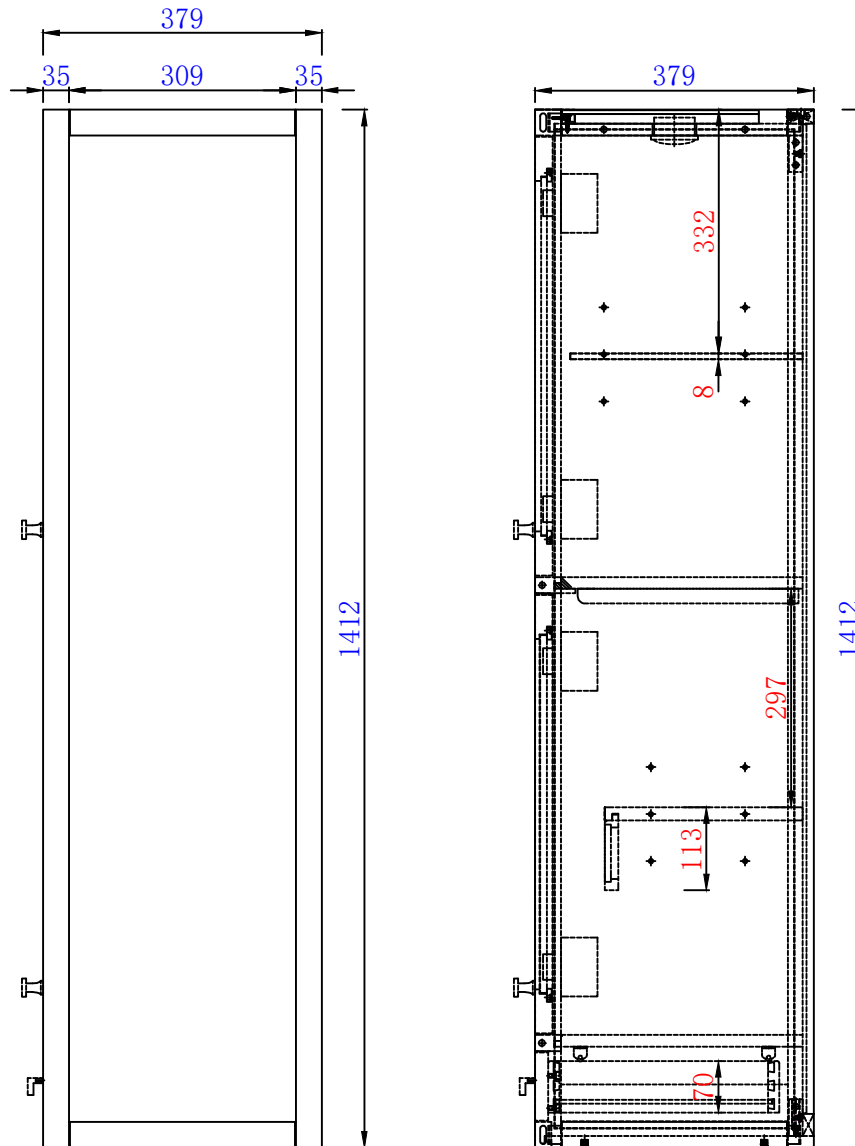
Item Number:
E444-H15R-MCA
E444-H15R-GW

JAMES MARTIN



VANITIES™

Addison 381mm Grand Tower Hutch - Right
Diagrams with Dimensions
page 03 of 03



15"

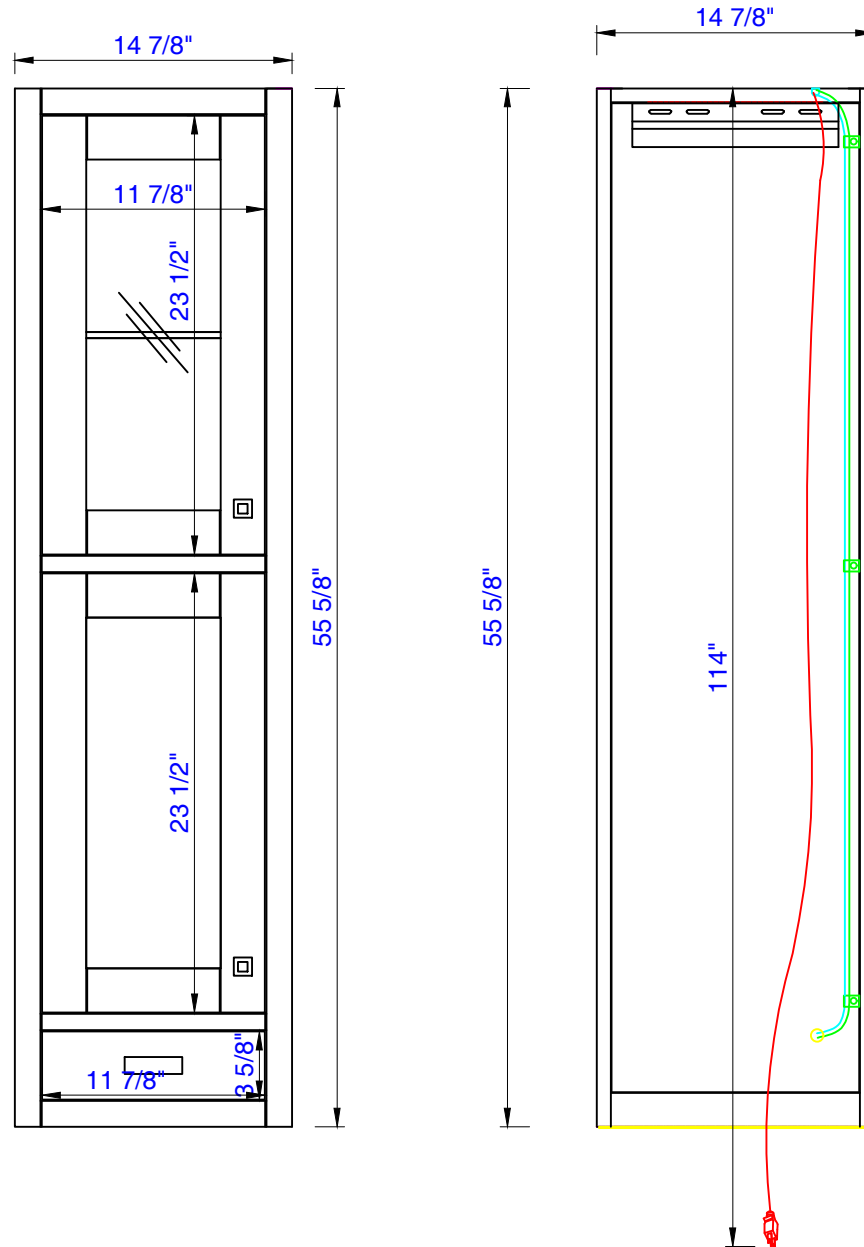
Item Number:
E444-H15L-MCA
E444-H15L-GW

JAMES MARTIN



VANITIES™

Addison 15" Grand Tower Hutch - Left
Diagrams with Dimensions
page 01 of 03



15"

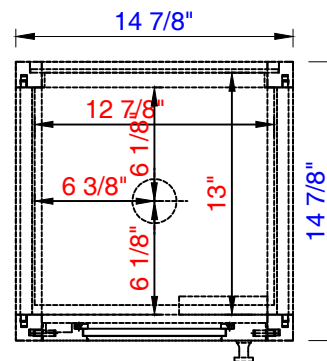
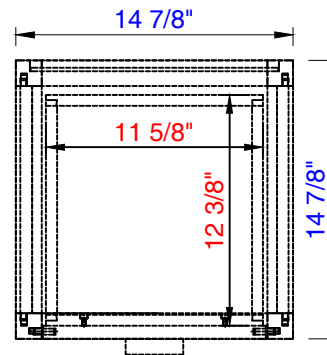
Item Number:
E444-H15L-MCA
E444-H15L-GW

JAMES MARTIN



VANITIES™

Addison 15" Grand Tower Hutch - Left
Diagrams with Dimensions
page 02 of 03



15"

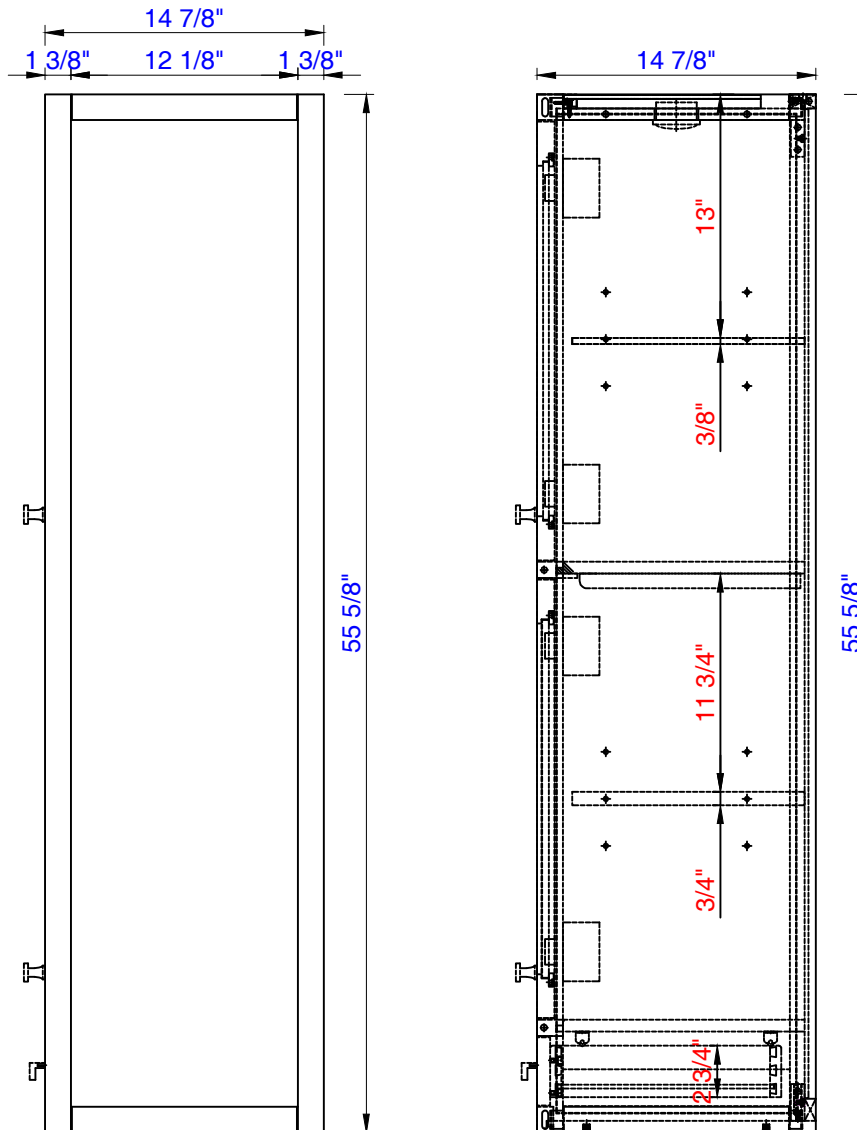
Item Number:
E444-H15L-MCA
E444-H15L-GW

JAMES MARTIN



VANITIES™

Addison 15" Grand Tower Hutch - Left
Diagrams with Dimensions
page 03 of 03



381mm

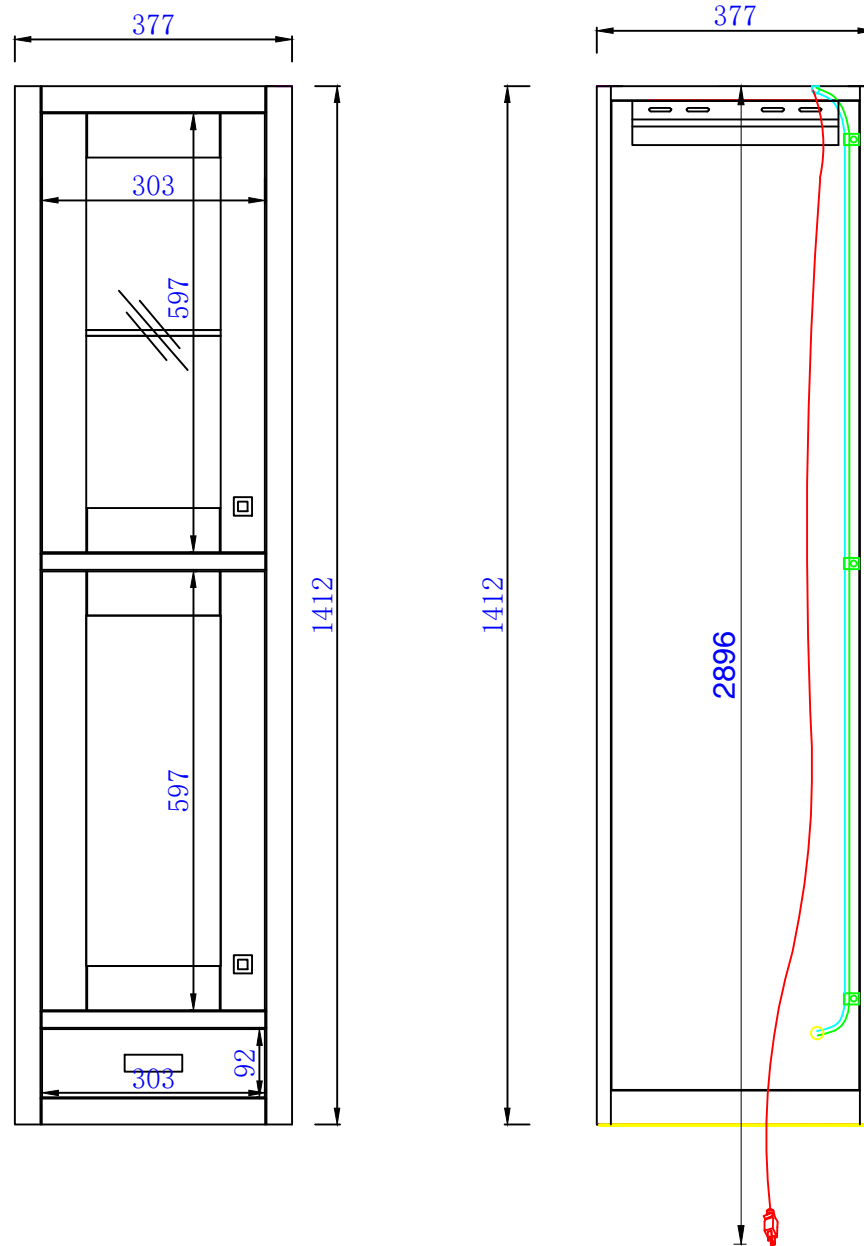
Item Number:
E444-H15L-MCA
E444-H15L-GW

JAMES MARTIN



VANITIES™

Addison 381mm Grand Tower Hutch - Left
Diagrams with Dimensions
page 01 of 03



381mm

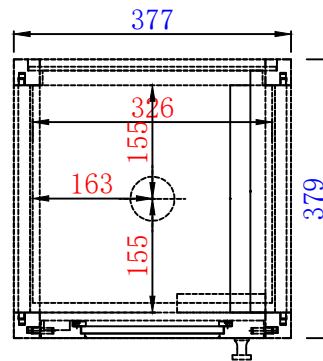
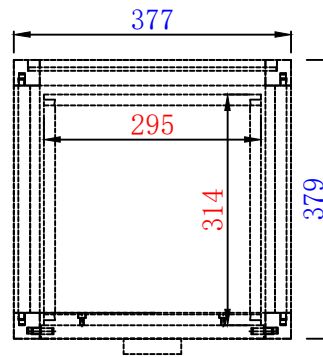
Item Number:
E444-H15L-MCA
E444-H15L-GW

JAMES MARTIN



VANITIES™

Addison 381mm Grand Tower Hutch - Left
Diagrams with Dimensions
page 02 of 03



381mm

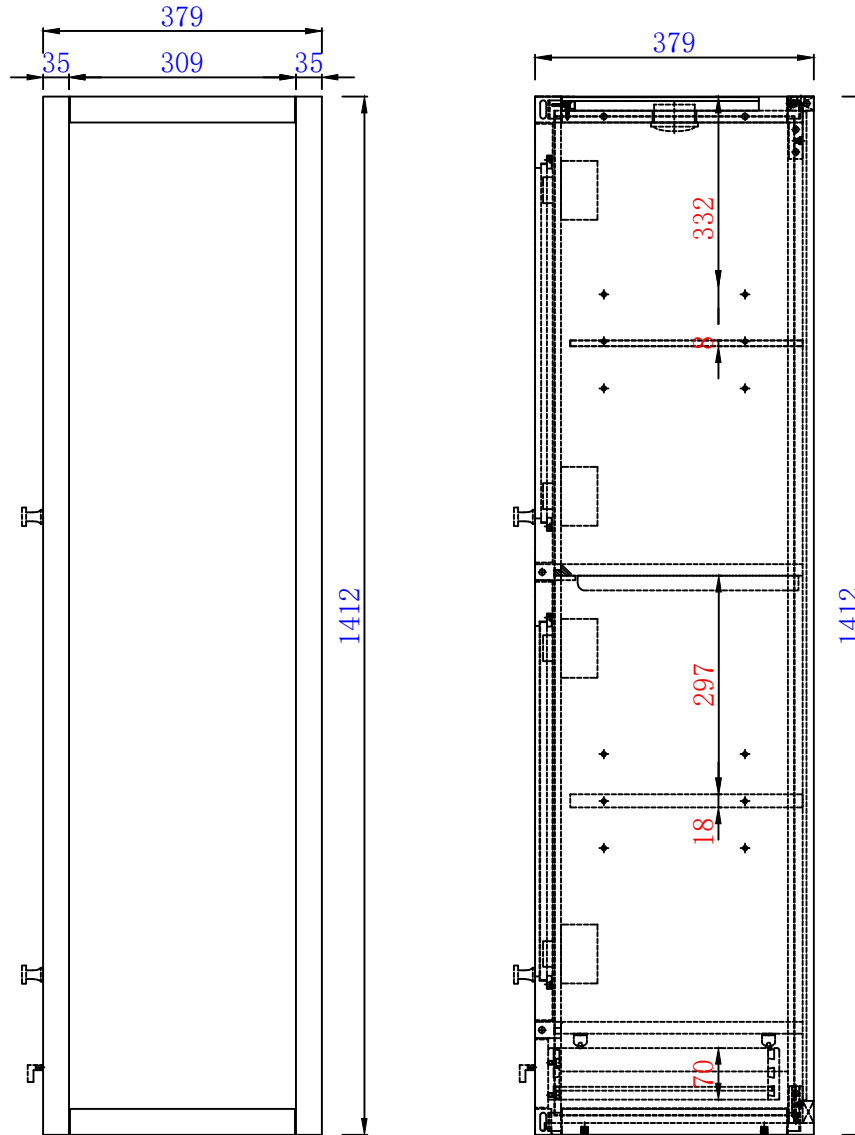
Item Number:
E444-H15L-MCA
E444-H15L-GW

JAMES MARTIN



VANITIES™

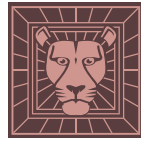
Addison 381mm Grand Tower Hutch - Left
Diagrams with Dimensions
page 03 of 03



36"

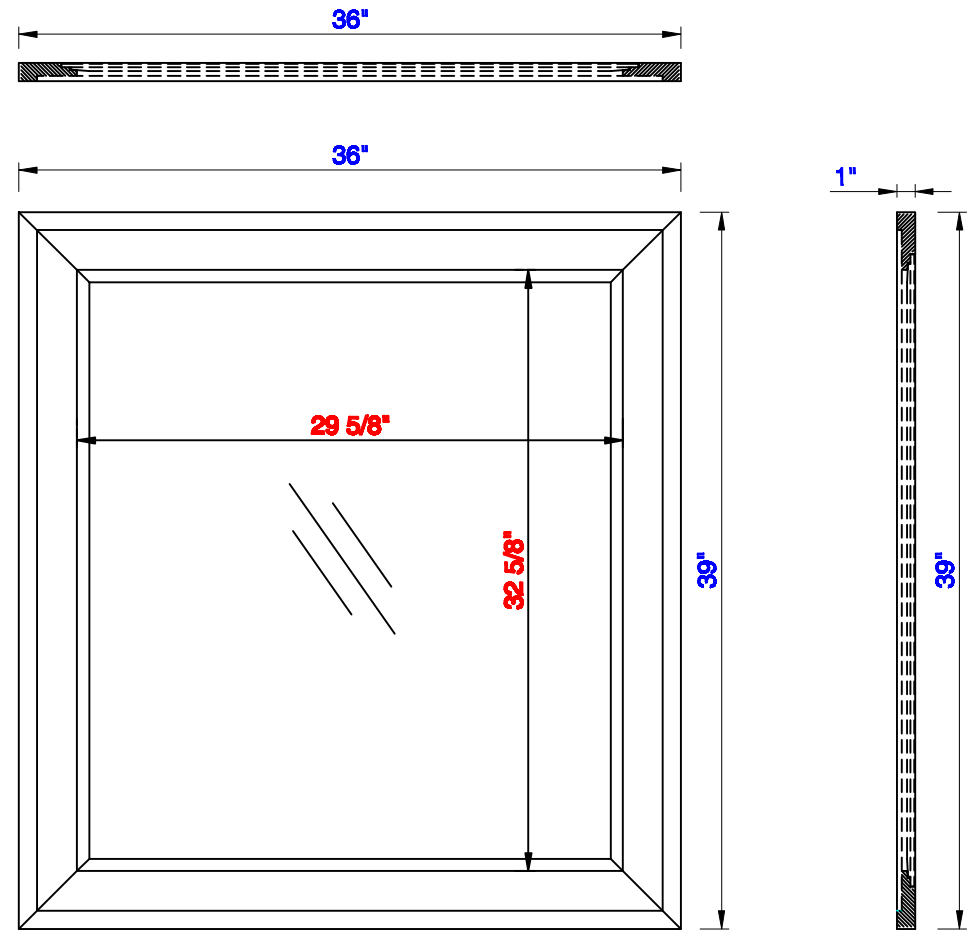
Item Number:
E444-M36-MCA
E444-M36-GW

JAMES MARTIN



VANITIES™

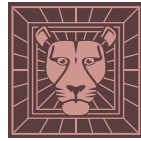
Addison 36" Mirror
Diagrams with Dimensions
page 01 of 01



914mm

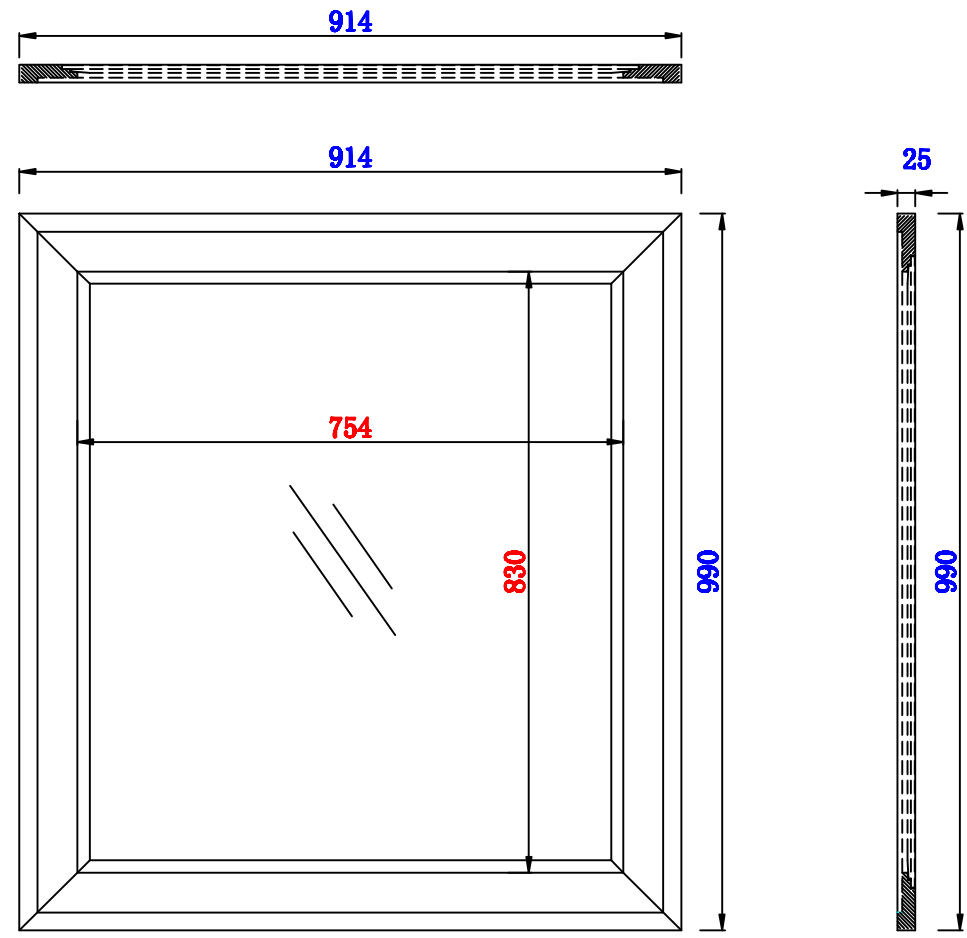
Item Number:
E444-M36-MCA
E444-M36-GW

JAMES MARTIN



VANITIES™

Addison 914mm Mirror
Diagrams with Dimensions
page 01 of 01

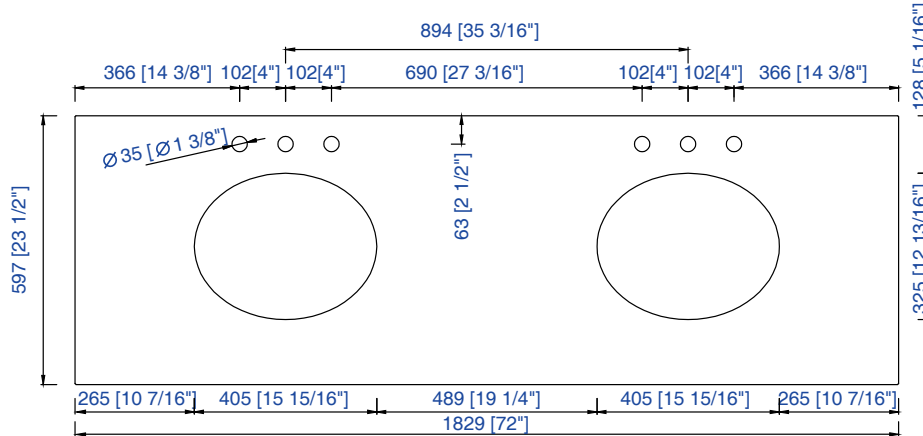




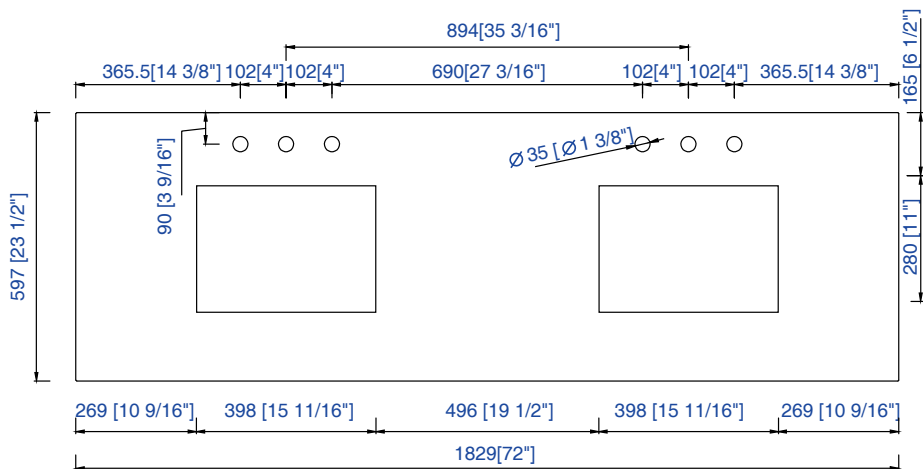
I G' Vanity Top Spec Sheet

James Martin Vanities Company always recommends you consult and/or hire a professional contractor when installing your vanity cabinet and top.

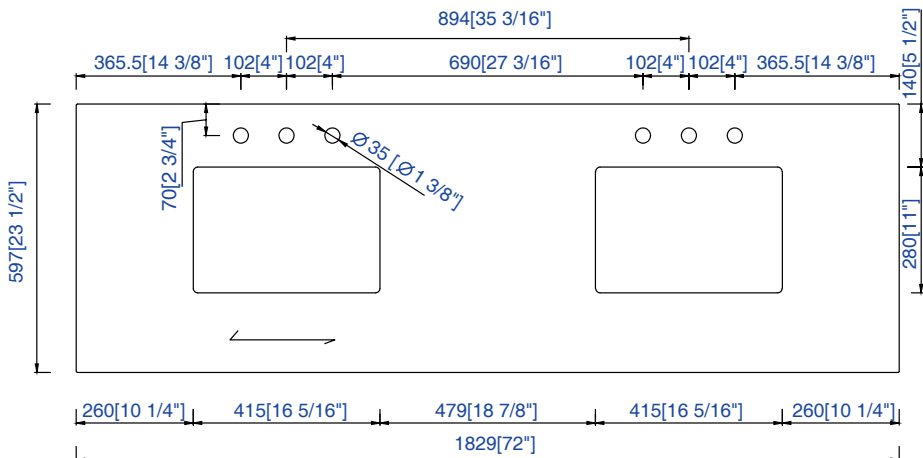
3cm/1.18"
Countertop



James Martin - Natural Stone Countertop Measurement Specification



James Martin - Natural Stone & Solid Surface Countertop Measurement Specification



James Martin - Quartz Countertop Measurement Specification

15"

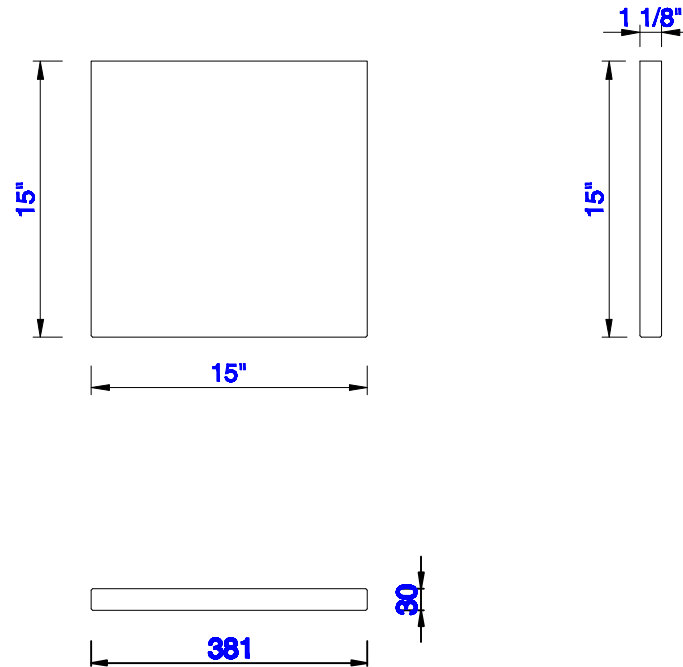
Item Number:
050-T15-CLW
050-T15-CSP
050-T15-EJP
050-T15-GEX
080-T15-AF
090-T15-CAR

JAMES MARTIN



VANITIES™

15" Top for Makeup Counter
Diagrams with Dimensions
page 01 of 01



381mm

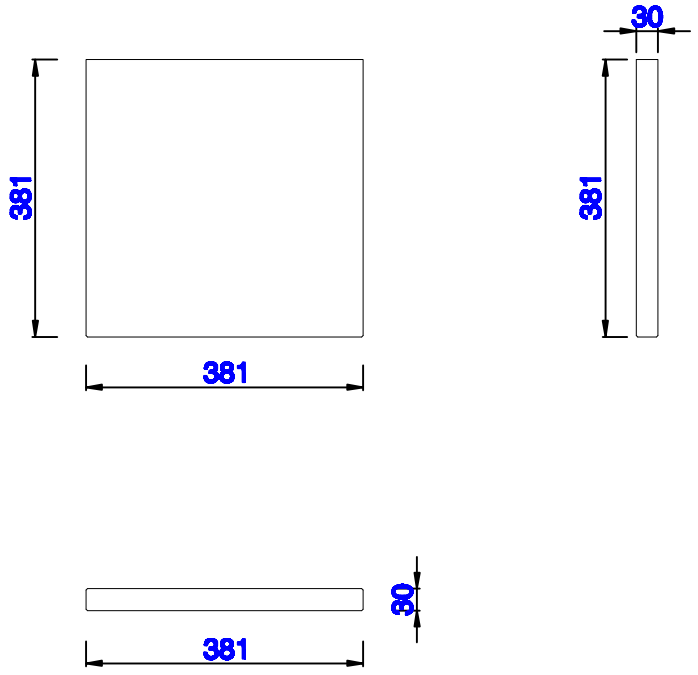
Item Number:
050-T15-CLW
050-T15-CSP
050-T15-EJP
050-T15-GEX
080-T15-AF
090-T15-CAR

JAMES MARTIN



VANITIES™

381mm Top for Makeup Counter
Diagrams with Dimensions
page 01 of 01

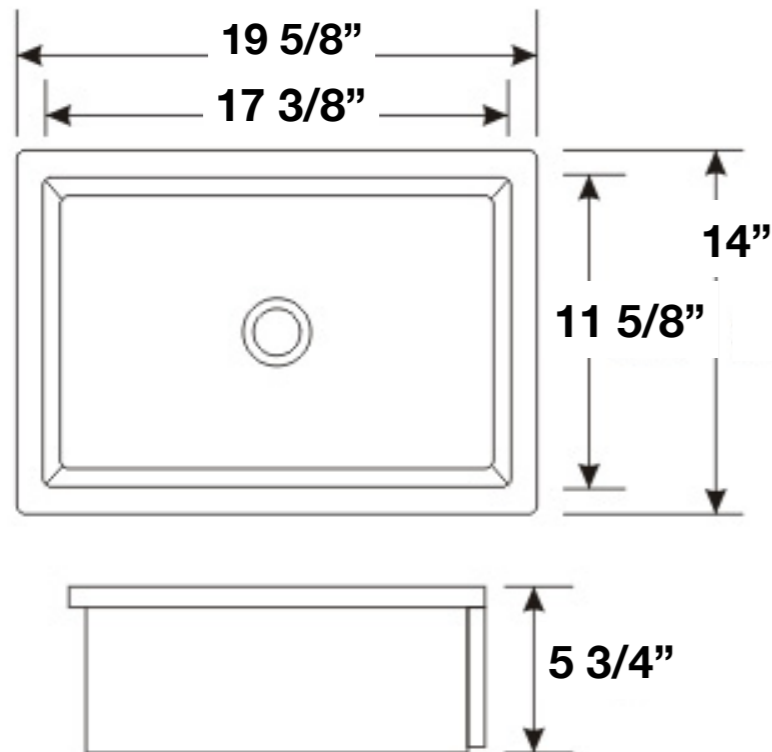




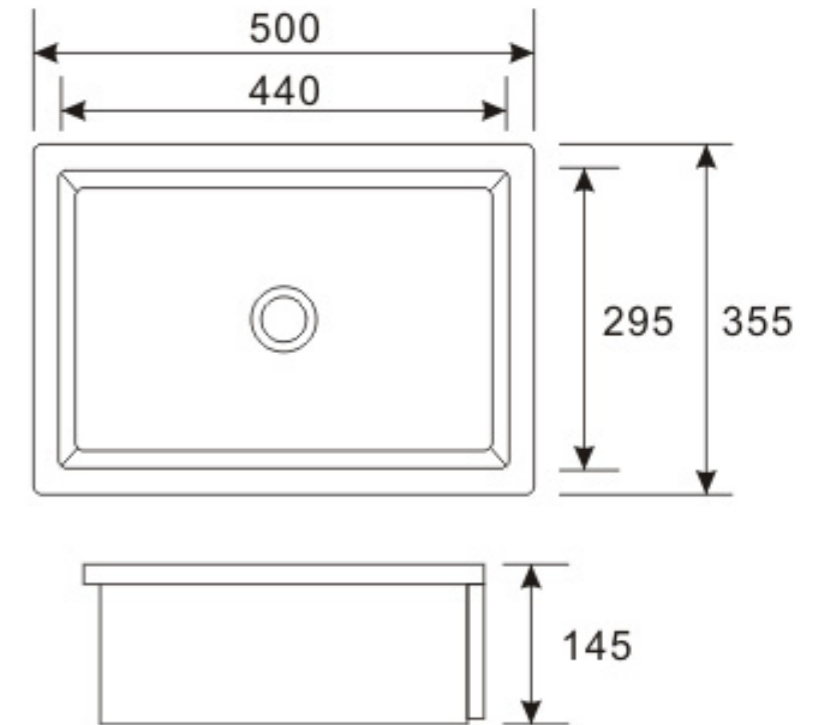
James Martin Vanities - Nova Rectangular Undermount Sink (Basin) **SNK-RCT-WHT**

Used with 3cm thickness premium rectangular countertops:
Silestone Quartz

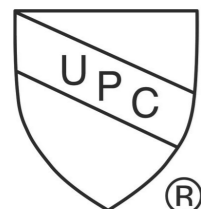
Imperial Measurements



Metric Measurements

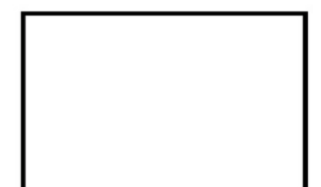


OD Size: 500 x 355 x 145 mm
19 5/8" x 14" x 5 6/8"
ID Size: 440 x 295 mm
17 3/8" x 11 5/8"



Complies with:
ASME A112.19.2-2013
CSA B45.1-13

white



2018 Rv.