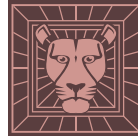


72"

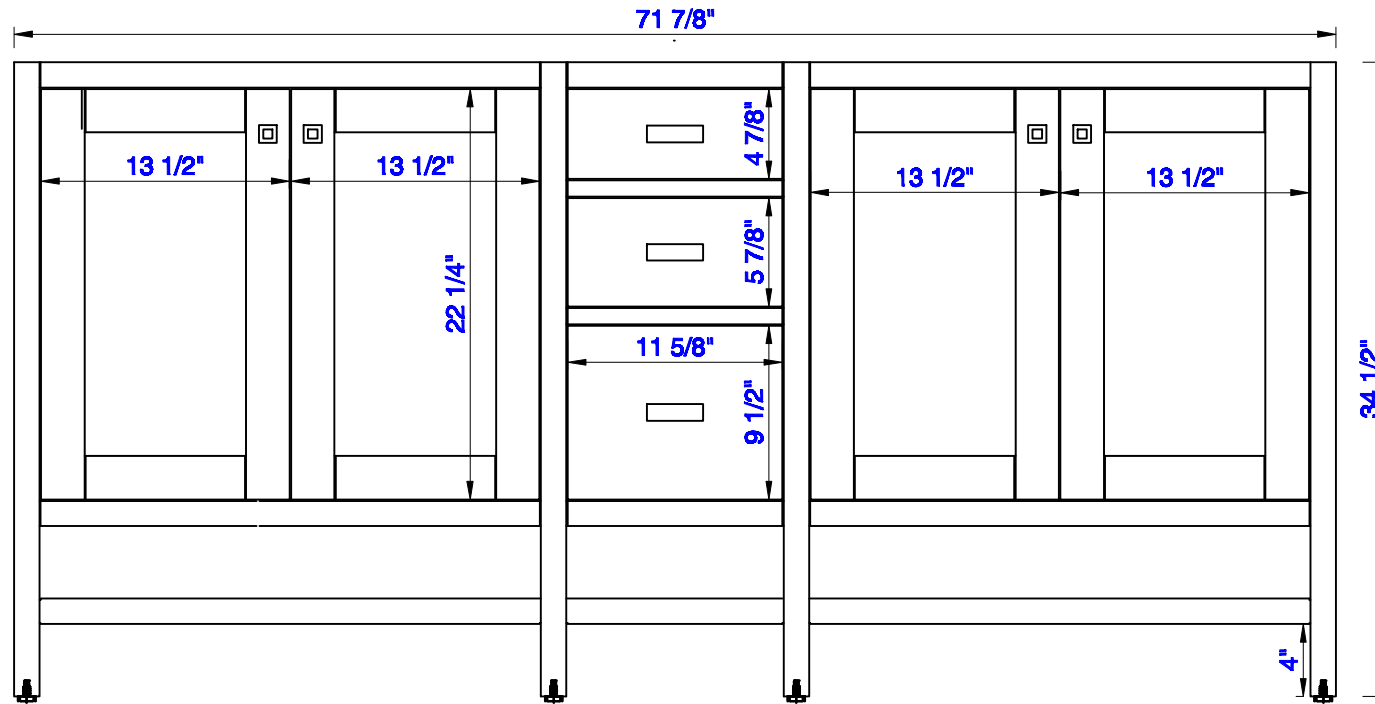
Item Number:  
E444-V72-MCA  
E444-V72-GW

JAMES MARTIN



VANITIES™

Addison 72" Double Cabinet  
Diagrams with Dimensions  
page 01 of 03



NOTE ONE: Countertops are not shown in these diagrams. (Cabinet Only)

NOTE TWO: This vanity does not have a Backsplash.

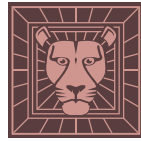
Please consult our website for Countertop Diagrams: [www.jamesmartinvanities.com](http://www.jamesmartinvanities.com)

Version:202009

72"

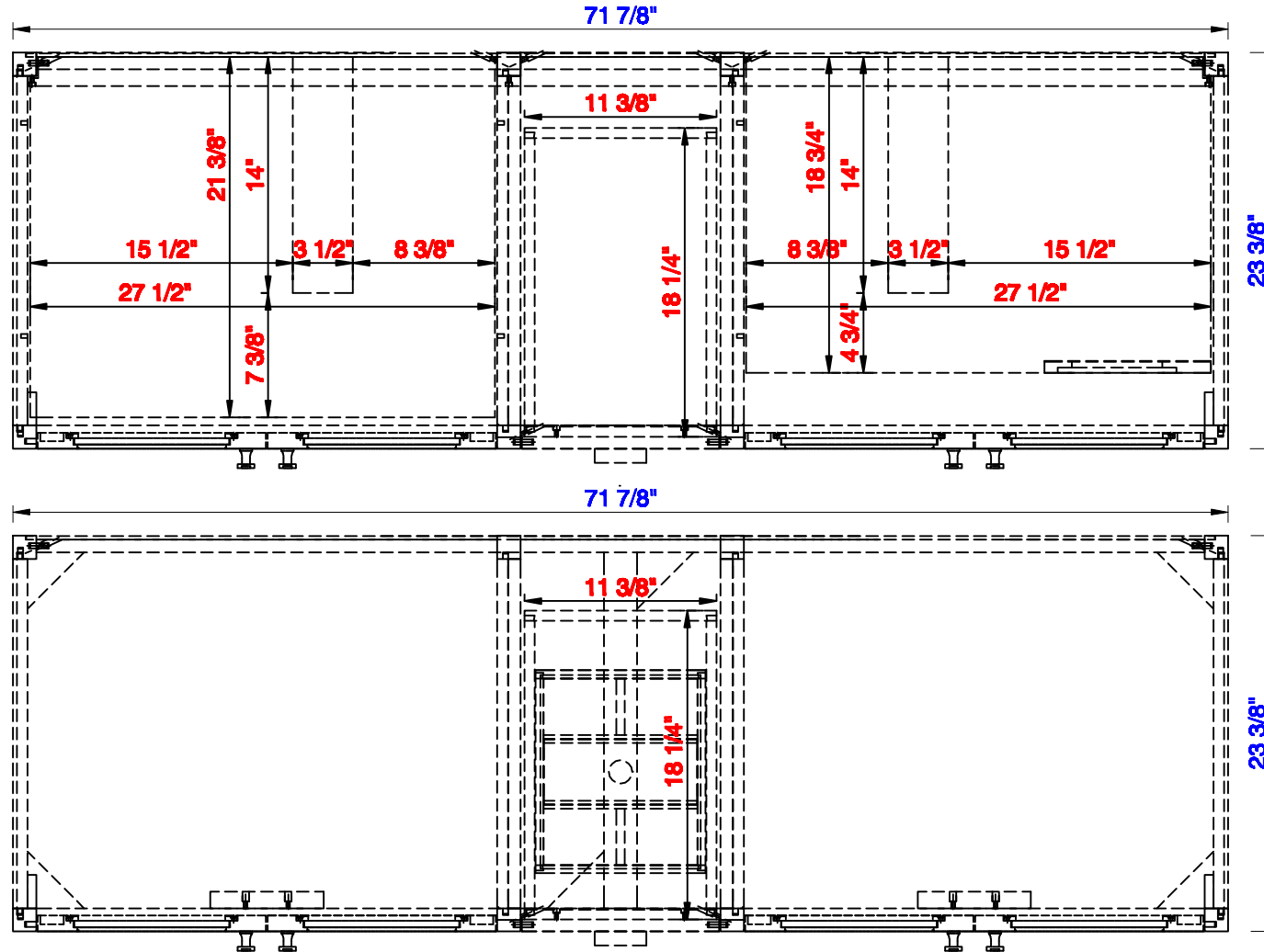
Item Number:  
E444-V72-MCA  
E444-V72-GW

JAMES MARTIN



VANITIES™

Addison 72" Double Cabinet  
Diagrams with Dimensions  
page 02 of 03



**NOTE ONE: Countertops are not shown in these diagrams. (Cabinet Only)**

**NOTE TWO: Internal Shelves (Shown) are designed to align with sinks in James Martin's Optional Countertops.**

**Customer's own countertops and sinks may align differently, and modification may be required.**

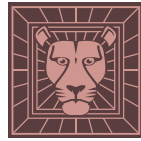
**Please consult our website for Countertop Diagrams: [www.jamesmartinvanities.com](http://www.jamesmartinvanities.com)**

Version:202009

72"

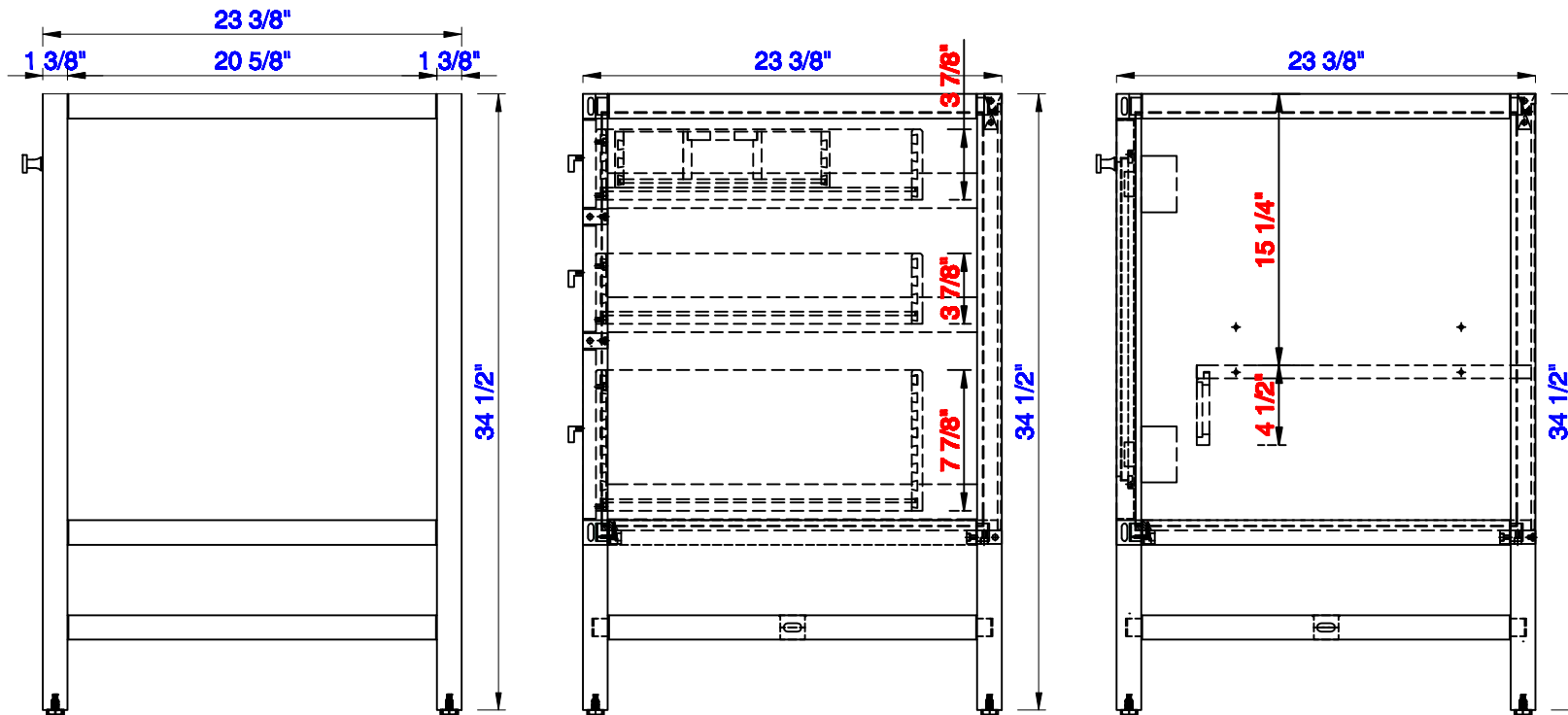
Item Number:  
E444-V72-MCA  
E444-V72-GW

JAMES MARTIN



VANITIES™

Addison 72" Double Cabinet  
Diagrams with Dimensions  
page 03 of 03



NOTE ONE: Countertops are not shown in these diagrams. (Cabinet Only)

NOTE TWO: This vanity does not have a Backsplash.

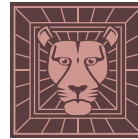
Please consult our website for Countertop Diagrams: [www.jamesmartinvanities.com](http://www.jamesmartinvanities.com)

Version:202009

1829mm

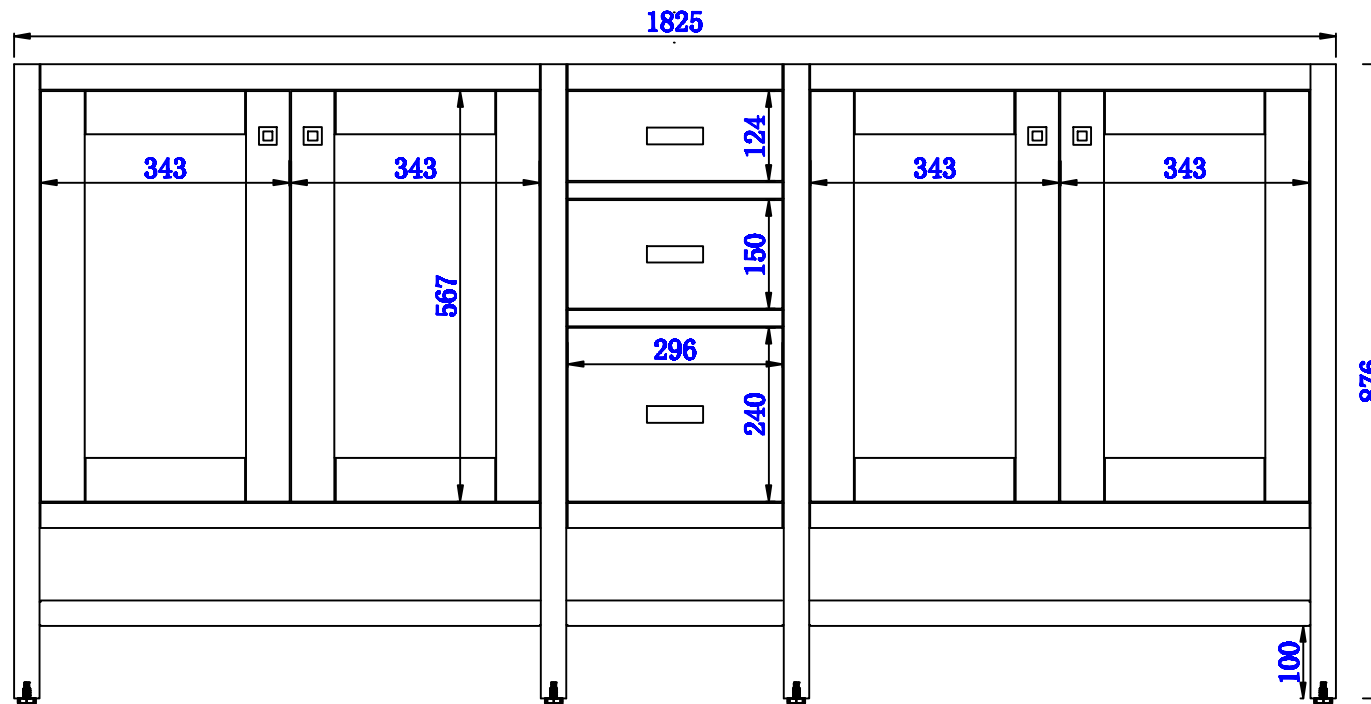
Item Number:  
E444-V72-MCA  
E444-V72-GW

JAMES MARTIN



VANITIES™

Addison 1829mm Double Cabinet  
Diagrams with Dimensions  
page 01 of 03



NOTE ONE: Countertops are not shown in these diagrams. (Cabinet Only)

NOTE TWO: This vanity does not have a Backsplash.

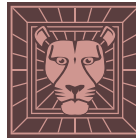
Please consult our website for Countertop Diagrams: [www.jamesmartinvanities.com](http://www.jamesmartinvanities.com)

Version:202009

1829mm

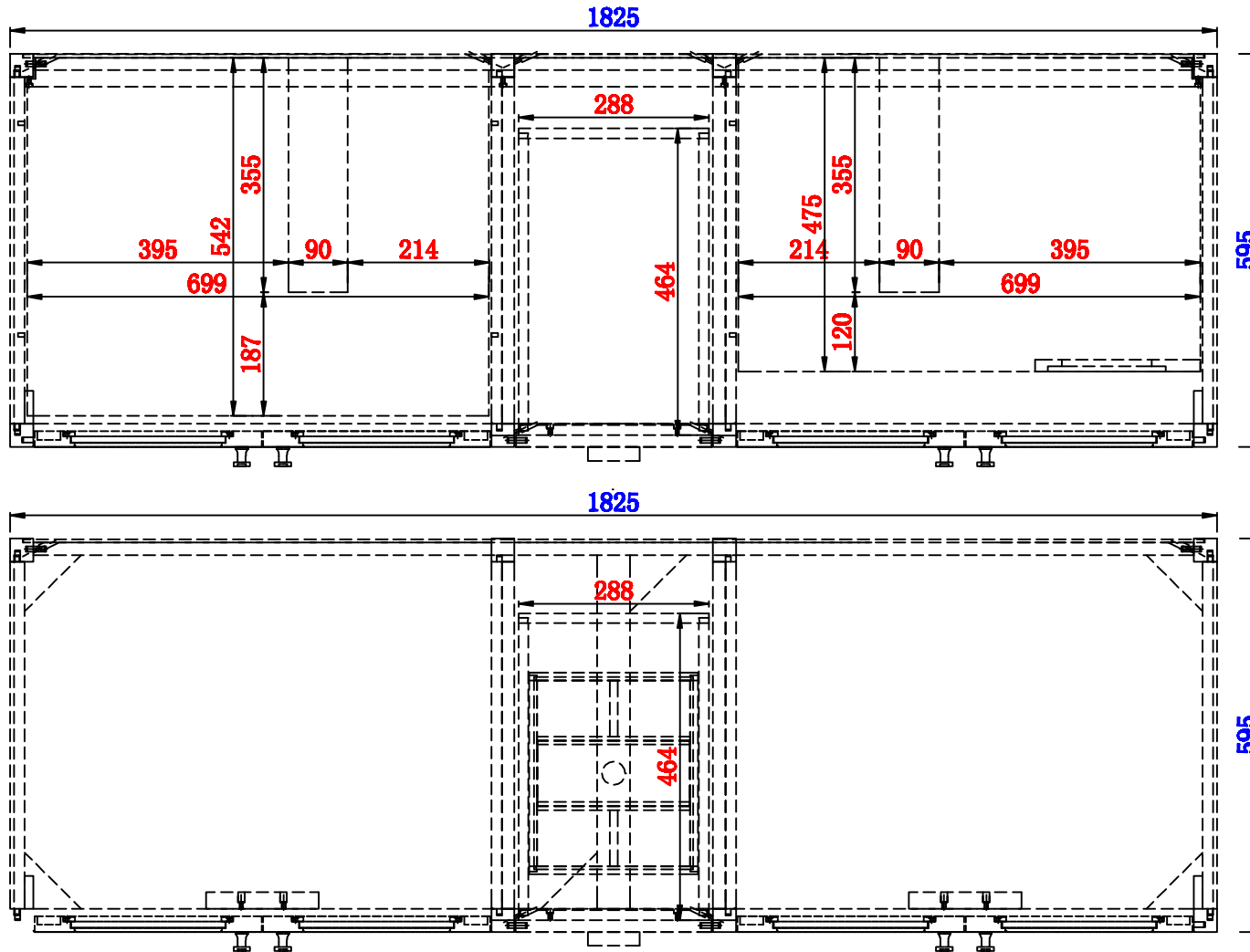
Item Number:  
E444-V72-MCA  
E444-V72-GW

JAMES MARTIN



VANITIES™

Addison 1829mm Double Cabinet  
Diagrams with Dimensions  
page 02 of 03



**NOTE ONE:** Countertops are not shown in these diagrams. (Cabinet Only)

**NOTE TWO:** Internal Shelves (Shown) are designed to align with sinks in James Martin's Optional Countertops.

Customer's own countertops and sinks may align differently, and modification may be required.

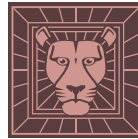
Please consult our website for Countertop Diagrams: [www.jamesmartinvanities.com](http://www.jamesmartinvanities.com)

Version:202009

1829mm

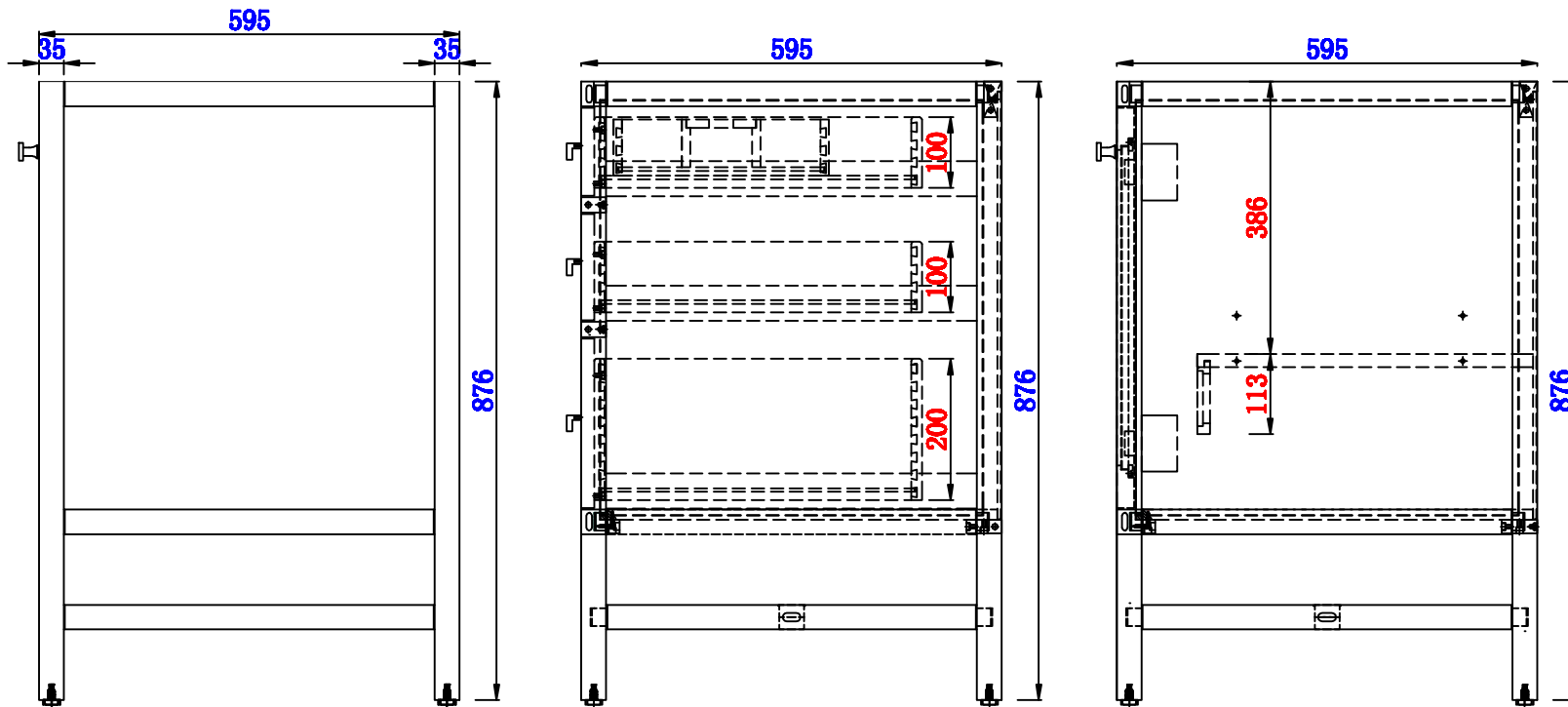
Item Number:  
E444-V72-MCA  
E444-V72-GW

JAMES MARTIN



VANITIES™

Addison 1829mm Double Cabinet  
Diagrams with Dimensions  
page 03 of 03



**NOTE ONE:** Countertops are not shown in these diagrams. (Cabinet Only)

**NOTE TWO:** This vanity does not have a Backsplash.

Please consult our website for Countertop Diagrams: [www.jamesmartinvanities.com](http://www.jamesmartinvanities.com)

Version:202009

71 7/8"

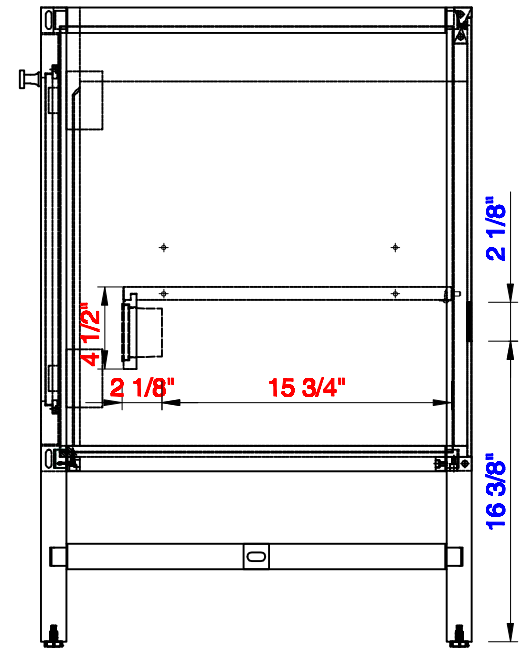
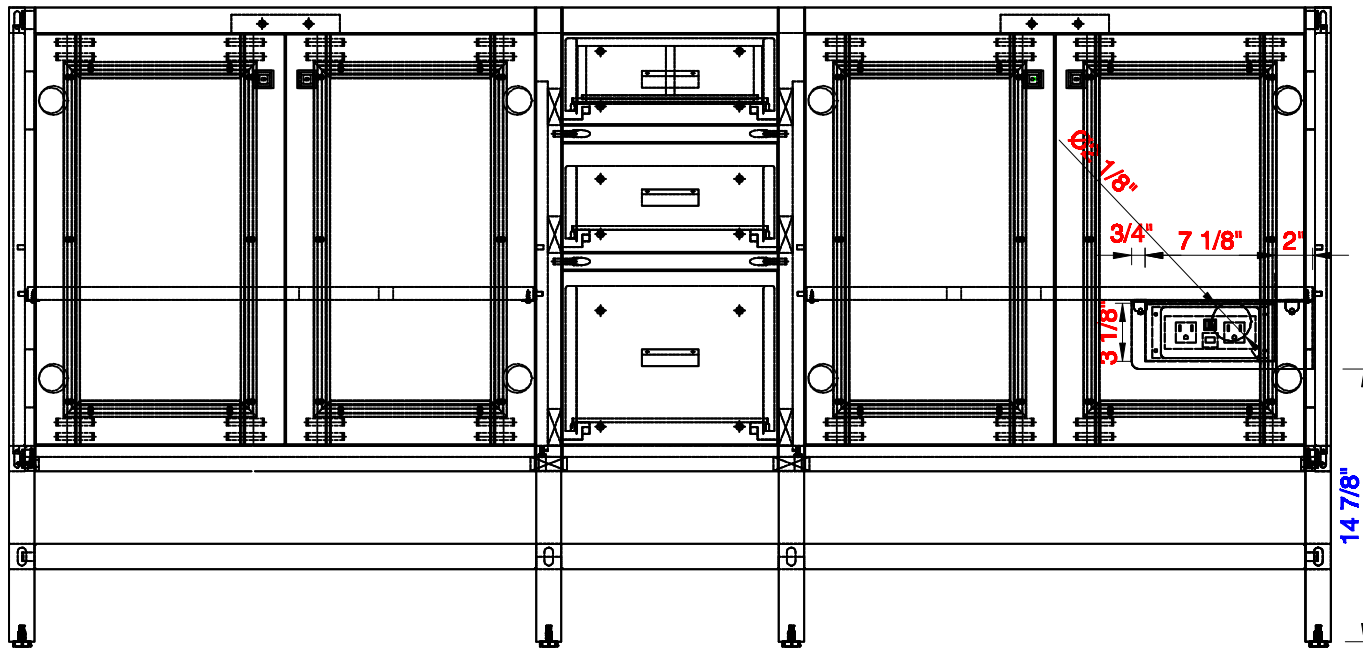
Item Number:  
E444-V72-MCA

JAMES MARTIN



VANITIES™

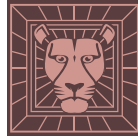
Addison 71 7/8" Double Cabinet  
Diagrams with Dimensions  
page 01 of 01



1825mm

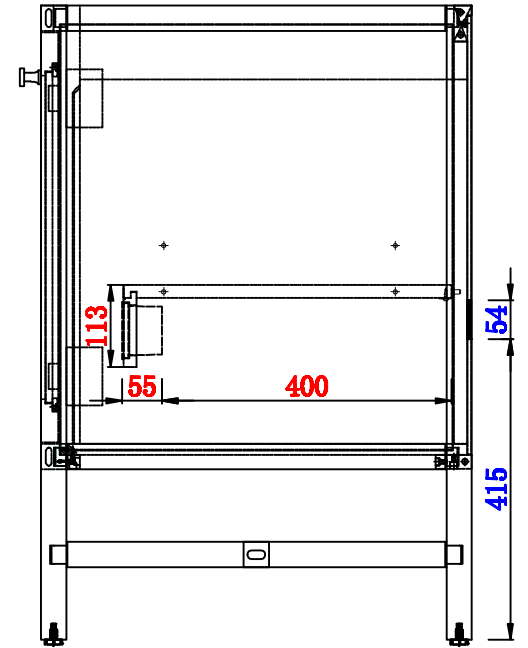
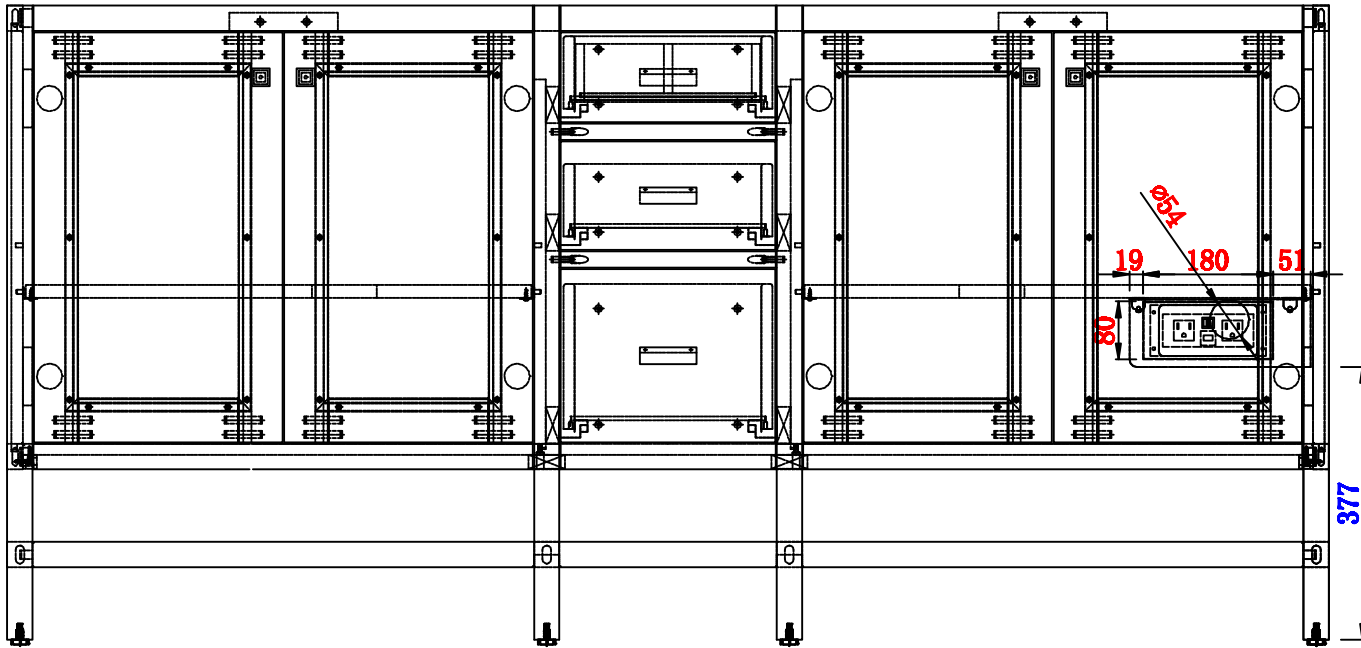
Item Number:  
E444-V72-MCA

JAMES MARTIN



VANITIES™

Addison 1825mm Double Cabinet  
Diagrams with Dimensions  
page 01 of 01

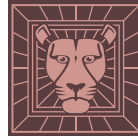




30"

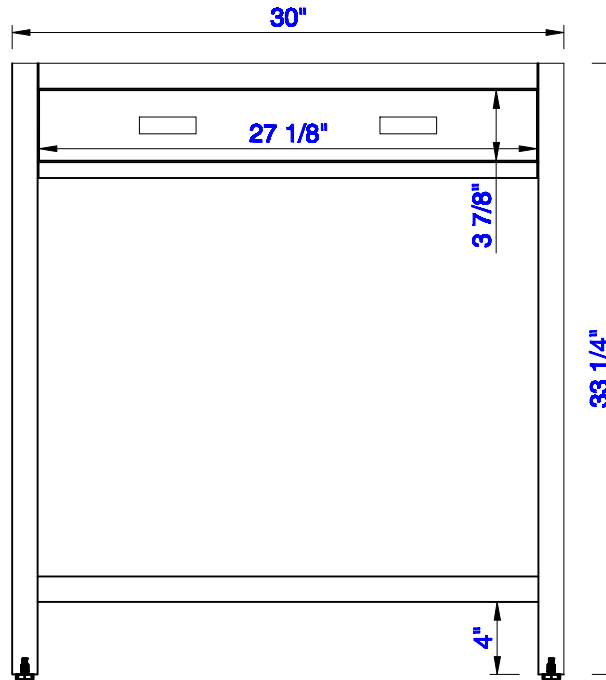
Item Number:  
E444-CU30-MCA  
E444-CU30-GW

JAMES MARTIN



VANITIES™

Addison 30" Free-standing Countertop Unit  
Diagrams with Dimensions  
page 01 of 03



NOTE ONE: Countertops are not shown in these diagrams. (Cabinet Only)

NOTE TWO: This Cabinet does not have a Backsplash.

Please consult our website for Countertop Diagrams: [www.jamesmartinvanities.com](http://www.jamesmartinvanities.com)

Version:202009

30"

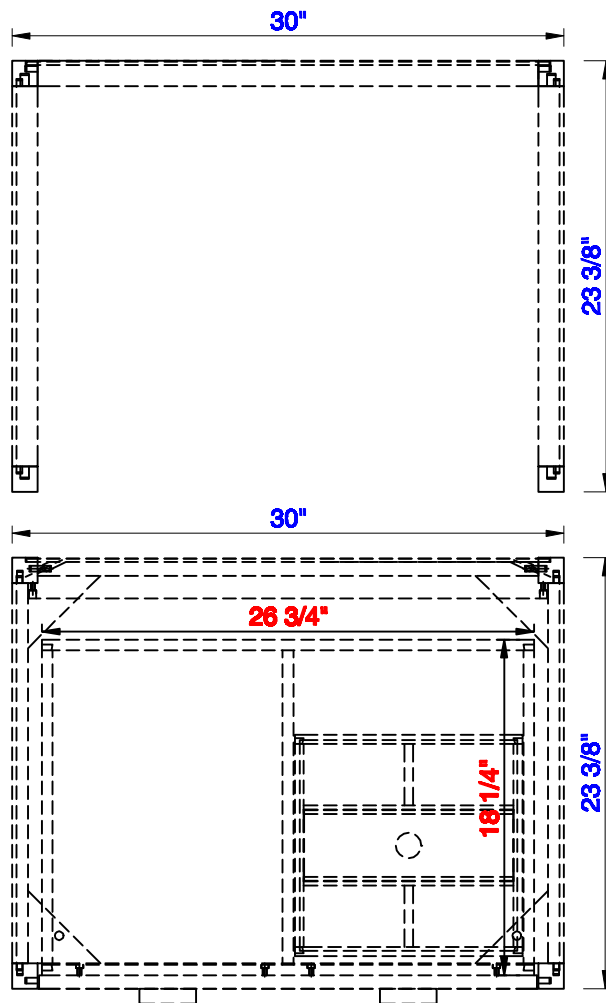
Item Number:  
E444-CU30-MCA  
E444-CU30-GW

JAMES MARTIN



VANITIES™

Addison 30" Free-standing Countertop Unit  
Diagrams with Dimensions  
page 02 of 03



**NOTE ONE: Countertops are not shown in these diagrams. (Cabinet Only)**  
Please consult our website for Countertop Diagrams: [www.jamesmartinvanities.com](http://www.jamesmartinvanities.com)

Version:202009

30"

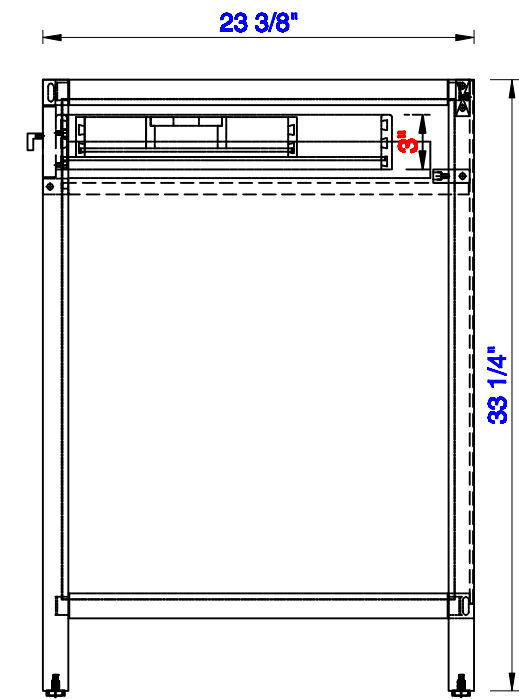
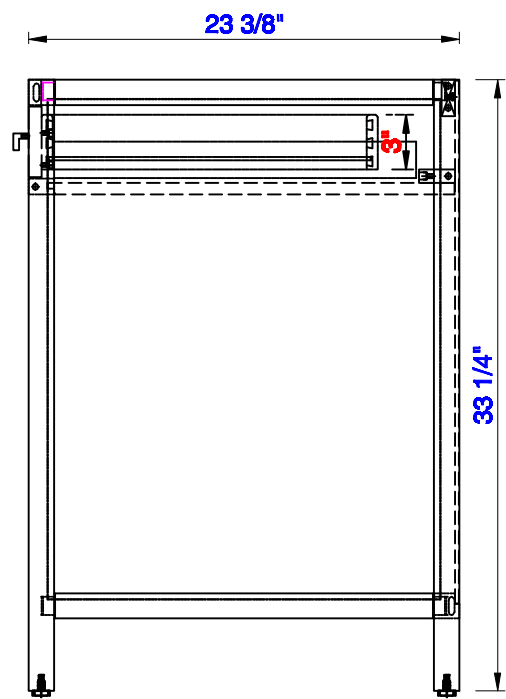
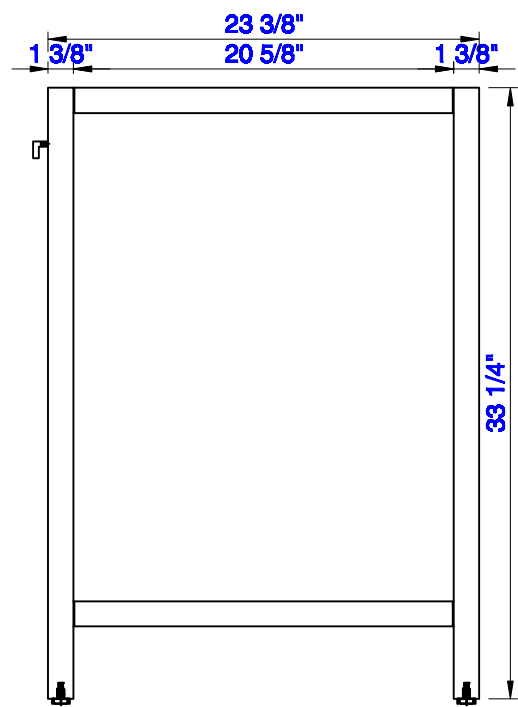
Item Number:  
E444-CU30-MCA  
E444-CU30-GW

JAMES MARTIN



VANITIES™

Addison 30" Free-standing Countertop Unit  
Diagrams with Dimensions  
page 03 of 03



NOTE ONE: Countertops are not shown in these diagrams. (Cabinet Only)

NOTE TWO: This Cabinet does not have a Backsplash.

Please consult our website for Countertop Diagrams: [www.jamesmartinvanities.com](http://www.jamesmartinvanities.com)

Version:202009

762mm

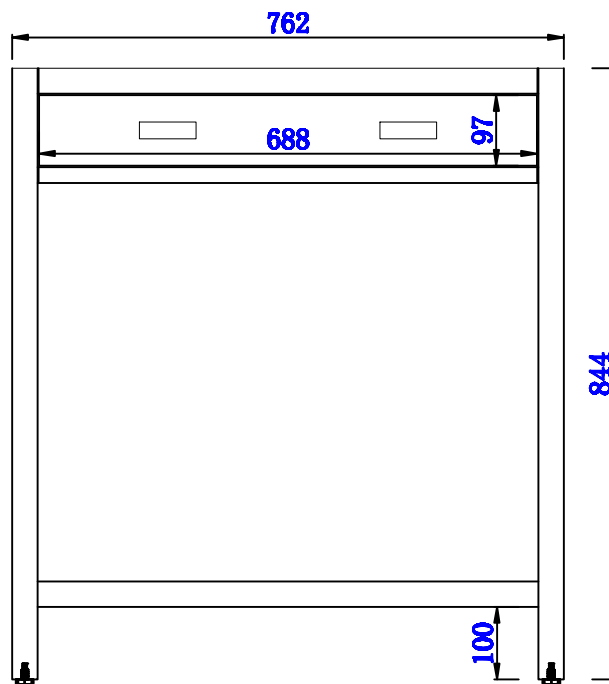
Item Number:  
E444-CU30-MCA  
E444-CU30-GW

JAMES MARTIN



VANITIES™

Addison 762mm Free-standing Countertop  
Unit Diagrams with Dimensions  
page 01 of 03



**NOTE ONE:** Countertops are not shown in these diagrams. (Cabinet Only)

**NOTE TWO:** This Cabinet does not have a Backsplash.

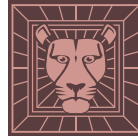
Please consult our website for Countertop Diagrams: [www.jamesmartinvanities.com](http://www.jamesmartinvanities.com)

Version:202009

762mm

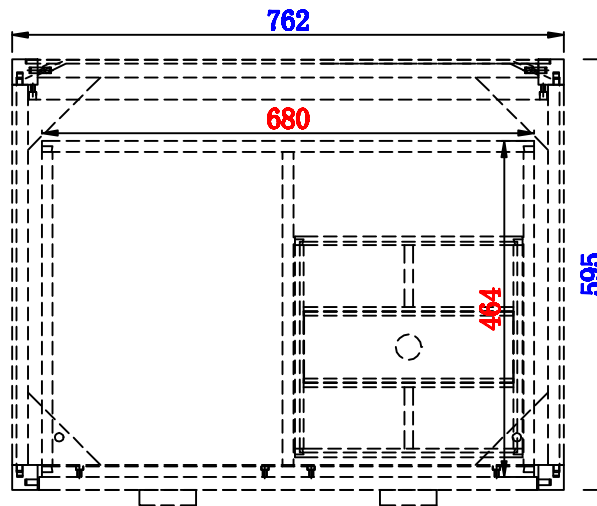
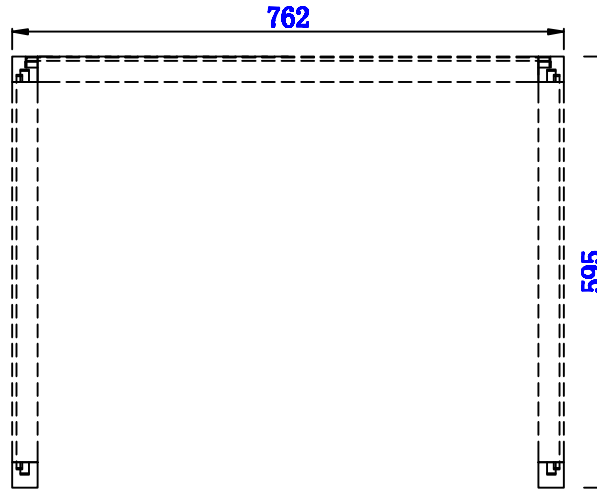
Item Number:  
E444-CU30-MCA  
E444-CU30-GW

JAMES MARTIN



VANITIES™

Addison 762mm Free-standing Countertop  
Unit Diagrams with Dimensions  
page 02 of 03



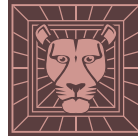
**NOTE ONE: Countertops are not shown in these diagrams. (Cabinet Only)**  
Please consult our website for Countertop Diagrams: [www.jamesmartinvanities.com](http://www.jamesmartinvanities.com)

Version:202009

762mm

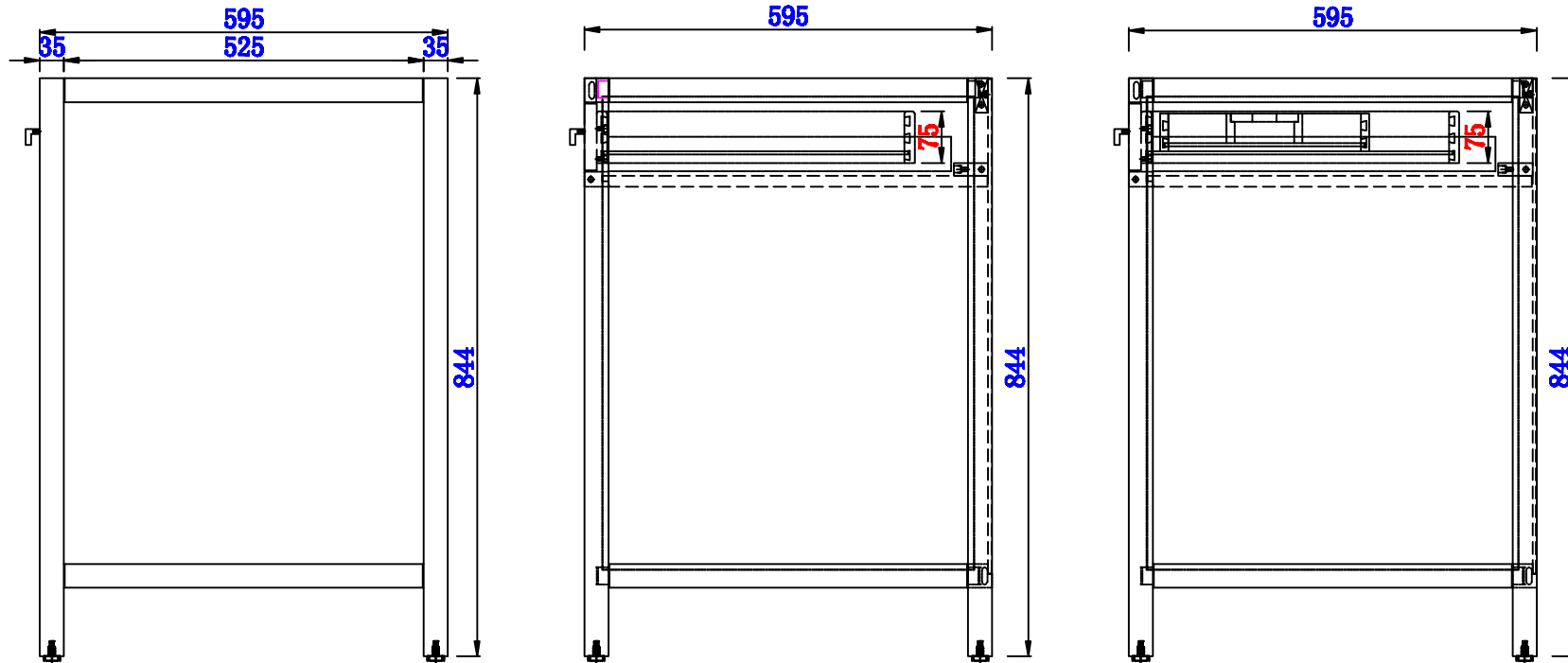
Item Number:  
E444-CU30-MCA  
E444-CU30-GW

JAMES MARTIN



VANITIES™

Addison 762mm Free-standing Countertop  
Unit Diagrams with Dimensions  
page 03 of 03



**NOTE ONE:** Countertops are not shown in these diagrams. (Cabinet Only)

**NOTE TWO:** This Cabinet does not have a Backsplash.

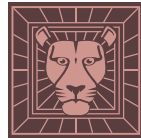
Please consult our website for Countertop Diagrams: [www.jamesmartinvanities.com](http://www.jamesmartinvanities.com)

Version:202009

15"

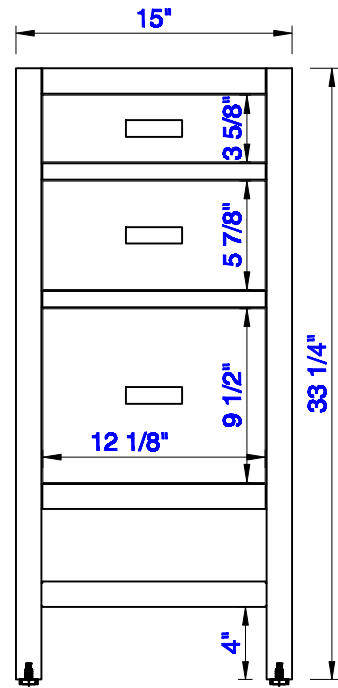
Item Number:  
E444-BC15-MCA  
E444-BC15-GW

JAMES MARTIN



VANITIES™

Addison 15" Base Cabinet with Drawers  
Diagrams with Dimensions  
page 01 of 03



NOTE ONE: Countertops are not shown in these diagrams. (Cabinet Only)

NOTE TWO: This Cabinet does not have a Backsplash.

Please consult our website for Countertop Diagrams: [www.jamesmartinvanities.com](http://www.jamesmartinvanities.com)

Version:202009

15"

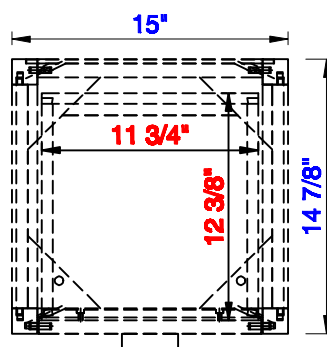
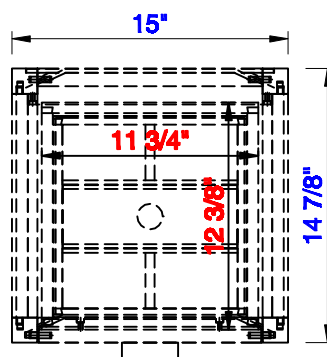
Item Number:  
E444-BC15-MCA  
E444-BC15-GW

JAMES MARTIN



VANITIES™

Addison 15" Base Cabinet with Drawers  
Diagrams with Dimensions  
page 02 of 03



**NOTE ONE: Countertops are not shown in these diagrams. (Cabinet Only)**  
Please consult our website for Countertop Diagrams: [www.jamesmartinvanities.com](http://www.jamesmartinvanities.com)

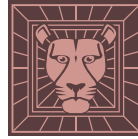
Version:202009



15"

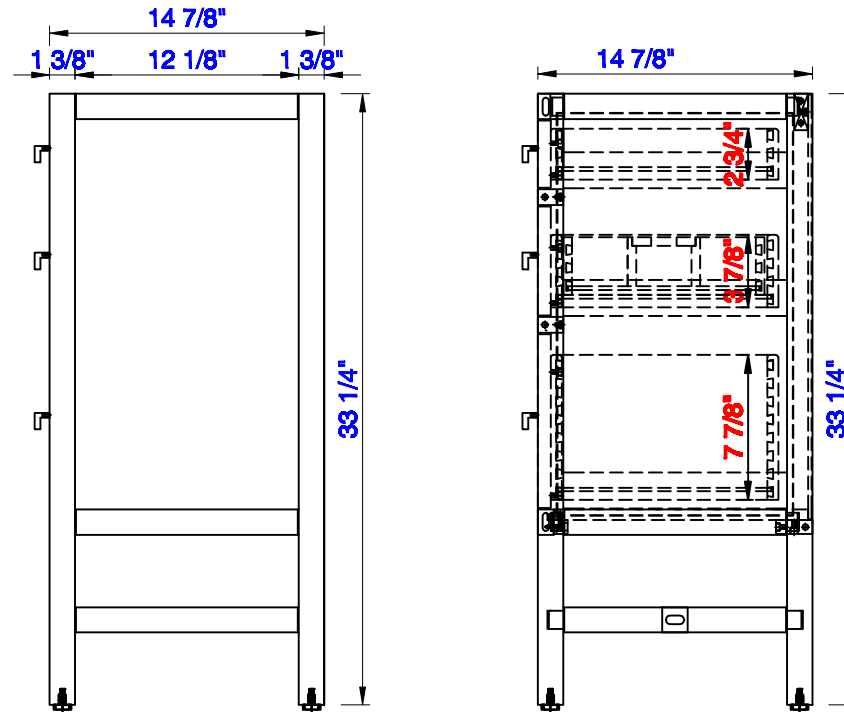
Item Number:  
E444-BC15-MCA  
E444-BC15-GW

JAMES MARTIN



VANITIES™

Addison 15" Base Cabinet with Drawers  
Diagrams with Dimensions  
page 03 of 03



**NOTE ONE:** Countertops are not shown in these diagrams. (Cabinet Only)

**NOTE TWO:** This Cabinet does not have a Backsplash.

Please consult our website for Countertop Diagrams: [www.jamesmartinvanities.com](http://www.jamesmartinvanities.com)

Version:202009

381mm

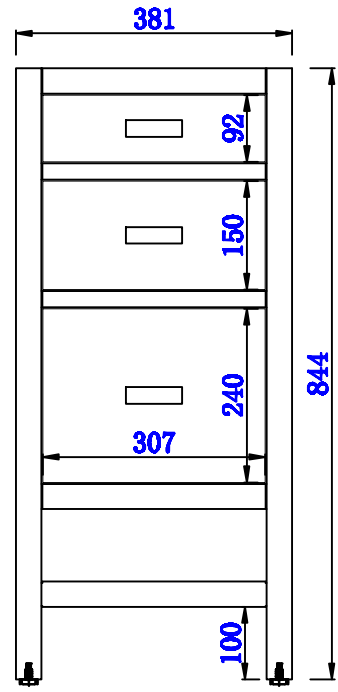
Item Number:  
E444-BC15-MCA  
E444-BC15-GW

JAMES MARTIN



VANITIES™

Addison 381mm Base Cabinet with Drawers  
Diagrams with Dimensions  
page 01 of 03



**NOTE ONE:** Countertops are not shown in these diagrams. (Cabinet Only)

**NOTE TWO:** This Cabinet does not have a Backsplash.

Please consult our website for Countertop Diagrams: [www.jamesmartinvanities.com](http://www.jamesmartinvanities.com)

Version:202009

381mm

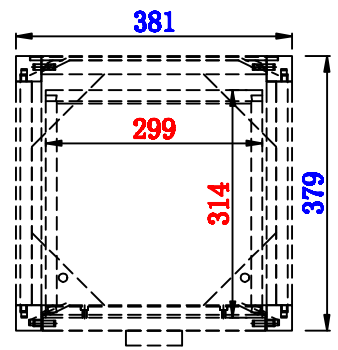
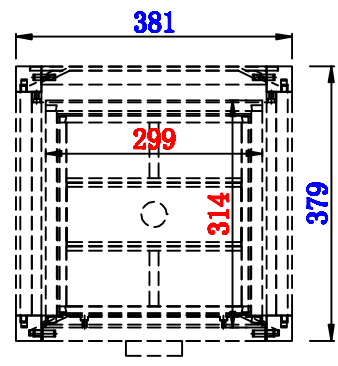
Item Number:  
E444-BC15-MCA  
E444-BC15-GW

JAMES MARTIN



VANITIES™

Addison 381mm Base Cabinet with Drawers  
Diagrams with Dimensions  
page 02 of 03



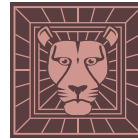
**NOTE ONE: Countertops are not shown in these diagrams. (Cabinet Only)**  
Please consult our website for Countertop Diagrams: [www.jamesmartinvanities.com](http://www.jamesmartinvanities.com)

Version:202009

381mm

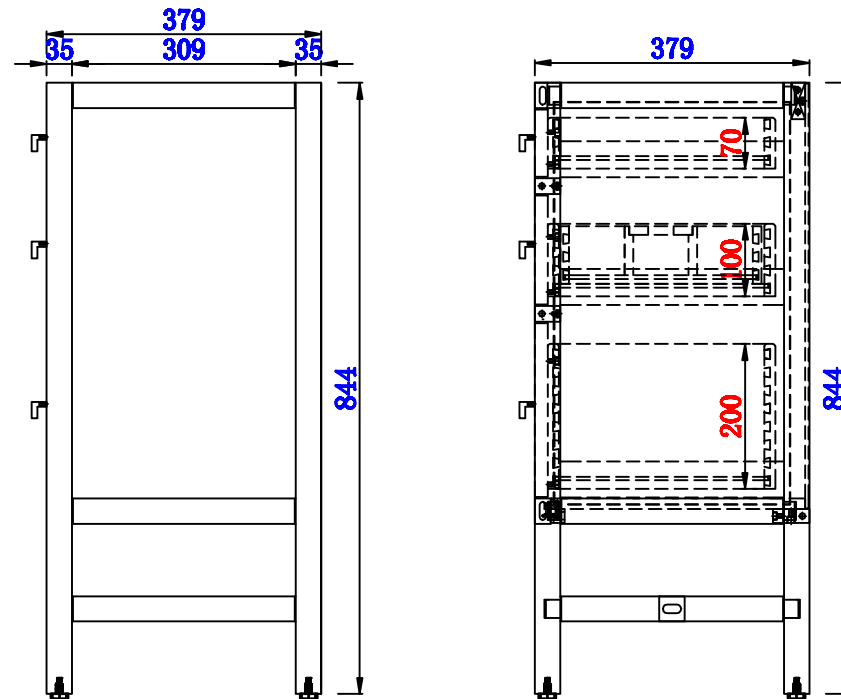
Item Number:  
E444-BC15-MCA  
E444-BC15-GW

JAMES MARTIN



VANITIES™

Addison 381mm Base Cabinet with Drawers  
Diagrams with Dimensions  
page 03 of 03



**NOTE ONE:** Countertops are not shown in these diagrams. (Cabinet Only)

**NOTE TWO:** This Cabinet does not have a Backsplash.

Please consult our website for Countertop Diagrams: [www.jamesmartinvanities.com](http://www.jamesmartinvanities.com)

Version:202009

15"

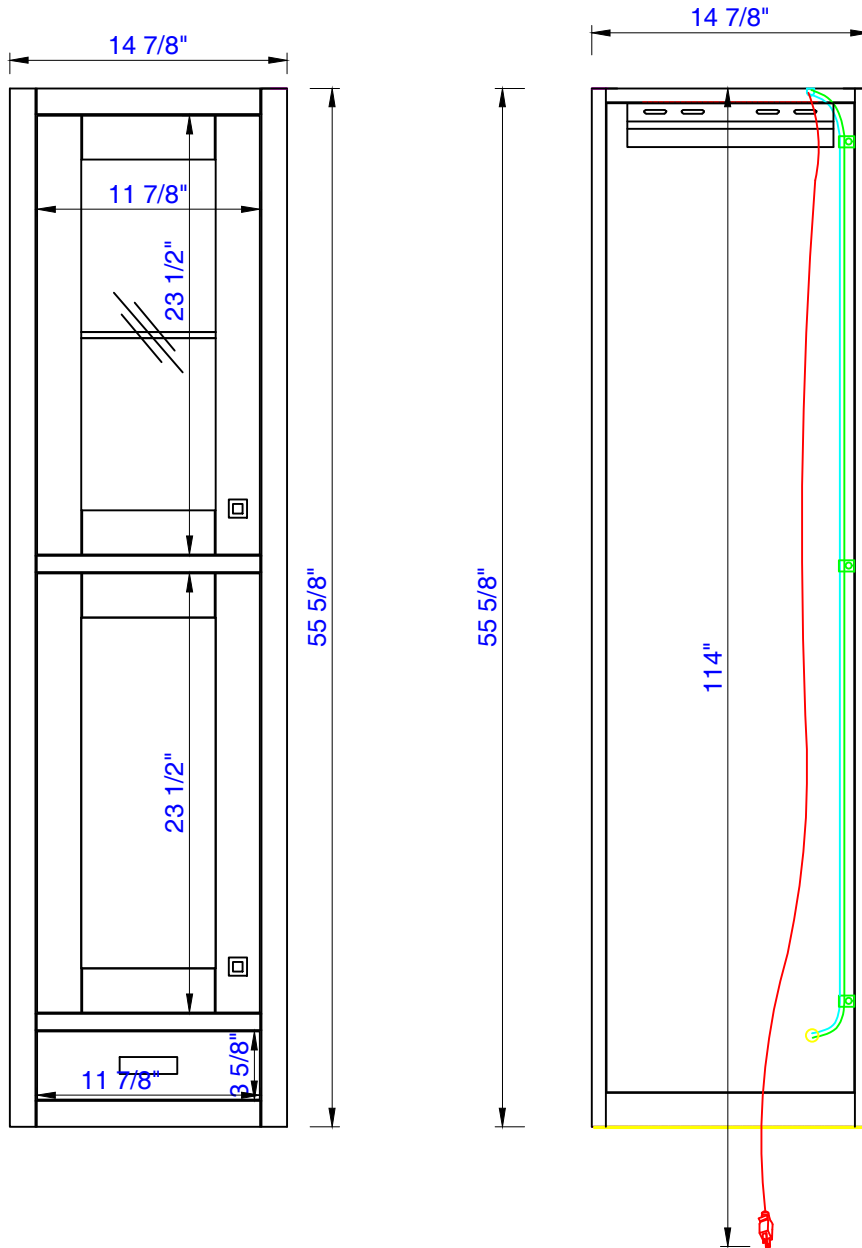
Item Number:  
E444-H15L-MCA  
E444-H15L-GW

JAMES MARTIN



VANITIES™

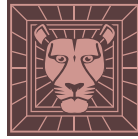
Addison 15" Grand Tower Hutch - Left  
Diagrams with Dimensions  
page 01 of 03



15"

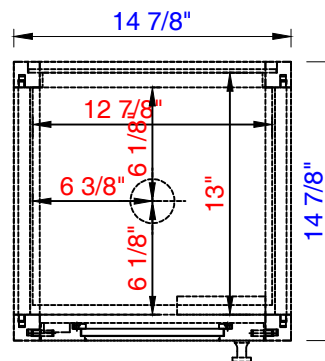
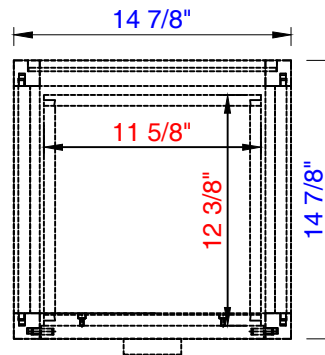
Item Number:  
E444-H15L-MCA  
E444-H15L-GW

JAMES MARTIN



VANITIES™

Addison 15" Grand Tower Hutch - Left  
Diagrams with Dimensions  
page 02 of 03



15"

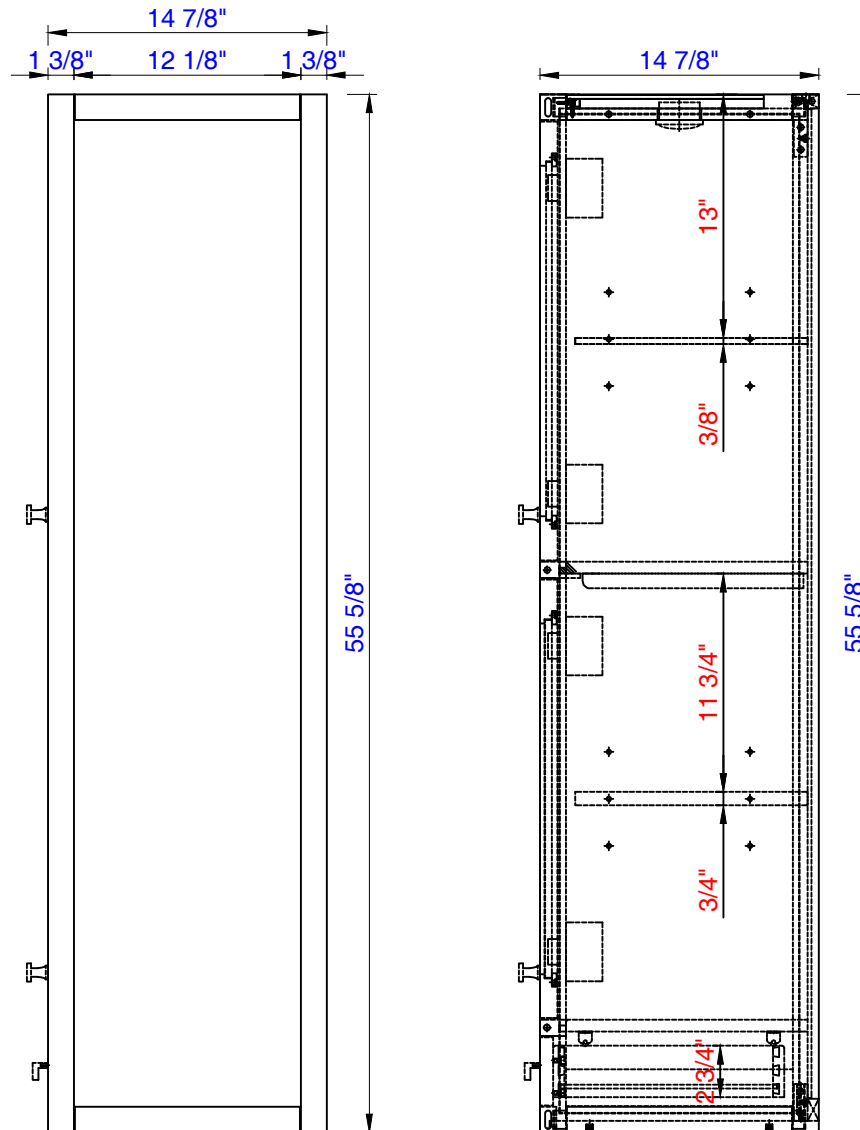
Item Number:  
E444-H15L-MCA  
E444-H15L-GW

JAMES MARTIN



VANITIES™

Addison 15" Grand Tower Hutch - Left  
Diagrams with Dimensions  
page 03 of 03



381mm

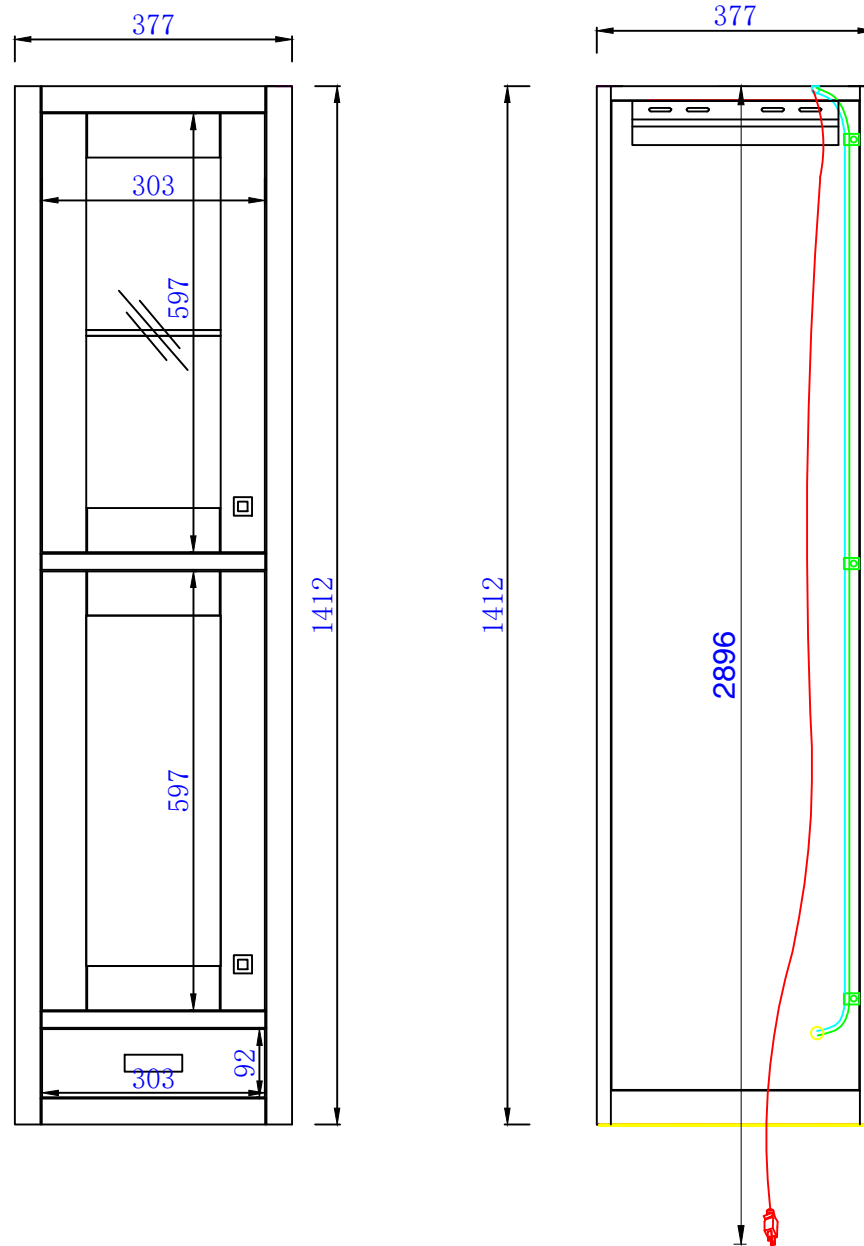
Item Number:  
E444-H15L-MCA  
E444-H15L-GW

JAMES MARTIN



VANITIES™

Addison 381mm Grand Tower Hutch - Left  
Diagrams with Dimensions  
page 01 of 03

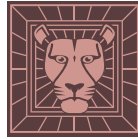




381mm

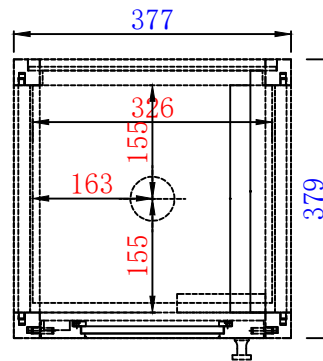
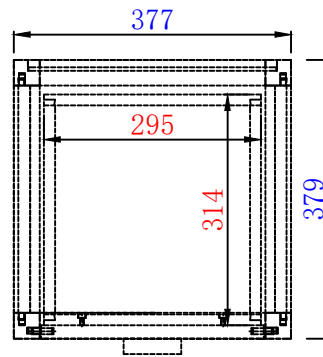
Item Number:  
E444-H15L-MCA  
E444-H15L-GW

JAMES MARTIN



VANITIES™

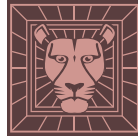
Addison 381mm Grand Tower Hutch - Left  
Diagrams with Dimensions  
page 02 of 03



381mm

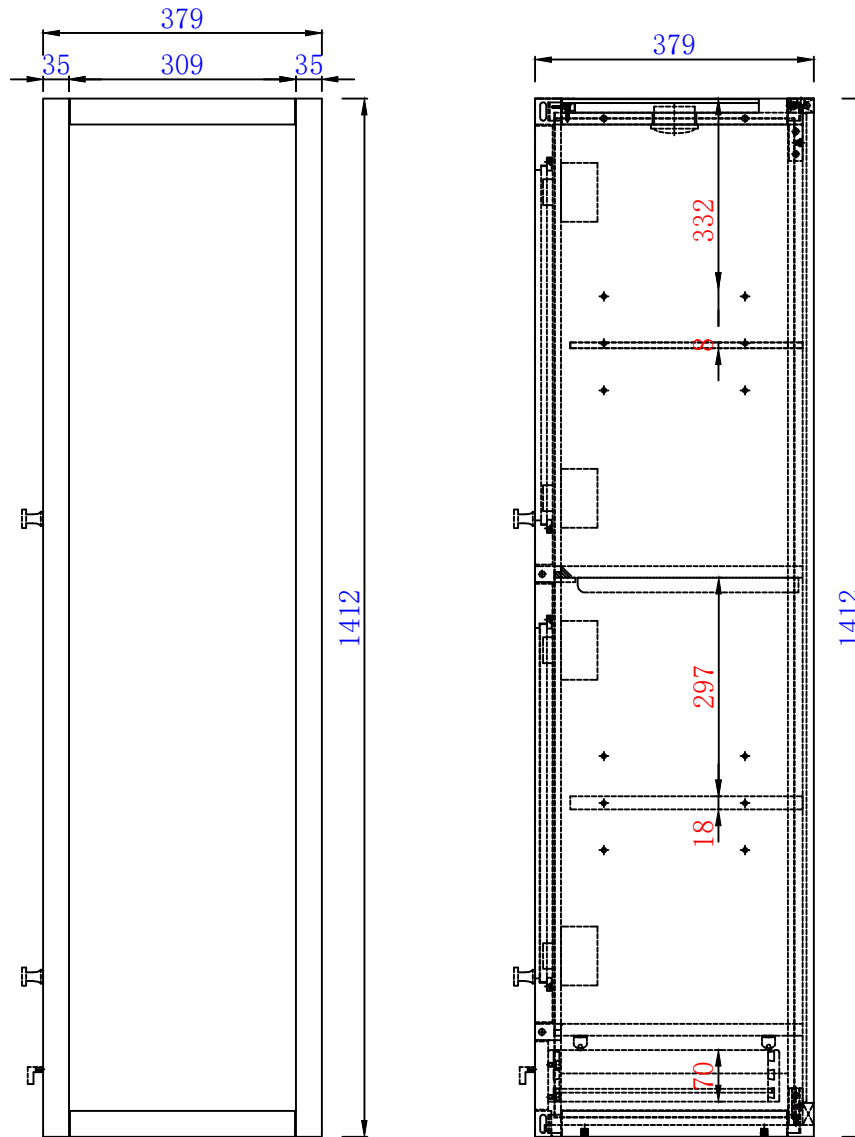
Item Number:  
E444-H15L-MCA  
E444-H15L-GW

JAMES MARTIN



VANITIES™

Addison 381mm Grand Tower Hutch - Left  
Diagrams with Dimensions  
page 03 of 03



15"

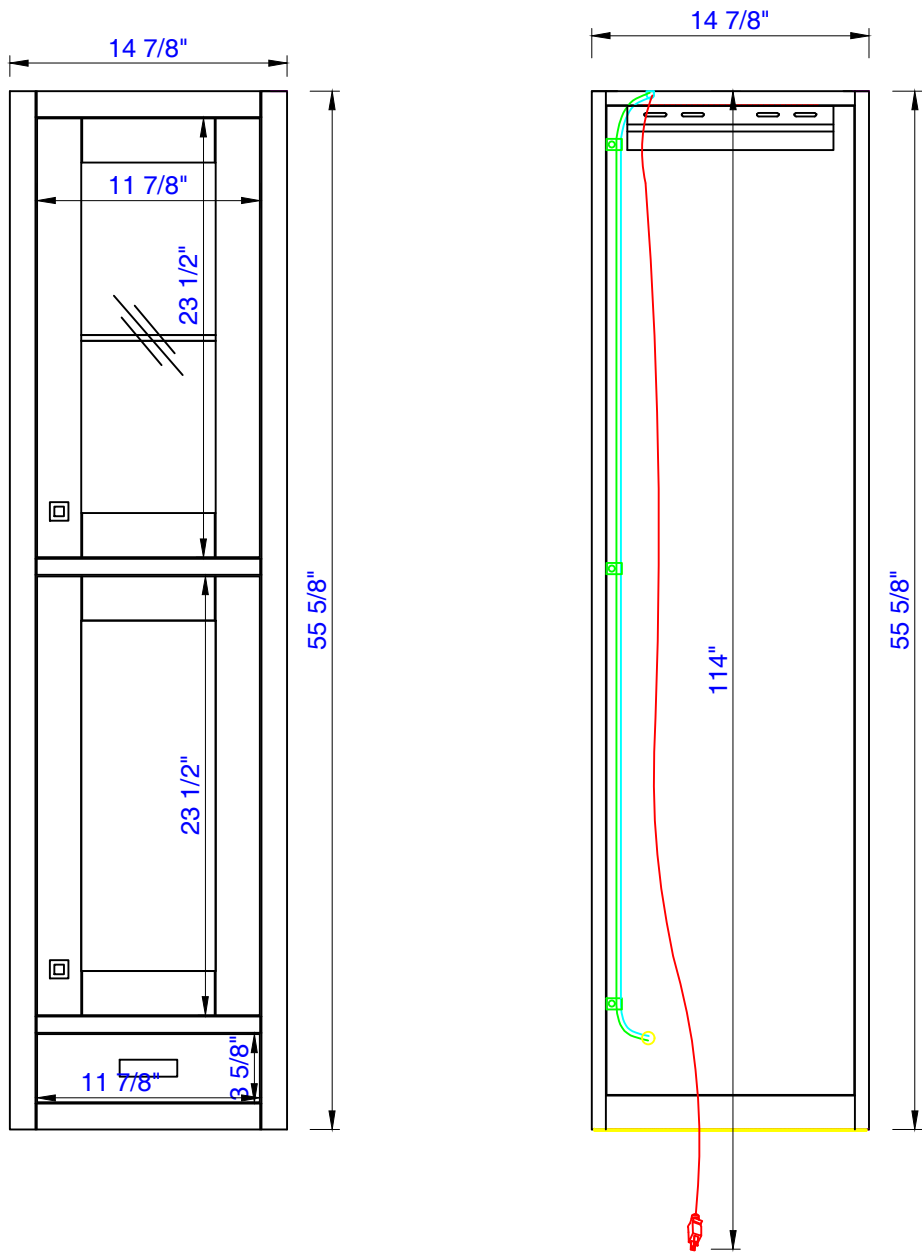
Item Number:  
E444-H15R-MCA  
E444-H15R-GW

JAMES MARTIN



VANITIES™

Addison 15" Grand Tower Hutch - Right  
Diagrams with Dimensions  
page 01 of 03



15"

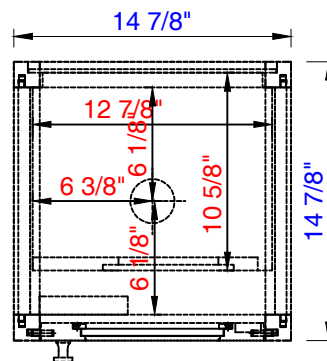
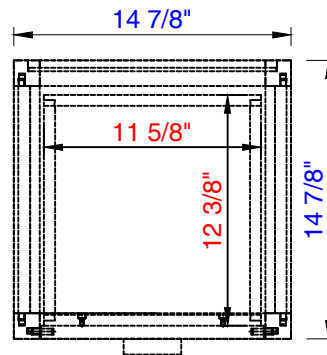
Item Number:  
E444-H15R-MCA  
E444-H15R-GW

JAMES MARTIN



VANITIES™

Addison 15" Grand Tower Hutch - Right  
Diagrams with Dimensions  
page 02 of 03



15"

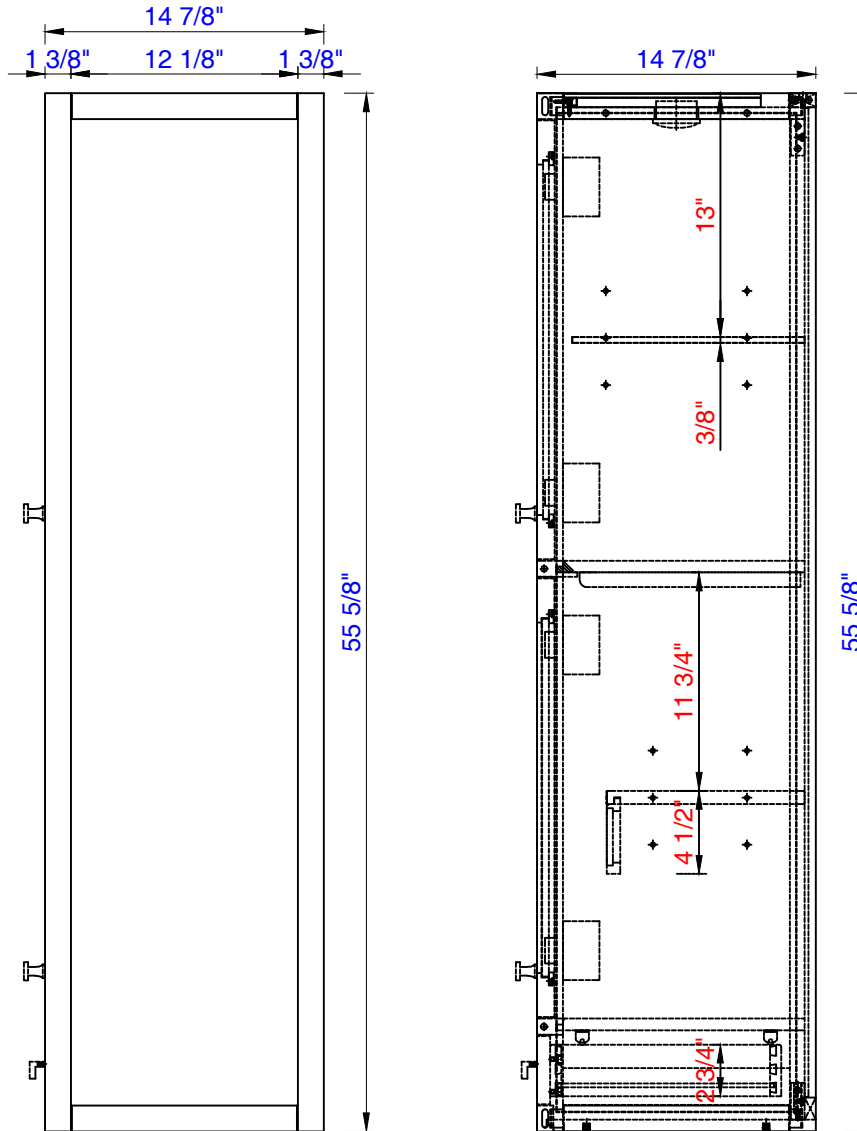
Item Number:  
E444-H15R-MCA  
E444-H15R-GW

JAMES MARTIN



VANITIES™

Addison 15" Grand Tower Hutch - Right  
Diagrams with Dimensions  
page 03 of 03



381mm

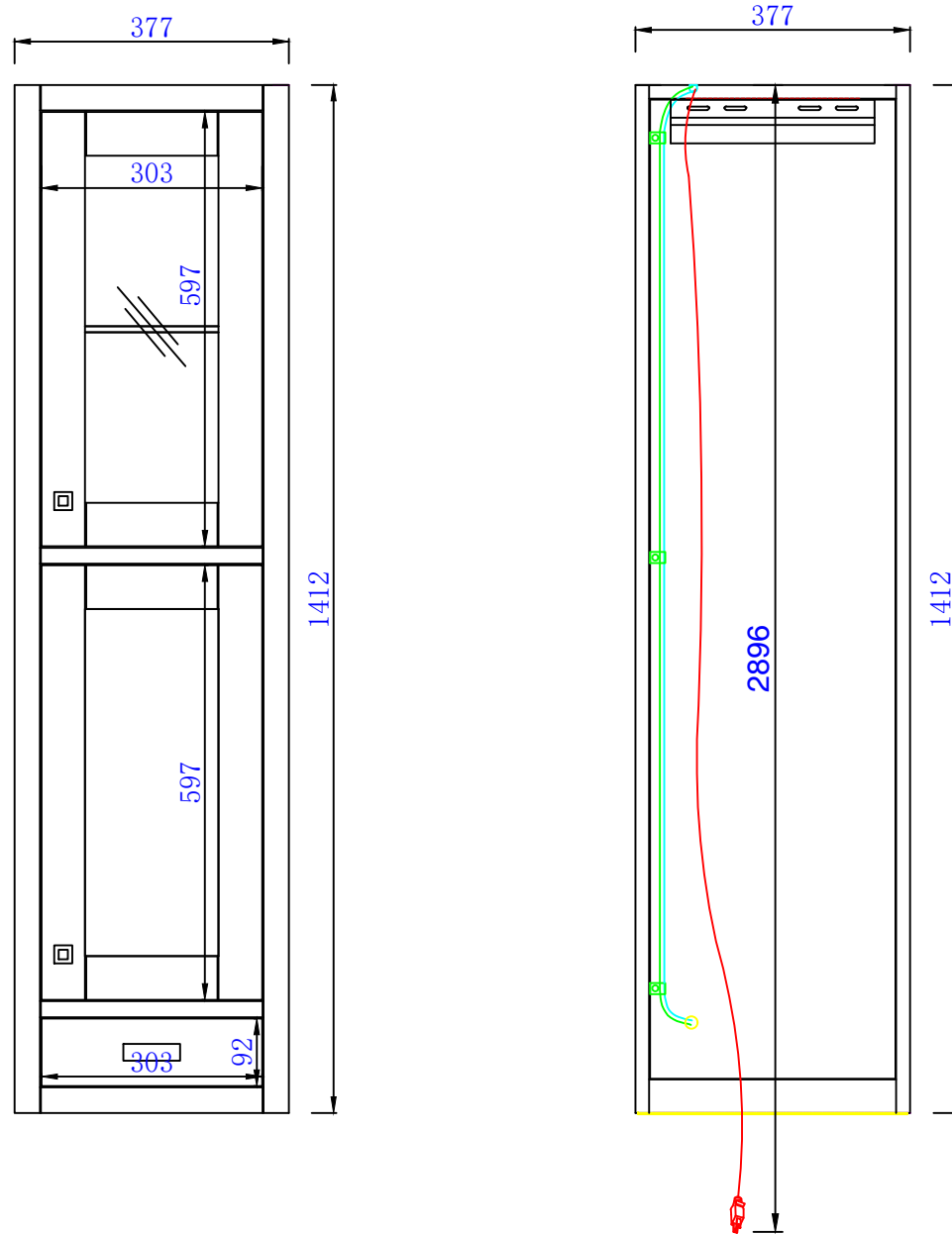
Item Number:  
E444-H15R-MCA  
E444-H15R-GW

JAMES MARTIN



VANITIES™

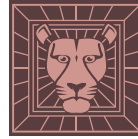
Addison 381mm Grand Tower Hutch - Right  
Diagrams with Dimensions  
page 01 of 03



381mm

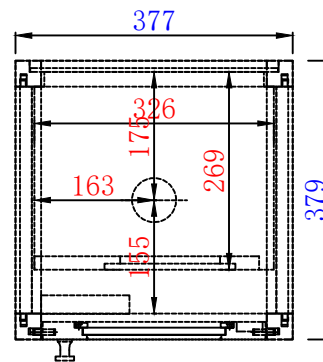
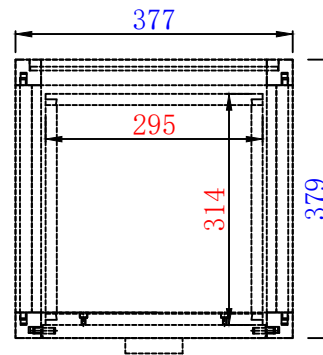
Item Number:  
E444-H15R-MCA  
E444-H15R-GW

JAMES MARTIN



VANITIES™

Addison 381mm Grand Tower Hutch - Right  
Diagrams with Dimensions  
page 02 of 03



381mm

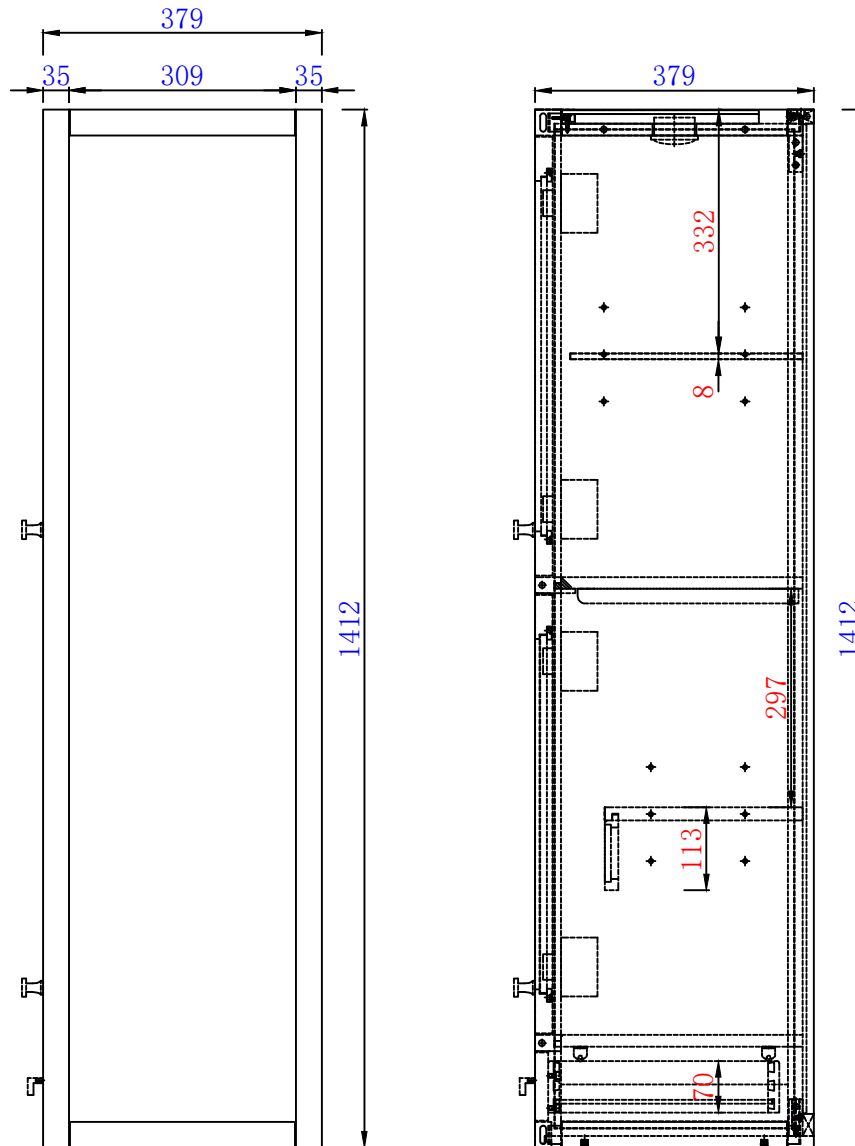
Item Number:  
E444-H15R-MCA  
E444-H15R-GW

JAMES MARTIN



VANITIES™

Addison 381mm Grand Tower Hutch - Right  
Diagrams with Dimensions  
page 03 of 03





24 1/2"

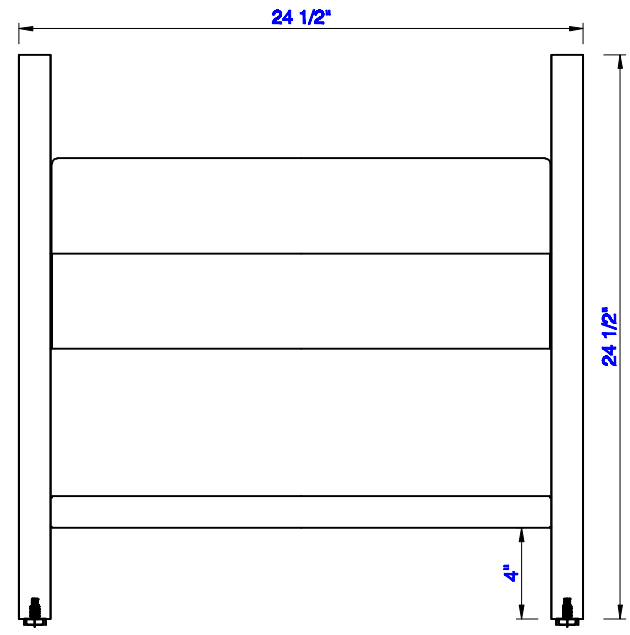
Item Number:  
E444-BNCH-MCA

JAMES MARTIN



VANITIES™

Addison 24 1/2" Upholstered Bench  
Diagrams with Dimensions  
page 01 of 03



24 1/2"

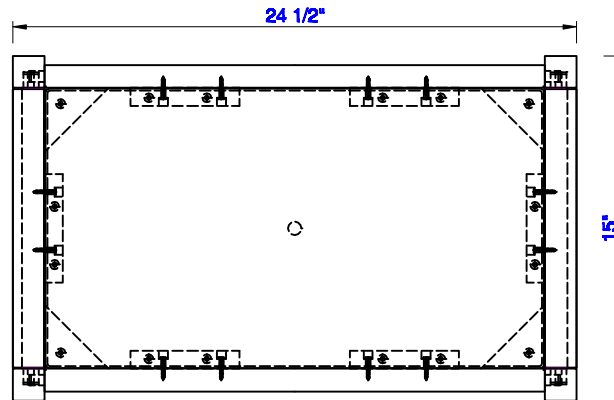
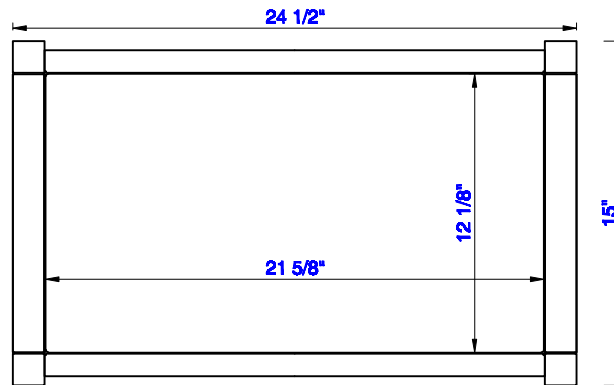
Item Number:  
E444-BNCH-MCA

JAMES MARTIN



VANITIES™

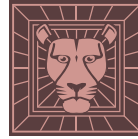
Addison 24 1/2" Upholstered Bench  
Diagrams with Dimensions  
page 02 of 03



24 1/2"

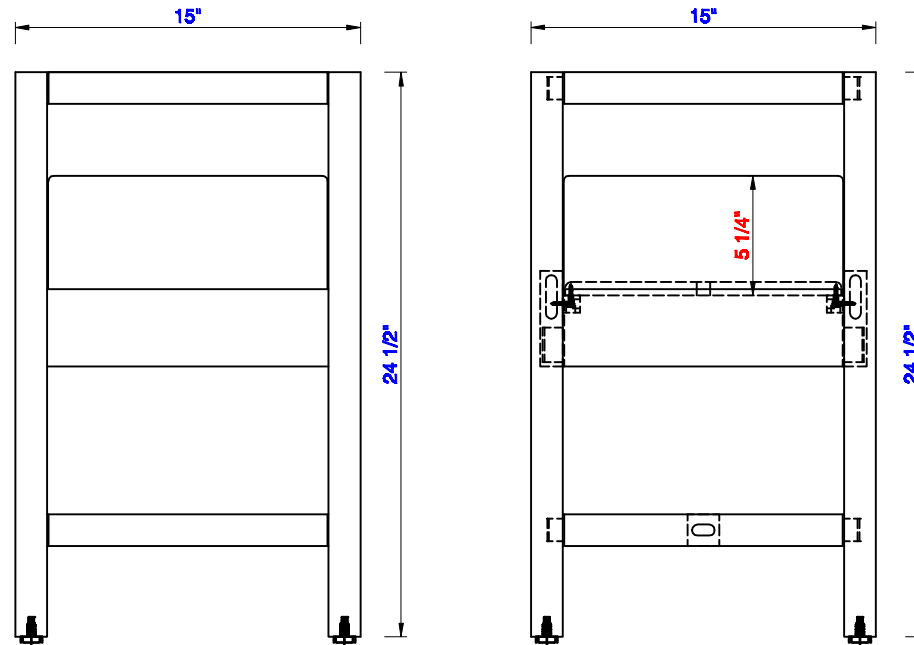
Item Number:  
E444-BNCH-MCA

JAMES MARTIN



VANITIES™

Addison 24 1/2" Upholstered Bench  
Diagrams with Dimensions  
page 03 of 03



622mm

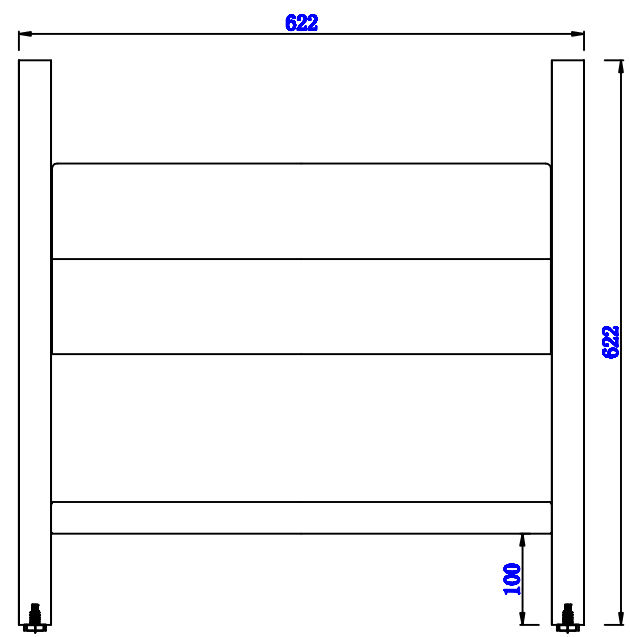
Item Number:  
E444-BNCH-MCA

JAMES MARTIN



VANITIES™

Addison 622mm Upholstered Bench  
Diagrams with Dimensions  
page 01 of 03



622mm

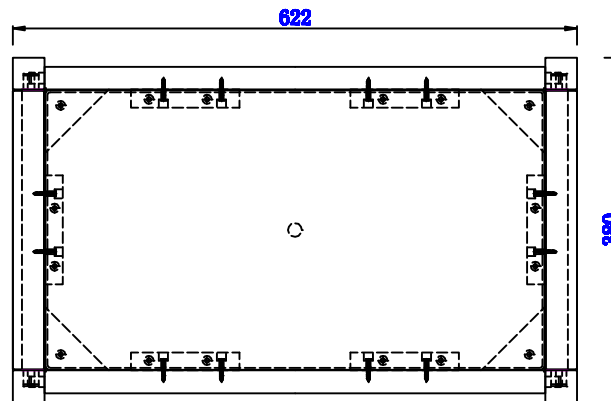
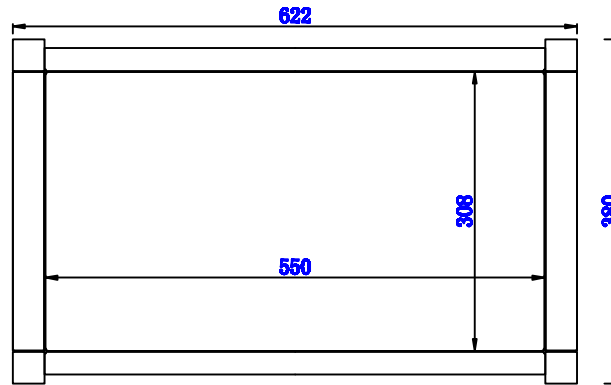
Item Number:  
E444-BNCH-MCA

JAMES MARTIN



VANITIES™

Addison 622mm Upholstered Bench  
Diagrams with Dimensions  
page 02 of 03



622mm

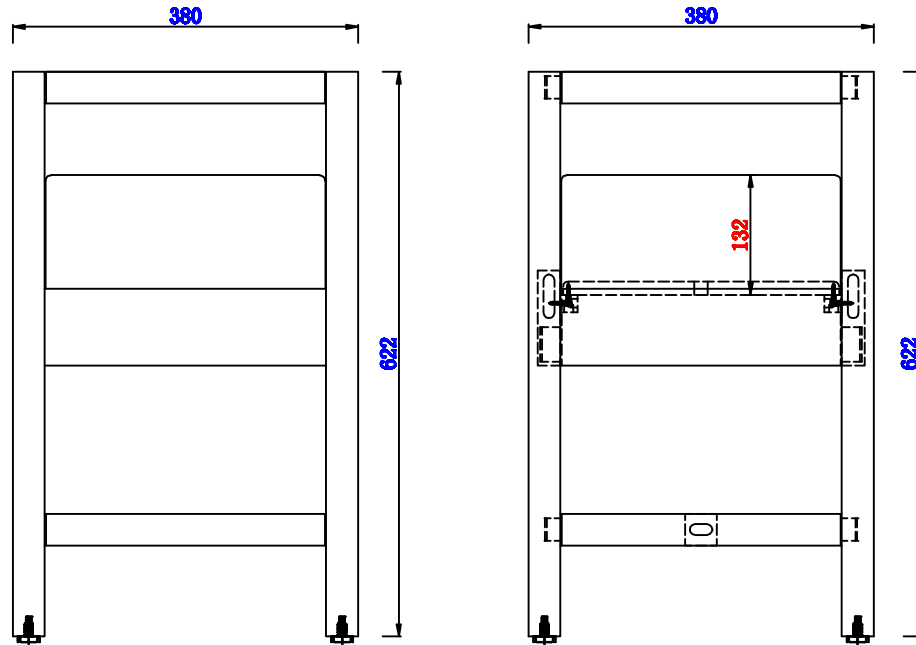
Item Number:  
E444-BNCH-MCA

JAMES MARTIN



VANITIES™

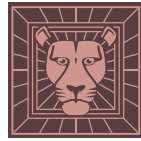
Addison 622mm Upholstered Bench  
Diagrams with Dimensions  
page 03 of 03



36"

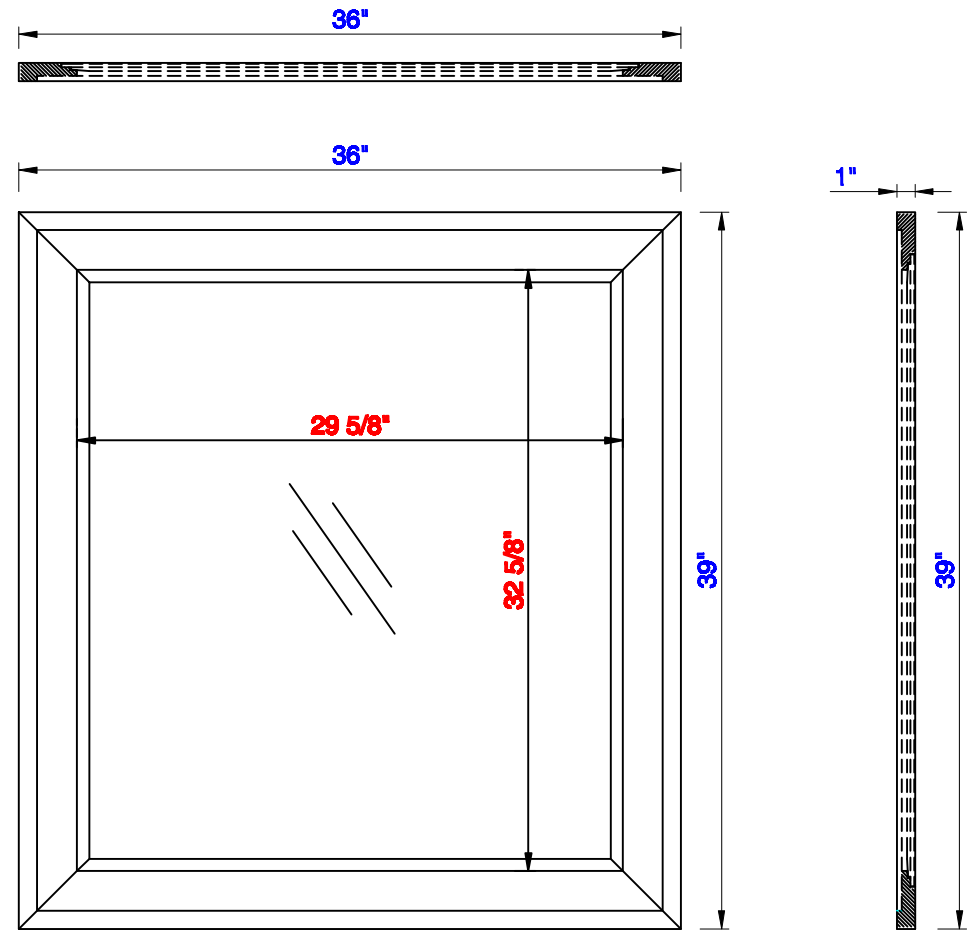
Item Number:  
E444-M36-MCA  
E444-M36-GW

JAMES MARTIN



VANITIES™

Addison 36" Mirror  
Diagrams with Dimensions  
page 01 of 01



914mm

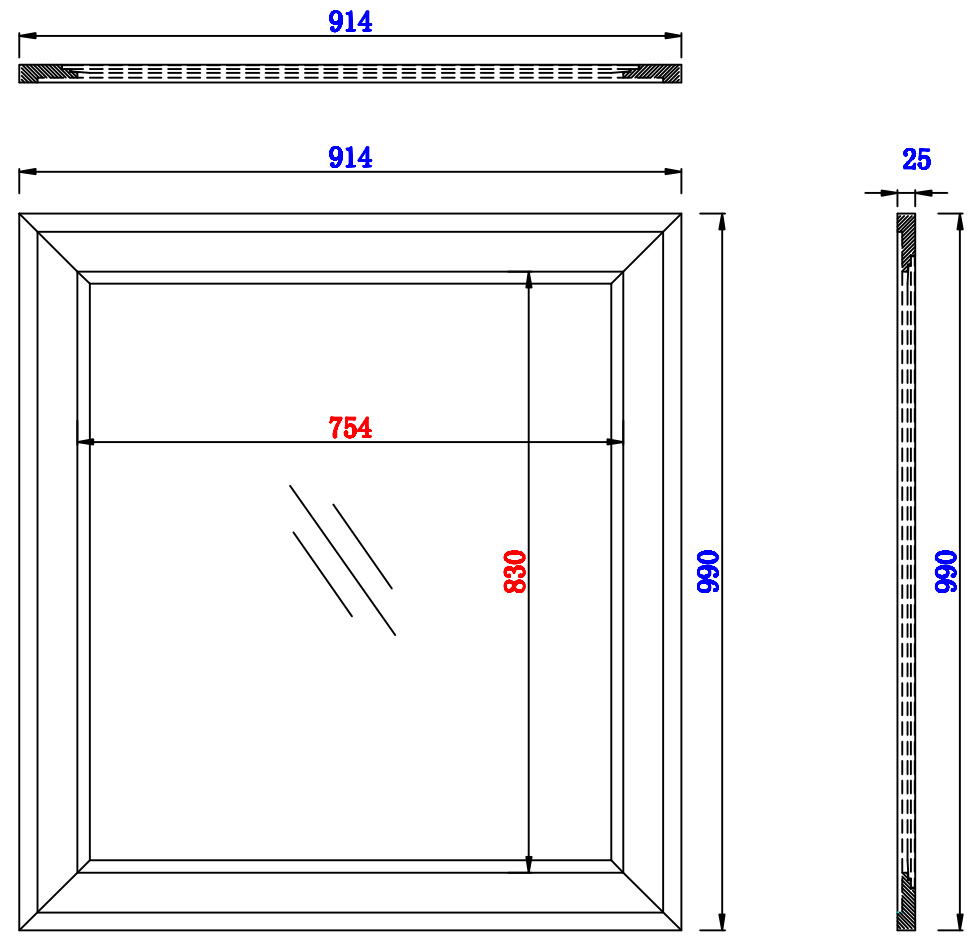
Item Number:  
E444-M36-MCA  
E444-M36-GW

JAMES MARTIN



VANITIES™

Addison 914mm Mirror  
Diagrams with Dimensions  
page 01 of 01



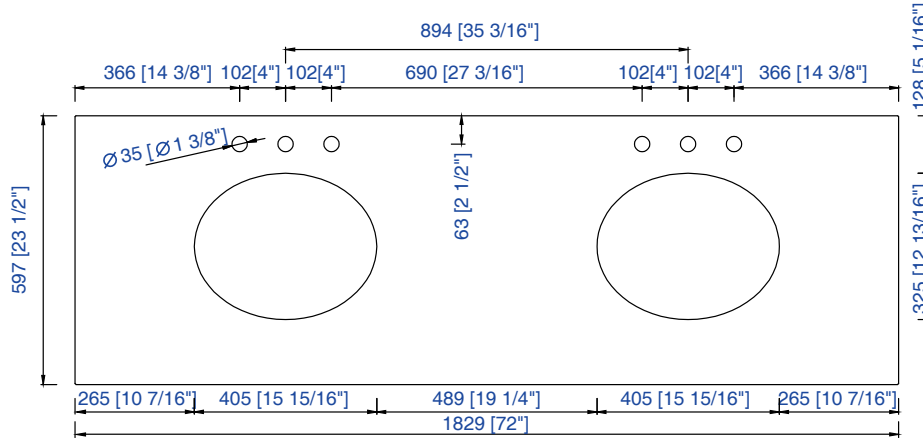




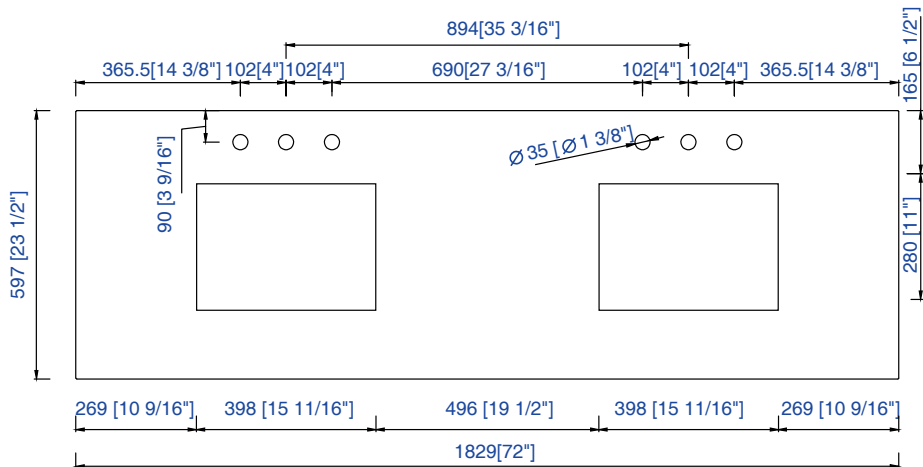
# I G' Vanity Top Spec Sheet

James Martin Vanities Company always recommends you consult and/or hire a professional contractor when installing your vanity cabinet and top.

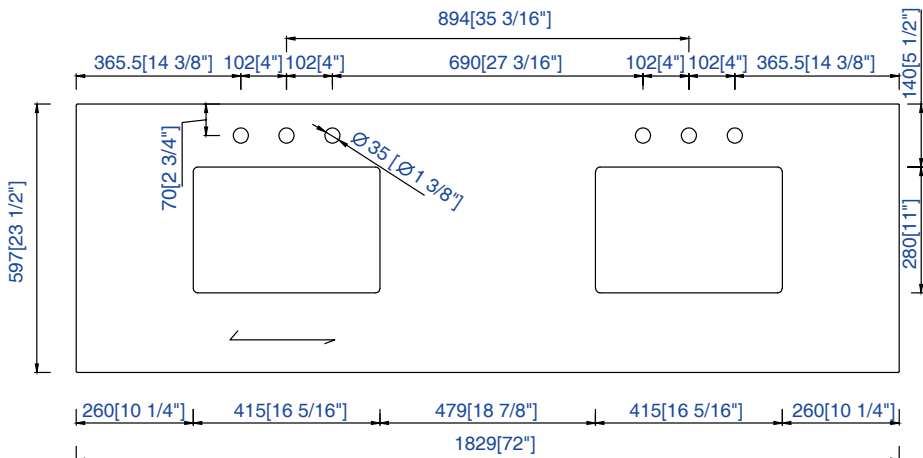
3cm/1.18"  
Countertop



James Martin - Natural Stone Countertop Measurement Specification



James Martin - Natural Stone & Solid Surface Countertop Measurement Specification

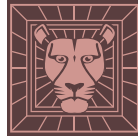


James Martin - Quartz Countertop Measurement Specification

30"

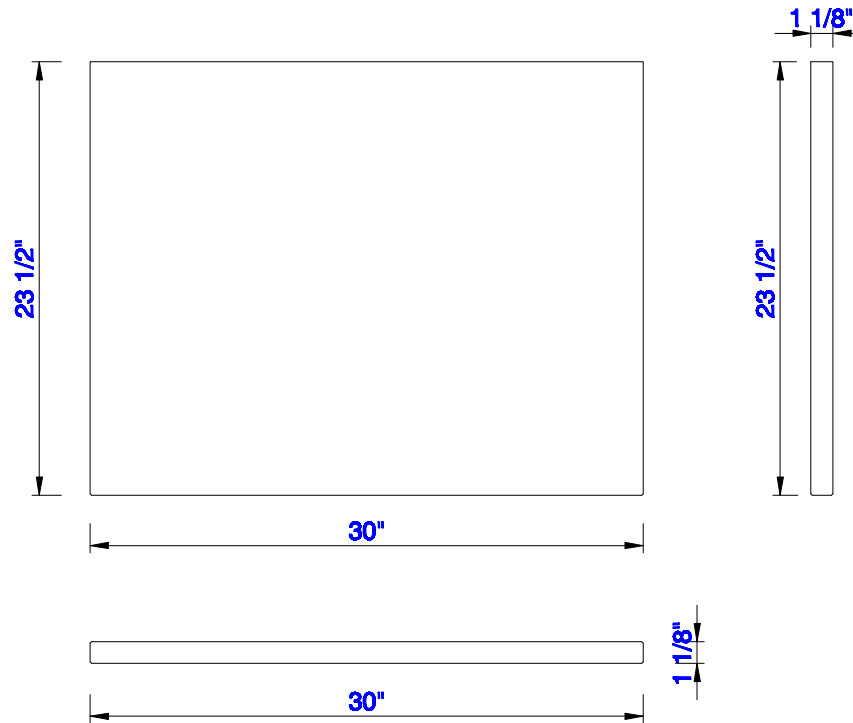
Item Number:  
050-T30-CLW  
050-T30-CSP  
050-T30-EJP  
050-T30-GEX  
080-T30-AF  
090-T30-CAR

JAMES MARTIN



VANITIES™

30" Top for Makeup Counter  
Diagrams with Dimensions  
page 01 of 01



762mm

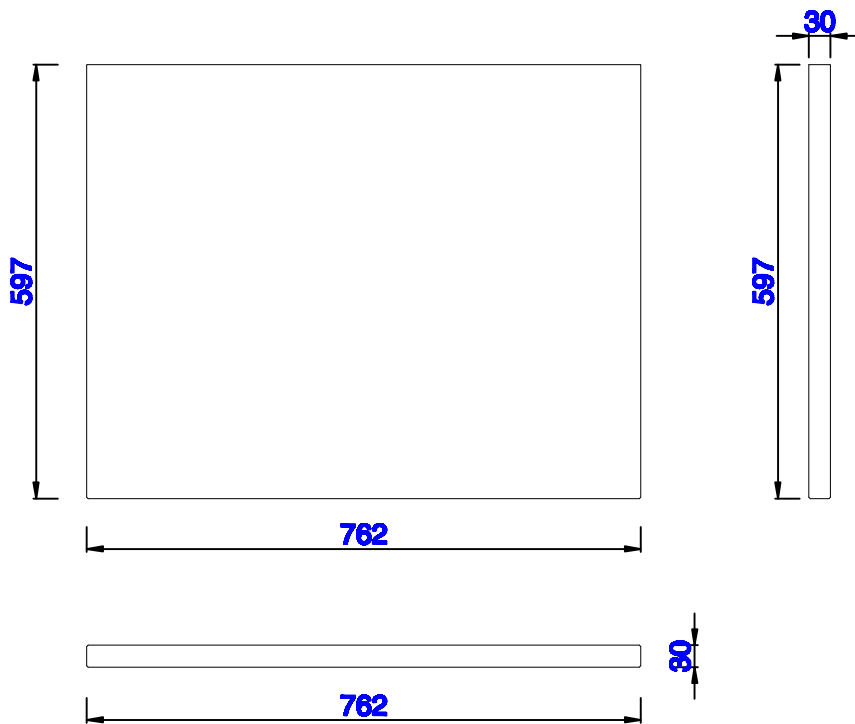
Item Number:  
050-T30-CLW  
050-T30-CSP  
050-T30-EJP  
050-T30-GEX  
080-T30-AF  
090-T30-CAR

JAMES MARTIN



VANITIES™

762mm Top for Makeup Counter  
Diagrams with Dimensions  
page 01 of 01



15"

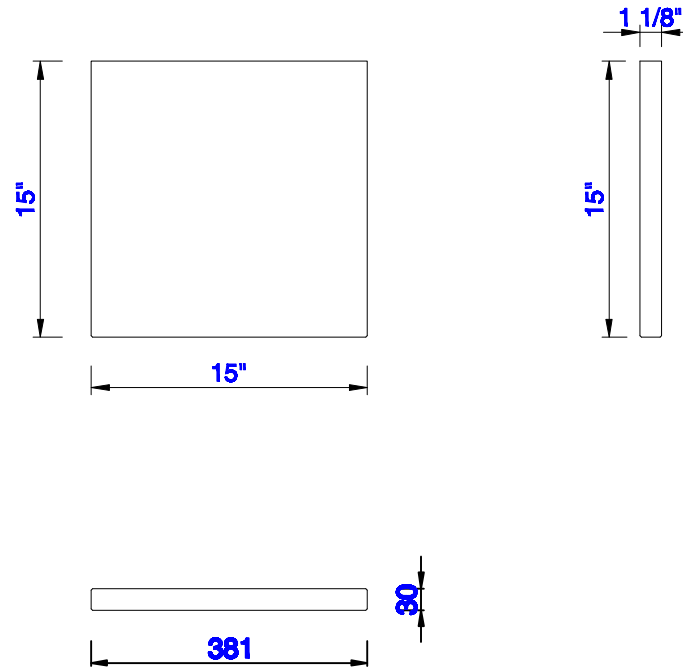
Item Number:  
050-T15-CLW  
050-T15-CSP  
050-T15-EJP  
050-T15-GEX  
080-T15-AF  
090-T15-CAR

JAMES MARTIN



VANITIES™

15" Top for Makeup Counter  
Diagrams with Dimensions  
page 01 of 01



381mm

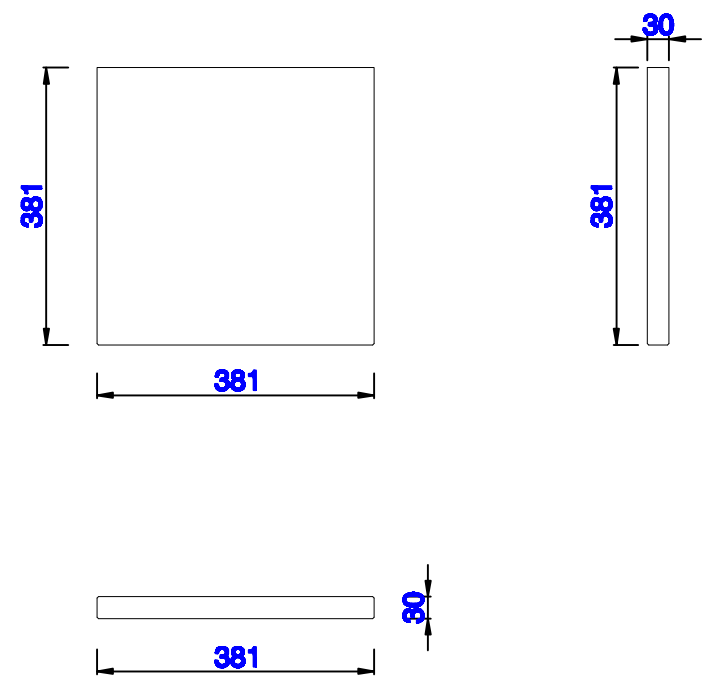
Item Number:  
050-T15-CLW  
050-T15-CSP  
050-T15-EJP  
050-T15-GEX  
080-T15-AF  
090-T15-CAR

JAMES MARTIN



VANITIES™

381mm Top for Makeup Counter  
Diagrams with Dimensions  
page 01 of 01

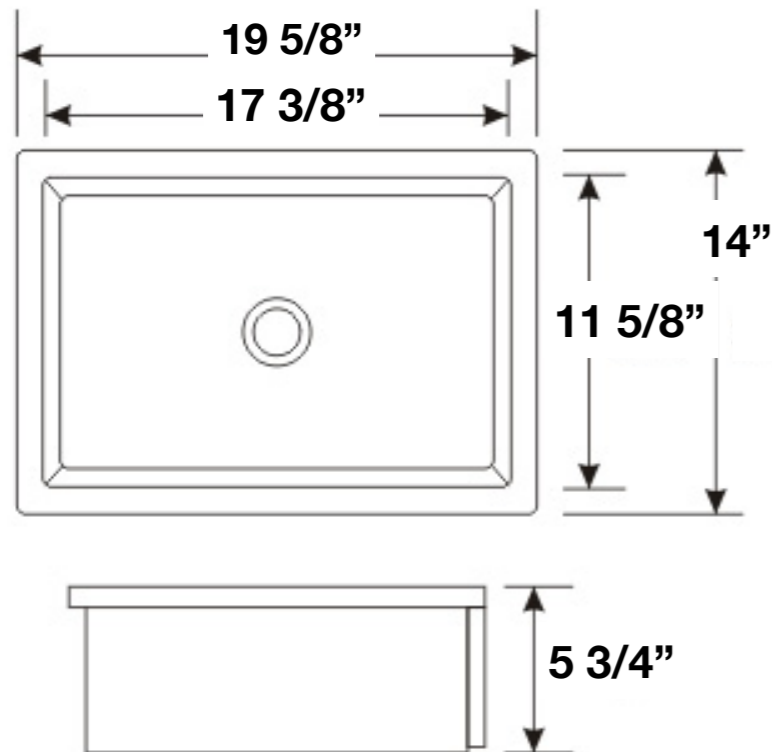




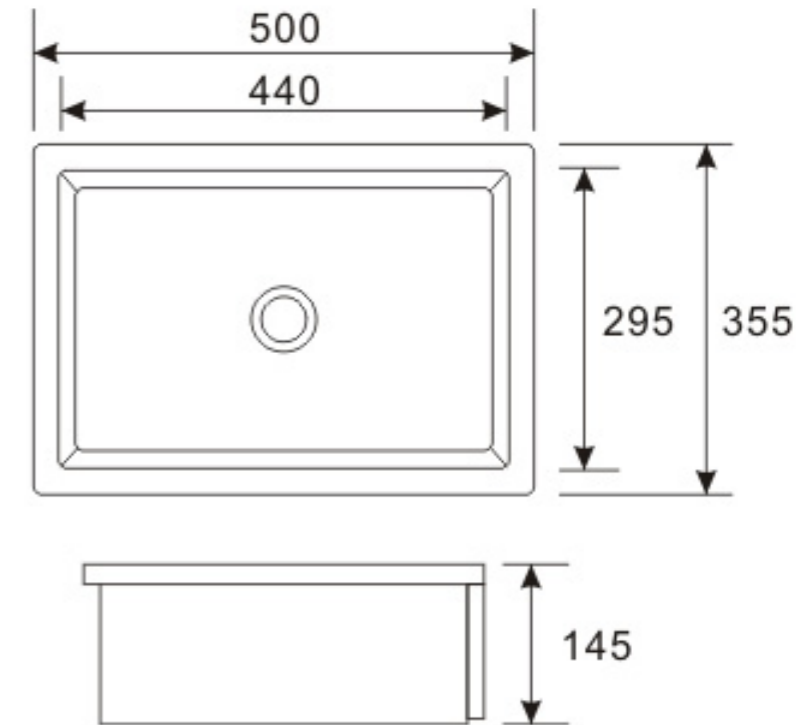
# James Martin Vanities - Nova Rectangular Undermount Sink (Basin) **SNK-RCT-WHT**

Used with 3cm thickness premium rectangular countertops:  
Silestone Quartz

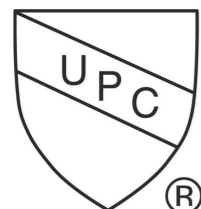
## Imperial Measurements



## Metric Measurements

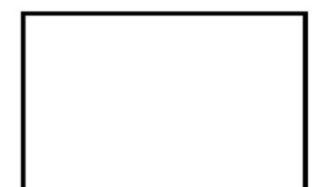


OD Size: 500 x 355 x 145 mm  
 19 5/8" x 14" x 5 6/8"  
 ID Size: 440 x 295 mm  
 17 3/8" x 11 5/8"



**Complies with:**  
 ASME A112.19.2-2013  
 CSA B45.1-13

white



2018 Rv.