

29 7/8"

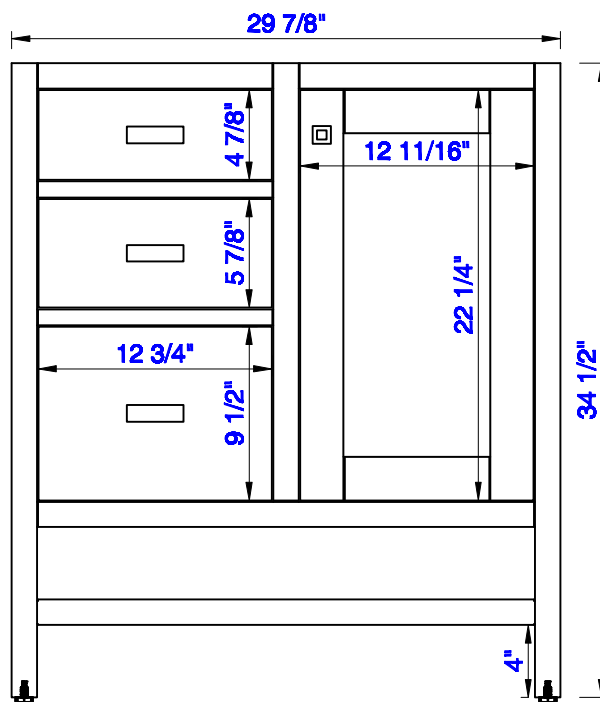
Item Number:
E444-V30-MCA

JAMES MARTIN



VANITIES™

Addison 29 7/8" Single Cabinet
Diagrams with Dimensions
page 01 of 03



NOTE ONE: Countertops are not shown in these diagrams. (Cabinet Only)

NOTE TWO: This vanity does not have a Backsplash.

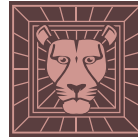
Please consult our website for Countertop Diagrams: www.jamesmartinvanities.com

Version:202004

29 7/8"

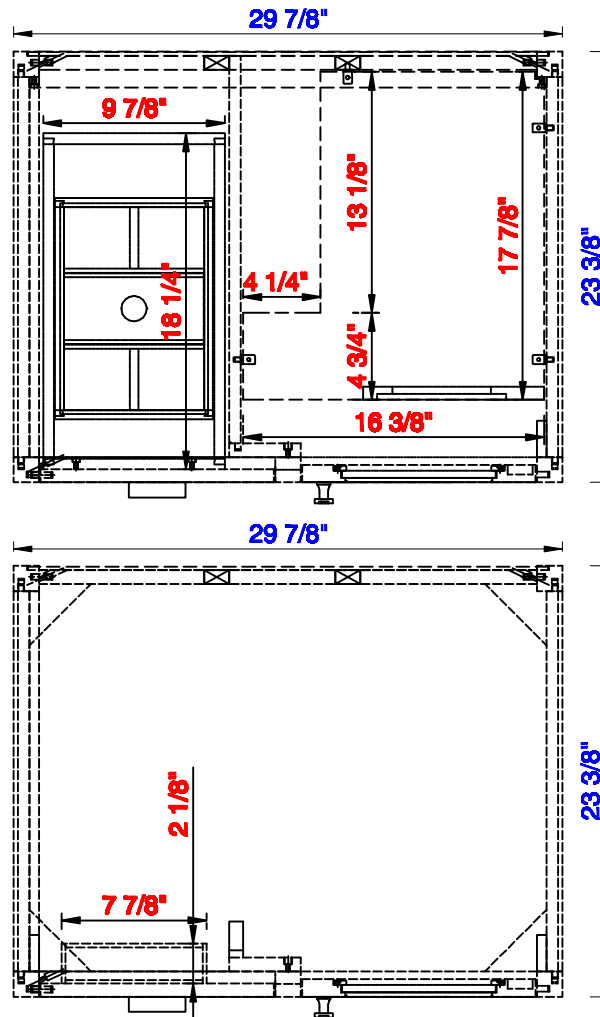
Item Number:
E444-V30-MCA

JAMES MARTIN



VANITIES™

Addison 29 7/8" Single Cabinet
Diagrams with Dimensions
page 02 of 03



NOTE ONE: Countertops are not shown in these diagrams. (Cabinet Only)

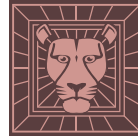
NOTE TWO: Internal Shelves (Shown) are designed to align with sinks in James Martin's Optional Countertops. Customer's own countertops and sinks may align differently, and modification may be required. Please consult our website for Countertop Diagrams: www.jamesmartinvanities.com

Version:202004

29 7/8"

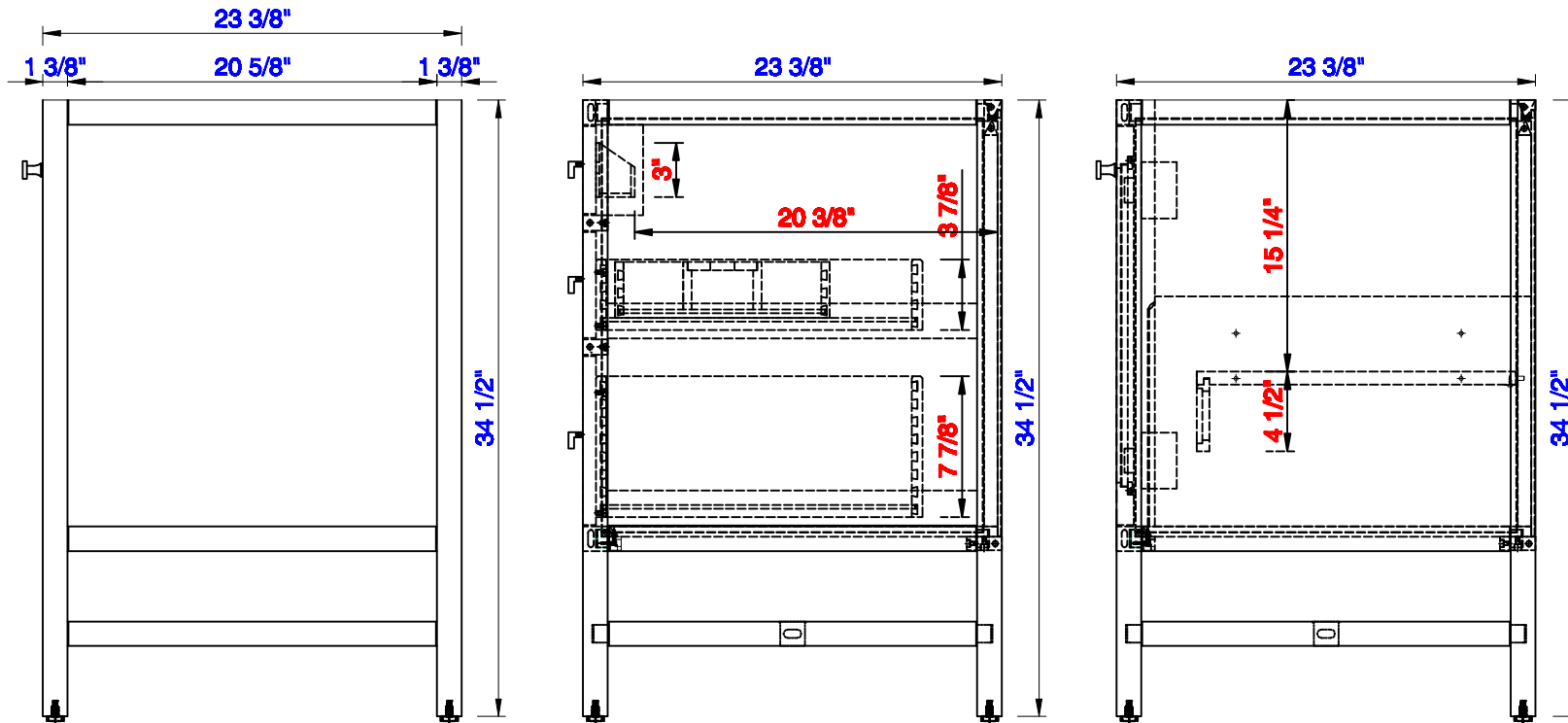
Item Number:
E444-V30-MCA

JAMES MARTIN



VANITIES™

Addison 29 7/8" Single Cabinet
Diagrams with Dimensions
page 03 of 03



NOTE ONE: Countertops are not shown in these diagrams. (Cabinet Only)

NOTE TWO: This vanity does not have a Backsplash.

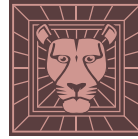
Please consult our website for Countertop Diagrams: www.jamesmartinvanities.com

Version:202004

758mm

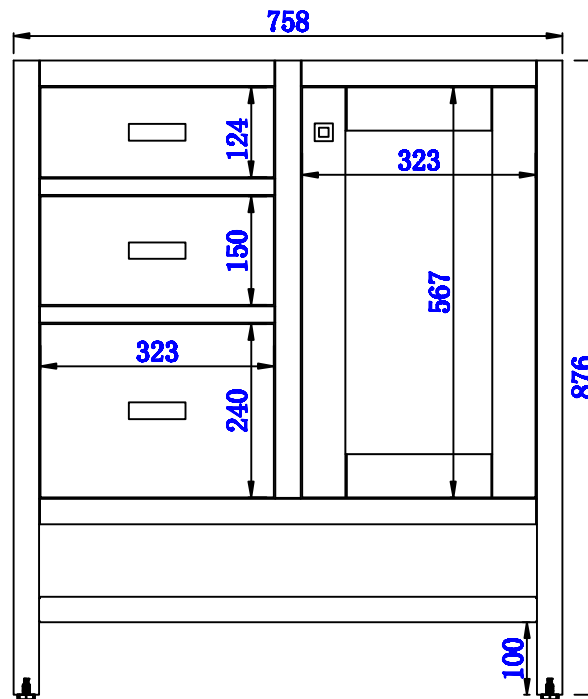
Item Number:
E444-V30-MCA

JAMES MARTIN



VANITIES™

Addison 758mm Single Cabinet
Diagrams with Dimensions
page 01 of 03



NOTE ONE: Countertops are not shown in these diagrams. (Cabinet Only)

NOTE TWO: This vanity does not have a Backsplash.

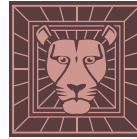
Please consult our website for Countertop Diagrams: www.jamesmartinvanities.com

Version:202004

758mm

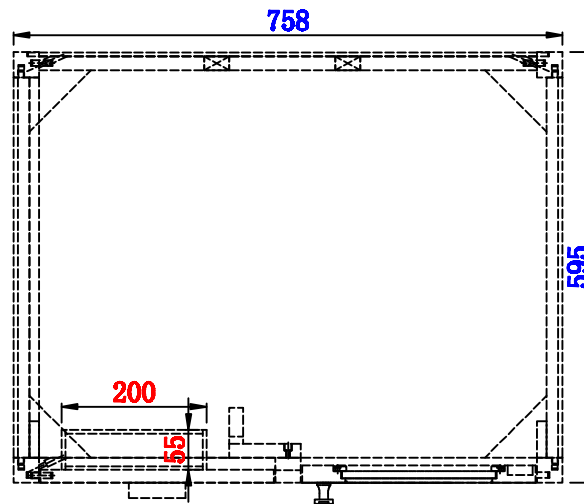
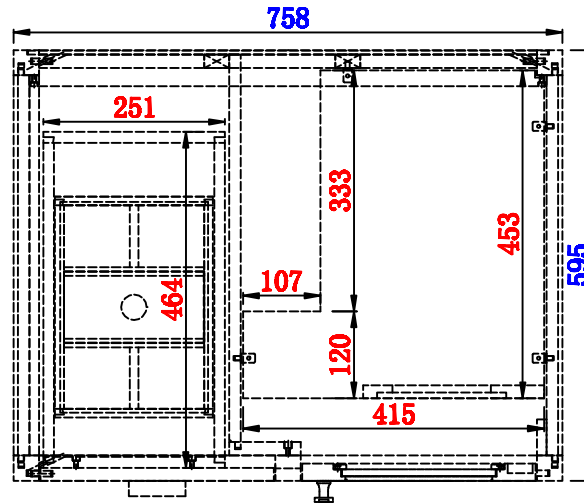
Item Number:
E444-V30-MCA

JAMES MARTIN



VANITIES™

Addison 758mm Single Cabinet
Diagrams with Dimensions
page 02 of 03



NOTE ONE: Countertops are not shown in these diagrams. (Cabinet Only)

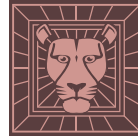
NOTE TWO: Internal Shelves (Shown) are designed to align with sinks in James Martin's Optional Countertops. Customer's own countertops and sinks may align differently, and modification may be required. Please consult our website for Countertop Diagrams: www.jamesmartinvanities.com

Version:202004

758mm

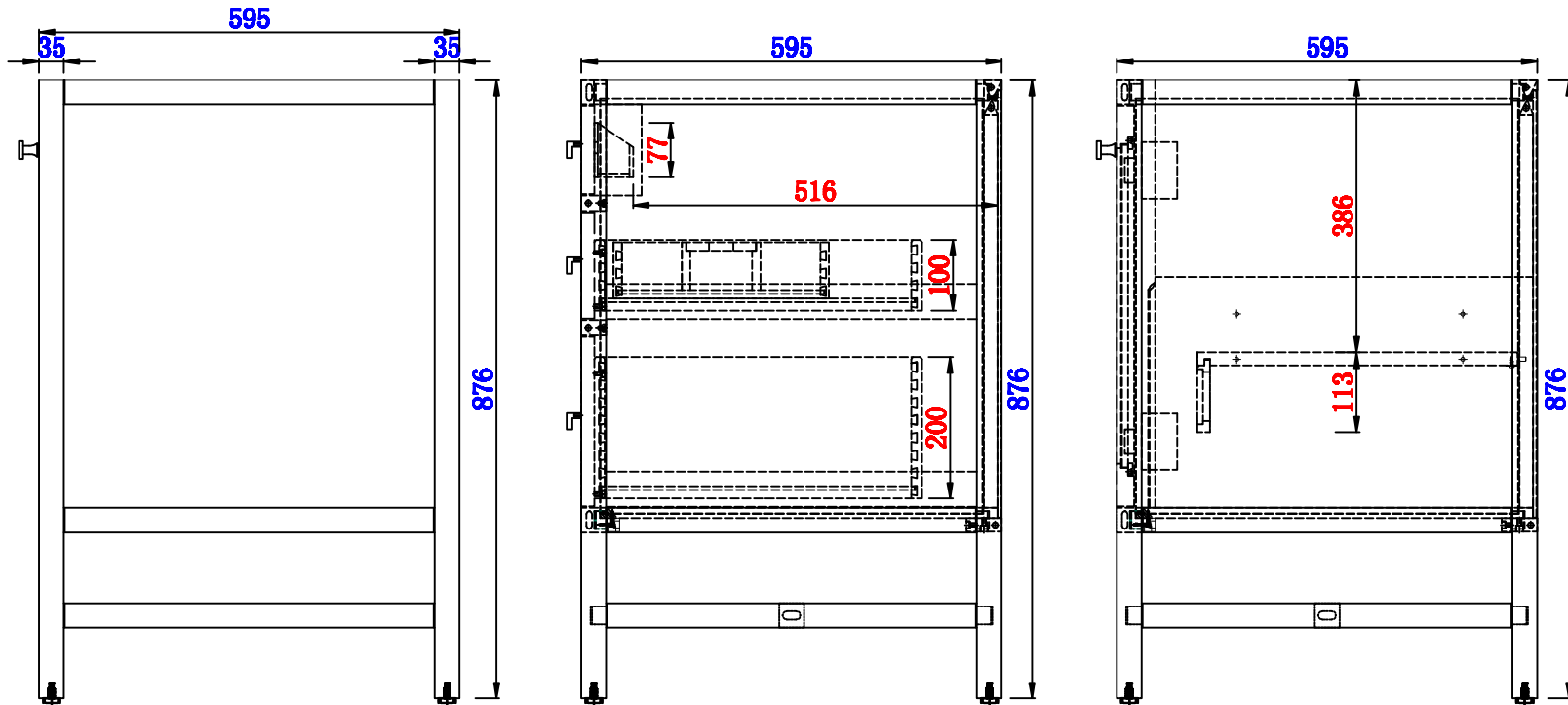
Item Number:
E444-V30-MCA

JAMES MARTIN



VANITIES™

Addison 758mm Single Cabinet
Diagrams with Dimensions
page 03 of 03



NOTE ONE: Countertops are not shown in these diagrams. (Cabinet Only)

NOTE TWO: This vanity does not have a Backsplash.

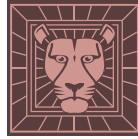
Please consult our website for Countertop Diagrams: www.jamesmartinvanities.com

Version:202004

29 7/8"

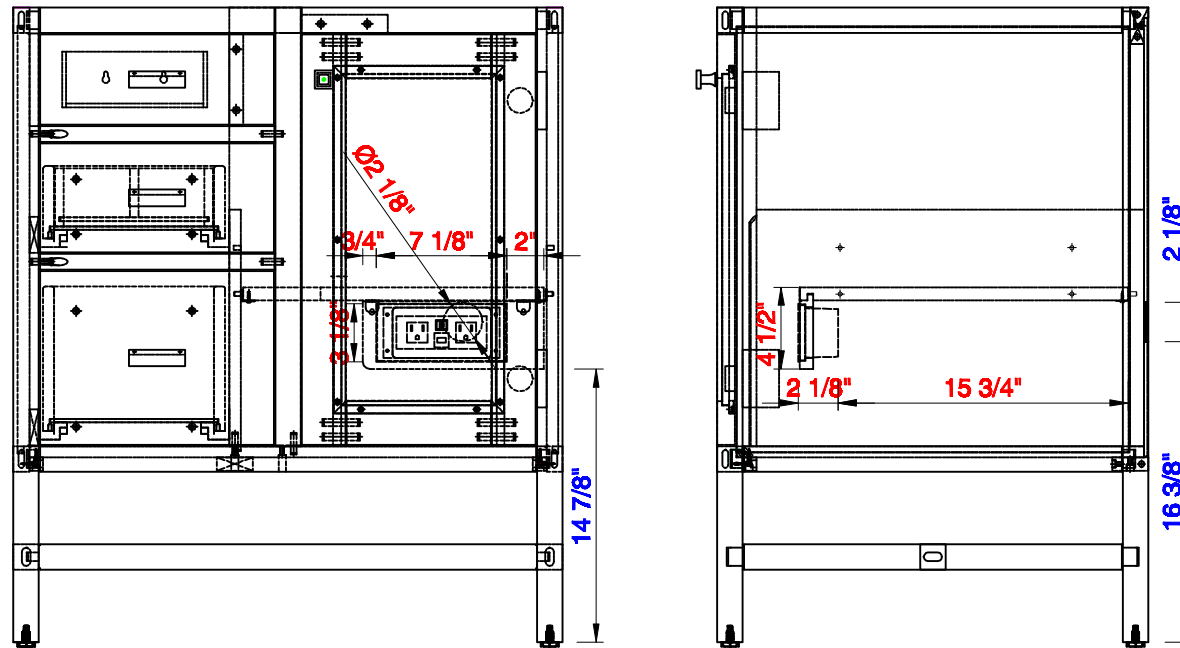
Item Number:
E444-V30-MCA

JAMES MARTIN



VANITIES™

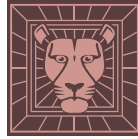
Addison 29 7/8" Single Cabinet
Diagrams with Dimensions
page 01 of 01



758mm

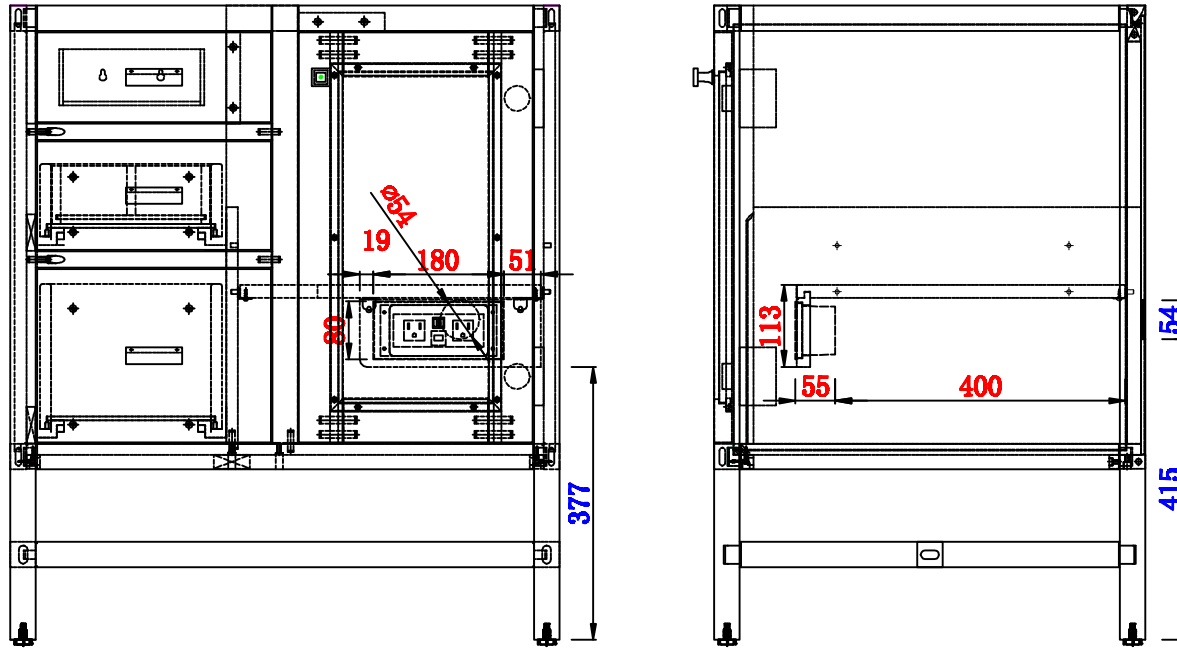
Item Number:
E444-V30-MCA

JAMES MARTIN



VANITIES™

Addison 758mm Single Cabinet
Diagrams with Dimensions
page 01 of 01



30"

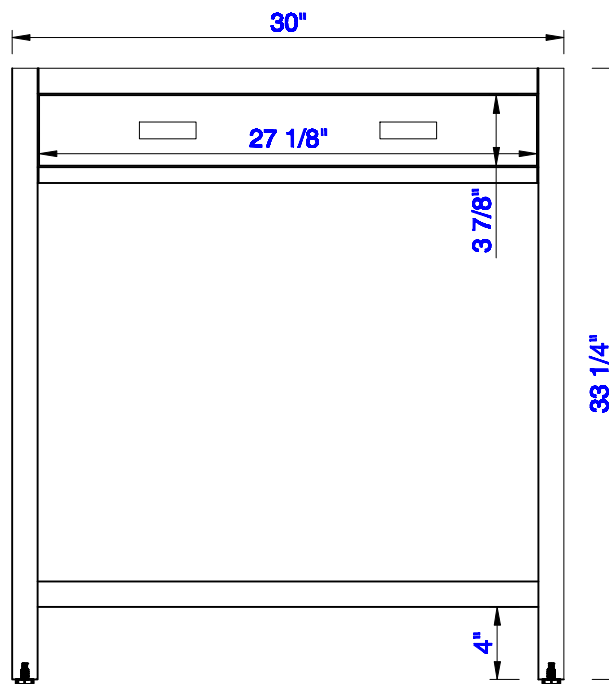
Item Number:
E444-CU30-MCA
E444-CU30-GW

JAMES MARTIN



VANITIES™

Addison 30" Free-standing Countertop Unit
Diagrams with Dimensions
page 01 of 03



NOTE ONE: Countertops are not shown in these diagrams. (Cabinet Only)

NOTE TWO: This Cabinet does not have a Backsplash.

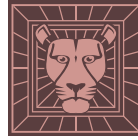
Please consult our website for Countertop Diagrams: www.jamesmartinvanities.com

Version:202009

30"

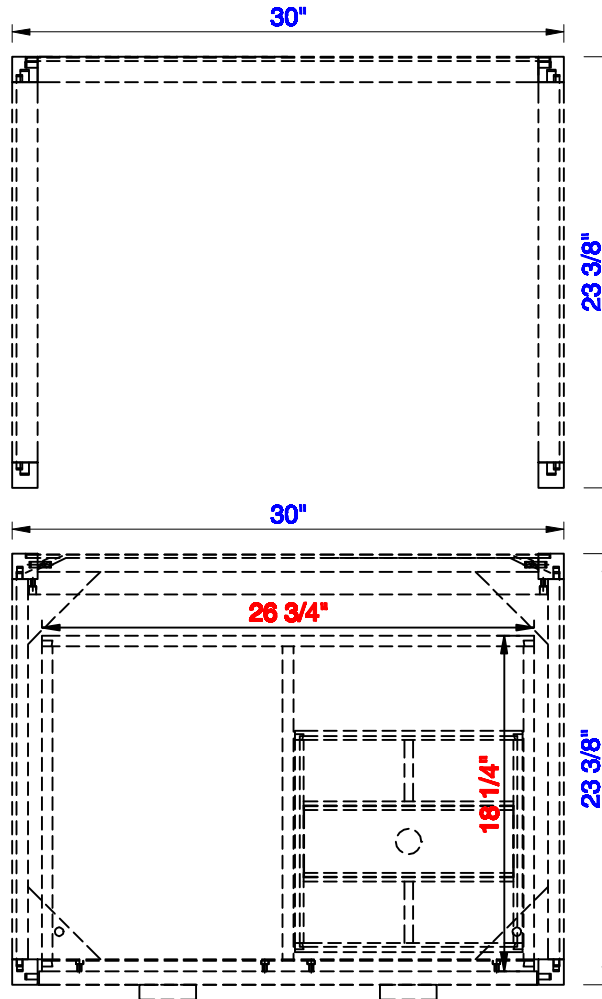
Item Number:
E444-CU30-MCA
E444-CU30-GW

JAMES MARTIN



VANITIES™

Addison 30" Free-standing Countertop Unit
Diagrams with Dimensions
page 02 of 03



NOTE ONE: Countertops are not shown in these diagrams. (Cabinet Only)
Please consult our website for Countertop Diagrams: www.jamesmartinvanities.com

Version:202009

30"

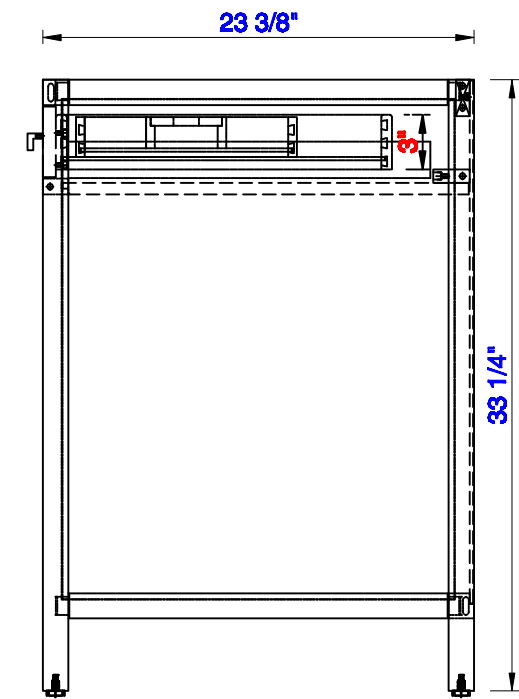
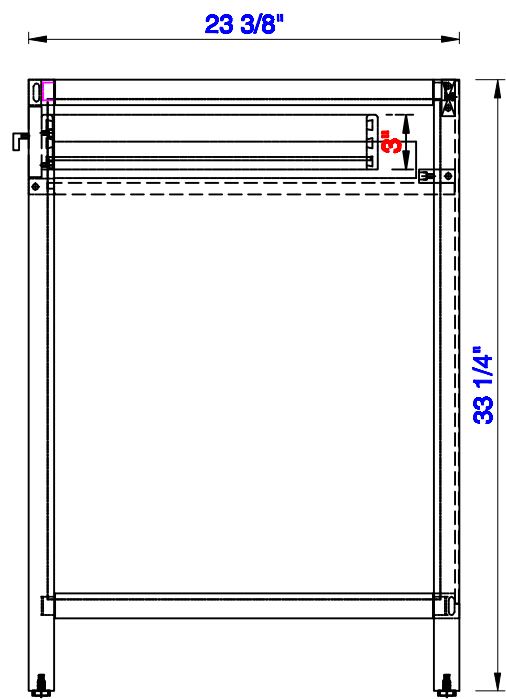
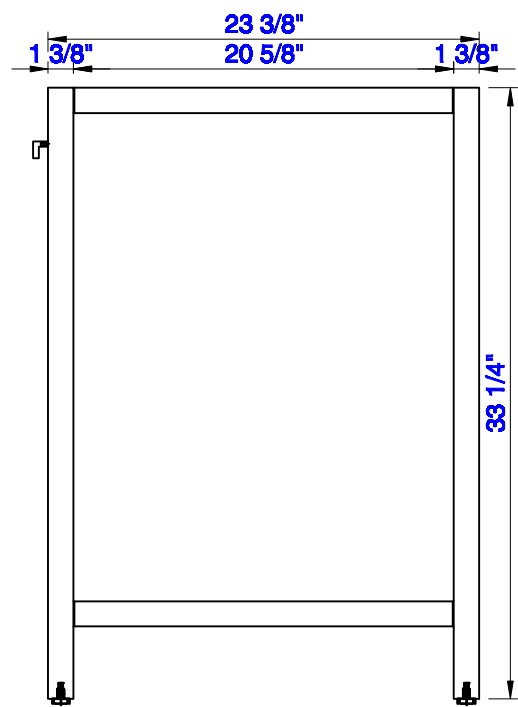
Item Number:
E444-CU30-MCA
E444-CU30-GW

JAMES MARTIN



VANITIES™

Addison 30" Free-standing Countertop Unit
Diagrams with Dimensions
page 03 of 03



NOTE ONE: Countertops are not shown in these diagrams. (Cabinet Only)

NOTE TWO: This Cabinet does not have a Backsplash.

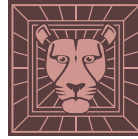
Please consult our website for Countertop Diagrams: www.jamesmartinvanities.com

Version:202009

762mm

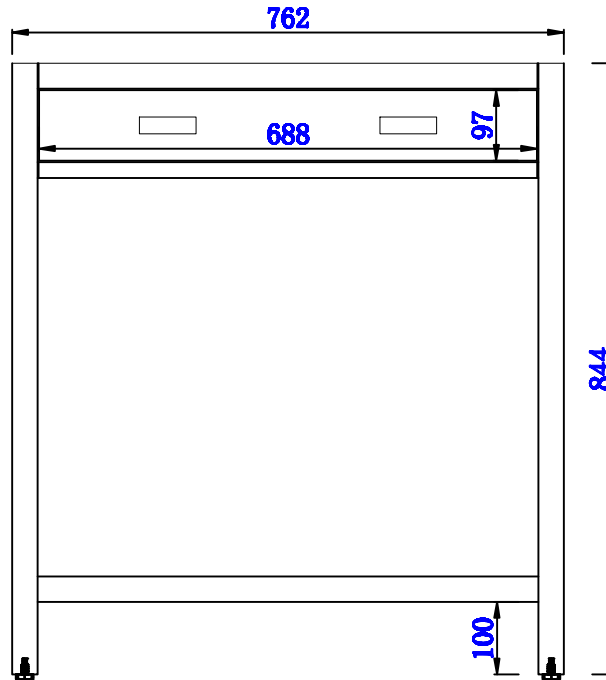
Item Number:
E444-CU30-MCA
E444-CU30-GW

JAMES MARTIN



VANITIES™

Addison 762mm Free-standing Countertop
Unit Diagrams with Dimensions
page 01 of 03



NOTE ONE: Countertops are not shown in these diagrams. (Cabinet Only)

NOTE TWO: This Cabinet does not have a Backsplash.

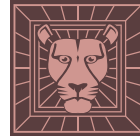
Please consult our website for Countertop Diagrams: www.jamesmartinvanities.com

Version:202009

762mm

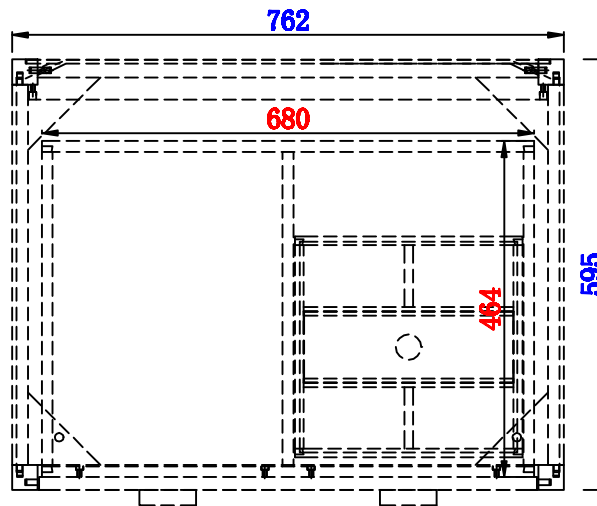
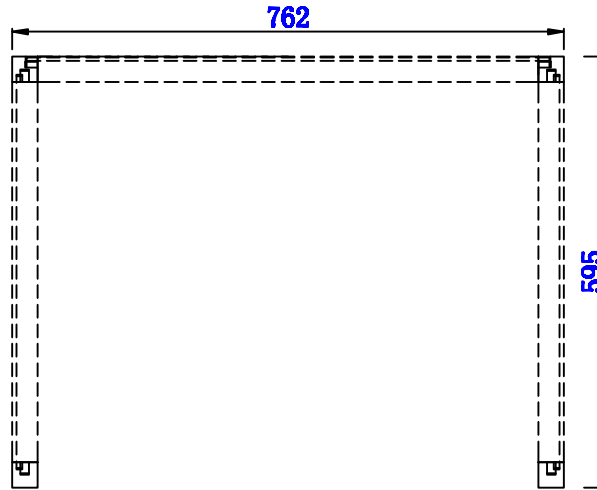
Item Number:
E444-CU30-MCA
E444-CU30-GW

JAMES MARTIN



VANITIES™

Addison 762mm Free-standing Countertop
Unit Diagrams with Dimensions
page 02 of 03



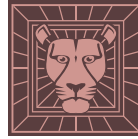
NOTE ONE: Countertops are not shown in these diagrams. (Cabinet Only)
Please consult our website for Countertop Diagrams: www.jamesmartinvanities.com

Version:202009

762mm

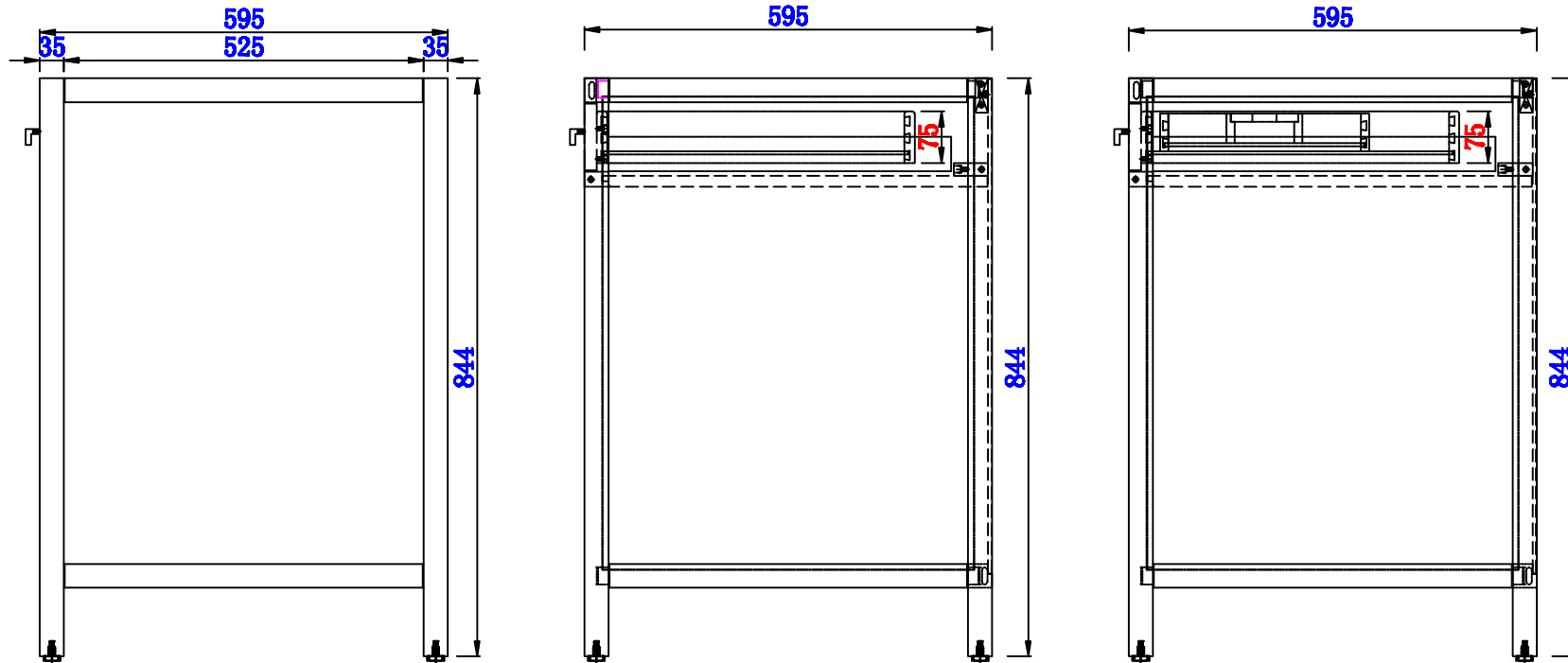
Item Number:
E444-CU30-MCA
E444-CU30-GW

JAMES MARTIN



VANITIES™

Addison 762mm Free-standing Countertop
Unit Diagrams with Dimensions
page 03 of 03



NOTE ONE: Countertops are not shown in these diagrams. (Cabinet Only)

NOTE TWO: This Cabinet does not have a Backsplash.

Please consult our website for Countertop Diagrams: www.jamesmartinvanities.com

Version:202009

24 1/2"

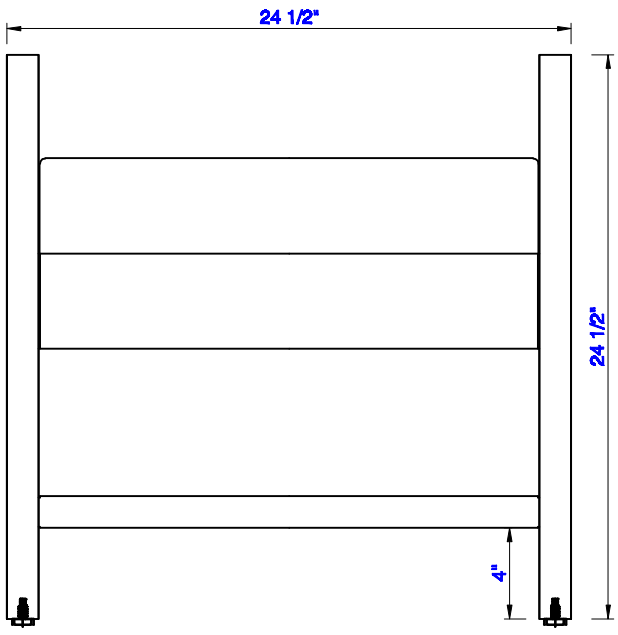
Item Number:
E444-BNCH-MCA

JAMES MARTIN



VANITIES™

Addison 24 1/2" Upholstered Bench
Diagrams with Dimensions
page 01 of 03



24 1/2"

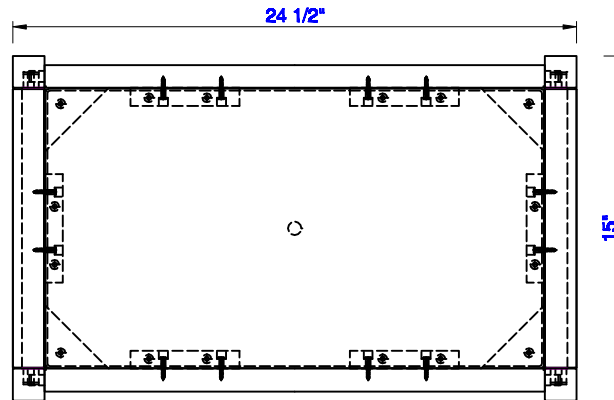
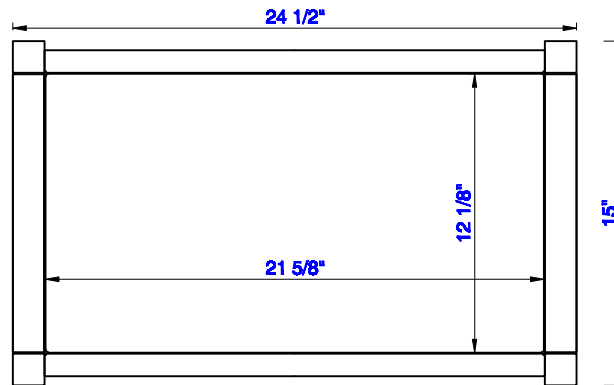
Item Number:
E444-BNCH-MCA

JAMES MARTIN



VANITIES™

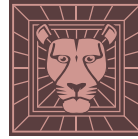
Addison 24 1/2" Upholstered Bench
Diagrams with Dimensions
page 02 of 03



24 1/2"

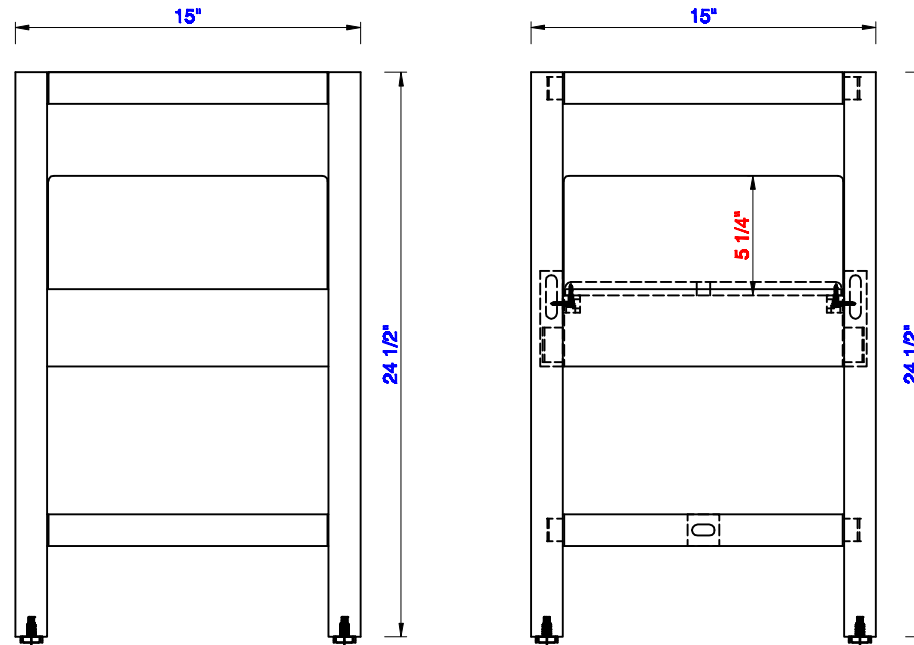
Item Number:
E444-BNCH-MCA

JAMES MARTIN



VANITIES™

Addison 24 1/2" Upholstered Bench
Diagrams with Dimensions
page 03 of 03



622mm

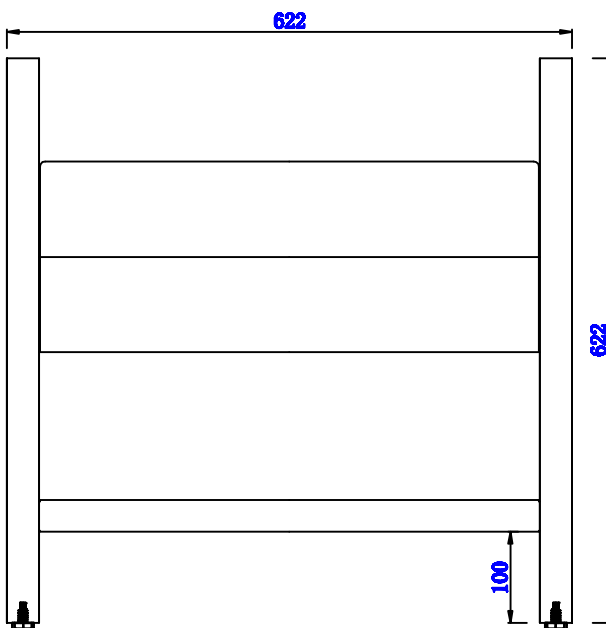
Item Number:
E444-BNCH-MCA

JAMES MARTIN



VANITIES™

Addison 622mm Upholstered Bench
Diagrams with Dimensions
page 01 of 03



622mm

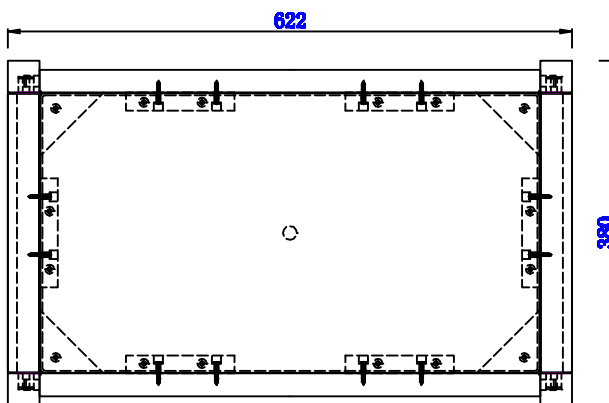
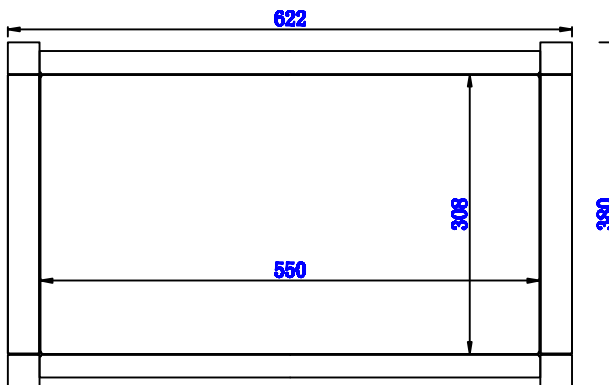
Item Number:
E444-BNCH-MCA

JAMES MARTIN



VANITIES™

Addison 622mm Upholstered Bench
Diagrams with Dimensions
page 02 of 03



622mm

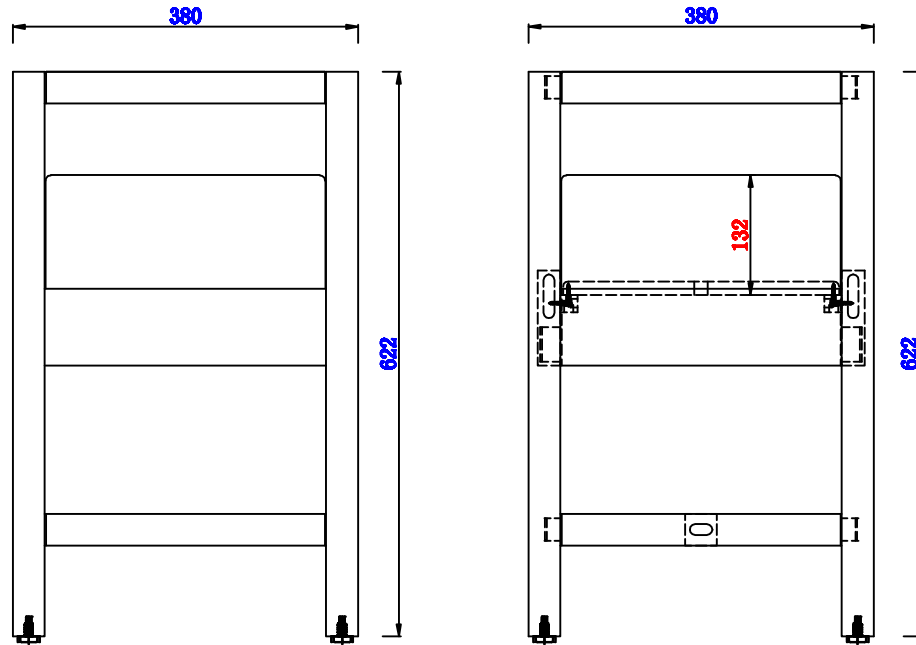
Item Number:
E444-BNCH-MCA

JAMES MARTIN



VANITIES™

Addison 622mm Upholstered Bench
Diagrams with Dimensions
page 03 of 03



30"

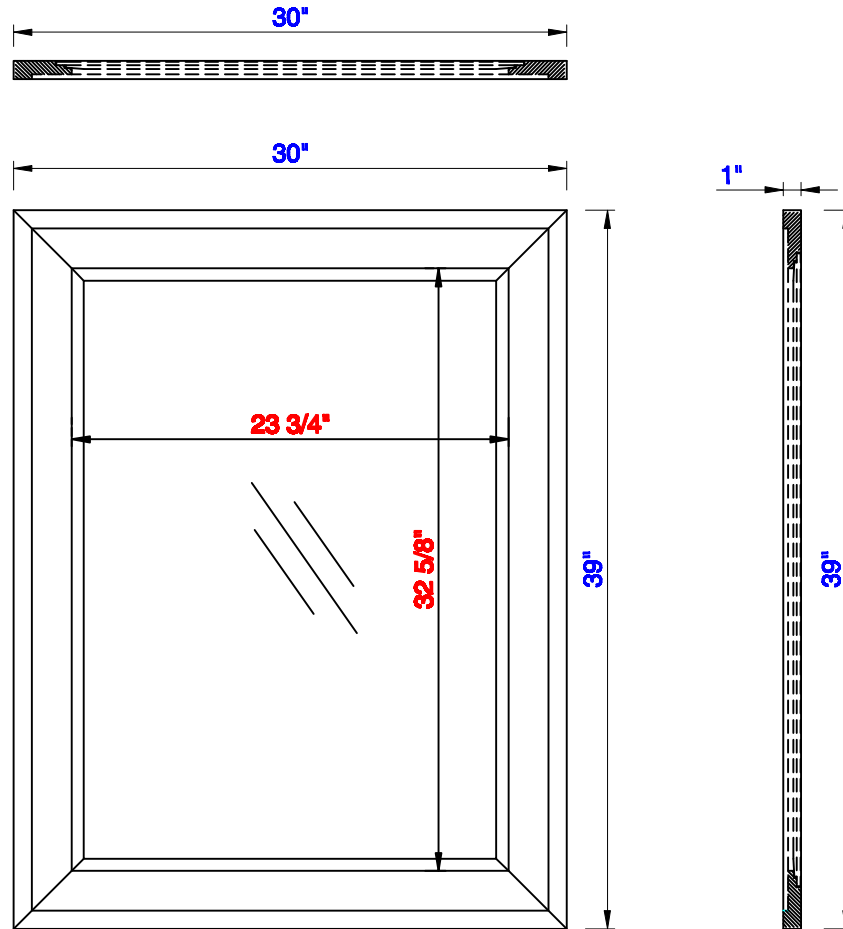
Item Number:
E444-M30-MCA

JAMES MARTIN



VANITIES™

Addison 30" Mirror
Diagrams with Dimensions
page 01 of 01



762mm

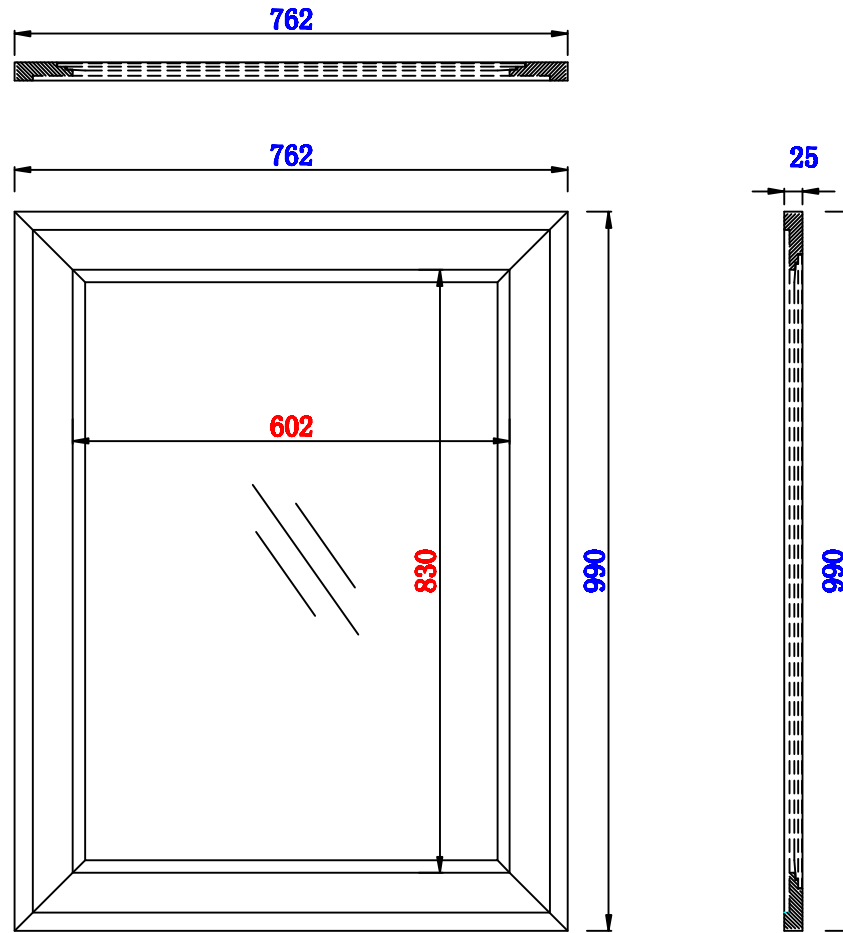
Item Number:
E444-M30-MCA

JAMES MARTIN



VANITIES™

Addison 762mm Mirror
Diagrams with Dimensions
page 01 of 01

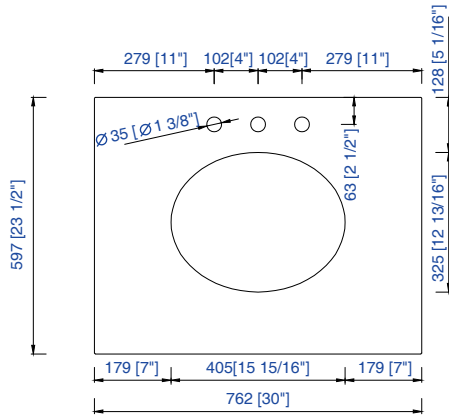




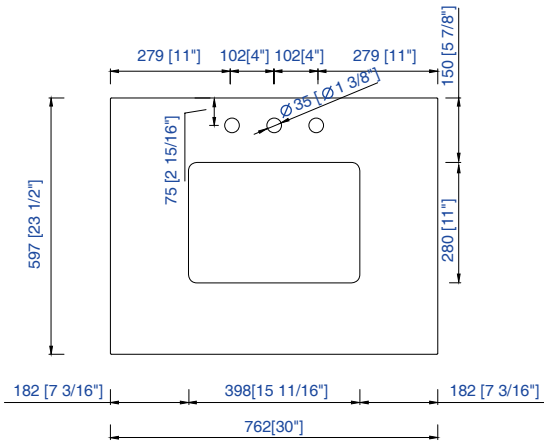
30" Vanity Top Spec Sheet

James Martin Vanities Company always recommends you consult and/or hire a professional contractor when installing your vanity cabinet and top.

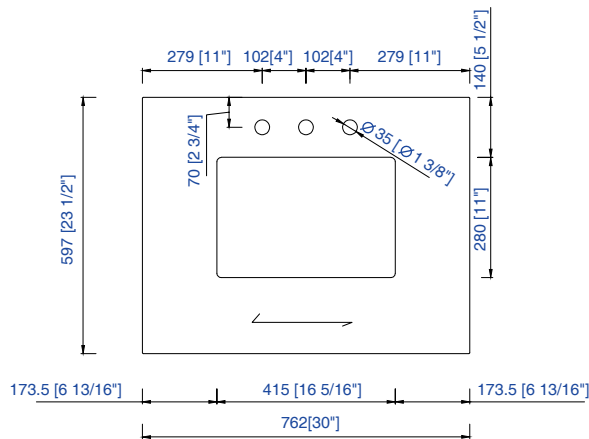
3cm/1.18"
Countertop



James Martin - Natural Stone Countertop Measurement Specification



James Martin - Natural Stone & Solid Surface Countertop Measurement Specification

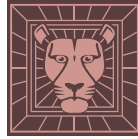


James Martin - Quartz Countertop Measurement Specification

30"

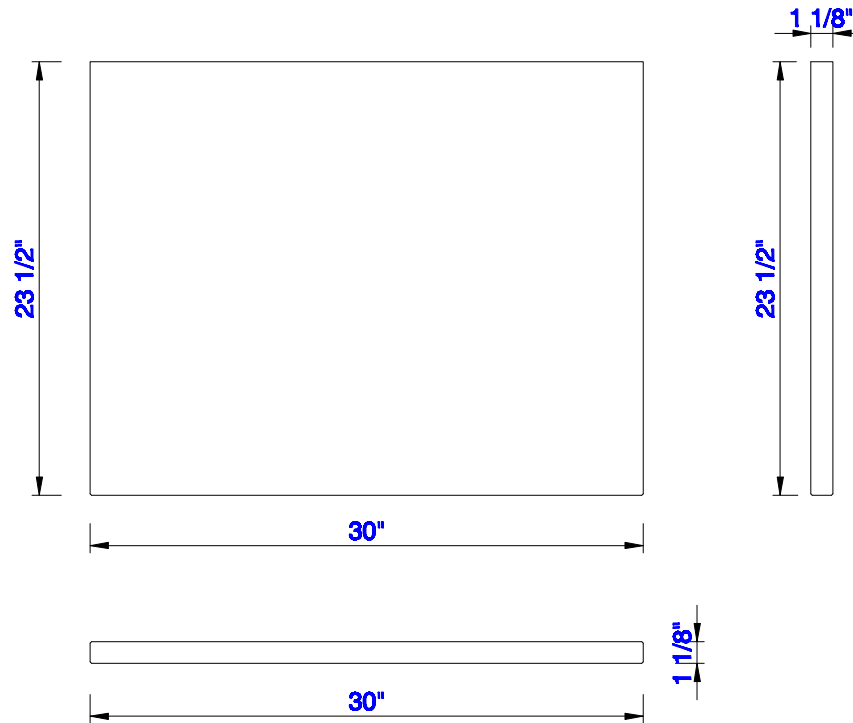
Item Number:
050-T30-CLW
050-T30-CSP
050-T30-EJP
050-T30-GEX
080-T30-AF
090-T30-CAR

JAMES MARTIN



VANITIES™

30" Top for Makeup Counter
Diagrams with Dimensions
page 01 of 01



762mm

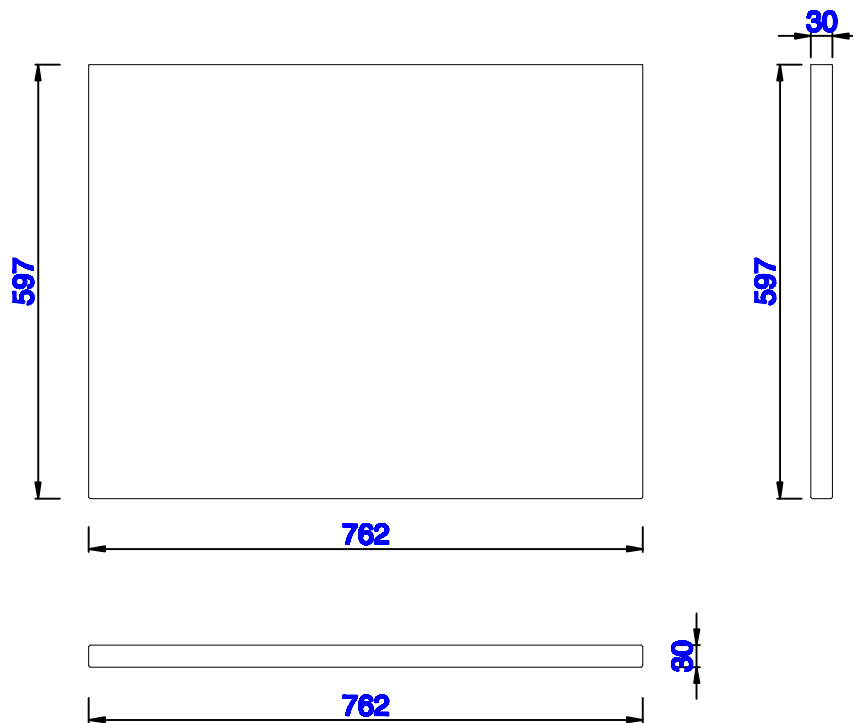
Item Number:
050-T30-CLW
050-T30-CSP
050-T30-EJP
050-T30-GEX
080-T30-AF
090-T30-CAR

JAMES MARTIN



VANITIES™

762mm Top for Makeup Counter
Diagrams with Dimensions
page 01 of 01

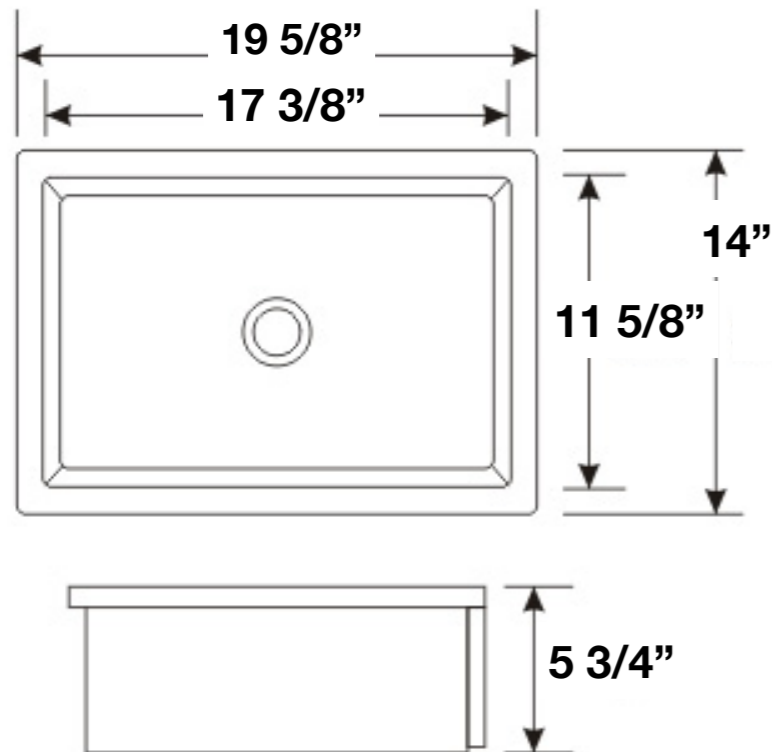




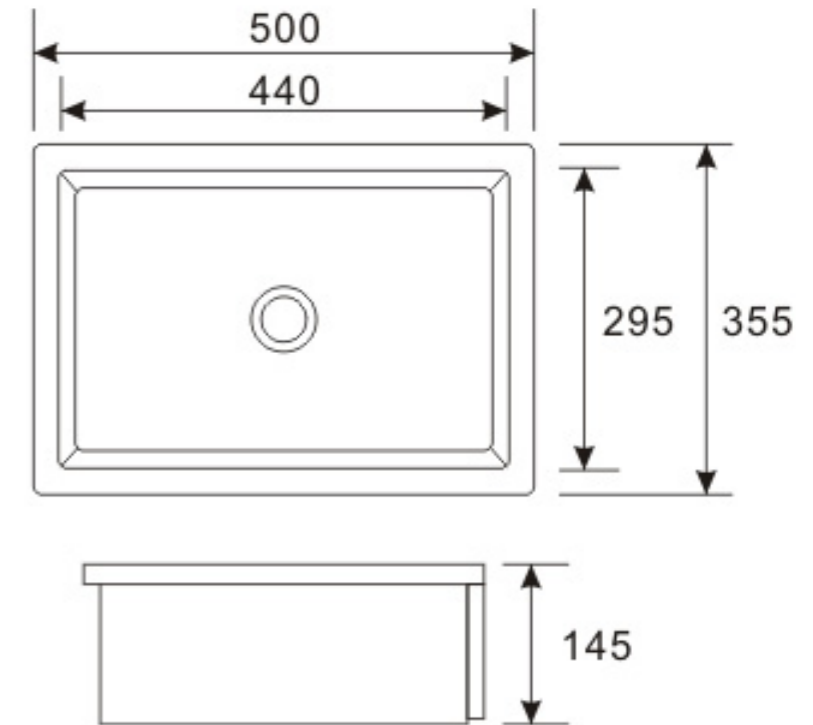
James Martin Vanities - Nova Rectangular Undermount Sink (Basin) **SNK-RCT-WHT**

Used with 3cm thickness premium rectangular countertops:
Silestone Quartz

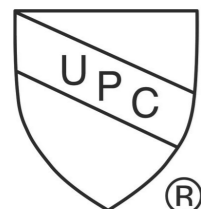
Imperial Measurements



Metric Measurements

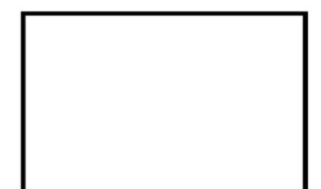


OD Size: 500 x 355 x 145 mm
19 5/8" x 14" x 5 6/8"
ID Size: 440 x 295 mm
17 3/8" x 11 5/8"



Complies with:
ASME A112.19.2-2013
CSA B45.1-13

white



2018 Rv.