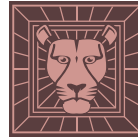


72"

Item Number:

825-V72-BNM  
825-V72-BW  
825-V72-SL

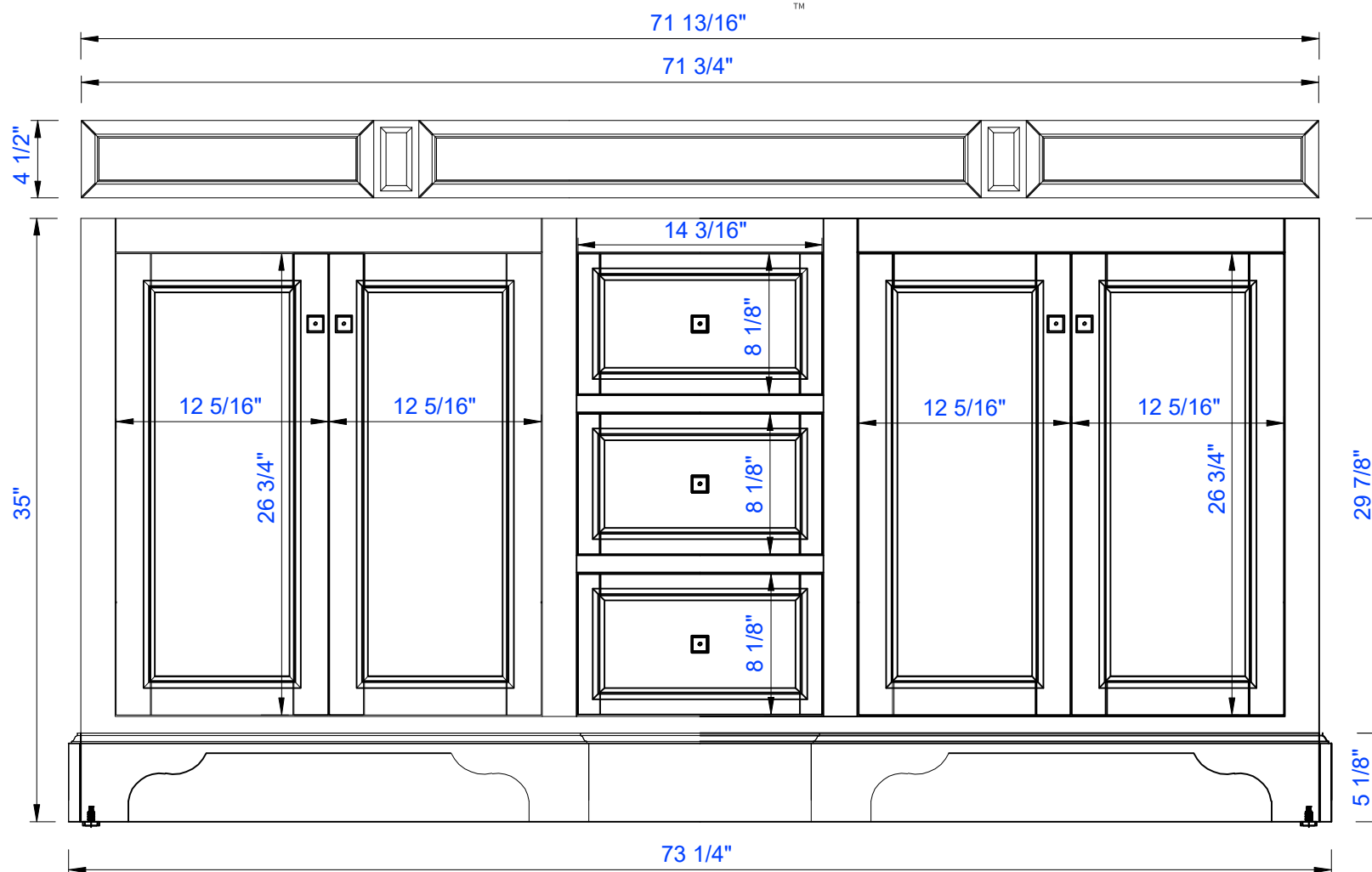
JAMES MARTIN



VANITIES™

De Soto 72" Double Vanity

Diagrams with Dimensions  
page 01 of 03



NOTE ONE: Countertops are not shown in these diagrams. (Cabinet Only)

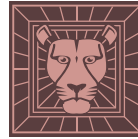
NOTE TWO: Wood Backsplash (Shown) is designed for the molding detail to align with sinks in James Martin's Optional Countertops. Customer's own countertops and sinks may align differently, and modification may be required. Please consult our website for Countertop Diagrams: [www.jamesmartinvanities.com](http://www.jamesmartinvanities.com)

72"

Item Number:

825-V72-BNM  
825-V72-BW  
825-V72-SL

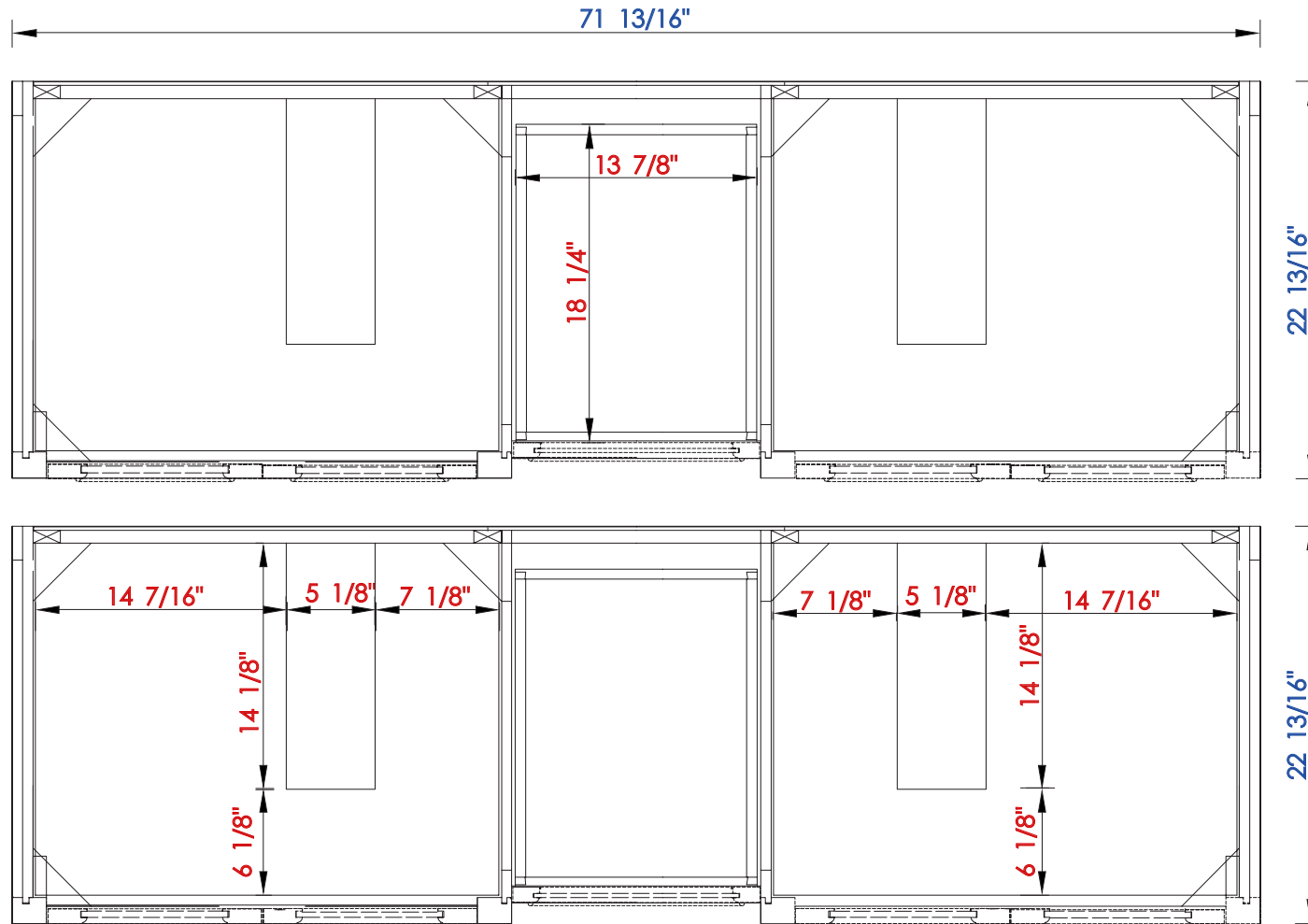
JAMES MARTIN



VANITIES™

De Soto 72" Double Vanity

Diagrams with Dimensions  
page 02 of 03



NOTE ONE: Countertops are not shown in these diagrams. (Cabinet Only)

NOTE TWO: Internal Shelves(Shown) are designed to align with sinks in James Martin's Optional Countertops.

Customer's own countertops and sink may align differently, and modification may be required

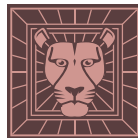
Please consult our website for Countertop Diagrams: [www.jamesmartinvanities.com](http://www.jamesmartinvanities.com)

72"

Item Number:

825-V72-BNM  
825-V72-BW  
825-V72-SL

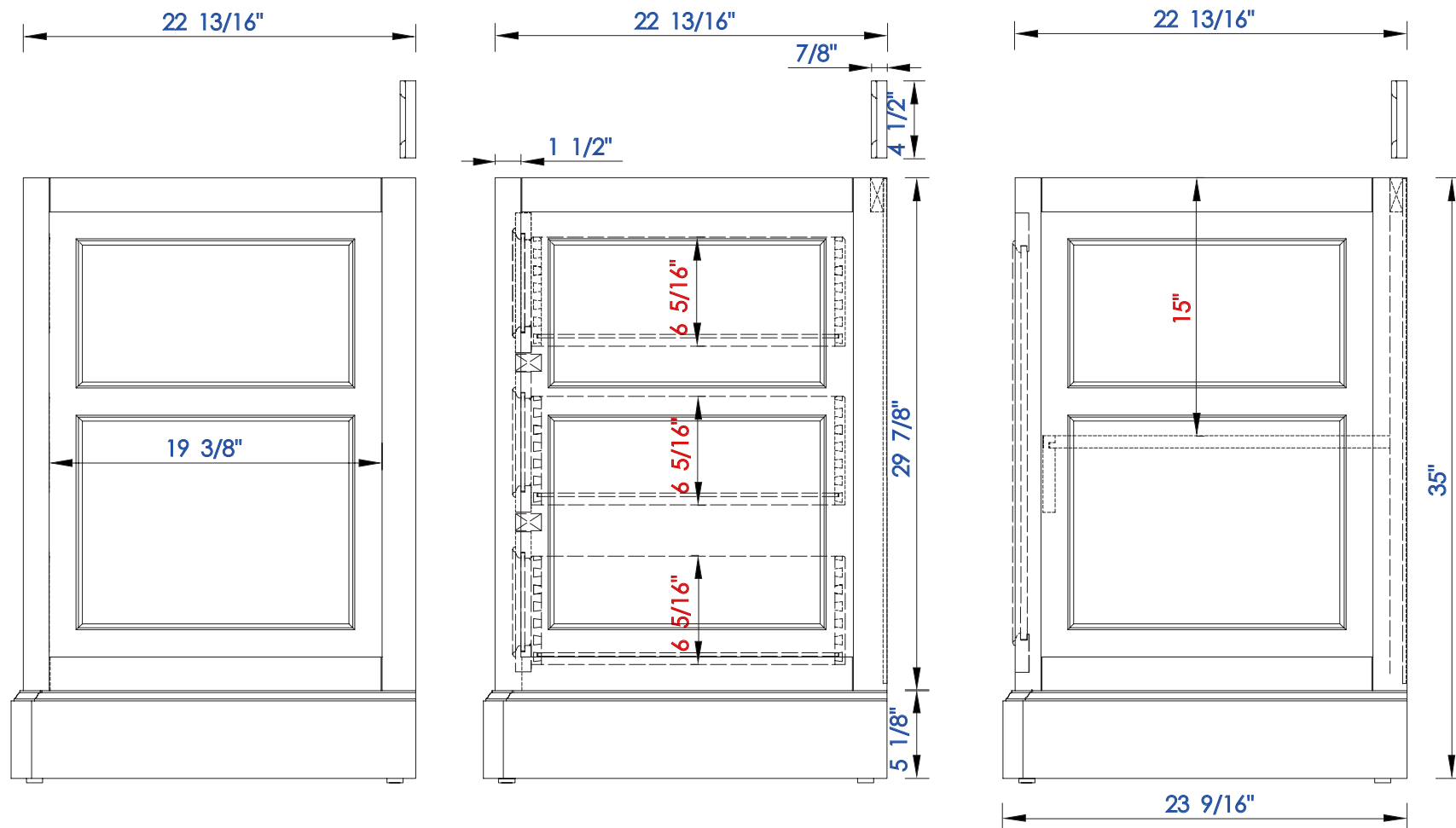
JAMES MARTIN



VANITIES™

De Soto 72" Double Vanity

Diagrams with Dimensions  
page 03 of 03



NOTE ONE: Countertops are not shown in these diagrams. (Cabinet Only)

NOTE TWO: Wood Backsplash (Shown) is designed for the molding detail to align with sinks in James Martin's Optional Countertops.

Customer's own countertops and sinks may align differently, and modification may be required

Please consult our website for Countertop Diagrams: [www.jamesmartinvanities.com](http://www.jamesmartinvanities.com)

Version: 201906

1829 mm

Item Number:

825-V72-BNM  
825-V72-BW  
825-V72-SL

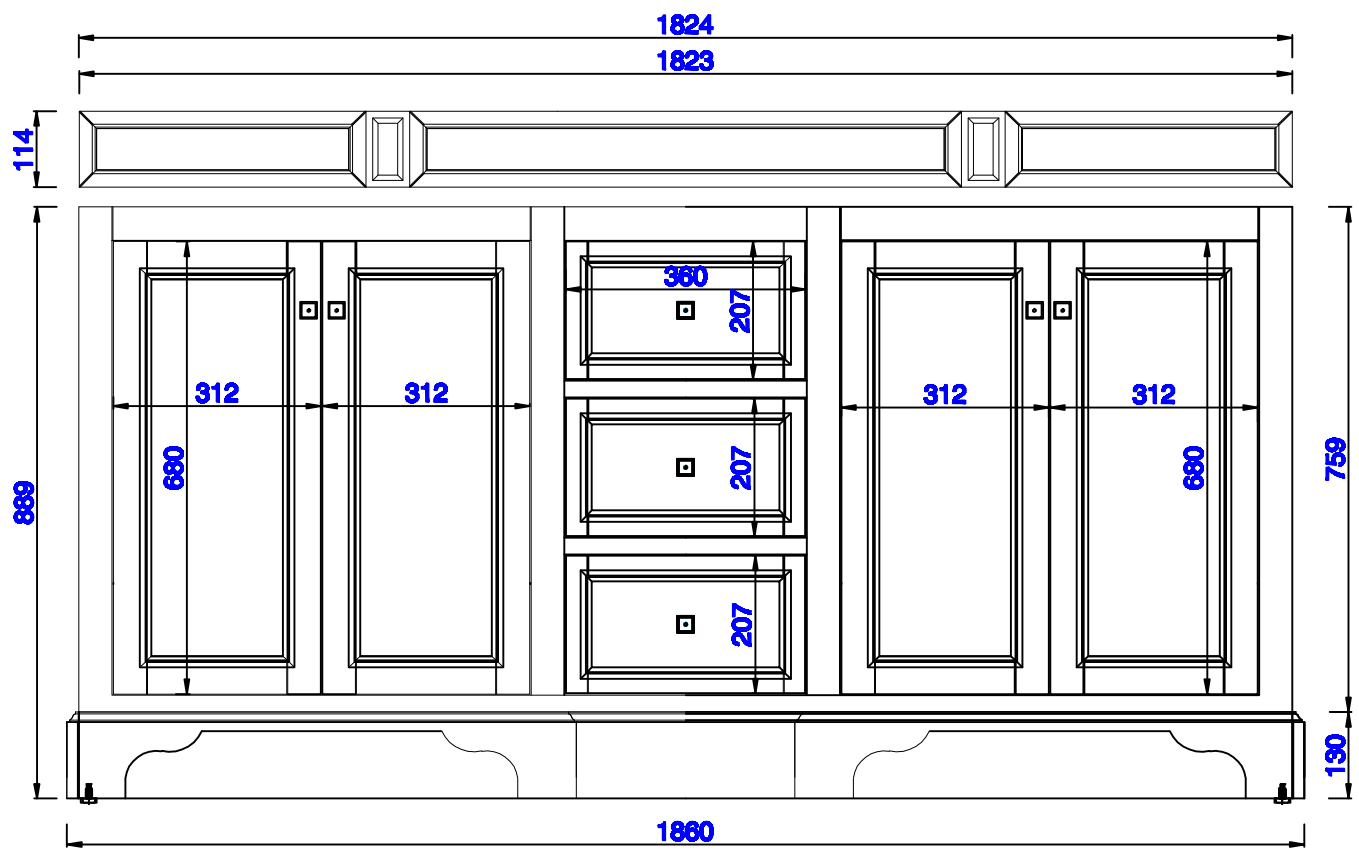
JAMES MARTIN



VANITIES™

De Soto 1829mm Double Vanity

Diagrams with Dimensions  
page 01 of 03



NOTE ONE: Countertops are not shown in these diagrams. (Cabinet Only)

NOTE TWO: Wood Backsplash (Shown) is designed for the molding detail to align with sinks in James Martin's Optional Countertops.

Customer's own countertops and sinks may align differently, and modification may be required

Please consult our website for Countertop Diagrams: [www.jamesmartinvanities.com](http://www.jamesmartinvanities.com)

Version: 201906

1829 mm

Item Number:

825-V72-BNM  
825-V72-BW  
825-V72-SL

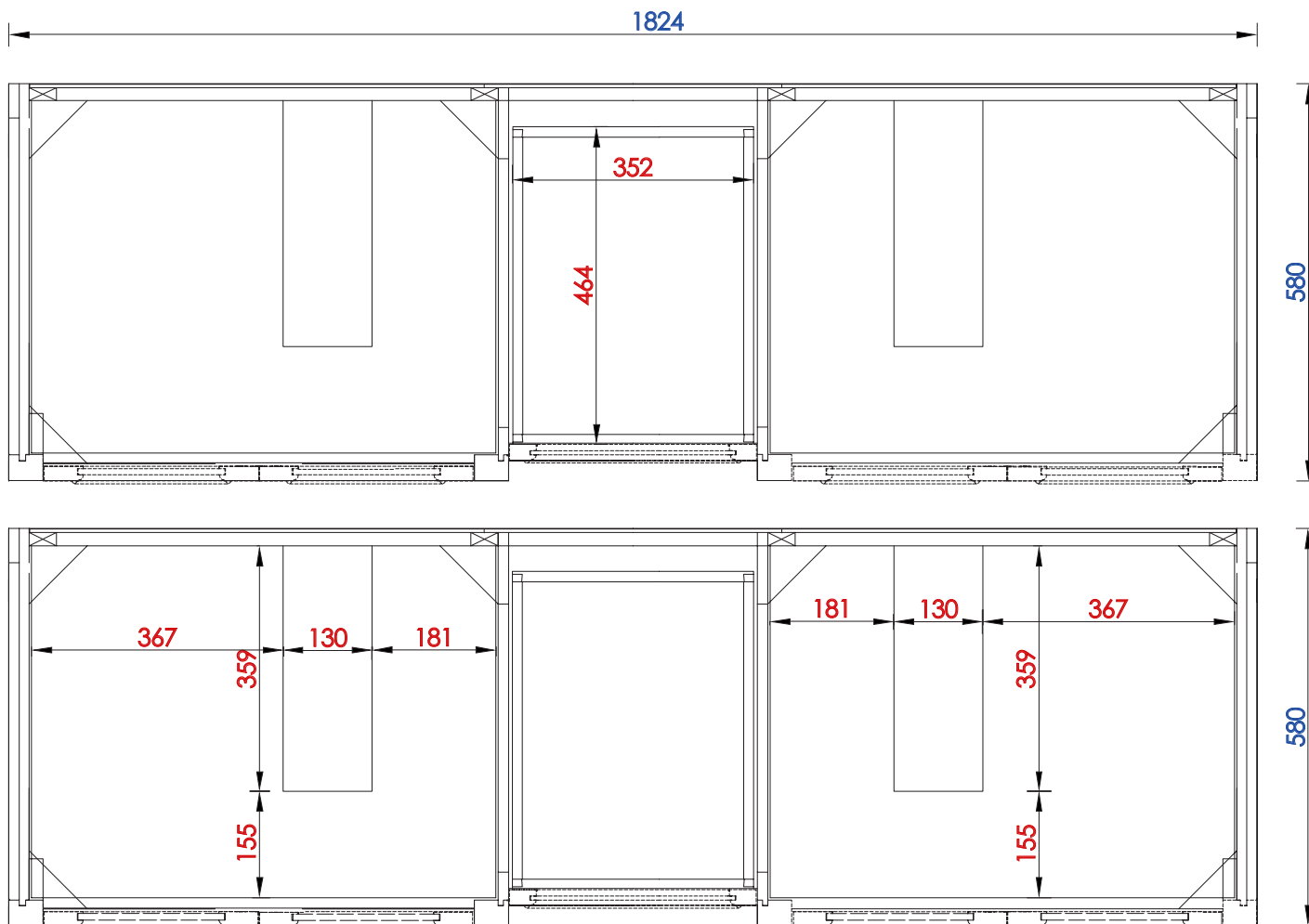
JAMES MARTIN



VANITIES™

De Soto 1829mm Double Vanity

Diagrams with Dimensions  
page 02 of 03



NOTE ONE: Countertops are not shown in these diagrams. (Cabinet Only)

NOTE TWO: Internal Shelves(Shown) are designed to align with sinks in James Martin's Optional Countertops.

Customer's own countertops and sink may align differently, and modification may be required

Please consult our website for Countertop Diagrams: [www.jamesmartinvanities.com](http://www.jamesmartinvanities.com)

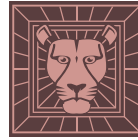
Version: 201906

1829 mm

Item Number:

825-V72-BNM  
825-V72-BW  
825-V72-SL

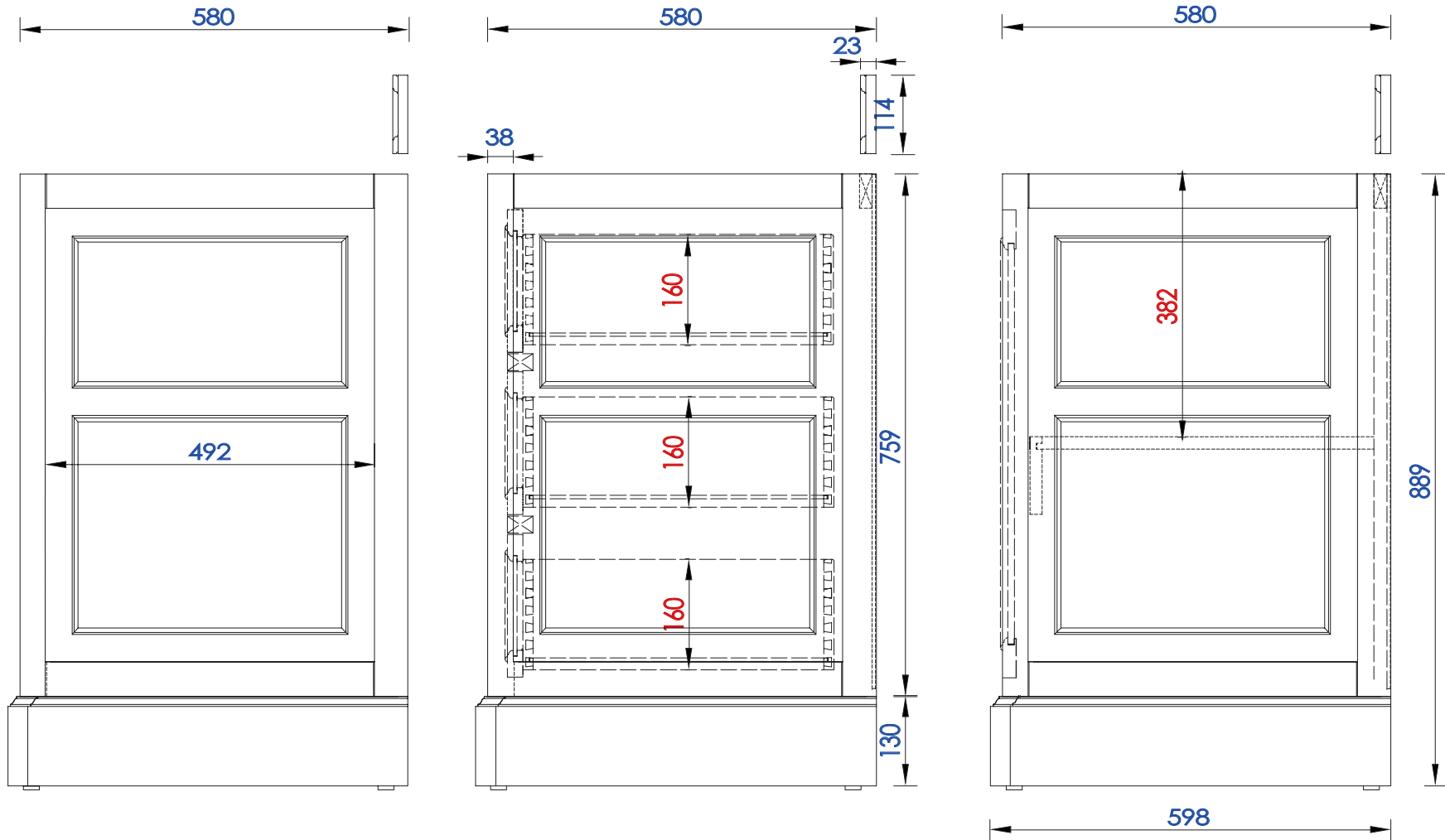
JAMES MARTIN



VANITIES™

De Soto 1829mm Double Vanity

Diagrams with Dimensions  
page 03 of 03



NOTE ONE: Countertops are not shown in these diagrams. (Cabinet Only)

NOTE TWO: Wood Backsplash (Shown) is designed for the molding detail to align with sinks in James Martin's Optional Countertops.

Customer's own countertops and sinks may align differently, and modification may be required

Please consult our website for Countertop Diagrams: [www.jamesmartinvanities.com](http://www.jamesmartinvanities.com)

31 3/8"

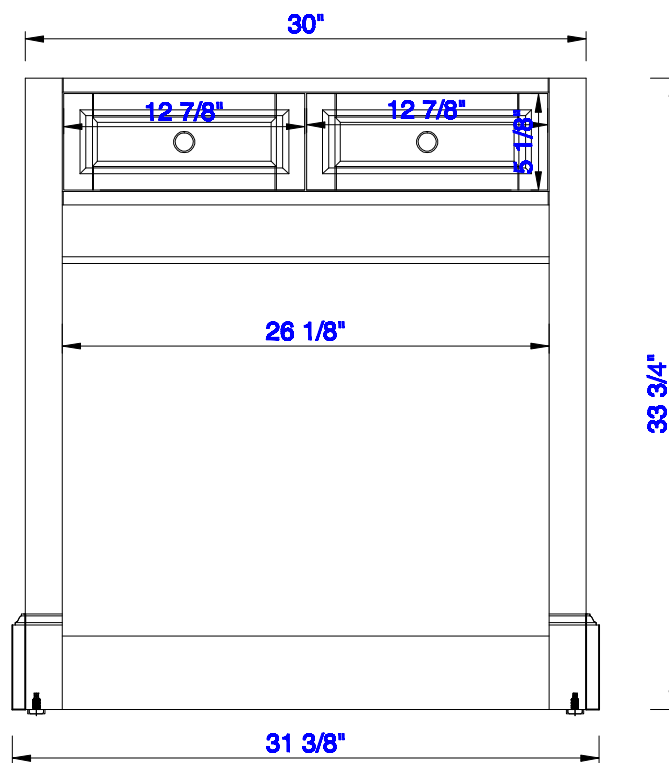
Item Number:  
825-CU30-BW

JAMES MARTIN



VANITIES™

De Soto 31 3/8" Counter top Unit  
Diagrams with Dimensions  
page 01 of 03



**NOTE ONE: Countertops are not shown in these diagrams. (Cabinet Only)**

**NOTE TWO: This vanity does not have a Backsplash.**

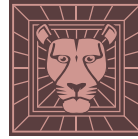
**Please consult our website for Countertop Diagrams: [www.jamesmartinvanities.com](http://www.jamesmartinvanities.com)**

Version:202004

31 3/8"

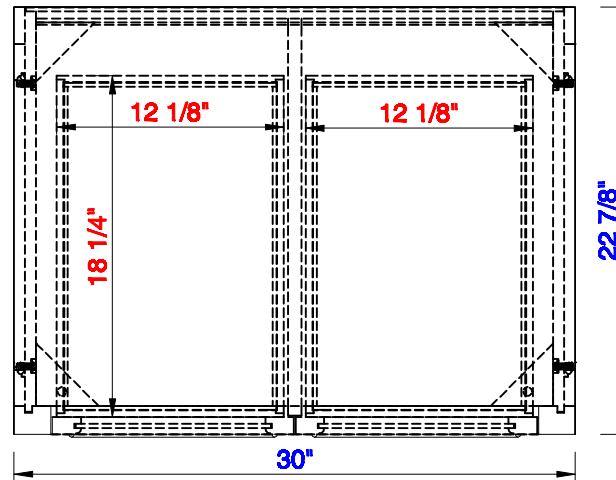
Item Number:  
825-CU30-BW

JAMES MARTIN



VANITIES™

De Soto 31 3/8" Counter top Unit  
Diagrams with Dimensions  
page 02 of 03



**NOTE ONE: Countertops are not shown in these diagrams . (Cabinet Only)**  
Please consult our website for Countertop Diagrams: [www.jamesmartinvanities.com](http://www.jamesmartinvanities.com)

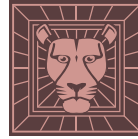
Version:202004



31 3/8"

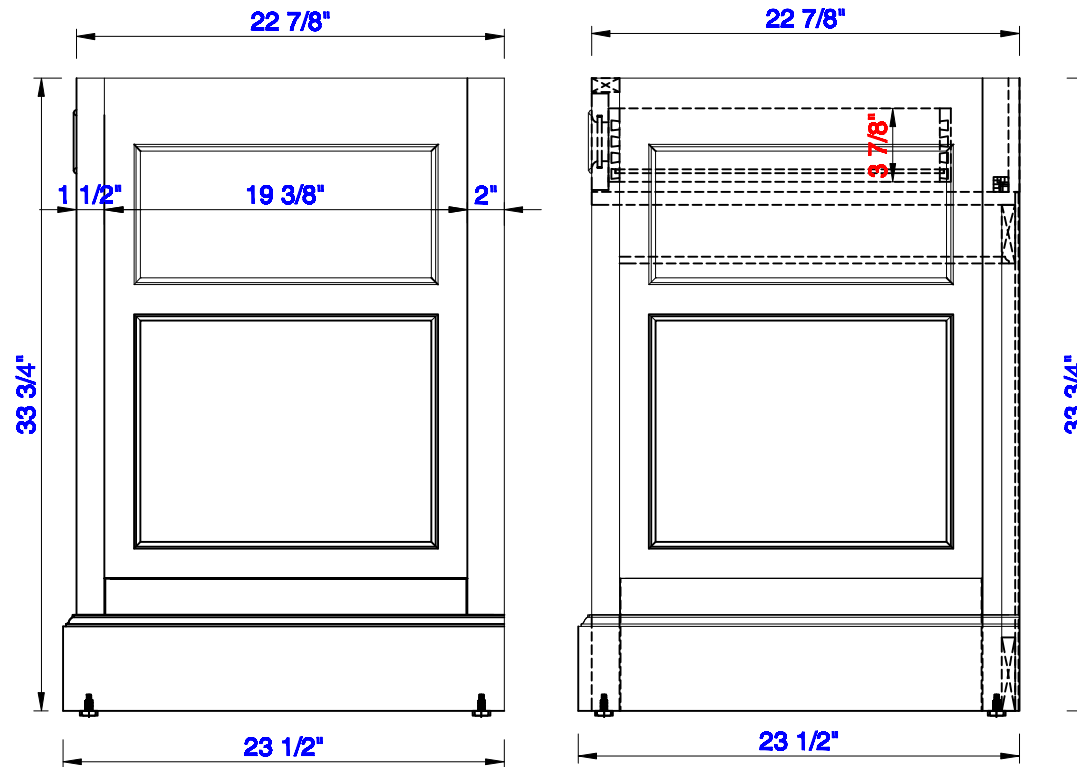
Item Number:  
825-CU30-BW

JAMES MARTIN



VANITIES™

De Soto 31 3/8" Counter top Unit  
Diagrams with Dimensions  
page 03 of 03



**NOTE ONE: Countertops are not shown in these diagrams. (Cabinet Only)**

**NOTE TWO: This vanity does not have a Backsplash.**

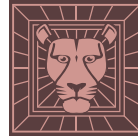
Please consult our website for Countertop Diagrams: [www.jamesmartinvanities.com](http://www.jamesmartinvanities.com)

Version:202004

798mm

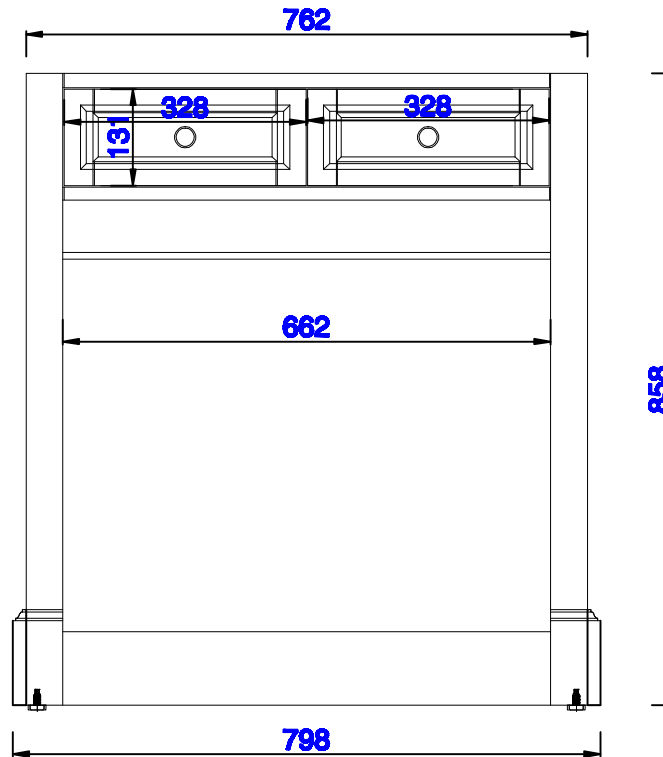
Item Number:  
825-CU30-BW

JAMES MARTIN



VANITIES™

De Soto 798mm Counter top Unit  
Diagrams with Dimensions  
page 01 of 03



**NOTE ONE: Countertops are not shown in these diagrams. (Cabinet Only)**

**NOTE TWO: This vanity does not have a Backsplash.**

Please consult our website for Countertop Diagrams: [www.jamesmartinvanities.com](http://www.jamesmartinvanities.com)

Version:202004

798mm

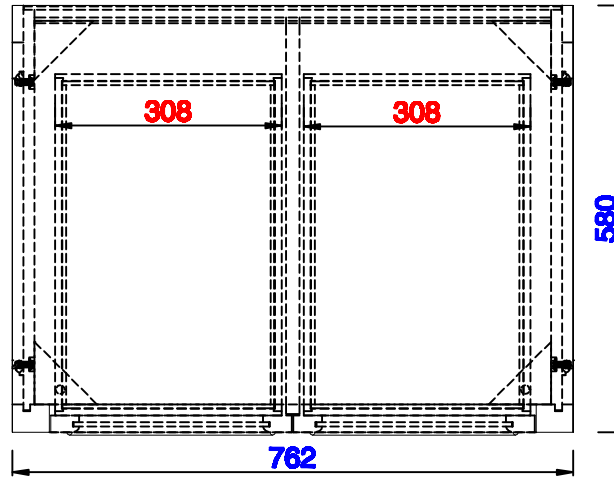
Item Number:  
825-CU30-BW

JAMES MARTIN



VANITIES™

De Soto 798mm Counter top Unit  
Diagrams with Dimensions  
page 02 of 03



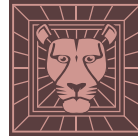
**NOTE ONE: Countertops are not shown in these diagrams . (Cabinet Only)**  
Please consult our website for Countertop Diagrams: [www.jamesmartinvanities.com](http://www.jamesmartinvanities.com)

Version:202004

798mm

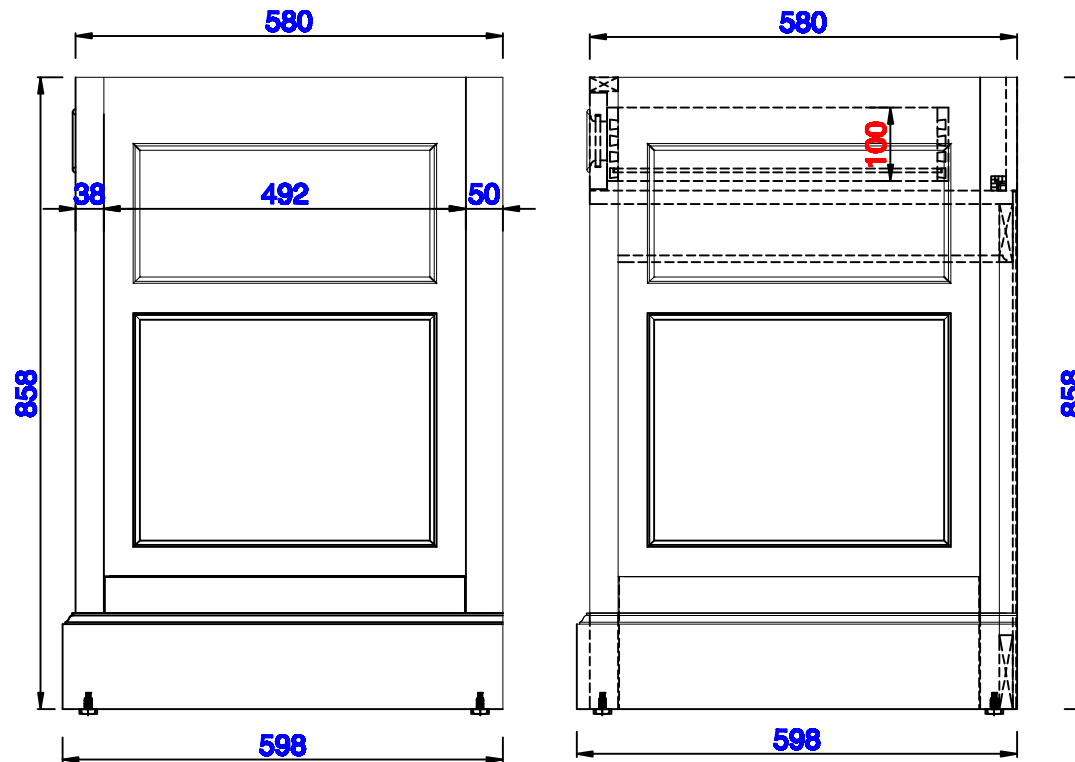
Item Number:  
825-CU30-BW

JAMES MARTIN



VANITIES™

De Soto 798mm Counter top Unit  
Diagrams with Dimensions  
page 03 of 03



**NOTE ONE:** Countertops are not shown in these diagrams . (Cabinet Only)

**NOTE TWO:** This vanity does not have a Backsplash.

Please consult our website for Countertop Diagrams: [www.jamesmartinvanities.com](http://www.jamesmartinvanities.com)

Version:202004

25 7/8"

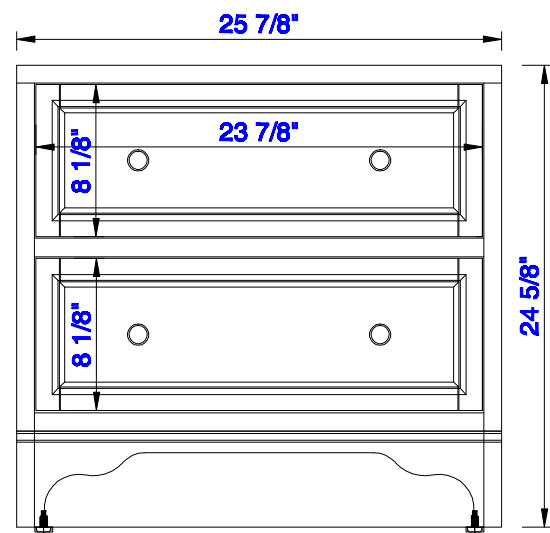
Item Number:  
825-DU26-BW

JAMES MARTIN



VANITIES™

De Soto 25 7/8" Drawer Unit  
Diagrams with Dimensions  
page 01 of 03



25 7/8"

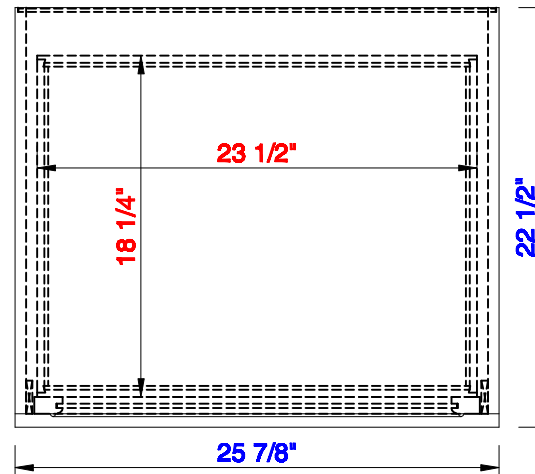
Item Number:  
825-DU26-BW

JAMES MARTIN



VANITIES™

De Soto 25 7/8" Drawer Unit  
Diagrams with Dimensions  
page 02 of 03



25 7/8"

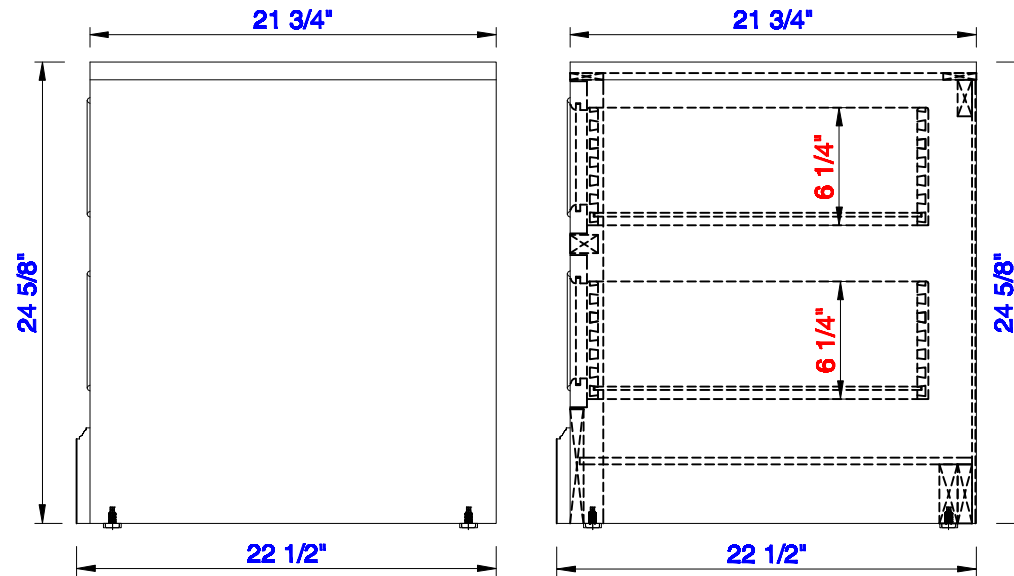
Item Number:  
825-DU26-BW

JAMES MARTIN



VANITIES™

De Soto 25 7/8" Drawer Unit  
Diagrams with Dimensions  
page 03 of 03



658mm

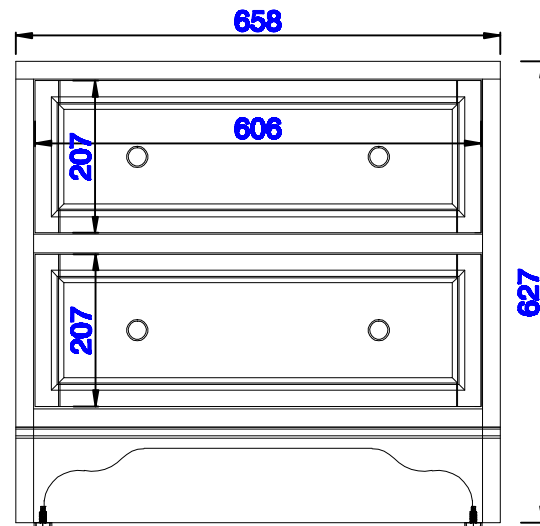
Item Number:  
825-DU26-BW

JAMES MARTIN



VANITIES™

De Soto 658mm Drawer Unit  
Diagrams with Dimensions  
page 01 of 03





658mm

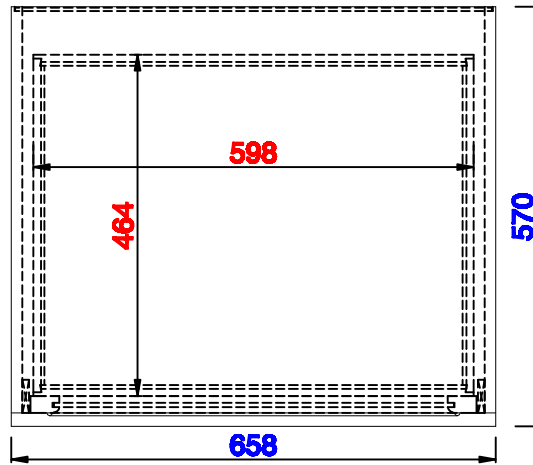
Item Number:  
825-DU26-BW

JAMES MARTIN



VANITIES™

De Soto 658mm Drawer Unit  
Diagrams with Dimensions  
page 02 of 03



658mm

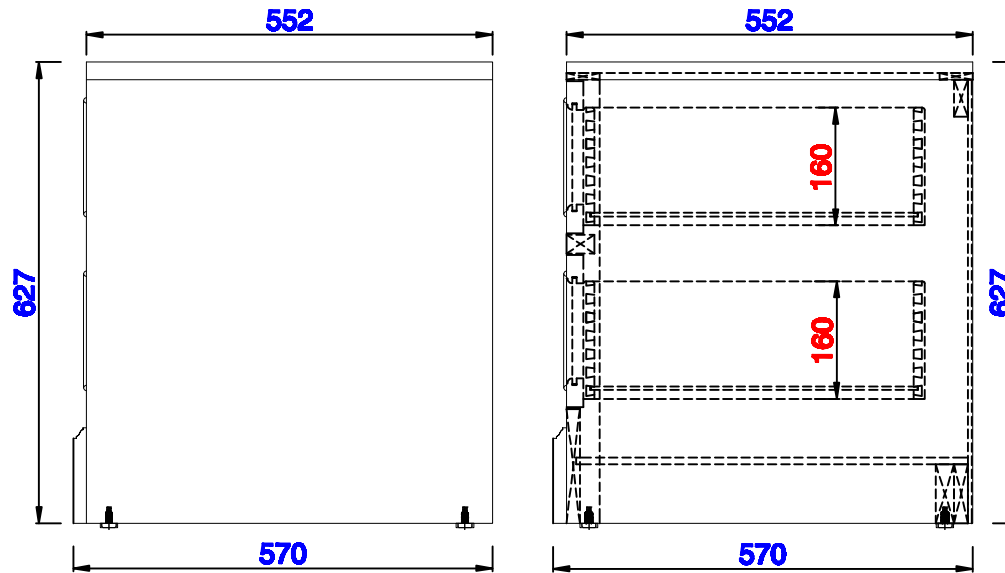
Item Number:  
825-DU26-BW

JAMES MARTIN



VANITIES™

De Soto 658mm Drawer Unit  
Diagrams with Dimensions  
page 03 of 03



31 1/4"

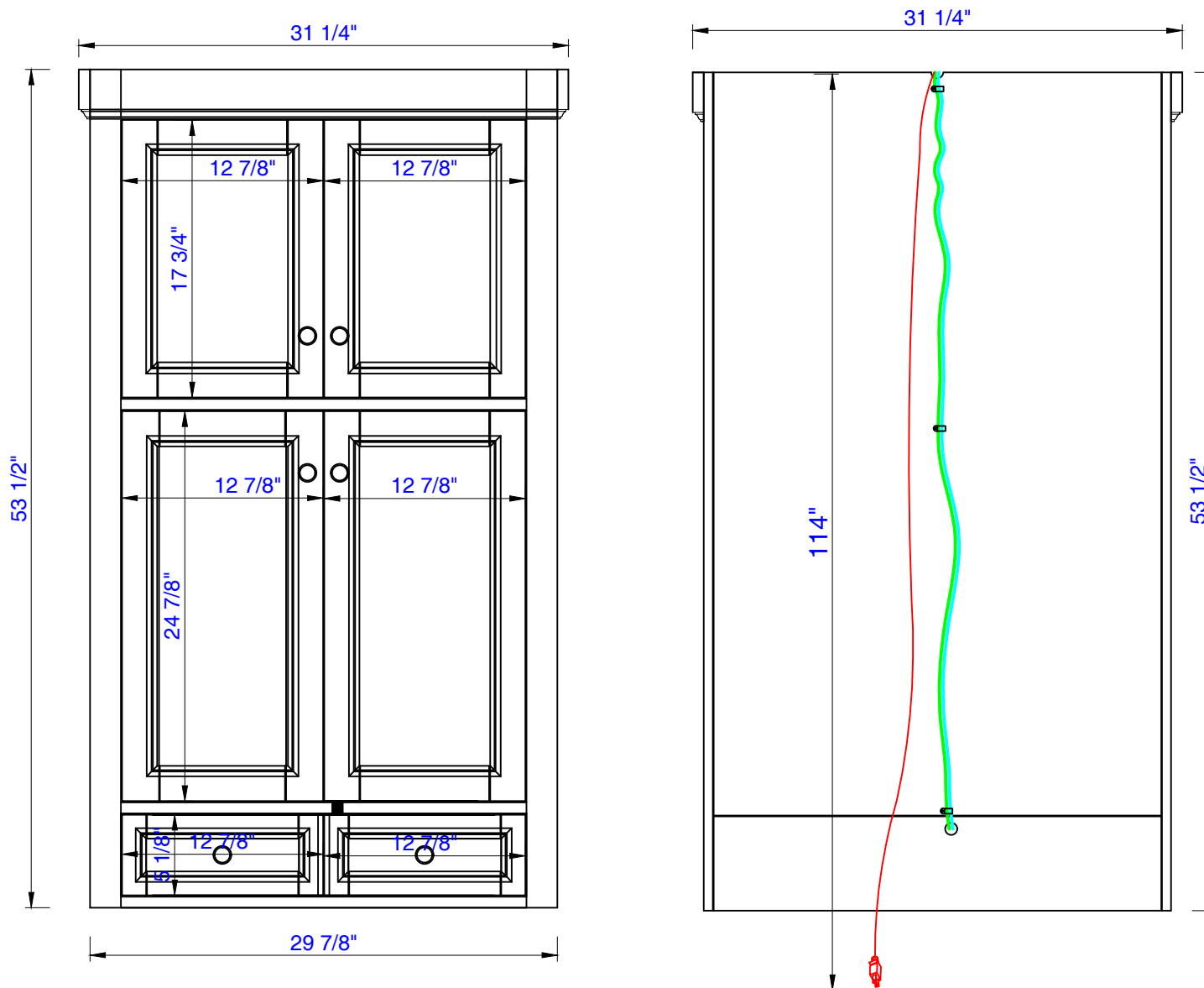
Item Number:  
825-H30-BW

JAMES MARTIN



VANITIES™

De Soto 31 1/4" Tower Hutch  
Diagrams with Dimensions  
page 01 of 03

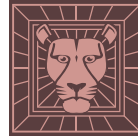


Version:202106

31 1/4"

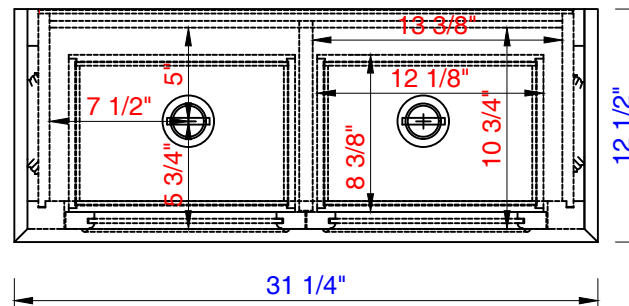
Item Number:  
825-H30-BW

JAMES MARTIN



VANITIES™

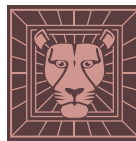
De Soto 31 1/4" Tower Hutch  
Diagrams with Dimensions  
page 02 of 03



31 1/4"

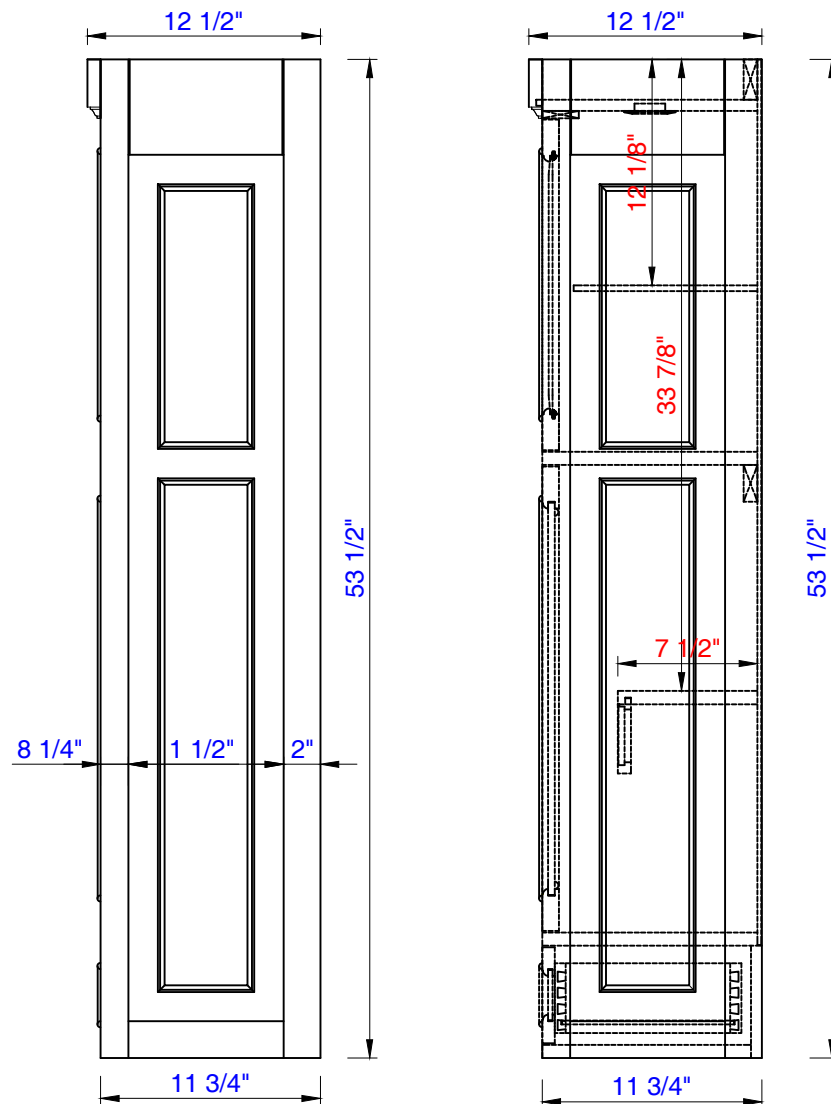
Item Number:  
825-H30-BW

JAMES MARTIN



VANITIES™

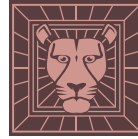
De Soto 31 1/4" Tower Hutch  
Diagrams with Dimensions  
page 03 of 03



794mm

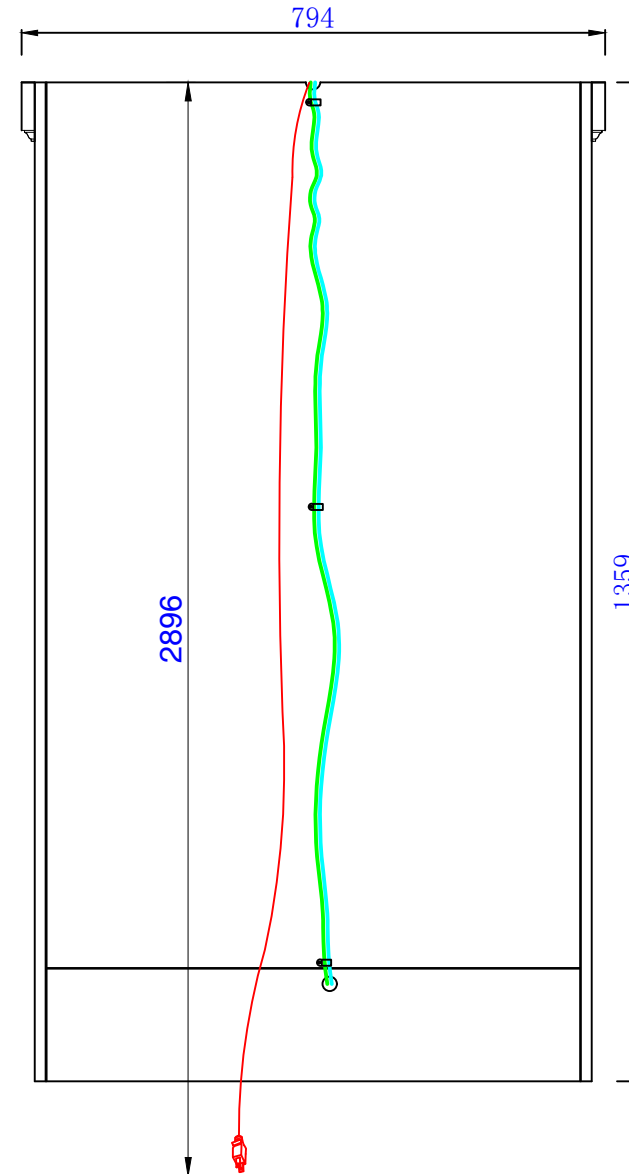
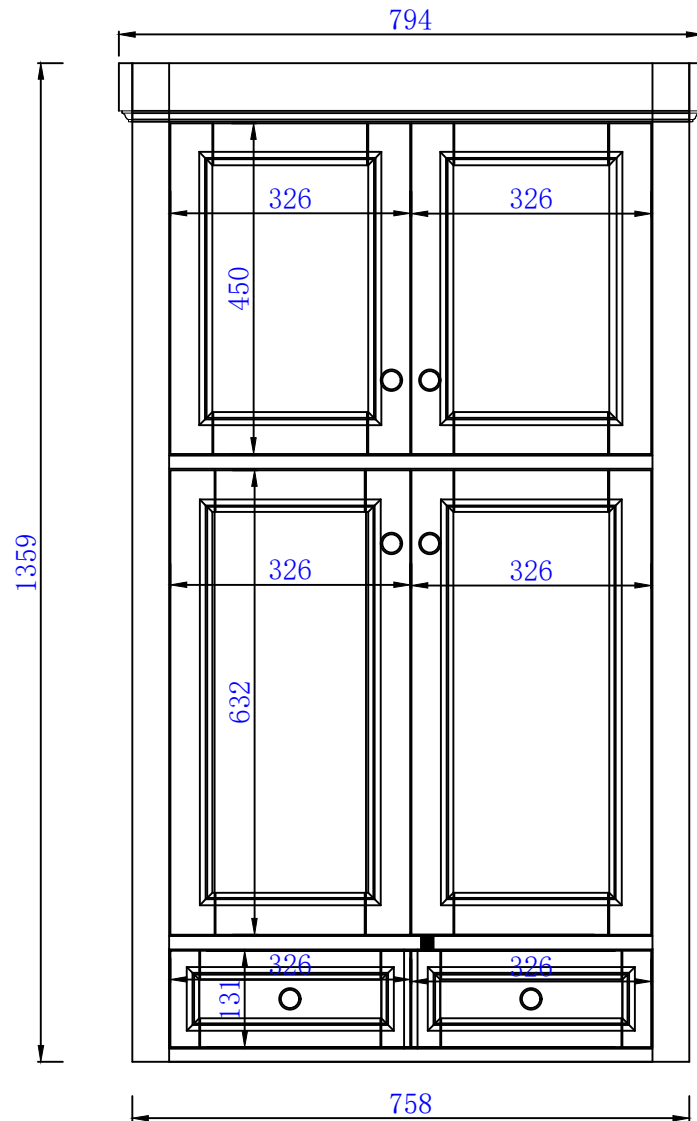
Item Number:  
825-H30-BW

JAMES MARTIN



VANITIES™

De Soto 794mm Tower Hutch  
Diagrams with Dimensions  
page 01 of 03

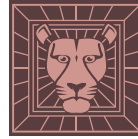


Version:202106

794mm

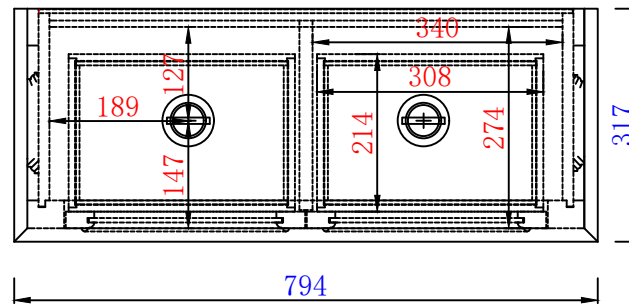
Item Number:  
825-H30-BW

JAMES MARTIN



VANITIES™

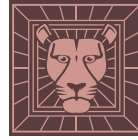
De Soto 794mm Tower Hutch  
Diagrams with Dimensions  
page 02 of 03



794mm

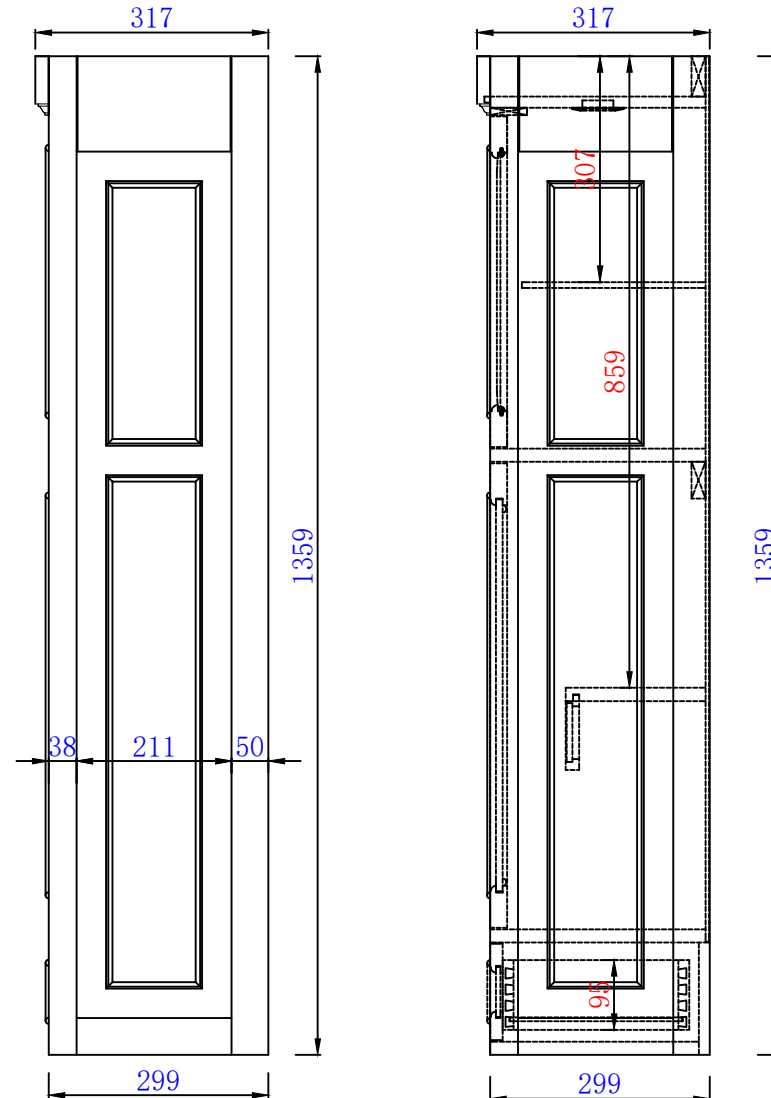
Item Number:  
825-H30-BW

JAMES MARTIN



VANITIES™

De Soto 794mm Tower Hutch  
Diagrams with Dimensions  
page 03 of 03





24 1/2"

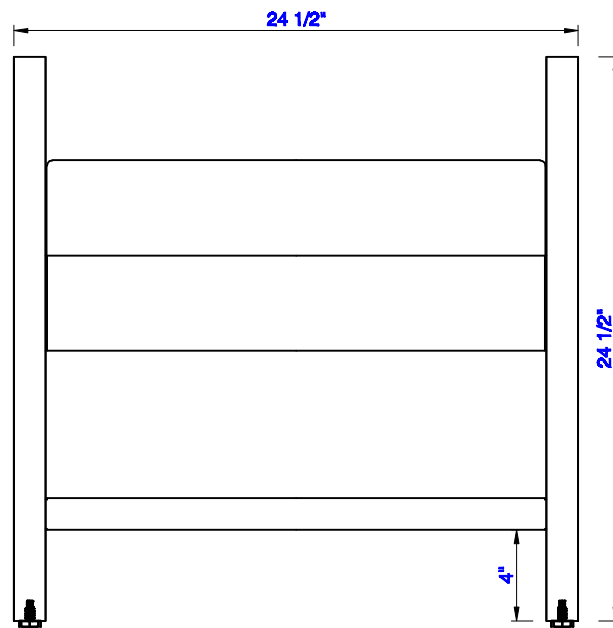
Item Number:  
E444-BNCH-MCA

JAMES MARTIN



VANITIES™

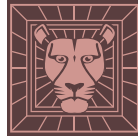
Addison 24 1/2" Upholstered Bench  
Diagrams with Dimensions  
page 01 of 03



24 1/2"

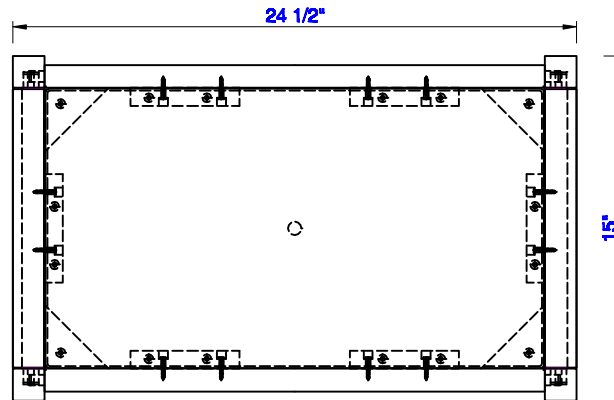
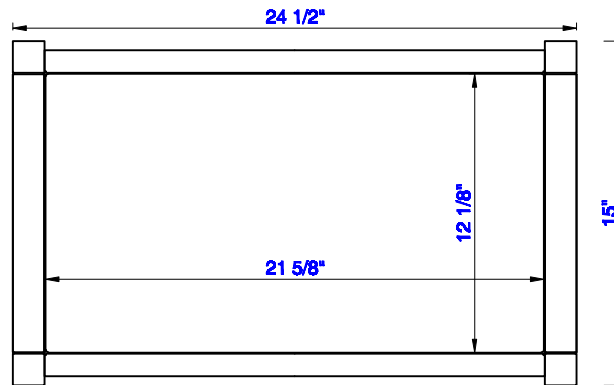
Item Number:  
E444-BNCH-MCA

JAMES MARTIN



VANITIES™

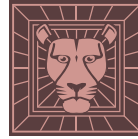
Addison 24 1/2" Upholstered Bench  
Diagrams with Dimensions  
page 02 of 03



24 1/2"

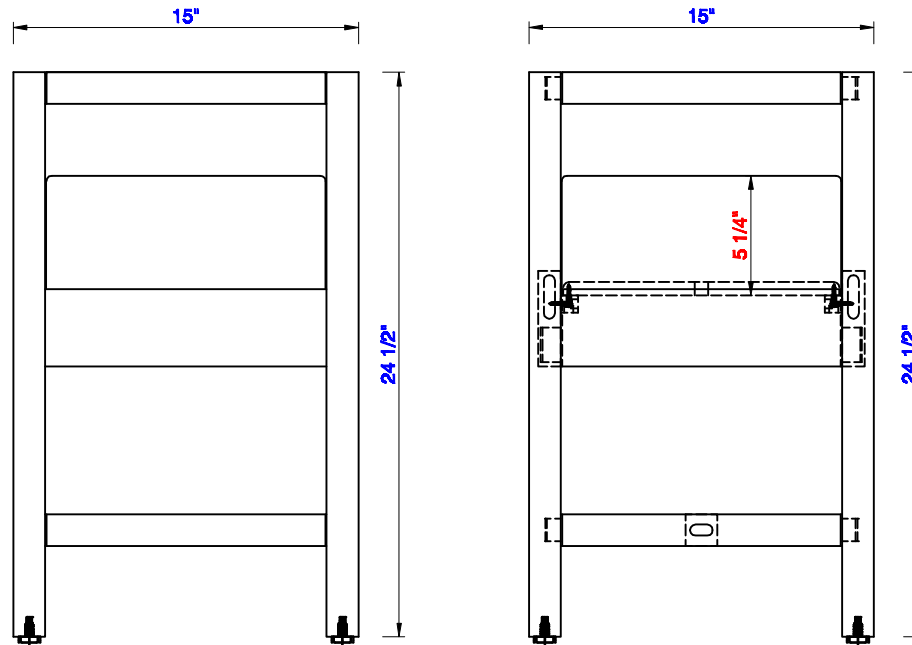
Item Number:  
E444-BNCH-MCA

JAMES MARTIN



VANITIES™

Addison 24 1/2" Upholstered Bench  
Diagrams with Dimensions  
page 03 of 03



622mm

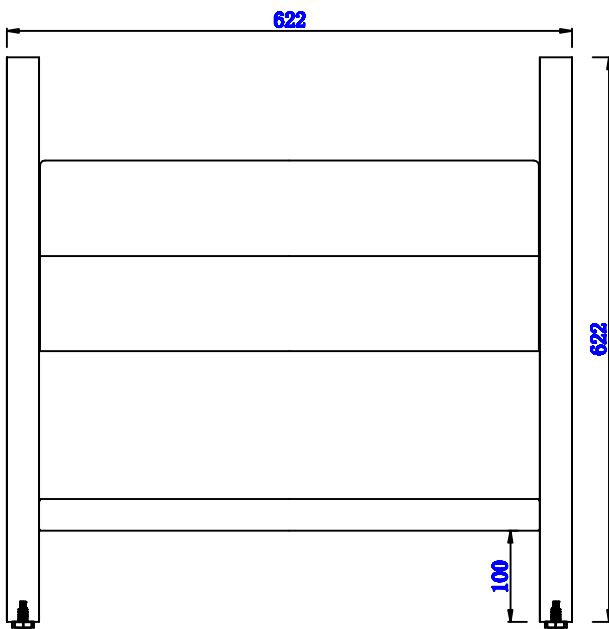
Item Number:  
E444-BNCH-MCA

JAMES MARTIN



VANITIES™

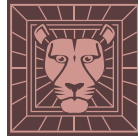
Addison 622mm Upholstered Bench  
Diagrams with Dimensions  
page 01 of 03



622mm

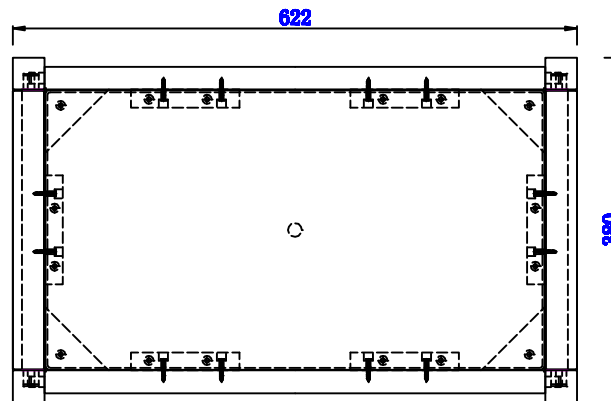
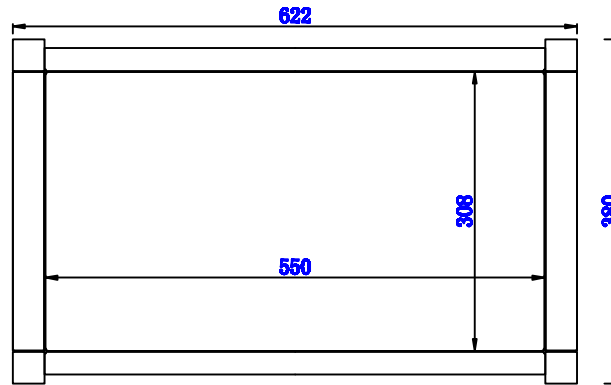
Item Number:  
E444-BNCH-MCA

JAMES MARTIN



VANITIES™

Addison 622mm Upholstered Bench  
Diagrams with Dimensions  
page 02 of 03



622mm

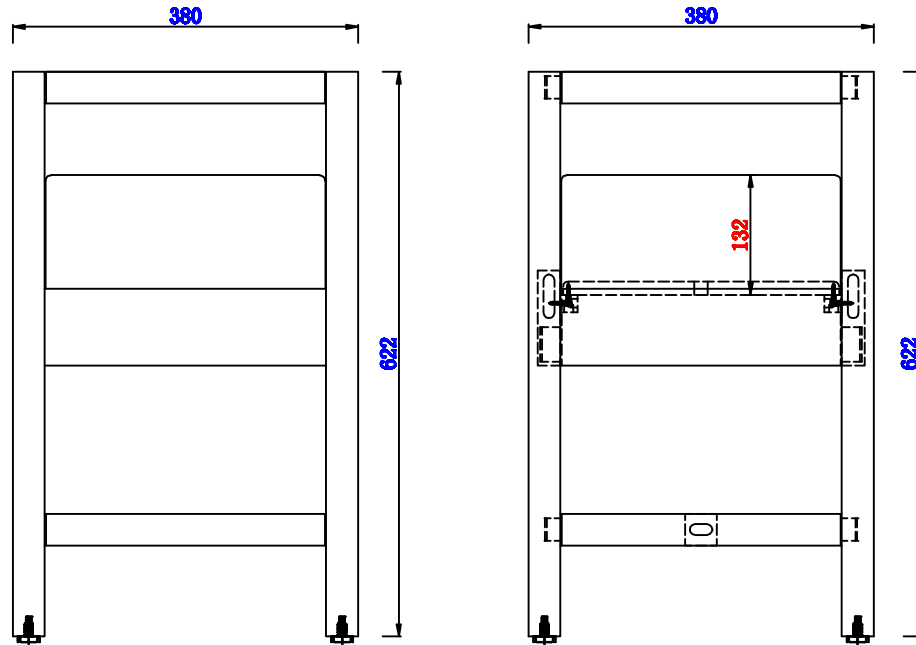
Item Number:  
E444-BNCH-MCA

JAMES MARTIN



VANITIES™

Addison 622mm Upholstered Bench  
Diagrams with Dimensions  
page 03 of 03



29"

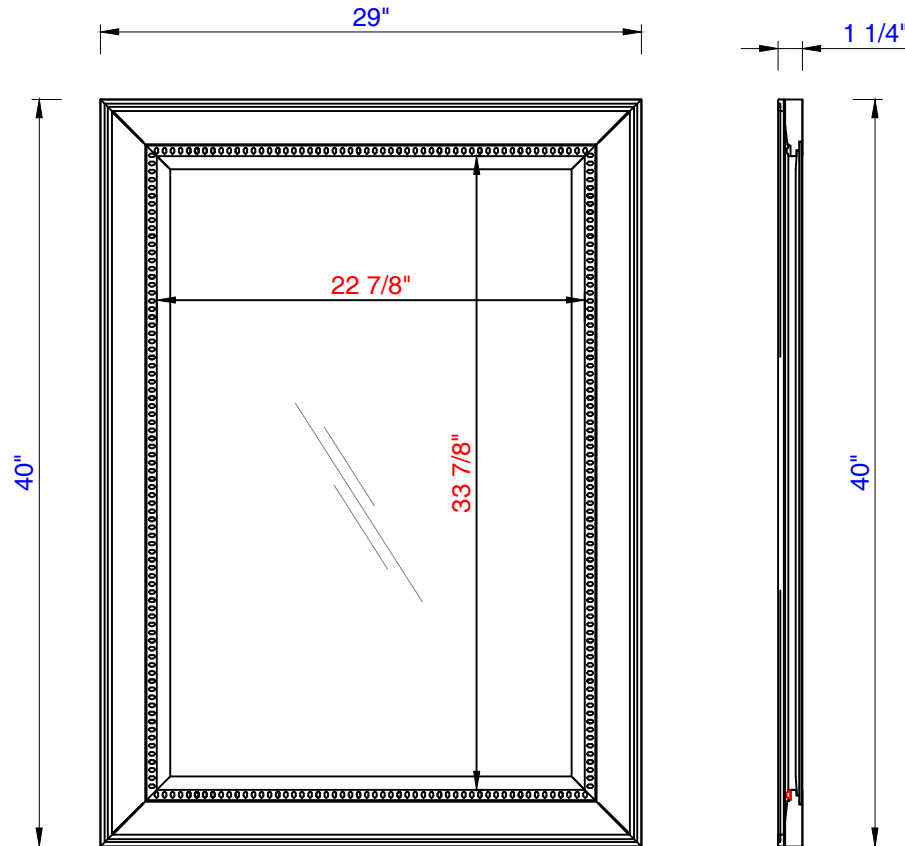
Item Number:  
157-M29-BNM  
157-M29-BW  
157-M29-GW  
157-M29-SBR  
157-M29-SGR  
157-M29-SL  
157-M29-VV  
157-M29-WW

JAMES MARTIN



VANITIES™

Bristol 29" Mirror  
Diagrams with Dimensions  
page 01 of 01



736mm

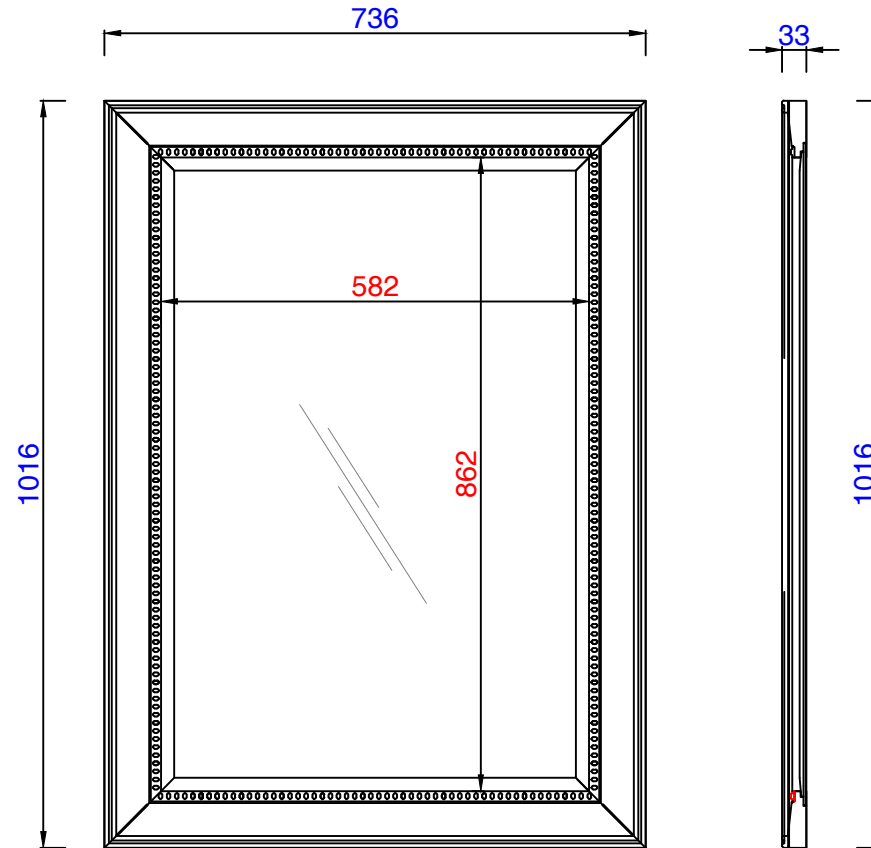
Item Number:  
157-M29-BNM  
157-M29-BW  
157-M29-GW  
157-M29-SBR  
157-M29-SGR  
157-M29-SL  
157-M29-VV  
157-M29-WW

JAMES MARTIN



VANITIES™

Bristol 736mm Mirror  
Diagrams with Dimensions  
page 01 of 01



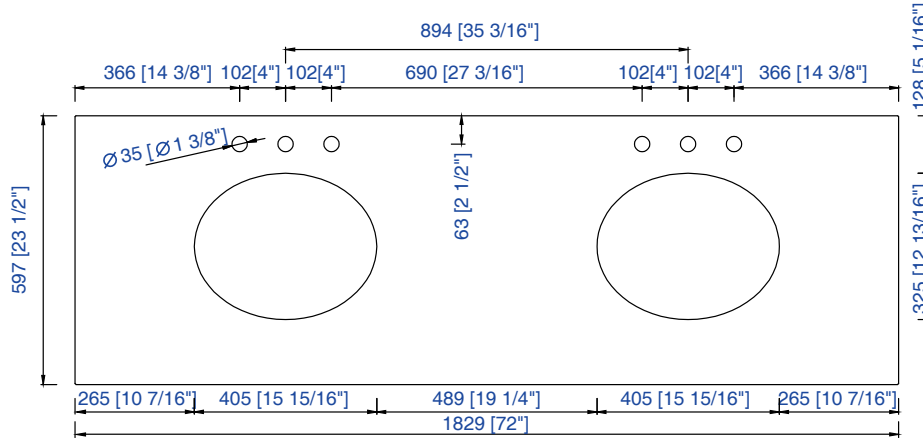




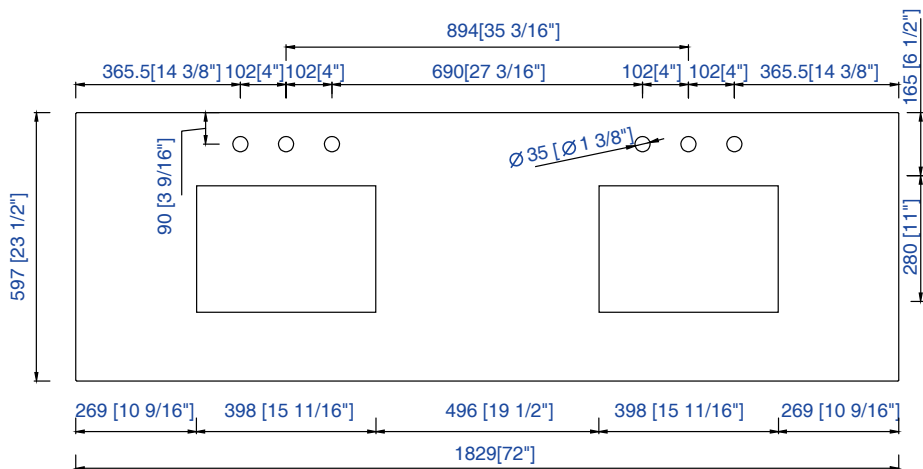
# I G' Vanity Top Spec Sheet

James Martin Vanities Company always recommends you consult and/or hire a professional contractor when installing your vanity cabinet and top.

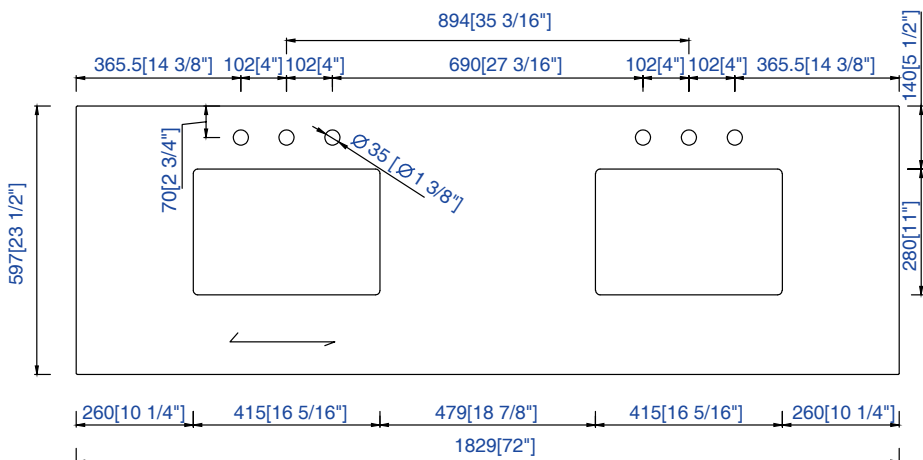
3cm/1.18"  
Countertop



James Martin - Natural Stone Countertop Measurement Specification



James Martin - Natural Stone & Solid Surface Countertop Measurement Specification

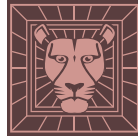


James Martin - Quartz Countertop Measurement Specification

30"

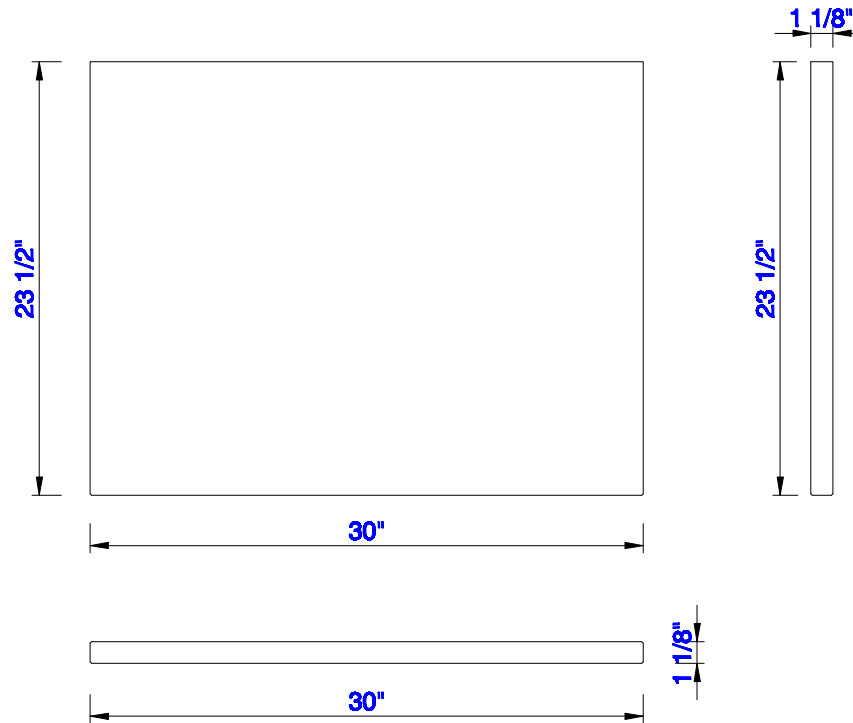
Item Number:  
050-T30-CLW  
050-T30-CSP  
050-T30-EJP  
050-T30-GEX  
080-T30-AF  
090-T30-CAR

JAMES MARTIN



VANITIES™

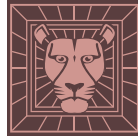
30" Top for Makeup Counter  
Diagrams with Dimensions  
page 01 of 01



762mm

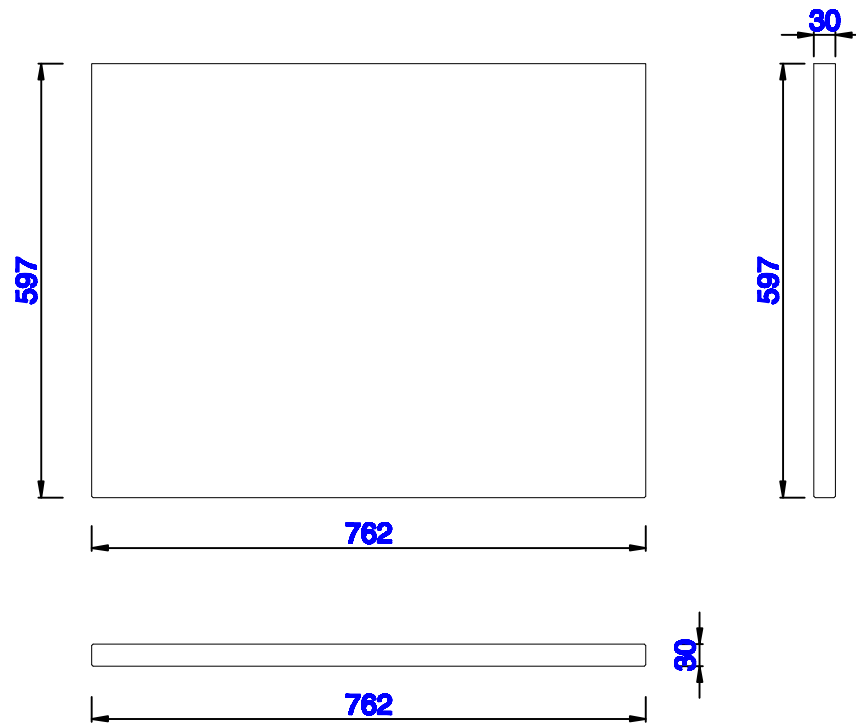
Item Number:  
050-T30-CLW  
050-T30-CSP  
050-T30-EJP  
050-T30-GEX  
080-T30-AF  
090-T30-CAR

JAMES MARTIN



VANITIES™

762mm Top for Makeup Counter  
Diagrams with Dimensions  
page 01 of 01

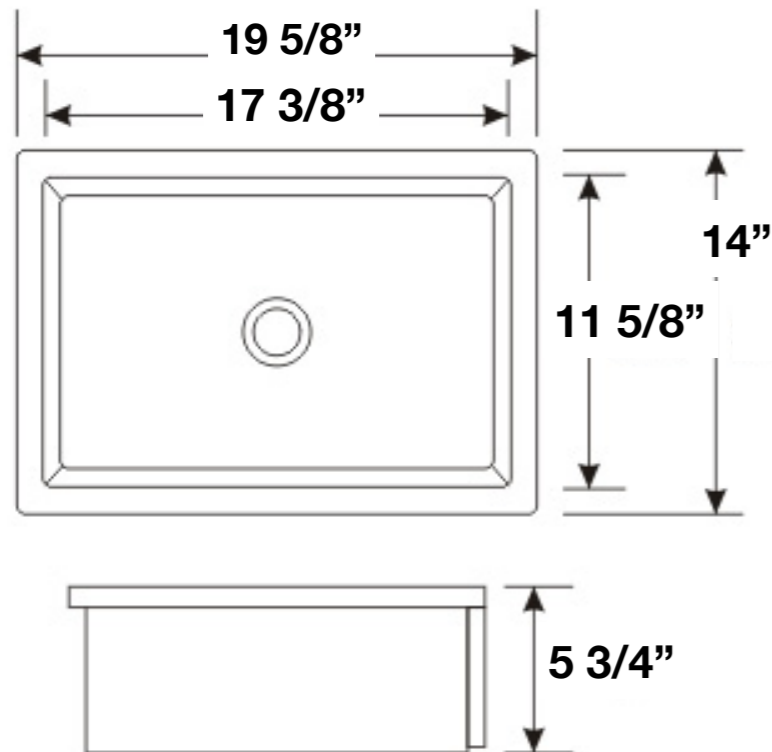




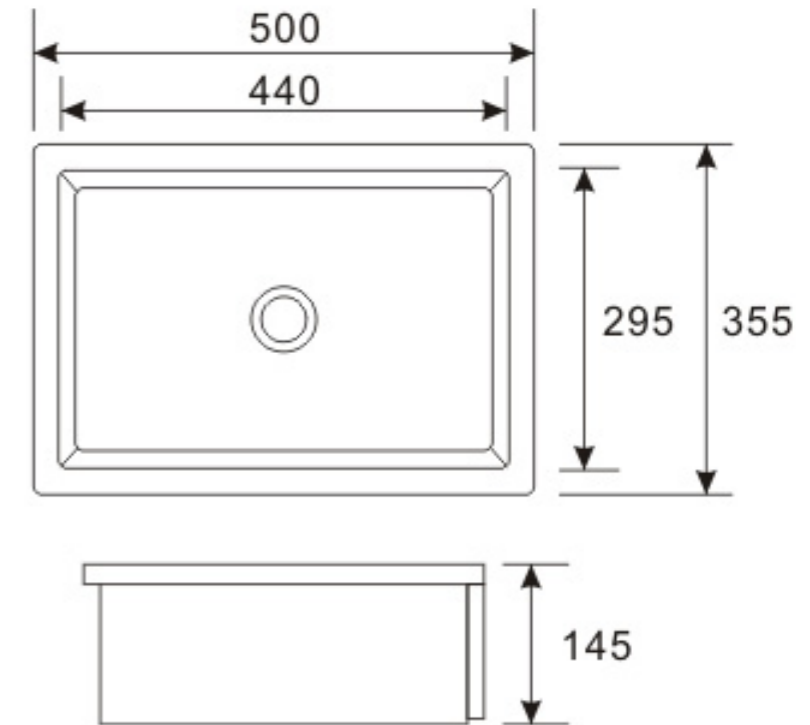
# James Martin Vanities - Nova Rectangular Undermount Sink (Basin) **SNK-RCT-WHT**

Used with 3cm thickness premium rectangular countertops:  
Silestone Quartz

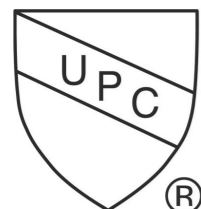
### Imperial Measurements



### Metric Measurements

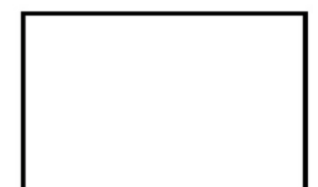


OD Size: 500 x 355 x 145 mm  
 19 5/8" x 14" x 5 6/8"  
 ID Size: 440 x 295 mm  
 17 3/8" x 11 5/8"



**Complies with:**  
 ASME A112.19.2-2013  
 CSA B45.1-13

white



2018 Rv.