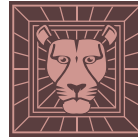


48"

Item Number:

825-V48-BNM
825-V48-BW
825-V48-SL

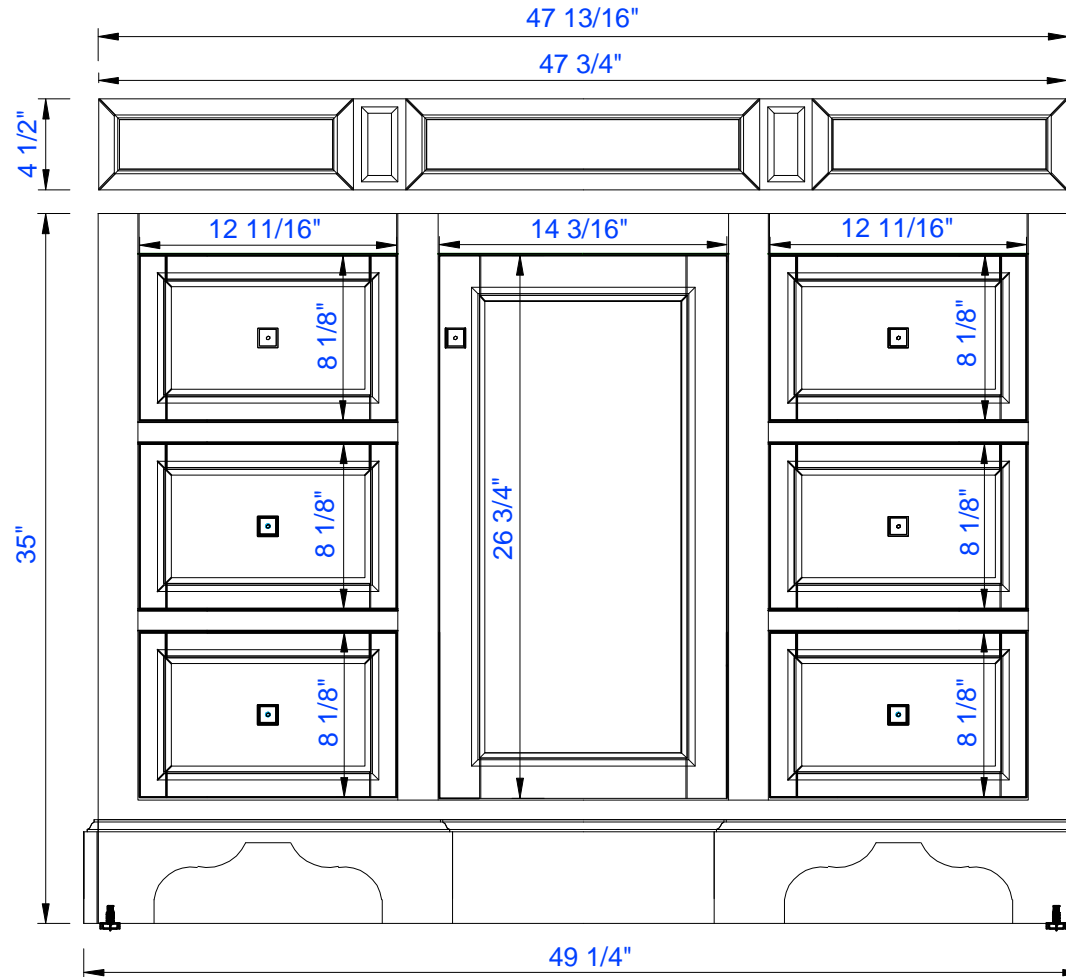
JAMES MARTIN



VANITIES™

De Soto 48" Single Vanity

Diagrams with Dimensions
page 01 of 03



NOTE ONE: Countertops are not shown in these diagrams. (Cabinet Only)

NOTE TWO: Wood Backsplash (Shown) is designed for the molding detail to align with sinks in James Martin's Optional Countertops.

Customer's own countertops and sinks may align differently, and modification may be required.

Please consult our website for Countertop Diagrams: www.jamesmartinvanities.com

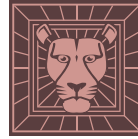
Version: 201906

48"

Item Number:

825-V48-BNM
825-V48-BW
825-V48-SL

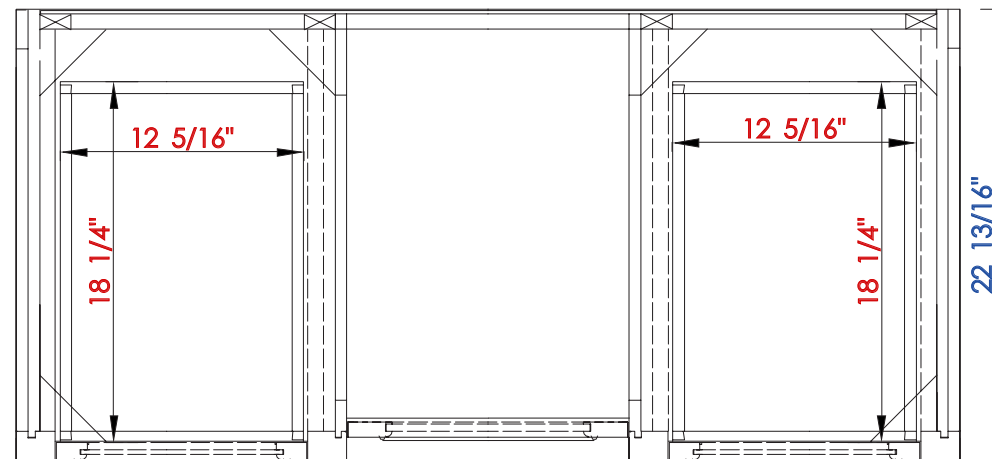
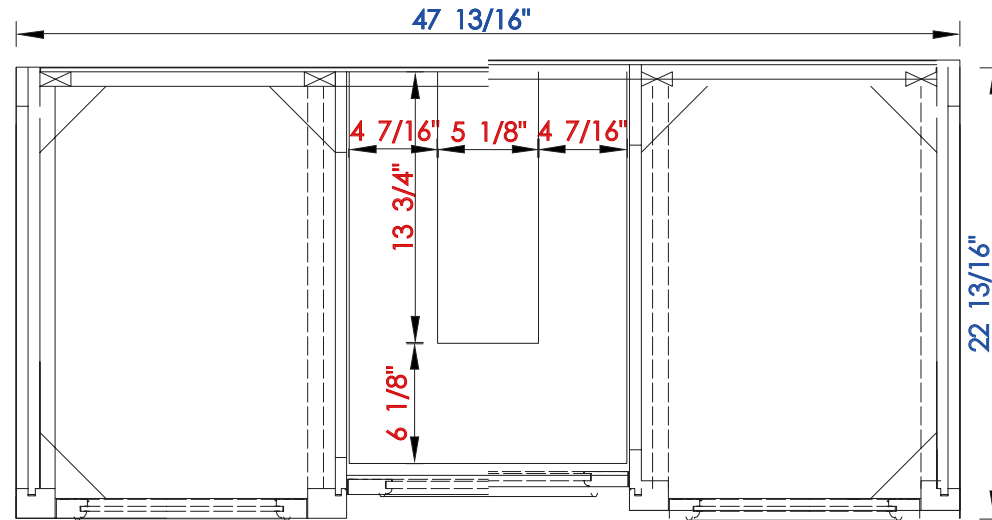
JAMES MARTIN



VANITIES™

De Soto 48" Single Vanity

Diagrams with Dimensions
page 02 of 03



NOTE ONE: Countertops are not shown in these diagrams. (Cabinet Only)

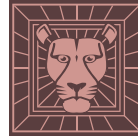
NOTE TWO: Internal Shelves(Shown) are designed to align with sinks in James Martin's Optional Countertops.
Customer's own countertops and sink may align differently, and modification may be required.
Please consult our website for Countertop Diagrams: www.jamesmartinvanities.com

48"

Item Number:

825-V48-BNM
825-V48-BW
825-V48-SL

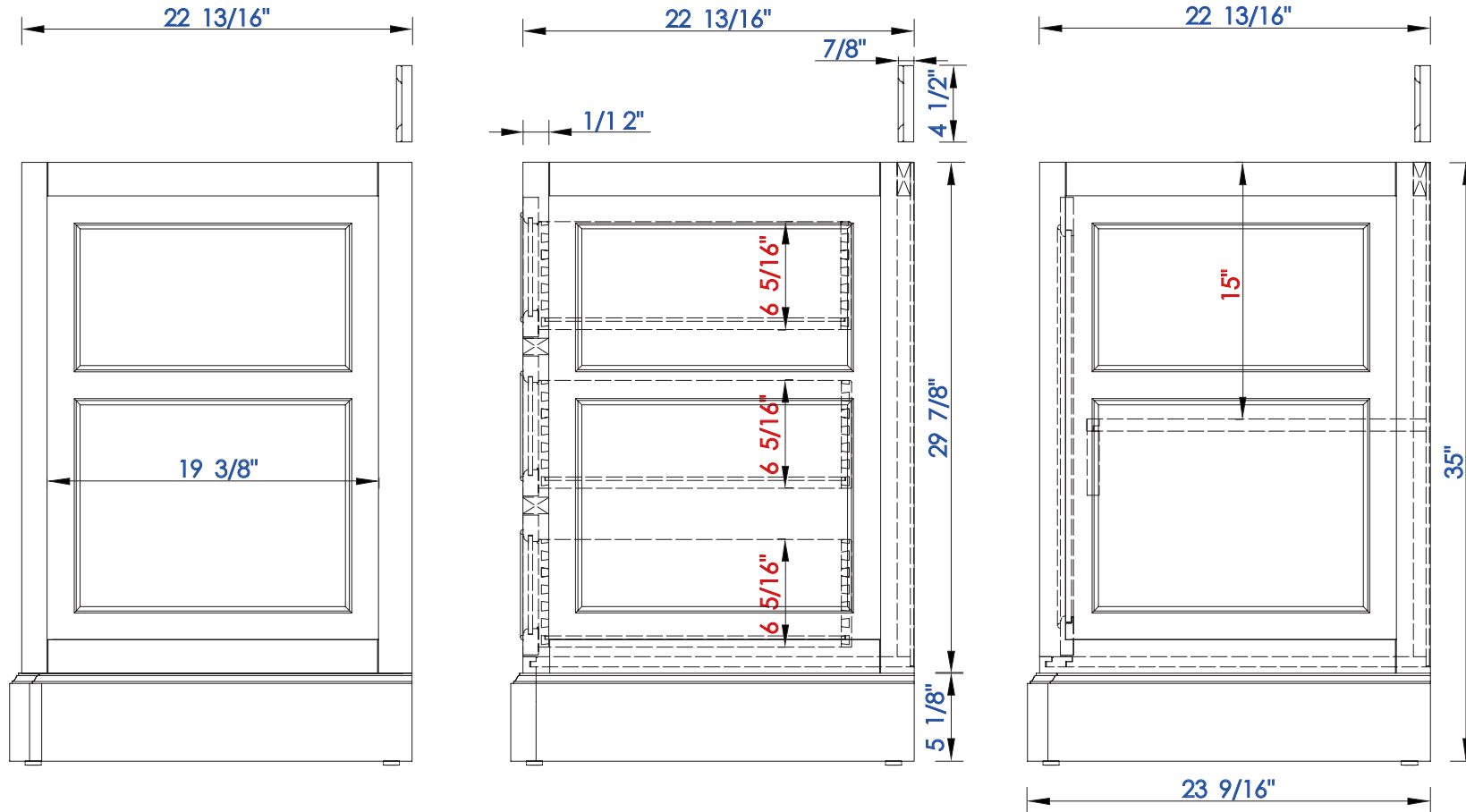
JAMES MARTIN



VANITIES™

De Soto 48" Single Vanity

Diagrams with Dimensions
page 03 of 03



NOTE ONE: Countertops are not shown in these diagrams. (Cabinet Only)

NOTE TWO: Wood Backsplash (Shown) is designed for the molding detail to align with sinks in James Martin's Optional Countertops.

Customer's own countertops and sinks may align differently, and modification may be required.

Please consult our website for Countertop Diagrams: www.jamesmartinvanities.com

Version: 201906

1219 mm

Item Number:
825-V48-BNM
825-V48-BW
825-V48-SL

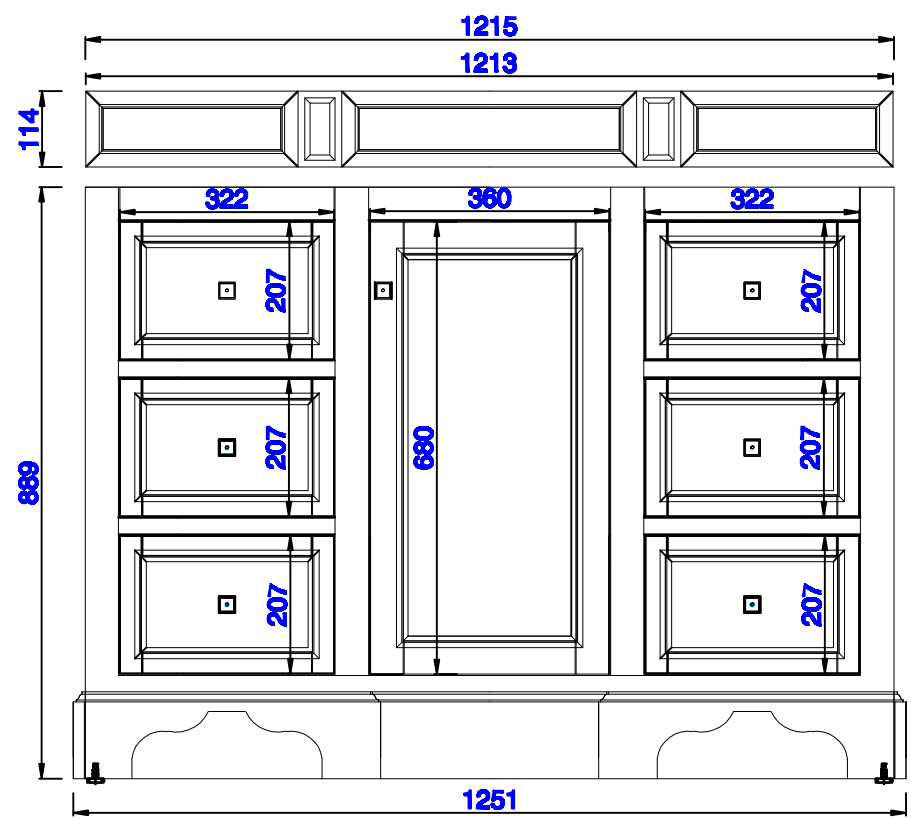
JAMES MARTIN



VANITIES™

De Soto 1219mm Single Vanity

Diagrams with Dimensions
page 01 of 03



NOTE ONE: Countertops are not shown in these diagrams. (Cabinet Only)

NOTE TWO: Wood Backsplash (Shown) is designed for the molding detail to align with sinks in James Martin's Optional Countertops.

Customer's own countertops and sinks may align differently, and modification may be required.

Please consult our website for Countertop Diagrams: www.jamesmartinvanities.com

1219 mm

Item Number:

825-V48-BNM
825-V48-BW
825-V48-SL

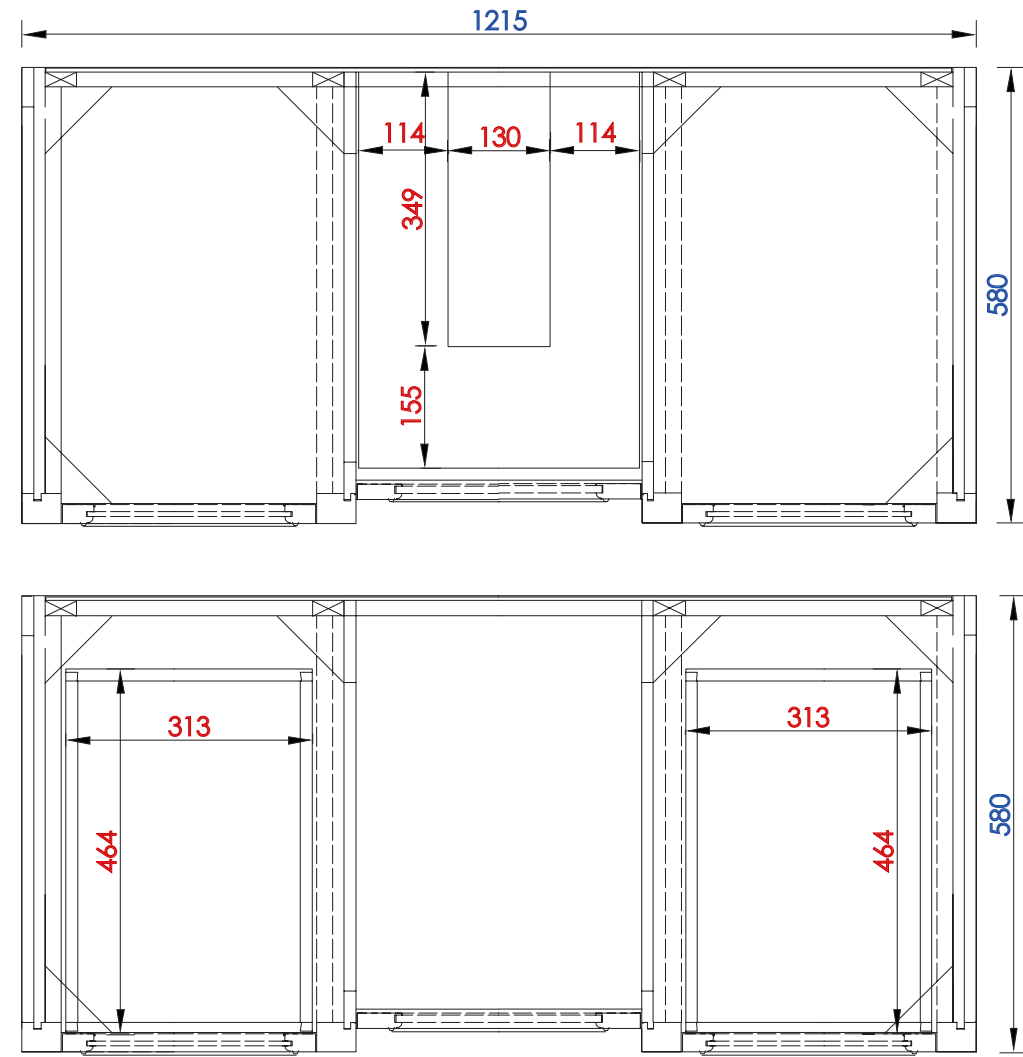
JAMES MARTIN



VANITIES™

De Soto 1219mm Single Vanity

Diagrams with Dimensions
page 02 of 03



NOTE ONE: Countertops are not shown in these diagrams. (Cabinet Only)

NOTE TWO: Internal Shelves(Shown) are designed to align with sinks in James Martin's Optional Countertops.

Customer's own countertops and sink may align differently, and modification may be required.

Please consult our website for Countertop Diagrams: www.jamesmartinvanities.com

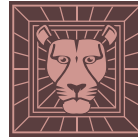
Version: 201906

1219 mm

Item Number:

825-V48-BNM
825-V48-BW
825-V48-SL

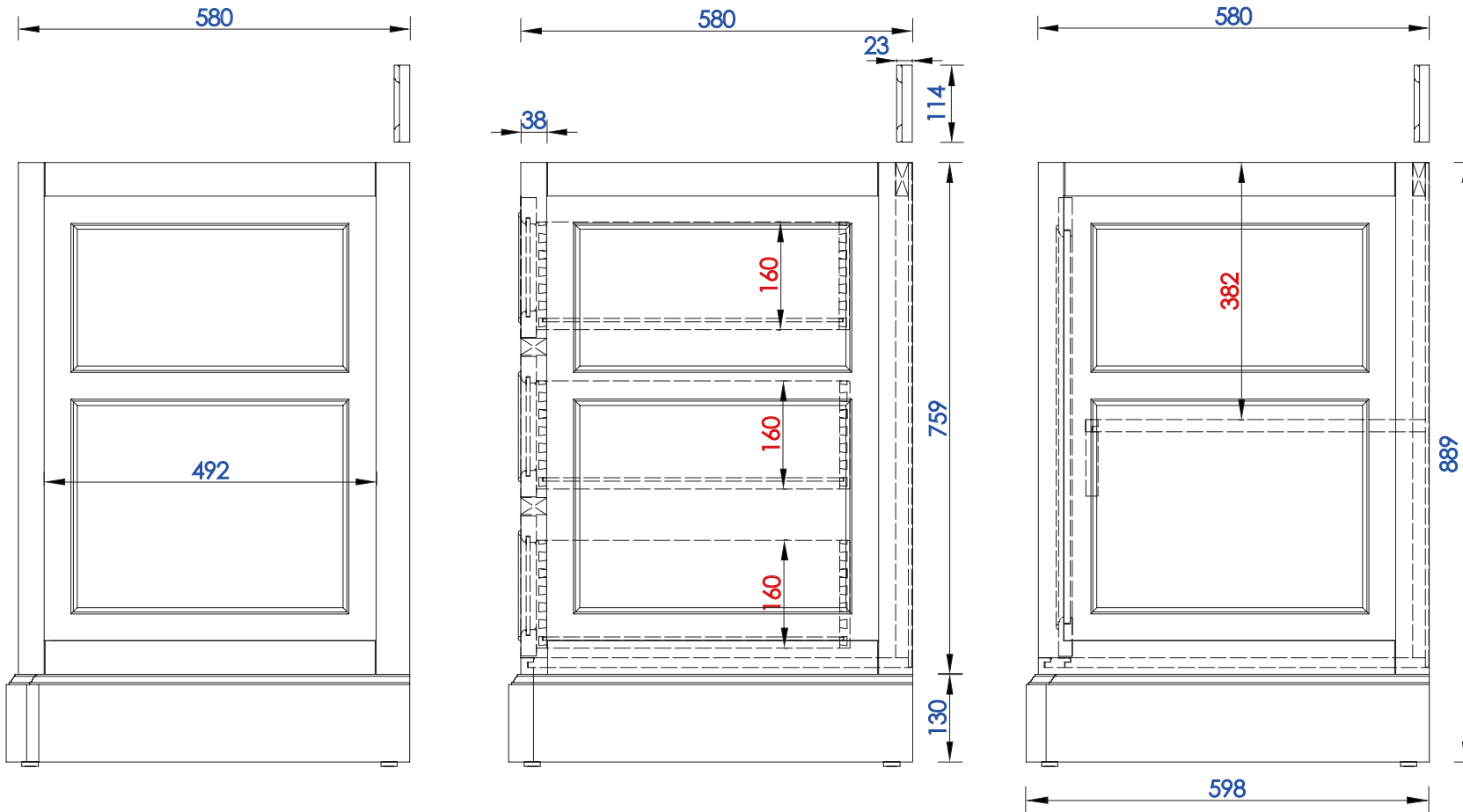
JAMES MARTIN



VANITIES™

De Soto 1219mm Single Vanity

Diagrams with Dimensions
page 03 of 03



NOTE ONE: Countertops are not shown in these diagrams. (Cabinet Only)

NOTE TWO: Wood Backsplash (Shown) is designed for the molding detail to align with sinks in James Martin's Optional Countertops. Customer's own countertops and sinks may align differently, and modification may be required.

Please consult our website for Countertop Diagrams: www.jamesmartinvanities.com

31 3/8"

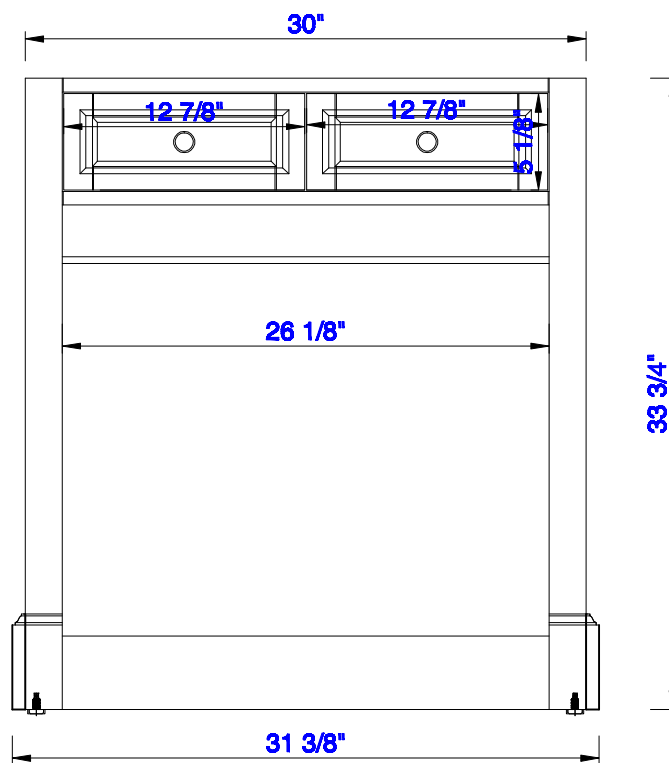
Item Number:
825-CU30-BW

JAMES MARTIN



VANITIES™

De Soto 31 3/8" Counter top Unit
Diagrams with Dimensions
page 01 of 03



NOTE ONE: Countertops are not shown in these diagrams. (Cabinet Only)

NOTE TWO: This vanity does not have a Backsplash.

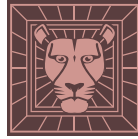
Please consult our website for Countertop Diagrams: www.jamesmartinvanities.com

Version:202004

31 3/8"

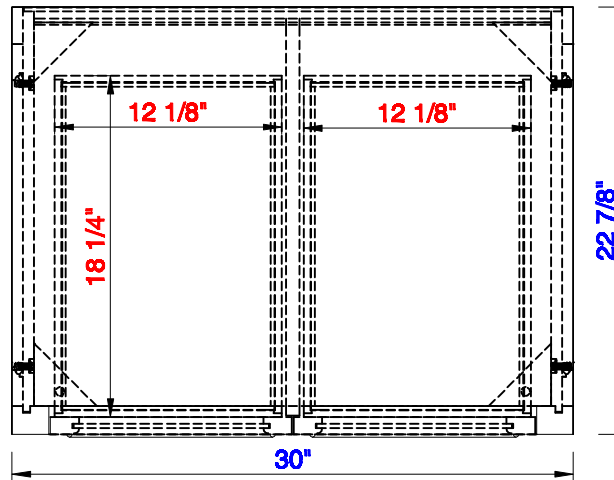
Item Number:
825-CU30-BW

JAMES MARTIN



VANITIES™

De Soto 31 3/8" Counter top Unit
Diagrams with Dimensions
page 02 of 03



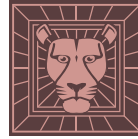
NOTE ONE: Countertops are not shown in these diagrams . (Cabinet Only)
Please consult our website for Countertop Diagrams: www.jamesmartinvanities.com

Version:202004

31 3/8"

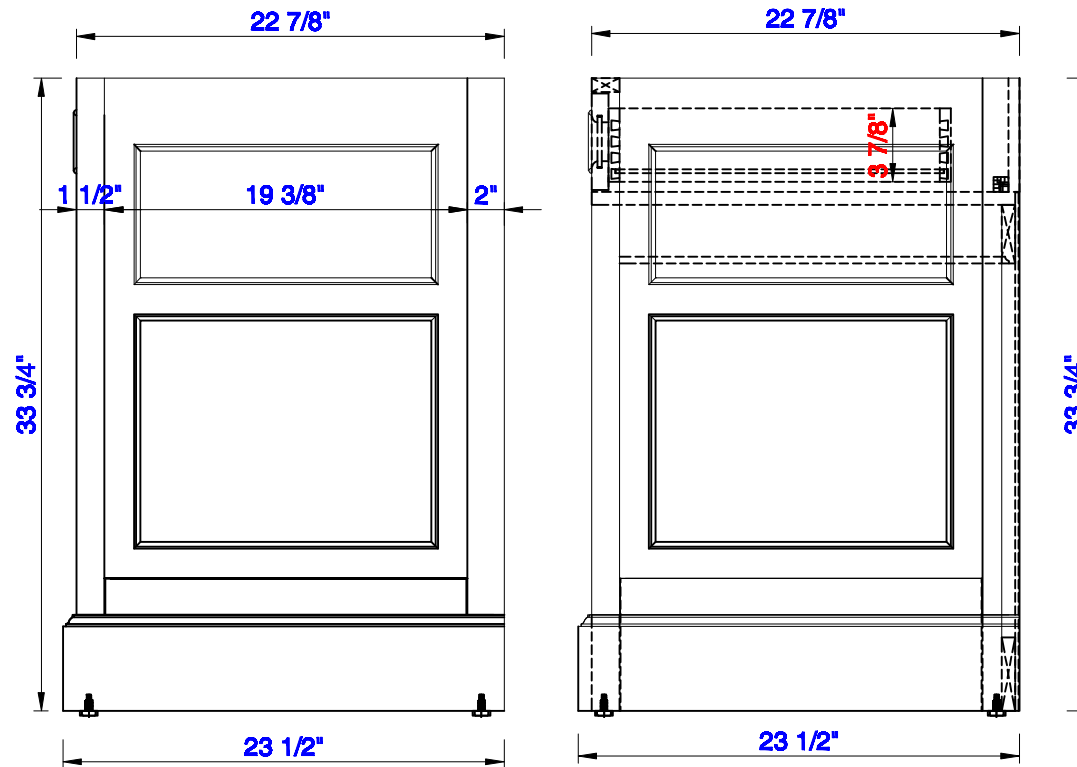
Item Number:
825-CU30-BW

JAMES MARTIN



VANITIES™

De Soto 31 3/8" Counter top Unit
Diagrams with Dimensions
page 03 of 03



NOTE ONE: Countertops are not shown in these diagrams. (Cabinet Only)

NOTE TWO: This vanity does not have a Backsplash.

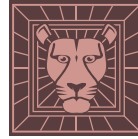
Please consult our website for Countertop Diagrams: www.jamesmartinvanities.com

Version:202004

798mm

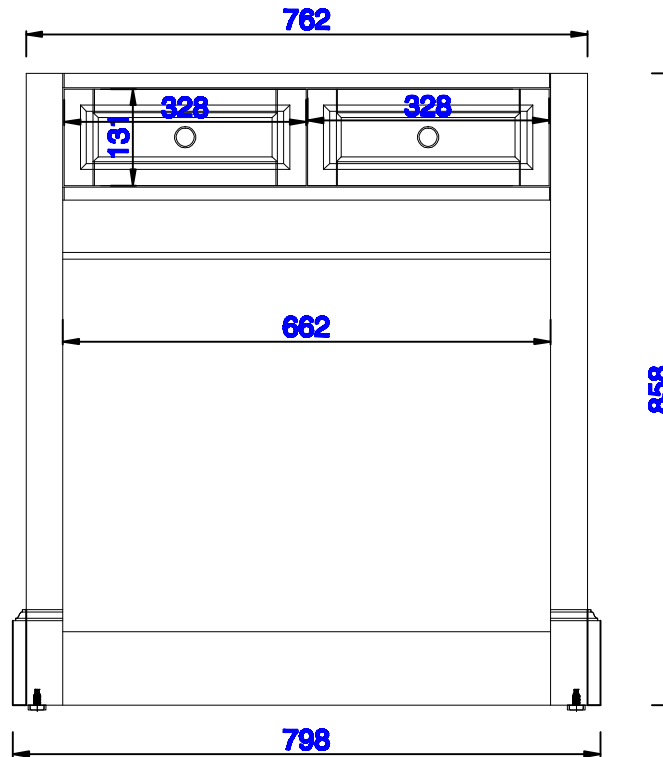
Item Number:
825-CU30-BW

JAMES MARTIN



VANITIES™

De Soto 798mm Counter top Unit
Diagrams with Dimensions
page 01 of 03



NOTE ONE: Countertops are not shown in these diagrams. (Cabinet Only)

NOTE TWO: This vanity does not have a Backsplash.

Please consult our website for Countertop Diagrams: www.jamesmartinvanities.com

Version:202004

798mm

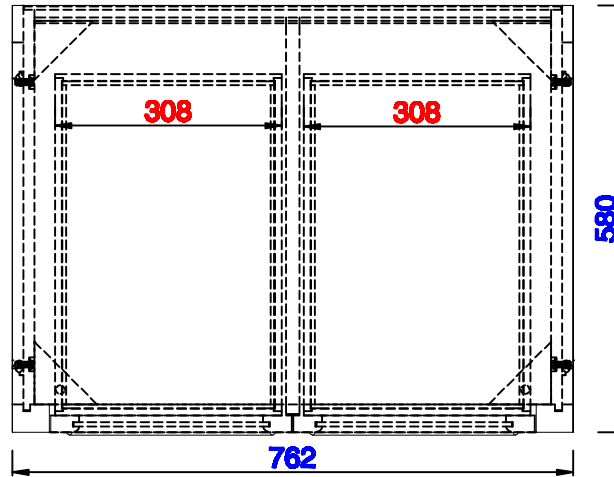
Item Number:
825-CU30-BW

JAMES MARTIN



VANITIES™

De Soto 798mm Counter top Unit
Diagrams with Dimensions
page 02 of 03



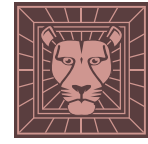
NOTE ONE: Countertops are not shown in these diagrams . (Cabinet Only)
Please consult our website for Countertop Diagrams: www.jamesmartinvanities.com

Version:202004

798mm

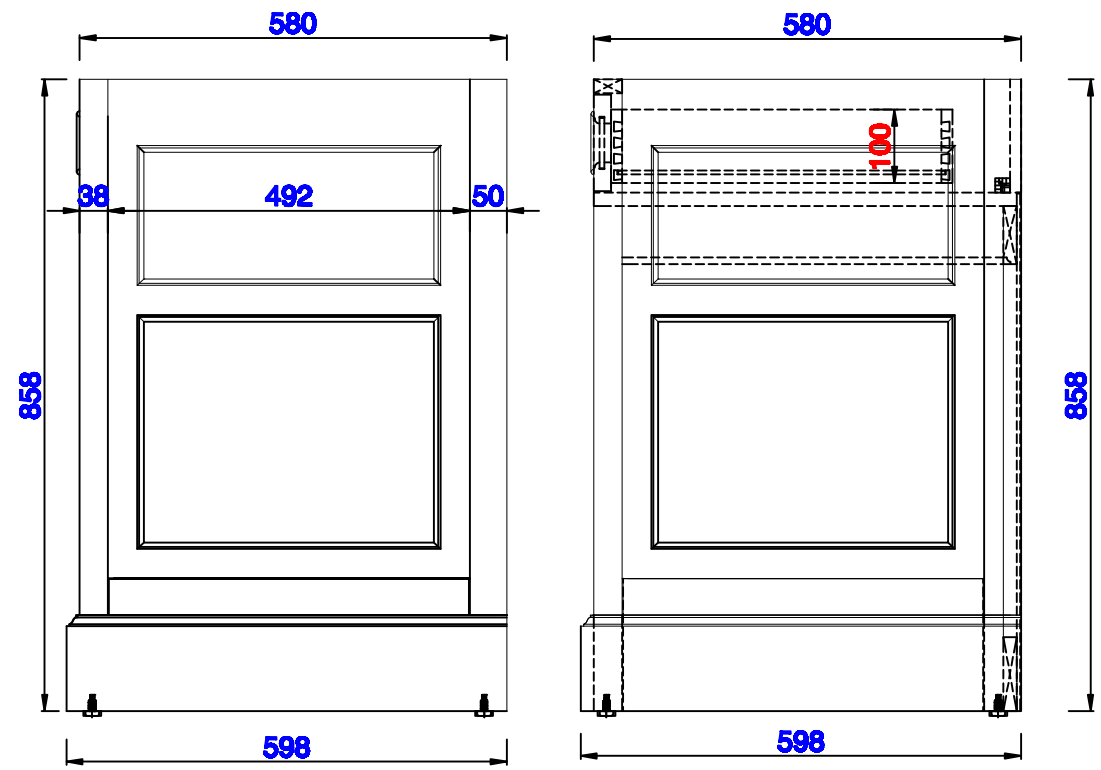
Item Number:
825-CU30-BW

JAMES MARTIN



VANITIES™

De Soto 798mm Counter top Unit
Diagrams with Dimensions
page 03 of 03



NOTE ONE: Countertops are not shown in these diagrams . (Cabinet Only)

NOTE TWO: This vanity does not have a Backsplash.

Please consult our website for Countertop Diagrams: www.jamesmartinvanities.com

Version:202004

31 1/4"

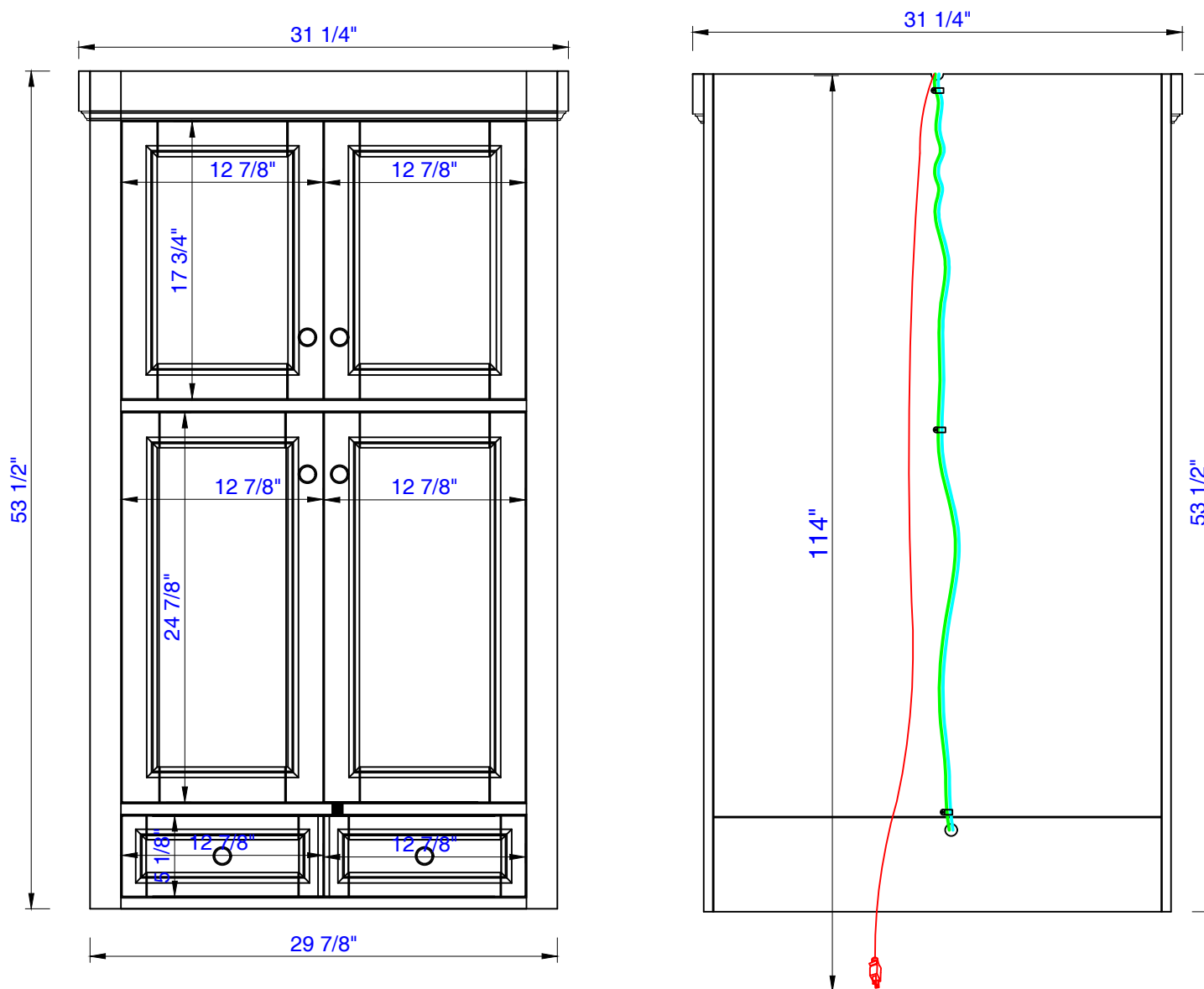
Item Number:
825-H30-BW

JAMES MARTIN



VANITIES™

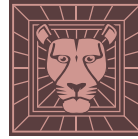
De Soto 31 1/4" Tower Hutch
Diagrams with Dimensions
page 01 of 03



31 1/4"

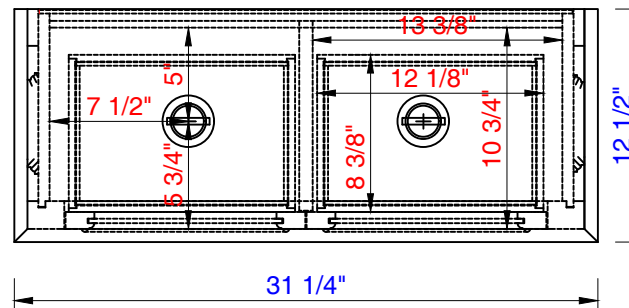
Item Number:
825-H30-BW

JAMES MARTIN



VANITIES™

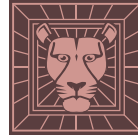
De Soto 31 1/4" Tower Hutch
Diagrams with Dimensions
page 02 of 03



31 1/4"

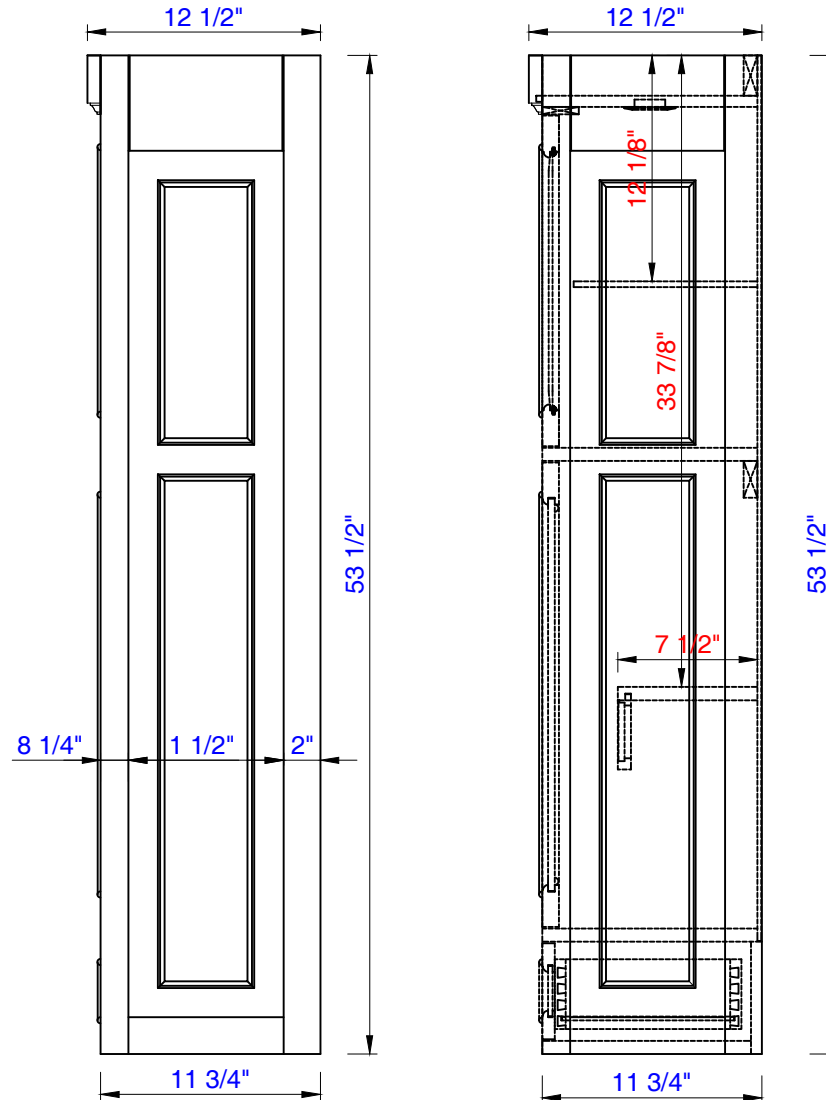
Item Number:
825-H30-BW

JAMES MARTIN



VANITIES™

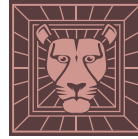
De Soto 31 1/4" Tower Hutch
Diagrams with Dimensions
page 03 of 03



794mm

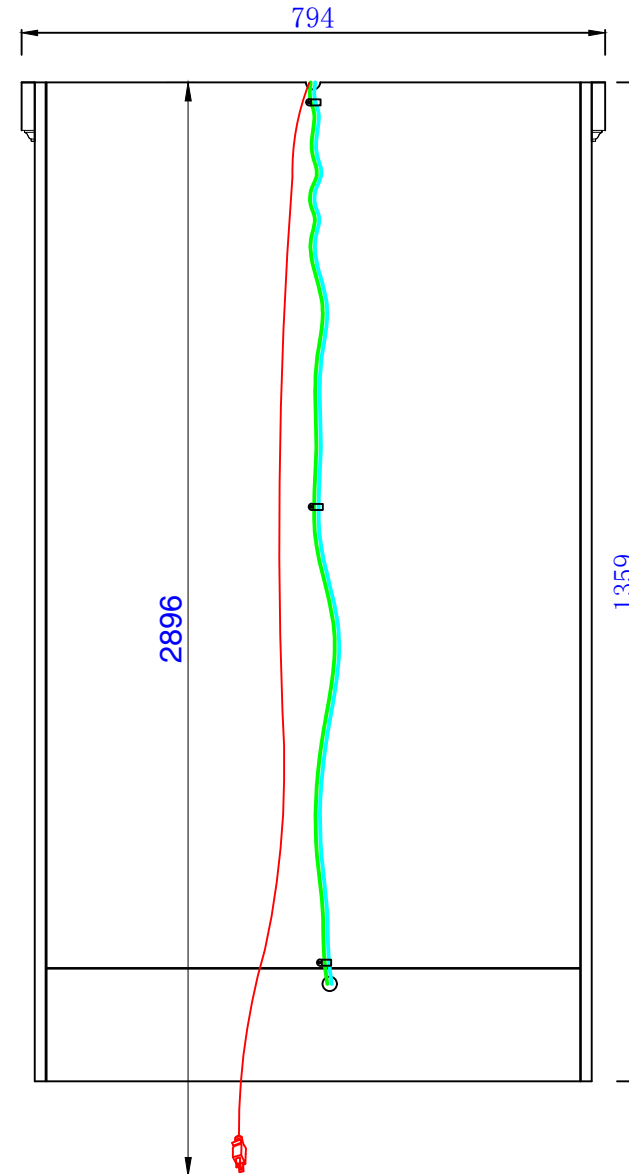
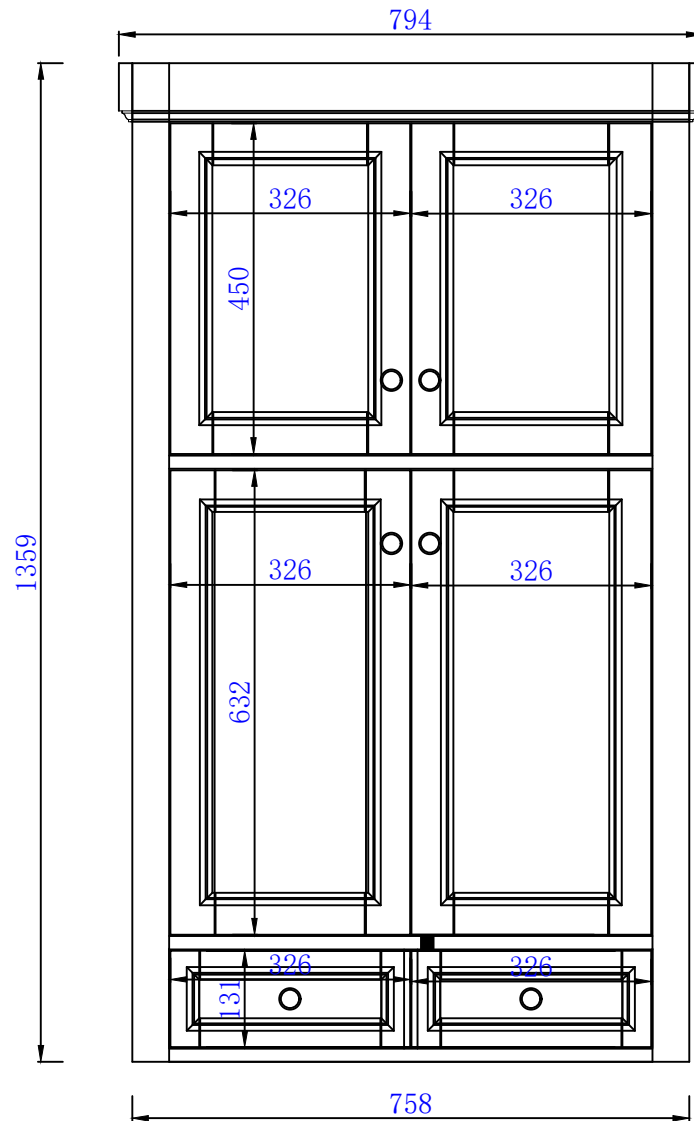
Item Number:
825-H30-BW

JAMES MARTIN



VANITIES™

De Soto 794mm Tower Hutch
Diagrams with Dimensions
page 01 of 03

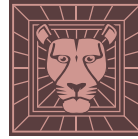


Version:202106

794mm

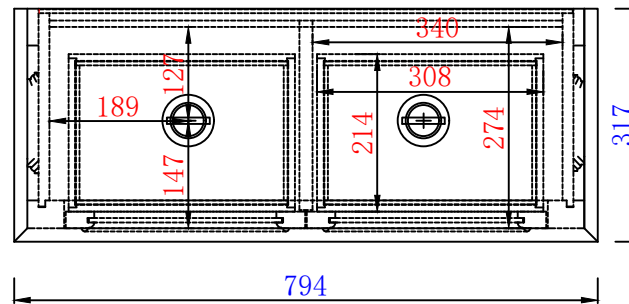
Item Number:
825-H30-BW

JAMES MARTIN



VANITIES™

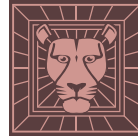
De Soto 794mm Tower Hutch
Diagrams with Dimensions
page 02 of 03



794mm

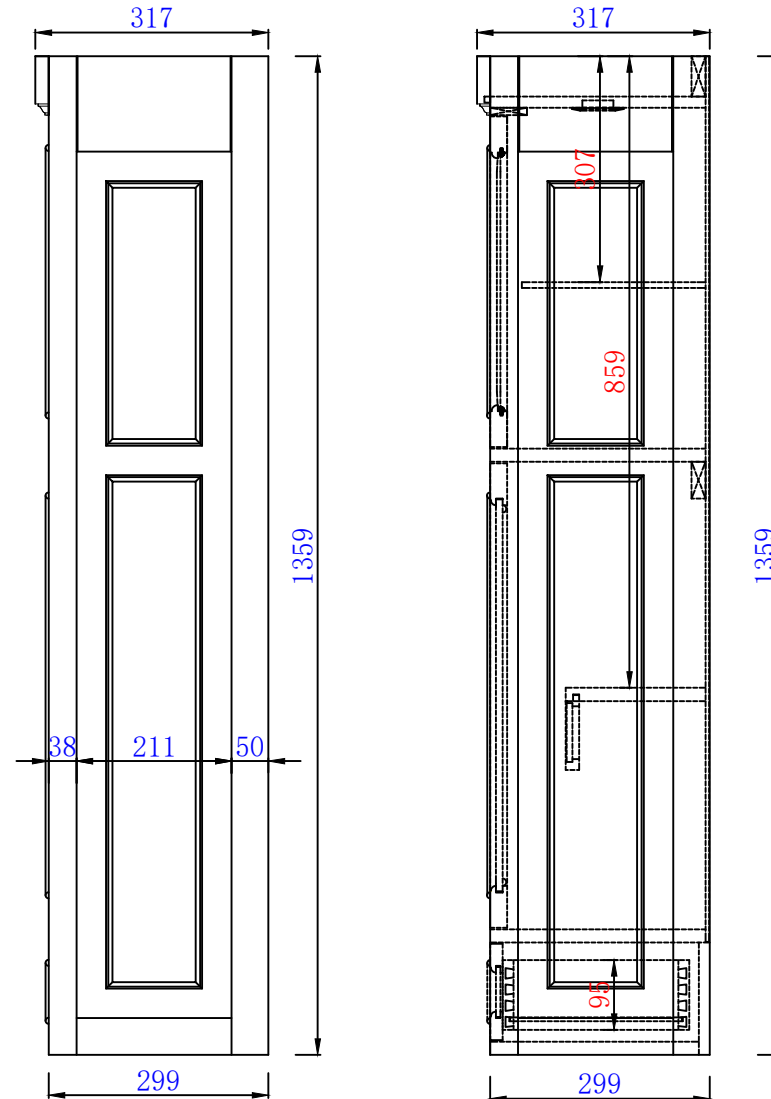
Item Number:
825-H30-BW

JAMES MARTIN



VANITIES™

De Soto 794mm Tower Hutch
Diagrams with Dimensions
page 03 of 03



24 1/2"

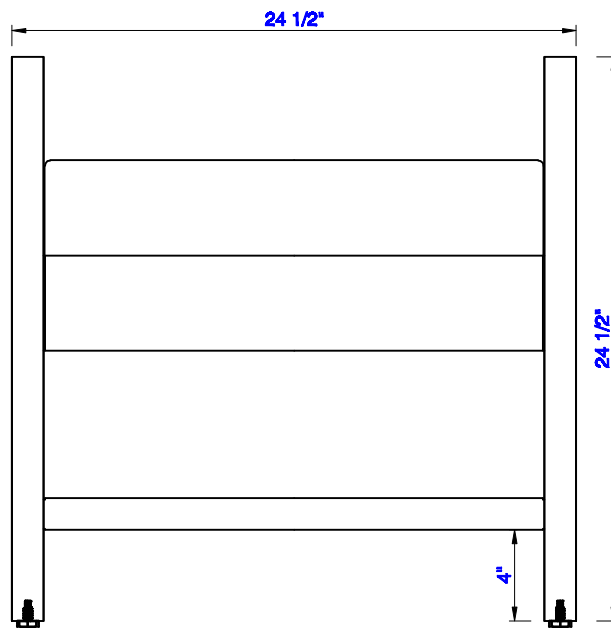
Item Number:
E444-BNCH-MCA

JAMES MARTIN



VANITIES™

Addison 24 1/2" Upholstered Bench
Diagrams with Dimensions
page 01 of 03



24 1/2"

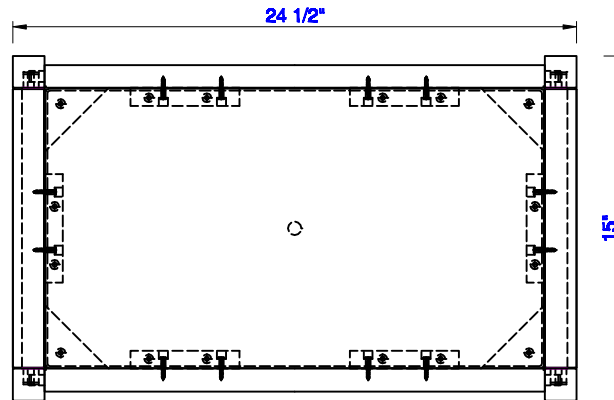
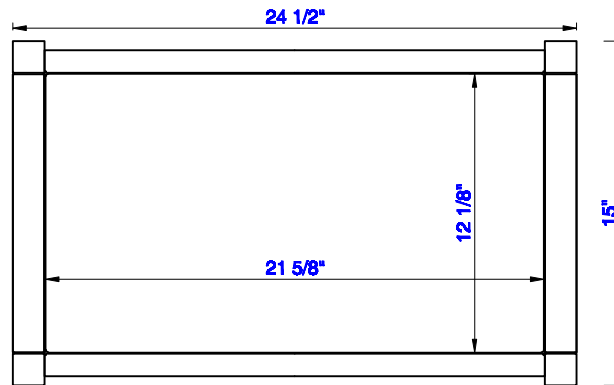
Item Number:
E444-BNCH-MCA

JAMES MARTIN



VANITIES™

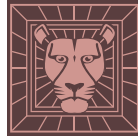
Addison 24 1/2" Upholstered Bench
Diagrams with Dimensions
page 02 of 03



24 1/2"

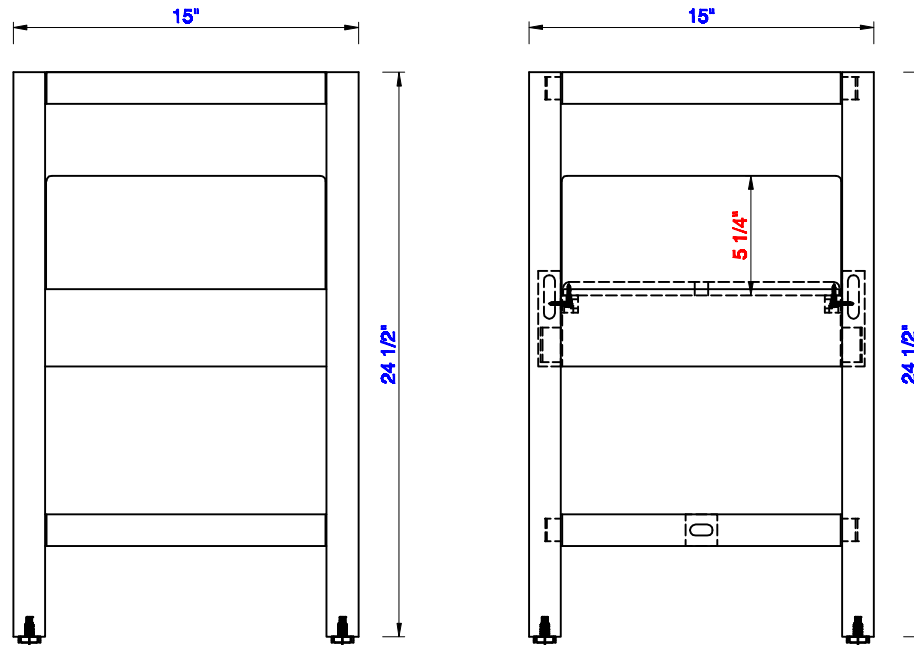
Item Number:
E444-BNCH-MCA

JAMES MARTIN



VANITIES™

Addison 24 1/2" Upholstered Bench
Diagrams with Dimensions
page 03 of 03



622mm

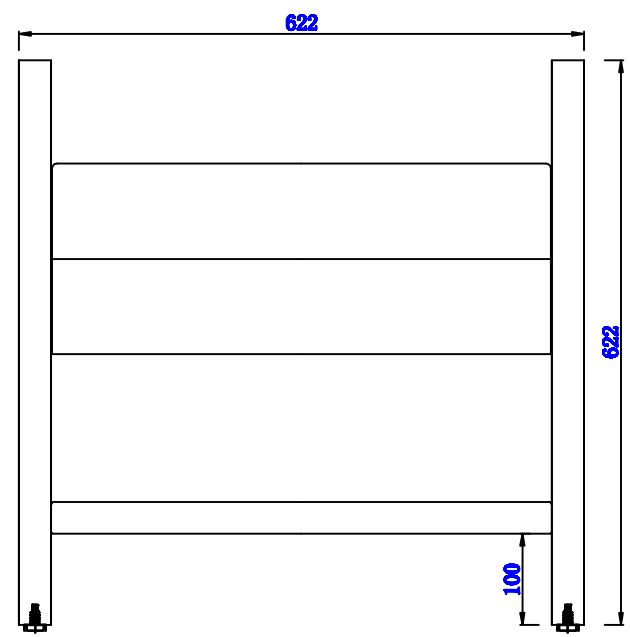
Item Number:
E444-BNCH-MCA

JAMES MARTIN



VANITIES™

Addison 622mm Upholstered Bench
Diagrams with Dimensions
page 01 of 03



622mm

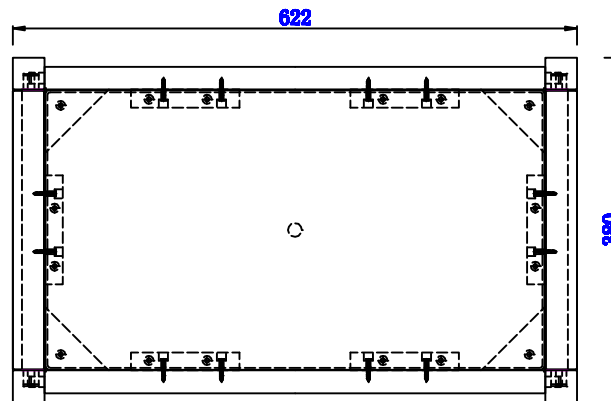
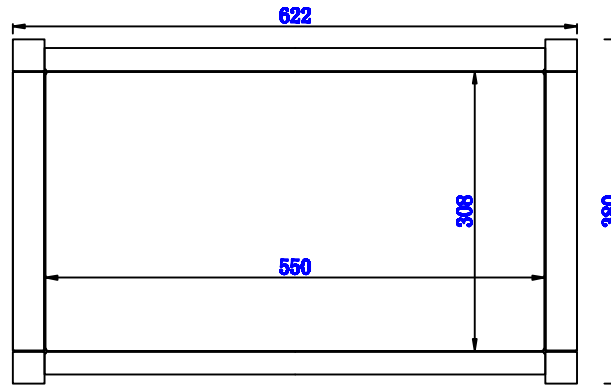
Item Number:
E444-BNCH-MCA

JAMES MARTIN



VANITIES™

Addison 622mm Upholstered Bench
Diagrams with Dimensions
page 02 of 03



622mm

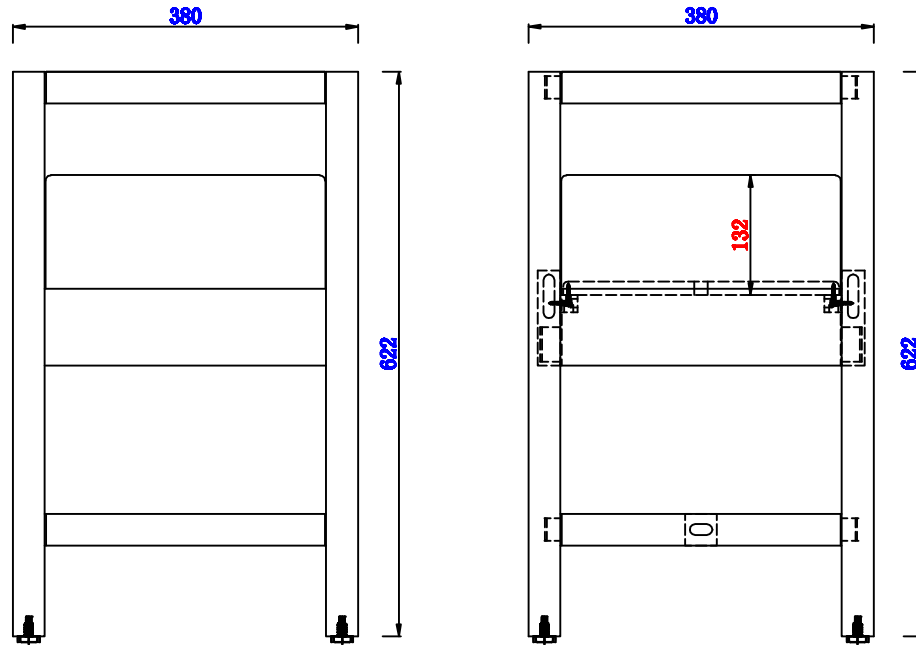
Item Number:
E444-BNCH-MCA

JAMES MARTIN



VANITIES™

Addison 622mm Upholstered Bench
Diagrams with Dimensions
page 03 of 03



44"

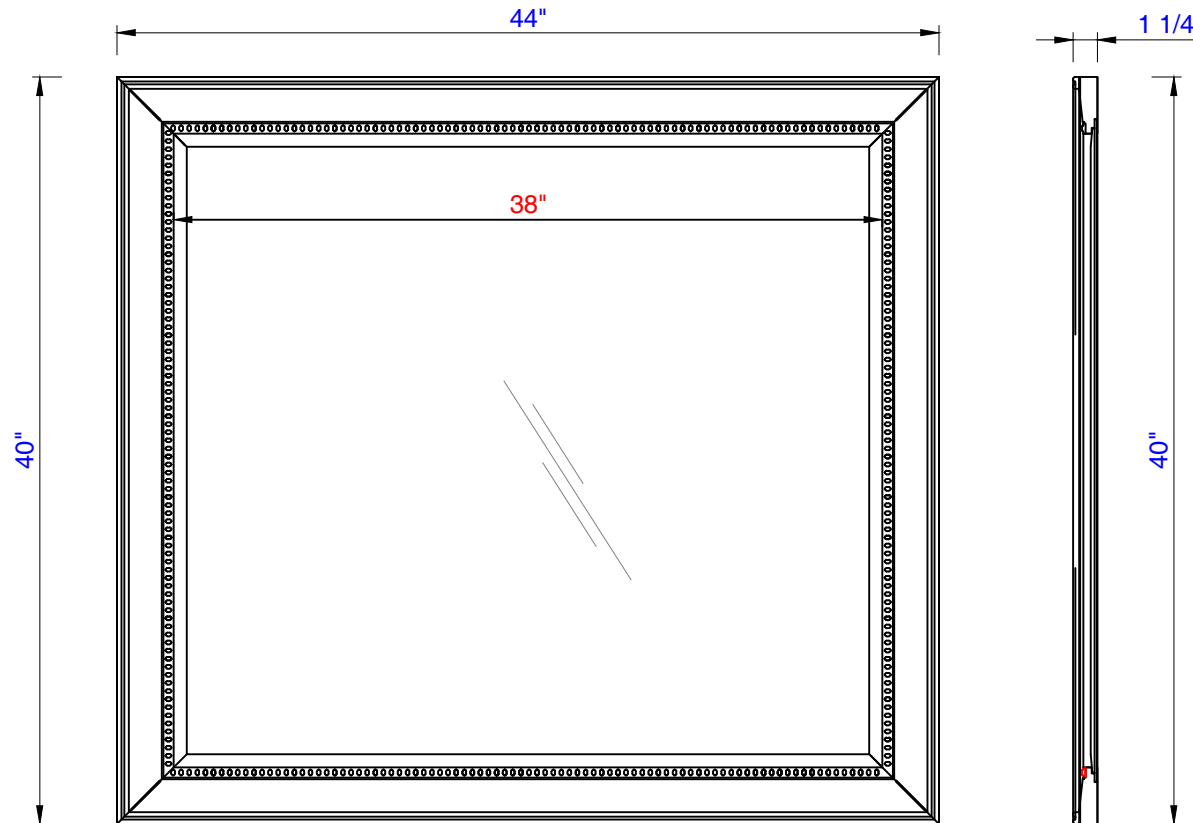
Item Number:
157-M44-BNM
157-M44-BW
157-M44-GW
157-M44-SBR
157-M44-SGR
157-M44-SL
157-M44-VV
157-M44-WW

JAMES MARTIN



VANITIES™

Bristol 29" Mirror
Diagrams with Dimensions
page 01 of 01



1118mm

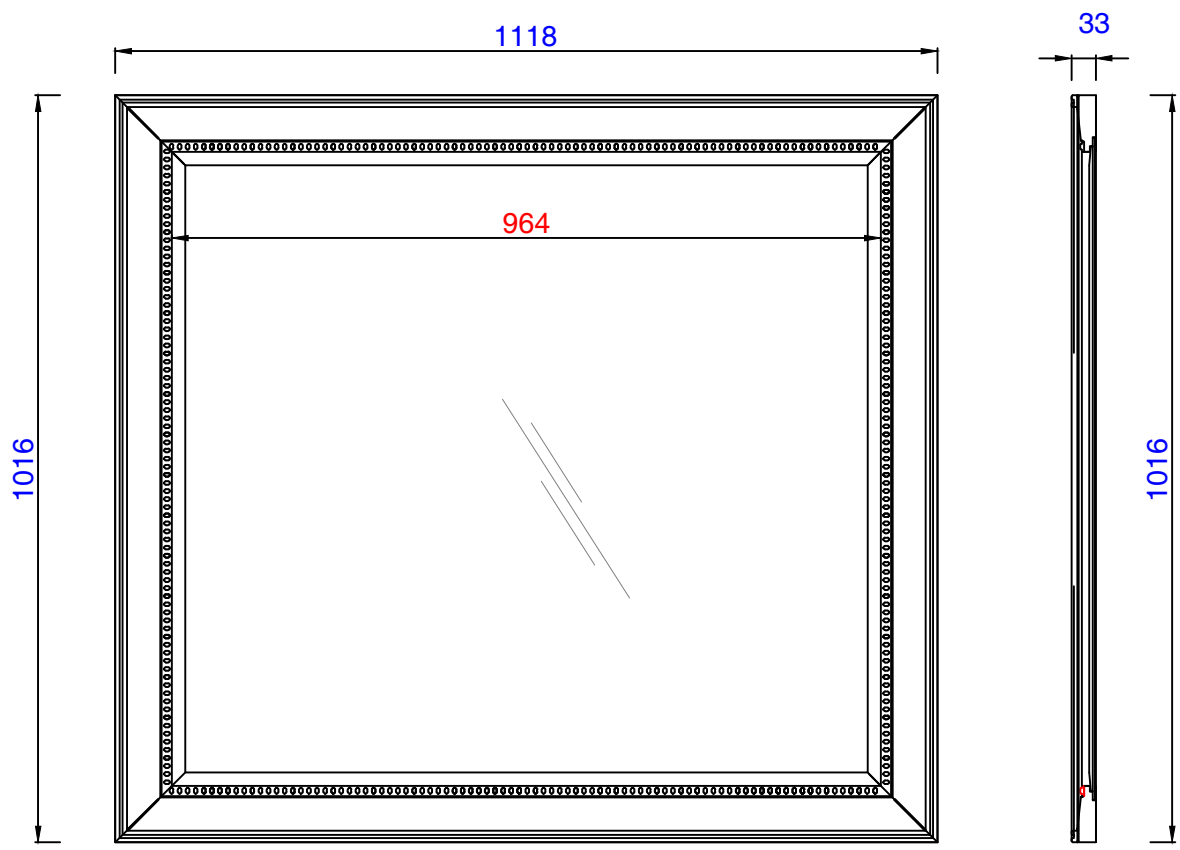
Item Number:
157-M44-BNM
157-M44-BW
157-M44-GW
157-M44-SBR
157-M44-SGR
157-M44-SL
157-M44-VV
157-M44-WW

JAMES MARTIN



VANITIES™

Bristol 1118mm Mirror
Diagrams with Dimensions
page 01 of 01

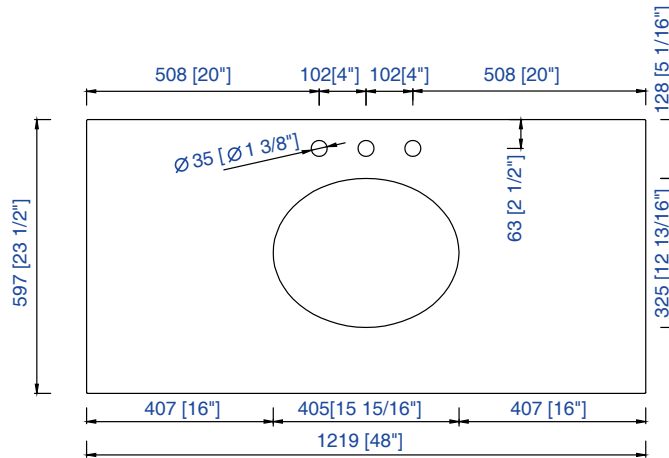




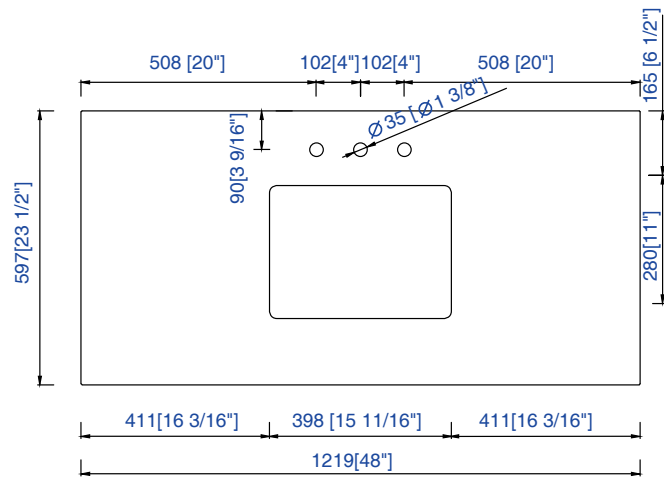
48" Vanity Top Spec Sheet

James Martin Vanities Company always recommends you consult and/or hire a professional contractor when installing your vanity cabinet and top.

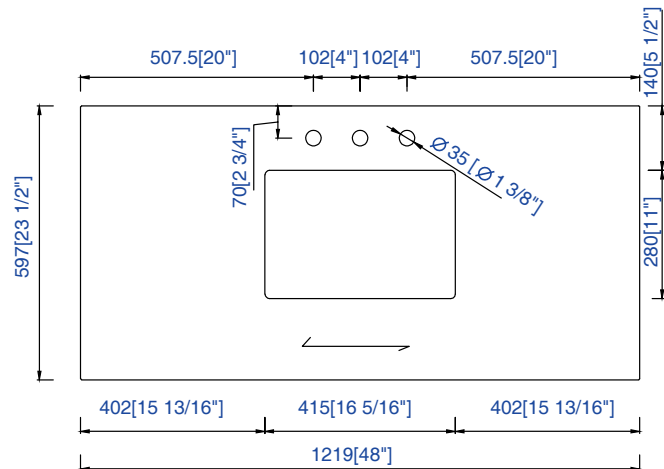
3cm/1.18"
Countertop



James Martin - Natural Stone Countertop Measurement Specification



James Martin - Natural Stone & Solid Surface Countertop Measurement Specification



James Martin - Quartz Countertop Measurement Specification

30"

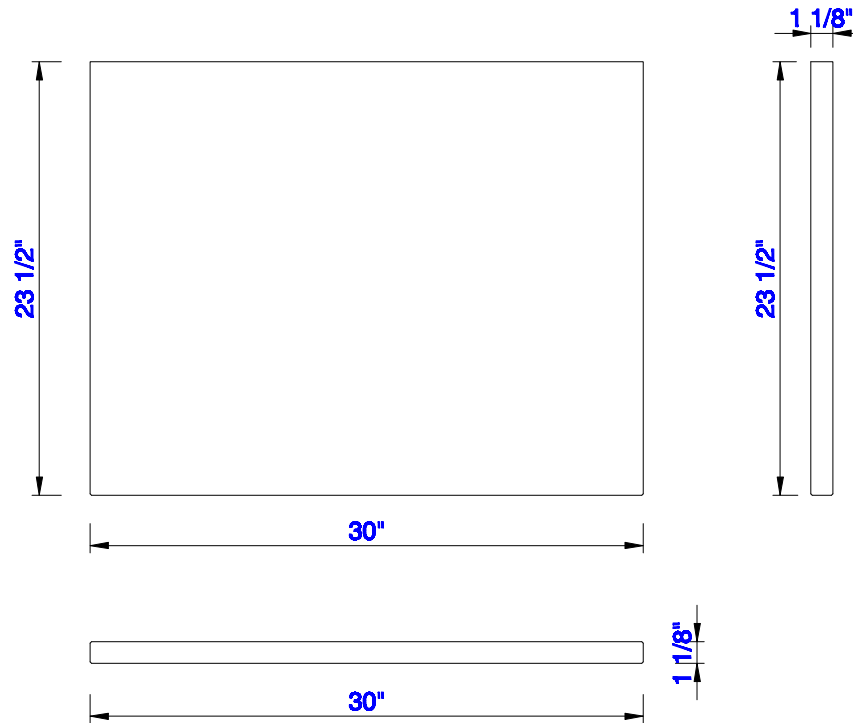
Item Number:
050-T30-CLW
050-T30-CSP
050-T30-EJP
050-T30-GEX
080-T30-AF
090-T30-CAR

JAMES MARTIN



VANITIES™

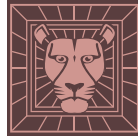
30" Top for Makeup Counter
Diagrams with Dimensions
page 01 of 01



762mm

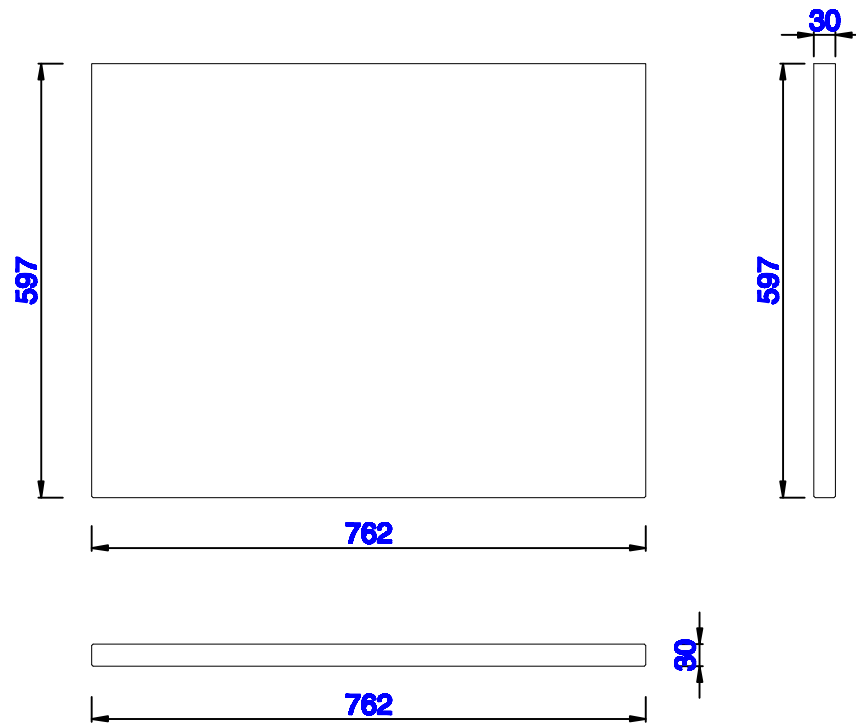
Item Number:
050-T30-CLW
050-T30-CSP
050-T30-EJP
050-T30-GEX
080-T30-AF
090-T30-CAR

JAMES MARTIN



VANITIES™

762mm Top for Makeup Counter
Diagrams with Dimensions
page 01 of 01

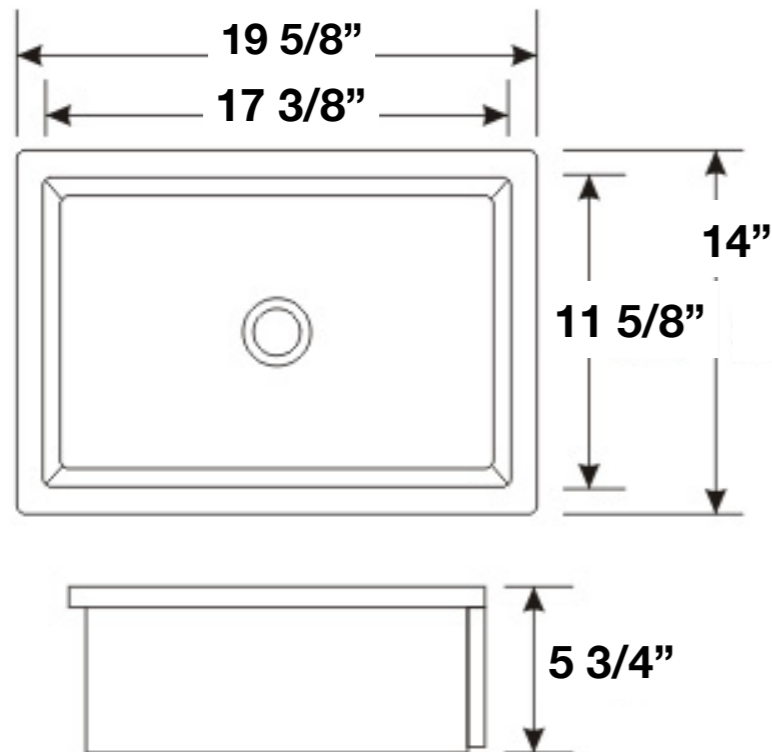




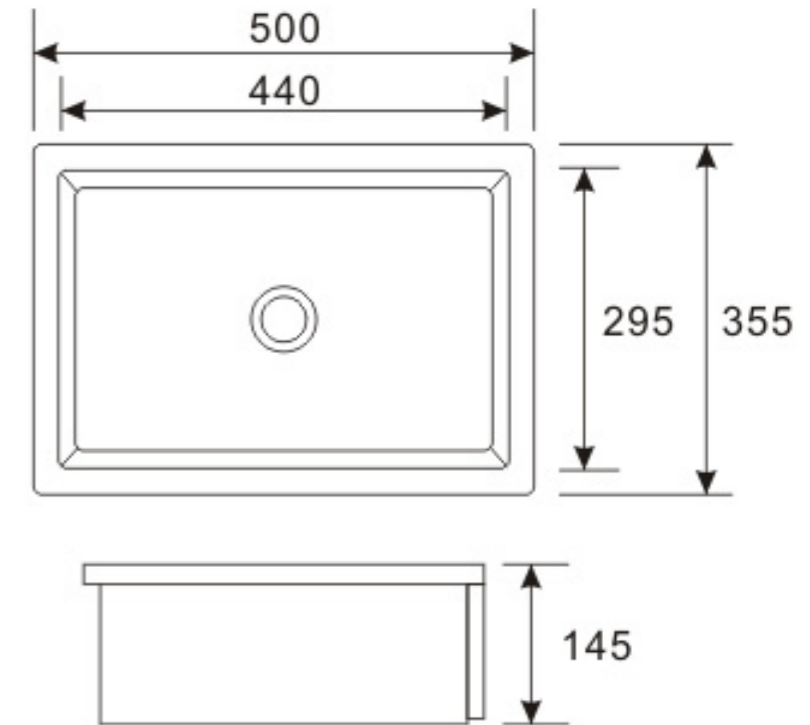
James Martin Vanities - Nova Rectangular Undermount Sink (Basin) **SNK-RCT-WHT**

Used with 3cm thickness premium rectangular countertops:
Silestone Quartz

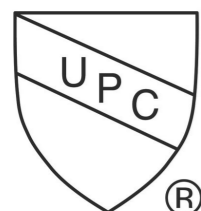
Imperial Measurements



Metric Measurements

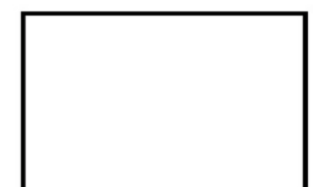


OD Size: 500 x 355 x 145 mm
 19 5/8" x 14" x 5 6/8"
 ID Size: 440 x 295 mm
 17 3/8" x 11 5/8"



Complies with:
 ASME A112.19.2-2013
 CSA B45.1-13

white



2018 Rv.