

23 5/8"

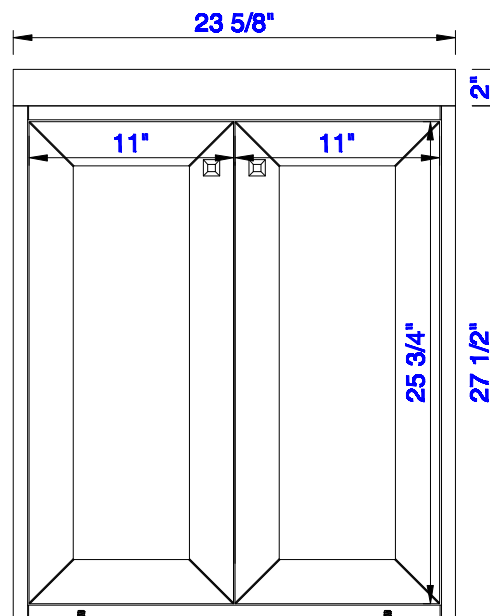
Item Number:  
E303-V24-GW  
E303-V24-MG  
E303-V24-WW

JAMES MARTIN



VANITIES™

Chianti 23 5/8" Cabinet  
Diagrams with Dimensions  
page 01 of 03



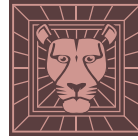
**NOTE ONE:** Countertop with integrated sink is shown on this cabinet  
**NOTE TWO:** This vanity does not have a Backsplash.

Version:202004

23 5/8"

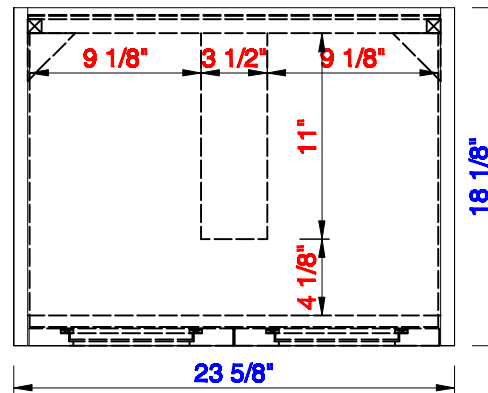
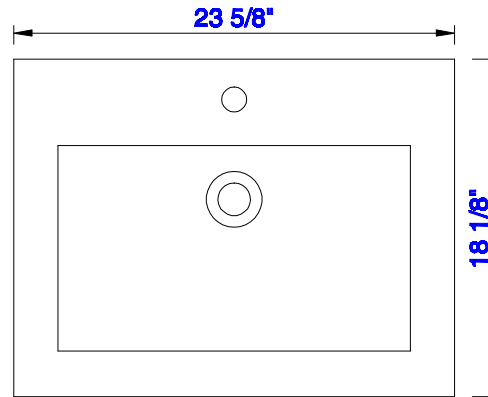
Item Number:  
E303-V24-GW  
E303-V24-MG  
E303-V24-WW

JAMES MARTIN



VANITIES™

Chianti 23 5/8" Cabinet  
Diagrams with Dimensions  
page 02 of 03



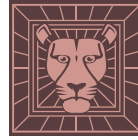
**NOTE ONE: Countertop with integrated sink is shown on this cabinet.**

Version:202004

23 5/8"

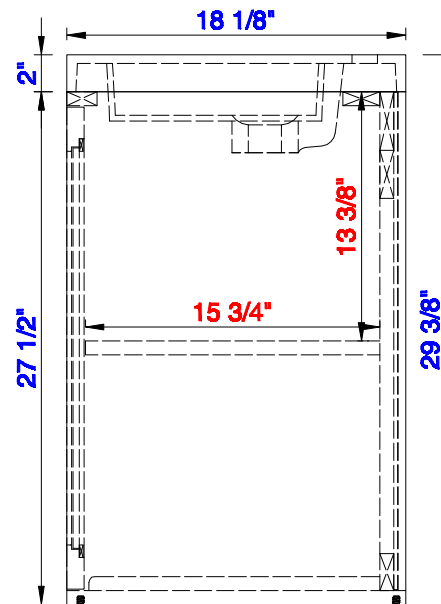
Item Number:  
E303-V24-GW  
E303-V24-MG  
E303-V24-WW

JAMES MARTIN



VANITIES™

Chianti 23 5/8" Cabinet  
Diagrams with Dimensions  
page 03 of 03



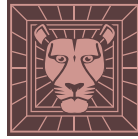
**NOTE ONE:** Countertop with integrated sink is shown on this cabinet  
**NOTE TWO:** This vanity does not have a Backsplash.

Version:202004

600mm

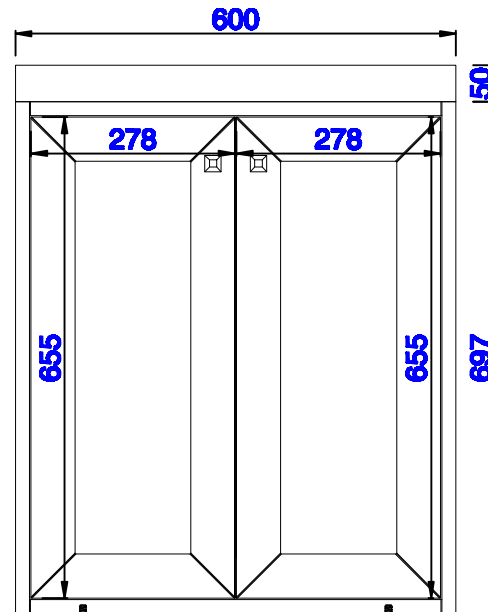
Item Number:  
E303-V24-GW  
E303-V24-MG  
E303-V24-WW

JAMES MARTIN



VANITIES™

Chianti 600mm Cabinet  
Diagrams with Dimensions  
page 01 of 03



**NOTE ONE:** Countertop with integrated sink is shown on this cabinet

**NOTE TWO:** This vanity does not have a Backsplash.

Version:202004

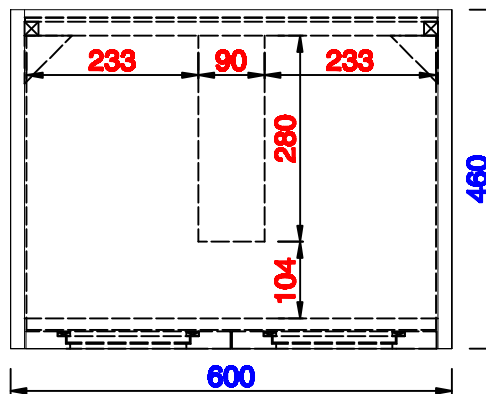
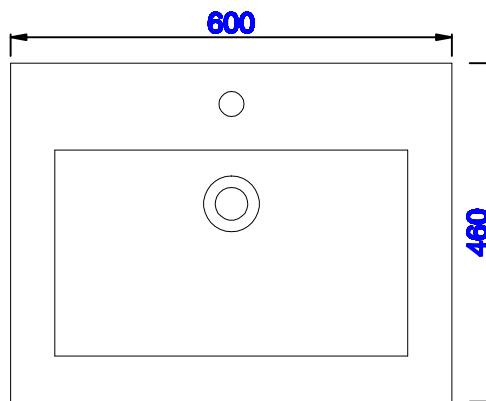
Item Number:  
E303-V24-GW  
E303-V24-MG  
E303-V24-WW

JAMES MARTIN



VANITIES™

Chianti 600mm Cabinet  
Diagrams with Dimensions  
page 02 of 03



**NOTE ONE: Countertop with integrated sink is shown on this cabinet.**

600mm

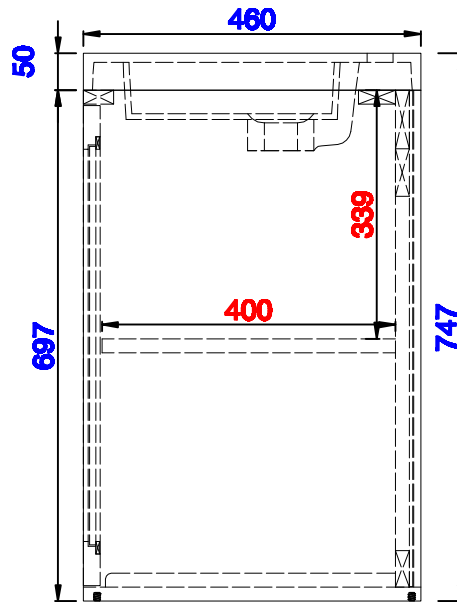
Item Number:  
E303-V24-GW  
E303-V24-MG  
E303-V24-WW

JAMES MARTIN



VANITIES™

**Chianti 600mm Cabinet**  
Diagrams with Dimensions  
page 03 of 03



**NOTE ONE: Countertop with integrated sink is shown on this cabinet**  
**NOTE TWO: This vanity does not have a Backsplash.**

Version:202004