

Chianti Vanity Cabinets: E110-V39.5-MCA E110-V39.5-GW E110-V39.5-GSM

Assembly / Installation Instructions for both wall mounting (floating) and freestanding with metal base

Chianti Metal Bases: E110-V39.5-BNK E110-V39.5-MBK E110-V39.5-RGD

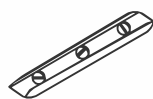
Important Notes:

This vanity cabinet may be used freestanding, or may be mounted to a wall (floating).

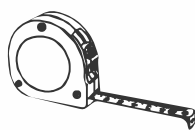
If you are using this cabinet as a freestanding unit with the stainless steel base, please follow the instructions on pages 07 - 13 *.

If you are using this cabinet as a wall mounted (floating) unit, please refer to pages 01 - 07 *.

Materials for Installation:



Level

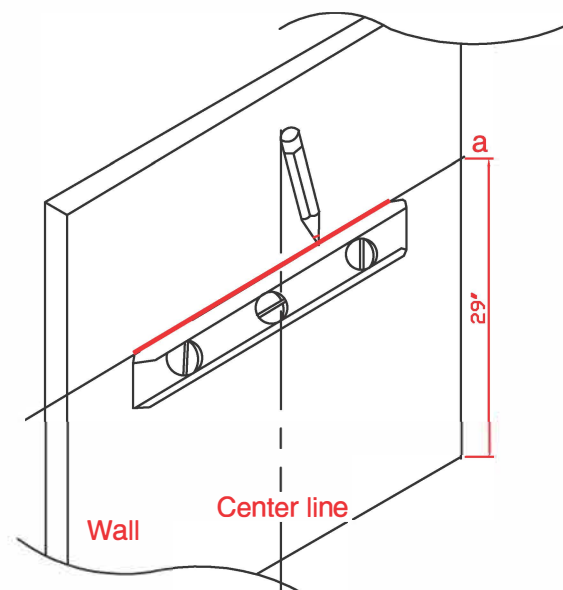
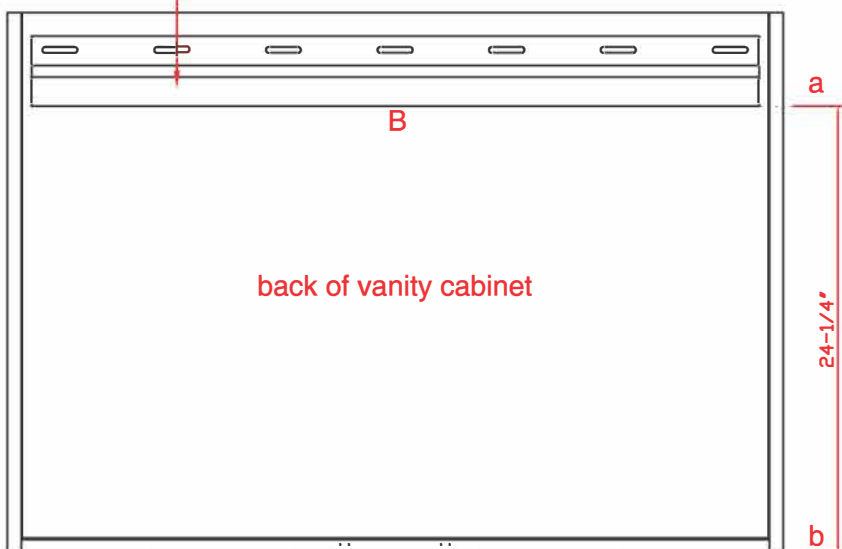


Tape Measuring



Pencil

B pre-attached metal mounting (French Cleat) brackets



Step 1 Notes:

The metal mounting bracket has been pre-installed to the backside of the cabinet 24 1/4" from the bottom of the cabinet, remove one piece from the back of the cabinet.

Step 2 Notes:

Draw a horizontal line on the wall at your desired height. For this cabinet, most people use a height of 29"

* For your safety and to achieve the best possible installation of this vanity cabinet, James Martin Vanities always recommends you consult with a professional contractor. Two people are required for the assembly and installation of this vanity cabinet.



Chianti Vanity Cabinets: E110-V39.5-MCA E110-V39.5-GW E110-V39.5-GSM

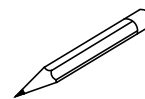
Assembly / Installation Instructions for both wall mounting (floating) and freestanding with metal base

Chianti Metal Bases: E110-V39.5-BNK E110-V39.5-MBK E110-V39.5-RGD

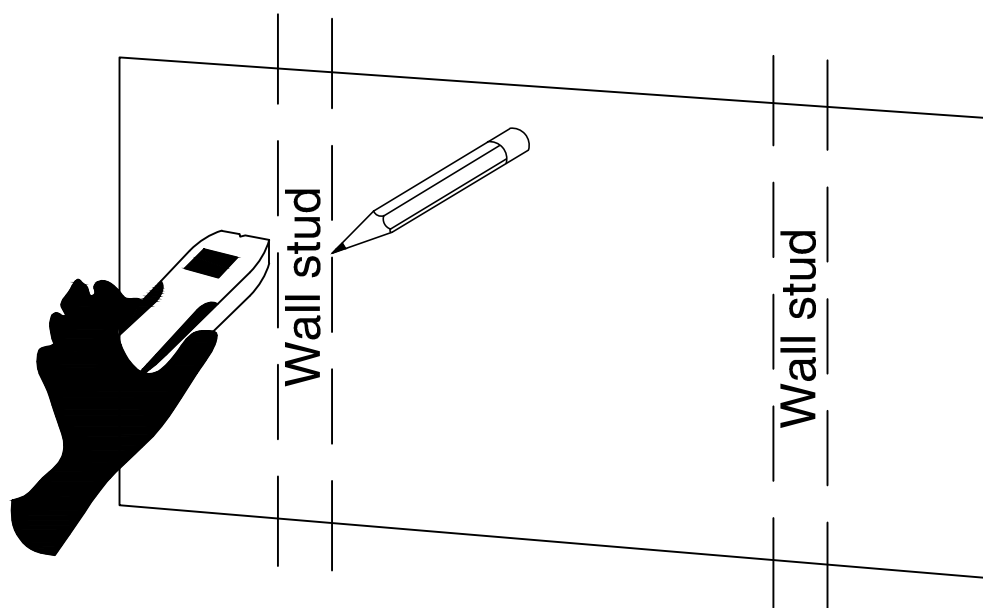
**Materials
for
Installation:**



Stud Finder



Pencil



Step 3 Notes:

Locate and mark the position of the wall's interior studs to which you will fasten the metal bracket.

We recommend the use of an electronic stud finder to locate the studs.

(Alternately, you may find studs by listening for a solid sound as you knock on the wall)

Special Note 1:

If the studs in your bathroom do not line up to the mounting location for your vanity, additional wood blocking can be installed between the studs using standard 2 x 4 lumber.

Special Note 2:

Due to the narrow width of this cabinet, you may decide to use drywall anchors if the wall studs are not spaced appropriately.

IMPORTANT:

James Martin Vanities recommended you always consult with professional installers and contractors regarding the correct installation of our products.

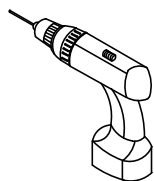


Chianti Vanity Cabinets: E110-V39.5-MCA E110-V39.5-GW E110-V39.5-GSM

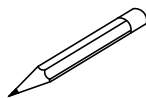
Assembly / Installation Instructions for both wall mounting (floating) and freestanding with metal base

Chianti Metal Bases: E110-V39.5-BNK E110-V39.5-MBK E110-V39.5-RGD

Materials for Installation:



Drill



Pencil

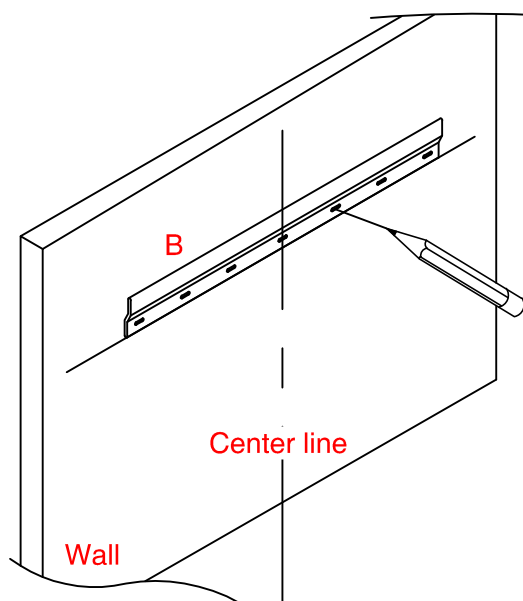


Hammer

A=7PCS Screws for Bracket Ø4*40mm

B=1PC Metal Bracket (27 1/2" 700mm)

C=7PCS Drywall Anchors (optional)* Ø8*38mm



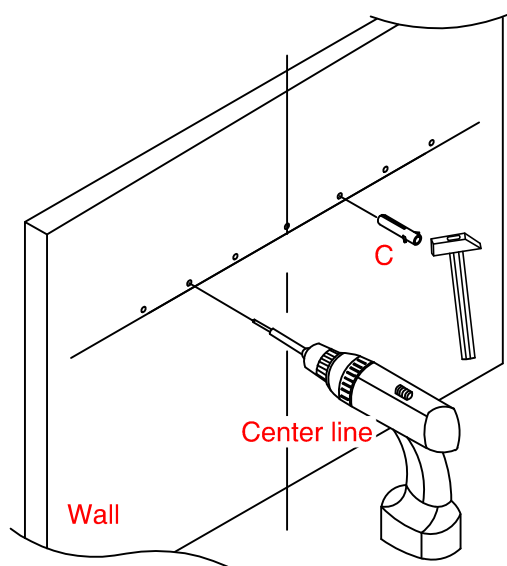
Step 4 Notes:

After you have located the wall studs, position the metal bracket so the holes align with the center points of the studs. Mark these positions with a pencil.

Step 5 Notes:

Drill holes for the screws in the positions you have marked with the pencil.

Drill the holes' depth no less than 1 1/2", insert "C" to the holes by using hammer if wall studs are not in the correct positions.

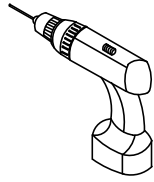


Chianti Vanity Cabinets: E110-V39.5-MCA E110-V39.5-GW E110-V39.5-GSM

Assembly / Installation Instructions for both wall mounting (floating) and freestanding with metal base

Chianti Metal Bases: E110-V39.5-BNK E110-V39.5-MBK E110-V39.5-RGD

**Materials
for
Installation:**

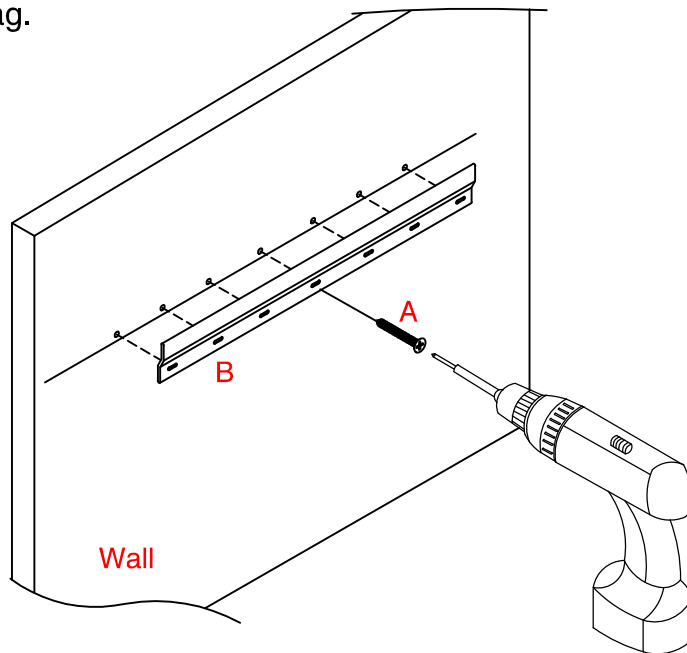


Drill

Step 6 Notes:

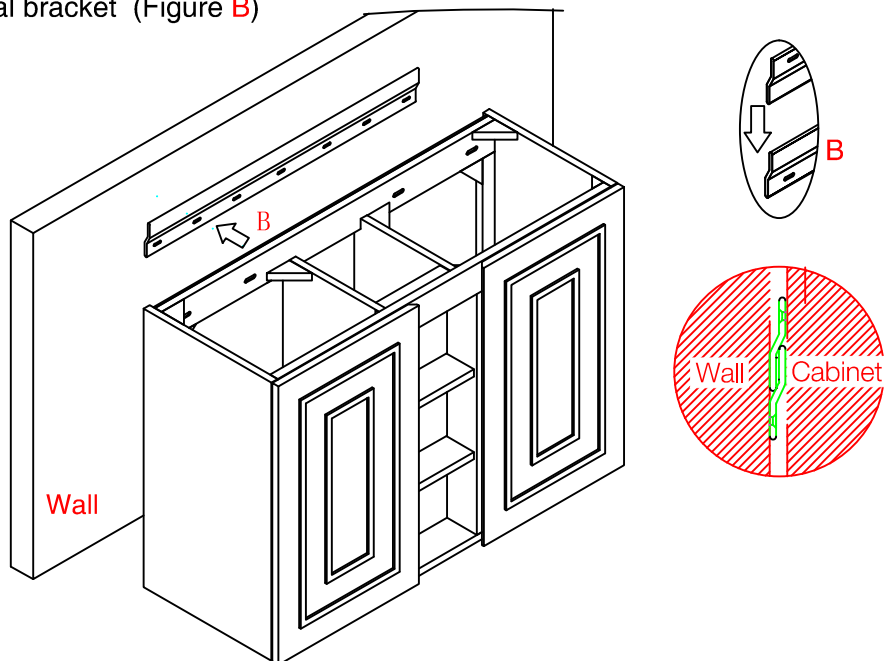
Attach the metal bracket **B** to the Wall using the screws **A** included in the red hardware bag.

*Use hardware **C** (drywall anchors) if wall studs are not in the correct positions.



Step 7 Notes:

Hang the cabinet on the metal bracket (Figure B)





Chianti Vanity Cabinets: E110-V39.5-MCA E110-V39.5-GW E110-V39.5-GSM

Assembly / Installation Instructions for both wall mounting (floating) and freestanding with metal base

Chianti Metal Bases: E110-V39.5-BNK E110-V39.5-MBK E110-V39.5-RGD

Materials for Installation:

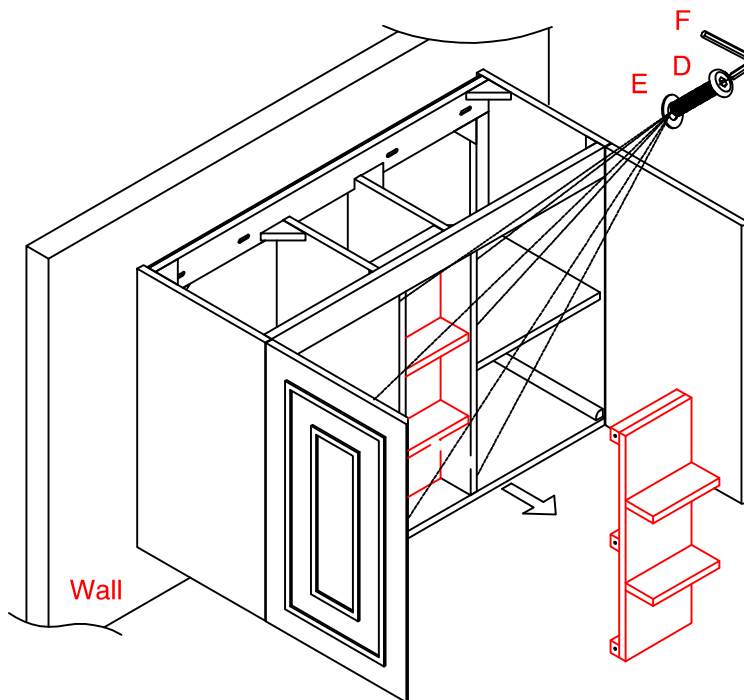
D = 6PCS Bolt 1/4" x 1"



E = 6PCS Flat Washer 1/4" x 5/8"



F = 1 pc Allen Wrench #04



Step 8 Notes:

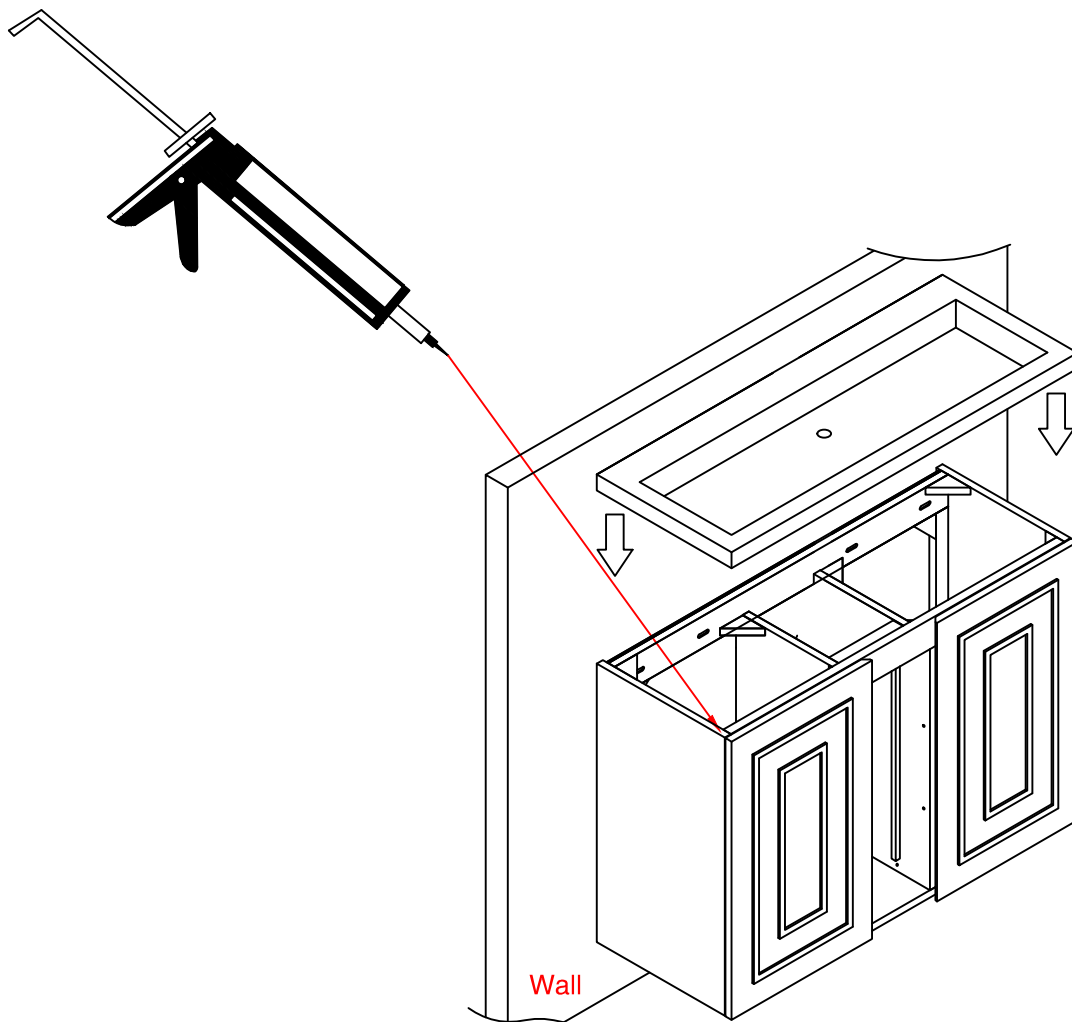
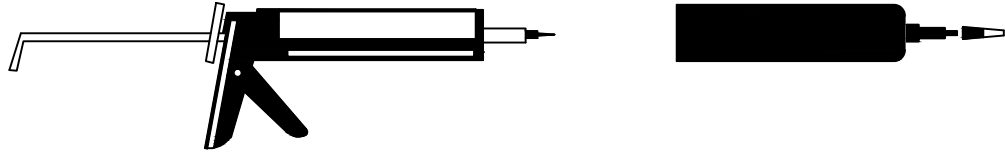
In order to install the pipes and drain etc., the front baffle needs to be removed first. You will need the hex key (allen **F**) wrench to remove the bolts (**D**) and washers (**E**) from the side. Please keep the removed hardware and wrench for use in the future.

Chianti Vanity Cabinets: E110-V39.5-MCA E110-V39.5-GW E110-V39.5-GSM

Assembly / Installation Instructions for both wall mounting (floating) and freestanding with metal base

Chianti Metal Bases: E110-V39.5-BNK E110-V39.5-MBK E110-V39.5-RGD

Materials
for
Installation:



Step 9 Notes:

Properly align and secure the countertop to the cabinet with high quality adhesive.

Chianti Vanity Cabinets: E110-V39.5-MCA E110-V39.5-GW E110-V39.5-GSM

Assembly / Installation Instructions for both wall mounting (floating) and freestanding with metal base

Chianti Metal Bases: E110-V39.5-BNK E110-V39.5-MBK E110-V39.5-RGD

Materials
for
Installation:

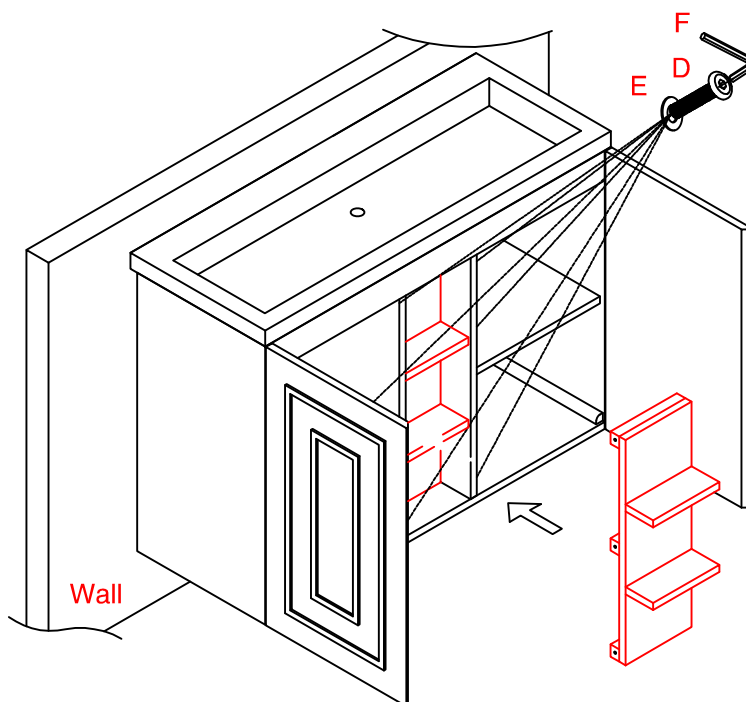
D = 6PCS Bolt 1/4" x 1"



E = 6PCS Flat Washer 1/4" x 5/8"



F = 1 pc Allen Wrench #04



Step 10 Notes:

After the installations of pipes and drain are completed, please attach the front baffle to the vanity cabinet. Secure the bolts (D) and washers (E) by turning the hex key (allen F) wrench.

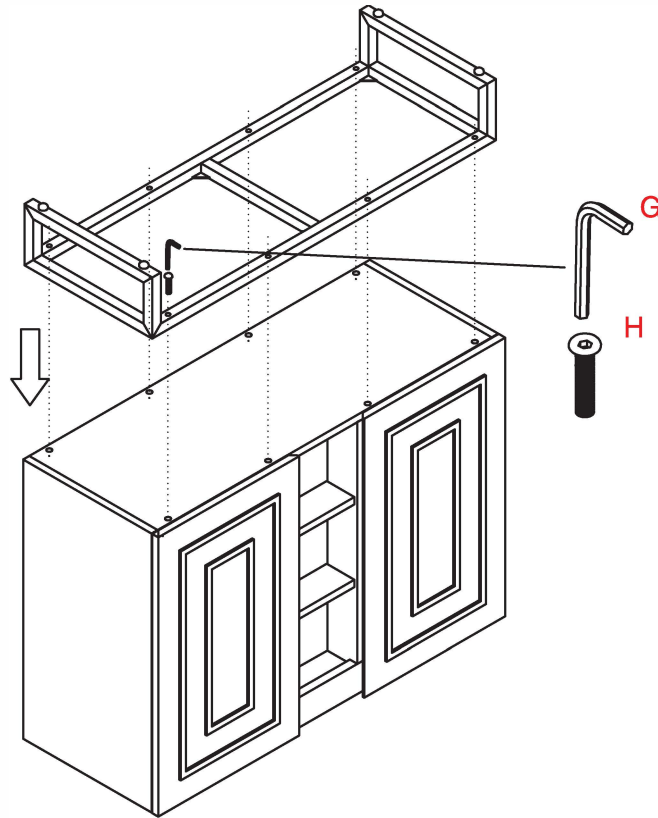


Chianti Vanity Cabinets: E110-V39.5-MCA E110-V39.5-GW E110-V39.5-GSM

Assembly / Installation Instructions for both wall mounting (floating) and freestanding with metal base

Chianti Metal Bases: E110-V39.5-BNK E110-V39.5-MBK E110-V39.5-RGD

Warning: To prevent accidental tip-over of these cabinets, you must follow these steps.



Step 1b Notes:

Place the vanity cabinet upside down on a blanket or other soft material, to prevent scratching.

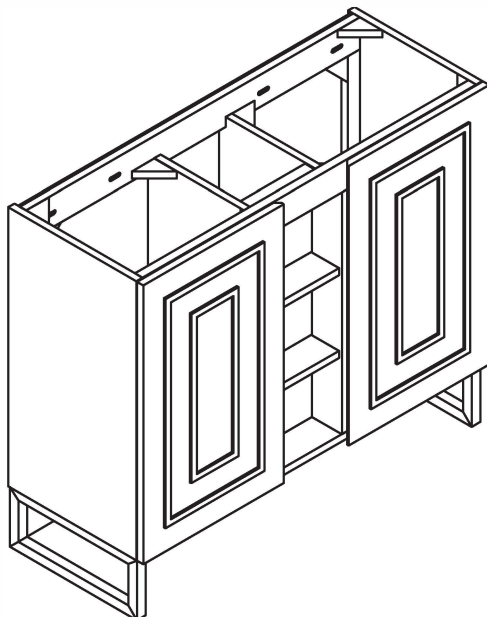
Step 2b Notes:

Attach the metal bolts (H) to the bottom of the vanity cabinet. Secure the bolts by turning the Allen Wrench (G)

G = 1PC Allen Wrench (#4)



H = 8PCS Bolts 1/4" x 1 1/2"



Step 3b Notes:

Once the metal base has been safely and securely attached to the vanity cabinet, you may return the cabinet to the upright position.

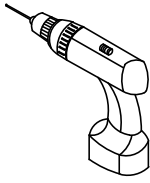


Chianti Vanity Cabinets: E110-V39.5-MCA E110-V39.5-GW E110-V39.5-GSM

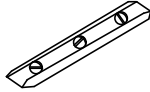
Assembly / Installation Instructions for both wall mounting (floating) and freestanding with metal base

Chianti Metal Bases: E110-V39.5-BNK E110-V39.5-MBK E110-V39.5-RGD

Materials for Installation:



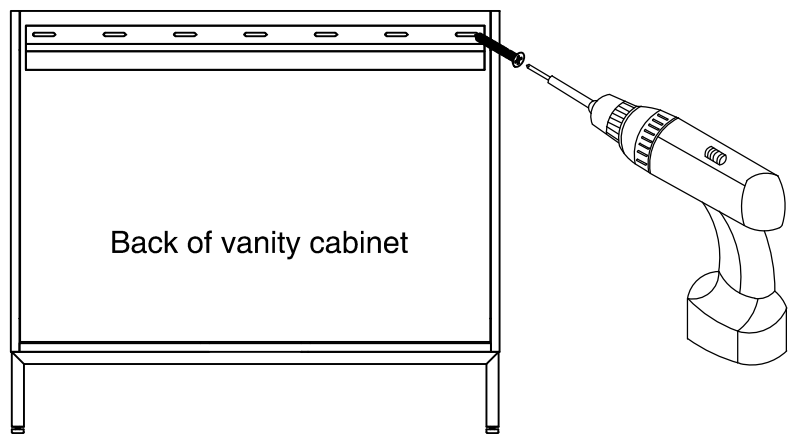
Drill



Level



Pencil

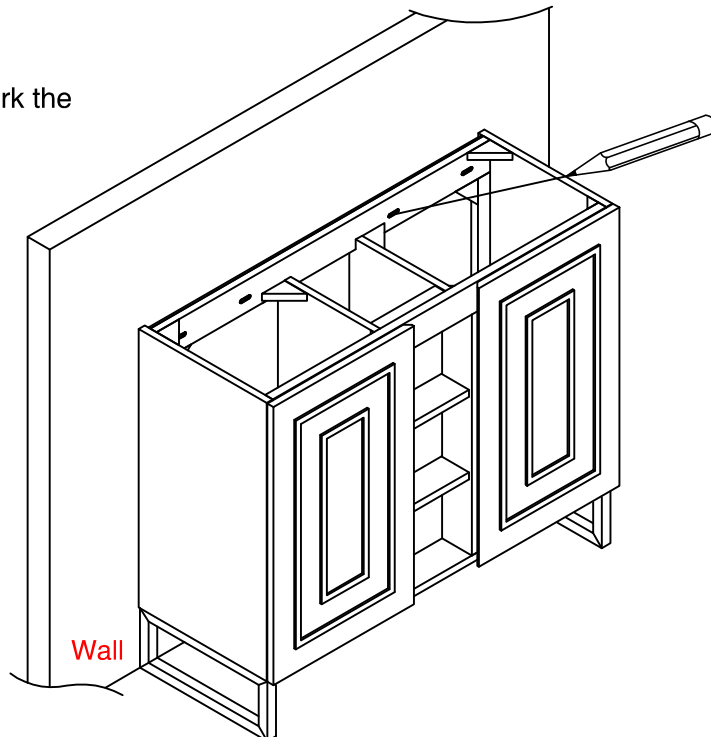


Step 4b Notes:

Remove the pre-attached metal mounting (French Cleat) brackets.

Step 5b Notes:

Put the cabinet against the wall, mark the positions with a pencil through the pre-drilled holes on the back rail.



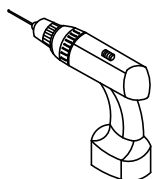


Chianti Vanity Cabinets: E110-V39.5-MCA E110-V39.5-GW E110-V39.5-GSM

Assembly / Installation Instructions for both wall mounting (floating) and freestanding with metal base

Chianti Metal Bases: E110-V39.5-BNK E110-V39.5-MBK E110-V39.5-RGD

Materials for Installation:



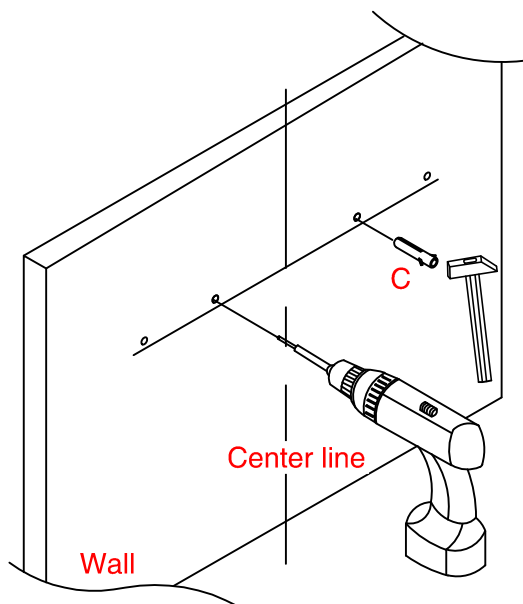
Drill



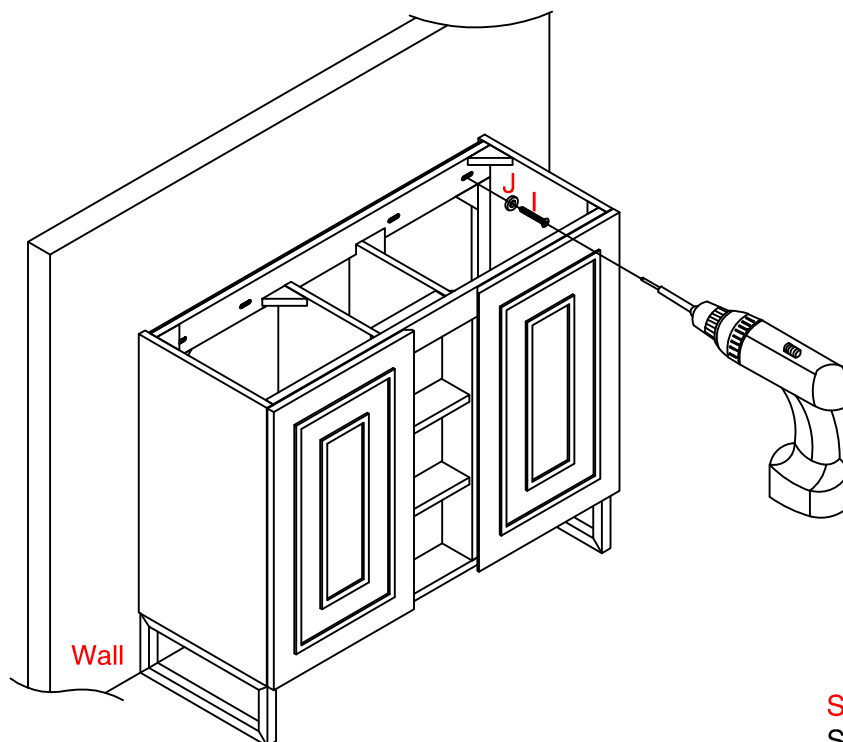
Hammer

Step 6b Notes:

Drill holes for the screws in the positions you have marked with the pencil.
 Drill the holes' depth no less than 1 1/2", insert hardware **C** (drywall anchors) to the holes by using hammer if wall studs are not in the correct positions.



C=4PCS Drywall Anchors (optional) Ø8*38mm



I=4PCS Screw Ø4*60mm



J=4PCS Flat Washer Ø11mm



Step 7b Notes:

Secure the cabinet to the wall using hardware **I** (screws) and Flat Washer **J** for wall studs.



Chianti Vanity Cabinets: E110-V39.5-MCA E110-V39.5-GW E110-V39.5-GSM

Assembly / Installation Instructions for both wall mounting (floating) and freestanding with metal base

Chianti Metal Bases: E110-V39.5-BNK E110-V39.5-MBK E110-V39.5-RGD

Materials for Installation:

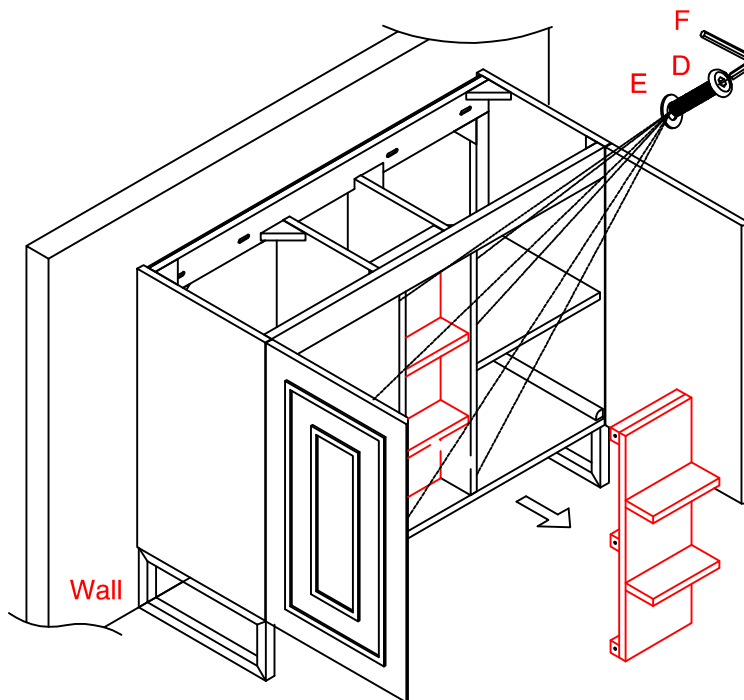
D = 6PCS Bolt 1/4" x 1"



E = 6PCS Flat Washer 1/4" x 5/8"



F = 1 pc Allen Wrench #04



Step 8 Notes:

In order to install the pipes and drain etc., the front baffle needs to be removed first. You will need the hex key (allen **F**) wrench to remove the bolts (**D**) and washers (**E**) from the side. Please keep the removed hardware and wrench for use in the future.

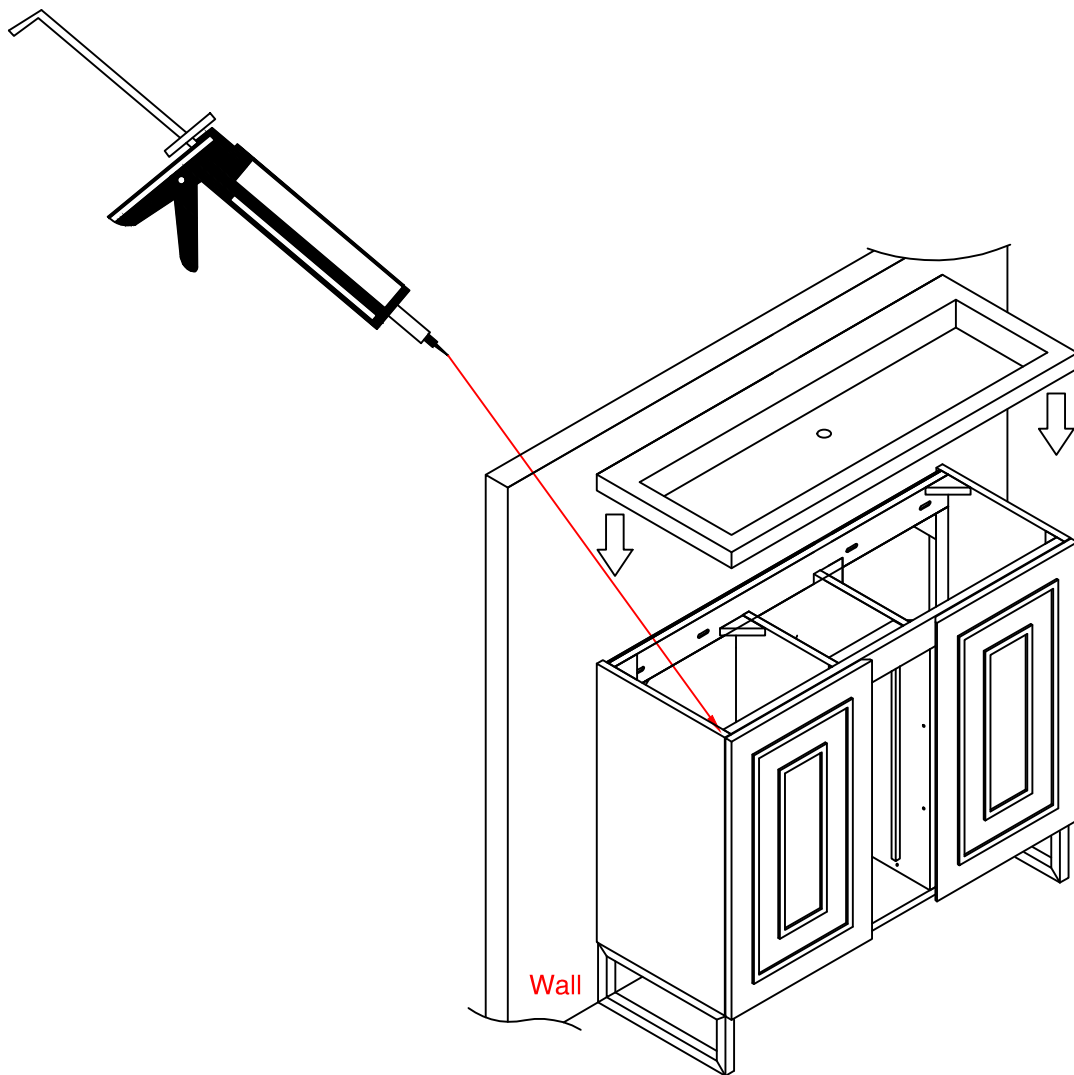
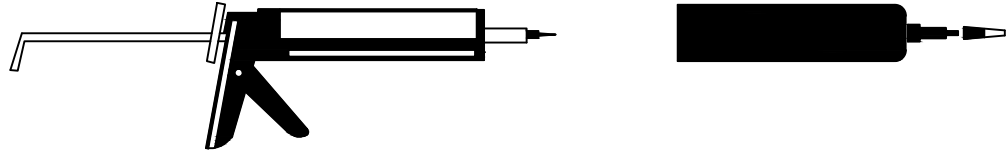


Chianti Vanity Cabinets: E110-V39.5-MCA E110-V39.5-GW E110-V39.5-GSM

Assembly / Installation Instructions for both wall mounting (floating) and freestanding with metal base

Chianti Metal Bases: E110-V39.5-BNK E110-V39.5-MBK E110-V39.5-RGD

Materials
for
Installation:



Step 9 Notes:

Properly align and secure the countertop to the cabinet with high quality adhesive.

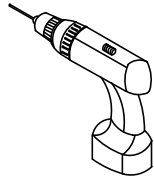


Chianti Vanity Cabinets: E110-V39.5-MCA E110-V39.5-GW E110-V39.5-GSM

Assembly / Installation Instructions for both wall mounting (floating) and freestanding with metal base

Chianti Metal Bases: E110-V39.5-BNK E110-V39.5-MBK E110-V39.5-RGD

Materials
for
Installation:



Drill

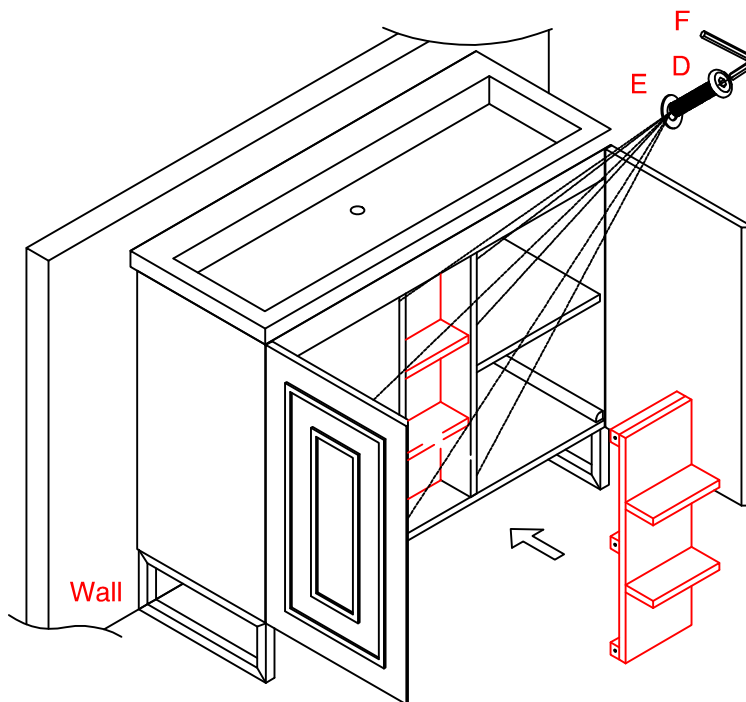
D = 6PCS Bolt 1/4" x 1"



E = 6PCS Flat Washer 1/4" x 5/8"



F = 1 pc Allen Wrench #04



Step 10 Notes:

After the installations of pipes and drain are completed, please attach the front baffle to the vanity cabinet. Secure the bolts (D) and washers (E) by turning the hex key (allen F) wrench.