

59 7/8"

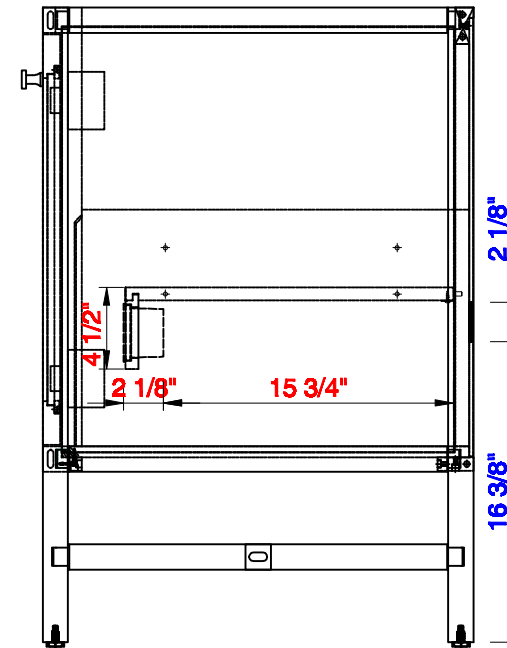
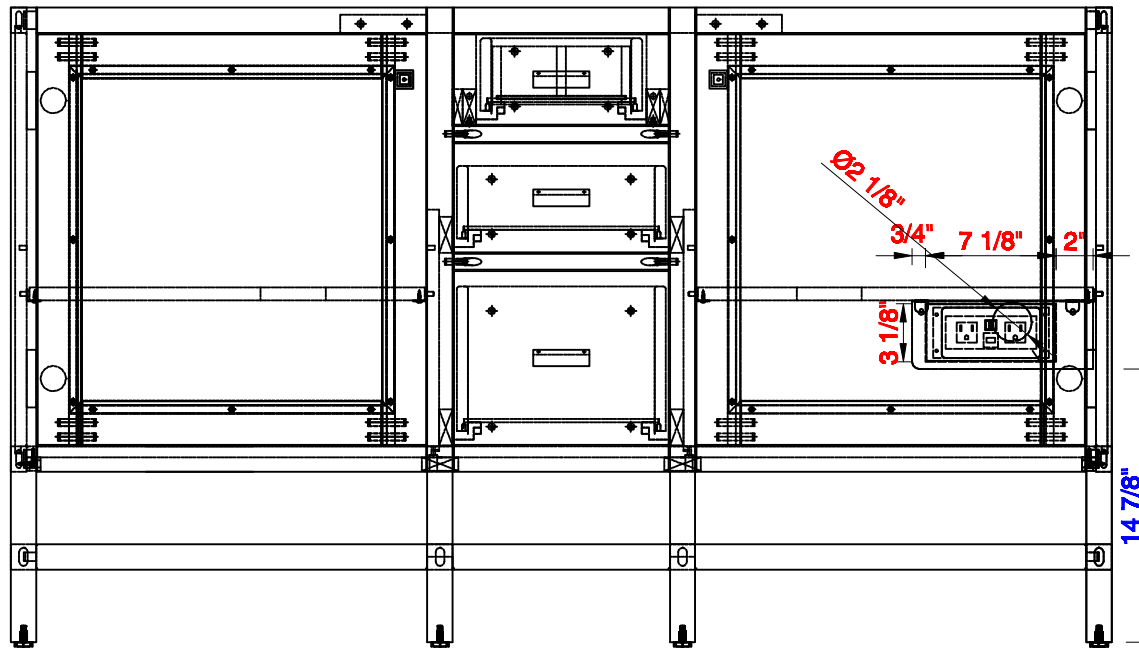
Item Number:
E444-V60D-MCA

JAMES MARTIN



VANITIES™

Addison 59 7/8" Double Cabinet
Diagrams with Dimensions
page 01 of 01



1520mm

JAMES MARTIN



VANITIES™

Addison 1520mm Double Cabinet
Diagrams with Dimensions
page 01 of 01

