

60" S

Item Number:

620-V60S-BNM
620-V60S-CWH
620-V60S-WWW

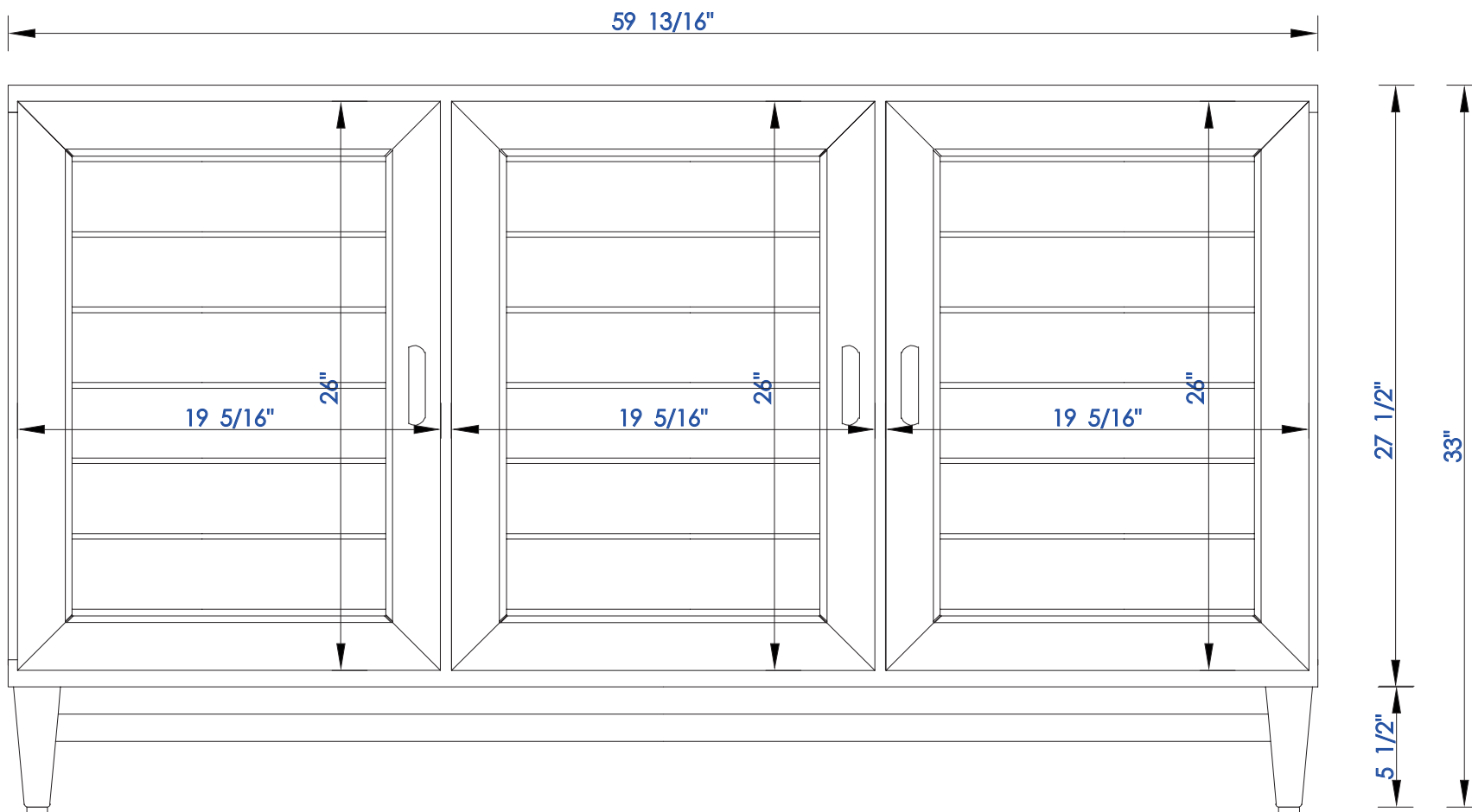
JAMES MARTIN



VANITIES

Portland 60" Single Vanity

Diagrams with Dimensions
page 01 of 03



NOTE ONE: Countertops are not shown in these diagrams. (Cabinet Only)

NOTE TWO: This vanity does not have a Backsplash.

Please consult our website for Countertop Diagrams: www.jamesmartinvanities.com

60" S

Item Number:

620-V60S-BNM
620-V60S-CWH
620-V60S-WWW

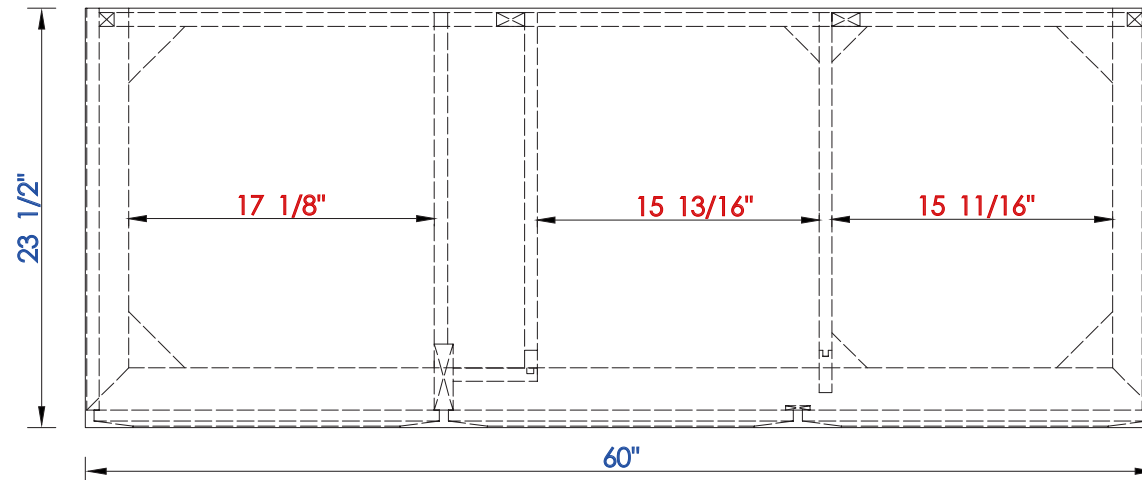
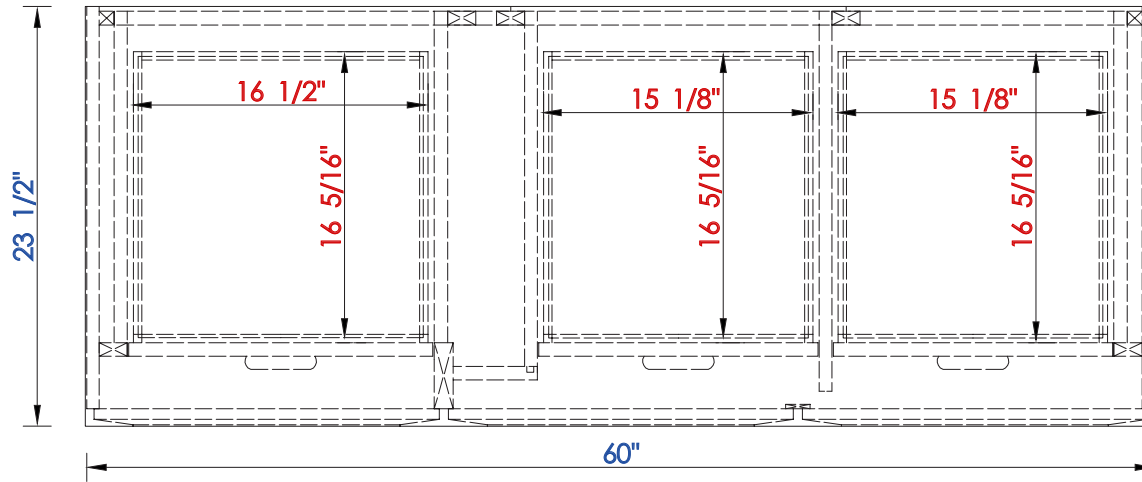
JAMES MARTIN



VANITIES

Portland 60" Single Vanity

Diagrams with Dimensions
page 02 of 03



NOTE ONE: Countertops are not shown in these diagrams. (Cabinet Only)

Please consult our website for Countertop Diagrams: www.jamesmartinvanities.com

60" S

Item Number:

JAMES MARTIN

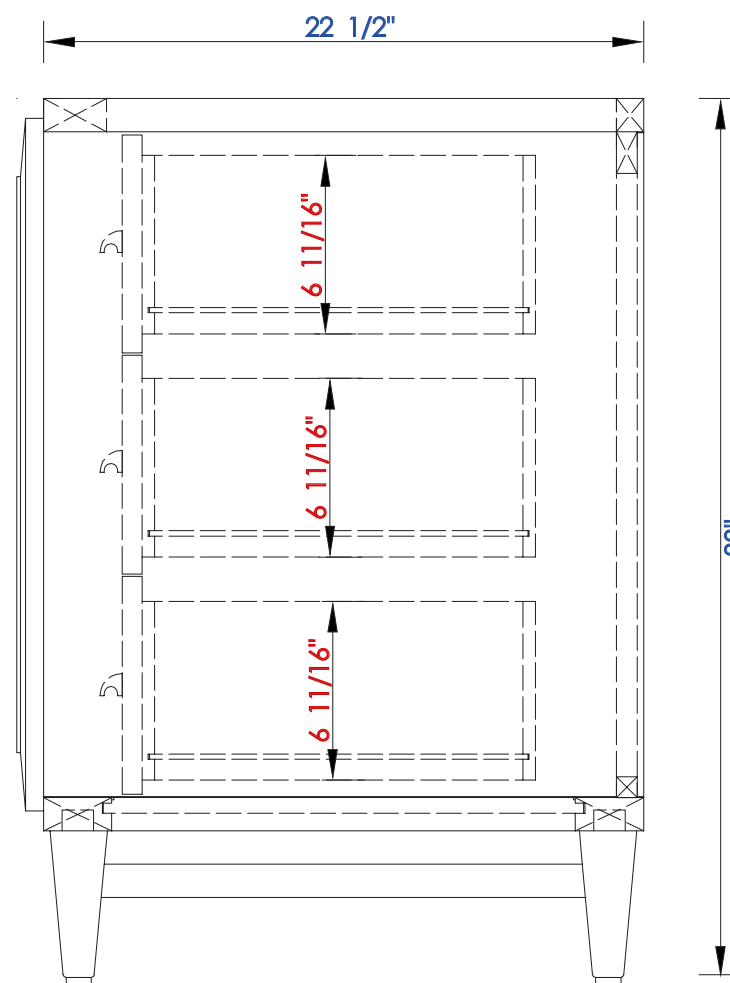
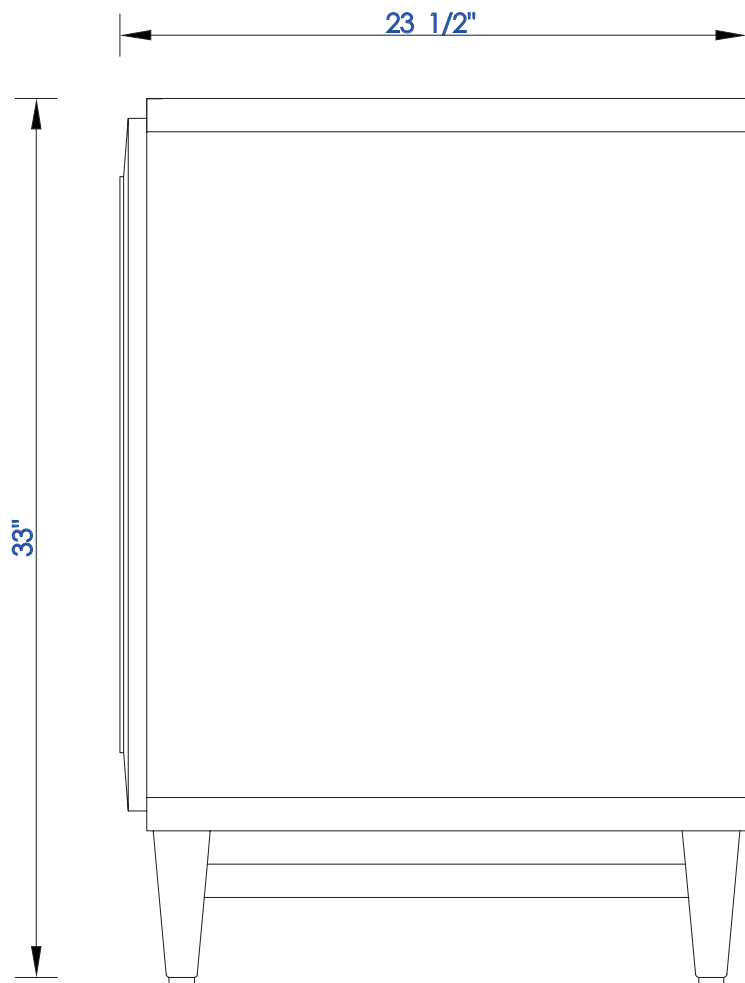
Portland 60" Single Vanity

620-V60S-BNM
620-V60S-CWH
620-V60S-WWW



VANITIES

Diagrams with Dimensions
page 03 of 03



NOTE ONE: Countertops are not shown in these diagrams. (Cabinet Only)

NOTE TWO: This vanity does not have a Backsplash.

Please consult our website for Countertop Diagrams: www.jamesmartinvanities.com

1524 mm

Item Number:

JAMES MARTIN

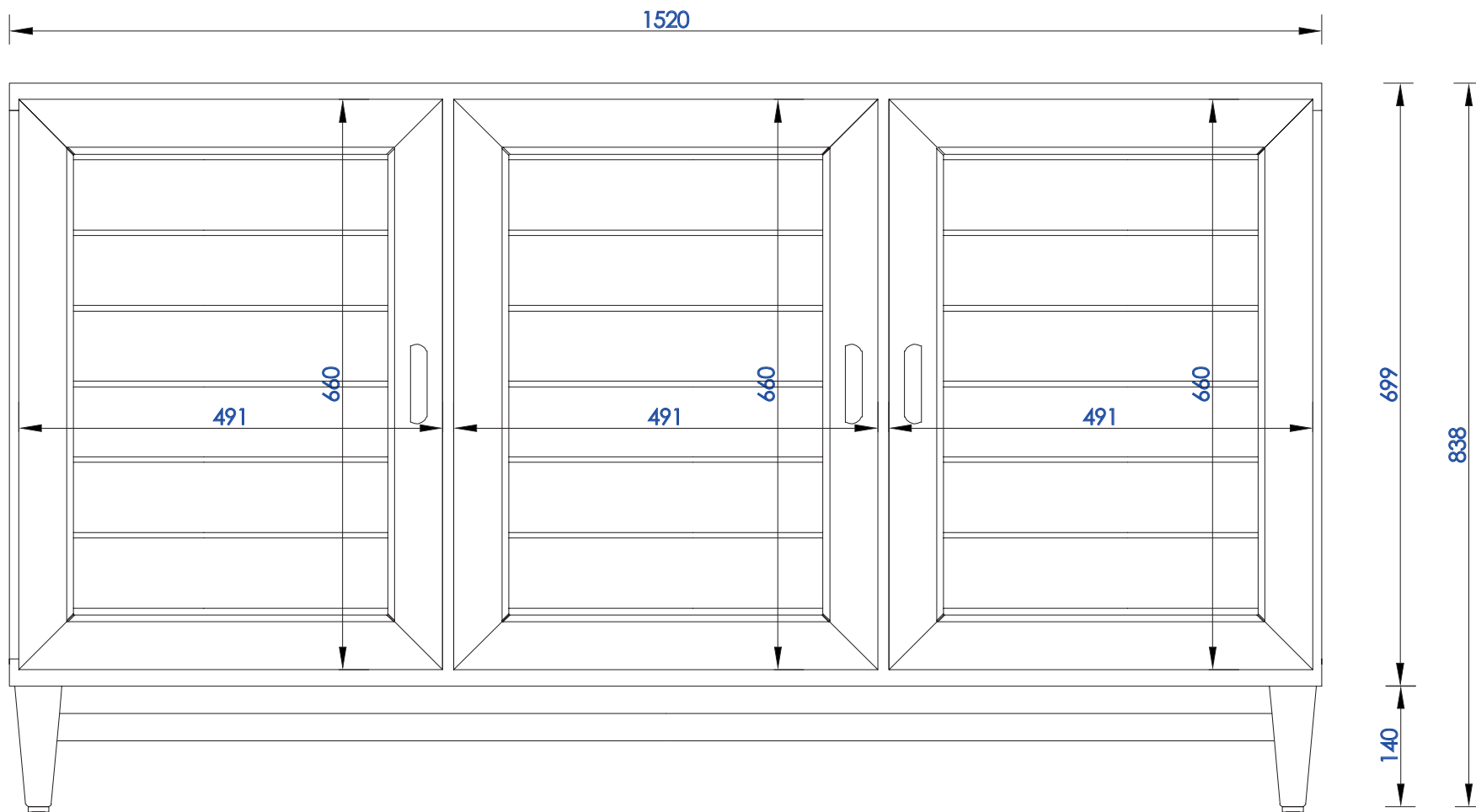
Portland 1524mm Single Vanity

620-V60S-BNM
620-V60S-CWH
620-V60S-WWW



VANITIES

Diagrams with Dimensions
page 01 of 03



NOTE ONE: Countertops are not shown in these diagrams. (Cabinet Only)

NOTE TWO: This vanity does not have a Backsplash.

Please consult our website for Countertop Diagrams: www.jamesmartinvanities.com

1524 mm

Item Number:

620-V60S-BNM
620-V60S-CWH
620-V60S-WWW

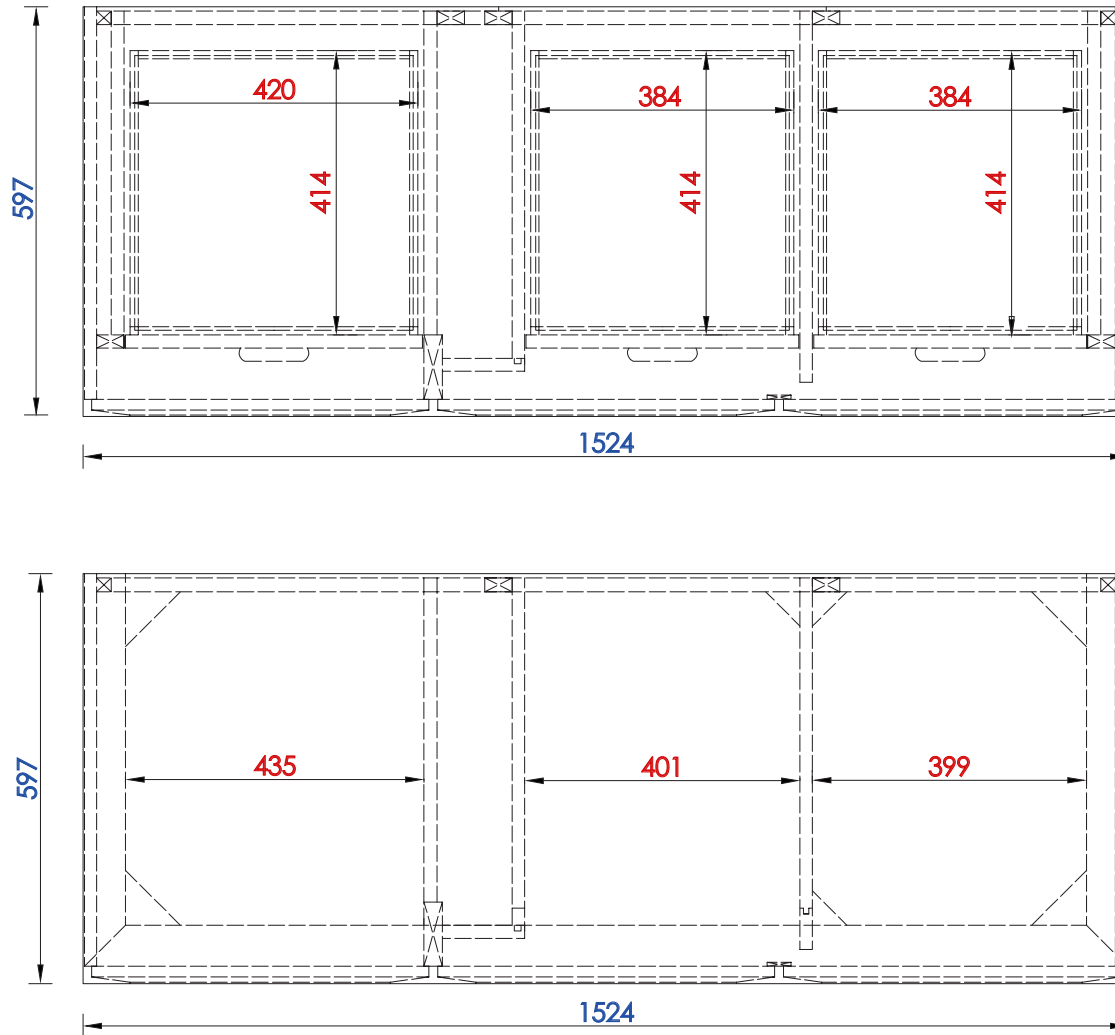
JAMES MARTIN



VANITIES

Portland 1524mm Single Vanity

Diagrams with Dimensions
page 02 of 03



NOTE ONE: Countertops are not shown in these diagrams. (Cabinet Only)

Please consult our website for Countertop Diagrams: www.jamesmartinvanities.com

1524 mm

Item Number:

JAMES MARTIN

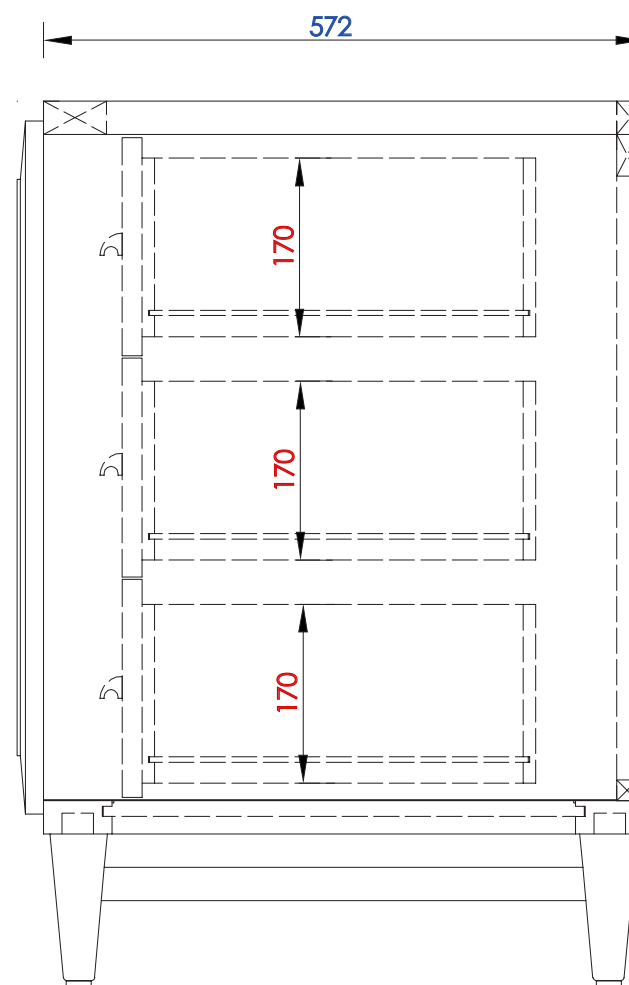
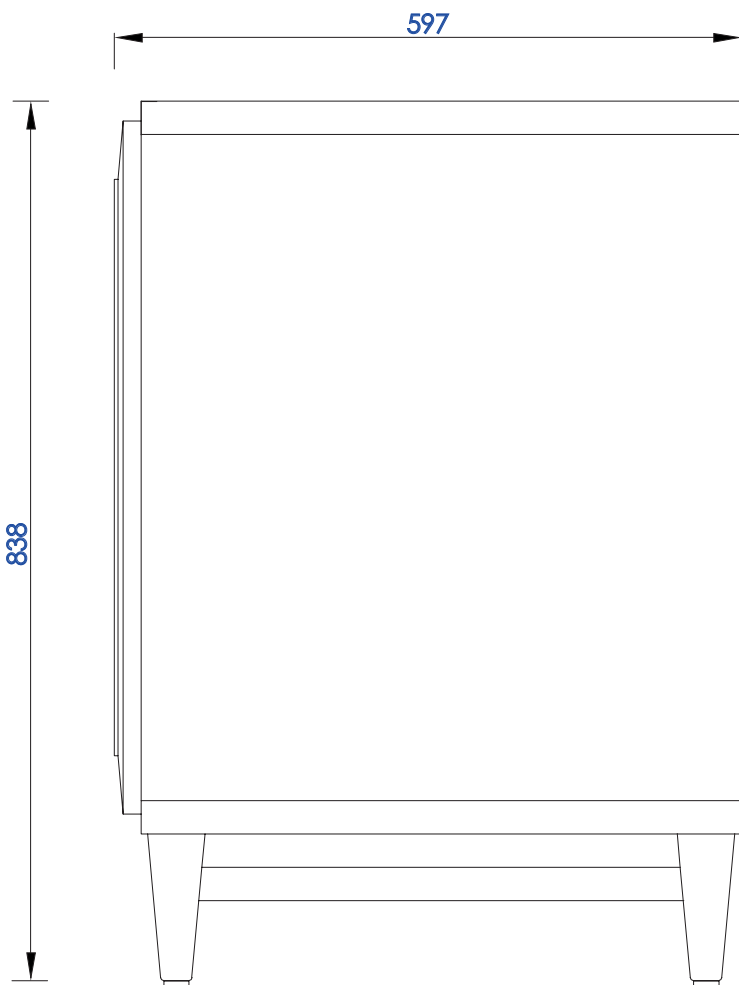
Portland 1524mm Single Vanity

620-V60S-BNM
620-V60S-CWH
620-V60S-WWW

Diagrams with Dimensions
page 03 of 03



VANITIES



NOTE ONE: Countertops are not shown in these diagrams. (Cabinet Only)

NOTE TWO: This vanity does not have a Backsplash.

Please consult our website for Countertop Diagrams: www.jamesmartinvanities.com

60"S

Item Number:

620-V60S-BNM
620-V60S-CWH
620-V60S-WW

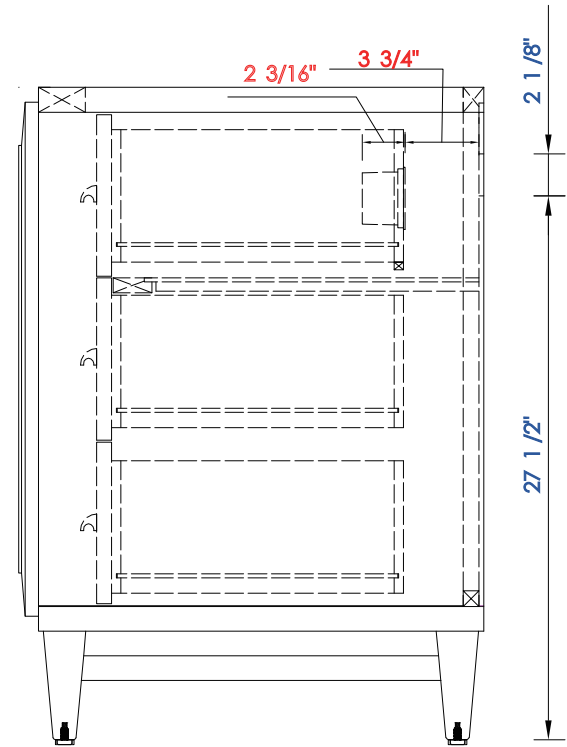
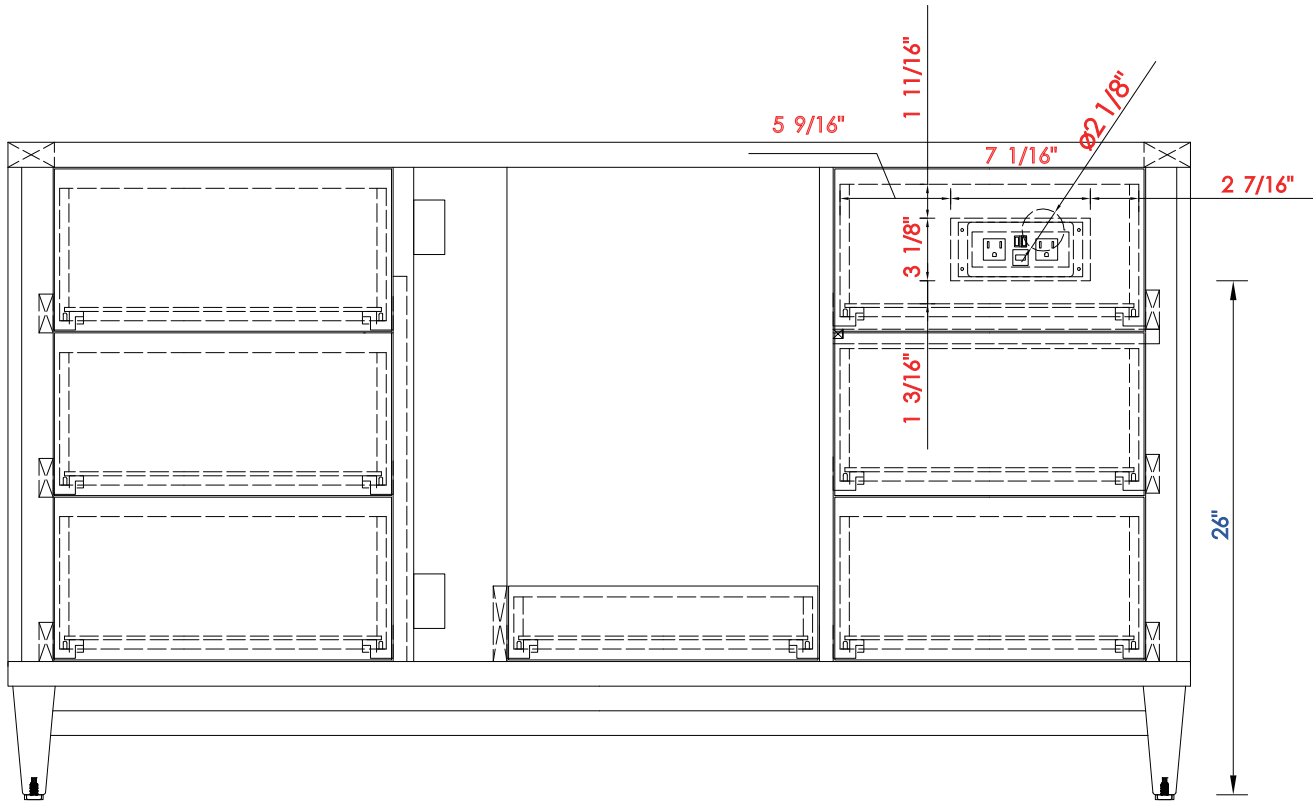
JAMES MARTIN



VANITIES

Portland 60"S Single Vanity

Diagrams with Dimensions
page 01 of 01



1219 mm

Item Number:

620-V60S-BNM
620-V60S-CWH
620-V60S-WW

JAMES MARTIN



VANITIES

Portland 1219mm Single Vanity

Diagrams with Dimensions
page 01 of 01

