

48"

Item Number:

301-V48-BNM
301-V48-SL

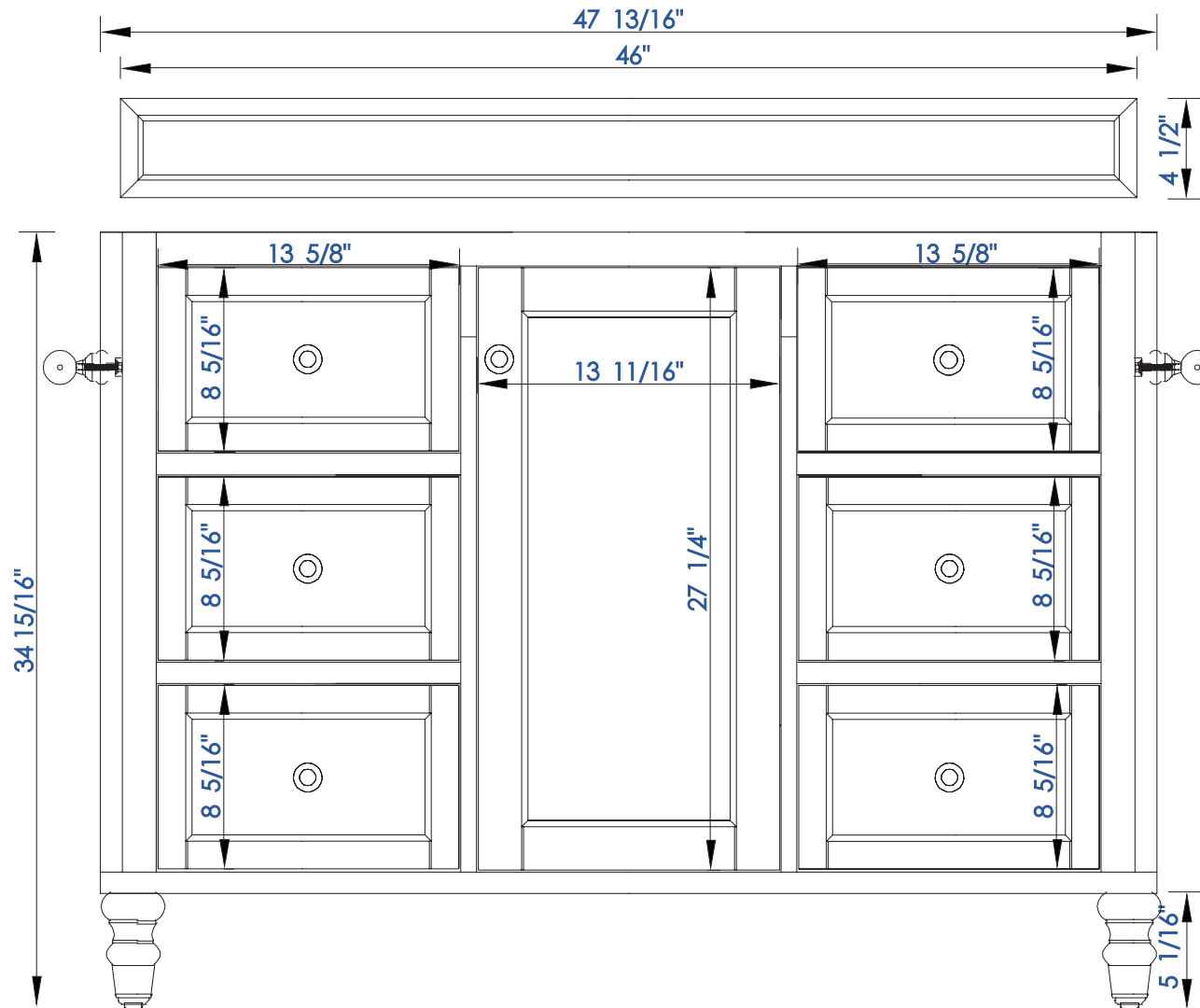
JAMES MARTIN



VANITIES

Copper Cove 48" Single Vanity

Diagrams with Dimensions
page 01 of 03



NOTE ONE: Countertops are not shown in these diagrams. (Cabinet Only)

NOTE TWO: Wood Backsplash (Shown) is designed for the molding detail to align with sinks in James Martin's Optional Countertops.

Customer's own countertops and sinks may align differently, and modification may be required.

Please consult our website for Countertop Diagrams: www.jamesmartinvanities.com

48"

Item Number:

301-V48-BNM
301-V48-SL

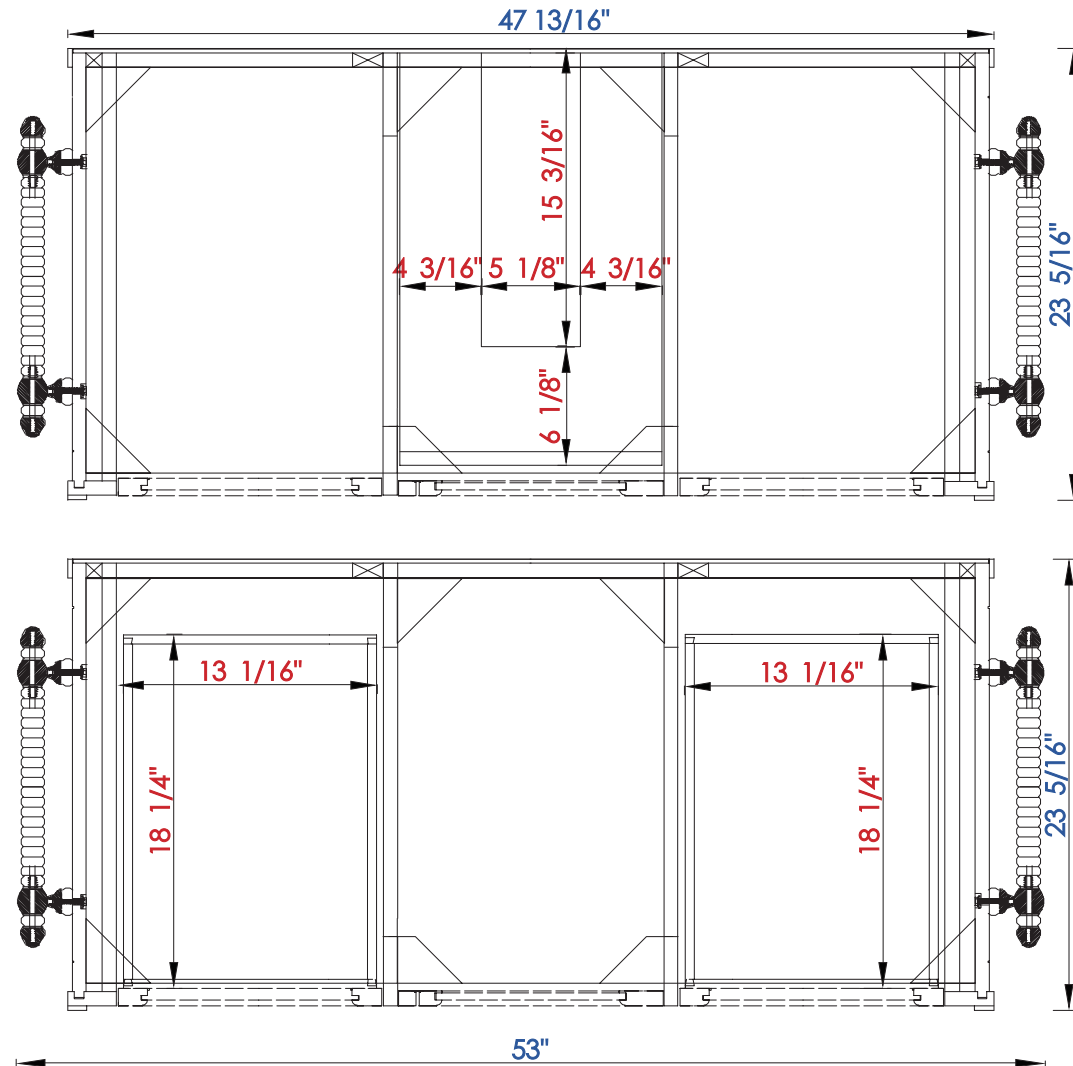
JAMES MARTIN



VANITIES

Copper Cove 48" Single Vanity

Diagrams with Dimensions
page 02 of 03



NOTE ONE: Countertops are not shown in these diagrams. (Cabinet Only)

NOTE TWO: Internal Shelves(Shown) are designed to align with sinks in James Martin's Optional Countertops.(with shelvesonly)

Customer's own countertops and sink may align differently, and modification may be required.

Please consult our website for Countertop Diagrams: www.jamesmartinvanities.com

48"

Item Number:

301-V48-BNM
301-V48-SL

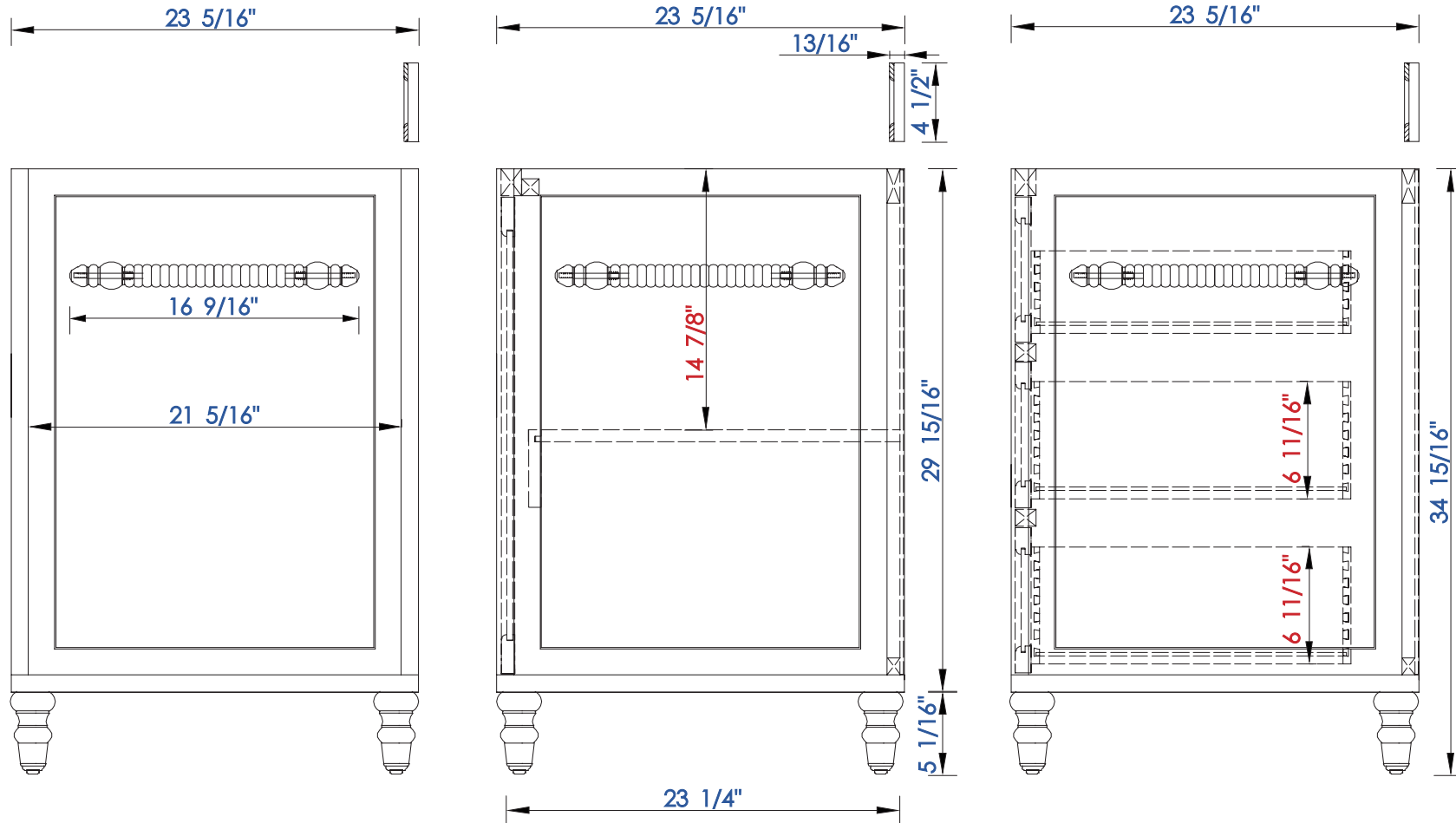
JAMES MARTIN



VANITIES

Copper Cove 48" Single Vanity

Diagrams with Dimensions
page 03 of 03



NOTE ONE: Countertops are not shown in these diagrams. (Cabinet Only)

NOTE TWO: Wood Backsplash (Shown) is designed for the molding detail to align with sinks in James Martin's Optional Countertops.

Customer's own countertops and sinks may align differently, and modification may be required.

Please consult our website for Countertop Diagrams: www.jamesmartinvanities.com

1219 mm

Item Number:
301-V48-BNM
301-V48-SL

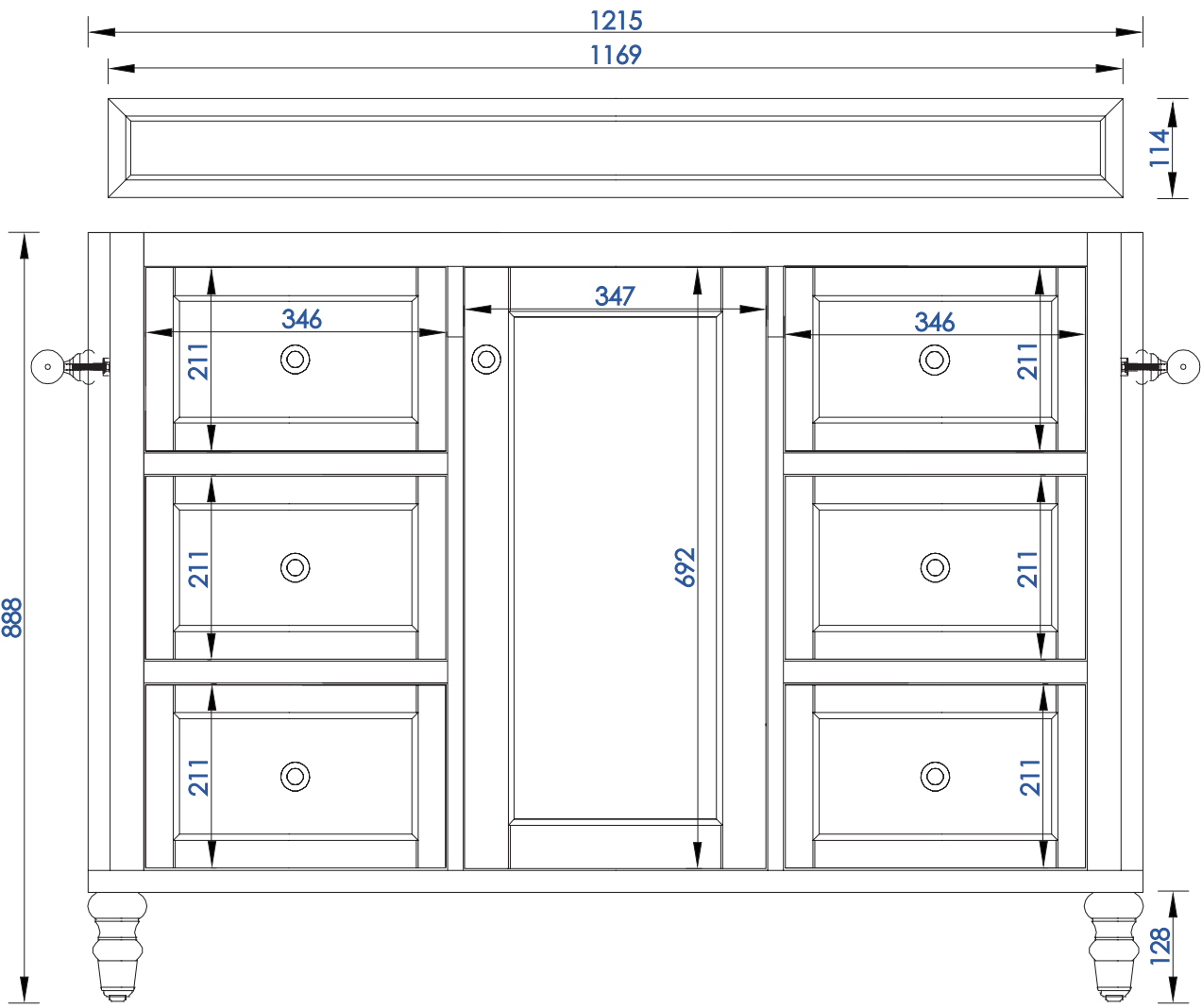
JAMES MARTIN

Copper Cove 1219mm Single Vanity

Diagrams with Dimensions
page 01 of 03



VANITIES



NOTE ONE: Countertops are not shown in these diagrams. (Cabinet Only)
NOTE TWO: Wood Backsplash (Shown) is designed for the molding detail to align with sinks in James Martin's Optional Countertops.
Customer's own countertops and sinks may align differently, and modification may be required.
Please consult our website for Countertop Diagrams: www.jamesmartinvanities.com

1219 mm

Item Number:
301-V48-BNM
301-V48-SL

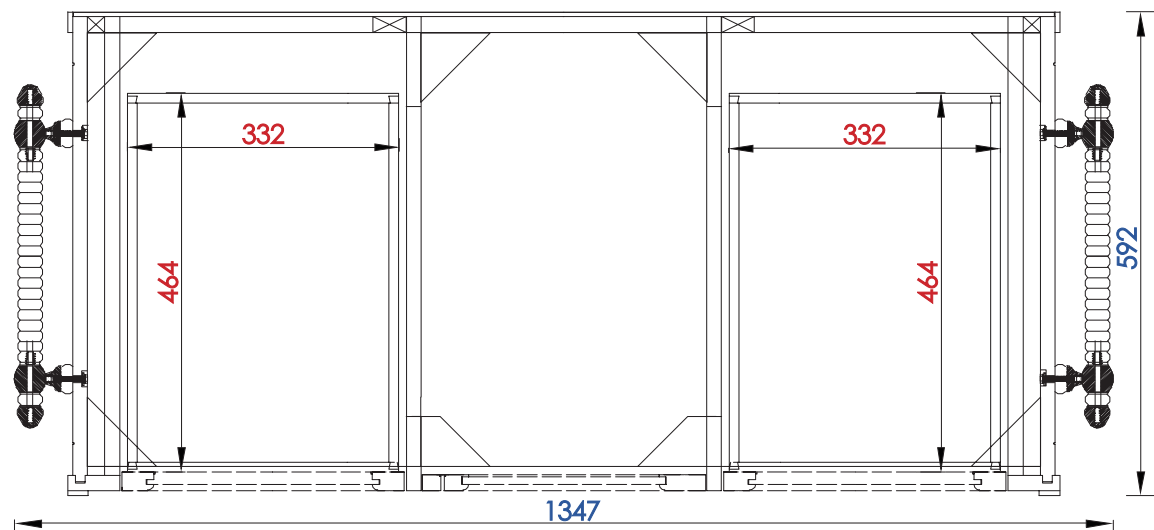
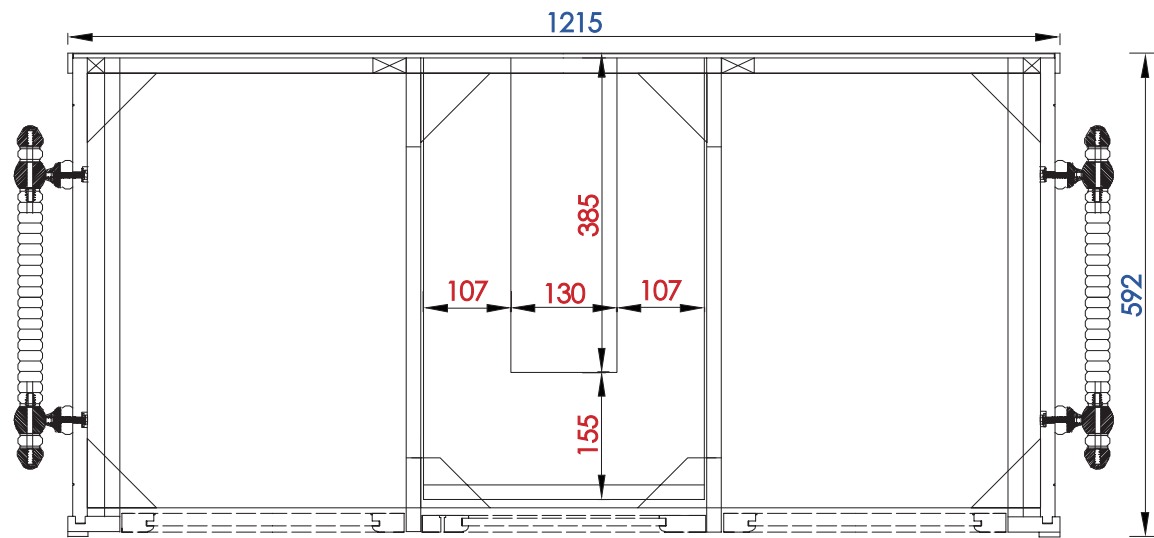
JAMES MARTIN



VANITIES

Copper Cove 1219mm Single Vanity

Diagrams with Dimensions
page 02 of 03



NOTE ONE: Countertops are not shown in these diagrams. (Cabinet Only)
NOTE TWO: Internal Shelves(Shown) are designed to align with sinks in James Martin's Optional Countertops.(with shelvesonly)
Customer's own countertops and sink may align differently, and modification may be required.
Please consult our website for Countertop Diagrams: www.jamesmartinvanities.com

1219 mm

Item Number:

301-V48-BNM
301-V48-SL

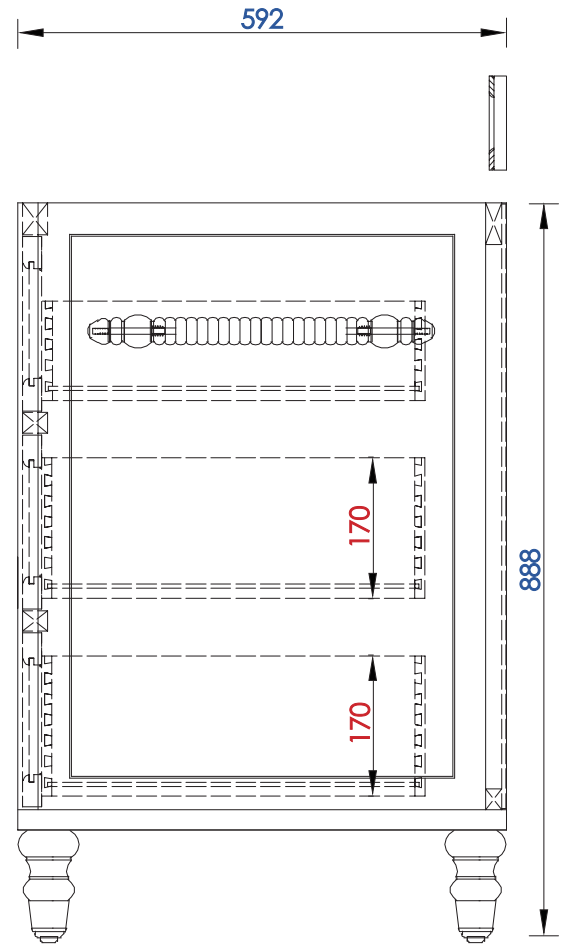
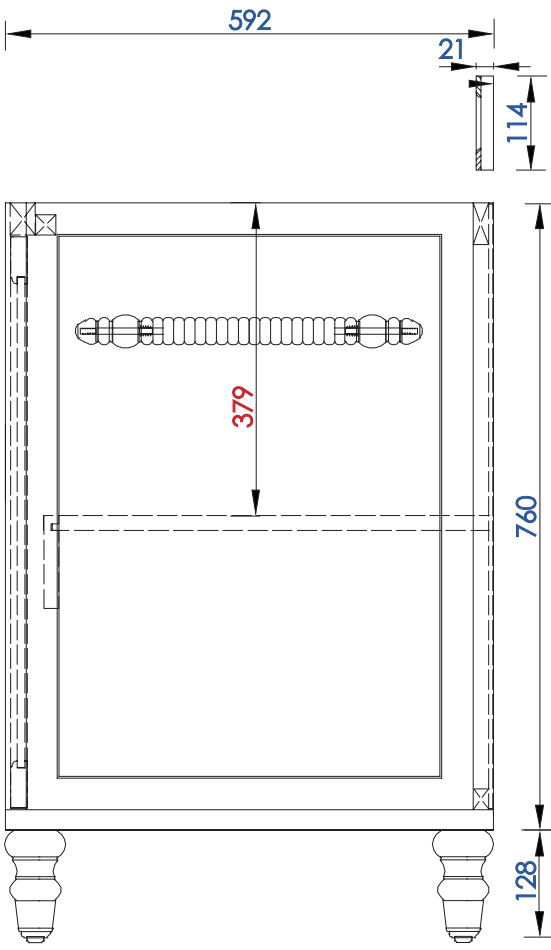
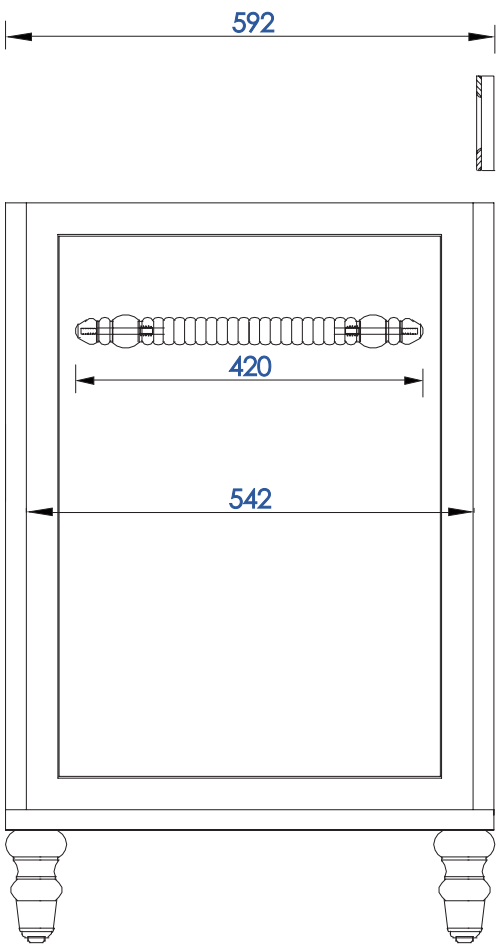
JAMES MARTIN



VANITIES

Copper Cove 1219mm Single Vanity

Diagrams with Dimensions
page 03 of 03



NOTE ONE: Countertops are not shown in these diagrams. (Cabinet Only)

NOTE TWO: Wood Backsplash (Shown) is designed for the molding detail to align with sinks in James Martin's Optional Countertops.

Customer's own countertops and sinks may align differently, and modification may be required.

Please consult our website for Countertop Diagrams: www.jamesmartinvanities.com

48"

Item Number:

301-V48-BW/SL

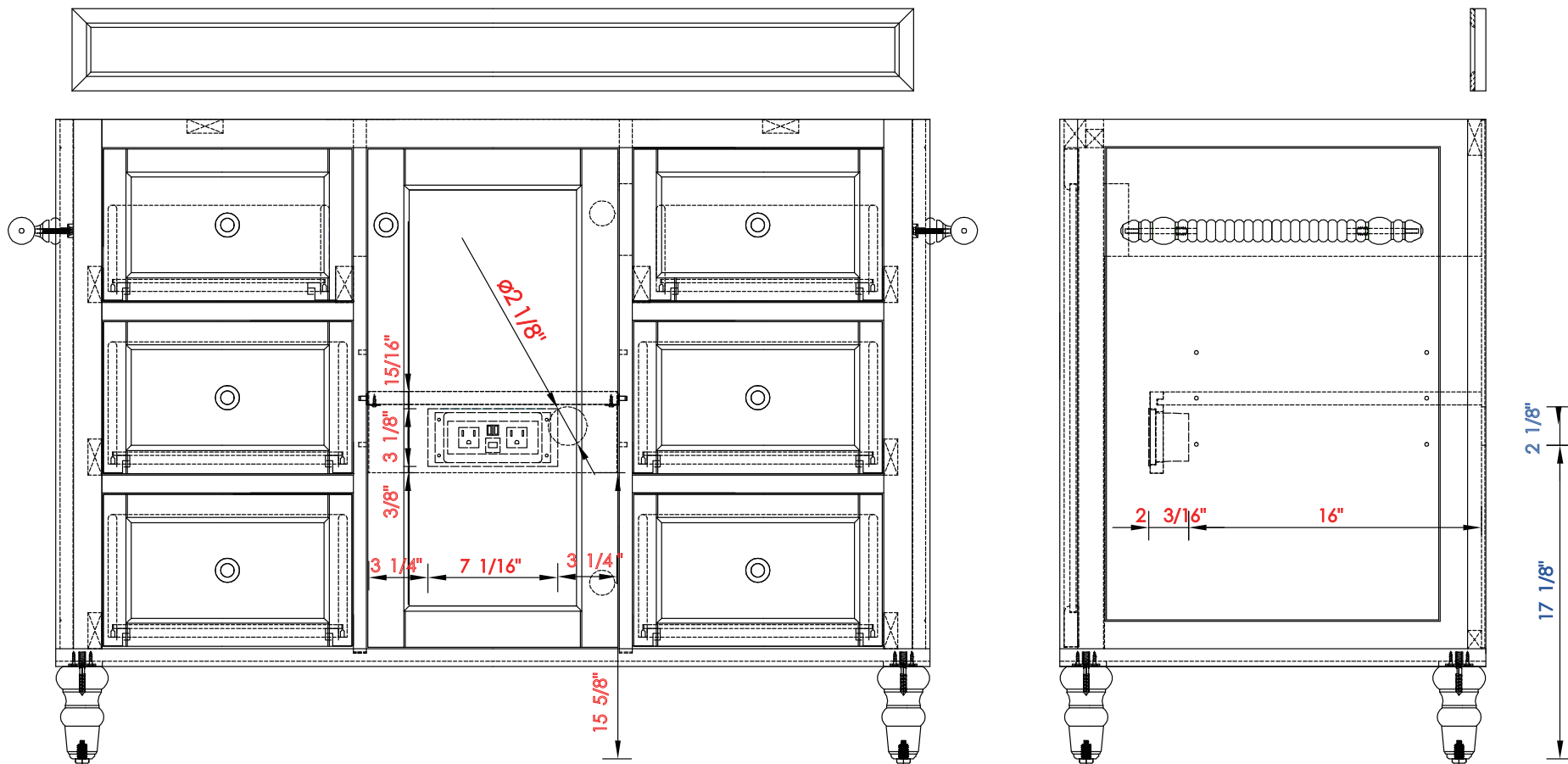
JAMES MARTIN



VANITIES

Copper cove encore 48 " Cabinet

Diagrams with Dimensions
page 01 of 01

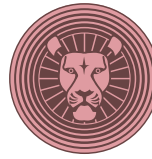


1219 mm

Item Number:

301-V48-BW/SL

JAMES MARTIN



VANITIES

Copper cove encore 1219mm Cabinet

Diagrams with Dimensions
page 01 of 01

